

2025

SPX 210 OUTBOARD



Sea Ray 

## *DESIGNED TO BE NOTICED*

---

The SPX® 210 Outboard delivers the ultimate in style, performance and fun. The vessel truly stands out, showcasing powerful propulsion and an extensive range of standard amenities. Sophisticated yet practical, it offers a reimagined self-bailing cockpit with roomier spaces, an intuitive helm that provides control at your fingertips, and features like a ski tow attachment and ski locker compartment that make watersports setup simple. From entertaining friends to wakeboarding the day away, the SPX 210 Outboard is ready to go wherever adventure leads.







2025 SPX 210 OUTBOARD

*Sea Ray*

# STANDARD SPECIFICATIONS



## STANDARD PROPULSION

Mercury® 150 FourStroke Outboard  
(150 hp / 112 kW) – black



## RANGE

135 mi / 217 km (cruising speed)  
100 mi / 161 km (WOT)



## DRAFT

31" / 79 cm (outboard down)  
15" / 38 cm (outboard up)



## CAPACITY

12 people / 1,660 lb / 753 kg  
Maximum: 2,034 lb / 923 kg



## CRUISING SPEED

23–25 mph / 37–40 kph



## LENGTH OVERALL

23'11" / 7.29 m with outboard



## DRY WEIGHT

3,470 lb / 1,574 kg



## WIDE OPEN THROTTLE (WOT)

42–44 mph / 68–71 kph



## BEAM

8'6" / 2.59 m



## WATER READY WEIGHT

4,138 lb / 1,877 kg (fully optioned)



## FUEL CAPACITY

37 gal / 140 L



## BRIDGE CLEARANCE

4'10" / 1.47 m without tower  
7'11" / 2.41 m with tower (optional)



## DEADRISE

19°



- 1) Speed determined by GPS. Fuel consumption based on total usage by engines. MPG computed from MPH and GPH. Range based on 90% of total fuel capacity.
- 2) The performance data shown is valid only for the specific boat tested and the conditions that existed when the test was performed. Many factors may affect performance, including but not limited to, installation of certain options; vessel loading and trim; weather and sea conditions; and engine, propeller, and hull bottom conditions. Sea Ray makes no performance guarantees.

## AT A GLANCE

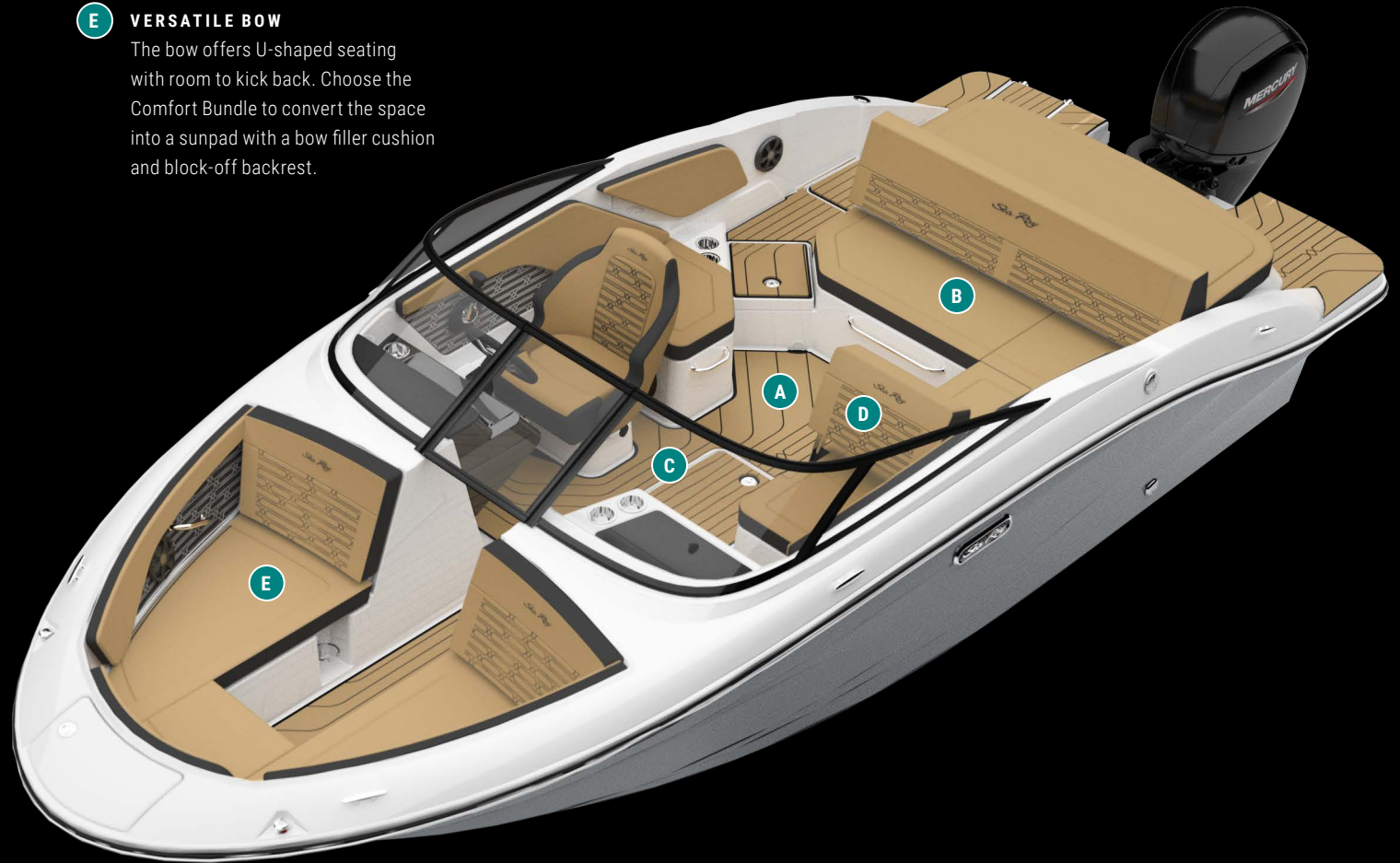
**A SELF-BAILING COCKPIT**  
For more enjoyable cruising, the boat is outfitted with drainage channeling to keep the cockpit dry and make cleanup easier.

**B COCKPIT SEATING**  
Delivering maximum comfort, the cockpit showcases luxurious seating with a quilted upholstery pattern and L-shaped bench seating optimized for space.

**C ELEVATED WINDSHIELD DESIGN**  
The cockpit has been enhanced with sophisticated yet practical details, such as a curved windshield designed for improved visibility.

**D PORT COMPANION SEAT**  
The port companion seat features a convertible backrest that transforms it from a forward-facing seat to an aft-facing lounger.

**E VERSATILE BOW**  
The bow offers U-shaped seating with room to kick back. Choose the Comfort Bundle to convert the space into a sunpad with a bow filler cushion and block-off backrest.





## AT A GLANCE

**A CONFIDENT CONTROL**  
Presenting simplified captaining, the helm is equipped with a Digital Dash, including a 7" Simrad® NSX® touchscreen display and Mercury® SmartCraft® Connect for intuitive engine monitoring.

**B FUSION® AUDIO**  
Set the mood for a wonderful day out on the waves with premium sound from the Fusion® stereo, or select the Entertainment Bundle for a Fusion® Premier audio system.

**C SKI & WAKEBOARD STORAGE**  
The full-sized locker compartment in the cockpit floor stores skis, boards, life jackets and other items when not in use.

**D PLUSH SUNPAD**  
The transom sunpad offers a backrest for more support when lounging in the sun or taking in the sights along the water.

**E OUTBOARD POWER**  
The boat is propelled by a standard Mercury® 150 FourStroke engine, or upgrade to a Mercury® 200 FourStroke engine with SmartCraft® Digital Throttle & Shift (DTS) for even more power.





2025 SPX 210 OUTBOARD

*Sea Ray*

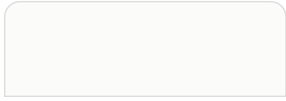






# COLORS & MATERIALS

## EXTERIOR COLOR SCHEMES



Arctic White (standard)



Onyx Black



Horizon



Sea Ray Blue



Rally Red



**FULL HULL**



**HULL SIDE**

*Hull bottom available in Arctic White or Onyx Black only*

## VINYL UPHOLSTERY COLORS



**Dune (standard)**  
*Tan base with black accents*



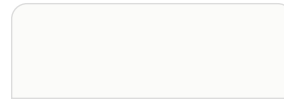
**Stone**  
*Light gray base with black accents*

## CANVAS



Sunbrella® Black

## BOW & COCKPIT FLOORING



Non-skid fiberglass (standard)



SeaDek® – Brown



SeaDek® – Gray

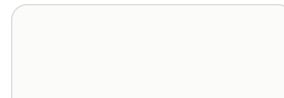


Infinity woven vinyl – Brown



Infinity woven vinyl – Gray

## SWIM PLATFORM FLOORING



Non-skid fiberglass (standard)



SeaDek® – Brown



SeaDek® – Gray

# STANDARD FEATURES

## BOW & COCKPIT

- Cup holders, stainless steel (9)
- Floor liner, fiberglass
- Lighting, LED (courtesy)
- Outlet, 12V accessory (helm)
- Outlets, USB-A & USB-C dual port (2)
- Self-bailing cockpit
- Vinyl, marine grade with mildew & UV protection

## DOORS

- Bow walkthrough with hinged windshield door
- Hatch for bilge access, gas-assisted

## SEATING

- Bow seating, U-shaped with removable cushions
- Cockpit social area
  - Aft L-shaped bench seating
  - Opposing starboard seat
- Helm bucket seat with swivel, slider & flip-up bolster
- Port companion seat with convertible backrest
- Sunpad

## STORAGE

- Bow storage (under seating)
- Cockpit storage (under seating)
- Cooler storage (cockpit)
- Integrated cooler or storage, fiberglass with drain (under cockpit seating)
- Side panel tubs (cockpit)
- Ski & wakeboard storage, gas-assisted (cockpit floor)

## HULL & DECK

- Cleats, stainless steel through-bolted (6") – 6
- Deck fill plate, stainless steel
- Drain plug, brass-threaded (garboard)
- Entry access (port & starboard)
- Eyes, stainless steel (bow & stern)
- Handrails, stainless steel (bow & cockpit)
- Horn, built-in
- Light, removable (stern)
- Lights, navigation (stainless steel)
- Rub rail, PVC with stainless steel insert
- Stringer system, fiberglass
- Swim platform, integral with deck-mounted stainless steel four-step swim ladder & grab handle
- Thru-hull fittings, stainless steel
- Windshield, tempered tinted curved glass

## STORAGE

- Anchor storage
- Glove box, lockable (port console door)
- Storage (transom walkway floor)
- Transom storage for gear with gas-assisted fiberglass lid (under sunpad)

## TECHNICAL

### ELECTRICAL

- Battery switch, single
- Fuse block

### FUSION® AUDIO SYSTEM

- AM/FM stereo (helm)
  - Bluetooth™
  - Digital Signal Processing (DSP)
  - Wi-Fi audio streaming with Apple AirPlay® 2
  - XS Series speakers (6.5") – 2 pairs

## HELM

- Alarm, engine (oil & water)
- Digital Dash (7")
  - Chartplotter with preloaded charts (North America only)
  - Mercury Marine® SmartCraft® Connect
  - Simrad® NSX® 7" touchscreen display
  - Transducer with depth, water temperature & fishfinder
- Mercury Marine® throttle & shift
- Steering, hydraulic with tilt wheel
- Switch panel with illuminated weatherproof chrome switches
- Tilt & trim, power

## MECHANICAL

### BILGE

- Bilge pump, 1100 GPH 12V automatic (aft)
- Bilge storage (aft)
- Vents, integral

### FUEL SYSTEM

- Evaporative emissions fuel system
- Fuel lines, USCG compliant
- Fuel tank with anti-siphon valve & electric sending unit

### UNDERWATER GEAR

- Propeller, aluminum

## TRAILER

- Trailer, 5,000 lb capacity tandem-axle (painted)
  - Brakes, single-axle free-backing hydraulic surge disc
  - Tongue, swing-away with swivel tongue jack



# OPTIONS & ACCESSORIES

## PROPULSION

- Mercury® 200 FourStroke Outboard (200 hp / 149 kW) – black or white
  - Mercury Marine® SmartCraft® Digital Throttle & Shift (DTS)
  - Active Trim speed-based automatic engine trim system with integrated GPS
  - Engine start / stop
  - Steering, power-assisted with tilt wheel

## BOW & COCKPIT

- Flooring, Infinity Luxury Woven Vinyl™ (snap-in)
- Flooring, SeaDek® (glue-down)
- Transom door, fiberglass

## HULL & DECK

- Ski tow pylon, removable

## TOPS & CANVAS

- Bimini top & boot with stainless steel ball & socket
- Mooring cover – black
- Watersports tower, manual with integrated Bimini top

## TECHNICAL

### ELECTRICAL

- Battery switch, dual

## MECHANICAL

### BILGE

- Storage caddy
- Storage insert, fiberglass

## TRAILERS

- Trailer, 5,000 lb capacity tandem-axle (galvanized)
  - Brakes, single-axle free-backing hydraulic surge disc
  - Tongue, swing-away with swivel tongue jack
- Trailer, 5,000 lb capacity tandem-axle (painted)
  - Brakes, tandem-axle free-backing hydraulic surge disc
  - Tongue, swing-away with swivel tongue jack
- Trailer, 5,000 lb capacity tandem-axle (galvanized)
  - Brakes, tandem-axle free-backing hydraulic surge disc
  - Tongue, swing-away with swivel tongue jack

# BUNDLES

## COMFORT BUNDLE

- Bow block-off backrest
- Filler cushion (bow)

## ENTERTAINMENT BUNDLE

### FUSION® PREMIER AUDIO SYSTEM UPGRADE

- Apollo™ SRX400 AM/FM stereo (helm)
  - Apollo™ Series amplifier, 5-channel (1600W)
  - Bluetooth™
  - Digital Signal Processing (DSP)
  - Signature Series speakers (6.5") – 2 pairs
  - Signature Series subwoofer (10")
- Wi-Fi audio streaming with Apple AirPlay® 2

### LIGHTING

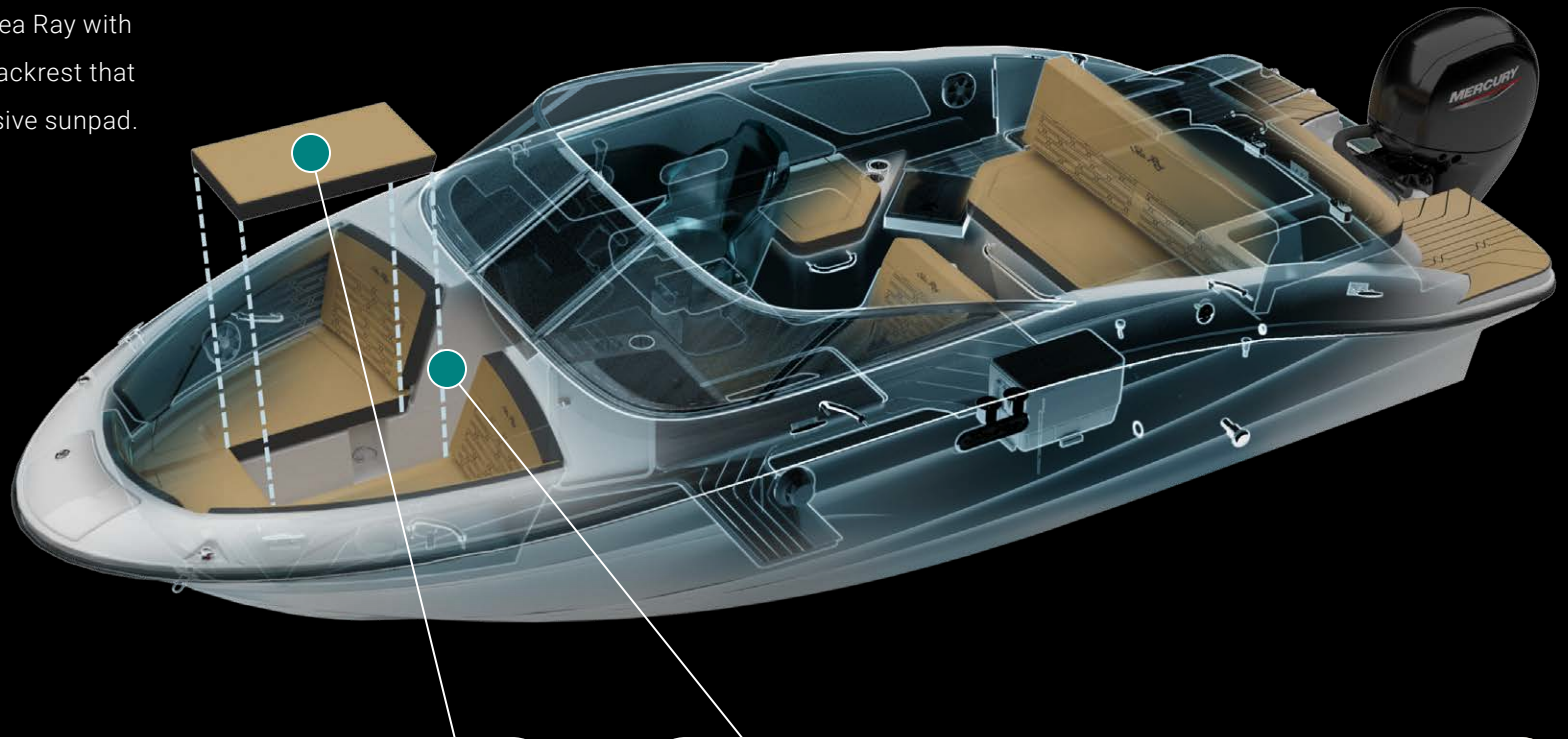
- Lighting package, LED – blue

## ESSENTIALS BUNDLE

- Cockpit & tonneau covers
- Fender clips, quick connect (4)
- Swim platform flooring, SeaDek® (glue-down)

## COMFORT BUNDLE

Add a touch of luxury to your Sea Ray with a filler cushion and block-off backrest that convert the bow into an expansive sunpad.



Bow filler cushion



Bow filler cushion and block-off backrest

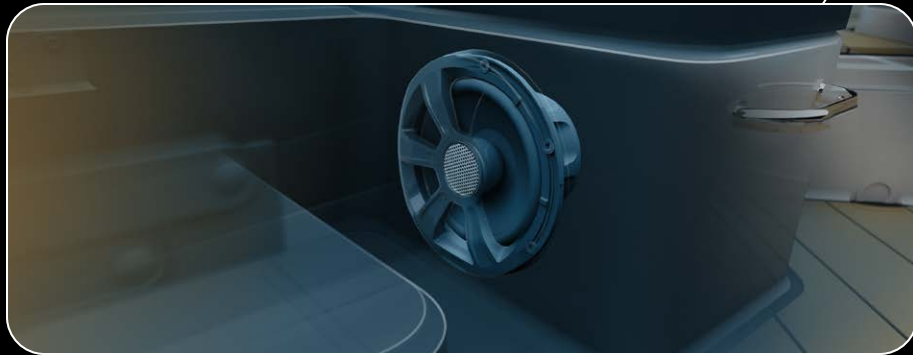
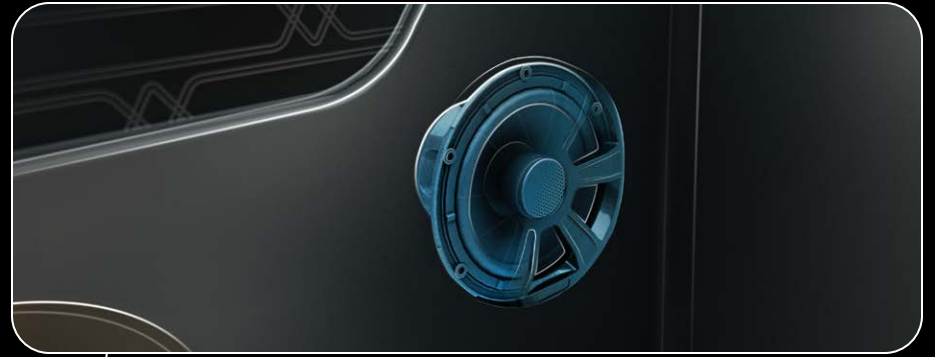
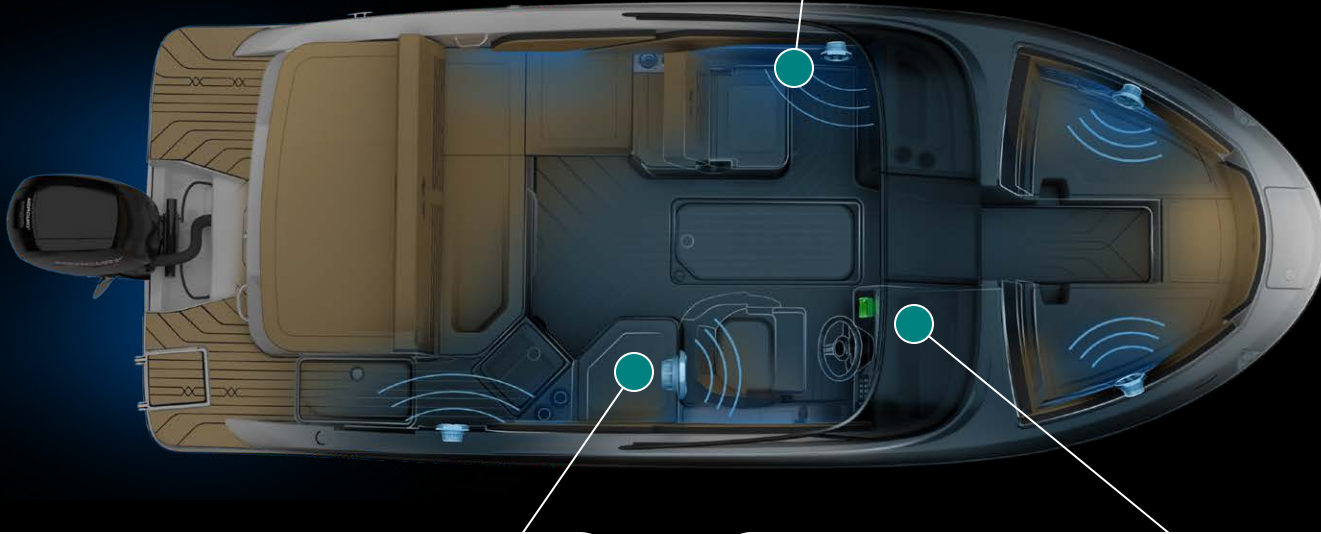


## ENTERTAINMENT BUNDLE

Elevate your experience on the water with the next level in marine audio entertainment from Fusion® and blue LED accent lighting.

Blue LED lighting package

Signature Series speaker



Signature Series subwoofer

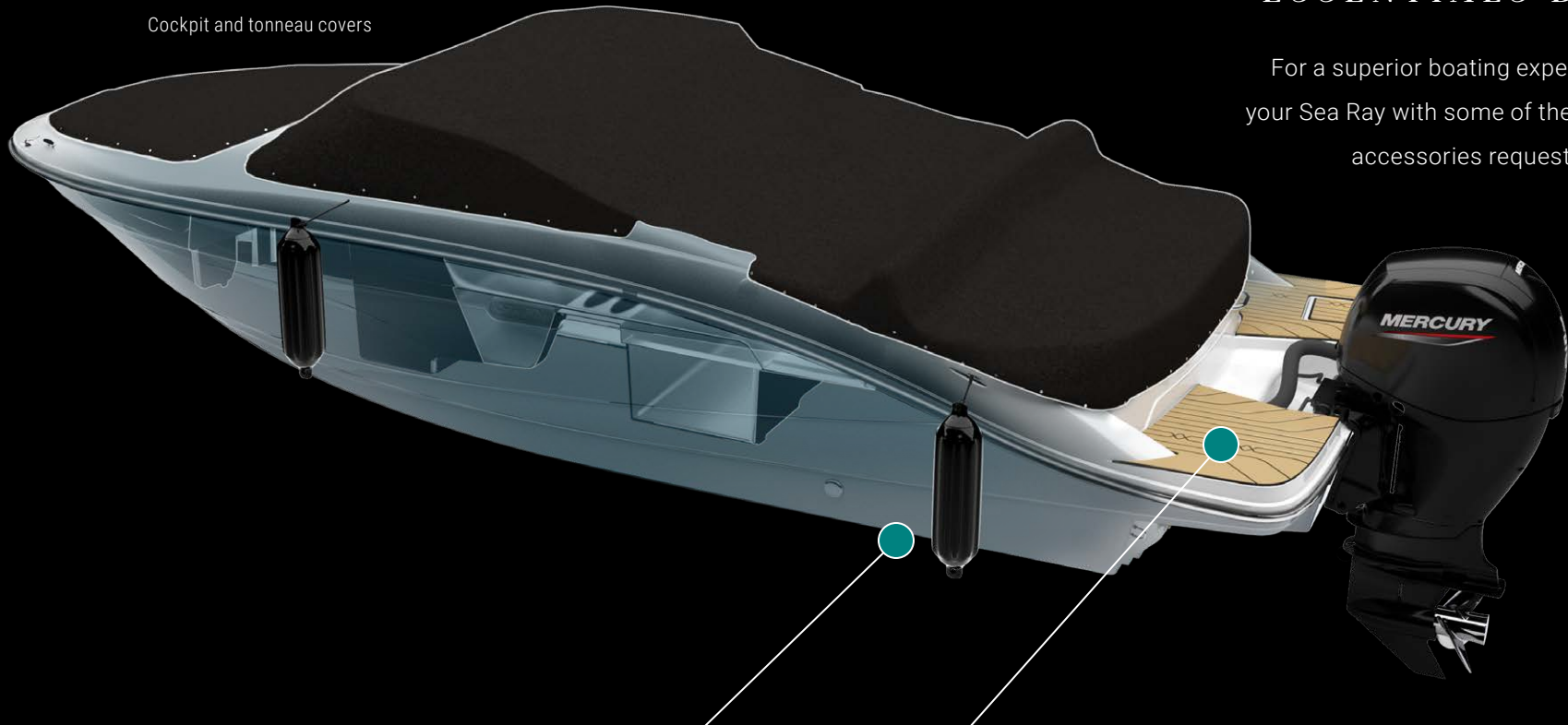


Fusion® Premier Audio system with Apollo™ SRX400 stereo

## ESSENTIALS BUNDLE

For a superior boating experience, elevate your Sea Ray with some of the most popular accessories requested by boaters.

Cockpit and tonneau covers



Quick connect fender clips



SeaDek® swim platform flooring



# LAYOUT



DECK / COCKPIT



AT SEA RAY, WE BELIEVE THAT RICHER MOMENTS ON THE  
WATER LEAD TO A RICHER LIFE. THAT'S WHY EVERYTHING  
WE DO IS DESIGNED TO MAKE EACH MOMENT EXCEPTIONAL.

02042025

© 2025 Sea Ray Boats | 800 South Gay Street, Suite 1500, Knoxville, TN 37929 | [searay.com](http://searay.com)

*Features, options and specifications are subject to change and may vary for different model years. Some accessories may not be available (a) as standard features or upgradeable options, or (b) when a boat is built for regions outside of North America and/or has CE certification. Confirm specifications and availability of features and options with an authorized Sea Ray dealer.*

