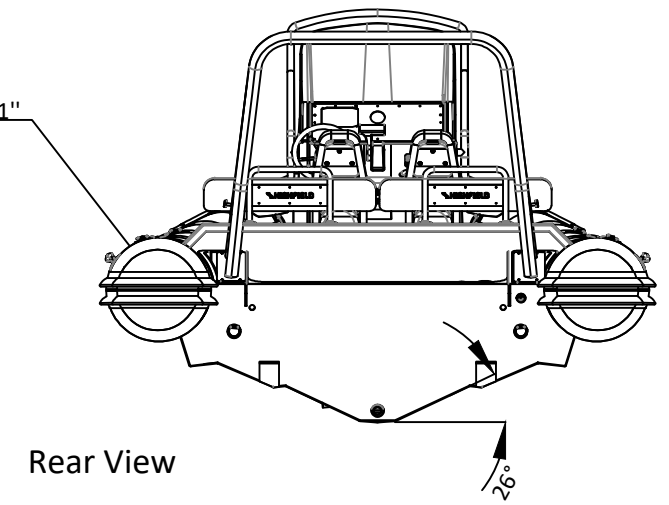
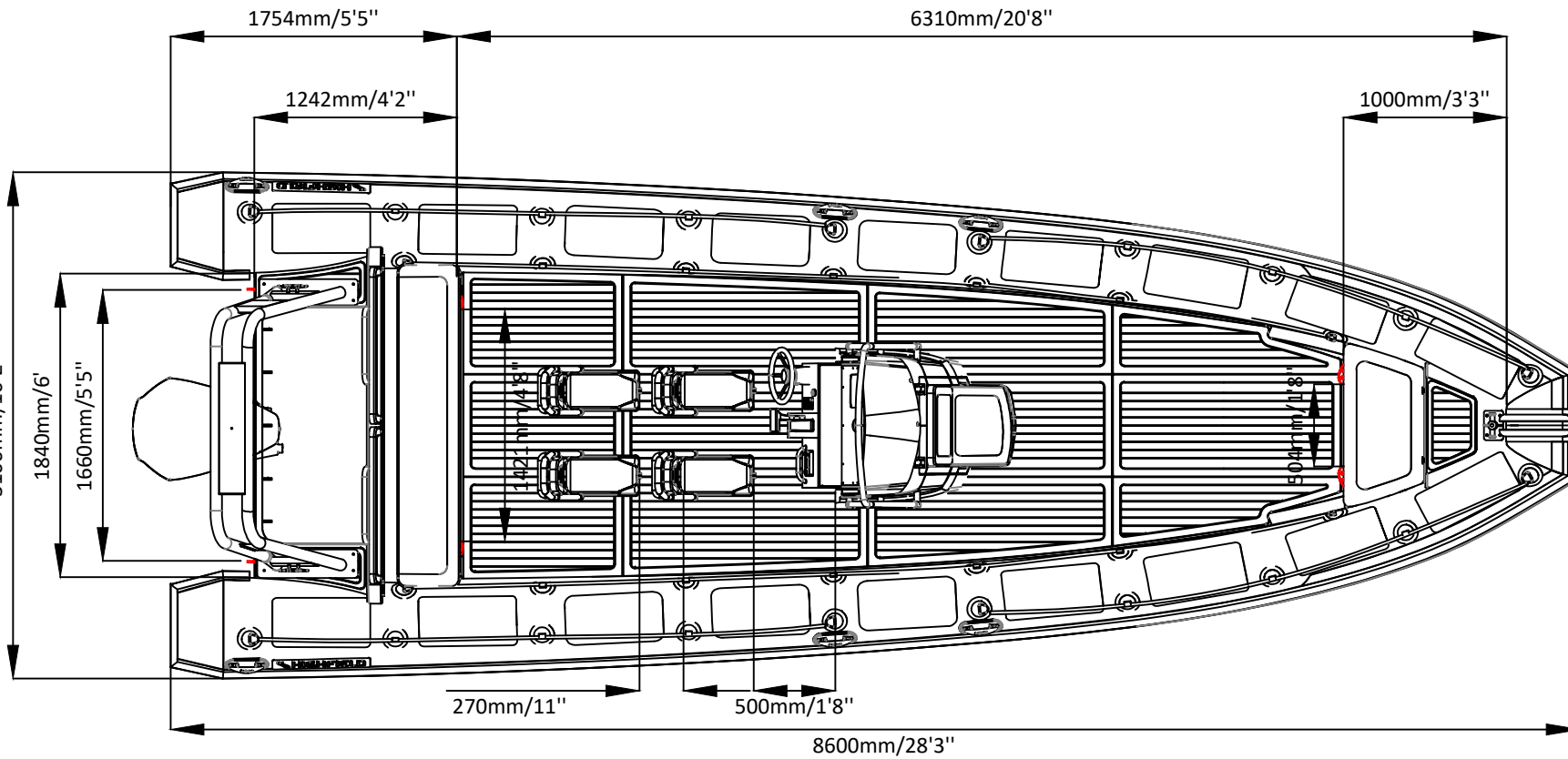
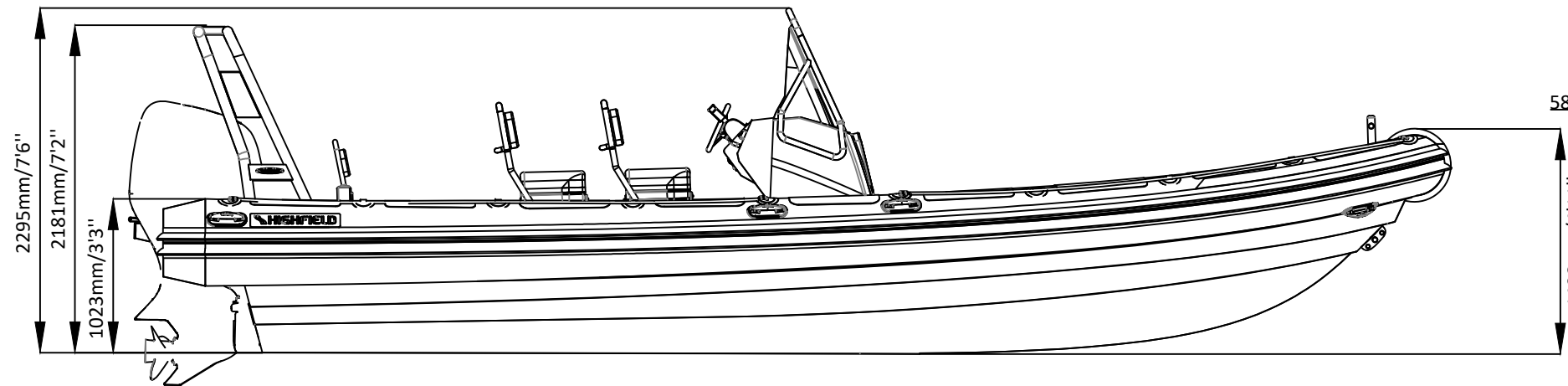
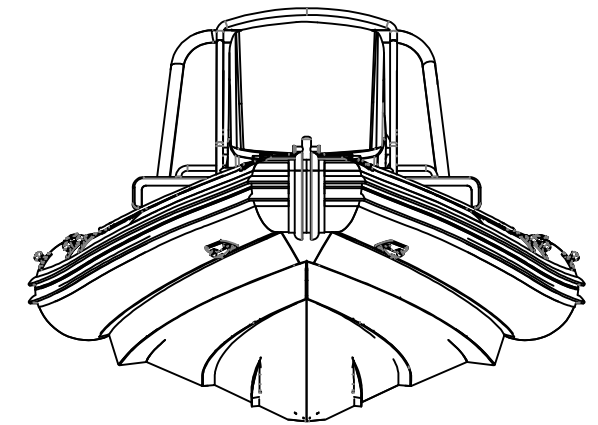


PATROL 860

SPECIFICATIONS



Rear View



Front View

SPECIFICATIONS AND MAXIMUM CAPACITIES (Subject to change without notice. Tolerances: Dimensions ±2.5% Weight ±5%)

MODEL	ISO 6185 PART	ISO 6185	Crew		#	Weight		Shaft	Outboard Engine		Shower kit		Fuel tank Capacity		Tow post		Rollbar		Wet Weight (Approximate) 425HP (317.05KW) +Fuel		AIR CHAMBERS	Pressure					
			KG	LB		KG	LB		Max power	Max weight	KG	LB	KG	LB	L	GAL	KG	LB	KG	LB		KG	LB	PSI	BAR		
PATROL 860	4	B	1593	3512	15	1125	2480	UL	317.05	425	432	952	1392	3069	/	/	430	94	/	/	26	57	2132	4700	6	3.63	0.25

Boat weight includes: console ,seat ,rollbar