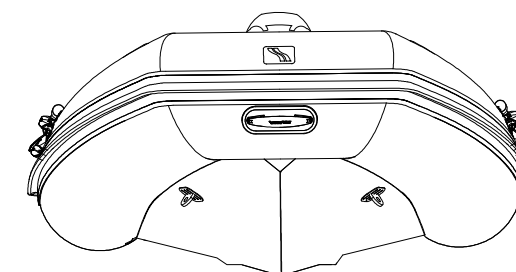
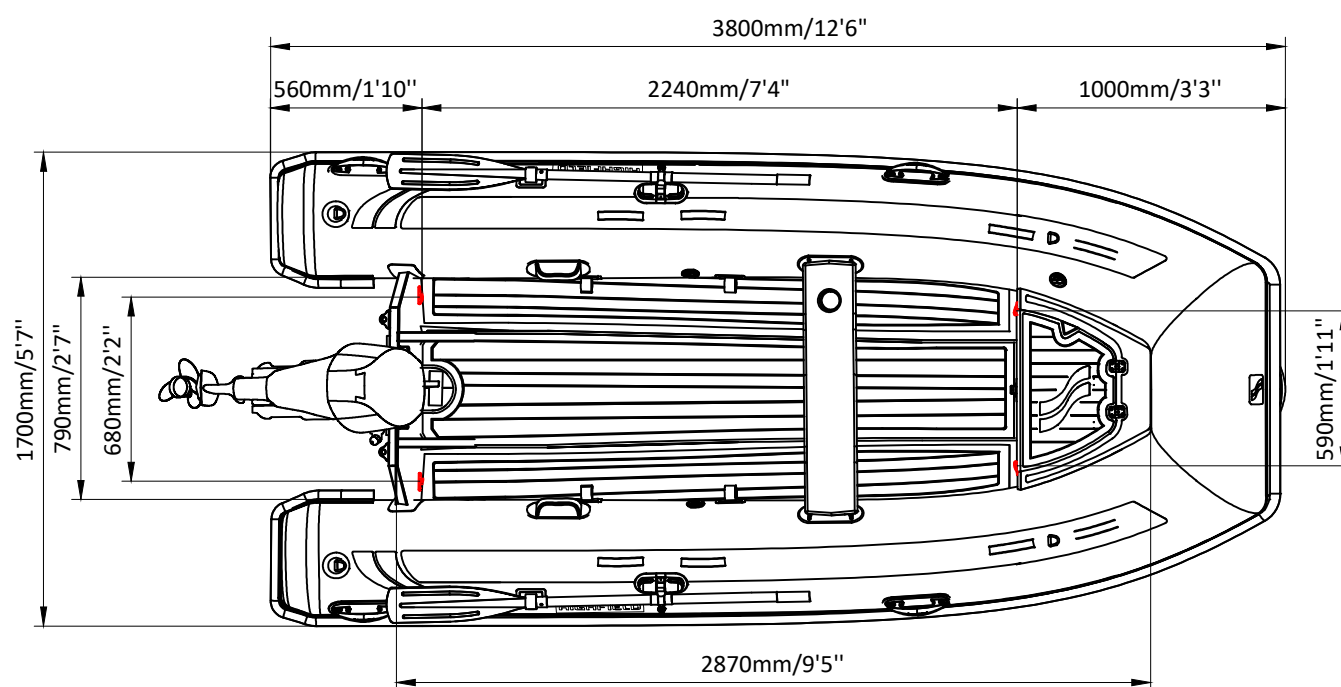
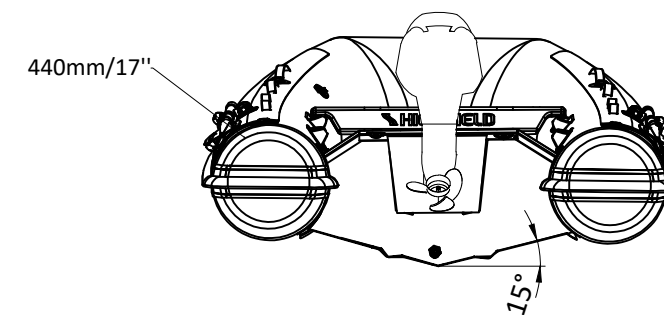
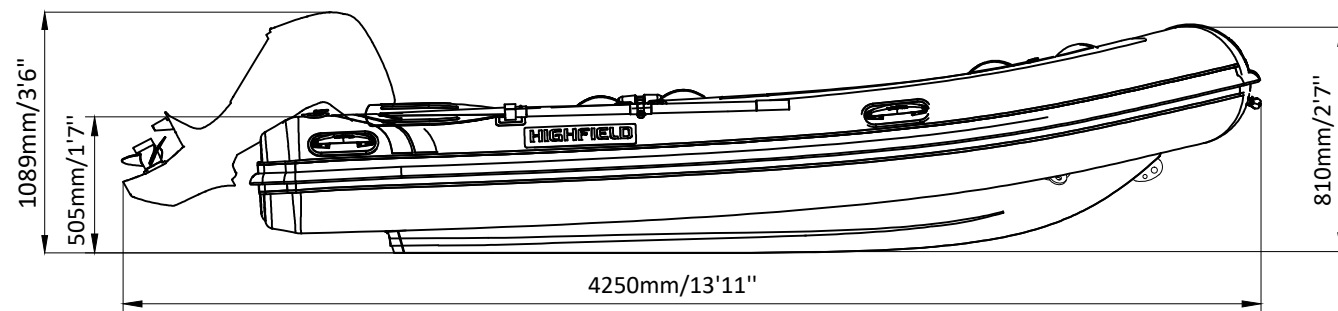


CLASSIC 380 LS

SPECIFICATIONS



SPECIFICATIONS AND MAXIMUM CAPACITIES (Subject to change without notice. Tolerances: dimensions ±2.5%, weights ±5%)

MODEL	ISO 6185 PART	ISO 6185			#			Shaft	Outboard Engine				Molded seat		Oars		/		Fuel tank Capacity		Wet Weight (Approximate) 30HP (22.38KW)		AIR CHAMBERS				
			KG	LB		KG	LB		KW	HP	KG	LB	KG	LB	KG	LB	L	GAL	KG	LB	PSI	BAR					
CL380LS	3	C	637	1404	7	525	1157	S	22.38	30	124.1	274	85	187	3	6.6	1.5	3.3	/	/	/	/	214	472	3	3.63	0.25

Weight: boat only.