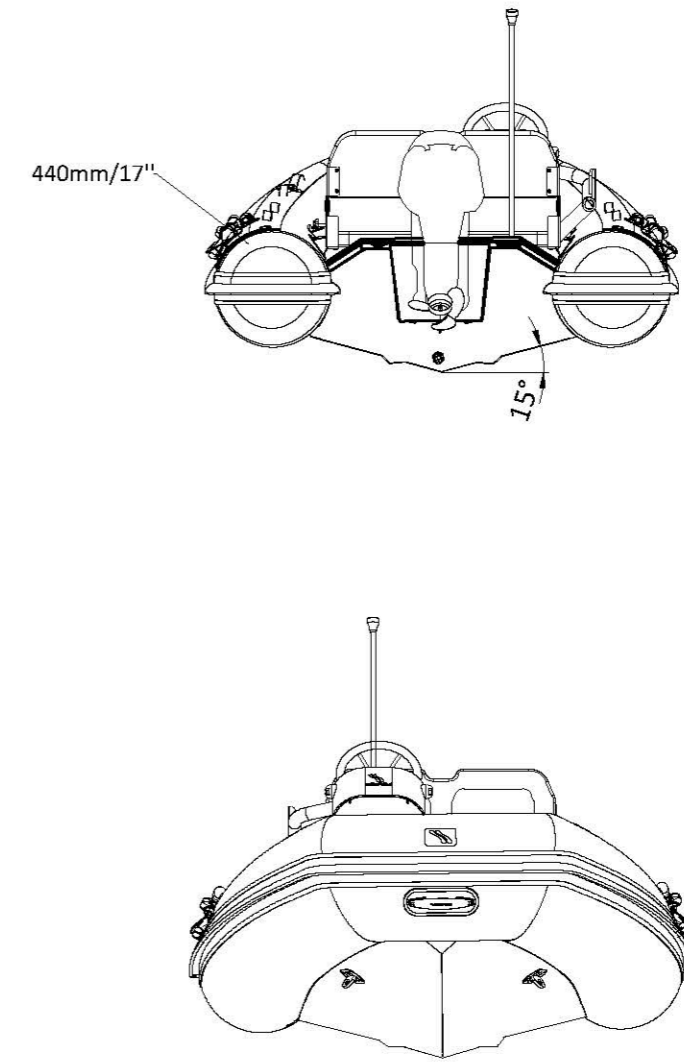
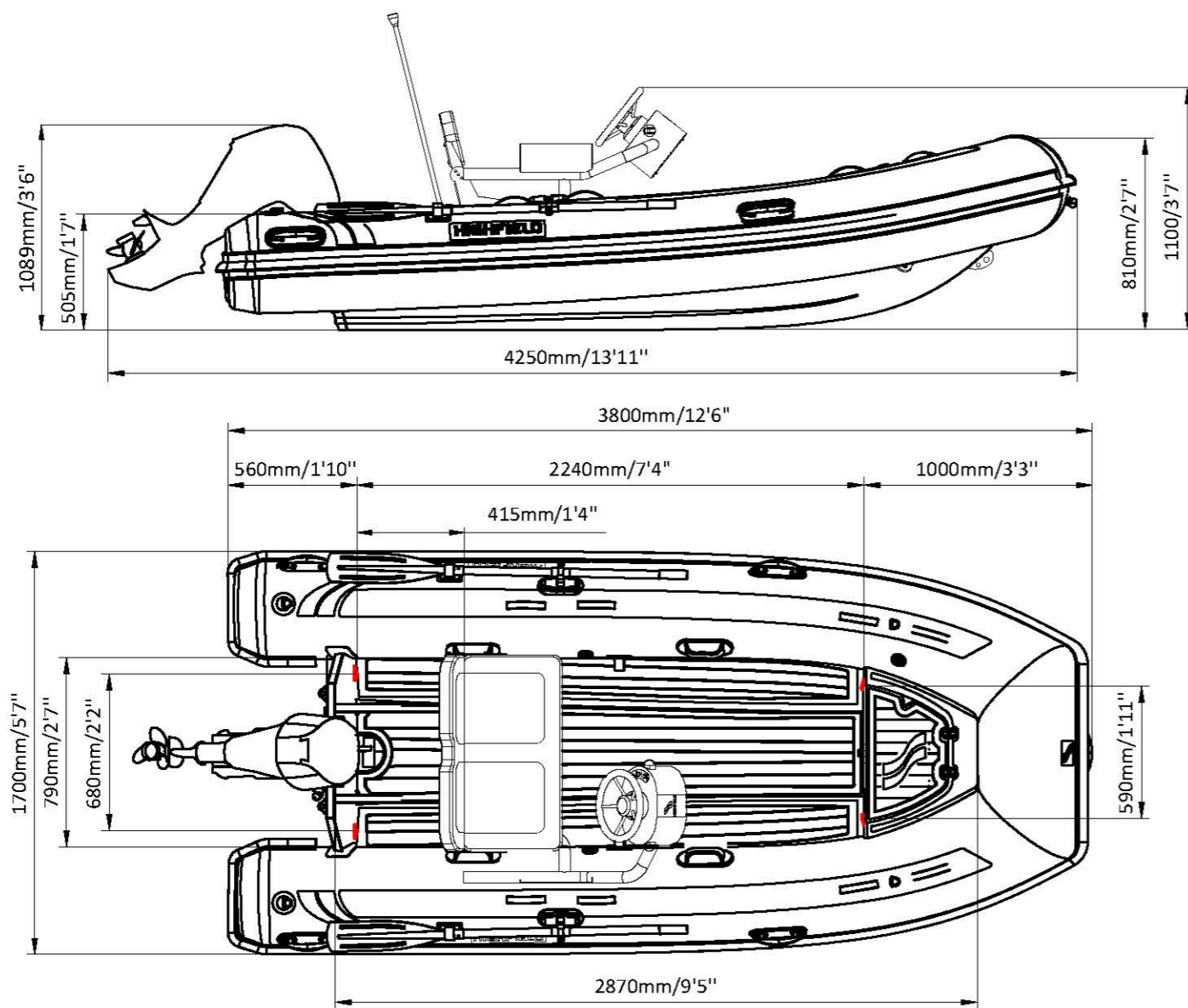


CLASSIC 380 LS

SPECIFICATIONS



SPECIFICATIONS AND MAXIMUM CAPACITIES (Subject to change without notice. Tolerances: dimensions ±2.5%, weights ±5%)

MODEL	ISO 6185 PART	ISO 6185	Crew		#	Weight		Shaft	Outboard Engine		FCT		Molded seat		Oars		Fuel tank Capacity		Wet Weight (Approximate) 30HP (22.38KW)		AIR CHAMBERS	Pressure					
			KG	LB		KG	LB		KG	LB	KG	LB	KG	LB	KG	LB	L	GAL	KG	LB		PSI	BAR				
CL380LS	3	C	637	1404	7	525	1157	S	22.38	30	124.1	274	85	187	36	79	3	6.6	1.5	3.3	/	/	250	551	3	3.63	0.25

Weight: boat only.