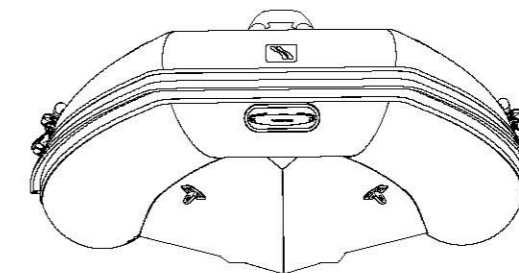
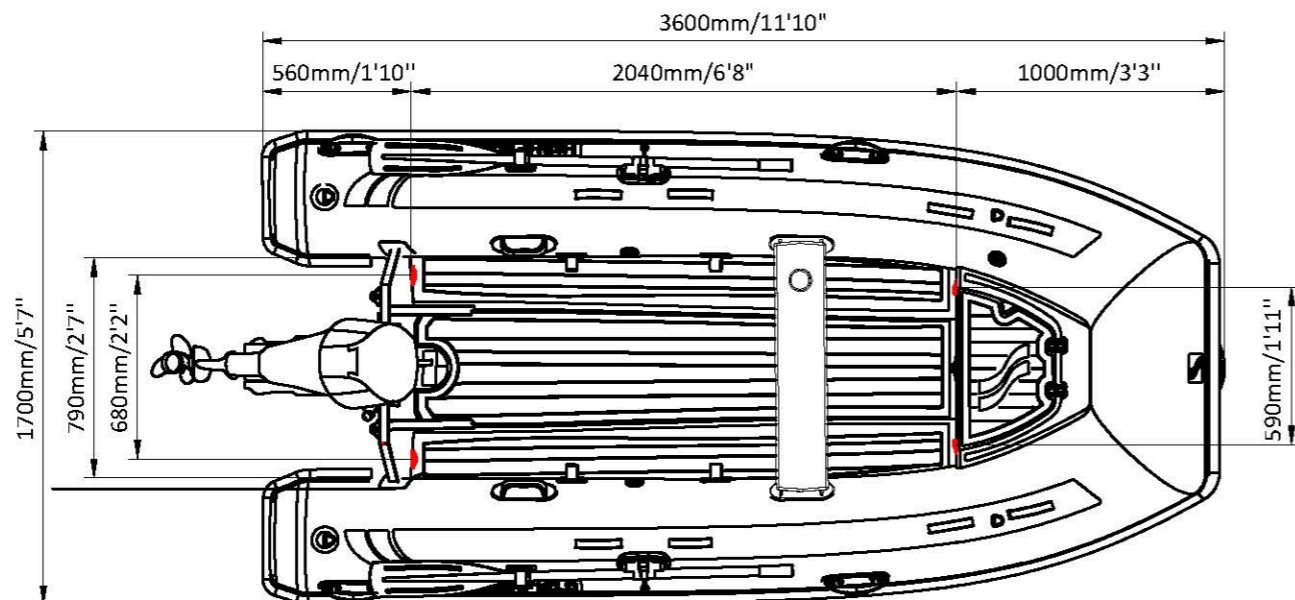
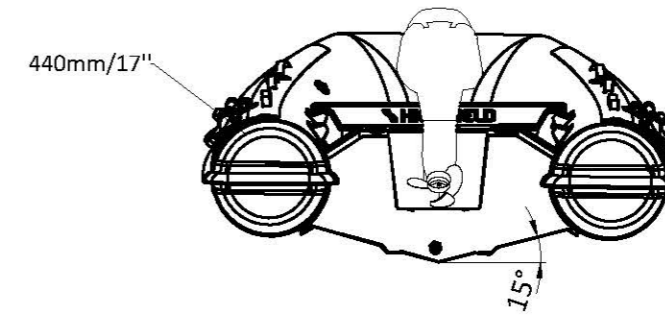
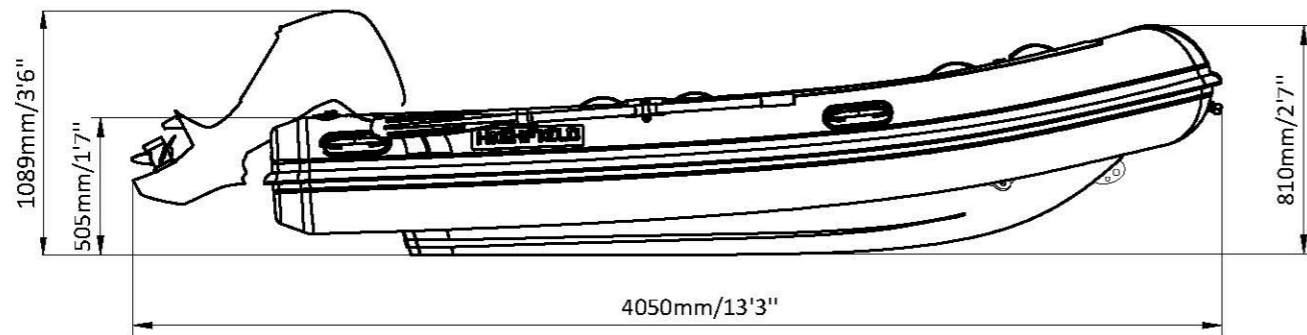


# CLASSIC 360 LS

# SPECIFICATIONS



SPECIFICATIONS AND MAXIMUM CAPACITIES (Subject to change without notice. Tolerances: dimensions ±2.5%, weights ±5%)

MODEL	ISO 6185 PART	ISO 6185	Person		#	Person		Shaft	Outboard Engine				Molded seat		Oars		/		Fuel tank Capacity		Wet Weight (Approximate) 30HP (22.38KW)		AIR CHAMBERS	Pressure			
			KG	LB		KG	LB		KW	HP	KG	LB	KG	LB	KG	LB	L	GAL	KG	LB	PSI	BAR					
			KG	LB		KG	LB																	KG	LB	KG	LB
CL360LS	3	C	561	1237	6	450	992	S	22.38	30	124.1	274	77	170	3	6.6	1.5	3.3	/	/	/	/	206	454	3	3.63	0.25

Weight: boat only.