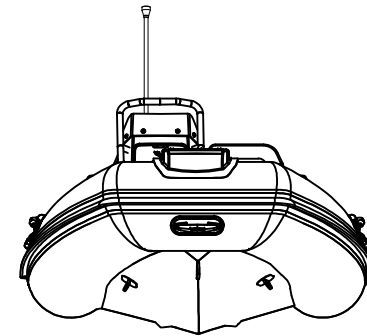
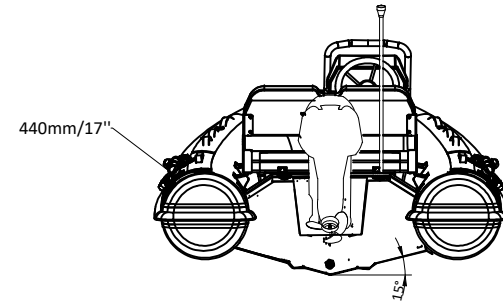
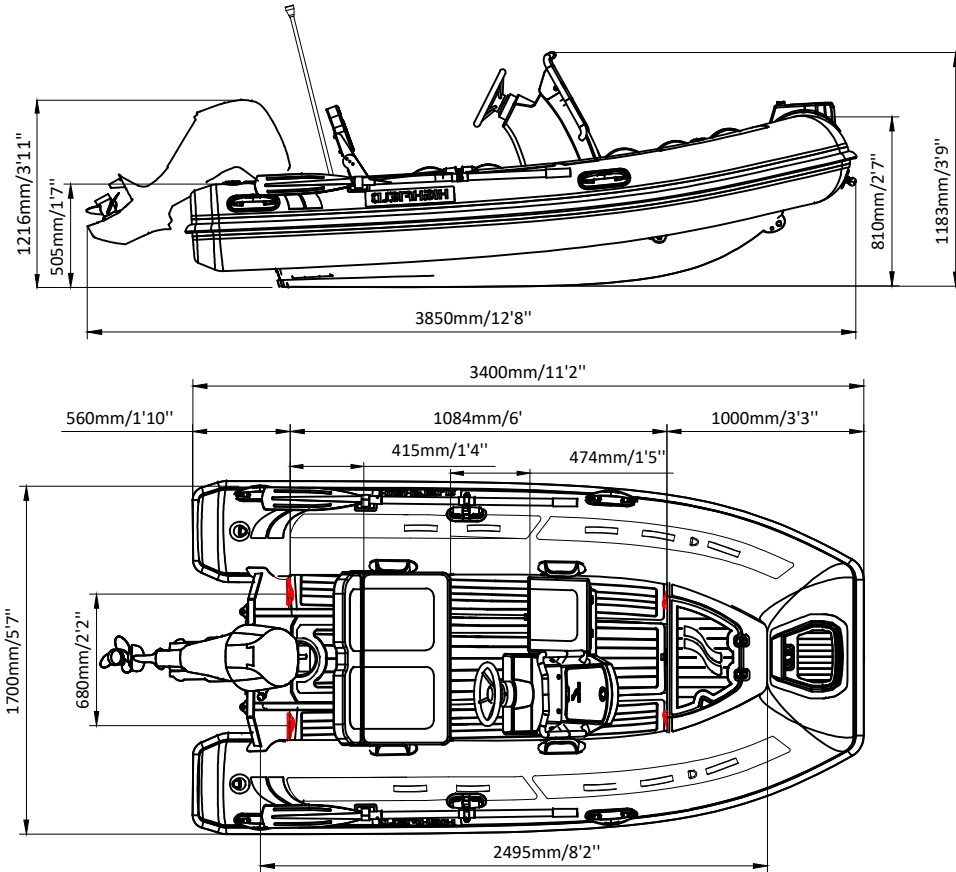


CLASSIC 340 LS

(Long Shaft)

SPECIFICATIONS



SPECIFICATIONS AND MAXIMUM CAPACITIES (Subject to change without notice. Tolerances: dimensions ±2.5%, weights ±5%) Note: red means lifting eyes.

MODEL	ISO 6185 PART	ISO 6185	Person		#	Person		Shaft	Outboard Engine				GT CONSOLE		RS7		Oars		Fuel tank Capacity		Wet Weight (Approximate) 20HP Tohatsu (+ 30lbs Yamaha 25hp)		AIR CHAMBERS	Pressure			
			KG	LB		KG	LB		Max power	Max weight	KG	LB	KG	LB	KG	LB	KG	LB	L	GAL	KG	LB		PSI	BAR		
									KW	HP	KG	LB															
CL340	3	C	551	1215	6	450	992	L	18.65	25	104.5	230	71	157	25.5	56	20.3	44.8	1.5	3.3	/	/	202	445	3	3.63	0.25

Weight: boat only.