
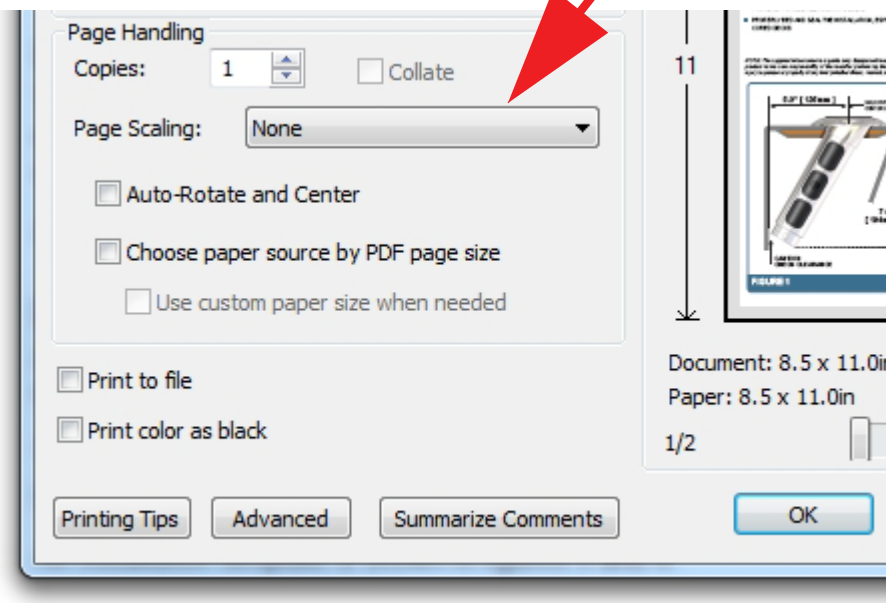


Printing Instructions

1. Mouse Click Print Icon. 
2. On Print Setup page make sure Page Scaling is set to none.
(See below)



3. After printing the mounting guide use an accurate ruler to verify that the 2 $\frac{5}{8}$ " measurements on the template are correct.



IMPORTANT

PLEASE READ THIS GUIDE COMPLETELY BEFORE INSTALLATION

READ BEFORE INSTALLATION

- ❑ CHECK UNDER THE GUNWALE FOR HIDDEN COMPONENTS, SUCH AS ELECTRICAL, HYDRAULIC, FUEL, OR STEERING LINES.
- ❑ ACCOUNT FOR ADEQUATE PRODUCT CLEARANCE. (SEE FIGURES IN THIS GUIDE)
- ❑ USE A BACKING PLATE AS REQUIRED.
- ❑ USE GALVANIC INSULATION GASKETS AS REQUIRED ON ALUMINUM BOATS. SEE BURNEWIIN #G610
- ❑ PROPERLY BED AND SEAL THE INSTALLATION, ESPECIALLY ON CORED DECKS.

LOCATING THE PRODUCT

To help determine the optimal and most versatile location for each product, review the “recommended configurations” drawing located on the website. (www.burnewiin.com)

Allow for sufficient clearance below the gunwale (**see figure 1**).

INSTALLATION

After drilling the center hole, additional material needs to be removed (**see figure 2**).

The amount of material removed on the underside varies with gunwale thickness (shown for 3/4" thick gunwales).

An installation template is shown in figure 3.

NEED MORE HELP?

Contact sales@burnewiin.com

NOTE: The supplied information is a guide only. Equipment installation is a job for a professional technician. The installation of any Burnewiin, Inc. ("Burnewiin") product is the sole responsibility of the installer performing the work. Burnewiin expressly disclaims any liability or responsibility whatsoever for damages or injury to person or property of any kind (whether direct, indirect, consequential or incidental) resulting or arising from the installation of any Burnewiin product.

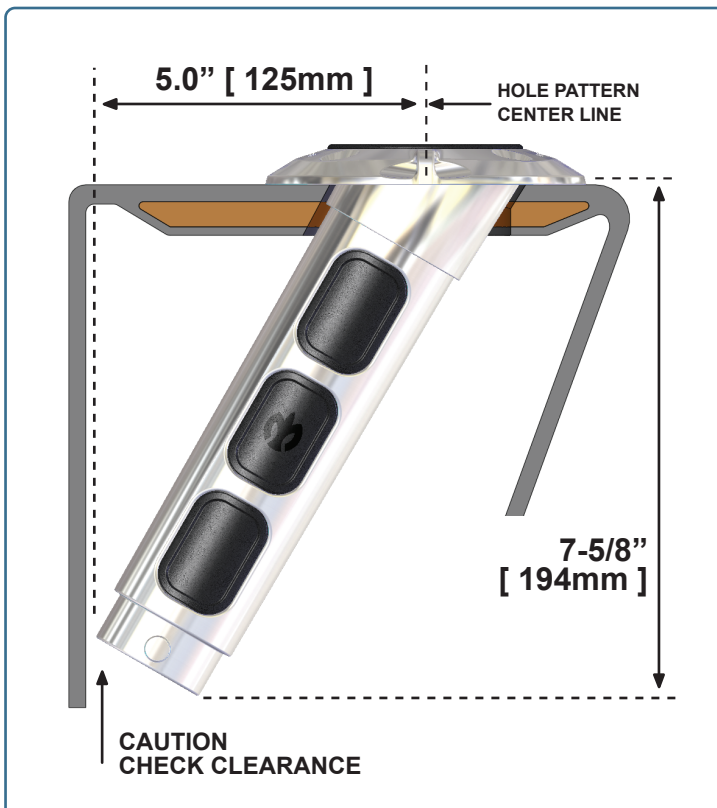


FIGURE 1

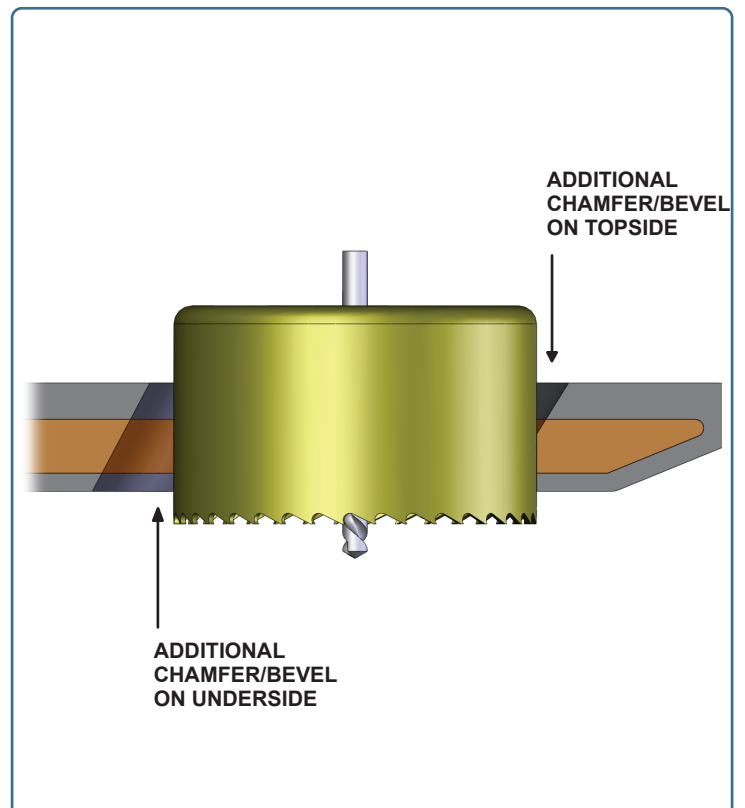


FIGURE 2

PROFESSIONAL MOUNTING GUIDE

RH5100 FLUSH ROD HOLDER 30°

IMPORTANT

MANUALLY VERIFY MEASUREMENTS ARE TO SCALE.

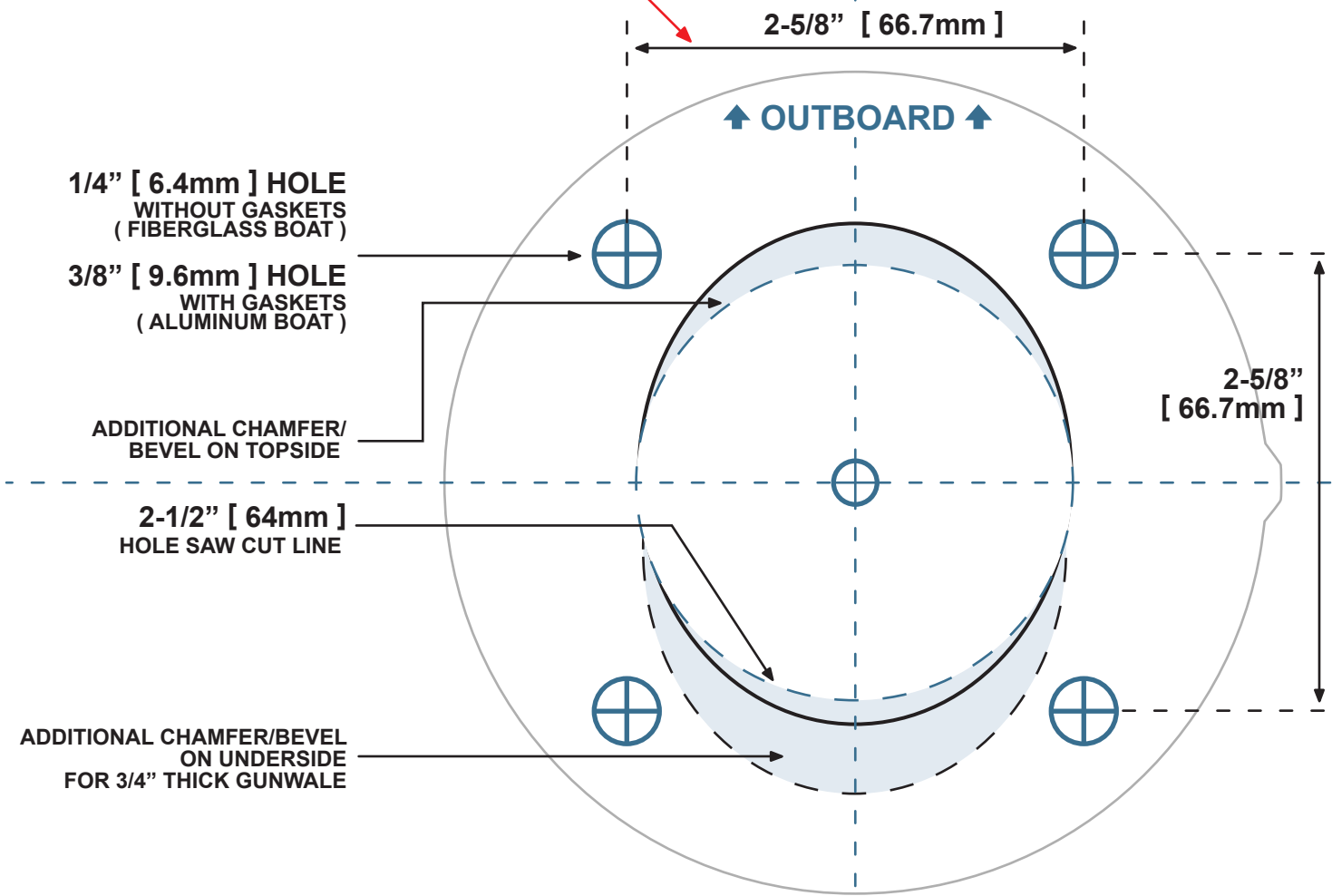


FIGURE 3
RH5100 HOLE PATTERN