



Husqvarna®

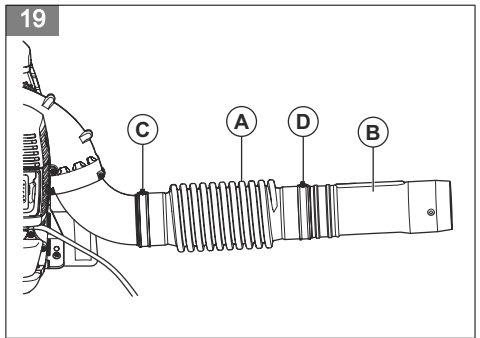
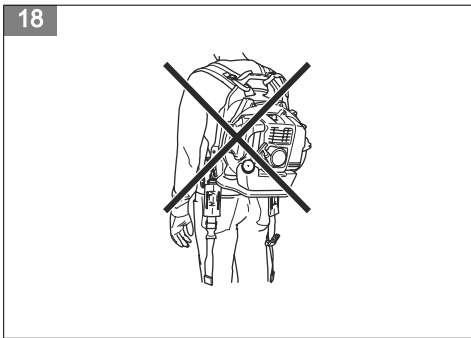
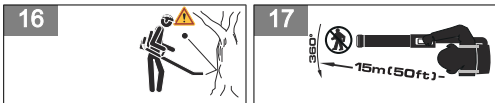
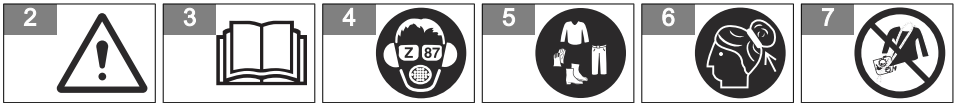
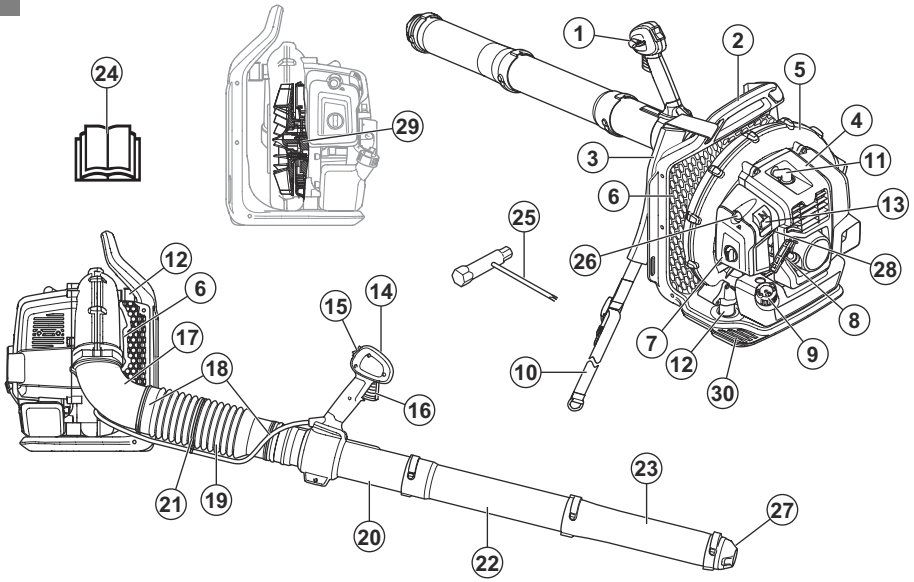


150BT

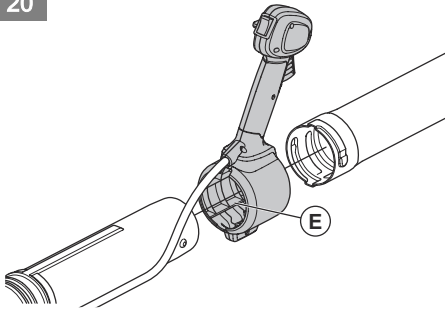
EN	Operator's manual
ES-MX	Manual de usuario
FR-CA	Manuel d'utilisation

6-16
17-28
29-40

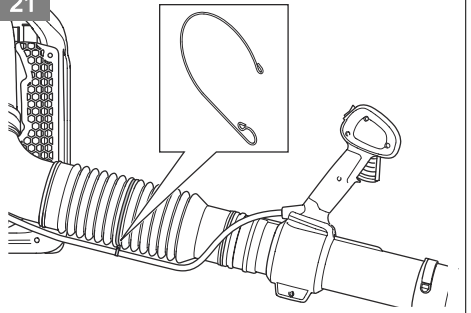
1



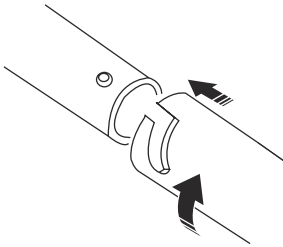
20



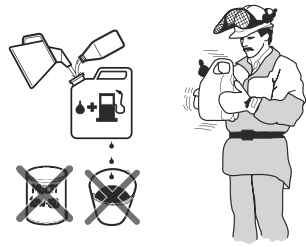
21



22



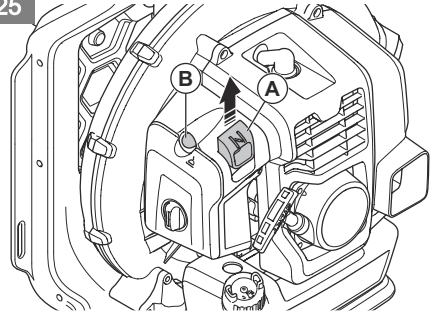
23



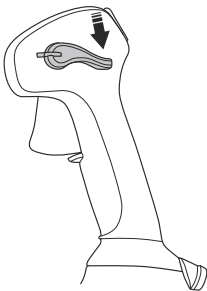
24



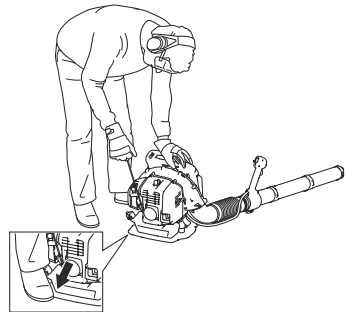
25



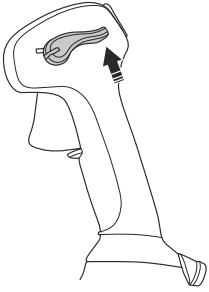
26



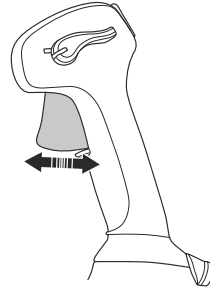
27



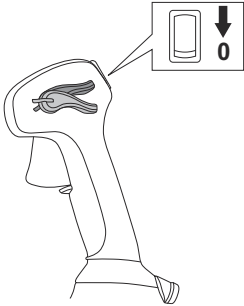
28



29



30



31



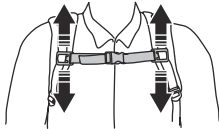
32



33



34



35



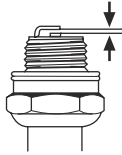
36



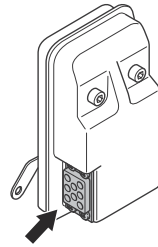
37



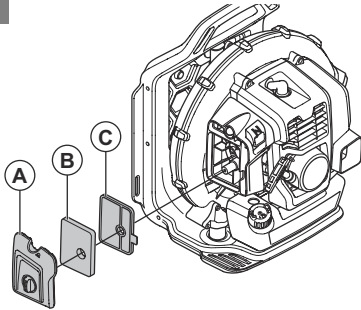
38



39



40



Contents

Introduction.....	6	Maintenance.....	12
Safety.....	7	Troubleshooting.....	14
Assembly.....	10	Transportation and storage.....	15
Operation.....	10	Technical data.....	16

Introduction

Product description

This product is a backpack blower with a fuel engine.

We have a policy of continuous product development and therefore reserve the right to modify the design and appearance of products without prior notice.

Product overview

(Fig. 1)

1. Throttle control lever
2. Frame
3. Harness
4. Engine cover
5. Fan cover
6. Air intake screen
7. Air filter
8. Starter rope handle
9. Fuel tank
10. Waist belt
11. Spark plug
12. Vibration damping system
13. Choke control
14. Control handle
15. Stop switch with throttle control
16. Throttle trigger
17. Pipe angle
18. Clamp
19. Flexible hose
20. Control pipe
21. Cable clamp
22. Intermediate pipe
23. Blower nozzle
24. Operator's manual
25. Combination wrench
26. Air purge bulb
27. High speed nozzle
28. Idle adjustment screw
29. Fan
30. Foot plate

Symbols on the product

(Fig. 2) **WARNING!** This product can be dangerous and cause serious injury or

Intended use

Use the product to blow leaves and other unwanted material from areas such as lawns, pathways and asphalt roads.

death to the operator or others. Be careful and use the product correctly.

(Fig. 3) Read the operator's manual carefully and make sure that you understand the instructions before use.

(Fig. 4) Use approved hearing protection and approved eye protection. If the environment contains dust, use a breathing mask.

(Fig. 5) Use approved protective gloves during operation and maintenance. Use protective boots or shoes with non-slip soles. Use clothing of strong fabric and of full length.

(Fig. 6) Make sure that long hair is put above your shoulders.

(Fig. 7) Do not wear jewelry or loose clothing during operation.

(Fig. 8) Mixture of gasoline and two-stroke oil.

(Fig. 9) Air purge bulb.

(Fig. 10) Keep all body parts away from hot surfaces.

(Fig. 11) Do not go near the impeller as it turns.

(Fig. 12) Choke, open position.

(Fig. 13) Choke, closed position.

(Fig. 14) Idle adjustment screw.

(Fig. 16)

Look out for thrown objects. Thrown objects can cause serious injury. Use personal protective equipment.

(Fig. 17)

Keep a safety distance at a minimum of 15 m to persons or animals.

yyyywwxxxx

The rating plate or the laser printing shows the serial number. **yyyy** is the production year and **ww** is the production week.

Note: Other symbols/decals on the product refer to certification requirements for other commercial areas.

EPA III

(Fig. 15)

The Emissions Compliance Period referred to on the Emission Compliance label indicates the number of operating hours for which the engine has been shown to meet Federal emissions requirement. Maintenance, replacement or repair of the emission control devices and system may be performed by any non-road engine repair establishment or individual.

EMISSION CONTROL LABEL ABBREVIATIONS					
General:					
CAL	California	EXH/EVP	Exhaust and Evaporative	REGS	Regulations
DISPL	Displacement	EVAP	Evaporative	SORE	Small off road engines
ECS	Emission control system	HRS	Hours	US EPA	United States Environmental Protection Agency

Exhaust emission control system:			
ECM	Engine control module (Autotune)	OC	Oxidizing Catalyst
EM	Engine modification	TWC	Three way catalyst

Evaporative emission control systems:			
C	Coextruded (Multi-layer)	P	Treated HDPE or PE
N	Nylon	S	Sealed

Product liability

As referred to in the product liability laws, we are not liable for damages that our product causes if:

- the product is incorrectly repaired.
- the product is repaired with parts that are not from the manufacturer or not approved by the manufacturer.
- the product has an accessory that is not from the manufacturer or not approved by the manufacturer.
- the product is not repaired at an approved service center or by an approved authority.

Safety

Safety definitions

The definitions below give the level of severity for each signal word.



WARNING: Injury to persons.



CAUTION: Damage to the product.

Note: This information makes the product easier to use.

General safety instructions



WARNING: Read the warning instructions that follow before you use the product.

- Do not do changes to the product without approval from the manufacturer and always use original accessories. Modifications and/or accessories that

are not approved can result in serious injury or the death of the operator or others.

- Do not use a damaged product. Do the safety checks and maintenance given in this operator's manual. All other maintenance must be done by approved servicing personnel.
- All servicing and repair operations must be done by approved servicing personnel. If a part of the product is defective, speak to your servicing dealer.

Vibration safety

This product is for occasional operation only. Continuous or regular operation of the product can cause "white finger" or equivalent medical problems from vibrations. Examine the condition of your hands and fingers if you operate the product continuously or regularly. If your hands or fingers have discoloration, have pain, tingle, or are numb, stop work and speak to a physician immediately.

Safety instructions for operation



WARNING: Read the warning instructions that follow before you use the product.

- This product can be dangerous and cause serious injury or death to the operator or others. Be careful and use the product correctly.
- Do an inspection of the product before use. Refer to *Maintenance on page 12*.
- Do not operate the product when you are tired, ill or under the influence of alcohol or other drugs that can decrease your vision, judgment or coordination.
- Install all covers and guards before use. To prevent electrical shock, make sure that the spark plug cap and ignition cable are not damaged.
- Do not touch the spark plug or ignition cable when the engine is on.
- Keep a safety distance at a minimum of 15 m to persons or animals. If persons, children or animals come nearer than 15 m, stop the product. Point the product away from persons, animals, open windows and other objects.
- Do not let children operate the product. Make sure that all operators read and understand the contents of this operator's manual.
- Keep hands or other objects away from the blower housing during operation. Rotating parts can cause serious injury.
- Do not use the product if the air intake screen is not installed. Always make sure that the air intake screen is installed and not damaged before use.
- If an emergency occurs, release the waist belt and chest belt of the harness and let the product fall.
- Obey national regulations and directives.
- Keep all body parts away from hot surfaces.

- Too much vibration can cause damage to the circulation or the nervous system. Speak to your physician if you have symptoms, for example numbness, loss of feeling, tingling, pricking, pain, loss of strength or changes in skin color in your fingers, hands or wrists.
- Look out for thrown objects. Thrown objects can cause serious injury.
- Do not use the product in bad weather, for example fog, rain, strong winds and too cold environments. To do work in bad weather can cause tiredness and dangerous conditions.
- Make sure that you can move and keep a stable position. Do a check of the work area for possible obstacles, for example rocks. Be careful if you operate the product on a slope.
- Do not put the product on the ground with the engine on.
- Do not operate the product from high positions, for example on a ladder.
- Make sure that you can always be heard if an accident occurs.
- Make sure that the exhaust fume outlet is not blocked. To prevent damage to the product, keep obstacles at a minimum distance of 50 cm from the exhaust fume outlet.
- Do not start the product indoors, in bad airflow or near flammable material. The engine exhaust fumes contain carbon monoxide, which can cause carbon monoxide poisoning. The engine exhaust fumes are hot and can contain sparks which can start a fire.

Personal protective equipment



WARNING: Read the warning instructions that follow before you use the product.

- Use approved personal protective equipment when you use the product. Personal protective equipment cannot fully prevent injury but it can decrease the degree of injury. Speak to your dealer for more information.
- Use approved hearing protection. Long-term exposure to noise can result in permanent hearing damage.
- Use approved eye protection. If you use a visor, you must also use approved protective goggles. Approved protective goggles must agree with the ANSI Z87.1 standard in the USA or EN 166 in EU countries.
- Use protective gloves during operation and maintenance.
- Use protective boots or shoes with non-slip soles.
- Use clothing of strong fabric and of full length. Do not use jewelry or open shoes. To decrease the risk on injury, your clothing must be close-fitting but not limit your movements. Put your hair above your

shoulders to prevent that your hair enters rotating parts or catches on branches.

- Use breathing protection when there is a risk of dust.
- Keep first aid equipment near.

Safety devices on the product



WARNING: Read the warning instructions that follow before you use the product.

- Do not use a product with defective safety devices.
- Do a check of the safety devices regularly. Refer to *Maintenance on page 12*.
- If the safety devices are defective, speak to your Husqvarna servicing dealer.

To do a check of the muffler



WARNING: Do not use a product with a defective muffler.



WARNING: The muffler becomes very hot during and after operation, also at idle speed. Use protective gloves to prevent burn injuries.



WARNING: The inner side of the muffler contains chemicals that may be carcinogenic. Do not touch the muffler if it is damaged.

- Regularly do a visual check of the muffler. The muffler keeps noise levels to a minimum and sends exhaust fumes away from the operator. Refer to *To examine and clean the cooling system on page 13*.

To do a check of the vibration damping system

1. Make sure that there are no cracks or deformation on the vibration damping units.
2. Make sure that the vibration damping units are correctly attached to the engine unit and handle unit.

Refer to *Product overview on page 6* for information about where the vibration damping system is on your product.

To do a check of the start/stop switch

1. Use the start/stop switch to stop the engine.
2. Make sure that the engine stops fully.

To see where the start/stop switch is on your product, refer to *Product overview on page 6*.

Harness safety

Always use the harness when you operate the product. If you do not use the harness, you cannot operate the product safely. This can result in injury to you or other persons. Make sure that the waist belt and chest strap are attached and correctly adjusted. There is a risk that an open belt can go into the fan of the product.

(Fig. 18)

Fuel safety



WARNING: Read the warning instructions that follow before you use the product.

- Do not mix or add the fuel indoors or near a heat source.
- Do not start the product if there is fuel or oil on the product or on your body.
- Do not start the product if the engine has a fuel leak. Examine the engine for fuel leaks regularly.
- Always be careful with fuel. Fuel is flammable and the fuel fumes are explosive and can cause serious injury or death.
- Do not breathe in the fuel fumes, it can cause injury. Make sure that there is a sufficient airflow.
- Do not smoke near the fuel or the engine.
- Do not put the product or a fuel container near warm objects, an open flame, a spark or a pilot light.
- Always use approved containers for storage and transportation of fuel.

Safety instructions for maintenance



WARNING: Read the warning instructions that follow before you use the product.

- Stop the engine, remove the spark plug and let the engine become cool before maintenance and assembly.
- A blocked spark arrestor screen causes the engine to become too hot which causes damage to the engine.
- If the spark arrestor screen is frequently blocked, it can be a sign that performance of the catalytic converter is decreased. Speak to your servicing dealer to examine the muffler.

Assembly

Introduction



WARNING: Read and understand the safety chapter before you assemble the product.

To assemble the blower pipe and the control handle on the product

Note: Lubricate the tubes and flexible hose to make them easier to assemble.

1. Attach the flexible hose (A) to the pipe angle and the control pipe (B) with the clamps (C) and (D). (Fig. 19)

2. Attach the handle holder (E) to the control pipe. Align the handle holder with the flange on the control pipe. (Fig. 20)
3. Adjust the position of the control handle to a safe and correct work position. Tighten the knob.
4. Attach the cable to the flexible hose with the cable clamp. (Fig. 21)
5. Attach the intermediate pipe to the control pipe. (Fig. 22)
6. Attach the blower nozzle to the intermediate pipe.

Note: The blower nozzle can only be installed on the intermediate pipe.

7. For higher air speed, attach the high speed nozzle to the blower nozzle.

Operation

Introduction



WARNING: Read and understand the safety chapter before you use the product.

Fuel

This product has a two-stroke engine.



CAUTION: Incorrect type of fuel can result in engine damage. Use a mixture of gasoline and two-stroke oil.

Two-stroke oil

- For best results and performance use Husqvarna two-stroke oil.
- If Husqvarna two-stroke oil is not available, use a two-stroke oil of good quality for air-cooled engines. Speak to your servicing dealer to select the correct oil.



CAUTION: Do not use two-stroke oil for water-cooled outboard engines, also referred to as outboard oil. Do not use oil for four-stroke engines.

Premixed fuel

- Use Husqvarna premixed alkylate fuel for best performance and extension of the engine life. This fuel contains less harmful chemicals compared to regular fuel, which decreases harmful exhaust fumes. The quantity of remains after combustion is lower with this fuel, which keeps the components of the engine more clean.

To mix fuel

Gasoline

- Use good quality unleaded gasoline with a maximum of 10% ethanol contents.



CAUTION: Do not use gasoline with an octane grade less than 90 RON/87 AKI. Use of a lower octane grade can cause engine knocking, which causes engine damages.

To mix gasoline and two-stroke oil

Gasoline, liter	Two-stroke oil, liter
	2% (50:1)
5	0.10
10	0.20
15	0.30
20	0.40
US gallon	US fl. oz.
1	2 ½
2 1/2	6 ½
5	12 ¾



CAUTION: Small errors can influence the ratio of the mixture drastically when you mix small quantities of fuel. Measure the quantity of oil carefully and make sure that you get the correct mixture.

(Fig. 23)

1. Fill half the quantity of gasoline in a clean container for fuel.
2. Add the full quantity of oil.
3. Shake the fuel mixture.
4. Add the remaining quantity of gasoline to the container.
5. Carefully shake the fuel mixture.



CAUTION: Do not mix fuel for more than 1 month at a time.

To fill the fuel tank



WARNING: Obey the procedure that follows for your safety.

1. Stop the engine and let the engine become cool.
2. Clean the area around the fuel tank cap. (Fig. 24)
3. Shake the container and make sure that the fuel is fully mixed.
4. Remove the fuel tank cap slowly to release the pressure.
5. Fill the fuel tank.



CAUTION: Make sure that there is not too much fuel in the fuel tank. The fuel expands when it becomes hot.

6. Tighten the fuel tank cap carefully.
7. Clean fuel spillage on and around the product.
8. Move the product 3 m/10 ft or more away from the refueling area and fuel source before you start the engine.

Note: To see where the fuel tank is on your product, refer to *Product overview on page 6*.

To start a cold engine



WARNING: Air is released as soon as the engine is started, even when it idles. Do not let anyone stand close to the blower or the blower tube.

1. If the engine is cold, put the choke control (A) to the closed choke position. Refer to *Symbols on the product on page 6*. (Fig. 25)
2. Push the air purge bulb (B) again and again for a minimum of 10 times and fuel starts to fill the air purge bulb. It is not necessary to fill the air purge bulb fully.
3. Put the throttle control in the fast idle position. Align the guide marks on the throttle control lever and the control handle. (Fig. 26)
4. Put the product on a flat surface on the ground.
5. Hold the product with the left hand and put your foot on the foot plate. (Fig. 27)
6. Pull the starter rope handle slowly with the right hand until resistance occurs.

Note: Do not pull the starter rope handle to full extension and do not let go of the starter rope handle.

7. Pull the starter rope handle quickly with the right hand until the engine starts or attempts to start, maximum 6 times. If the engine starts, move the choke lever gradually to the open position and continue to step 11. If the engine does not start, continue to step 9.
8. When the engine attempts to start, move the choke lever gradually to the open position.
9. Pull the starter rope handle quickly with the right hand until the engine starts, maximum 6 times.



Note: If the engine does not start, repeat the starting instructions from step 1.

10. Let the engine run for 30 seconds.
11. Put the throttle control at idle speed. (Fig. 28)
12. Push the throttle trigger to adjust the blower speed. Refer to *To use the throttle trigger on page 11*.

To start a warm engine

- If the ambient temperature is below 32°C / 90°F, use the same starting procedure as *To start a cold engine on page 11* but do not put the choke control in the closed choke position.
- If the ambient temperature is above 32°C / 90°F, use the same starting procedure as *To start a cold engine on page 11*.

To use the throttle trigger

- To increase the blower speed during operation, push the throttle trigger until you get the correct speed. (Fig. 29)
- To decrease the blower speed during operation, release the throttle trigger until you get the correct speed.

To start the engine when the fuel is too hot

If the product does not start, the fuel can be too hot.

Note: Always use new fuel and decrease the operation time during warm weather.

1. Put the product in a cool area away from open sunlight.
2. Let the product cool down for 20 minutes at minimum.
3. Press the air purge bulb again and again for 10-15 seconds.
4. Obey the procedure to start a cold engine. Refer to *To start a cold engine on page 11*.

To operate the product

- Operate the product at usual work hours. Obey local regulations.
- Decrease the pieces of equipment and select the correct speed for your task. Use the throttle at lowest position possible to prevent more noise and dust than necessary.
- Keep the blower nozzle near the ground.

Note: Husqvarna recommends that you use the full blower nozzle extension.

- Make a note of the wind direction and operate the product in the direction of the wind.
- Use applicable garden tools to release material from the ground.

- In areas with dust, use spray equipment to wet the area. This decreases the operation time.
- After operation, keep the product in storage vertically.

To stop the product



CAUTION: Do not stop the product at full speed.

1. Push the stop switch. (Fig. 30)

Note: When the product stops, you can hear a knock sound. This is typical and is not an indication of a defective product.

To adjust the harness

1. Put on the harness of the product.
2. Put the waist belt around your waist and connect the belt buckle for the waist strap. (Fig. 31)
3. Tighten the waist belt strap. (Fig. 32)
4. Connect the belt buckle for the chest strap. (Fig. 33)
5. Adjust the position of the chest strap. (Fig. 34)
6. Tighten the chest strap. (Fig. 35)
7. Tighten the shoulder straps until the product is tight against your body. (Fig. 36)
8. Tighten the load lifter straps. (Fig. 37)

Maintenance

Introduction



WARNING: Read and understand the safety chapter before you do maintenance on the product.

Maintenance schedule

Maintenance	Daily	Weekly	Monthly
Clean the external surfaces.	X		
Make sure that the control handle operates correctly.	X		
Make sure that the start/stop switch operates correctly. Refer to <i>To do a check of the start/stop switch on page 9</i> .	X		
Examine the engine, the fuel tank and the fuel lines for leaks. Examine the fuel filter for contamination. Replace the fuel filter if it is necessary.	X		
Clean the air filter. Replace the air filter if it is necessary.	X		

Maintenance	Daily	Weekly	Monthly
Tighten nuts and screws.	X		
Examine the air intake and make sure that it is not blocked.	X		
Examine the starter and the starter rope for damages.		X	
Examine the vibration damping units for damages, cracks and deformation. Make sure that the vibration damping units are correctly installed.		X	
Examine the spark plug. Refer to <i>To do a check of the spark plug on page 13</i> .		X	
Clean the cooling system.		X	
Clean the external surface of the carburetor and the area around it.		X	
Clean the fuel tank.			X
Examine all cables and connections.			X
Examine and clean the spark arrester screen on the muffler (for products without catalytic converter).		X	
Examine and clean the spark arrester screen on the muffler (for products with catalytic converter).			X
Examine the spark plug. Replace if it is necessary.			X

To adjust the idle speed

1. Make sure that the air filter is clean and that the air filter cover is attached.
2. Adjust the idle speed with the idle speed screw. To see where the idle speed screw is on your product, refer to *Product overview on page 6*.

To do a check of the spark plug



CAUTION: Use the recommended spark plug. Refer to *Technical data on page 16*. An incorrect spark plug can cause damage to the product.

1. Stop the engine and let the product become cool.
2. Clean the spark plug if it is dirty.
3. Make sure that the electrode gap is correct. Refer to *Technical data on page 16*. (Fig. 38)
4. Replace the spark plug monthly or more frequently if it is necessary.

To do maintenance on the muffler



CAUTION: If the spark arrester screen is frequently blocked, it can be a sign that performance of the catalytic converter is decreased. Speak to your servicing dealer to examine the muffler. A blocked spark arrester screen causes overheating and results in damage to the cylinder and piston.



CAUTION: The spark arrester screen must be replaced if it is damaged. Do not use a product if the spark arrester screen on the muffler is missing or defective.

- Clean the spark arrester screen on the muffler. Use a wire brush. (Fig. 39)
- Let a servicing dealer replace or do service on the muffler and the spark arrester screen after 50 hours of operation.

To examine and clean the cooling system

The cooling system includes the cooling fins on the cylinder and the air intake screen.

1. Stop the engine.
2. Make sure that the cooling system is not dirty or blocked. If it is necessary, clean the air intake screen and cooling fins.



CAUTION: A dirty or blocked cooling system can increase the temperature of the engine and cause damage to the product. A clogged air intake screen decreases the blow force.

3. Examine the cooling system for damages. Make sure that the parts are attached correctly to the product.

To clean the air filter



CAUTION: Do not use a product without an air filter or with a damaged air filter. Dust in the air can cause damage to the engine.

1. Push the choke control to the closed position.
2. Remove the air filter cover (A).
3. Remove the pre-filter (B) from the air filter cover. (Fig. 40)
4. Remove the air filter (C) from the filter frame.

5. Clean the pre-filter and the air filter with warm water and soap.

Note: An air filter that has been used for a long time cannot be fully cleaned. Replace the air filter regularly and always replace a defective air filter.

6. Clean the inner surface of the air filter cover (A) with a brush.
7. Put the air filter in the filter frame.
8. Attach the pre-filter to the air filter cover.
9. Attach the air filter cover to the product.

Troubleshooting

The engine is not possible to start		
Check	Possible cause	Solution
Starter pawls.	Blocked or worn starter pawls.	Adjust or replace the starter pawl/s.
		Clean around the starter pawl/s.
		Speak to an approved servicing dealer.
Fuel tank.	Incorrect fuel type.	Drain the fuel tank and use correct fuel.
Carburetor.	Adjustment of the idle speed.	Adjust the idle speed with the idle adjustment screw.
Spark (no spark).	Spark plug is dirty or wet.	Make sure that the spark plug is dry and clean.
	Electrode gap on the spark plug is incorrect.	Clean the spark plug. Make sure that the electrode gap is correct.
		Refer to technical data for the correct electrode gap.
Spark plug.	Spark plug is loose.	Tighten the spark plug.
	There is unwanted material on the spark plug electrodes.	Make sure that the fuel mixture is correct.
		Make sure that the air filter is clean.

Engine starts but stops again		
Check	Possible cause	Solution
Fuel tank.	Incorrect fuel type.	Drain the fuel tank and use the correct fuel.

Engine starts but stops again		
Check	Possible cause	Solution
Carburetor.	Engine will not operate correctly at idle speed.	Speak to your servicing dealer.
Air filter.	Clogged air filter.	Clean the air filter.

Transportation and storage

Transportation and storage



WARNING: To prevent the risk of fire, make sure that there are no leaks or fumes during transportation or storage. Make sure that there is no risk of sparks or fire.

- Empty the fuel tank before transportation or long-term storage. Push the air purge bulb to make sure that all fuel is removed. Discard the fuel at an applicable disposal location.
- Make sure that the product is clean and that a full servicing is done before long-term storage.
- Remove the spark plug and put approximately 15 ml of two-stroke oil into the cylinder. Turn the product 3 times and install the spark plug again.
- Attach the product safely to the vehicle during transportation.
- Keep the product in a dry, cool and clean space with good airflow. Keep the product away from children.

Technical data

Technical data

	Husqvarna 150BT (BP152HV)
Engine	
Cylinder displacement, in. ³ / cm ³	3.06 / 51.7
Idle speed, rpm	2800
Catalytic converter	Yes
Ignition system ¹	
Spark plug	NGK BPMR7A/Champion RCJ6Y
Electrode gap, in. / mm	0.023–0.027 / 0.6–0.7
Spark plug torque, ft-lb / Nm	18–22 / 25–30
Fuel and lubrication system	
Fuel tank capacity, US Pint / l	2.1 / 1.0
Weight	
Weight without fuel, lb / kg	22.0 / 10.0
Fan performance	
Max. air velocity with high speed nozzle, mph / m/s	270 / 120.7
Air flow in housing, cfm / m ³ /min	765 / 21.7

¹ The spark ignition system complies with the Canadian ICES-002 standard.

Contenido

Introducción.....	17	Mantenimiento.....	24
Seguridad.....	19	Solución de problemas.....	26
Montaje.....	21	Transporte y almacenamiento.....	27
Funcionamiento.....	22	Datos técnicos.....	28

Introducción

Descripción del producto

Este producto es una sopladora de mochila con motor de combustible.

Husqvarna AB tiene una política de desarrollo continuo de productos y, por lo tanto, se reserva el derecho de modificar el diseño y el aspecto de los productos sin previo aviso.

Descripción general del producto

(Fig. 1)

1. Palanca del acelerador
2. Bastidor
3. Arnés
4. Cubierta del motor
5. Cubierta del ventilador
6. Rejilla de aspiración de aire
7. Filtro de aire
8. Empuñadura de la cuerda de arranque
9. Depósito de combustible
10. Cinturón
11. Bujía
12. Sistema amortiguador de vibraciones
13. Estrangulador
14. Mango de control
15. Interruptor de parada con acelerador
16. Acelerador
17. Ángulo del tubo
18. Abrazadera
19. Manguera flexible
20. Tubo de control
21. Anclaje del cable
22. Tubo intermedio
23. Boquilla de la sopladora
24. Manual del usuario
25. Llave combinada
26. Bulbo de la purga de aire
27. Boquilla de régimen alto
28. Tornillo de ajuste de ralentí
29. Ventilador
30. Placa de pie

Uso específico

Utilice el producto para soplar hojas y otros materiales no deseados de zonas como césped, senderos y caminos de asfalto.

Símbolos en el producto

(Fig. 2)

ADVERTENCIA: Este producto puede ser peligroso y provocar daños graves o fatales al operador o a otras personas. Tenga cuidado y utilice el producto correctamente.

(Fig. 3)

Lea atentamente el manual de instrucciones y asegúrese de que entiende las instrucciones antes de usar el producto.

(Fig. 4)

Utilice protectores auriculares y oculares aprobados. Si el ambiente contiene polvo, utilice una máscara respiratoria.

(Fig. 5)

Utilice guantes protectores aprobados durante el funcionamiento y mantenimiento. Utilice botas o zapatos de protección con suelas antideslizantes. Utilice ropa de tejido resistente y que lo cubra por completo.

(Fig. 6)

Si tiene el cabello largo, asegúrese de amarrarlo sobre sus hombros.

(Fig. 7)

No utilice joyas ni ropa holgada durante el funcionamiento.

(Fig. 8)

Utilice una mezcla de gasolina y de aceite para motores de dos tiempos.

(Fig. 9)

Bulbo de la purga de aire.

(Fig. 10)

Mantenga todas las partes del cuerpo lejos de las superficies calientes.

(Fig. 11) No se acerque al propulsor mientras gira.

(Fig. 12) Estrangulador, posición abierta.

(Fig. 13) Posición cerrada de estrangulamiento.

(Fig. 14) Tornillo de ajuste de ralentí.

(Fig. 16) Esté atento a que no salgan objetos despedidos. Los objetos despedidos pueden causar daños graves. Utilice el equipo de protección personal.

(Fig. 17) Mantenga una distancia de seguridad de un mínimo de 15 m para personas o animales.

La placa de características o la impresión láser muestra el número de serie. **yyyy** es el año de producción, y **ww** es la semana de producción.

aaaassxxxx

Nota: Otros símbolos o etiquetas del producto hacen referencia a requisitos de certificación para otras zonas comerciales.

EPA III

(Fig. 15)

El período de cumplimiento de emisiones al que se hace referencia en la etiqueta de cumplimiento de emisiones indica la cantidad de horas de funcionamiento para la que se ha demostrado que el motor cumple el requisito de emisiones federales. El mantenimiento, reemplazo o reparación de los dispositivos y el sistema de control de emisiones puede realizarlo cualquier establecimiento o persona que repare motores no destinados al transporte.

ABREVIATURAS DE LA ETIQUETA DE CONTROL DE EMISIONES

Información general:

CAL	California	EXH/EVP	Escape y evaporación	REGS	Reglamentos
DISPL	Desplazamiento	EVAP	Evaporación	SORE	Motores todoterreno pequeños
ECS	Sistema de control de emisiones	HRS	Horas	US EPA	Agencia de Protección Ambiental de Estados Unidos

Sistema de control de emisiones de escape:

ECM	Módulo de control del motor (afinación automática)	OC	Catalizador oxidante
EM	Modificación del motor	TWC	Catalizador de tres vías

Sistemas de control de emisiones por evaporación:

C	Coextrusionado (multicapa)	P	HDPE o PE tratados
N	Nailon	S	Sellado

Responsabilidad del fabricante

Como se menciona en las leyes de responsabilidad del fabricante, no nos hacemos responsables de los daños que cause nuestro producto si:

- el producto se repara incorrectamente
- el producto se repara con piezas que no son del fabricante o que este no autoriza
- el producto tiene un accesorio que no es del fabricante o que este no autoriza
- el producto no se repara en un centro de servicio autorizado o por una autoridad aprobada.

Seguridad

Definiciones de seguridad

Las siguientes definiciones proporcionan el nivel de gravedad de cada palabra clave.



ADVERTENCIA: Lesiones a personas.



PRECAUCIÓN: Daños en el producto.

Nota: Esta información hace que el producto sea más fácil de usar.

Instrucciones generales de seguridad



ADVERTENCIA: Lea atentamente las instrucciones de advertencia siguientes antes de usar el producto.

- No realice cambios en el producto sin la aprobación del fabricante y siempre utilice accesorios originales. Las modificaciones o accesorios que no estén aprobados pueden provocar daños graves o la muerte del operador u otras personas.
- No use un producto dañado. Realice los controles de seguridad y las tareas de mantenimiento como se describen en este manual de usuario. El personal de un taller de servicio aprobado debe realizar todas las demás tareas de mantenimiento.
- Todas las operaciones de mantenimiento y reparación las debe realizar el personal de mantenimiento aprobado. Si una pieza del producto está defectuosa, comuníquese con el concesionario de servicio.

Seguridad de vibración

Este producto solo sirve para su uso ocasional. El funcionamiento continuo o regular del producto puede provocar la enfermedad de Dupuytren o problemas médicos equivalentes producto de las vibraciones. Examine la condición de sus manos y dedos si opera el producto regular o continuamente. Si sus manos o dedos tienen una decoloración, dolor, cosquilleo o se sienten entumecidos, detenga el trabajo y póngase en contacto con un médico de inmediato.

Instrucciones de seguridad para el funcionamiento



ADVERTENCIA: Lea atentamente las instrucciones de advertencia siguientes antes de usar el producto.

- Este producto puede ser peligroso y provocar daños graves o fatales al operador o a otras personas. Tenga cuidado y utilice el producto correctamente.
- Inspeccione el producto antes de utilizarlo. Consulte *Mantenimiento en la página 24*.
- No opere el producto si está cansado, enfermo o bajo la influencia de alcohol u otras drogas que puedan disminuir su vista, criterio o coordinación.
- Instale todas las cubiertas y protecciones del producto antes de utilizarlo. Para evitar sacudidas eléctricas, asegúrese de que el sombrerete de la bujía y el cable de encendido no estén dañados.
- No toque la bujía ni el cable de encendido cuando el motor esté encendido.
- Mantenga una distancia de seguridad de un mínimo de 15 m para personas o animales. Si personas, niños o animales se acercan a menos de 15 m, detenga el producto. Apunte el producto lejos de personas, animales, ventanas abiertas y otros objetos.
- No deje que los niños operen el producto. Asegúrese de que todos los operadores lean y comprendan el contenido de este manual de usuario.
- Mantenga las manos u otros objetos alejados de la carcasa de la sopladora durante el funcionamiento. Las piezas giratorias pueden provocar daños graves.
- No utilice el producto si la rejilla de aspiración de aire no está instalada. Asegúrese siempre de que la rejilla de aspiración de aire está instalada y no esté dañada antes de cada uso.
- Si se produce una emergencia, suelte el cinturón y el cinturón del pecho del arnés, y deje caer el producto.
- Obedezca las normativas y directivas nacionales.
- Mantenga todas las partes del cuerpo lejos de las superficies calientes.
- Demasiada vibración puede causar daños a la circulación o al sistema nervioso. Hable con su médico si tiene síntomas como insensibilidad, pérdida de sensación, hormigueo, picazón, dolor, pérdida de fuerza o cambios en el color de la piel de los dedos, manos o muñecas.
- Esté atento a que no salgan objetos despedidos. Los objetos despedidos pueden causar daños graves.

- No opere el producto en condiciones climáticas desfavorables, como niebla, lluvia, vientos fuertes ni frío intenso. Trabajar con mal tiempo puede causar cansancio y condiciones peligrosas.
- Asegúrese de poder moverse libremente y mantenerse en una posición estable. Revise el área de trabajo para ver si hay posibles obstáculos, como rocas. Tenga cuidado cuando opere el producto en pendientes.
- No deje el producto en el piso con el motor en marcha.
- No utilice el producto desde posiciones altas, por ejemplo, en una escalera.
- Asegúrese de que siempre lo puedan escuchar en caso de producirse un accidente.
- Asegúrese de que la salida de los gases de escape no esté obstruida. Para evitar daños en el producto, mantenga los obstáculos a una distancia mínima de 50 cm de la salida de los gases de escape.
- No encienda el producto en interiores, lugares con mala ventilación o cerca de materiales inflamables. Los gases de escape del motor contienen monóxido de carbono, que puede provocar intoxicación por monóxido de carbono. Los gases de escape están calientes y pueden contener chispas que podrían provocar un incendio.

- Mantenga cerca el equipo de primeros auxilios.

Dispositivos de seguridad en el producto



ADVERTENCIA: Lea atentamente las instrucciones de advertencia siguientes antes de usar el producto.

- No utilice un producto con dispositivos de seguridad defectuosos.
- Revise los dispositivos de seguridad de forma regular. Consulte *Mantenimiento en la página 24*.
- Si los dispositivos de seguridad están defectuosos, comuníquese con su concesionario de servicio Husqvarna.

Para comprobar el silenciador



ADVERTENCIA: No utilice un producto con un silenciador defectuoso.



ADVERTENCIA: El silenciador se calienta mucho durante el funcionamiento o después de este, así como en el régimen de ralentí. Utilice guantes protectores para evitar quemaduras.



ADVERTENCIA: El interior del silenciador contiene productos químicos que pueden ser cancerígenos. No toque el silenciador si está dañado.

- Realice una inspección visual del silenciador de manera regular. El silenciador mantiene los niveles de ruido al mínimo y dirige los gases de escape lejos del operador. Consulte *Para examinar y limpiar el sistema de refrigeración en la página 26*.

Para comprobar el sistema amortiguador de vibraciones

1. Asegúrese de que no haya grietas o deformación en los amortiguadores de vibraciones.
2. Asegúrese de que los amortiguadores de vibraciones estén firmemente acoplados a la unidad del motor y a la unidad del mango.

Consulte la sección *Descripción general del producto en la página 17* para obtener más información sobre la ubicación del sistema amortiguador de vibraciones en su producto.

Para comprobar el interruptor de arranque/detención

1. Utilice el interruptor de arranque/detención para detener el motor.
2. Asegúrese de que el motor se detenga por completo.

Equipo de protección personal



ADVERTENCIA: Lea atentamente las instrucciones de advertencia siguientes antes de usar el producto.

- Utilice siempre el equipo de protección personal aprobado cuando use el producto. El equipo de protección personal no puede impedir por completo el riesgo de lesiones, pero puede disminuir su grado. Comuníquese con su concesionario para obtener más información.
- Use protección auricular aprobada. La exposición prolongada al ruido puede provocar daños permanentes en la audición.
- Use protección ocular homologada. Si utiliza un visor, también debe usar gafas protectoras homologadas. Las gafas protectoras homologadas deben cumplir con la norma ANSI Z87.1 de EE. UU. o con EN 166 en los países de la UE.
- Utilice guantes protectores durante el funcionamiento y mantenimiento.
- Utilice botas o zapatos de protección con suelas antideslizantes.
- Utilice ropa de tejido resistente y que lo cubra por completo. No utilice joyas ni calzado abierto. Para reducir el riesgo de lesiones, la ropa debe estar ajustada, pero no limitar los movimientos. Manténgase el pelo sobre los hombros para evitar que se enganche entre en las piezas giratorias o en las ramas.
- Utilice una protección respiratoria cuando haya riesgo de polvo.

Para conocer la ubicación del interruptor de arranque/detención en el producto, consulte *Descripción general del producto en la página 17*.

Seguridad del arnés

Use siempre el arnés cuando utilice el producto. Si no utiliza el arnés, no puede utilizar el producto de forma segura. Esto puede provocar lesiones a usted o a otras personas. Asegúrese de que el cinturón y la correa para el pecho estén fijados y ajustados correctamente. Existe el riesgo de que una correa abierta entre en el ventilador del producto.

(Fig. 18)

Seguridad de combustible



ADVERTENCIA: Lea atentamente las instrucciones de advertencia siguientes antes de usar el producto.

- No mezcle ni agregue combustible en interiores o cerca de una fuente de calor.
- No encienda el producto si derrama aceite o combustible en él o en su cuerpo.
- No arranque el producto si el motor tiene una fuga de combustible. Examine frecuentemente el motor en busca de fugas de combustible.
- Sea siempre cuidadoso con el combustible. El combustible es inflamable y los gases son

explosivos; además, pueden causar daños graves o fatales.

- No respire los gases del combustible, ya que pueden causar lesiones. Asegúrese de que haya suficiente flujo de aire.
- No fume cerca del combustible o del motor.
- No coloque el producto ni un recipiente de combustible cerca de objetos calientes, una llama abierta, chispas o una llama de gas.
- Siempre use contenedores aprobados para el almacenamiento y el transporte del combustible.

Instrucciones de seguridad para el mantenimiento



ADVERTENCIA: Lea atentamente las instrucciones de advertencia siguientes antes de usar el producto.

- Pare el motor, quite la bujía y deje que el motor se enfríe antes de realizar el mantenimiento y el montaje.
- Si la red apagachispas está obstruida, el motor se sobrecalentará y se dañará.
- Si la rejilla apagachispas se bloquea con frecuencia, puede ser indicio de que el rendimiento del catalizador disminuye. Comuníquese con su concesionario de servicio para examinar el silenciador.

Montaje

Introducción



ADVERTENCIA: Asegúrese de leer y comprender el capítulo de seguridad antes de montar el producto.

Para montar el tubo de la sopladora y el mango de control en el producto

Nota: Lubrique los tubos y la manguera flexible para facilitar su montaje.

1. Fije la manguera flexible (A) en el ángulo del tubo y el tubo de control (B) con las abrazaderas (C) y (D). (Fig. 19)
2. Fije el soporte de mango (E) en el tubo de control. Alinee el soporte del mango con la brida del tubo de control. (Fig. 20)

3. Ajuste la posición del mango de control a una posición de trabajo segura y correcta. Apriete la perilla.
4. Fije el cable en la manguera flexible con el anclaje del cable. (Fig. 21)
5. Fije el tubo intermedio en el tubo de control. (Fig. 22)
6. Fije la boquilla de la sopladora en el tubo intermedio.

Nota: La boquilla de la sopladora solo se puede instalar en el tubo intermedio.

7. Para obtener una mayor velocidad del aire, conecte la boquilla de régimen alto a la boquilla de la sopladora.

Funcionamiento

Introducción



ADVERTENCIA: Asegúrese de leer y comprender el capítulo de seguridad antes de utilizar el producto.

Combustible

Este producto tiene un motor de dos tiempos.



PRECAUCIÓN: Usar el tipo incorrecto de combustible puede causar daños en el motor. Utilice una mezcla de gasolina y de aceite para motores de dos tiempos.

Combustible premezclado

- Utilice combustible de alquilato premezclado Husqvarna para obtener el mejor rendimiento y prolongar la vida útil del motor. Este combustible contiene menos químicos dañinos en comparación con el combustible normal, lo cual disminuye los gases de escape dañinos. La cantidad de restos después de la combustión es menor con este combustible, que mantiene más limpios los componentes del motor.

Para mezclar combustible

Gasolina

- Utilice gasolina sin plomo de buena calidad con un contenido máximo de un 10 % de etanol.



PRECAUCIÓN: No utilice gasolina con un octanaje inferior a 90 RON/87 AKI. El uso de gasolina de octanaje inferior puede causar el golpeteo del motor, lo que provoca daños en el motor.

Aceite para motores de dos tiempos

- Para obtener los mejores resultados y el mejor rendimiento, utilice aceite para motores de dos tiempos Husqvarna.
- Si el aceite para motores de dos tiempos Husqvarna no está disponible, utilice un aceite para motores de dos tiempos de buena calidad para motores enfriados por aire. Contáctese con su concesionario de servicio para seleccionar el aceite correcto.



PRECAUCIÓN: No utilice aceite para motores de dos tiempos para motores fueraborda refrigerados por agua, también conocido como aceite

para fueraborda. No utilice aceite para motores de cuatro tiempos.

Para mezclar gasolina y aceite para motores de dos tiempos

Gasolina, litros	Aceite para motores de dos tiempos, litro
	2 % (50:1)
5	0,10
10	0,20
15	0,30
20	0,40
Galón estadounidense	Onza líquida EE. UU.
1	2 ½
2 1/2	6 ½
5	12 ¾



PRECAUCIÓN: Los errores pequeños pueden influir drásticamente en la proporción de la mezcla cuando se mezclan cantidades pequeñas de combustible. Mida cuidadosamente la cantidad de aceite y asegúrese de obtener la mezcla correcta.

(Fig. 23)

- Llene la mitad de la cantidad de gasolina en un recipiente limpio para combustible.
- Agregue la cantidad total de aceite.
- Agite la mezcla de combustible.
- Agregue la cantidad restante de gasolina al recipiente.
- Agite cuidadosamente la mezcla de combustible.



PRECAUCIÓN: No mezcle el combustible durante más de 1 mes cada vez.

Para llenar el depósito de combustible



ADVERTENCIA: Para su seguridad, siga el procedimiento que se indica a continuación.

1. Detenga el motor y deje que se enfríe.
2. Limpie el área alrededor del tapón del depósito de combustible. (Fig. 24)
3. Agite el recipiente y asegúrese de que el combustible esté totalmente mezclado.
4. Retire lentamente la tapa del depósito de combustible para liberar la presión.
5. Llene el depósito de combustible.



PRECAUCIÓN: Asegúrese de que el depósito de combustible no esté demasiado lleno. El combustible se expande cuando se calienta.

6. Apriete bien la tapa del depósito de combustible cuidadosamente.
7. Limpie los derrames de combustible en el producto y los alrededores.
8. Antes de arrancarlo, aleje el producto 3 m/10' o más del área de recarga de combustible y de la fuente de combustible.

Nota: Para conocer la ubicación del depósito de combustible en el producto, consulte *Descripción general del producto en la página 17*.

Para arrancar un motor frío



ADVERTENCIA: Sale aire en cuanto el motor arranca, incluso cuando está en ralentí. No permita que nadie permanezca cerca de la sopladora o del tubo de la sopladora.

1. Si el motor está frío, coloque el estrangulador (A) hacia la posición de estrangulamiento cerrada. Consulte *Símbolos en el producto en la página 17*. (Fig. 25)
2. Presione el bulbo de la bomba de combustible (B) repetidas veces durante un mínimo de 10 veces hasta que se comience a llenar de combustible. No es necesario llenar completamente el bulbo de la bomba de combustible.
3. Coloque el acelerador en la posición de ralentí rápido. Alinee las marcas de guía en la palanca del acelerador y el mango de control. (Fig. 26)
4. Coloque el producto sobre una superficie plana en el suelo.
5. Sostenga el producto con la mano izquierda y ponga el pie en la placa de pie. (Fig. 27)
6. Tire lentamente la empuñadura de la cuerda de arranque con la mano derecha hasta que sienta resistencia.

Nota: No tire de la empuñadura de la cuerda de arranque en toda su extensión ni suelte la empuñadura de la cuerda de arranque.

7. Tire rápidamente de la empuñadura de la cuerda de arranque con la mano derecha hasta que el motor arranque. Realice este procedimiento 6 veces como máximo. Si el motor arranca, mueva la palanca del estrangulador gradualmente hasta la posición abierta y siga con el paso 11. Si el motor no arranca, siga con el paso 9.
8. Si el motor se intenta arrancar, mueva la palanca del estrangulador gradualmente hasta la posición abierta.
9. Tire rápidamente de la empuñadura de la cuerda de arranque con la mano derecha hasta que el motor arranque. Realice este procedimiento 6 veces como máximo.



Nota: Si el motor no arranca, repita las instrucciones de arranque del paso 1.

10. Deje que el motor se caliente durante 30 segundos.
11. Coloque el acelerador a régimen de ralentí. (Fig. 28)
12. Presione el acelerador para ajustar la velocidad de la sopladora. Consulte *Para utilizar el acelerador en la página 23*.

Para arrancar un motor caliente

- Si la temperatura ambiente es inferior a 32 °C/ 90 °F, utilice el mismo procedimiento de arranque que *Para arrancar un motor frío en la página 23*, pero no coloque el estrangulador en la posición de estrangulamiento cerrada.
- Si la temperatura ambiente es superior a 32 °C/ 90 °F, utilice el mismo procedimiento de arranque que *Para arrancar un motor frío en la página 23*.

Para utilizar el acelerador

- Para aumentar la velocidad de la sopladora durante el funcionamiento, presione el acelerador hasta obtener la velocidad correcta. (Fig. 29)
- Para disminuir la velocidad de la sopladora durante el funcionamiento, suelte el acelerador hasta que obtenga la velocidad correcta.

Para arrancar el motor cuando el combustible está demasiado caliente

Si el producto no arranca, el combustible puede estar demasiado caliente.

Nota: Siempre utilice combustible nuevo y disminuya el tiempo de funcionamiento durante clima cálido.

1. Coloque el producto en un área fresca lejos de la luz solar directa.

- Permita que el producto se enfríe durante 20 minutos como mínimo.
- Presione el bulbo de la bomba de combustible repetidamente entre 10 y 15 segundos.
- Obedezca el procedimiento para arrancar un motor frío. Consulte *Para arrancar un motor frío en la página 23*.

Para hacer funcionar el producto

- Opere el producto en las horas de trabajo habituales. Siga las normativas locales.
- Reduzca la cantidad de piezas del equipo y seleccione la velocidad correcta para su tarea. Utilice el acelerador en la posición más baja posible para evitar producir más ruido y polvo del necesario.
- Mantenga la boquilla de la sopladora cerca del suelo.

Nota: Husqvarna recomienda utilizar la extensión completa de la boquilla de la sopladora.

- Determine la dirección del viento y opere el producto en la dirección del viento.
- Utilice las herramientas de jardín correspondientes para liberar material del suelo.
- En zonas polvorientas, utilice un equipo de pulverización para humedecer la zona. Esto reduce el tiempo de funcionamiento.
- Después de la operación, almacene el producto en posición vertical.

Para detener el producto



PRECAUCIÓN: No detenga el producto cuando funcione a máxima velocidad.

- Presione el interruptor de detención. (Fig. 30)

Nota: Cuando el producto se detiene, puede escuchar un sonido de golpe. Esto es normal y no es una indicación de que el producto se encuentra defectuoso.

Para ajustar el arnés

- Coloque el arnés del producto.
- Coloque el cinturón alrededor de la cintura y conecte la hebilla del cinturón para la correa de la cintura. (Fig. 31)
- Apriete la correa del cinturón. (Fig. 32)
- Conecte la hebilla del cinturón a la correa para el pecho. (Fig. 33)
- Ajuste la posición de la correa para el pecho. (Fig. 34)
- Apriete la correa del pecho. (Fig. 35)
- Apriete las correas de los hombros hasta que el producto quede firmemente apretado contra su cuerpo. (Fig. 36)
- Apriete las correas del elevador de carga. (Fig. 37)

Mantenimiento

Introducción



ADVERTENCIA: Lea detenidamente el capítulo de seguridad antes de realizar mantenimiento en el producto.

Programa de mantenimiento

Mantenimiento	Diario	Una vez por semana	Una vez al mes
Limpie las superficies externas.	X		
Asegúrese de que el mango de control funcione correctamente.	X		
Asegúrese de que el interruptor de arranque/detención funcione correctamente. Consulte <i>Para comprobar el interruptor de arranque/detención en la página 20</i> .	X		
Examine el motor, el depósito de combustible y los conductos de combustible para determinar si hay fugas. Examine el filtro de combustible en busca de contaminación. Reemplace el filtro de combustible si es necesario.	X		
Limpie el filtro de aire. Reemplace el filtro de aire si es necesario.	X		

Mantenimiento	Diario	Una vez por semana	Una vez al mes
Apriete tuercas y tornillos.	X		
Examine la toma de aire y asegúrese de que no esté obstruida.	X		
Examine el arranque y la cuerda de arranque en busca de daños.		X	
Inspeccione los amortiguadores de vibraciones para determinar si presentan daños, grietas o deformación. Asegúrese de que los amortiguadores de vibraciones estén instalados correctamente.		X	
Examine la bujía. Consulte <i>Para comprobar la bujía en la página 25</i> .		X	
Limpie el sistema de refrigeración.		X	
Limpie la superficie exterior del carburador y el espacio que lo rodea.		X	
Limpie el depósito de combustible.			X
Examine todos los cables y conexiones.			X
Examine y limpie la rejilla de la red apagachispas en el silenciador (para productos sin catalizador).		X	
Examine y limpie la rejilla de la red apagachispas en el silenciador (para productos con catalizador).			X
Examine la bujía. Reemplácelos si es necesario.			X

Para ajustar el régimen de ralentí

1. Asegúrese de que el filtro de aire esté limpio y de que tenga la cubierta colocada.
2. Ajuste el régimen de ralentí con el tornillo de régimen de ralentí. Para conocer la ubicación del tornillo de régimen de ralentí en el producto, consulte *Descripción general del producto en la página 17*.

Para comprobar la bujía



PRECAUCIÓN: Utilice la bujía recomendada. Consulte *Datos técnicos en la página 28*. Una bujía incorrecta puede causar daños al producto.

1. Detenga el motor y deje que el producto se enfríe.
2. Limpie la bujía si está sucia.
3. Asegúrese de que la distancia entre los electrodos sea la correcta. Consulte *Datos técnicos en la página 28*. (Fig. 38)
4. Reemplace la bujía cada mes o más a menudo si es necesario.

Para realizar tareas de mantenimiento en el silenciador



PRECAUCIÓN: Si la rejilla apagachispas se bloquea con frecuencia, puede ser indicio de que el rendimiento del catalizador disminuye. Comuníquese con su concesionario de servicio para examinar el silenciador. Una rejilla apagachispas obstruida produce sobrecalentamiento y causa daños en el cilindro y el pistón.



PRECAUCIÓN: La rejilla apagachispas debe sustituirse si está dañada. No utilice un producto si falta la rejilla apagachispas en el silenciador o si está defectuosa.

- Limpie la rejilla apagachispas del silenciador. Use un cepillo con cerdas de alambre. (Fig. 39)
- Permita que un concesionario de servicio reemplace o realice el servicio en el silenciador y la rejilla apagachispas después de 50 horas de funcionamiento.

Para examinar y limpiar el sistema de refrigeración

El sistema refrigerante incluye las aletas de refrigeración en el cilindro y la rejilla de aspiración de aire.

1. Detenga el motor.
2. Asegúrese de que el sistema refrigerante no esté sucio ni obstruido. Si es necesario, limpie la rejilla de aspiración de aire y las aletas de refrigeración.



PRECAUCIÓN: Si el sistema refrigerante está sucio o bloqueado, puede aumentar la temperatura del motor y dañarlo. Una rejilla de aspiración de aire obstruida reduce la fuerza de soplado.

3. Revise si el sistema refrigerante presenta daños. Asegúrese de que las piezas están correctamente colocadas en el producto.

Para limpiar el filtro de aire



PRECAUCIÓN: No utilice un producto sin un filtro de aire o con un filtro

de aire dañado. El polvo en el aire puede dañar el motor.

1. Presione el estrangulador hacia la posición de cierre.
2. Quite la cubierta del filtro de aire (A).
3. Quite el prefiltro (B) de la cubierta del filtro de aire. (Fig. 40)
4. Quite el filtro de aire (C) del bastidor del filtro.
5. Limpie el prefiltro y el filtro de aire con agua tibia y jabón.

Nota: Si un filtro de aire se ha utilizado durante mucho tiempo, nunca quedará completamente limpio. Sustituya el filtro de aire periódicamente, al igual que cuando presente defectos.

6. Limpie la superficie interior de la cubierta del filtro de aire (A) con un cepillo.
7. Coloque el filtro de aire en el bastidor del filtro.
8. Instale el prefiltro en la cubierta del filtro de aire.
9. Instale la cubierta del filtro de aire en el producto.

Solución de problemas

No es posible arrancar el motor		
Verificar	Causa posible	Solución
Ganchos de arranque	Ganchos de arranque obstruidos o desgastados.	Ajuste o reemplace los ganchos de arranque.
		Limpie alrededor de los ganchos de arranque.
		Consulte a un taller de servicio autorizado.
Depósito de combustible	Tipo de combustible incorrecto	Vacíe el depósito de combustible y utilice el combustible correcto.
Carburador.	Ajuste del régimen de ralentí.	Ajuste la velocidad de ralentí con el tornillo de ajuste de ralentí.
Chispa (sin chispa).	La bujía está sucia o mojada.	Asegúrese de que la bujía esté limpia y seca.
	La distancia entre los electrodos en la bujía es incorrecta.	Limpie la bujía. Asegúrese de que la distancia entre los electrodos sea la correcta.
		Consulte los datos técnicos para conocer la distancia correcta entre los electrodos.

No es posible arrancar el motor		
Verificar	Causa posible	Solución
Bujía	La bujía está suelta.	Ajuste la bujía.
	Hay material no deseado en los electrodos de la bujía.	Asegúrese de que la mezcla de combustible es la correcta. Asegúrese de que el filtro de aire esté limpio.

El motor arranca, pero se detiene de nuevo.		
Verificar	Causa posible	Solución
Depósito de combustible	Tipo de combustible incorrecto	Vacíe el depósito de combustible y utilice el combustible correcto.
Carburador.	El motor no funciona correctamente a régimen de ralentí.	Consulte a su concesionario de servicio.
Filtro de aire.	Filtro de aire obstruido.	Limpie el filtro de aire.

Transporte y almacenamiento

Transporte y almacenamiento



ADVERTENCIA: Para evitar el riesgo de incendio, asegúrese de que no haya fugas ni liberación de gases durante el transporte o el almacenamiento. Asegúrese de que no haya riesgo de chispas o incendio.

- Mantenga el producto en un lugar seco, fresco y limpio con un flujo de aire adecuado. Mantenga el producto alejado de los niños.

- Vacíe el depósito de combustible antes del transporte o de un almacenamiento prolongado. Empuje el bulbo de purga de aire para asegurarse de que se haya quitado todo el combustible. Deseche el combustible en un lugar adecuado para tal propósito.
- Asegúrese de que el producto esté limpio y de que se le realice un mantenimiento completo antes de un almacenamiento prolongado.
- Extraiga la bujía y ponga aproximadamente 15 ml de aceite para motores de dos tiempos en el cilindro. Gire el producto 3 veces e instale nuevamente la bujía.
- Fije el producto de manera segura al vehículo durante el transporte.

Datos técnicos

Datos técnicos

	Husqvarna 150BT (BP152HV)
Motor	
Cilindrada, cm ³ /pulg. ³	3,06/51,7
Régimen de ralentí, rpm	2800
Catalizador	Sí
Sistema de encendido ²	
Bujía	NGK BPMR7A/Champion RCJ6Y
Distancia entre los electrodos, mm/pulg.	0,023-0,027/0,6-0,7
Par de la bujía, Nm/ft-lb	18-22/25-30
Combustible y sistema de lubricación	
Capacidad del depósito de combustible, l/pinta EE. UU.	2,1/1,0
Peso	
Peso sin combustible, kg/lb	22,0/10,0
Rendimiento del ventilador	
Velocidad máxima del aire con boquilla de régimen alto, m/s/mph	270/120,7
Flujo de aire en la carcasa, cfm/m ³ /min	765/21,7

² El sistema de encendido por chispa cumple con la norma canadiense ICES-002.

Table des matières

Introduction.....	29	Entretien.....	36
Sécurité.....	31	Dépannage.....	38
Montage.....	33	Transport et entreposage.....	39
Fonctionnement.....	34	Données techniques.....	40

Introduction

Description du produit

Ce produit est un souffleur dorsal avec moteur thermique.

Nous avons une politique de développement continu et nous réservons donc le droit de modifier la conception et l'apparence des produits sans préavis.

Présentation de l'appareil

(Fig. 1)

1. levier de commande d'accélération
2. Cadre
3. Harnais
4. Couvercle moteur
5. Couvercle du ventilateur
6. Grille de prise d'air
7. Filtre à air
8. Corde du lanceur
9. Réservoir de carburant
10. Ceinture
11. Bougie d'allumage
12. Système antivibrations
13. Commande de l'étrangleur
14. Poignée de commande
15. Interrupteur d'arrêt avec commande d'accélération
16. Gâchette d'accélération
17. Tuyau coudé
18. Collier
19. Tuyau flexible
20. Tuyau de commande
21. Collier de câble
22. Tuyau intermédiaire
23. Buse
24. Manuel d'utilisation
25. Clé à usages multiples
26. Pompe de purge d'air
27. Buse de haut régime
28. Vis de réglage du ralenti
29. Ventilateur
30. Plaque de pied

Utilisation prévue

Utiliser ce produit pour souffler les feuilles et les autres matériaux indésirables des zones telles que des pelouses, des allées et des voies asphaltées.

Symboles figurant sur le produit

- (Fig. 2) **AVERTISSEMENT!** Ce produit peut être dangereux et causer des blessures très graves, ou même mortelles, à l'utilisateur et à d'autres personnes. Faire attention et utiliser le produit correctement.
- (Fig. 3) Avant d'utiliser la tondeuse, lire attentivement le manuel d'utilisation et veiller à bien comprendre les directives.
- (Fig. 4) Utiliser un dispositif de protection pour les oreilles et des lunettes de protection homologués. Si l'environnement contient de la poussière, utiliser un masque respiratoire.
- (Fig. 5) Utiliser des gants de protection homologués pendant l'utilisation et l'entretien. Utiliser des bottes de protection ou des chaussures avec semelles antidérapantes. Utiliser des vêtements en tissus résistants longs.
- (Fig. 6) Prendre soin de retenir les cheveux longs au-dessus des épaules
- (Fig. 7) Ne jamais porter des vêtements amples ou des bijoux durant l'utilisation.
- (Fig. 8) Mélange d'essence et d'huile pour moteur à deux-temps.
- (Fig. 9) Pompe à carburant.
- (Fig. 10) Garder les parties du corps à l'écart des surfaces chaudes.

(Fig. 11) Ne pas s'approcher trop près de la roue à ailettes lorsqu'elle tourne

(Fig. 12) Étrangleur en position ouverte.

(Fig. 13) Étrangleur en position fermée.

(Fig. 14) Vis de réglage du ralenti.

(Fig. 16) Faire preuve de prudence à l'égard des projections d'objets. La projection d'objets peut causer des blessures graves. Utiliser de l'équipement de protection individuelle.

(Fig. 17) Maintenir une distance de sécurité d'au moins 15 m avec d'autres personnes ou des animaux.

aaaassxxxx
yyyy représente l'année de production et ww la semaine de production.

Remarque : Les autres symboles/autocollants présents sur l'outil renvoient aux exigences en matière de certification pour d'autres zones commerciales.

EPA III

(Fig. 15)

La période de conformité aux normes d'émissions indiquée sur les étiquettes de conformité aux normes d'émissions se rapporte au nombre d'heures de fonctionnement du moteur qui répond aux exigences fédérales en matière d'émissions. N'importe quel établissement ou agent de réparation de moteur non routier peut effectuer l'entretien, le remplacement et la réparation des dispositifs et du système de contrôle des émissions.

ABRÉVIATIONS SUR LES ÉTIQUETTES DU SYSTÈME DE CONTRÔLE DES ÉMISSIONS

Généralités :

CAL	Californie	EXH/EVP	Échappement et évaporation	REGS	Règlements
DISPL	Cylindrée	EVAP	Évaporation	SORE	Petits moteurs hors route
ECS	Système de contrôle des émissions	HRS	Heures	US EPA	Office de protection de l'environnement des États-Unis

Système de contrôle des émissions d'échappement :

ECM	Module de commande du moteur (Autotune)	OC	Catalyseur oxydant
EM	Modification du moteur	TWC	Catalyseur trifonctionnel

Systèmes de contrôle des émissions par évaporation :

N	Nylon	S	Fermé hermétiquement
---	-------	---	----------------------

Responsabilité concernant le produit

Comme indiqué dans les lois en vigueur sur la responsabilité concernant les produits, nous ne serons pas tenus responsables des dommages que notre produit causerait dans les situations suivantes :

- Le produit n'est pas réparé de façon adéquate.
- Le produit est réparé avec des pièces qui ne sont pas fournies ou homologuées par le fabricant.

- Le produit comprend un accessoire qui n'est pas fourni ou homologué par le fabricant.

- Le produit n'est pas réparé par un centre de service après-vente agréé ou par une autorité homologuée.

Sécurité

Définitions relatives à la sécurité

Les définitions ci-dessous indiquent le niveau de gravité pour chaque mot signal.



AVERTISSEMENT : Blessures aux personnes.



MISE EN GARDE : Dommages causés à l'outil.

Remarque : Cette information facilite l'utilisation de l'outil.

Consignes générales de sécurité



AVERTISSEMENT : Lire les messages d'avertissement qui suivent avant d'utiliser l'outil.

- Ne pas modifier le produit sans l'approbation du fabricant et utiliser toujours des accessoires d'origine. Les modifications ou accessoires non autorisés peuvent entraîner des blessures graves ou la mort de l'opérateur ou d'autres personnes.
- Ne pas utiliser l'outil s'il est endommagé. Effectuer les vérifications de sécurité et l'entretien conformément aux instructions présentées dans le manuel de l'opérateur. Tous les autres travaux d'entretien doivent être effectués par du personnel d'entretien agréé.
- Tous les travaux d'entretien et de réparation doivent être effectués par du personnel d'entretien agréé. Si une partie du produit est défectueuse, communiquer avec votre centre de services.

Sécurité en matière de vibrations

Ce produit est réservé à un usage occasionnel. L'utilisation continue ou fréquente de l'outil peut entraîner le syndrome du « doigt mort » ou d'autres problèmes médicaux équivalents à cause des vibrations. Examiner souvent l'état de vos mains et de vos doigts si l'outil est utilisé de façon continue ou fréquente. Si vos mains ou vos doigts présentent une décoloration, sont douloureux, picotent ou sont engourdis, cesser de travailler et consulter un médecin immédiatement.

Consignes de sécurité pour l'utilisation



AVERTISSEMENT : Lire les messages d'avertissement qui suivent avant d'utiliser l'appareil.

- Ce produit peut être dangereux et causer des blessures très graves, ou même mortelles, à l'utilisateur et à d'autres personnes. Faire attention et utiliser le produit correctement.
- Vérifier le produit avant son utilisation. Se reporter à la section *Entretien à la page 36*.
- Ne pas utiliser l'outil si vous êtes fatigué, malade ou sous l'emprise de l'alcool ou d'une drogue qui peut diminuer l'acuité visuelle, le jugement ou la coordination.
- Poser les couvercles et les protections avant l'utilisation. Pour éviter tout risque d'électrocution, s'assurer que le chapeau de bougie et le câble d'allumage ne sont pas endommagés.
- Ne pas toucher la bougie d'allumage ou le câble d'allumage lorsque le moteur est en marche.
- Maintenir une distance de sécurité d'au moins 15 m avec d'autres personnes ou des animaux. Si des personnes, des enfants ou des animaux s'approchent à moins de 15 m, arrêter le produit. Éloigner le produit des personnes, des animaux, des fenêtres ouvertes et d'autres objets.
- Ne pas laisser un enfant utiliser la machine. S'assurer que les opérateurs lisent et comprennent le contenu de ce manuel d'utilisation.
- Garder les mains ou d'autres objets à l'écart du carter du souffleur pendant le fonctionnement. Les pièces en rotation peuvent engendrer de graves blessures.
- Ne pas utiliser le produit si la grille d'entrée d'air n'est pas installée. Toujours s'assurer que la grille d'entrée d'air est installée et qu'elle n'est pas endommagée avant l'utilisation.
- En cas d'urgence, relâcher la ceinture et la sangle d'épaule du harnais et laisser tomber le produit.
- Respecter les directives et règlements nationaux.
- Garder les parties du corps à l'écart des surfaces chaudes.
- Une vibration trop importante peut endommager la circulation ou le système nerveux. Parler à un médecin en cas de symptômes suivants : engourdissement, perte de sensibilité, fourmillement, picotement, douleur, faiblesse musculaire, décoloration de la peau au niveau des doigts, des mains ou des poignets.

- Faire preuve de prudence à l'égard des projections d'objets. La projection d'objets peut causer des blessures graves.
- Ne pas utiliser le produit par mauvais temps (brouillard, pluie, vents violents et froid intense). Travailler par mauvais temps peut provoquer une fatigue et des conditions dangereuses.
- S'assurer qu'on peut se déplacer et garder une position stable. Vérifier la zone de travail pour détecter d'éventuels obstacles tels que des pierres. Faire attention lors de l'utilisation du produit dans une pente.
- Ne pas placer le produit sur le sol quand le moteur est en marche.
- Ne pas utiliser le produit à partir de positions élevées, par exemple sur une échelle.
- S'assurer de toujours être entendu en cas d'accident.
- S'assurer que la sortie de gaz d'échappement n'est pas obstruée. Pour éviter d'endommager le produit, maintenir les obstacles à une distance minimale de 50 cm de la sortie de gaz d'échappement.
- Ne pas démarrer le produit à l'intérieur, dans un endroit avec une mauvaise ventilation ou à proximité de matériaux inflammables. Les gaz d'échappement du moteur contiennent du monoxyde de carbone pouvant provoquer l'intoxication. Les gaz d'échappement du moteur sont très chauds et peuvent contenir des étincelles qui peuvent causer un incendie.

Équipement de protection personnelle



AVERTISSEMENT : Lire les messages d'avertissement qui suivent avant d'utiliser l'appareil.

- Utiliser un équipement de protection personnelle homologué lors de l'utilisation du produit. Cet équipement de protection personnelle n'élimine pas complètement les risques de blessures, mais il peut en réduire la gravité. Pour obtenir de plus amples renseignements, communiquer avec votre concessionnaire.
- Porter un dispositif de protection homologué pour les oreilles. L'exposition prolongée au bruit peut causer des lésions auditives permanentes.
- Utiliser un dispositif de protection homologué pour les yeux. Porter également des lunettes de protection homologuées en cas d'utilisation d'une visière. Les lunettes de protection homologuées doivent être conformes à la norme ANSI Z87.1 aux États-Unis ou à la norme EN 166 dans les pays de l'Union européenne.
- Utiliser des gants de protection pendant l'utilisation et l'entretien.
- Utiliser des bottes de protection ou des chaussures avec semelles antidérapantes.
- Utiliser des vêtements en tissus résistants longs. Ne pas porter de bijoux et de chaussures ouvertes.

Pour réduire le risque de blessure, vos vêtements doivent être ajustés, mais ne doivent pas limiter vos mouvements. Garder les cheveux au-dessus des épaules pour éviter qu'ils ne pénètrent dans les pièces en rotation ou qu'ils ne s'accrochent aux branches.

- Utiliser une protection respiratoire lorsqu'il y a un risque de poussière.
- Maintenir l'équipement de premiers secours à proximité.

Dispositifs de sécurité sur l'outil



AVERTISSEMENT : Lire les messages d'avertissement qui suivent avant d'utiliser l'outil.

- Ne pas utiliser un outil dont les dispositifs de protection sont défectueux.
- Vérifier régulièrement les dispositifs de sécurité. Reportez-vous à *Entretien à la page 36*.
- Si les dispositifs de sécurité sont défectueux, communiquer avec votre centre de services Husqvarna

Pour vérifier le silencieux



AVERTISSEMENT : Ne pas utiliser un produit dont le silencieux est défectueux.



AVERTISSEMENT : Le silencieux devient extrêmement chaud pendant et après utilisation, même lorsque le moteur tourne au ralenti. Utiliser des gants de protection pour éviter des brûlures.



AVERTISSEMENT : L'intérieur du silencieux contient des produits chimiques pouvant être cancérogènes. Ne pas toucher le silencieux s'il est endommagé.

- Effectuer régulièrement une vérification visuelle du silencieux. Le silencieux maintient le niveau sonore au minimum et dirige les gaz d'échappement loin de l'utilisateur. Se reporter à la section *Examiner et nettoyer le système de refroidissement à la page 37*.

Pour vérifier le système antivibrations

1. S'assurer que les unités antivibrations ne présentent aucune fissure ou déformation.
2. S'assurer que les unités antivibrations sont correctement fixées à l'unité à moteur et à l'ensemble poignée.

Reportez-vous à la section *Présentation de l'appareil à la page 29* pour obtenir des renseignements sur

l'emplacement du système antivibrations sur votre produit.

Pour vérifier l'interrupteur de marche/arrêt

1. Utiliser l'interrupteur de marche/arrêt pour arrêter le moteur.
2. S'assurer que le moteur s'arrête complètement.

Pour connaître l'emplacement de l'interrupteur de marche/arrêt sur votre produit, se reporter à *Présentation de l'appareil à la page 29.*

Sécurité du harnais

Toujours porter le harnais lors de l'utilisation de la machine. Si vous n'utilisez pas le harnais, vous ne pouvez pas utiliser le produit en toute sécurité. Cela peut engendrer des blessures pour vous et pour d'autres personnes. Assurez-vous que la ceinture et la sangle d'épaule soient bien fixées et réglées correctement. Sinon, il y a un risque que la ceinture se prenne dans la turbine du produit.

(Fig. 18)

Sécurité – carburant



AVERTISSEMENT : Lire les messages d'avertissement qui suivent avant d'utiliser l'outil.

- Ne pas mélanger ou ajouter le carburant à l'intérieur ou à proximité d'une source de chaleur.
- Ne pas démarrer le produit si de l'huile ou du carburant se renverse sur le produit ou sur le corps.

- Ne pas démarrer l'outil si le moteur présente une fuite. Vérifier régulièrement le moteur à la recherche de fuites de carburant.
- Toujours faire preuve de prudence lors de la manipulation du carburant. Celui-ci est inflammable et ses vapeurs sont explosives et peuvent causer des blessures graves ou la mort.
- Ne pas respirer les vapeurs de carburant, car elles peuvent causer des blessures. Vérifier que la ventilation est suffisante.
- Ne pas fumer à proximité du carburant ou du moteur.
- Ne pas placer le produit ou un bidon d'essence près d'objets chauds, d'une flamme nue, d'étincelles ou d'une veilleuse.
- Utiliser toujours des contenants agréés pour entreposer ou transporter le carburant.

Consignes de sécurité pour l'entretien



AVERTISSEMENT : Lire les messages d'avertissement qui suivent avant d'utiliser l'appareil.

- Arrêter le moteur, retirer la bougie et laisser refroidir le moteur avant l'entretien et le montage.
- Un écran pare-étincelles bloqué engendre une surchauffe du moteur, ce qui lui cause des dommages.
- Si l'écran pare-étincelles est souvent colmaté, cela peut être le signe d'une réduction de la performance du pot catalytique. Aller chez le fournisseur de services d'entretien pour examiner le silencieux.

Montage

Introduction



AVERTISSEMENT : Lire et comprendre le chapitre sur la sécurité avant d'assembler le produit.

Pour assembler le tuyau du souffleur et la poignée de commande sur le produit

Remarque : Lubrifier les tubes et le tuyau flexible pour faciliter leur montage.

1. Fixer le tuyau flexible (A) sur le tuyau coudé et le tuyau de commande (B) avec les colliers (C) et (D). (Fig. 19)
2. Fixer le support de la poignée (E) sur le tuyau de commande. Aligner le support de la poignée avec la bride du tuyau de commande. (Fig. 20)

3. Régler la position de la poignée de commande sur une position de travail sécuritaire et correcte. Serrer le bouton.
4. Attacher les câbles au tuyau flexible avec le collier du câble. (Fig. 21)
5. Fixer le tube intermédiaire sur le tuyau de commande. (Fig. 22)
6. Fixer la buse du souffleur sur le tube intermédiaire.

Remarque : La buse ne peut être raccordée qu'au tuyau intermédiaire.

7. Pour un débit d'air plus élevé, fixer la buse de haut régime à la buse du souffleur

Fonctionnement

Introduction



AVERTISSEMENT : Lire et comprendre le chapitre sur la sécurité avant d'utiliser le produit.

Carburant

Cet outil est équipé d'un moteur à deux-temps.



MISE EN GARDE : Un type de carburant inapproprié peut endommager le moteur. Utiliser un mélange d'essence et d'huile pour moteur à deux-temps.

Carburant prémélangé

- Utiliser du carburant alkylat prémélangé Husqvarna, pour atteindre une performance optimale et un prolonger la durée de vie du moteur. Ce carburant contient moins de substances chimiques nocives par rapport à un carburant régulier, ce qui réduit les gaz d'échappement nocifs. La quantité de dépôts après combustion est inférieure avec ce carburant, ce qui maintient les composants du moteur plus propres.

Pour mélanger le carburant

Essence

- Utiliser de l'essence sans plomb de bonne qualité contenant au maximum 10 % d'éthanol.



MISE EN GARDE : Ne pas utiliser d'essence à indice d'octane inférieur à 90 RON (87 AKI). L'utilisation d'un indice d'octane inférieur peut entraîner le cognement du moteur, ce qui provoque des dommages au moteur.

Huile à moteur deux temps

- Pour obtenir un meilleur résultat et un fonctionnement optimal, utiliser l'huile pour moteur à deux-temps Husqvarna.
- Si l'huile pour moteur à deux temps Husqvarna n'est pas disponible, utiliser une huile pour moteur à deux temps de bonne qualité destinée aux moteurs refroidis à l'air. Communiquer avec votre centre de services pour sélectionner l'huile appropriée.



MISE EN GARDE : Ne pas utiliser l'huile pour moteur à deux temps dans des moteurs hors-bord refroidis à l'eau, également appelée huile pour moteur hors-bord. Ne pas utiliser l'huile pour des moteurs à quatre temps.

Pour mélanger l'essence et l'huile pour moteur à deux temps

Essence, litre	Huile pour moteur à deux temps, litre
	2 % (50:1)
5	0,10
10	0,20
15	0,30
20	0,40
gallon US	once liquide US
1	2 ½
2 1/2	6 ½
5	12 ¼



MISE EN GARDE : De petites erreurs peuvent influencer considérablement le ratio de mélange lors du mélange de petites quantités de carburant. Mesurer soigneusement la quantité d'huile et s'assurer d'obtenir le mélange approprié.

(Fig. 23)

- Remplir la moitié de la quantité d'essence dans un récipient propre destiné à contenir du carburant.
- Ajouter la quantité totale d'huile.
- Agiter le mélange de carburant.
- Ajouter la quantité restante d'essence dans un récipient.
- Agiter avec précaution le mélange de carburant.



MISE EN GARDE : Ne pas mélanger le carburant pendant plus de 1 mois à la fois.

Remplissage du réservoir de carburant



AVERTISSEMENT : Respecter la procédure suivante pour assurer la sécurité.

- Couper le moteur et le laisser refroidir.
- Nettoyer la zone autour du bouchon du réservoir de carburant. (Fig. 24)

3. Secouer le bidon et s'assurer que le carburant est complètement mélangé.
4. Retirer le bouchon du réservoir de carburant lentement pour libérer la pression.
5. Remplir le réservoir de carburant.



MISE EN GARDE : S'assurer qu'il n'y a pas trop de carburant dans le réservoir. Le carburant se dilate lorsqu'il devient chaud.

6. Serrer fermement le bouchon du réservoir de carburant.
7. Nettoyer le déversement de carburant sur le produit et autour de celui-ci.
8. Éloigner le produit de 3 m (10 pi) ou plus de la zone de remplissage et de la source de carburant avant de démarrer.

Remarque : Pour connaître l'emplacement du réservoir de carburant sur votre machine, se reporter à *Présentation de l'appareil à la page 29*.

Démarrage d'un moteur froid



AVERTISSEMENT : L'air est pulsé dès le démarrage du moteur, même lorsque celui-ci tourne au ralenti. Ne laissez personne s'approcher trop près du souffleur ou de son tube.

1. Si le moteur est froid, pousser le starter (A) à la position de starter fermé. Se reporter à *Symboles figurant sur le produit à la page 29*. (Fig. 25)
2. Appuyer sur la pompe à carburant (B) 10 fois au minimum jusqu'à ce que celle-ci commence à se remplir de carburant. Il n'est pas nécessaire de remplir entièrement la poire de pompe à carburant.
3. Déplacer la commande d'accélération à la position de ralenti accéléré. Aligner les repères du levier de commande d'accélération avec ceux de la poignée de commande. (Fig. 26)
4. Placer le produit sur une surface plane au sol.
5. Saisir le produit de la main gauche et placer votre pied sur la plaque de pied. (Fig. 27)
6. Tirer lentement la poignée du câble du lanceur avec la main droite jusqu'à rencontrer une résistance.

Remarque : Ne pas tirer complètement le câble du lanceur et ne pas lâcher la poignée du câble du lanceur.

7. Tirer sur la poignée du câble du lanceur rapidement avec la main droite jusqu'à ce que le moteur démarre ou tente de démarrer, maximum 6 fois. Si le moteur démarre, pousser graduellement le levier du starter jusqu'à la position de starter ouvert et passer à l'étape 11. Si le moteur ne démarre pas, passer à l'étape 9.
8. Si le moteur démarre, déplacer graduellement progressivement le levier du starter jusqu'à la position de starter ouvert.
9. Tirer sur la poignée du câble du lanceur rapidement avec la main droite jusqu'à ce que le moteur démarre, maximum 6 fois.



Remarque : Si le moteur ne démarre pas, répéter les instructions de démarrage à partir de l'étape 1.

10. Laisser le moteur tourner pendant 30 secondes.
11. Régler la commande d'accélération au régime de ralenti. (Fig. 28)
12. Appuyer sur la gâchette d'accélération pour régler la vitesse du souffleur. Se reporter à *Utilisation de la commande d'accélération à la page 35*.

Démarrage d'un moteur chaud

- Si la température ambiante est inférieure à 32 °C (90 °F), utiliser la même procédure de démarrage que celle décrite dans *Démarrage d'un moteur froid à la page 35*, mais sans placer le starter en position du starter.
- Si la température ambiante est supérieure à 32 °C (90 °F), utiliser la même procédure de démarrage que celle décrite dans *Démarrage d'un moteur froid à la page 35*.

Utilisation de la commande d'accélération

- Pour augmenter le régime du souffleur pendant le fonctionnement, appuyer sur la gâchette d'accélération jusqu'à ce que le régime désiré soit atteint. (Fig. 29)
- Pour diminuer le régime du souffleur pendant le fonctionnement, relâcher la gâchette d'accélération jusqu'à ce que le régime désiré soit atteint.

Démarrage du moteur lorsque le carburant est trop chaud

Si l'outil ne démarre pas, le carburant peut être trop chaud.

Remarque : Toujours utiliser du carburant neuf et réduire la durée de fonctionnement par temps chaud.

1. Placer l'outil dans un endroit frais à l'écart des rayons du soleil.
2. Laisser l'outil refroidir pendant au moins 20 minutes.

- Appuyer sur la pompe à carburant à plusieurs reprises pendant 10 à 15 secondes.
- Procéder de la même façon que pour le démarrage à froid. Se reporter à la section *Démarrage d'un moteur froid à la page 35*.

Utilisation du produit

- Utiliser le produit aux heures de travail habituelles. Respecter les règlements locaux.
- Réduire le nombre de pièces d'équipement et sélectionner la vitesse adaptée à votre tâche. Utiliser l'accélérateur à la position la plus basse possible pour éviter plus de bruit et de poussière que nécessaire.
- Maintenir la buse de soufflante près du sol.

Remarque : Husqvarna recommande d'utiliser l'extension de buse de soufflante complète.

- Noter la direction du vent et faire fonctionner le produit dans la direction du vent.
- Utiliser les outils de jardin appropriés pour dégager les matériaux du sol.
- Dans les zones où de la poussière est présente, utiliser un pulvérisateur pour mouiller la zone. Cela permet de réduire le temps de fonctionnement.
- Après utilisation, garder le produit en position verticale lors de l'entreposage.

Mise hors tension de l'appareil



MISE EN GARDE : Ne pas arrêter le produit à pleine vitesse.

- Appuyer sur l'interrupteur d'arrêt. (Fig. 30)

Remarque : Lorsque le produit s'arrête, un cliquetis se fait entendre. Il s'agit d'une caractéristique type qui n'est pas une indication d'un produit défectueux.

Pour régler le harnais

- Enfiler correctement le harnais du produit.
- Passer la ceinture autour de votre taille et attacher la boucle. (Fig. 31)
- Serrer la sangle de la ceinture. (Fig. 32)
- Attacher la boucle de la sangle de poitrine. (Fig. 33)
- Régler la position de la sangle de poitrine. (Fig. 34)
- Serrer la sangle de poitrine. (Fig. 35)
- Serrer les bretelles jusqu'à ce que le produit soit bien ajusté au corps. (Fig. 36)
- Serrer les sangles de rappel de charge. (Fig. 37)

Entretien

Introduction



AVERTISSEMENT : Lire et comprendre le chapitre sur la sécurité avant de faire l'entretien du produit.

Calendrier d'entretien

Entretien	Quotidien	Hebdomadaire	Mensuel
Nettoyer les surfaces externes.	X		
S'assurer que la poignée de commande fonctionne correctement.	X		
S'assurer que l'interrupteur de marche/arrêt fonctionne correctement. Se reporter à la section <i>Pour vérifier l'interrupteur de marche/arrêt à la page 33</i> .	X		
Examiner le moteur, le réservoir de carburant et les conduites de carburant pour détecter d'éventuelles fuites. Vérifier le filtre à carburant à la recherche de contamination. Remplacer le filtre à carburant au besoin.	X		
Nettoyer le filtre à air. Remplacer le filtre à air au besoin.	X		
Serrer les écrous et les vis.	X		
Examiner l'admission d'air et vérifier qu'elle n'est pas obstruée.	X		
Examiner le lanceur et la corde du lanceur pour détecter d'éventuels dommages.		X	

Entretien	Quotidien	Hebdomadaire	Mensuel
Examiner les éléments antivibrations pour s'assurer qu'ils ne présentent pas de dommages, de fissures ou de déformations. Vérifier que les éléments antivibrations sont correctement installés.		X	
Vérifier la bougie d'allumage. Se reporter à la section <i>Pour vérifier la bougie d'allumage à la page 37.</i>		X	
Nettoyer le système de refroidissement.		X	
Nettoyer la surface externe du carburateur et ses zones adjacentes.		X	
Nettoyer le réservoir de carburant.			X
Vérifier tous les câbles et toutes les connexions.			X
Examiner et nettoyer l'écran pare-étincelles sur le silencieux (pour les produits sans pot catalytique).		X	
Examiner et nettoyer l'écran pare-étincelles sur le silencieux (pour les produits avec pot catalytique).			X
Vérifier la bougie d'allumage. Les remplacer au besoin.			X

Réglage du régime de ralenti

1. S'assurer que le filtre à air est propre et que le couvercle de filtre à air est fixé.
2. Régler le régime de ralenti à l'aide de la vis de réglage de ralenti. Pour connaître l'emplacement de la vis de réglage de ralenti sur votre produit, se reporter à *Présentation de l'appareil à la page 29.*

Pour vérifier la bougie d'allumage



MISE EN GARDE : Utiliser la bougie recommandée. Se reporter à la section *Données techniques à la page 40.* Une bougie inadéquate peut endommager l'outil.

1. Couper le moteur et le laisser refroidir.
2. Nettoyer la bougie si elle est sale.
3. Vérifier que l'écartement des électrodes est correct. Se reporter à la section *Données techniques à la page 40.* (Fig. 38)
4. Remplacer la bougie d'allumage une fois par mois ou plus fréquemment, au besoin.

Pour entretenir le silencieux



MISE EN GARDE : Si l'écran pare-étincelles est souvent colmaté, cela peut être le signe d'une réduction de la performance du pot catalytique. Aller chez le fournisseur de services d'entretien pour examiner le silencieux. Un écran pare-étincelles obstrué provoque une surchauffe et une détérioration du cylindre et du piston.



MISE EN GARDE : Remplacer l'écran pare-étincelles s'il est endommagé. Ne pas utiliser un produit si l'écran pare-étincelles du silencieux est manquant ou défectueux.

- Nettoyer ou remplacer l'écran pare-étincelles du silencieux. Utiliser une brosse métallique. (Fig. 39)
- Laisser un fournisseur de service d'entretien remplacer ou effectuer l'entretien du silencieux et de l'écran pare-étincelles après 50 heures de fonctionnement.

Examiner et nettoyer le système de refroidissement

Le système de refroidissement comprend les ailettes de refroidissement du cylindre et la grille d'entrée d'air.

1. Couper le moteur.
2. S'assurer que le système de refroidissement n'est pas sale ou obstrué. Si nécessaire, nettoyer la grille d'entrée d'air et les ailettes de refroidissement.



MISE EN GARDE : Un système de refroidissement encrassé ou bloqué peut augmenter la température du moteur, ce qui peut endommager le produit. Une grille d'entrée d'air obstruée diminue la force de soufflage.

3. Examiner le système de refroidissement pour détecter d'éventuels dommages. S'assurer que les pièces sont correctement fixées au produit.

Nettoyage du filtre à air



MISE EN GARDE : Ne pas utiliser le produit sans filtre à air ni avec un filtre à air endommagé. La poussière dans l'air peut endommager le moteur.

1. Pousser le starter en position fermée.
2. Retirer le couvercle du filtre à air (A).
3. Retirer le préfiltre (B) du couvercle de filtre à air. (Fig. 40)
4. Retirer le filtre à air (C) du carter de filtre.

5. Nettoyer le préfiltre et le filtre à air avec de l'eau chaude et du savon.

Remarque : Un filtre à air utilisé pendant une longue période ne peut pas être complètement nettoyé. Remplacer régulièrement le filtre à air et toujours remplacer un filtre à air défectueux.

6. Nettoyer la surface intérieure du couvercle du filtre à air (A) à l'aide d'une brosse.
7. Placer le filtre à air dans le carter de filtre.
8. Fixer le filtre à air au couvercle du filtre à air.
9. Fixer le couvercle du filtre à air au produit.

Dépannage

Il est impossible de démarrer le moteur		
Vérification	Cause possible	Solution
Cliquets de lanceur à rappel.	Cliquets de lanceur à rappel bloqués ou usés.	Régler ou remplacer les cliquets de lanceur à rappel.
		Nettoyer alentour des cliquets.
		Communiquer avec un fournisseur de services d'entretien agréé.
Réservoir de carburant.	Type de carburant inapproprié.	Vidanger le réservoir de carburant et utiliser le carburant correct.
Carburateur.	Réglage du régime de ralenti.	Régler le régime de ralenti à l'aide de la vis de réglage de ralenti.
Allumage (aucun allumage).	Bougie d'allumage sale ou humide.	S'assurer que la bougie est propre et sèche.
	L'écartement des électrodes sur la bougie d'allumage est incorrect.	Nettoyer la bougie d'allumage. Vérifier que l'écartement des électrodes est correct. Consulter les caractéristiques techniques pour connaître l'écartement correct des électrodes.
Bougie d'allumage.	Bougie desserrée.	Serrer la bougie d'allumage.
	Il y a des débris sur les électrodes de la bougie d'allumage.	Vérifier que le mélange de carburant est correct. Vérifier que le filtre à air est propre.

Le moteur démarre, mais s'arrête à nouveau		
Vérification	Cause possible	Solution
Réservoir de carburant.	Type de carburant inapproprié.	Vidanger le réservoir de carburant et utiliser un carburant approprié.
Carburateur.	Le moteur ne fonctionne pas correctement au régime de ralenti.	Communiquer avec votre centre de services.
Filtre à air.	Filtre à air bouché.	Nettoyer le filtre à air.

Transport et entreposage

Transport et entreposage



AVERTISSEMENT : Pour éviter tout risque d'incendie, s'assurer qu'il n'y a pas de fuites ou de fumées pendant le transport ou l'entreposage. S'assurer qu'il n'y a pas de risque de production d'étincelles ou d'incendie.

- Vider le réservoir de carburant avant tout transport ou remisage pendant une période prolongée. Appuyez sur la poire d'amorçage d'air pour s'assurer que tout le carburant est retiré. Mettre au rebut le carburant à un emplacement adéquat.
- Avant d'entreposer le produit à long terme, s'assurer qu'il est bien nettoyé et en effectuer l'entretien complet.
- Retirer la bougie d'allumage et verser environ 15 ml d'huile deux-temps dans le cylindre. Faire tourner 3 fois le moteur à vide et remettre la bougie en place.
- Fixer le produit au véhicule de façon sécuritaire pendant le transport.
- Garder le produit dans un endroit sec et frais et propre avec une bonne circulation d'air. Garder la machine à l'écart des enfants.

Données techniques

Caractéristiques techniques

	Husqvarna 150BT (BP152HV)
Moteur	
Cylindrée, po ³ / cm ³	3,06/51,7
Régime de ralenti, tr/min	2800
Pot catalytique	Oui
Système d'allumage³	
Bougie d'allumage	NGK BPMR7A/Champion RCJ6Y
Écartement des électrodes, po / mm	0,023 à 0,027 / 0,6 à 0,7
Couple de serrage des bougies pi-lb (Nm)	18 à 22 / 25 à 30
Circuits d'alimentation et de lubrification	
Capacité du réservoir de carburant, pte US/ l	2,1/1,0
Poids	
Poids sans carburant, lb / kg	22,0/10,0
Rendement du ventilateur	
Vitesse maximale de l'air avec buse de haut régime, m/h/m/s	270/120,7
Débit d'air dans le carter, pi ³ /min / m ³ /min	765/21,7

³ Le système d'allumage par étincelles est conforme à la norme ICES-002 du Canada.



www.husqvarna.com

Original instructions
Instrucciones originales
Instructions d'origine

1142983-49



2022-08-17