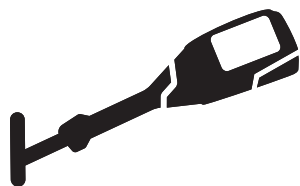




Husqvarna®



330iK

EN	Operator's manual
ES-MX	Manual del usuario
FR-CA	Manuel d'utilisation

2-18
19-38
39-58

Contents

Introduction.....	2	Troubleshooting.....	15
Safety.....	3	Transportation, storage and disposal.....	16
Assembly.....	11	Technical data.....	17
Operation.....	12	Accessories.....	18
Maintenance.....	14		

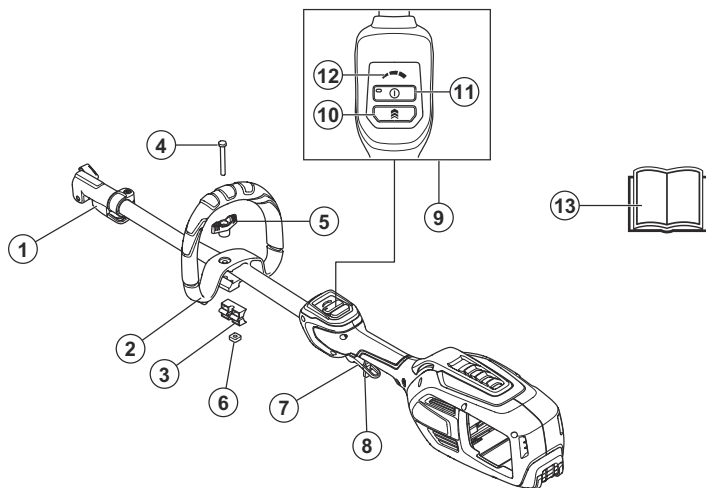
Introduction

Intended use

This power unit is a bare unit that only functions together with approved

accessories. See those approved accessories in *Accessories on page 18*. Make sure to read this manual together with the approved accessory manual.

Product overview



1. Coupling for attachment
2. Loop handle
3. Spacer
4. Screw
5. Knob
6. Nut
7. Power trigger
8. Power trigger lockout
9. Keypad
10. Speed mode button
11. Power button
12. Speed mode display
13. Operator's manual

Symbols on the product



WARNING! This product can be dangerous! Careless or incorrect use can result in serious or fatal injury to the operator or others. It is extremely important that you read and understand the contents of the operator's manual. Read the operator's manual carefully and make sure you understand the instructions before the product is used.



Make sure that long hair is put above your shoulders.



Keep the product away from water and rain.



Disconnect battery before maintenance.

yywwxxxxxx The rating plate shows the serial number. **yy** is the production year, **ww** is the production week and **xxxxxx** is the sequential number.

Note: Other symbols/decals on the product refer to certification requirements for other commercial areas.

California Proposition 65

WARNING

This product contains or emits a chemical known to the State of California to cause cancer or birth defects or other reproductive harm.

Manufacturer

Husqvarna Professional Products, Inc 9335 Harris Corners Pkwy, Charlotte, NC 28269, USA

Product damage

We are not responsible for damages to our product if:

- the product is incorrectly repaired.
- the product is repaired with parts that are not from the manufacturer or not approved by the manufacturer.
- the product has an accessory that is not from the manufacturer or not approved by the manufacturer.
- the product is not repaired at an approved service center or by an approved authority.

Safety

Safety definitions

Warnings, cautions and notes are used to point out specially important parts of the manual.



WARNING: Used if there is a risk of injury or death for the operator or bystanders if the instructions in the manual are not obeyed.



CAUTION: Used if there is a risk of damage to the product, other materials or the adjacent area if the instructions in the manual are not obeyed.

Note: Used to give more information that is necessary in a given situation.

IMPORTANT SAFETY INSTRUCTIONS

Read all instructions



WARNING: Make sure to read the approved accessory manual together with this power unit's manual.



WARNING: When using electric gardening products, basic safety precautions should always be followed to reduce the risk of fire, electric shock, and personal injury, including the following:

General power tool safety warnings



WARNING: Read all safety warnings, instructions, illustrations and specifications provided with this power tool. Failure to follow all instructions listed below may result in electric shock, fire and/or serious injury.

- **Save all warnings and instructions for future reference.** The term "power tool" in the warnings refers to your mains-operated (corded) power tool or battery-operated (cordless) power tool.

Work area safety

- **Keep work area clean and well lit.** Cluttered or dark areas invite accidents.
- **Do not operate power tools in explosive atmospheres, such as in the presence of flammable liquids, gases or dust.** Power tools create sparks which may ignite the dust or fumes.
- **Keep children and bystanders away while operating a power tool.** Distractions can cause you to lose control.

Personal safety

- **Stay alert, monitor what you are doing and use common sense when operating a power tool. Do not use a power tool while you are tired or under the influence**

of drugs, alcohol or medication. A moment of inattention while operating power tools may result in serious personal injury.

- **Use personal protective equipment. Always wear eye protection.** Protective equipment such as dust mask, non-skid safety shoes, hard hat, or hearing protection used for appropriate conditions will reduce personal injuries.
- **Prevent unintentional starting. Ensure the switch is in the OFF-position before connecting to a power source and/or battery pack, picking up or carrying the tool.** Carrying power tools with your finger on the switch or energizing power tools that have the switch on invites accidents.
- **Remove any adjusting key or wrench before turning the power tool on.** A wrench or a key left attached to a rotating part of the power tool may result in personal injury.
- **Do not overreach. Keep proper footing and balance at all times.** This enables better control of the power tool in unexpected situations.
- **Dress properly. Do not wear loose clothing or jewelry. Keep your hair, clothing and gloves away from moving parts.** Loose clothes, jewelry or long hair can be caught in moving parts.
- **If devices are provided for the connection of dust extraction and collection facilities, ensure these are connected and properly used.** Use of dust collection can reduce dust-related hazards.
- **Do not let familiarity gained from frequent use of tools allow you to become complacent and ignore tool safety principles.** A careless action can cause severe injury within a fraction of a second

Power tool use and care

- **Do not force the power tool. Use the correct power tool for your application.** The correct power tool will do the job better and safer at the rate for which it was designed.
- **Do not use the power tool if the switch does not turn it on and off.** Any power tool that cannot be controlled with the switch is dangerous and must be repaired.
- **Disconnect the plug from the power source and/or remove the battery pack, if detachable, from the power tool before making any adjustments, changing**

accessories, or storing power tools. Such preventive safety measures reduce the risk of starting the power tool accidentally.

- **Store idle power tools out of the reach of children and do not allow persons unfamiliar with the power tool or these instructions to operate the power tool.** Power tools are dangerous in the hands of untrained users.
- **Maintain power tools and accessories. Check for misalignment or binding of moving parts, breakage of parts and any other condition that may affect the power tool's operation. If damaged, have the power tool repaired before use.** Many accidents are caused by poorly maintained power tools.
- **Keep cutting tools sharp and clean.** Properly maintained cutting tools with sharp cutting edges are less likely to bind and are easier to control.
- **Use the power tool, accessories and tool bits etc. in accordance with these instructions, taking into account the working conditions and the work to be performed.** Use of the power tool for operations different from those intended could result in a hazardous situation.
- **Keep handles and grasping surfaces dry, clean and free from oil and grease.** Slippery handles and grasping surfaces do not allow for safe handling and control of the tool in unexpected situations.

Battery tool use and care

- **Recharge only with the charger specified by the manufacturer.** A charger that is suitable for one type of battery pack may create a risk of fire when used with another battery pack.
- **Use power tools only with specifically designated battery packs.** Use of any other battery packs may create a risk of injury and fire.
- **When battery pack is not in use, keep it away from other metal objects, like paper clips, coins, keys, nails, screws or other small metal objects, that can make a connection from one terminal to another.** Shorting the battery terminals together may cause burns or a fire.
- **Under abusive conditions, liquid may be ejected from the battery; avoid contact. If contact accidentally occurs, flush with water. If liquid contacts eyes, additionally**

seek medical help. Liquid ejected from the battery may cause irritations or burns.

- **Do not use a battery pack or tool that is damaged or modified.** Damaged or modified batteries may exhibit unpredictable behaviour resulting in fire, explosion or risk of injury.
- **Do not expose a battery pack or tool to fire or excessive temperature.** Exposure to fire or temperature above 265°F/130°C may cause explosion.
- **Follow all charging instructions and do not charge the battery pack or tool outside the temperature range specified in the instructions.** Charging improperly or at temperatures outside the specified range may damage the battery and increase the risk of fire.

Service

- **Have your power tool serviced by a qualified repair person using only identical replacement parts.** This will ensure that the safety of the power tool is maintained.
- **Never service damaged battery packs.** Service of battery packs should only be performed by the manufacturer or authorized service providers.

Grass trimmer, brush cutter and brush saw safety warnings

- **Do not use the machine in bad weather conditions, especially when there is a risk of lightning.** This decreases the risk of being struck by lightning.
- **Thoroughly inspect the area for wildlife where the machine is to be used.** Wildlife may be injured by the machine during operation.
- **Thoroughly inspect the area where the machine is to be used and remove all stones, sticks, wires, bones, and other foreign objects.** Thrown objects can cause personal injury.
- **Before using the machine, always visually inspect to see that the cutter or blade and the cutter or blade assembly are not damaged.** Damaged parts increase the risk of injury.
- **Follow instructions for changing accessories.** Improperly tightened blade securing nuts or bolts may either damage the blade or result in it becoming detached.

- **The rated rotational speed of the cutter must be at least equal to the maximum rotational speed marked on the machine.** Cutters running faster than their rated rotational speed can break and fly apart.
- **Wear eye, ear, head and hand protection.** Adequate protective equipment will reduce personal injury by flying debris or accidental contact with the cutting line or blade.
- **While operating the machine, always wear non-slip protective footwear. Do not operate the machine when barefoot or wearing open sandals.** This reduces the chance of injury to the feet from contact with a moving cutter, line or blade.
- **While operating the machine, always wear long trousers.** Exposed skin increases the likelihood of injury from thrown objects.
- **Keep bystanders away while operating the machine.** Thrown debris can result in serious personal injury.
- **Always use two hands when operating the machine.** Holding the machine with both hands will avoid loss of control.
- **Hold the machine by the insulated gripping surfaces only, because the cutting line or blade may contact hidden wiring.** Cutting line or blades contacting a "live" wire may make exposed metal parts of the machine "live" and could give the operator an electric shock.
- **Always keep proper footing and operate the machine only when standing on the ground.** Slippery or unstable surfaces may cause a loss of balance or control of the machine.
- **Do not operate the machine on excessively steep slopes.** This reduces the risk of loss of control, slipping and falling which may result in personal injury.
- **When working on slopes, always be sure of your footing, always work across the face of slopes, never up or down and exercise extreme caution when changing direction.** This reduces the risk of loss of control, slipping and falling which may result in personal injury.
- **Keep all parts of the body away from the cutter, line or blade when the machine is operating. Before you start the machine, make sure the cutter, line or blade is not contacting anything.** A moment of inattention while operating the machine may result in injury to yourself or others.
- **Do not operate the machine above waist height.** This helps prevent unintended cutter or blade contact and enables better control of the machine in unexpected situations.
- **When cutting brush or saplings that are under tension, be alert for spring back.** When the tension in the wood fibres is released, the brush or sapling may strike the operator and/or throw the machine out of control.
- **Use extreme caution when cutting brush and saplings.** The slender material may catch the blade and be whipped toward you or pull you off balance.
- **Maintain control of the machine and do not touch cutters, lines or blades and other hazardous moving parts while they are still in motion.** This reduces the risk of injury from moving parts.
- **When clearing jammed material or servicing the machine, make sure all power switches are off and the battery pack is removed or the power cord is disconnected.** Unexpected starting of the machine while clearing jammed material or servicing may result in serious personal injury.
- **Carry the machine with the machine switched off and away from your body.** Proper handling of the machine will reduce the likelihood of accidental contact with a moving cutter, line or blade.
- **When transporting or storing the machine, always fit the cover on metal blades.** Proper handling of the machine will reduce the likelihood of accidental contact with the blade.
- **Only use replacement cutters, lines, cutting heads and blades specified by the manufacturer.** Incorrect replacement parts may increase the risk of breakage and injury.

Other general safety information

- Deactivate the product before you move to another area. Always remove the battery when passing the product to another person.
- Never put the product down unless you have deactivated it and removed

the battery. Do not leave the product unsupervised when it is switched on.

- The cutting tool does not stop immediately after the product is turned off.
 - Before using the product and after any impact, check for signs of wear or damage and repair as necessary.
 - If anything jams in the cutting attachment while you operate the product, stop and deactivate the product. Make sure that the cutting attachment stops completely. Remove the battery before you clean, inspect or repair the product and/or the cutting equipment.
 - Do a check of the product before use. Refer to, *Safety devices on the product on page 9* and *Maintenance on page 14*. Do not use a damaged product. Do the safety checks, maintenance and service instructions described in this manual.
 - Faulty cutting attachment can increase the risk of accidents.
 - Check the product for dirt and cracks. Clean off grass and leaves from the product using a brush. Gloves should be worn when necessary.
 - Always ensure that ventilation openings are kept clear of debris.
 - Check that the trimmer head is completely attached to the trimmer.
 - All covers, guards and handles must be fitted before starting.
 - Check that the product is in perfect working order. Check that all nuts and screws are tight.
 - Check that the trimmer head and trimmer guard are not damaged or cracked. Replace the trimmer head or trimmer guard if it has been exposed to impact or is cracked. Always use the recommended guard for the cutting attachment you are using. Refer to *Accessories on page 18*.
 - This product is a dangerous tool if you are not careful or if you use the product incorrectly. This product can cause serious injury or death to the operator or others.
 - This product is not intended for use by persons (including children) with reduced physical, sensory or mental capabilities, or lack of experience and knowledge, unless they have been given supervision or instruction concerning use of the product by a person responsible for their safety.
- Children should be supervised to ensure that they do not play with the product.
- Never allow children to use or be in the vicinity of the machine. Since the machine is easy to start, children may be able to start it if they are not kept under full supervision. This can mean a risk of serious personal injury. Therefore disconnect the battery when the machine is not under close supervision.
 - Never allow children or other persons not trained in the use of the product and/or the battery to use or service it.
 - Store the equipment in a lockable area so that it is out of reach of children and unauthorized persons.
 - The transport cover must always be used for storage and transport.
 - Keep hands and feet away from the cutting area at all times and especially when switching on the motor.
 - Keep your hands and feet away from the cutting attachment until it has stopped completely when the product is deactivated.
 - Do not remove the cut material, or let other persons remove cut material, while the product is activated or the cutting equipment rotates, as this can result in serious injury.
 - Keep in mind that it is you, the operator that is responsible for not exposing people or their property to accidents or hazards.
 - Under no circumstances may the design of the product be modified without the permission of the manufacturer. Always use original accessories. Non-authorized modifications and/or accessories can result in serious personal injury or the death of the operator or others. Your warranty may not cover damage or liability caused by the use of non-authorized accessories or replacement parts.
 - The only accessories you can operate with this product are the cutting attachments recommended in the Accessories chapter. Refer to *Accessories on page 18*.
 - Never use a product that has been modified in any way from its original specification
 - Never use a product that is faulty. Carry out the safety checks, maintenance and service instructions described in this manual. Some maintenance and service

- measures must be carried out by trained and qualified specialists. See instructions under the Maintenance heading.
- Working in bad weather is tiring and often brings added risk. Due to the added risk, it is not recommended to use the machine in very bad weather, for instance in dense fog, heavy rain, strong winds, intense cold, risk of lightning, etc
 - Never work from a ladder, stool or any other raised position that is not fully secured.
 - Store Idle Products Indoors – When not in use, products should be stored indoors
 - It is not possible to cover every conceivable situation you can face. Always exercise care and use your common sense. Avoid all situations which you consider to be beyond your capability. If you still feel uncertain about operating procedures after reading these instructions, you should consult an expert before continuing.
 - Ensure that no people or animals come closer than 50 ft (15 m) while you work. When several operators are working in the same area the safety distance should be at least 50 ft (15 m). Otherwise there is a risk of serious personal injury. Stop the product immediately if anyone approaches. Never swing the product around without first checking behind you to make sure that no one is within the safety zone.
 - Ensure that people, animals or other things can not affect your control of the product or that they do not come in contact with the cutting attachment or loose objects that are thrown out by the cutting attachment. However, do not use the product unless you are able to call for help in the event of an accident.
 - Make sure that you can move and stand safely. Check the area around you for possible obstacles (roots, rocks, branches, ditches, etcetera) in case you have to move suddenly. Take great care when you work on sloping ground.
 - Walk, never run.
 - Inspect the working area. Remove all loose objects, such as stones, broken glass, nails, steel wire, string etc. that could be thrown out or become wrapped around the cutter or cutter guard.
 - Watch out for stumps of branches that can be thrown out when you cut. Do not cut too close to the ground where stones and other objects can be thrown out.
 - Make sure that no clothes or parts of the body come in contact with the cutting attachment when the product is activated. Keep the product below waist level.
 - Watch out for thrown objects. Always wear approved eye protection. Never lean over the cutting attachment guard. Stones, rubbish, etc., can be thrown up into the eyes which can cause blindness or serious injury.
 - Listen out for warning signals or shouts when you wear hearing protection. Always remove your hearing protection as soon as the product stops.
 - If any unwanted vibrations occur, tap out new line to give the line the correct length to stop the vibrations.
 - If the product starts vibrating abnormally, stop the product and remove the battery.
 - Overexposure to vibration can lead to circulatory damage or nerve damage in persons who have poor circulation. Speak to your physician if you experience symptoms of overexposure to vibration. Such symptoms include numbness, loss of feeling, tingling, pricking, pain, loss of strength, changes in skin color or condition. These symptoms usually show in the fingers, hands or wrists.
 - The vibration emission during actual use of the power tool can differ from the declared total value depending on the ways in which the tool is used. Operators should identify safety measures to protect themselves that are based on an estimation of exposure in the actual conditions of use (taking account of all parts of the operating cycle such as the times when the tool is switched off and when it is running idle in addition to the trigger).
 - Always hold the product with both hands. Hold the product on the right side of your body.

Personal protective equipment



WARNING: Read the warning instructions that follow before you use the product.

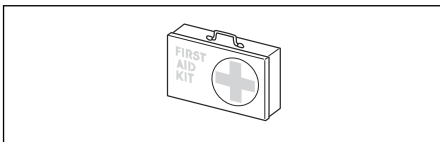
- Always use approved personal protective equipment when you use the product. Personal protective equipment cannot fully prevent injury but it decreases the degree of injury if an accident does occur. Let your dealer help you select the right equipment.
- Use a protective helmet where there is a risk of falling objects.
- Use approved hearing protection that provides adequate noise reduction. Long-term exposure to noise can result in permanent hearing impairment.
- Use approved eye protection. If you use a visor, you must also use approved protective goggles. Approved protective goggles must comply with the ANSI Z87.1 standard in the USA or EN 166 in EU countries.
- Use a visor for face protection. A visor is not enough for protection of the eyes.



- Use gloves when necessary, for example when you attach, examine or clean the cutting equipment.
- Use sturdy non-slip boots.
- Use clothing made of a strong fabric. Always use heavy, long pants and long sleeves. Do not use loose clothing that can catch on twigs and branches. Do not wear jewelry, short pants, sandals or go with bare feet. Put your hair up safely above shoulder level.



- Keep first aid equipment close at hand.



Safety devices on the product



WARNING: Read the warning instructions that follow before you use the product.

In this section the product's safety features, its purpose and how checks and maintenance should be carried out to ensure that it operates correctly. See instructions under the heading *Introduction on page 2* to find where these parts are located on your product.

The life span of the product can be reduced and the risk of accidents can increase if product maintenance is not carried out correctly and if service and/or repairs are not carried out professionally. If you need further information please contact your nearest servicing dealer.



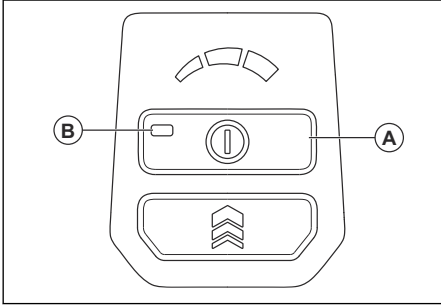
WARNING: Never use a product with damaged safety components. The product's safety equipment must be inspected and maintained as described in this section. If your product fails any of these checks, contact your service agent to get it repaired.



CAUTION: All servicing and repair work on the machine requires special training. This is especially true of the machine's safety equipment. If your machine fails any of the checks described below you must contact your service agent. When you buy any of our products we guarantee the availability of professional repairs and service. If the retailer who sells your machine is not a servicing dealer, ask him for the address of your nearest service agent.

To do a check of the keypad

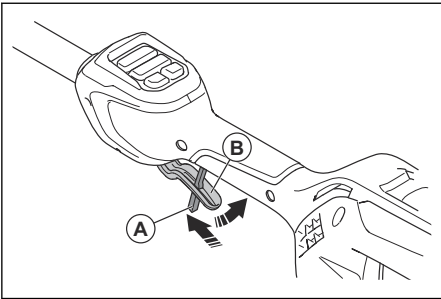
- Push and hold the power button (A).



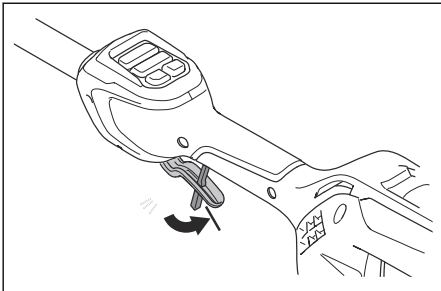
- a) The product is on when the LED (B) is on.
- b) The product is off when the LED (B) is off.

To do a check of the power trigger lockout

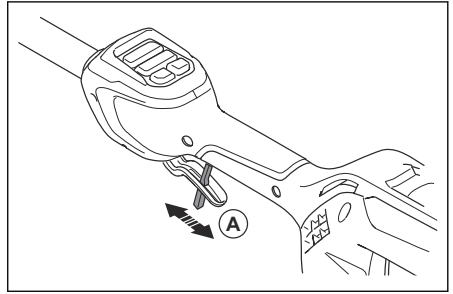
The power trigger lockout prevents accidental start. When you push the power trigger lockout (A) forward, it releases the power trigger (B). When you release the handle, the power trigger and the power trigger lockout move back to their initial positions.



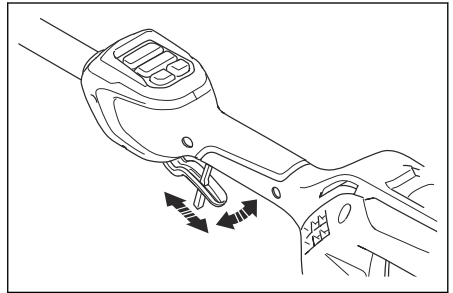
1. Make sure that the power trigger is locked when the power trigger lockout is in its initial position.



2. Push the power trigger lockout (A) forward. Make sure that it moves back to its initial position when you release it.



3. Make sure that the power trigger and the power trigger lockout moves freely and that the return spring works correctly.



4. Start the product. Refer to *To start the product on page 13*.
5. Apply full power.
6. Release the power trigger lockout and make sure that the cutting attachment stops fully.

Safety instructions for assembly



WARNING: Read this power unit manual together with approved accessory manual.

- Remove the battery from the product before you assemble the product.
- Use the approved protective gloves.
- A damaged or incorrect guard can cause injury. Do not use a cutting attachment that does not have an approved guard attached.
- Make sure that you assemble the cover and shaft correctly before you start the product.
- If a harness is supplied with the attachment, the harness must be correctly

attached to the product. The harness makes operation more efficient.

Safety instructions for maintenance



WARNING: Read the warning instructions that follow before you do maintenance on the product.

- Remove the battery before you do maintenance, other checks or assemble the product.
- The operator must only do the maintenance and servicing shown in this operator's manual. Turn to your servicing dealer for maintenance and servicing of a larger extension.
- Do not clean the battery or the battery charger with water. Strong detergent can cause damage to the plastic.
- If you do not do maintenance, it decreases the life cycle of the product and increases the risk of accidents.
- Special training is necessary for all servicing and repair work, especially for

the safety devices on the product. If not all checks in this operator's manual are approved after you have done maintenance, turn to your servicing dealer. We guarantee that there are professional repairs and servicing available for your product.

- Only use original spare parts.
- Always use heavy duty gloves when you repair the cutting attachment. The blades are very sharp and can easily cause injuries.



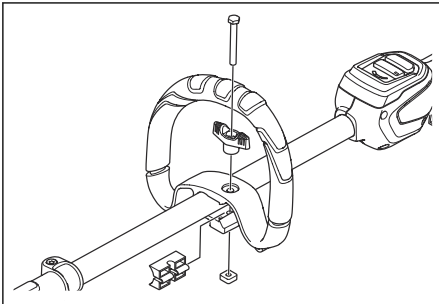
WARNING: Do not pressure wash the machine, as water can enter the electrical system or the motor and cause damage to the machine or short circuit.

SAVE THESE INSTRUCTIONS

Assembly

To assemble the loop handle

1. Attach the loop handle onto the shaft between the arrows.

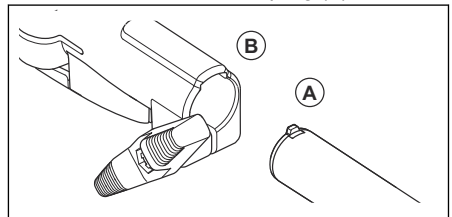


2. Move the spacer into the slot of the loop handle.
3. Install the screw and the knob. Do not tighten too much.
4. Adjust the loop handle to an applicable position.
5. Tighten the knob.

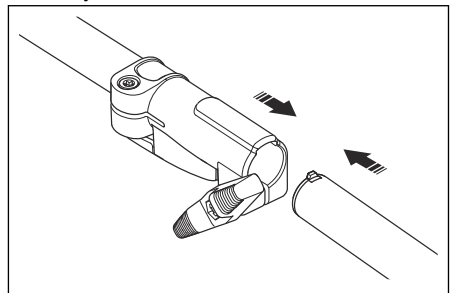
To assemble the two-piece shaft

1. Turn the knob to loosen the coupling.

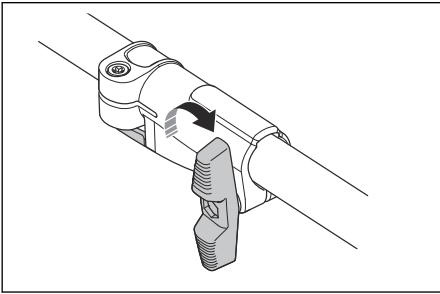
2. Align the tab of the cutting attachment (A) with the notch of the coupling (B).



3. Carefully push the shaft into the coupling until you hear a click.

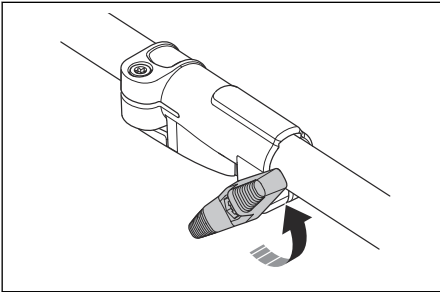


4. Tighten the knob fully.

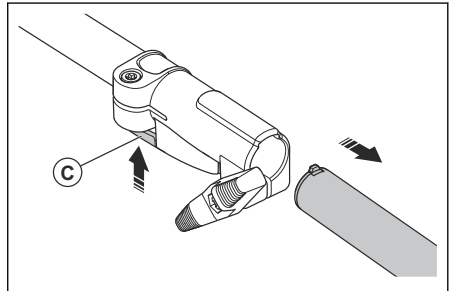


To disassemble the two-piece shaft

1. Turn the knob 3 turns or more to loosen the coupling.



2. Push and hold the button (C).
3. Hold tight to the end of the shaft that the motor is attached to.
4. Pull the attachment straight out of the coupling.



Operation

Introduction



WARNING: Read and understand the safety chapter before you use the product.

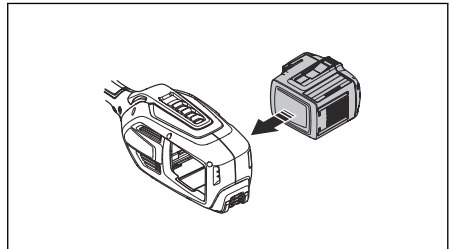
To connect the battery to the product



WARNING: Only use Husqvarna original batteries with the product.

1. Make sure that the battery is fully charged.

2. Push the battery into the battery holder of the product. The battery locks into position when you hear a click.



CAUTION: If the battery does not move easily into the battery holder, the battery is not installed correctly. This can cause damage to the product.

3. Make sure that the battery is installed correctly.

Work position

- Hold the product with 2 hands.

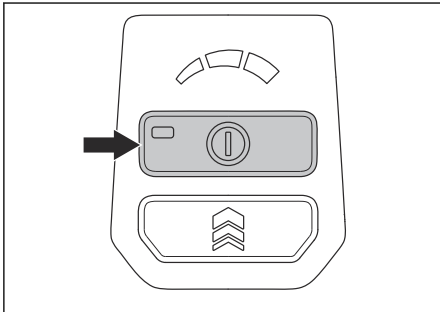
- Hold the product on the right side of your body.
- Keep the cutting attachment below waist level.
- Keep body parts away from the hot surfaces.
- Keep body parts away from the cutting attachment.

Before you operate the product

- Examine the work area to make sure that you know the type of terrain, the slope of the ground and if there are obstacles such as stones, branches and ditches.
- Do an overhaul inspection of the product.
- Do the safety inspections, maintenance and servicing that are given in this manual.
- Make sure that all covers, guards, handles and accessories are correctly attached and not damaged.

To start the product

1. Put the product in the start position.
2. Push and hold the power button until the green LED comes on.



3. Use the power trigger to control the speed.

Speed mode function

You can use the product in 3 speed modes.

- Eco mode: On the speed mode display 1 LED comes on when you operate the product. Use the eco mode for easier tasks and to extend the battery life.
- Normal mode: On the speed mode display 2 LEDs come on when you operate the product. Normal mode is applicable for most tasks. The product is set to the normal mode when started.
- Boost mode: On the speed mode display all 3 LEDs come on when you operate

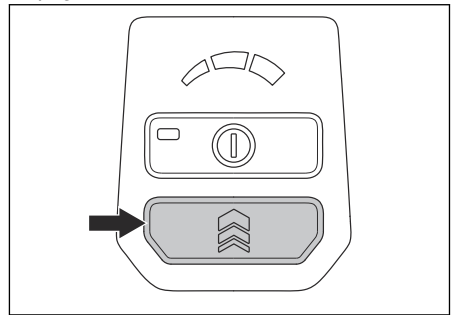
the product. Use the boost mode for tasks where more force is necessary.

Note: If you release the power trigger, the product sets to the last speed mode when you start it again. If the product automatically stops, the product sets to normal mode when you start it again.

To select a speed mode

You can set necessary speed mode when you operate the product.

- Push the speed mode button until the correct speed mode is selected. The LEDs come on, refer to *Speed mode function on page 13*.

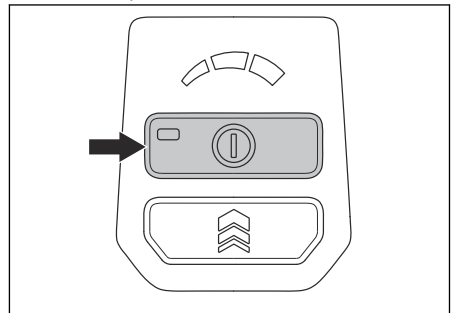


Automatic shutdown function

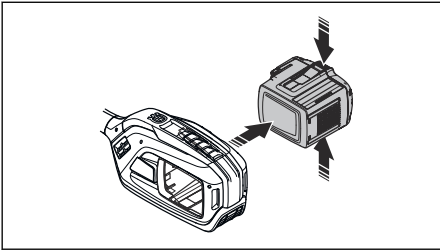
The product has an automatic shutdown function that stops the product if the product is not used. The green LED for start/stop indication goes off and the product stops after 120 seconds.

To stop the product

1. Release the power trigger or the power trigger lockout.
2. Push the power button.



3. Push the release buttons on the battery and pull the battery out.



Maintenance

Introduction



WARNING: Before you do any maintenance work you must read and understand the safety chapter.

Maintenance schedule



WARNING: Remove the battery before you do maintenance.

The following is a list of the maintenance steps that you must do on the product.

Maintenance	Daily	Weekly	Monthly
Clean the external parts of the product with a dry cloth. Do not use water.	X		
Examine that the power button works correctly and is not damaged.	X		
Make sure that the power trigger and the power trigger lockout function correctly from a safety point of view.	X		
Make sure that all controls work and are not damaged.	X		
Keep the handles dry, clean and free from oil and grease.	X		
Make sure that the screws and nuts are tight.	X		
Make sure that the battery release buttons on the battery works and locks the battery in the product.	X		
Make sure that the battery is not damaged.	X		
Make sure that the battery is charged.	X		
Make sure that the battery charger is not damaged and operates correctly.	X		
Examine all cables, couplings and connections. Make sure they are not damaged and free from dirt.		X	
Do a check of the connections between the battery and the product. Do a check of the connection between the battery and the battery charger.			X

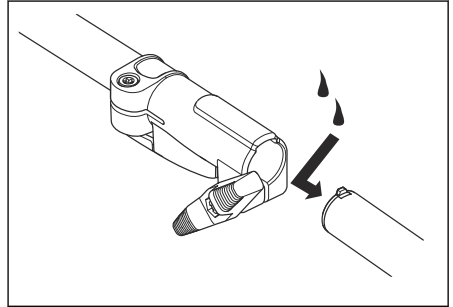
To clean the product, the battery and the battery charger

1. Clean the product with a dry cloth after use.
2. Clean the battery and battery charger with a dry cloth. Keep the battery guide tracks clean.
3. Make sure that the terminals on the battery and the battery charger are clean before the battery is put in the battery charger or the product.

Two piece-shaft

Apply grease to the end of the drive shaft after each 30 hours of operation. There is a risk

that the drive shaft ends (splined coupling) on models with two-piece shafts will seize if they are not lubricated regularly.



Troubleshooting

Keypad

Power button LED flashes	Possible faults	Possible action
Continuous	Low battery power.	Charge the battery.
2 flashes	Undervoltage.	<ol style="list-style-type: none"> 1. Turn off the product. 2. Turn on the product again. 3. If the problem continues, speak to your servicing agent.
3 flashes	Bad battery.	Replace the battery.
4 flashes	Overcurrent.	<ol style="list-style-type: none"> 1. Turn off the product. 2. Turn on the product again. 3. If the problem continues, speak to your servicing agent.
5 flashes	High temperature.	Let the product cool down.
6 flashes	Rotation block fault.	<ol style="list-style-type: none"> 1. Turn off the product. 2. Turn on the product again. 3. If the problem continues, speak to your servicing agent.
9 flashes	Protection mode activated.	<ol style="list-style-type: none"> 1. Turn off the product. 2. Turn on the product again. 3. Change your work method if the protection mode turns on again.
10 flashes	Battery communication error.	<ol style="list-style-type: none"> 1. Remove the battery. 2. Clean the battery connectors with compressed air or a soft brush. 3. Install the battery again correctly.

Battery

Condition	Possible faults	Possible procedure
The battery warning LED flashes.	Temperature deviation, the battery is too cold or too hot to use.	Let the battery cool down or move it indoors to warm it up. When the battery has the correct temperature, it can be used again. Use the battery in ambient temperatures specified in <i>Technical data on page 17</i> .
	The battery is empty.	Charge the battery.
The battery warning LED comes on.	Permanent battery error.	Speak to your dealer.

Battery charger

Condition	Possible faults	Possible procedure
The charging LED is red.	Permanent battery charger error.	Speak to your dealer.
The charging LED flashes red.	Temperature deviation, the battery is too cold or too hot to use or charge.	Let the battery cool down or warm it up. When the battery has the correct temperature, it can be used or charged again. Use the battery charger in ambient temperatures specified in <i>Technical data on page 17</i> .
The charging LED flashes green.		
The charging LED flashes red.	Faulty battery.	Speak to your dealer.

Transportation, storage and disposal

Transportation and storage

- Obey approved Li-ion Dangerous Good Legislation requirements.
- Obey the special requirement on package and labels for commercial transportation, including by third parties and forwarding agents.
- Speak to a person with special training in dangerous material before you send the product. Obey all applicable national regulations.
- Use tape on open contacts when you put the battery in a package. Put the battery in the package tightly to prevent movement.
- Remove the battery for storage or transportation.
- Put the battery and the battery charger in a space that is dry and free from moisture and frost.
- Do not keep the battery in an area where static electricity can occur. Do not keep the battery in a metal box.
- Put the battery in storage where the temperature is between 41°F/5°C and 77°F/25°C and away from open sunlight.
- Put the battery charger in storage where the temperature is between 41°F/5°C and 113°F/45°C and away from open sunlight.

- Use the battery charger only when the surrounding temperature is between 41°F/5°C and 104°F/40°C.
- Charge the battery 30% to 50% before you put it in storage for long periods.
- Put the battery charger in storage in a space that is closed and dry.
- Keep the battery away from the battery charger during storage. Do not let children and other not approved persons to touch the equipment. Keep the equipment in a space that you can lock.
- Clean the product and do a full servicing before you put the product in storage for a long time.
- Use the transportation guard on the product to prevent injuries or damage on the product during transportation and storage.

- Attach the product safely during transportation.

Disposal of the battery, battery charger and product

Symbols on the product or the package of the product means that the product is not domestic waste. Recycle it at a recycling station for electrical and electronic equipment. This helps to prevent damage to the environment and to persons.

Get in touch with your local authorities, domestic waste service or your dealer for more information about how to recycle your product.

Technical data

	330iK
Motor	
Motor type	BLDC (brushless) 36 V
Weight	
Weight (power unit only), lb/kg	5.8/2.63
Temperature limits	
Ambient temperature for operation, °F/°C	14–104/-10–40
Ambient temperature for storage, °F/°C	41–77/5–25

Approved batteries for the product

Battery	BLI22	BLI30	40-B140
Type	Lithium-ion	Lithium-ion	Lithium-ion
Battery capacity, Ah	4.2	7.5	4.0
Nominal voltage, V	36	36	36
Weight, lb/kg	2.9/1.3	4.2/1.9	2.6/1.2

Approved battery chargers

Battery charger	QC250	40-C80
Input voltage, V	100-240	100-240
Frequency, Hz	50-60	50-60
Power, W	250	80

Accessories

Attachments

Approved attachments	Use with
Trimmer attachment TA320	330iK
Brush cutter attachment BCA850	330iK
Reciprocator attachment RA850	330iK
Blower attachment BA101	330iK
Edger attachment ECA308	330iK
Edger attachment ECA850	330iK
Edger attachment ESA850	330iK
Hedge trimmer attachment HA322	330iK
Hedge trimmer attachment HA860	330iK
Saw attachment PA310	330iK
Clean sweep attachment SR600-2	330iK
Bristle brush attachment BR600	330iK
Dethatcher attachment DT600	330iK
Cultivator attachment CA230	330iK

Contenido

Introducción.....	19	Solución de problemas.....	34
Seguridad.....	20	Transporte, almacenamiento y eliminación de residuos.....	36
Montaje.....	30	Datos técnicos.....	36
Funcionamiento.....	31	Accesorios.....	37
Mantenimiento.....	33		

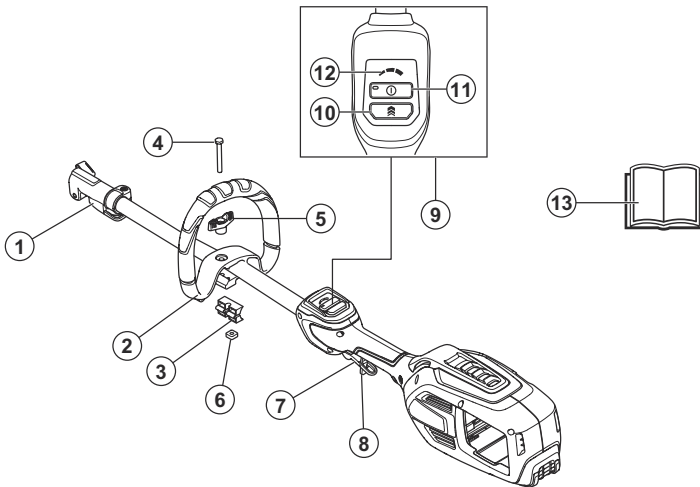
Introducción

Uso previsto

Esta unidad de alimentación es una unidad independiente que solo funciona con accesorios homologados. Consulte estos

accesorios homologados en *Accesorios en la página 37*. Asegúrese de leer este manual junto con el manual de accesorios homologados.

Descripción general del producto



1. Acoplamiento para el accesorio
2. Mango cerrado
3. Separador
4. Tornillo
5. Perilla
6. Tuerca
7. Gatillo de potencia
8. Bloqueo del gatillo de alimentación
9. Teclado
10. Botón de modo de velocidad
11. Botón de encendido
12. Pantalla de modo de velocidad
13. Manual del usuario

Símbolos en el producto



ADVERTENCIA: Este producto puede ser peligroso. El uso incorrecto o descuidado puede provocarle daños mortales al operador u otras personas. Es muy importante que lea y comprenda el contenido del manual de usuario. Lea cuidadosamente el manual de usuario y asegúrese de comprender las indicaciones antes de utilizar el producto.



Si tiene el cabello largo, asegúrese de amarrarlo sobre sus hombros.



Mantenga el producto alejado del agua y de la lluvia.



Desconecte la batería antes de realizar el mantenimiento.

yywwwxxxxxx

En la placa de características, se muestra el número de serie. **yy** es el año de producción, **ww** es la semana de producción y **xxxxxx** es el número de secuencia.

Tenga en cuenta: Otros símbolos o etiquetas del producto hacen referencia a requisitos de certificación para otras zonas comerciales.

Propuesta 65 de California



Fabricante

Husqvarna Professional Products, Inc 9335 Harris Corners Pkwy, Charlotte, NC 28269, USA

Daños en el producto

No somos responsables de los daños a nuestro producto en los siguientes casos:

- el producto se repara incorrectamente
- el producto se repara con piezas que no son del fabricante o que este no autoriza
- el producto tiene un accesorio que no es del fabricante o que este no autoriza
- el producto no se repara en un centro de servicio autorizado o por una autoridad aprobada.

Seguridad

Definiciones de seguridad

Las advertencias, precauciones y notas se utilizan para señalar las piezas particularmente importantes del manual.



ADVERTENCIA: Se utilizan para señalar el riesgo de lesiones graves o mortales para el operador o para aquellos que se encuentren cerca si no se siguen las instrucciones del manual.



AVISO: Se utilizan para señalar el riesgo de dañar la máquina, otros materiales o el área adyacente si no se siguen las instrucciones del manual.

Tenga en cuenta: Se utilizan para entregar más información necesaria en situaciones particulares.

INSTRUCCIONES DE SEGURIDAD IMPORTANTES

Lea todas las instrucciones



ADVERTENCIA: Asegúrese de leer el manual de accesorios homologados junto con este manual de la unidad de alimentación.



ADVERTENCIA: Cuando utilice productos eléctricos para jardines, siga siempre las precauciones de seguridad básicas para reducir el riesgo de incendio, descarga eléctrica y daños personales, como los siguientes:

Advertencias de seguridad generales de la herramienta eléctrica



ADVERTENCIA: Lea todas las advertencias de seguridad, las instrucciones, las ilustraciones y las especificaciones que se suministran con esta herramienta eléctrica. En caso de no seguir todas las instrucciones que se entregan a continuación, se pueden producir sacudidas eléctricas, incendios o daños graves.

- **Guarde todas las advertencias e instrucciones para futuras referencias.** El término “herramienta eléctrica” que se indica en las advertencias hace referencia a la herramienta eléctrica (con cable) operada con corriente o a la herramienta eléctrica operada con baterías (inalámbrica).

Seguridad en el área de trabajo

- **Mantenga el área de trabajo limpia y bien iluminada.** Las áreas desordenadas u oscuras pueden generar accidentes.
- **No opere herramientas eléctricas en atmósferas explosivas, como ante presencia de gases, polvo o líquidos**

inflamables. Las herramientas eléctricas generan chispas que pueden encender el polvo o humos.

- **Mantenga alejados a niños y transeúntes mientras opera una herramienta eléctrica.** Las distracciones pueden hacerle perder el control.

Seguridad personal

- **Permanezca alerta, ponga atención a lo que está haciendo y use el sentido común cuando manipule una herramienta eléctrica. No utilice una herramienta eléctrica si está cansado o bajo la influencia de drogas, alcohol o medicamentos.** Un momento de distracción a la hora de operar una herramienta eléctrica puede generar daños personales graves.
- **Utilice el equipo de protección personal. Siempre utilice protección ocular.** El equipo de protección (como máscara contra polvo, calzado de seguridad antideslizante, casco o protectores auriculares) que se utiliza en condiciones pertinentes reducirá los daños personales.
- **Evite el arranque accidental. Asegúrese de que el interruptor esté en la posición de apagado antes de conectar la herramienta a una fuente de energía o insertar una batería, así como cuando recoja o transporte la herramienta.** Al transportar herramientas eléctricas con su dedo en el interruptor o al suministrarles corriente con el interruptor en la posición de encendido, se pueden provocar accidentes.
- **Quite cualquier llave de ajuste antes de encender la herramienta eléctrica.** Una llave conectada a una pieza giratoria de la herramienta eléctrica puede causar daños personales.
- **No se estire demasiado. Mantenga una posición y un equilibrio adecuados en todo momento.** Esto permite un mejor control de la herramienta eléctrica en situaciones inesperadas.
- **Vístase adecuadamente. No use ropa suelta ni joyas. Mantenga su cabello, su ropa y sus guantes alejados de las piezas en movimiento.** La ropa suelta, las joyas o el cabello largo pueden enredarse en las piezas en movimiento.
- **Si se proporcionan dispositivos para la conexión de instalaciones de recolección y extracción de polvo, asegúrese de que**

estos se conecten y utilicen de manera pertinente. El uso de recolectores de polvo puede reducir los peligros relacionados con el polvo.

- **No permita que la familiaridad obtenida del uso frecuente de las herramientas le permita confiarse e ignorar los principios de seguridad de las herramientas.** Una acción descuidada puede causar lesiones graves dentro de una fracción de segundo.

Uso y cuidado de la herramienta eléctrica

- **No fuerce la herramienta eléctrica. Utilice la herramienta eléctrica correcta según su aplicación.** Con la herramienta eléctrica correcta, hará el trabajo mejor y de manera más segura a razón del propósito para la cual fue diseñada.
- **No utilice la herramienta eléctrica si no se puede encender o apagar con el interruptor.** Cualquier herramienta eléctrica que no se puede controlar con el interruptor conlleva peligros y se debe reparar.
- **Desconecte el enchufe de la fuente de energía o retire la unidad de batería, si es desmontable, de la herramienta eléctrica antes de hacer ajustes, cambiar accesorios o almacenar la herramienta eléctrica.** Tales medidas de seguridad preventivas reducen el riesgo de arranque accidental de la herramienta eléctrica.
- **Almacene las herramientas eléctricas inactivas fuera del alcance de los niños y no permita que personas que no estén familiarizadas con la herramienta eléctrica o con estas instrucciones operen la herramienta eléctrica.** Las herramientas eléctricas conllevan peligros en manos de usuarios inexpertos.
- **Realice mantenimiento en las herramientas eléctricas y los accesorios. Revise en busca de atascamiento o desalineación de las piezas móviles, rotura de piezas o cualquier otra condición que pueda afectar el funcionamiento de la herramienta eléctrica. Si se daña, repare la herramienta eléctrica antes de su uso.** Muchos de los accidentes se deben a herramientas eléctricas con un mal mantenimiento.
- **Mantenga las herramientas de corte afiladas y limpias.** Las herramientas de corte con un mantenimiento correcto y bordes cortantes afilados son menos

propensas a atascamientos y más fáciles de controlar.

- **Utilice la herramienta eléctrica, los accesorios, las barrenas, etc. de acuerdo con estas instrucciones, conforme a las condiciones de trabajo y la tarea que se debe realizar.** El uso de la herramienta eléctrica en operaciones distintas de las previstas podría generar una situación peligrosa.
- **Mantenga los mangos y las superficies de agarre secos, limpios y sin grasa ni aceite.** Los mangos y las superficies de agarre resbaladizas no permiten un manejo seguro ni el control de la herramienta en situaciones imprevistas.

Uso y cuidado de la herramienta a batería

- **Recargue únicamente con el cargador especificado por el fabricante.** Un cargador apto para un tipo de unidad de batería puede implicar riesgo de incendio si se usa con otra unidad de batería distinta.
- **Utilice las herramientas eléctricas únicamente con las unidades de batería específicas para ellas.** El uso de otras baterías puede implicar riesgo de lesiones e incendio.
- **Cuando la unidad de batería no esté en uso, manténgala alejada de otros objetos metálicos, como sujetapapeles, monedas, llaves, clavos, tornillos u otros objetos metálicos pequeños que puedan provocar una conexión entre los terminales.** Si hace un puente entre los terminales de la batería, puede causar quemaduras o un incendio.
- **En condiciones extremas, la batería puede expulsar líquido; evite el contacto. Si se produjera un contacto accidentalmente, enjuáguese con agua. Si el líquido entra en contacto con los ojos, además, acuda a un médico.** El líquido expulsado de la batería puede causar irritaciones o quemaduras.
- **No utilice una unidad de batería ni una herramienta dañada o modificada.** Las baterías dañadas o modificadas pueden presentar un funcionamiento impredecible que puede provocar un incendio, una explosión o un riesgo de lesiones.
- **No exponga una unidad de batería ni una herramienta al fuego o una temperatura excesiva.** La exposición al fuego o una

temperatura superior a 265 °F/130 °C puede causar una explosión.

- **Siga todas las instrucciones de carga y no cargue la batería ni la herramienta en condiciones que superen el rango de temperatura especificado en las instrucciones.** De lo contrario, podría dañar la batería y aumentar el riesgo de incendio.

Servicio

- **Asegúrese de que un experto calificado realice la reparación de la herramienta eléctrica solo con piezas de repuesto idénticas.** Esto garantizará que se mantenga la seguridad de la herramienta eléctrica.
- **Nunca realice servicio a unidades de baterías dañadas.** Solo el fabricante o los proveedores de servicios autorizados deben realizar el servicio de las unidades de batería.

Advertencias de seguridad de la cortadora, el quitaarbustos y la recortadora de hierba

- **No utilice la máquina en condiciones meteorológicas adversas, especialmente cuando haya pronóstico de tormentas eléctricas.** Esto disminuye el riesgo de ser alcanzado por un rayo.
- **Inspeccione minuciosamente la zona en la que se va a utilizar la máquina en busca de fauna.** La máquina puede lesionar a la fauna durante su funcionamiento.
- **Inspeccione minuciosamente el área donde se va a utilizar la máquina y retire todas las piedras, palos, cables, huesos y otros objetos extraños.** Los objetos despedidos pueden causar daños personales.
- **Antes de utilizar la máquina, inspeccione siempre visualmente para ver si la cortadora o la cuchilla y el conjunto de la cortadora o la cuchilla no están dañados.** Las piezas dañadas aumentan el riesgo de lesiones.
- **Siga las instrucciones para el cambio de accesorios.** Si las tuercas o los pernos de fijación de la cuchilla están mal ajustados, pueden dañar la cuchilla o hacer que se desprenda.
- **La velocidad de rotación nominal de la cortadora debe ser, al menos, igual a la velocidad de rotación máxima señalada en**

la máquina. Las cortadoras que funcionan más rápido que su velocidad de rotación nominal se pueden romper y desprender.

- **Utilice protección para los ojos, oídos, cabeza y manos.** Un equipo de protección adecuado reducirá las lesiones personales por los residuos que salgan despedidos o por el contacto accidental con la línea de corte o la cuchilla.
- **Mientras opere la máquina, utilice siempre calzado de protección antideslizante. No haga funcionar la máquina descalzo o con sandalias abiertas.** Esto reduce la posibilidad de que los pies sufran lesiones por el contacto con una cortadora, un hilo o una cuchilla en movimiento.
- **Mientras opere la máquina, siempre utilice pantalones largos.** La piel expuesta aumenta la probabilidad de que se produzcan lesiones debido a la presencia de objetos expulsados.
- **Mantenga alejados a los transeúntes mientras maneja la máquina.** Los residuos lanzados pueden provocar daños personales.
- **Utilice siempre las dos manos cuando opere la máquina.** Sujetar la máquina con ambas manos evitará que pierda el control.
- **Sujete la máquina solo por las superficies de sujeción aisladas, ya que la línea de corte o la cuchilla pueden entrar en contacto con el cableado oculto.** Si la línea de corte o las cuchillas entran en contacto con un cable con corriente, es posible que las piezas metálicas expuestas de la máquina reciban tensión y que el operador reciba una sacudida eléctrica.
- **Mantenga siempre una postura adecuada y maneje la máquina solo cuando esté de pie en el suelo.** Es posible que pierda el equilibrio o el control de la máquina en superficies resbaladizas o inestables.
- **No utilice la máquina en pendientes excesivamente pronunciadas.** Esto reduce el riesgo de pérdida de control, resbalones y caídas que pueden provocar lesiones personales.
- **Cuando trabaje en pendientes, asegúrese siempre de pisar bien, trabaje siempre en superficies en pendiente, nunca hacia arriba o hacia abajo y tenga mucho cuidado cuando cambie de dirección.** Esto reduce el riesgo de pérdida de control,

resbalones y caídas que pueden provocar lesiones personales.

- **Mantenga todas las partes del cuerpo alejadas de la cortadora, el hilo o de la cuchilla cuando la máquina esté en funcionamiento. Antes de arrancar la máquina, asegúrese de que la cortadora, el hilo o la cuchilla no estén en contacto con nada.** Un momento de distracción mientras se opera la máquina puede provocar lesiones a usted o a otras personas.
- **No opere la máquina por encima de la altura de la cintura.** De esta manera podrá evitar el contacto accidental con la cortadora o la cuchilla y permitir un mejor control de la máquina en situaciones inesperadas.
- **Cuando corte un arbusto o árboles jóvenes tensados, esté atento a cuando la tensión de la rama se libere.** Una vez que se libera la tensión de las fibras de madera, el arbusto o el árbol joven podría golpear al operador o hacer que pierda el control de la máquina.
- **Tenga mucho cuidado cuando corte arbustos y árboles jóvenes.** El material delgado puede atrapar la cuchilla y azotarla contra usted o hacerle perder el equilibrio.
- **Mantenga el control de la máquina y no toque las cortadoras, los hilos o las cuchillas, ni otras piezas móviles peligrosas mientras aún están en movimiento.** Esto reduce el riesgo de lesiones debido a piezas móviles.
- **Cuando extraiga material atascado o realice el mantenimiento de la máquina, asegúrese de que todos los bloqueadores de interruptores estén apagados y de que la unidad de batería se haya retirado o el cable de alimentación esté desconectado.** Si la máquina se acciona inesperadamente durante la extracción de material atascado o el mantenimiento, puede generar daños personales graves.
- **Transporte la máquina cuando esté apagada y lejos de su cuerpo.** El manejo adecuado de la máquina reducirá la probabilidad de contacto accidental con una cortadora, hilo o cuchilla en movimiento.
- **Cuando transporte o almacene la máquina, coloque siempre la cubierta sobre las cuchillas metálicas.** El manejo

adecuado de la máquina reducirá la probabilidad de contacto accidental con la cuchilla.

- **Utilice únicamente cortadoras, hilos, cabezales de corte y cuchillas de repuesto especificados por el fabricante.** Las piezas de repuesto incorrectas pueden aumentar el riesgo de rotura y lesiones.

Otra información de seguridad general

- Apague el producto antes de pasar a otra área. Siempre retire la batería cuando otra persona deba operar la máquina.
- Nunca ponga el producto hacia abajo, a menos que se encuentre desactivado y sin batería. No deje el producto sin supervisión cuando se encuentre activado.
- La herramienta de corte no se detiene inmediatamente después de que el producto se apaga.
- Antes de utilizar el producto y después de cualquier impacto, revíselo en busca de desgaste o daños y repare los componentes según sea necesario.
- Si algo se atasca en el equipo de corte durante la operación, detenga el trabajo y desactive el producto. Asegúrese de que el equipo de corte se detenga por completo. Retire la batería antes de limpiar, inspeccionar o reparar el producto o el equipo de corte.
- Revise el producto antes de utilizarlo. Consulte *Dispositivos de seguridad en el producto en la página 27* y *Mantenimiento en la página 33*. No use un producto dañado. Realice los controles de seguridad, el mantenimiento y las instrucciones de servicio descritos en este manual.
- Un equipo de corte defectuoso puede aumentar el riesgo de accidentes.
- Revise el producto en busca de suciedad y grietas. Limpie con un cepillo los restos de césped y hojas que se encuentren en el producto. Se deben utilizar guantes cuando sea necesario.
- Asegúrese de que las aberturas de ventilación estén despejadas y no tengan suciedad.
- Compruebe que el cabezal de corte esté completamente conectado a la recortadora.

- Todas las cubiertas, blindajes y manillas se deben montar antes del uso.
- Verifique que el producto se encuentra en perfectas condiciones de funcionamiento. Verifique que todas las tuercas y tornillos estén firmes.
- Compruebe que el cabezal de corte y la protección de la recortadora no estén agrietados o dañados. Reemplace el cabezal de corte o la protección de la recortadora si se han expuesto a algún golpe o presentan alguna grieta. Siempre utilice la protección recomendada para el equipo de corte correspondiente. Consulte *Accesorios en la página 37*.
- Este producto puede ser una herramienta peligrosa si no se maneja con cuidado o si utiliza el producto de forma incorrecta. Este producto puede causar daños graves o fatales al operador o a otras personas.
- Este producto no está diseñado para ser utilizado por personas (incluidos niños) con capacidades físicas, sensoriales o cognitivas reducidas, o que carezcan de la experiencia y los conocimientos necesarios, a menos que sean supervisados o hayan recibido instrucciones sobre el uso del producto por parte de una persona responsable de su seguridad. Se debe supervisar a los niños para asegurarse de que no jueguen con el aparato.
- Nunca permita que los niños utilicen la máquina o que estén cerca de esta. Dado que la máquina es fácil de arrancar, los niños pueden encenderla si no se les supervisa. Esto puede significar riesgo de daños personales graves. Por lo tanto, desconecte la batería cuando la máquina no cuente con la supervisión adecuada.
- Nunca permita que los niños u otras personas no capacitadas para el uso del producto o la batería usen o revisen la máquina.
- Almacene el equipo en un área bloqueable para que esté fuera del alcance de los niños y personas no autorizadas.
- La protección para el transporte siempre debe utilizarse durante el almacenamiento y el transporte.
- Mantenga siempre las manos y los pies alejados del área de corte en todo momento y, especialmente, cuando encienda el motor.
- Mantenga las manos y los pies alejados del equipo de corte hasta que se haya detenido por completo cuando se desactive el producto.
- No retire el material de corte ni deje que otras personas lo hagan mientras el producto está encendido o el equipo de corte siga girando, ya que puede provocar daños graves.
- Tenga en cuenta que usted, el operador, es responsable de no exponer a las personas o su propiedad a accidentes o peligros.
- Bajo ninguna circunstancia se puede modificar el diseño del producto sin autorización del fabricante. Siempre utilice accesorios originales. Las modificaciones o accesorios no autorizados pueden provocar daños personales o la muerte del operador u otras personas. Es posible que su garantía no cubra daños o responsabilidades causadas por el uso de accesorios o piezas de repuesto no autorizados.
- Los únicos accesorios que se pueden utilizar con este producto son los equipos de corte que se recomiendan en el capítulo "Accesorios". Consulte *Accesorios en la página 37*.
- Nunca utilice un producto que haya sido modificado de cualquier modo con respecto a la especificación original.
- Nunca utilice un producto que esté defectuoso. Realice las comprobaciones de seguridad, el mantenimiento y las instrucciones de servicio descritas en este manual. Especialistas capacitados y calificados deben llevar a cabo algunas medidas de mantenimiento y servicio. Consulte las instrucciones bajo el título Mantenimiento.
- Trabajar en condiciones meteorológicas adversas resulta agotador y generalmente presenta más riesgos. Debido a los riesgos adicionales, no se recomienda utilizar el producto en condiciones meteorológicas adversas, por ejemplo, con niebla densa, lluvia copiosa, vientos fuertes, frío intenso, cuando exista riesgo de relámpagos, etc.
- No trabaje nunca desde una escalera, taburete ni ninguna otra posición elevada que no cumpla a cabalidad con las normas de seguridad.

- Almacene los productos inactivos en espacios cerrados. Cuando no se utilicen, los productos se deben almacenar en espacios cerrados.
- No es posible abordar todas las situaciones posibles que puede afrontar. Siempre tenga cuidado y use su sentido común. Evite todas las situaciones que considere que están más allá de su capacidad. Si todavía se siente inseguro acerca de los procedimientos operativos después de leer estas instrucciones, debería consultar a un experto antes de continuar.
- Asegúrese de que ninguna persona o animal se acerque a menos de 50 ft (15 m) mientras trabaja. Cuando haya varios usuarios trabajando en el mismo lugar, la distancia de seguridad debe ser de un mínimo de 50 ft (15 m). De lo contrario, existe el riesgo de daños personales graves. Detenga el producto de inmediato si alguien se acerca. Nunca balancee el producto sin mirar primero hacia atrás para asegurarse de que nadie se encuentre dentro de la zona de seguridad.
- Asegúrese de que ni personas, ni animales ni ningún objeto o elemento puedan influir en su control del producto o que no entren en contacto con el equipo de corte u objetos flojos que son lanzados por el equipo de corte. No obstante, no utilice el producto a menos que pueda pedir ayuda en caso de accidente.
- Cerciórese de que puede caminar y mantenerse de pie con seguridad. Revise el área a su alrededor para detectar posibles obstáculos (raíces, piedras, ramas, zanjas, etc.) en caso de que tenga que moverse repentinamente. Tenga sumo cuidado al trabajar en terreno inclinado.
- Camine, nunca corra.
- Inspeccione la zona de trabajo. Quite todos los objetos sueltos, como piedras, vidrios rotos, clavos, alambres de acero, cuerdas, etc., que puedan salir disparados o se puedan enredar en la cortadora o la protección de la cortadora.
- Tenga cuidado con los trozos de rama que puedan salir despedidos durante el corte. No corte demasiado cerca del suelo, donde piedras y otros objetos puedan ser lanzados.
- Asegúrese de que ninguna prenda de vestir o parte del cuerpo entre en contacto con el equipo de corte cuando el producto se encuentre activado. Ajuste el producto para que se mantenga debajo de la cintura.
- Esté atento a que no salgan objetos despedidos. Use siempre protección ocular homologada. No se apoye nunca sobre la protección del equipo de corte. Es posible que piedras, residuos, etc., salgan disparados en dirección a los ojos lo que puede provocar ceguera o lesiones graves.
- Preste atención a las señales de advertencia o gritos cuando utilice protectores auriculares. Siempre retire sus protectores auriculares apenas se detenga el producto.
- Si se genera alguna vibración inesperada, saque más hilo con la longitud correcta para detener las vibraciones.
- Si el producto comienza a vibrar anormalmente, detenga su funcionamiento y retire la batería.
- La sobreexposición a las vibraciones puede producir trastornos vasculares o daños al sistema nervioso en personas que padecen de problemas de circulación. Comuníquese con su médico si experimenta síntomas de sobreexposición a las vibraciones. Estos síntomas son entumecimiento, pérdida de sensibilidad, hormigueo, ardor, dolor, pérdida de fuerza, cambios en el color o el estado de la piel. Normalmente, estos síntomas se presentan en los dedos, las manos o las muñecas.
- La emisión de vibración durante el uso de la herramienta eléctrica puede ser diferente del valor total indicado en función de la forma en que se utilice la herramienta. El usuario debe conocer las medidas de seguridad para protegerse a sí mismo, las que se basan en una estimación de la exposición en condiciones de uso reales (teniendo en cuenta todas las partes del ciclo de funcionamiento, como el periodo en que la herramienta está apagada y cuando esté funcionando en ralentí además del gatillo).
- Siempre sujete el producto con ambas manos. Mantenga el producto al lado derecho de su cuerpo.

Equipo de protección personal

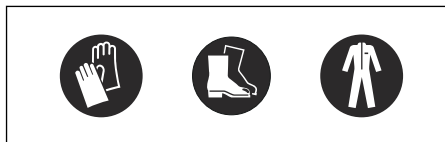


ADVERTENCIA: Lea atentamente las instrucciones de advertencia siguientes antes de usar el producto.

- Utilice siempre el equipo de protección personal adecuado cuando use el producto. El equipo de protección personal no puede impedir el riesgo de lesiones, pero disminuirá el grado de lesión si ocurre un accidente. Permita que su concesionario lo ayude a seleccionar el equipo adecuado.
- Utilice un casco protector cuando exista el riesgo de caída de objetos.
- Utilice protectores auriculares aprobados que proporcionen una reducción de ruido adecuada. La exposición prolongada al ruido puede causar la pérdida permanente de la audición.
- Use protección ocular homologada. Si utiliza un visor, también debe usar gafas protectoras homologadas. Las gafas protectoras homologadas deben cumplir con la norma ANSI Z87.1 de EE. UU. o EN 166 para países de la UE.
- Utilice un visor para proteger el rostro. El visor no es suficiente para proteger los ojos.



- Utilice guantes cuando sea necesario, por ejemplo, cuando conecte, examine o limpie el equipo de corte.
- Utilice botas resistentes antideslizantes.
- Utilice ropa de material resistente. Use siempre pantalones largos y gruesos, y mangas largas. Evite usar ropas holgadas que se puedan enganchar con ramas. No trabaje con joyas, pantalones cortos, sandalias ni con los pies descalzos. Asegure su cabello por encima del nivel de los hombros.



- Mantenga un equipo de primeros auxilios a mano.



Dispositivos de seguridad en el producto



ADVERTENCIA: Lea atentamente las instrucciones de advertencia siguientes antes de usar el producto.

En esta sección se describen las características de seguridad del producto y su propósito, y cómo deben llevarse a cabo las comprobaciones y el mantenimiento para asegurarse de que funciona correctamente. Consulte las instrucciones bajo el título *Introducción en la página 19* para saber dónde se encuentran estas piezas en el producto.

La vida útil del producto se puede reducir y el riesgo de accidentes puede aumentar si el mantenimiento del producto no se realiza correctamente y si el servicio o las reparaciones no se llevan a cabo de forma profesional. Si necesita más información, comuníquese con su taller de servicio más cercano.



ADVERTENCIA: No utilice nunca un producto con componentes de seguridad dañados. El equipo de seguridad del producto se debe inspeccionar y mantener tal como se describe en esta sección. Si el producto no pasa exitosamente alguna de estas comprobaciones, póngase en contacto con el taller de servicio para que lo reparen.

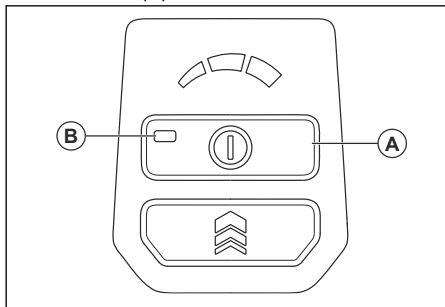


AVISO: Todos los trabajos de servicio y reparación de la máquina requieren una formación especial. Esto aplica especialmente al equipo de seguridad. Si la máquina no pasa exitosamente alguna de las comprobaciones indicadas a continuación, póngase en contacto con el taller de

servicio. La compra de alguno de nuestros productos le garantiza la disponibilidad de mantenimiento y servicio profesionales. Si el comerciante que vende la máquina no es un concesionario de servicio, pídale la dirección del taller de servicio más cercano.

Para comprobar el teclado

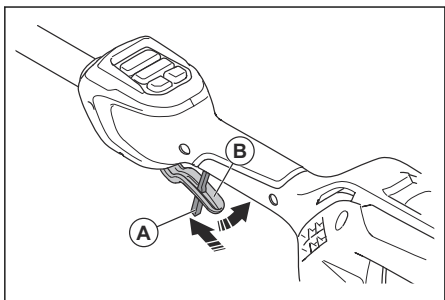
- Mantenga presionado el botón de encendido (A).



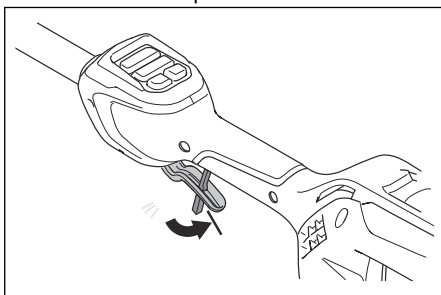
- a) El producto se enciende cuando la luz LED (B) se enciende.
- b) El producto se apaga cuando la luz LED (B) se apaga.

Comprobación del bloqueo del gatillo de alimentación

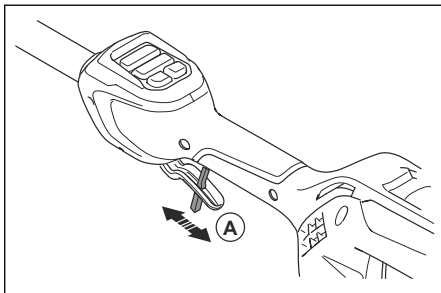
El bloqueo del gatillo de alimentación previene que el producto se encienda accidentalmente. Cuando presiona el bloqueo del gatillo de alimentación (A) hacia delante, se libera el gatillo de alimentación (B). Cuando suelte el mango, el gatillo de alimentación y el bloqueo del gatillo de alimentación volverán a su posición inicial.



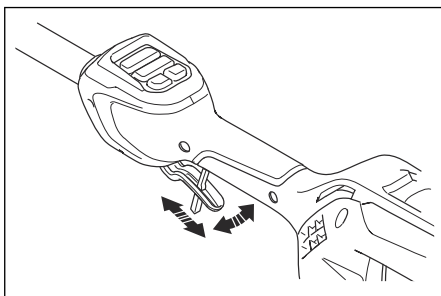
1. Asegúrese de que el gatillo de alimentación esté bloqueado cuando el bloqueo del gatillo de alimentación se encuentre en su posición inicial.



2. Presione el bloqueo del gatillo de alimentación (A) hacia delante. Asegúrese de que vuelva a su posición inicial cuando lo suelte.



3. Asegúrese de que el gatillo de alimentación y el bloqueo del gatillo de alimentación se muevan con facilidad, y que el resorte de retorno funcione correctamente.



4. Encienda el producto. Consulte *Para poner en marcha el producto en la página 31*.
5. Aplique la potencia máxima.
6. Suelte el bloqueo del gatillo de alimentación y asegúrese de que el equipo de corte se detenga por completo.

Instrucciones de seguridad para el montaje



ADVERTENCIA: Lea este manual de la unidad de alimentación junto con el manual de accesorios homologados.

- Retire la batería del producto antes de montar el producto.
- Use guantes protectores homologados.
- Una protección defectuosa o incorrecta puede provocar lesiones. No utilice un accesorio de corte que no tenga una protección aprobada instalada.
- Antes de arrancar el producto, asegúrese de montar la cubierta y el eje de manera adecuada.
- Si se suministra un arnés con el accesorio, se debe fijar correctamente al producto. El arnés hace que la operación sea más eficiente.

Instrucciones de seguridad para el mantenimiento



ADVERTENCIA: Lea atentamente las instrucciones de advertencia antes de realizar mantenimiento al producto.

- Retire la batería antes de hacer el mantenimiento, otras revisiones o el armado del producto.

- El operador solo debe hacer el mantenimiento y el servicio que se indica en el manual del usuario. Acuda a su concesionario de servicio cuando deba realizar mantenimiento y servicio a mayor escala.
 - No limpie con agua la batería o el cargador de batería. Los detergentes fuertes pueden dañar el plástico.
 - Si no realiza el mantenimiento, disminuye la vida útil del producto y aumenta el riesgo de accidentes.
 - Se necesita capacitación especial para todos los trabajos de servicio y reparación, especialmente de los dispositivos de seguridad del producto. Si no se aprueban todas las comprobaciones establecidas en este manual del usuario después de realizar el mantenimiento, acuda al concesionario de servicio. Garantizamos que existen reparaciones y servicios profesionales disponibles para su producto.
 - Solo utilice piezas de repuesto originales.
 - Siempre utilice guantes para trabajo pesado cuando repare el equipo de corte. La cuchilla tiene mucho filo y puede provocar cortes fácilmente.
-



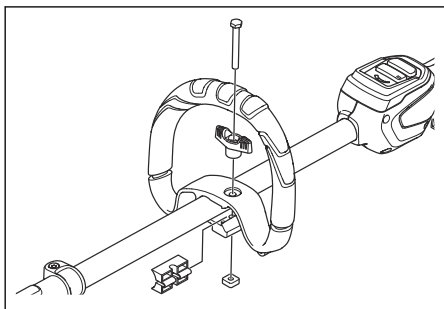
ADVERTENCIA: No lave la máquina con agua a presión, ya que puede entrar al sistema eléctrico o al motor y causar un cortocircuito o dañar la máquina.

GUARDE ESTAS INSTRUCCIONES

Montaje

Para conectar el mango cerrado

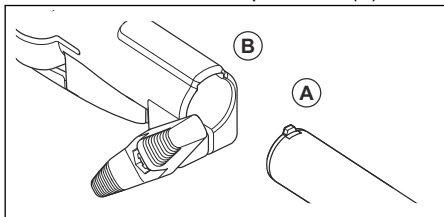
1. Fije el mango cerrado sobre el eje entre las flechas.



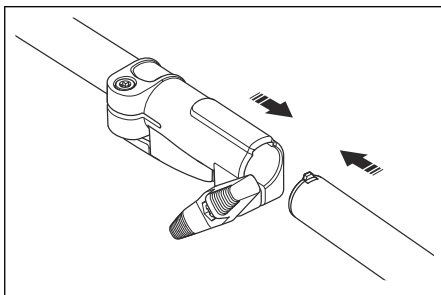
2. Mueva el separador en la ranura del mango cerrado.
3. Instale el tornillo y la perilla. No apriete en exceso.
4. Ajuste el mango cerrado a una posición adecuada.
5. Apriete la perilla.

Montaje del eje de dos piezas

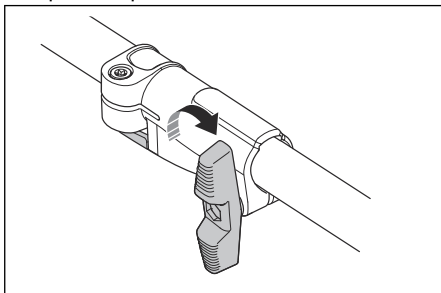
1. Gire la perilla para aflojar el acoplamiento.
2. Alinee la lengüeta del equipo de corte (A) con la ranura en el acoplamiento (B).



3. Empuje cuidadosamente el eje en el acoplamiento hasta que se escuche un clic.

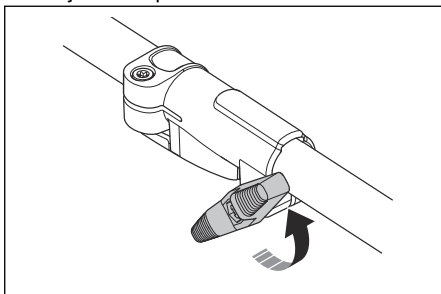


4. Apriete la perilla hasta el final.



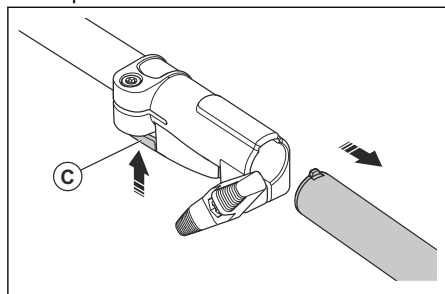
Para desmontar el eje de dos piezas

1. Gire la perilla unas 3 vueltas o más para aflojar el acoplamiento.



2. Mantenga presionado el botón (C).
3. Sujételo fuertemente hacia el extremo del eje al que está conectado el motor.

4. Tire del accesorio para sacarlo del acoplamiento.



Funcionamiento

Introducción



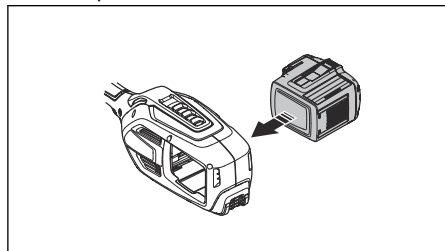
ADVERTENCIA: Asegúrese de leer y comprender el capítulo de seguridad antes de utilizar el producto.

Para conectar la batería al producto



ADVERTENCIA: Utilice solo baterías originales Husqvarna en el producto.

1. Asegúrese de que la batería esté totalmente cargada.
2. Presione la batería en el compartimiento de batería del producto. Cuando escuche un clic, significará que la batería se encuentra fija en su posición correspondiente.



AVISO: Si la batería no se mueve con facilidad, la instalación de la batería no se realizó correctamente. Esto puede provocar daños al producto.

3. Asegúrese de que la batería esté correctamente instalada.

Posición de trabajo

- Sostenga el producto con ambas manos.
- Mantenga el producto al lado derecho de su cuerpo.
- Mantenga el equipo de corte por debajo de la cintura.
- Mantenga las partes del cuerpo alejadas de las superficies calientes.
- Mantenga las partes del cuerpo alejadas del accesorio de corte.

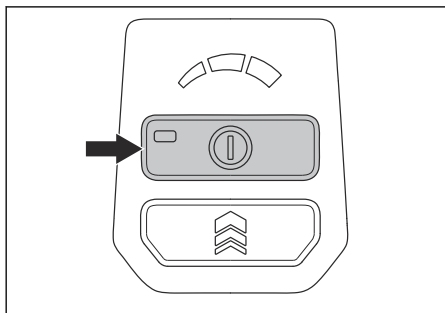
Antes de usar el producto

- Inspeccione el área de trabajo para asegurarse de que conoce el tipo de terreno, la pendiente del terreno y para notar la presencia de obstáculos como piedras, ramas y zanjas.
- Realice una inspección de reacondicionamiento del producto.
- Haga las inspecciones de seguridad, mantenimiento y servicio que figuran en este manual.
- Asegúrese de que todas las cubiertas, las protecciones, los manillares y los accesorios estén fijados correctamente y que no presenten daños.

Para poner en marcha el producto

1. Coloque el producto en la posición de arranque.

2. Mantenga presionado el botón de encendido hasta que la luz LED verde se encienda.



3. Utilice el gatillo de alimentación para controlar la velocidad.

Función de modo de velocidad

Puede utilizar el producto en 3 modos de velocidad.

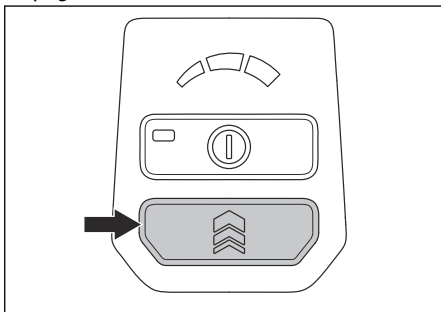
- Modo ECO: En la pantalla de modo de velocidad, se enciende 1 LED cuando se opera el producto. Utilice el modo ECO para facilitar las tareas y prolongar la vida útil de la batería.
- Modo normal: En la pantalla de modo de velocidad, 2 LED se encienden cuando se opera el producto. El modo normal se aplica a la mayoría de las tareas. El producto se encuentra en el modo normal cuando arranca.
- Modo de refuerzo: En la pantalla de modo de velocidad, los 3 LED se encienden cuando se opera el producto. Utilice el modo de refuerzo para tareas en las que se necesita más fuerza.

Tenga en cuenta: Si suelta el gatillo de alimentación, el producto se ajusta en el último modo de velocidad utilizado cuando se vuelve a arrancar. Si el producto se detiene automáticamente, se ajusta en el modo normal cuando se vuelve a arrancar.

Para seleccionar un modo de velocidad

Puede ajustar el modo de velocidad necesario cuando opere el producto.

- Presione el botón de modo de velocidad hasta seleccionar el modo de velocidad correcto. Los LED se encienden, consulte *Función de modo de velocidad en la página 32.*

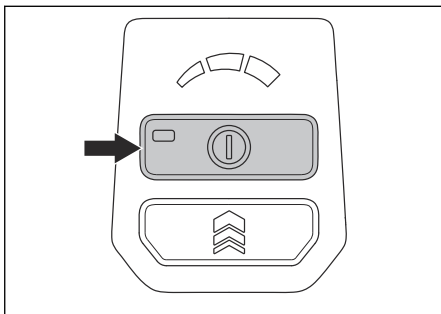


Función de apagado automático

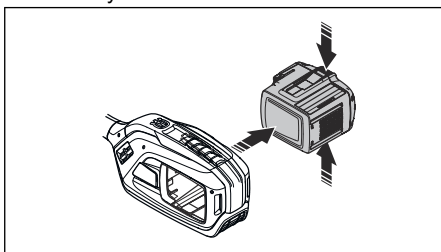
El producto cuenta con una función de apagado automático que lo detiene si no se está utilizando. La luz LED verde que indica arranque/detención se apaga y el producto se apaga en 120 segundos.

Para detener el producto

1. Suelte el gatillo de alimentación o el bloqueo del gatillo de alimentación.
2. Presione el botón de encendido.



3. Presione los botones de liberación de la batería y retírela.



Mantenimiento

Introducción



ADVERTENCIA: Antes de realizar el mantenimiento, debe leer y entender el capítulo de seguridad.

La siguiente es una lista de pasos de mantenimiento que se deben realizar en el producto.

Programa de mantenimiento



ADVERTENCIA: Retire la batería antes de realizar mantenimiento.

Mantenimiento	A diario	Una vez por semana	Una vez al mes
Limpie las piezas externas del producto con un paño seco. No utilice agua.	X		
Asegúrese de que el botón de encendido funcione correctamente y que no presente daños.	X		
Asegúrese de que el gatillo de alimentación y el bloqueo del gatillo de alimentación funcionen correctamente en términos de seguridad.	X		
Asegúrese de que todos los controles funcionen y no estén dañados.	X		
Mantenga los mangos secos, limpios y sin grasa ni aceite.	X		
Asegúrese de que las tuercas y los tornillos estén apretados.	X		
Asegúrese de que los botones de liberación de la batería funcionen y que fijen la batería al producto.	X		
Asegúrese de que la batería no esté dañada.	X		
Asegúrese de que la batería esté cargada.	X		
Asegúrese de que el cargador de la batería no esté dañado y funcione correctamente.	X		
Examine todos los cables, los acoplamientos y las conexiones. Asegúrese de que no estén dañados y que no tengan indicios de suciedad.		X	
Realice una comprobación de las conexiones entre la batería y el producto. Examine también la conexión entre la batería y el cargador de batería.			X

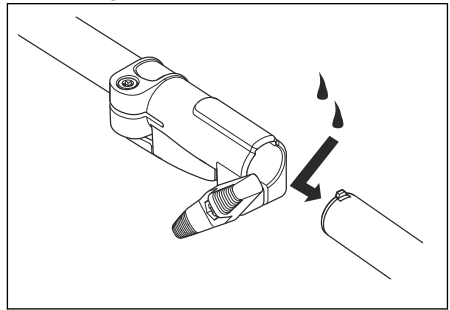
Para limpiar el producto, la batería y el cargador de batería

1. Limpie el producto con un paño seco después del uso.
2. Limpie la batería y el cargador de la batería con un paño seco. Mantenga limpios los rieles de guía de la batería.
3. Asegúrese de que las terminales en la batería y en el cargador de la batería estén secos antes de que la batería se coloque en el cargador de la batería o en el producto.

Eje de dos piezas

Aplice grasa al extremo del eje propulsor cada 30 horas de funcionamiento. Existe

riesgo de que los extremos del eje propulsor (acoplamiento ranurado) de los modelos con ejes de dos piezas se agarroten si no se lubrican regularmente.



Solución de problemas

Teclado

El LED del botón de encendido parpadea	Posibles fallas	Posible medida
Encendido ininterrumpido	Batería baja.	Cargue la batería.
2 parpadeos	Subvoltaje.	<ol style="list-style-type: none"> 1. Apague el producto. 2. Encienda el producto nuevamente. 3. Si el problema persiste, comuníquese con un taller de servicio.
3 parpadeos	Batería defectuosa.	Cambie la batería.
4 parpadeos	Sobrecorriente.	<ol style="list-style-type: none"> 1. Apague el producto. 2. Encienda el producto nuevamente. 3. Si el problema persiste, comuníquese con un taller de servicio.
5 parpadeos	Alta temperatura.	Deje que el producto se enfríe.
6 parpadeos	Falla del bloque de rotación.	<ol style="list-style-type: none"> 1. Apague el producto. 2. Encienda el producto nuevamente. 3. Si el problema persiste, comuníquese con un taller de servicio.
9 parpadeos	Modo de protección activado.	<ol style="list-style-type: none"> 1. Apague el producto. 2. Encienda el producto nuevamente. 3. Cambie el método de trabajo si el modo de protección se vuelve a activar.

El LED del botón de encendido parpadea	Posibles fallas	Posible medida
10 parpadeos	Error de comunicación de la batería.	<ol style="list-style-type: none"> 1. Extraiga la batería. 2. Limpie los conectores de la batería con aire comprimido o con un cepillo de cerdas suaves. 3. Vuelva a instalar la batería correctamente.

Batería

Estado	Posibles fallas	Procedimiento posible
El LED de advertencia de la batería parpadea.	Desviación de temperatura, la batería está demasiado fría o demasiado caliente para su uso.	Deje que la batería se enfríe o muévela al interior para calentarla. Cuando la batería tenga la temperatura correcta, se puede volver a utilizar. Utilice la batería a las temperaturas ambiente especificadas en <i>Datos técnicos en la página 36</i> .
	La batería está vacía.	Cargue la batería.
El LED de advertencia de la batería se enciende.	Error permanente de la batería.	Consulte a su concesionario.

Cargador de la batería

Estado	Posibles fallas	Procedimiento posible
El LED de carga es de color rojo.	Error permanente del cargador de baterías.	Consulte a su concesionario.
El LED de carga parpadea en color rojo.	Desviación de temperatura, la batería se encuentra demasiado fría o caliente para utilizarla o cargarla.	Deje que la batería se enfríe o se caliente. Cuando la batería tenga la temperatura correcta, se puede utilizar o cargar nuevamente. Utilice el cargador de baterías a las temperaturas ambiente especificadas en <i>Datos técnicos en la página 36</i> .
El LED de carga parpadea en color verde.		
El LED de carga parpadea en color rojo.	Batería defectuosa.	Consulte a su concesionario.

Transporte, almacenamiento y eliminación de residuos

Transporte y almacenamiento

- Cumpla los requisitos de la Legislación de productos peligrosos aprobada sobre baterías de iones de litio.
- Siga los requisitos especiales sobre el embalaje y las etiquetas para transportes comerciales, incluidos los de terceros y transportistas.
- Comuníquese con una persona con capacitación especial sobre materiales peligrosos antes de enviar el producto. Siga todas las normas nacionales aplicables.
- Utilice cinta sobre los contactos abiertos cuando coloque la batería en un paquete. Coloque firmemente la batería en el paquete para evitar el movimiento.
- Retire la batería para almacenarla o transportarla.
- Coloque la batería y el cargador de la batería en un lugar seco, donde no haya humedad ni heladas.
- No mantenga la batería en un área donde pueda generarse electricidad estática. No mantenga la batería en una caja metálica.
- Coloque la unidad de batería en un almacenamiento donde la temperatura oscile entre 41 °F/5 °C y 77 °F/25 °C, lejos de la luz solar directa.
- Coloque el cargador de la batería en un almacenamiento donde la temperatura esté entre los 41 °F/5 °C y 113 °F/45 °C, lejos de la luz solar directa.
- Utilice solamente el cargador de la batería cuando la temperatura ambiente esté entre 41 °F/5 °C y 104 °F/40 °C.

- Cargue la batería de un 30 % a un 50 % antes de almacenarla durante períodos prolongados.
- Almacene el cargador de la batería en un espacio cerrado y seco.
- Mantenga la batería lejos del cargador de la batería durante el almacenamiento. No permita que niños y otras personas sin autorización toquen el equipo. Mantenga el equipo en un espacio que pueda cerrar.
- Limpie el producto y realice un mantenimiento total antes de almacenarlo durante un período prolongado.
- Utilice protección para transportes en el producto para evitar lesiones o daños en el producto durante su transporte y almacenamiento.
- Fije el producto de manera segura durante el transporte.

Eliminación de la batería, el cargador de la batería y el producto

Los símbolos que aparecen en el producto o en el paquete del producto indican que los componentes no constituyen residuos domésticos. Recíclelo en una planta de reciclaje para equipo eléctrico y electrónico. Esto ayuda a evitar daños al medioambiente y a las personas.

Póngase en contacto con las autoridades locales, de residuos domésticos o con su distribuidor para obtener más información sobre cómo reciclar el producto.

Datos técnicos

	330iK
Motor	
Tipo de motor	BLDC (sin escobillas), 36 V
Peso	
Peso (solo unidad de alimentación), lb/kg	5,8/2,63
Límites de temperatura	

	330iK
Temperatura ambiente para el funcionamiento, °F/°C	14–104/-10–40
Temperatura ambiente para almacenamiento, °F/°C	41-77/5-25

Baterías homologadas para el producto

Batería	BLi22	BLi30	40-B140
Tipo	iones de litio	iones de litio	iones de litio
Capacidad de la batería, Ah	4,2	7,5	4,0
Voltaje nominal, V	36	36	36
Peso, lb/kg	2,9/1,3	4,2/1,9	2,6/1,2

Cargadores de batería aprobados

Cargador de la batería	QC250	40-C80
Voltaje de entrada, V	100-240	100-240
Frecuencia, Hz	50-60	50-60
Potencia, W	250	80

Accesorios

Accesorios

Accesorios homologados	Usar con
Accesorio de recorte TA320	330iK
Accesorio quita arbustos BCA850	330iK
Accesorio recíproco RA850	330iK
Accesorio de soplador BA101	330iK
Accesorio de rebordeadora ECA308	330iK
Accesorio de rebordeadora ECA850	330iK
Accesorio de rebordeadora ESA850	330iK
Accesorio de cortasetos HA322	330iK
Accesorio de cortasetos HA860	330iK

Accesorios homologados	Usar con
Equipo de la sierra PA310	330iK
Limpie el accesorio de barredora SR600-2	330iK
Accesorio de cepillo de cerdas BR600	330iK
Accesorio de escarificador DT600	330iK
Accesorio de cultivadora CA230	330iK

Table des matières

Introduction.....	39	Dépannage.....	54
Sécurité.....	40	Transport, entreposage et mise au rebut.....	56
Montage.....	50	Caractéristiques techniques.....	56
Fonctionnement.....	51	Accessoires.....	57
Entretien.....	53		

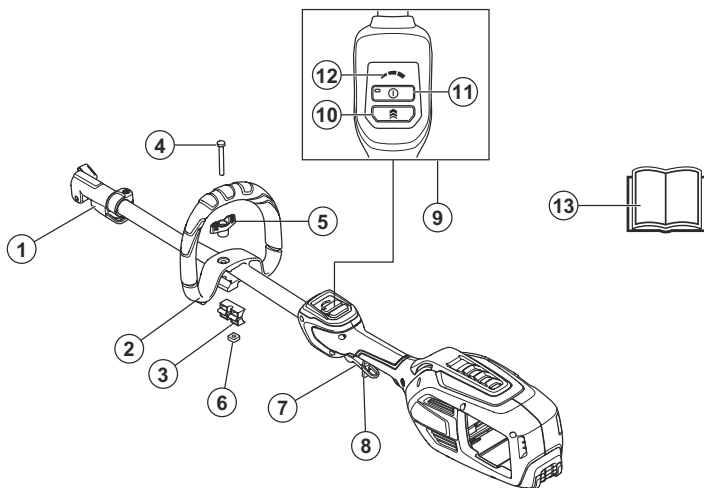
Introduction

Utilisation prévue

Cette unité électrique est une unité de base qui ne fonctionne qu'avec des

accessoires homologués. Voir les accessoires homologués dans *Accessoires à la page 57*. S'assurer de lire ce manuel et le manuel de l'accessoire homologué.

Présentation de l'appareil



1. Raccord pour accessoire
2. Poignée en boucle
3. Entretoise
4. Vis
5. Bouton
6. Écrou
7. Gâchette
8. Mécanisme de verrouillage de la gâchette
9. Clavier
10. Bouton de mode de vitesse
11. Bouton d'alimentation
12. Affichage du mode de vitesse
13. Manuel de l'opérateur

Symboles figurant sur le produit



AVERTISSEMENT! Cet appareil peut être dangereux! S'il est utilisé de manière insouciant ou non appropriée, cela pourrait causer des blessures graves voire mortelles pour l'utilisateur ou pour d'autres personnes. Il est extrêmement important de lire et de comprendre le contenu du manuel d'utilisation. Lire attentivement le manuel d'utilisation et veiller à bien comprendre les instructions avant d'utiliser l'appareil.



Prendre soin de retenir les cheveux longs au-dessus des épaules



Garder le produit à l'écart de l'eau et de la pluie.



Débrancher la batterie avant l'entretien.

yywwwxxxxxx

La plaque signalétique indique le numéro de série où **yy** représente l'année de production, **ww** la semaine de production et **xxxxxx** le numéro séquentiel.

Remarque : Les autres symboles/ autocollants présents sur l'outil renvoient aux exigences en matière de certification pour d'autres zones commerciales.

Proposition 65 de la Californie

ATTENTION!

Ce produit contient ou émet un produit chimique qui, d'après l'État de Californie, peut causer le cancer, des malformations congénitales ou autre danger pour la reproduction.

Fabricant

Husqvarna Professional Products, Inc 9335
Harris Corners Pkwy, Charlotte, NC 28269,
USA

Produit endommagé

Nous ne sommes pas responsables des dommages causés à notre produit si :

- Le produit n'est pas réparé de façon adéquate.
- Le produit est réparé avec des pièces qui ne sont pas fournies ou homologuées par le fabricant.
- Le produit comprend un accessoire qui n'est pas fourni ou homologué par le fabricant.
- Le produit n'est pas réparé par un centre de service après-vente agréé ou par une autorité homologuée.

Sécurité

Définitions relatives à la sécurité

Les avertissements, recommandations et remarques soulignent des points du manuel qui revêtent une importance particulière.



AVERTISSEMENT : Indique la présence d'un risque de blessure ou de décès de l'utilisateur ou de personnes à proximité si les

instructions du manuel ne sont pas suivies.



MISE EN GARDE : Indique la présence d'un risque de dommages au produit, à d'autres appareils ou à la zone adjacente si les instructions du manuel ne sont pas suivies.

Remarque : Utilisé pour donner des renseignements plus détaillés qui sont nécessaires dans une situation donnée.

IMPORTANTES CONSIGNES DE SÉCURITÉ

Lire toutes les instructions



AVERTISSEMENT : S'assurer de lire le manuel de l'accessoire homologué et le manuel de l'unité électrique.



AVERTISSEMENT : Lors de l'utilisation d'appareils de jardinage électriques, toujours respecter les consignes de sécurité de base afin de réduire les risques d'incendie, de choc électrique et de blessure, dont les consignes suivantes :

Consignes générales de sécurité relatives aux outils électriques



AVERTISSEMENT : Consulter l'ensemble des avertissements relatifs à la sécurité, des instructions, des illustrations et des spécifications transmis avec cet outil électrique. Le non-respect des instructions indiquées ci-dessous peut provoquer une décharge, un incendie ou des blessures graves.

- **Conserver ces instructions et consignes pour consultation ultérieure.** Dans les avertissements, le terme « outil électrique » fait référence à votre appareil électrique branché sur le secteur ou alimenté par batterie (sans fil).

Sécurité de l'aire de travail

- **Maintenir l'aire de travail propre et bien éclairée.** Les endroits sombres ou encombrés sont propices aux accidents.
- **Ne pas utiliser des outils électriques dans des atmosphères explosives, notamment en présence de liquides, gaz ou poussières inflammables.** Les outils

électriques produisent des étincelles qui peuvent enflammer les poussières et les vapeurs.

- **Tenir les enfants et les spectateurs à distance lorsque l'outil électrique est en marche.** Un moment d'inattention pourrait vous en faire perdre le contrôle.

Sécurité personnelle

- **Lors de l'utilisation d'un outil électrique, toujours demeurer attentif et faire preuve de bon sens. Ne pas utiliser l'outil électrique si vous êtes fatigué ou sous l'emprise de drogues, de l'alcool ou de médicaments.** Tout moment d'inattention pendant l'utilisation d'un outil électrique peut causer de graves blessures.
- **Utiliser de l'équipement de protection personnelle. Toujours porter des lunettes de protection.** L'équipement de protection (masque antipoussière, chaussures de sécurité antidérapantes, dispositif de protection pour les oreilles, etc.) utilisé selon les conditions présentes réduit les risques de blessure.
- **Prévenir les démarrages accidentels. Vérifier que l'interrupteur est à la position d'arrêt avant de brancher l'outil dans la prise ou le bloc d'alimentation, de le saisir ou de le transporter.** Le transport des outils électriques en maintenant le doigt sur l'interrupteur d'alimentation et le branchement d'outils alors que l'interrupteur est à la position de marche expose à des accidents.
- **Retirer toute clé ou clavette de réglage avant de mettre l'outil sous tension.** Une clé ou une clavette reliée à une pièce mobile de l'outil électrique peut causer une blessure.
- **Ne pas trop se pencher vers l'avant. Toujours se tenir bien campé et en équilibre.** Cela permet de mieux contrôler l'outil électrique lors d'un imprévu.
- **S'habiller de façon appropriée. Ne jamais porter des vêtements amples ou des bijoux. Garder les cheveux, les vêtements et les gants loin des pièces mobiles.** Les vêtements amples, bijoux et cheveux longs peuvent se prendre dans les pièces en mouvement.
- **Si des dispositifs sont fournis pour raccorder des systèmes de collecte et d'extraction de la poussière, s'assurer que ceux-ci sont utilisés et correctement**

branchés. L'utilisation de dépoussiéreurs peut réduire les risques associés à la poussière.

- **Ne pas laisser la parfaite connaissance de l'outil acquise en raison de l'utilisation fréquente de ce dernier engendrer la complaisance et le non-respect des principes de sécurité relatifs à l'outil.** Une négligence peut provoquer de graves blessures en une fraction de seconde.

Utilisation et entretien des outils électriques

- **Ne pas forcer sur l'outil électrique. Utiliser l'outil électrique qui convient au travail à effectuer.** De cette façon, le résultat sera meilleur et le travail sera effectué de façon plus sécuritaire et au régime pour lequel l'outil électrique a été conçu.
- **Ne pas utiliser l'outil électrique si l'interrupteur ne permet pas la mise sous tension et l'arrêt de l'outil.** Tout outil électrique dont l'interrupteur est défectueux représente un danger et doit être réparé.
- **Débrancher la fiche de la source d'alimentation ou retirer le bloc de batteries de l'outil électrique avant de procéder aux réglages, de changer les accessoires ou de ranger l'outil.** Ces mesures de sécurité réduisent le risque de mise sous tension accidentelle.
- **Ranger les outils électriques hors de la portée des enfants et ne pas laisser des personnes qui ne connaissent pas l'outil ou les présentes consignes utiliser celui-ci.** Les outils électriques représentent un danger lorsqu'ils sont entre les mains d'utilisateurs non formés.
- **Entretien des outils électriques et les accessoires. Vérifier l'outil à la recherche de pièces brisées, de mauvais alignement ou de blocage des pièces mobiles et de toute autre situation pouvant nuire au bon fonctionnement de l'outil. Si l'outil est endommagé, il faut le réparer avant de l'utiliser.** De nombreux accidents sont causés par des outils mal entretenus.
- **Maintenir les outils tranchants aiguisés et propres.** Les outils tranchants correctement entretenus dont les bords de coupe sont bien affûtés sont moins susceptibles de se coincer et plus faciles à contrôler.
- **Utiliser l'outil électrique, les accessoires, les forêts, etc., conformément aux**

présentes instructions et en tenant compte des conditions de travail et de la tâche à réaliser. L'utilisation de l'outil électrique pour des opérations autres que celles pour lesquelles il est prévu peut entraîner des dangers.

- **Garder les poignées et les surfaces de préhension sèches, propres et exemptes d'huile et de graisse.** Les poignées et les surfaces de préhension glissantes ne permettent pas de manipuler l'outil de manière sécuritaire, ni d'en conserver le contrôle lorsqu'une situation inattendue se présente.

Utilisation et entretien des outils électriques à batteries

- **Ne recharger qu'avec le chargeur indiqué par le fabricant.** Un chargeur convenant à un type de bloc de batteries particulier peut entraîner un risque d'incendie s'il est utilisé avec un autre bloc de batteries.
- **N'utiliser des outils électriques qu'avec les blocs de batteries spécifiquement indiqués.** L'utilisation d'autres groupes de batteries peut entraîner un risque de blessure et d'incendie.
- **Lorsqu'on n'utilise pas le bloc de batteries, le tenir à l'écart d'objets métalliques, tels que les trombones, pièces de monnaie, clés, clous, vis ou autres petits objets en métal, qui peuvent établir une connexion entre les bornes.** La mise en court-circuit des bornes de la batterie peut provoquer des brûlures ou un incendie.
- **Une utilisation abusive peut laisser s'échapper du liquide de la batterie; éviter tout contact. En cas de contact accidentel, rincer abondamment à l'eau. Si du liquide entre en contact avec les yeux, consulter en outre un médecin immédiatement.** Le liquide échappé de la batterie peut provoquer des irritations ou des brûlures.
- **Ne pas utiliser un bloc de batteries ou un outil défectueux ou modifié.** Les batteries endommagées ou modifiées peuvent se comporter de manière inattendue et provoquer un incendie, une explosion ou des blessures potentielles.
- **Ne pas exposer un bloc de batteries ou l'outil au feu ou à une température excessive.** Une exposition au feu ou à une température supérieure à 130 °C/265 °F peut provoquer une explosion.

- **Suivre toutes les instructions de charge et ne pas charger la batterie ou l'outil en dehors de la plage de températures spécifiée dans les instructions.** Charge incorrectement ou à des températures en dehors de la plage spécifiée peut endommager la batterie et augmenter les risques d'incendie.

Réparations

- **Faire entretenir votre outil électrique par un technicien qualifié et utiliser uniquement des pièces de rechange identiques aux pièces d'origine.** L'entretien adéquat de l'outil permet une utilisation plus sécuritaire.
- **Ne jamais tenter de réparer un bloc de batteries endommagé.** La réparation des blocs de batteries ne devrait être effectuée que par le fabricant ou les fournisseurs de service autorisés.

Avertissements de sécurité relatifs au coupe-herbe, à la débroussaileuse et à la débroussaileuse portative

- **Ne pas utiliser la machine lorsque les conditions météo sont mauvaises en particulier s'il y a risque d'éclairs.** pour ne pas courir le risque d'être foudroyé.
- **Inspecter soigneusement la zone d'utilisation de la machine à la recherche de petits animaux.** Les animaux peuvent être blessés par la machine pendant l'utilisation.
- **Inspecter minutieusement la zone d'utilisation du produit et retirer les pierres, les bâtons, les fils, les os et tout autre objet.** La projection d'objets peut causer des blessures personnelles.
- **Avant d'utiliser la machine, toujours l'inspecter visuellement pour s'assurer que l'outil de coupe ou la lame et l'ensemble de coupe ou de lame ne sont pas endommagés.** Les pièces endommagées augmentent le risque de blessures.
- **Suivre les instructions pour le changement des accessoires.** Un serrage incorrect des écrous ou des boulons de fixation de la lame peut endommager la lame ou causer son détachement.
- **La vitesse nominale de rotation de l'outil de coupe doit être au moins égale à la vitesse maximale de rotation indiquée sur la machine.** Les outils de coupe qui tournent plus vite que leur vitesse nominale de rotation peuvent se briser et être projetés.
- **Porter des protections pour les yeux, les oreilles, la tête et les mains.** Le port d'équipement de protection approprié réduit le risque de blessures causées par la projection de débris ou un contact accidentel avec le fil de coupe ou la lame.
- **Lors de l'utilisation de la machine, toujours porter des chaussures de protection antidérapantes. Ne pas utiliser la machine pieds nus ou avec des sandales ouvertes.** Cela augmenterait le risque de blessure aux pieds causée par une lame, un fil ou un outil de coupe en mouvement.
- **Pendant l'utilisation de la machine, porter toujours de longs pantalons.** La peau exposée augmente le risque de blessures causées par la projection d'objets.
- **Tenir les passants éloignés lorsque vous utilisez la machine.** La projection de débris peut causer de graves blessures.
- **Toujours manipuler la machine avec les deux mains.** Tenir la machine avec les deux mains évitera d'en perdre le contrôle.
- **Tenir la machine uniquement par les endroits isolés prévus pour la prise de l'outil, car la lame ou le fil de coupe pourrait entrer en contact avec un câble dissimulé.** Si le fil de coupe ou les lames entrent en contact avec un câble sous tension, les parties métalliques non isolées de la machine pourraient agir comme conducteur et électrocuter l'utilisateur.
- **Toujours s'assurer d'avoir un bon appui et d'utiliser la machine uniquement en se tenant debout sur le sol.** Sur une surface glissante ou instable, il y a un risque de perte d'équilibre ou de contrôle de la machine.
- **N'utilisez pas la machine sur un terrain en pente très abrupte.** Cela augmenterait le risque de perte de contrôle, de glissement et de chute pouvant entraîner des blessures.
- **Lorsque vous travaillez sur un terrain en pente, assurez-vous toujours de vos appuis, de toujours travailler perpendiculairement à la pente, de ne jamais monter ou descendre et faites preuve d'une extrême prudence lorsque vous changez de direction.** Cela augmenterait le risque de perte de

contrôle, de glissement et de chute pouvant entraîner des blessures.

- **Garder toutes les parties du corps à l'écart de l'outil de coupe, du fil ou de la lame lorsque la machine est en marche. Avant de mettre la machine en marche, s'assurer que l'outil de coupe, le fil ou la lame n'est pas en contact avec quoi que ce soit.** Tout moment d'inattention pendant l'utilisation de la machine pourrait vous blesser ou blesser d'autres personnes.
- **N'utilisez pas la machine au-dessus de la hauteur de la taille.** De cette façon, le risque de contact accidentel avec la lame ou l'outil de coupe sera réduit et il sera plus facile de contrôler la machine dans des situations imprévues.
- **Lors de la coupe de broussailles ou de jeunes arbres en tension, prendre garde à l'effet de rebond.** Lorsque la tension présente dans les fibres du bois est relâchée, les broussailles ou les jeunes arbres peuvent frapper l'opérateur ou lui faire perdre le contrôle de la machine.
- **Toujours faire preuve d'une extrême prudence lors de la coupe de broussailles ou de jeunes arbres.** La lame peut projeter les petites branches vers l'utilisateur ou lui faire perdre l'équilibre.
- **Garder le contrôle de la machine et ne pas toucher aux outils de coupe, aux fils ou aux lames et aux autres pièces mobiles dangereuses pendant qu'elles sont toujours en mouvement.** Cela réduit le risque de blessures causées par les pièces mobiles.
- **Lors du dégagement de matières coincées ou de l'entretien de la machine, s'assurer que tous les interrupteurs sont éteints et que le bloc de batteries ou le fil d'alimentation est débranché.** Le démarrage accidentel de la machine lors du dégagement de matières coincées ou de l'entretien de la machine peut entraîner des blessures très graves.
- **Transporter la machine éteinte et éloignée de votre corps.** Une manipulation adéquate de la machine réduit le risque de contact accidentel avec le fil, la lame ou l'outil de coupe en mouvement.
- **Lors du transport ou de l'entreposage de la machine, toujours installer les couvre-lames sur les lames en métal.** Le maniement approprié de la machine réduit

le risque de contact accidentel avec la lame.

- **N'utilisez que des outils de coupe, des lignes, des têtes de coupe et des lames de rechange spécifiés par le fabricant.** Des pièces de rechange inappropriées peuvent augmenter le risque de bris ou des blessures.

Autres renseignements de sécurité générale

- Mettre l'appareil hors tension avant de passer à une autre zone. Toujours retirer la batterie avant de transmettre l'appareil à une autre personne.
- Ne jamais déposer l'appareil sans le mettre hors tension et retirer la batterie. Ne pas laisser l'appareil sans surveillance quand il est sous tension.
- L'outil de coupe ne s'immobilise pas immédiatement quand le moteur est coupé.
- Avant d'utiliser l'appareil ou après tout impact, vérifier s'il y a des signes éventuels d'usure ou de dommages et procéder aux réparations nécessaires.
- Si un objet se bloque dans l'outil de coupe alors que l'appareil est utilisé, arrêter l'appareil et le mettre hors tension. Vérifier que l'outil de coupe s'est immobilisé. Retirer la batterie avant de nettoyer, inspecter ou réparer l'appareil ou l'outil de coupe.
- Vérifier le produit avant son utilisation. Se reporter à *Dispositifs de sécurité sur l'outil à la page 47* et *Entretien à la page 53*. Ne pas utiliser l'outil s'il est endommagé. Effectuer les vérifications de sécurité, de maintenance et d'entretien conformément aux instructions fournies dans ce manuel.
- Un outil de coupe inadéquat peut accroître le risque d'accident.
- Vérifier la présence de saletés ou de fissures sur le produit. Nettoyer les herbes et les feuilles présentes sur le produit à l'aide d'une brosse. Au besoin, porter des gants.
- Toujours s'assurer de l'absence de débris dans les orifices de ventilation.
- S'assurer que la tête de désherbage est correctement fixée.
- Tous les couvercles, dispositifs de protection et poignées doivent être montés avant le démarrage.

- Vérifier que l'appareil est en parfait état de marche. Vérifier le serrage de l'ensemble des écrous et des vis.
- Inspecter la tête de désherbage et le carter de protection à la recherche de dommages et de fissures. Remplacer la tête de désherbage ou le carter de protection si l'un ou l'autre a reçu des chocs ou est fissuré. Toujours utiliser le dispositif de protection recommandé pour l'outil de coupe utilisé. Se reporter à *Accessoires à la page 57*.
- Ce produit est un outil dangereux s'il est utilisé de façon insouciant ou inappropriée. Cet outil peut causer des blessures graves, ou même mortelles, à l'utilisateur et à d'autres personnes.
- Ce produit n'est pas destiné à être utilisé par des personnes, notamment des enfants, aux capacités physiques, sensorielles ou mentales réduites, ou aux personnes manquant d'expérience et de connaissances, sauf si elles ont bénéficié de la surveillance ou des instructions concernant l'utilisation du produit par une personne responsable de leur sécurité. Les enfants doivent être supervisés afin de s'assurer qu'ils ne jouent pas avec l'outil.
- Ne jamais laisser des enfants utiliser l'appareil ou se tenir à proximité de celui-ci. L'appareil étant facile à démarrer, les enfants peuvent le faire démarrer s'ils sont laissés sans surveillance. Cela peut entraîner un risque de blessure grave. Par conséquent, débrancher la batterie lorsque l'appareil n'est pas sous surveillance.
- Ne jamais laisser des enfants ni des personnes n'ayant pas été formées à l'utilisation de l'appareil ou de sa batterie utiliser ou entretenir l'appareil.
- Remiser l'équipement dans une zone verrouillable, de façon à le mettre hors de portée des enfants et des personnes non autorisées.
- La protection de transport du coupe-herbe doit toujours être utilisée pendant l'entreposage et le transport du produit.
- Tenir les mains et les pieds éloignés en tout temps de la zone de coupe, et plus particulièrement lors du démarrage du moteur.
- Lors de la mise hors tension de l'appareil, garder les mains et les pieds à l'écart de l'outil de coupe jusqu'à l'immobilisation de celui-ci.
- Ne pas retirer l'herbe coupée ou laisser d'autres personnes retirer l'herbe coupée lorsque le moteur est en marche ou que l'outil de coupe tourne, car il peut en résulter des blessures graves.
- Garder en tête que c'est vous, l'utilisateur, qui êtes responsable de protéger les personnes et leurs biens de tout accident ou danger.
- La conception du produit ne peut en aucun cas être modifiée sans l'autorisation du fabricant. Toujours utiliser des accessoires d'origine. Les modifications et les accessoires non autorisés peuvent engendrer des blessures graves ou la mort de l'utilisateur ou d'autres personnes. Votre garantie ne couvre pas les dommages ou la responsabilité causés par l'utilisation d'accessoires ou de pièces de rechange non autorisés.
- Les seuls accessoires qui peuvent être utilisés avec cet appareil sont les équipements de coupe recommandés dans le chapitre sur les accessoires. Se reporter à *Accessoires à la page 57*.
- Ne jamais utiliser un appareil qui a été modifié de quelque manière que ce soit par rapport aux spécifications d'origine.
- Ne jamais utiliser un appareil défectueux. Effectuer les vérifications de sécurité, les réparations et l'entretien conformément aux instructions fournies dans ce manuel. Certaines réparations et tâches d'entretien doivent être effectuées par des spécialistes formés et qualifiés. Voir les instructions à la section Entretien.
- Le fait de travailler par mauvais temps est éprouvant et augmente les risques. En raison des risques supplémentaires, il n'est pas recommandé d'utiliser l'appareil par très mauvais temps, par exemple en cas de brouillard épais, de pluie diluvienne, de vent violent, de froid intense, de risque d'éclair, etc.
- Ne jamais travailler debout sur une échelle, un tabouret, ou dans une autre position élevée n'offrant pas une sécurité maximale.
- Rangement des produits à l'intérieur – Ranger les appareils à l'intérieur lorsqu'ils ne sont pas utilisés

- Il n'est pas possible de couvrir toutes les situations imaginables qui pourraient se produire. Toujours faire preuve d'attention et de bon sens. Éviter toutes les situations qui vous semblent difficiles. En cas d'incertitude au sujet des procédures d'utilisation après avoir lu ces instructions, consulter un expert avant de continuer.
- S'assurer qu'aucune personne ni aucun animal ne s'approche à moins de 15 m (50 pi) pendant le travail. Lorsque plusieurs utilisateurs travaillent dans la même zone, la distance de sécurité doit être d'au moins 15 m (50 pi). Le non-respect de cette directive peut entraîner de graves blessures. Arrêter l'appareil immédiatement si une personne s'approche. Ne jamais entamer un mouvement de balancement avec l'appareil sans d'abord jeter un coup d'œil derrière pour s'assurer que personne ne se trouve dans la zone de sécurité.
- S'assurer qu'aucune personne ni aucun animal ou objet ne gêne le contrôle de l'appareil ou n'entre en contact avec l'outil de coupe ou des objets projetés par l'outil de coupe. Ne pas utiliser l'appareil s'il est impossible d'appeler de l'aide en cas d'accident.
- S'assurer qu'il est possible de se déplacer et de se tenir debout en toute sécurité. Repérer les obstacles éventuels (racines, roches, branches, fossés, etc.) en cas de déplacement imprévu. Faire très attention lors du travail sur une pente.
- Toujours marcher, ne jamais courir.
- Inspecter la zone de travail. Retirer tous les objets mobiles tels que les pierres, le verre cassé, les clous, les fils de fer, les cordes, etc., qui pourraient être projetés ou s'enrouler autour de l'outil de coupe ou de son dispositif de protection.
- Prendre garde aux éclats de bois qui peuvent être projetés lors de la coupe. Ne pas couper trop près du sol; des pierres ou d'autres objets pourraient d'être projetés.
- S'assurer qu'aucun vêtement ni aucune partie du corps n'entre en contact avec l'outil de coupe lorsque l'appareil est sous tension. Tenir l'appareil sous le niveau de la taille.
- Faire preuve de prudence à l'égard des projections d'objets. Toujours porter des lunettes de protection homologuées. Ne jamais se pencher au-dessus du dispositif

de protection de l'outil de coupe. Des pierres, des débris, etc. peuvent être projetés dans vos yeux, ce qui peut causer la cécité ou des blessures graves.

- Rester attentif aux appels ou cris d'avertissement lors de l'utilisation des protecteurs d'oreilles. Toujours retirer le dispositif de protection pour les oreilles dès que l'appareil s'arrête.
- Si une vibration inhabituelle survient, dérouler le fil pour qu'il soit à la bonne longueur et que la vibration cesse.
- Si l'appareil commence à vibrer de manière anormale, l'arrêter et retirer la batterie.
- Une surexposition aux vibrations peut entraîner des problèmes circulatoires ou des troubles nerveux, en particulier chez les personnes ayant des troubles circulatoires. Parler à un médecin en cas de symptômes liés à une surexposition aux vibrations. Voici certains de ces symptômes : engourdissement, perte de sensibilité, fourmillement, picotement, douleur, faiblesse musculaire, décoloration ou modification de l'épiderme. Ces symptômes apparaissent habituellement aux doigts, aux mains et aux poignets.
- Les vibrations produites pendant l'utilisation de l'outil peuvent différer de la valeur totale déclarée, selon la manière dont l'outil est utilisé. L'utilisateur doit déterminer les mesures de sécurité qui sont nécessaires à sa protection sur la base d'une estimation de son exposition dans les conditions d'utilisation réelles (en tenant compte de chaque phase du cycle opératoire, soit lorsque l'outil est éteint, lorsqu'il est utilisé activement et lorsqu'il fonctionne au ralenti).
- Toujours tenir l'appareil des deux mains. Tenir l'appareil sur le côté droit du corps.

Équipement de protection personnelle



AVERTISSEMENT : Lire les messages d'avertissement qui suivent avant d'utiliser le produit.

- Toujours utiliser un équipement de protection personnelle homologué lors de l'utilisation de l'appareil. Cet équipement de protection personnelle n'élimine pas complètement les risques de blessures, mais il peut en réduire la gravité en

cas d'accident. Laisser le concessionnaire aider à sélectionner l'équipement adéquat.

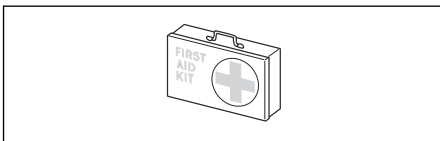
- Porter un casque de protection en cas de risque de chute d'objets.
- Porter des protecteurs d'oreille homologués qui assurent une réduction adéquate du bruit. L'exposition prolongée au bruit peut causer des lésions auditives permanentes.
- Utiliser un dispositif de protection homologué pour les yeux. Porter également des lunettes de protection homologuées en cas d'utilisation d'une visière. Les lunettes de protection homologuées doivent être conformes à la norme ANSI Z87.1 aux États-Unis ou à la norme EN 166 dans les pays de l'Union européenne.
- Utiliser une visière pour protéger le visage. La visière n'est pas suffisante pour protéger les yeux.



- Utiliser des gants au besoin, par exemple lors de la fixation, de l'examen ou du nettoyage de l'outil de coupe.
- Porter des bottes antidérapantes robustes.
- Utiliser des vêtements faits de tissus résistants. Toujours utiliser des pantalons longs et lourds et des manches longues. Ne pas porter des vêtements amples qui peuvent se prendre dans les broussailles et les branches. Ne pas porter des bijoux, des pantalons courts, des sandales et ne pas marcher pieds nus. Garder les cheveux au-dessus des épaules.



- Garder une trousse de premiers soins à portée de main.



Dispositifs de sécurité sur l'outil



AVERTISSEMENT : Lire les messages d'avertissement qui suivent avant d'utiliser l'appareil.

Cette section décrit l'équipement de sécurité du produit, son but et la façon d'en effectuer les inspections et l'entretien afin de s'assurer qu'il fonctionne correctement. Consulter les instructions sous la rubrique *Introduction à la page 39* pour trouver où ces pièces se trouvent sur votre produit.

La durée de vie du produit peut être réduite et le risque d'accident peut augmenter si l'entretien de la machine n'est pas effectué correctement et si l'entretien ou les réparations ne sont pas effectués de façon professionnelle. Pour obtenir de plus amples informations, veuillez communiquer avec votre concessionnaire le plus proche.



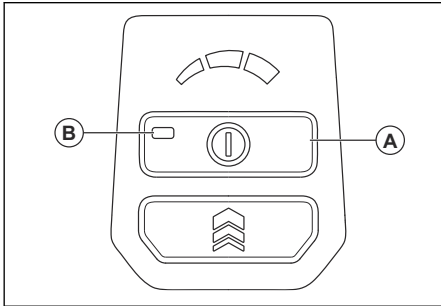
AVERTISSEMENT : Ne jamais utiliser un produit dont les composants de sécurité sont endommagés. L'équipement de sécurité du produit doit être inspecté et entretenu selon les directives de la présente section. Si une inspection de la machine détecte une panne, communiquer avec un atelier spécialisé pour réparation.



MISE EN GARDE : Tous les travaux de réparation nécessitent une formation spéciale. Ceci concerne particulièrement l'équipement de sécurité de la machine. Si les contrôles suivants ne donnent pas un résultat positif, vous devez communiquer avec un atelier spécialisé. L'achat de l'un de nos produits offre à l'acheteur la garantie d'un service et de réparations qualifiés. Si le détaillant qui vous a vendu la machine n'est pas un centre de service agréé, demandez-lui l'adresse de l'atelier spécialisé le plus proche.

Vérification du clavier

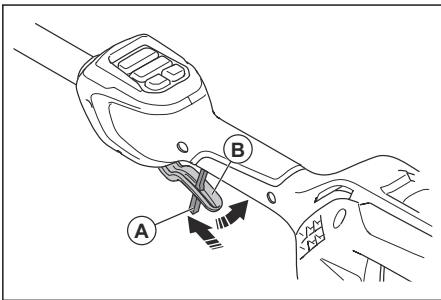
- Maintenir enfoncé le bouton d'alimentation (A).



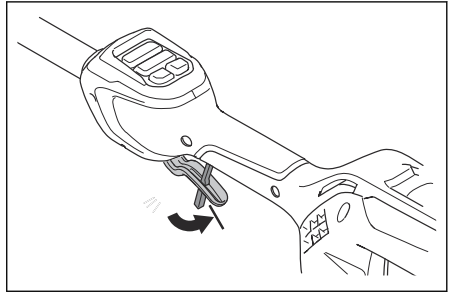
- a) Quand le produit est sous tension, le témoin à DEL (B) s'allume.
- b) Quand le produit est hors tension, le témoin à DEL (B) s'éteint.

Vérification du verrouillage de la gâchette

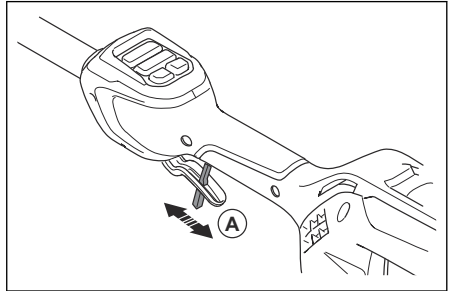
Le mécanisme de verrouillage de la gâchette empêche toute mise en marche accidentelle. Pousser vers l'avant le mécanisme de verrouillage (A) libère la gâchette (B). Quand la poignée est relâchée, la gâchette de puissance et son mécanisme de verrouillage retournent à leur position initiale.



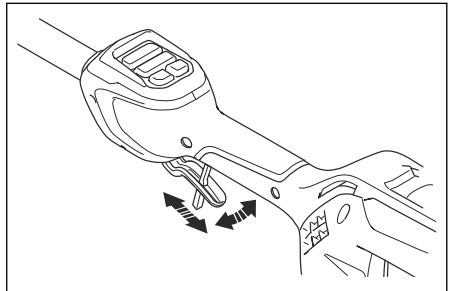
1. Vérifier que la gâchette est verrouillée quand le bouton de verrouillage est à sa position initiale.



2. Pousser le mécanisme de verrouillage de la gâchette (A) vers l'avant. S'assurer que le tout revient à sa position initiale lorsque relâché.



3. Vérifier que la gâchette de puissance et le mécanisme de verrouillage de la gâchette bougent librement et que le ressort de rappel fonctionne correctement.



4. Démarrer l'outil. Se reporter à la section *Mise sous tension de l'appareil* à la page 51.
5. Faire tourner le moteur à plein régime.
6. Relâcher la gâchette de puissance et s'assurer que l'outil de coupe s'arrête complètement.

Consignes de sécurité pour l'assemblage



AVERTISSEMENT : Lire le manuel de l'unité électrique et le manuel de l'accessoire homologué.

- Retirer la batterie du produit avant d'assembler le produit.
- Utiliser les gants de protection homologués.
- Une protection de coupe-herbe défectueuse ou incompatible peut causer des blessures. Ne pas utiliser un outil de coupe qui ne dispose pas d'une protection homologuée fixée.
- S'assurer d'assembler adéquatement le couvercle et l'arbre avant de démarrer le moteur.
- Si un harnais est fourni avec l'outil, celui-ci doit être correctement fixé à l'outil. Le harnais rend l'utilisation du produit plus efficace.

Consignes de sécurité pour la maintenance



AVERTISSEMENT : Lire les messages d'avertissement qui suivent avant de procéder à l'entretien de la machine.

- Retirer la batterie avant d'effectuer l'entretien, de procéder à d'autres contrôles ou d'assembler le produit.
- L'utilisateur ne doit effectuer que les travaux de réparation et d'entretien décrits

dans ce manuel d'utilisation. Se rendre dans le centre de service agréé pour les travaux de réparation ou d'entretien plus importants.

- Ne pas nettoyer la batterie ou le chargeur de batterie avec de l'eau. Les détergents puissants peuvent endommager le plastique.
 - En absence d'entretien, cela réduit la durée de vie du produit et augmente le risque d'accident.
 - Une formation spécifique est nécessaire pour tous les travaux d'entretien et de réparation, en particulier pour les dispositifs de sécurité sur le produit. Si toutes les vérifications indiquées dans ce manuel d'utilisation ne sont pas homologuées une fois l'entretien effectué, se rendre dans le centre de service La disponibilité des réparations et des entretiens effectués de façon professionnelle est garantie pour votre produit.
 - Utiliser des pièces de rechange d'origine.
 - Toujours porter des gants très résistants lors de la réparation de l'outil de coupe. Les lames sont très tranchantes et peuvent facilement provoquer des coupures.
-



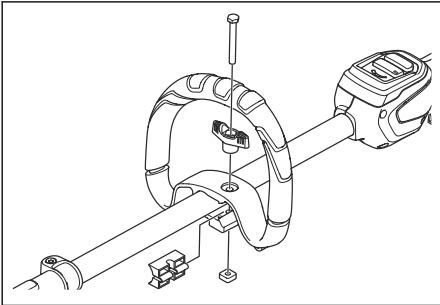
AVERTISSEMENT : Ne pas laver la machine avec de l'eau sous pression, car l'eau peut s'infiltrer dans le système électrique ou le moteur et endommager la machine ou engendrer un court-circuit.

CONSERVER CES INSTRUCTIONS

Montage

Pour monter la poignée en boucle

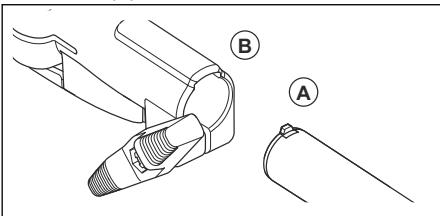
1. Fixer le guidon en boucle sur l'arbre entre les flèches.



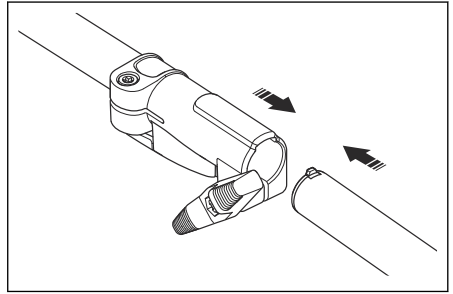
2. Déplacer l'entretoise dans la fente du guidon en boucle.
3. Installer la vis et le bouton. Ne pas trop serrer.
4. Régler la poignée en boucle à une position adéquate.
5. Serrer le bouton.

Pour assembler l'arbre en deux pièces

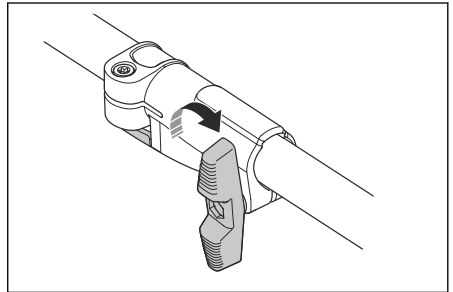
1. Tourner le bouton pour desserrer le raccord.
2. Aligner la languette de l'équipement de coupe (A) avec l'encoche figurant sur le raccord (B).



3. Pousser avec précaution l'arbre dans le raccord jusqu'à entendre un dé clic.

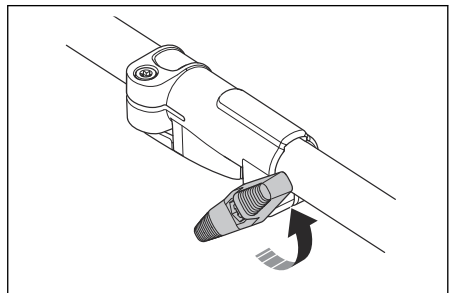


4. Serrer le bouton à fond.



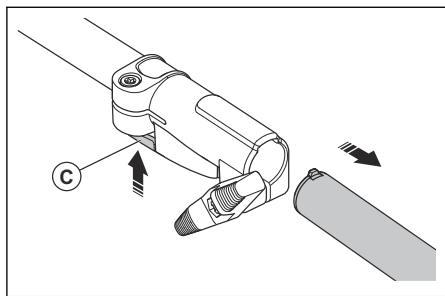
Pour démonter l'arbre en deux pièces

1. Tourner le bouton de 3 tours ou plus pour desserrer le raccord.



2. Appuyer longuement sur le bouton (C).
3. Tenir fermement l'extrémité de l'arbre rattachée au moteur.

4. Tirer l'outil bien droit pour l'extraire du raccord.



Fonctionnement

Introduction



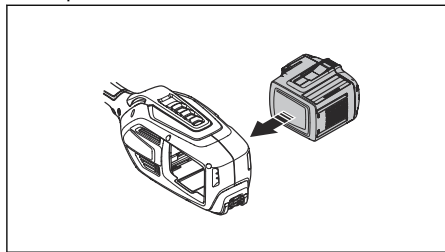
AVERTISSEMENT : Lire et comprendre le chapitre sur la sécurité avant d'utiliser le produit.

Branchement de la batterie



AVERTISSEMENT : Utiliser uniquement des batteries d'origine Husqvarna avec le produit.

1. Vérifier que la batterie est chargée à bloc.
2. Pousser la batterie dans le porte-batterie de l'appareil. Quand la batterie se bloque en position, un déclic se fait entendre.



MISE EN GARDE : Si la batterie ne s'insère pas facilement dans le porte-batterie, elle n'est pas bien installée. Cela pourrait endommager le produit.

3. Vérifier que le protège-main est bien installé.

Position de travail

- Tenir l'outil avec les deux mains.
- Tenir l'outil sur le côté droit du corps.
- Tenir l'outil de coupe sous la taille de l'utilisateur.
- Garder les parties du corps à l'écart des surfaces chaudes.
- Garder les parties du corps à l'écart de l'outil de coupe.

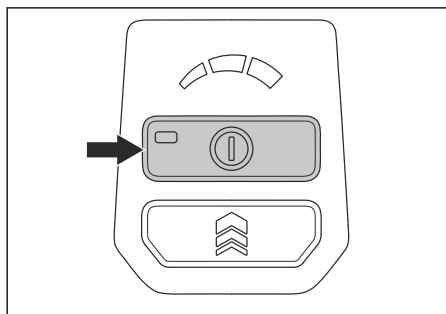
Avant d'utiliser le produit

- Examiner la zone de travail pour s'assurer de connaître le type de terrain, l'inclinaison du sol et s'il y a des obstacles tels que des pierres, des branches et des fossés.
- Effectuer une inspection relative à la révision du produit.
- Effectuer les inspections de sécurité, les réparations et l'entretien indiqués dans ce manuel.
- S'assurer que tous les couvercles, toutes les protections, toutes les poignées et tous les accessoires sont correctement fixés et en bon état.

Mise sous tension de l'appareil

1. Placer le produit en position de démarrage.

- Appuyer sur le bouton d'alimentation et le maintenir enfoncé jusqu'à ce que la DEL verte s'allume.



- Utiliser le commutateur d'activation pour commander la vitesse.

Fonction de mode de vitesse

Vous pouvez utiliser le produit avec trois modes de vitesse.

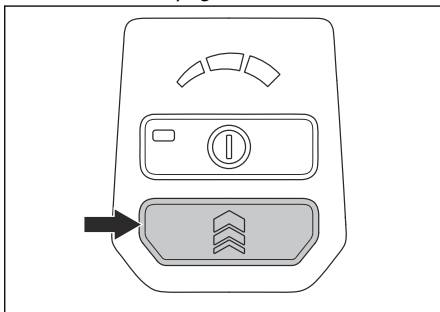
- Mode eco : 1 voyant à DEL s'allume sur l'affichage du mode de vitesse lorsque vous utilisez le produit. Utiliser le mode eco pour les tâches plus simples et pour prolonger l'autonomie de la batterie.
- Mode normal : 2 voyants à DEL s'allument sur l'affichage du mode de vitesse lorsque vous utilisez le produit. Le mode normal convient à la plupart des tâches. Le produit est configuré en mode normal lors du démarrage.
- Mode survoltage : 3 voyants à DEL s'allument sur l'affichage du mode de vitesse lorsque vous utilisez le produit. Utiliser le mode survoltage pour les tâches nécessitant plus de puissance.

Remarque : Si la gâchette de puissance est relâchée, le produit reste au dernier mode de vitesse utilisé lorsqu'il est remis en marche. Si le produit s'arrête automatiquement, le produit passe en mode normal lorsqu'il est remis en marche.

Pour sélectionner un mode de vitesse

Vous pouvez régler le mode de vitesse voulu lorsque vous utilisez le produit.

- Appuyer sur le bouton du mode de vitesse jusqu'à ce que le mode voulu soit sélectionné. Les voyants à DEL s'allument, se reporter à la section *Fonction de mode de vitesse* à la page 52.

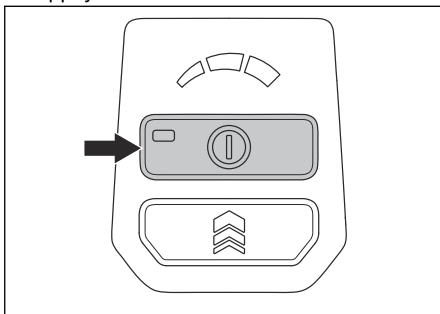


Fonction d'arrêt automatique

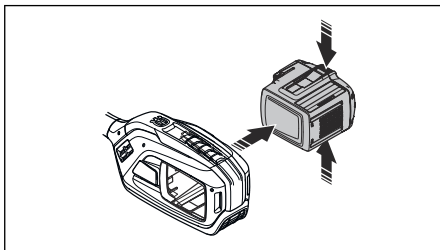
Le produit est doté d'une fonction d'arrêt automatique qui met l'outil hors fonction quand il n'est pas utilisé. La DEL verte de marche-arrêt s'éteint et le produit se met hors tension après 120 secondes.

Mise hors tension de l'appareil

- Relâcher la gâchette ou son mécanisme de verrouillage.
- Appuyer sur le bouton d'alimentation.



- Appuyer sur les boutons de déverrouillage de la batterie et retirer la batterie.



Entretien

Introduction



AVERTISSEMENT : Avant de procéder à l'entretien, lire et bien comprendre le chapitre sur la sécurité.

Calendrier de maintenance



AVERTISSEMENT : Retirer la batterie avant de procéder à l'entretien.

Voici les mesures d'entretien à effectuer sur l'appareil.

Entretien	Tous les jours	Toutes les semaines	Men-suel
Nettoyer les pièces externes de l'appareil avec un chiffon sec. Ne pas utiliser d'eau.	X		
Vérifier que le bouton d'alimentation fonctionne correctement et n'est pas endommagé.	X		
Vérifier que la gâchette et son mécanisme de verrouillage fonctionnent correctement et de façon sécuritaire.	X		
Vérifier que toutes les commandes fonctionnent et qu'elles ne sont pas endommagées.	X		
Garder les poignées sèches, propres et exemptes d'huile et de graisse.	X		
Vérifier que les vis et les écrous sont bien serrés.	X		
Vérifier que les boutons de déverrouillage de la batterie fonctionnent et gardent la batterie bien fixée à l'appareil.	X		
Vérifier que la batterie n'est pas endommagée.	X		
Vérifier que la batterie est chargée.	X		
S'assurer que le chargeur de batterie n'est pas endommagé et qu'il fonctionne correctement.	X		
Vérifier tous les câbles, raccords et connexions. S'assurer qu'ils sont en bon état et exempts de saletés.		X	
Vérifier les points de connexion entre la batterie et l'appareil. Examiner également le point de connexion entre la batterie et le chargeur.			X

Pour nettoyer le produit, la batterie et le chargeur de batterie.

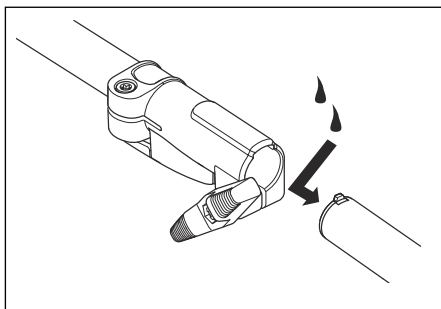
1. Nettoyer le produit à l'aide d'un chiffon sec après utilisation.
2. Nettoyer la batterie et chargeur de batterie à l'aide d'un chiffon sec. Garder les chemins de guidage de la batterie propres.

3. S'assurer que les bornes de la batterie et le chargeur de batterie sont propres avant de placer la batterie dans le chargeur de batterie ou sur le produit.

Arbre en deux pièces

Appliquer de la graisse sur l'extrémité de l'arbre d'entraînement après chaque

30 heures de fonctionnement. Il y a un risque que les extrémités de l'arbre d'entraînement (raccords cannelés) des modèles avec arbres en deux pièces se grippent si elles ne sont pas lubrifiées régulièrement.



Dépannage

Clavier

Le voyant à DEL du bouton d'alimentation clignote	Anomalies potentielles	Action possible
En continu	Niveau de batterie faible	Charger la batterie.
2 clignotements	Sous-tension.	<ol style="list-style-type: none"> 1. Éteindre le produit. 2. Allumer le produit à nouveau. 3. Si le problème persiste, communiquer avec votre atelier spécialisé.
3 clignotements	Batterie défectueuse.	Remplacer la batterie.
4 clignotements	Surintensité.	<ol style="list-style-type: none"> 1. Éteindre le produit. 2. Allumer le produit à nouveau. 3. Si le problème persiste, communiquer avec votre atelier spécialisé.
5 clignotements	Température élevée.	Laisser l'outil refroidir!
6 clignotements	Anomalie du bloc de rotation.	<ol style="list-style-type: none"> 1. Éteindre le produit. 2. Allumer le produit à nouveau. 3. Si le problème persiste, communiquer avec votre atelier spécialisé.
9 clignotements	Mode de protection activé.	<ol style="list-style-type: none"> 1. Éteindre le produit. 2. Allumer le produit à nouveau. 3. Changer la méthode de travail si le mode de protection s'active de nouveau.

Le voyant à DEL du bouton d'alimentation clignote	Anomalies potentielles	Action possible
10 clignotements	Erreur de communication avec la batterie.	<ol style="list-style-type: none"> 1. Retirer la batterie. 2. Nettoyer les connecteurs de batterie à l'air comprimé ou à l'aide d'une brosse douce. 3. Réinstaller correctement la batterie.

Batterie

État	Anomalies potentielles	Procédure possible
La DEL d'avertissement de la batterie clignote.	Écart de température, la batterie est trop froide ou trop chaude pour être utilisée.	Laisser la batterie se refroidir ou la placer à l'intérieur afin de lui permettre de se réchauffer. Lorsque la température de la batterie est adéquate, il sera possible de l'utiliser. Utiliser la batterie à des températures ambiantes indiquées dans <i>Caractéristiques techniques à la page 56</i> .
	La batterie est à plat.	Charger la batterie.
La DEL d'avertissement de la batterie s'allume.	Erreur de batterie permanente.	Communiquer avec votre centre de services.

Chargeur de batterie

État	Anomalies potentielles	Procédure possible
Le voyant DEL du système de charge est rouge.	Erreur permanente du chargeur de batterie	Communiquer avec votre centre de services.
Le voyant DEL du système de charge clignote en rouge.	Écart de température, la batterie est trop froide ou trop chaude pour être utilisée ou chargée.	Laisser la batterie se refroidir ou se réchauffer. Lorsque la température de la batterie est adéquate, il sera possible de l'utiliser ou de la recharger. Utiliser le chargeur de batterie à des températures ambiantes indiquées dans <i>Caractéristiques techniques à la page 56</i> .
Le voyant DEL du système de charge clignote en vert.		
Le voyant DEL du système de charge clignote en rouge.	Batterie défectueuse.	Communiquer avec votre centre de services.

Transport, entreposage et mise au rebut

Transport et entreposage

- Respecter les exigences de la loi sur les produits dangereux avec la batterie au lithium.
- Respecter l'exigence spéciale relative à l'emballage et aux étiquettes pour le transport commercial, y compris par des tiers et des transitaires.
- Communiquer avec une personne ayant une formation spéciale en matière de composés dangereux avant d'envoyer le produit. Respecter tous les règlements nationaux applicables.
- Utiliser du ruban adhésif sur des contacts ouverts lorsque vous emballez la batterie. Placer la batterie dans un emballage hermétique pour éviter tout mouvement.
- Déposer la batterie pour le remisage ou le transport.
- Placer la batterie et le chargeur de batterie dans un espace sec et exempt d'humidité et de gel.
- Ne pas maintenir la batterie dans une zone où l'électricité statique peut se développer. Ne pas entreposer la batterie dans une boîte métallique.
- Entreposer la batterie dans un endroit où la température est comprise entre 41°F (5°C) et 77°F (25°C) et à l'écart des rayons directs du soleil.
- Entreposer le chargeur de batterie dans un endroit où la température est comprise entre 41°F (5°C) et 113°F (45°C) et à l'écart des rayons directs du soleil.
- Utiliser le chargeur de batterie seulement lorsque la température ambiante est

comprise entre 41°F (5°C) et 104°F (40°C).

- Charger la batterie entre 30 % et 50 % avant de la remiser pour une longue période.
- Entreposer le chargeur de batterie dans un endroit clos et sec.
- Tenir la batterie à l'écart du chargeur de batterie pendant la période d'entreposage. Ne pas laisser des enfants et d'autres personnes non autorisées toucher l'équipement. Maintenir l'équipement dans un endroit qui peut être verrouillé.
- Nettoyer le produit et effectuer un entretien complet avant de l'entreposer dans le local de rangement pendant une longue période.
- Utiliser le fourreau de transport sur le produit afin d'éviter des blessures ou des dommages au produit pendant le transport et le remisage.
- Fixer le produit de façon sécuritaire pendant le transport.

Mise au rebut de la batterie, du chargeur de batterie et de l'outil

Les symboles figurant sur l'outil ou son emballage indiquent qu'il ne s'agit pas d'une ordure ménagère. Recycler dans un centre de recyclage pour équipements électriques et électroniques. De cette façon, vous ne nuirez pas à l'environnement.

Pour savoir comment recycler ce produit, communiquer avec les autorités locales, le service de ramassage des ordures ménagères ou votre concessionnaire.

Caractéristiques techniques

	330iK
Moteur	
Type de moteur	BLDC (sans balais) 36 V
Poids	
Poids (unité électrique seulement), lb/kg	5,8/2,63
Limites de température	

	330iK
Température ambiante lors du fonctionnement, °F/°C	14 à 104/-10 à 40
Température ambiante lors du remisage, °F/°C	41 – 77 / 5 – 25

Batteries homologuées pour le produit

Batterie	BLi22	BLi30	40-B140
Type	Lithium-ion	Lithium-ion	Lithium-ion
Capacité de la batterie, Ah	4,2	7,5	4,0
Tension nominale, V	36	36	36
Poids, lb/kg	2,9 / 1,3	4,2/1,9	2,6/1,2

Chargeurs de batteries approuvés

Chargeur de batterie	QC250	40-C80
Tension d'entrée, V	100 à 240	100 à 240
Fréquence, Hz	50-60	50-60
Puissance, W	250	80

Accessoires

Accessoires

Accessoires homologués	Utilisation avec
Accessoire de coupe TA320	330iK
Accessoire de coupe-brosse BCA850	330iK
Accessoire d'appareil à mouvement de va-et-vient RA850	330iK
Accessoire pour aspiro-souffleur BA101	330iK
Accessoire pour taille-bordures ECA308	330iK
Accessoire pour taille-bordures ECA850	330iK
Accessoire pour taille-bordures ESA850	330iK
Accessoire de taille-haie HA322	330iK
Accessoire de taille-haie HA860	330iK

Accessoires homologués	Utilisation avec
Accessoire de sciage PA310	330iK
Accessoire de balayeuse SR600-2	330iK
Accessoire pour brosse en soies BR600	330iK
Accessoire pour démousseur DT600	330iK
Accessoire pour cultivateur CA230	330iK



Husqvarna®

www.husqvarna.com

Original instructions
Instrucciones originales
Instructions d'origine

1143520-49 Rev. 3



2023-11-06