

# **Kawasaki**

— ENGINES —

---

## OWNER'S MANUAL MANUAL DEL PROPIETARIO

4-STROKE ELECTRONIC FUEL INJECTION AIR-COOLED V-TWIN GASOLINE ENGINE  
MOTOR DE GASOLINA DE 4 TIEMPOS BICILÍNDRICO EN V CON REFRIGERACIÓN  
POR AIRE E INYECCIÓN ELECTRÓNICA DE COMBUSTIBLE

### **FX850V - EFI**



**ENGLISH**

# **General-purpose Engine Owner's Manual**

Original instructions



# SAFETY AWARENESS

Whenever you see the symbols shown below, heed their instructions! Always follow safe operating and maintenance practices.

## **DANGER**

**DANGER** indicates a hazardous situation which, if not avoided, will result in death or serious injury.

## **WARNING**

**WARNING** indicates a hazardous situation which, if not avoided, could result in death or serious injury.

## ***NOTICE***

**NOTICE** is used to address practices not related to personal injury.

## **NOTE**

○ *NOTE* indicates information that may help or guide you in the operation or service of the vehicle.

# READ THIS FIRST

For your safety, read this Owner's Manual and understand it thoroughly before operating this ENGINE.

## DANGER

Exhaust gas contains carbon monoxide, a colorless, odorless poisonous gas. Inhaling carbon monoxide can cause serious brain injury or death. **DO NOT** run the engine in enclosed areas. Operate only in a well-ventilated area. Gasoline is extremely flammable and can be explosive under certain conditions, creating the potential for serious burns. When refueling, servicing fuel system, draining gasoline and/or adjusting the carburetor: Stop engine and allow it to cool before refueling. **DO NOT** smoke. Make sure the area is well-ventilated and free from any source of flame or sparks, including the pilot light of any appliance. **DO NOT** fill the tank so the fuel level rises into the filler neck or level surface of level gauge. If the tank is overfilled, heat may cause the fuel to expand and overflow through the vents in the tank cap. Wipe off any spilled gasoline immediately. Engines can become extremely hot during normal operation. To prevent fire hazard: Keep the engine at least 1 m (3.3 ft) away from buildings, obstructions and other flammable objects. **DO NOT** place flammable objects close to the engine. **DO NOT** expose combustible materials to the engine exhaust. **DO NOT** use the engine on any forest covered, brush covered or grass covered unimproved land unless spark arrester is installed on the muffler. To avoid getting an electric shock, **DO NOT** touch spark plugs, plug caps or spark plug leads during engine running. To avoid a serious burn, **DO NOT** touch a hot engine or muffler. The engine becomes hot during operation. Before you service or remove parts, stop engine and allow the engine to cool. **DO NOT** place hands or feet near moving or rotating parts. Place a protective cover over pulley, V belt or coupling. **DO NOT** run engine at excessive speeds. This may result in injury. Always remove the spark plug caps from spark plugs when servicing the engine to prevent accidental starting.

Read warning labels which are on the engine and understand them. If any label is missing, damaged, or worn, get a replacement from an authorized Kawasaki engine dealer and install it in the correct position.

# EMISSION CONTROL INFORMATION

## Fuel Information

THIS ENGINE IS CERTIFIED TO OPERATE ON UNLEADED REGULAR GRADE GASOLINE ONLY. A minimum of 87 octane of the antiknock index is recommended. The antiknock index is posted on service station pumps in the U.S.A.

## Emission Control Information

To protect the environment in which we all live, Kawasaki has incorporated an exhaust emission control system in compliance with applicable regulations of the United States Environmental Protection Agency (EPA). Also, depending on when your engine was produced, it may have an assigned emissions durability period.

\* See below for the engine emissions durability period that may apply to your engine.

## Exhaust Emission Control System

The exhaust emission control system applied to this engine consists of a fuel system and an Electronic Fuel Injection (EFI) system having optimum ignition timing characteristics. The EFI system has been calibrated to provide lean air/fuel mixture characteristics and optimum fuel economy with a suitable air cleaner and exhaust system.

A sealed-type crankcase emission control system is also used to eliminate blow-by gasses. The blow-by gasses are led to a breather chamber through the crankcase and from there to the air cleaner.

## Engine Emissions Compliance Period

### Engines Greater Than or Equal To 225 cc

Durability Period – 1,000 hours (Category A)

★If your engine has an assigned emissions durability period it will be located on the certification label attached to the engine (IMPORTANT ENGINE INFORMATION).

## High Altitude Performance Adjustment Information

Engine models with fuel injection do not require high altitude performance adjustment.

## **Maintenance and Warranty**

Proper maintenance is necessary to ensure that your engine will continue to have low emission levels. This Owner's Manual contains those maintenance recommendations for your engine. Those items identified by the Periodic Maintenance Chart are necessary to ensure compliance with the applicable standards.

As the owner of the engine, you have the responsibility to make sure that the recommended maintenance is carried out according to the instructions in this Owner's Manual at your own expense.

The Kawasaki Limited Emission Control System Warranty requires that you return your engine to an authorized Kawasaki engine dealer for remedy under warranty. Please read the warranty carefully, and keep it valid by complying with the owner's obligations it contains.

## **Tampering with Emission Control System Prohibited**

Federal law prohibit the following acts or the causing there of: (1) the removal or rendering inoperative by any person other than for purposes of maintenance, repair, or replacement, of any device or element of design incorporated into any new engine for the purposes of emission control prior to its sale or delivery to the ultimate purchaser or while it is in use, or (2) the use of the engine after such device or element of design has been removed or rendered inoperative by any person.

Among those acts presumed to constitute tampering, do not tamper with the original emission related parts below:

- Fuel injection system, and their internal parts
- Spark Plug
- Electronic ignition system
- Fuel filter element
- Air cleaner element
- Crankcase
- Cylinder heads
- Breather chamber and internal parts
- Intake pipe and tube



# FOREWORD

We wish to thank you for purchasing this Kawasaki engine.

**Please read this Owner's Manual carefully before starting your new engine** so that you will be thoroughly familiar with the proper operation of your engine's control, its features, capabilities and limitations.

Also read the manual of the equipment to which this engine is attached.

To ensure a long, trouble-free life for your engine, give it the proper care and maintenance described in this manual. Always keep this manual at your fingertip so that you can refer to it whenever you need information. This manual should be considered a permanent part of the engine and should remain with the engine when it is sold.

Please note that the photographs and illustrations shown in this manual are based on Model FX850V EFI as a typical example among other similar models.

All rights reserved. No part of this publication may be reproduced without our prior written permission.

This publication includes the latest information available at the time of printing. However, there may be minor differences between the actual product and illustrations and text in this manual.

All products are subject to change without prior notice or obligation.

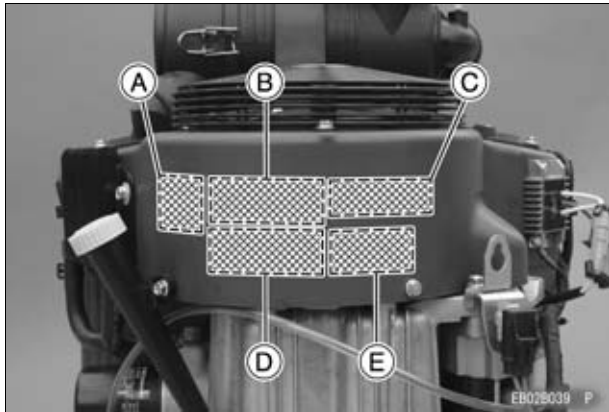
**KAWASAKI HEAVY INDUSTRIES, LTD.**  
**Motorcycle & Engine Company**

# TABLE OF CONTENTS

<b>GENERAL INFORMATION</b> .....	9	Cap (Dust Ejector Valve) .....	27
Location of Safety Related Labels .....	9	Replace the air cleaner element .....	28
Location of Parts .....	10	Fuel Filter and Fuel Pump Service .....	29
Engine Serial Number .....	11	Spark Plug Service .....	29
Tune-up Specifications .....	12	Fuse Service .....	30
Battery Capacity .....	12	Cooling System Cleaning .....	31
Fuel .....	13	<b>STORAGE</b> .....	36
<b>STARTING</b> .....	14	Engine Storage Procedure .....	36
Start Engine .....	14	<b>TROUBLESHOOTING GUIDE</b> .....	37
<b>OPERATING</b> .....	16	<b>ENVIRONMENTAL PROTECTION</b> .....	40
Warming Up .....	16	<b>SPECIFICATIONS</b> .....	41
Engine Inclination .....	16		
MIL (Malfunction Indicator Light) .....	17		
Reduced Power Mode (Engine speed reduced to low idle) .....	17		
<b>STOPPING</b> .....	18		
Stopping the Engine .....	18		
Ordinary Stop .....	18		
Emergency Stop .....	18		
<b>ADJUSTMENT</b> .....	19		
Engine Speed Adjustment .....	19		
<b>MAINTENANCE</b> .....	20		
Periodic Maintenance Chart .....	21		
Oil Level Check .....	23		
Oil Cooler Service .....	24		
Oil Change .....	24		
Oil Filter Change .....	26		
Air Cleaner Service .....	27		
Air Cleaner .....	27		
Primary Element .....	27		
Secondary Element .....	27		

# GENERAL INFORMATION

## Location of Safety Related Labels



- A. Warning Label
- B. Emission Label (Except California)
- C. Engine Maintenance
- D. Emission Label
- E. Product Label (Engine Serial Number)

A)



EB02062B S

## 10 GENERAL INFORMATION

B)

THIS ENGINE DOES NOT COMPLY WITH CALIFORNIA OFF-ROAD OR ON-HIGHWAY EMISSION REQUIREMENTS. SALE OR INSTALLATION OF THIS ENGINE FOR ANY PURPOSE OTHER THAN AS A REPLACEMENT ENGINE IN AN OFF-ROAD VEHICLE OR PIECE OF OFF-ROAD EQUIPMENT WHOSE ORIGINAL ENGINE WAS NOT CERTIFIED, IS A VIOLATION OF CALIFORNIA LAW SUBJECT TO CIVIL PENALTY.

 **Kawasaki** KAWASAKI MOTORS MANUFACTURING CORP., U. S. A.

EB02064B S

C)

### ENGINE MAINTENANCE

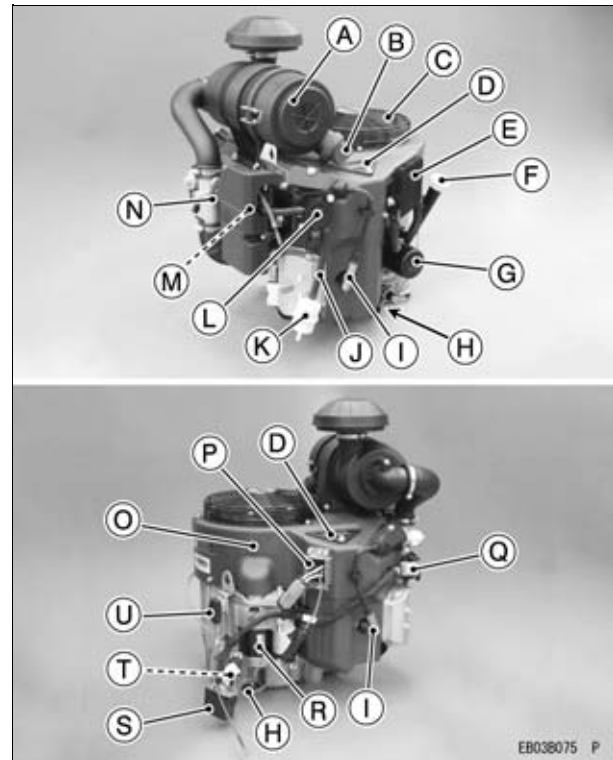


1. CHECK OIL LEVEL
2. CHECK & CLEAN AIR CLEANER
3. CLEAN FINS & SCREEN
4. CHANGE OIL & OIL FILTER

REFER TO OWNER'S MANUAL FOR FURTHER INFORMATION

EB02063B S

## Location of Parts



EB038075 P

- A. Air Cleaner
- B. Cap (Dust Ejector Valve)
- C. Guard/Air Intake Screen
- D. Cleanout Cover
- E. Oil Cooler
- F. Oil Gauge/Oil Filler
- G. Oil Filter
- H. Oil Drain Plug
- I. Spark Plug Cap/Spark Plug
- J. Fuel Tube
- K. Fuel Filter
- L. Fuel Pump (Pulse)
- M. Fuel Pump (Electric)
- N. Throttle Body/ECU
- O. Fan Housing
- P. Voltage Regulator
- Q. Diagnostic Connector
- R. Starter Motor
- S. Engine Main Harness Connector
- T. 10 A Fuse
- U. 40 A Fuse

---

## Engine Serial Number

---

The engine serial number is your only means of identifying your particular engine from others of the same model type.

This engine serial number is needed by an authorized Kawasaki engine dealer when ordering parts.



**A. Engine Serial Number**

## 12 GENERAL INFORMATION

### Tune-up Specifications

ITEM	Specifications
Ignition Timing	Unadjustable
Spark Plugs: Gap	NGK BPR4ES 0.75 mm (0.030 in.)
Low Idle Speed	1 550 r/min (rpm)
High Idle Speed	3 600 r/min (rpm)
Valve Clearance	IN 0.10 ~ 0.15 mm (0.004 ~ 0.006 in.) EX 0.10 ~ 0.15 mm (0.004 ~ 0.006 in.)
Other Specifications	No other adjustment needed

#### NOTE

○ High and low idle speeds may vary depending on the equipment on which the engine is used. Refer to the equipment specification.

### Battery Capacity

#### WARNING

Prevent sparks and/or electrical system damage by removing the negative (-) cable from the battery before attempting any repair or maintenance.

#### Battery Capacity Recommended

##### Minimum Recommended Battery Capacity

**12 V 550 CCA Class**

## Fuel

Use only clean, fresh, unleaded regular grade gasoline.

### NOTICE

**Do not mix oil with gasoline.**

### Octane Rating

The octane rating of a gasoline is a measure of its resistance to “knocking”. **Using a minimum of 87 octane by the antiknock index is recommended.** The antiknock index is posted on service station pumps in the U.S.A.

### NOTE

- If “knocking or “pinging” occurs, use a different brand of gasoline or higher octane rating.
- When not operating your kawasaki engine more than once per month, you can mix a fuel stabilizer with gasoline in the fuel tank. Fuel stabilizer additive could inhibit oxidation of fuel.

### Oxygenated Fuel

Oxygenates (either ethanol or MTBE) are added to the gasoline. If you use the oxygenates, be sure it is unleaded and meets the minimum octane rating requirement.

The followings are the EPA approved percentages of fuel oxygenates.

ETHANOL: (Ethyl or Grain Alcohol)

You may use gasoline containing up to 10% ethanol by volume.

MTBE: (Methyl Tertiary Butyl Ether)

You may use gasoline containing up to 15% MTBE by volume.

METHANOL: (Methyl or Wood Alcohol)

You may use gasoline containing up to 5% methanol by volume, as long as it also contains cosolvents and corrosion inhibitors to protect the fuel system. Gasoline containing more than 5% methanol by volume may cause starting and/or performance problems. It may also damage metal, rubber, and plastic parts of your fuel system.



### WARNING

**Gasoline is extremely flammable and can be explosive under certain conditions, creating the potential for serious burns. Turn the ignition switch off. Do not smoke. Make sure the area is well ventilated and free from any source of flame or sparks; this includes any appliance with a pilot light.**

- Place the engine on level surface before fueling.
- Remove the fuel tank cap.
- Slowly pour fuel into the tank through the fuel strainer.
- Close the tank cap securely.

# STARTING

## Start Engine

### **⚠ DANGER**

Exhaust gas contains carbon monoxide, a colorless, odorless poisonous gas. Inhaling carbon monoxide can cause serious brain injury or death. DO NOT run the engine in enclosed areas. Operate only in a well-ventilated area.

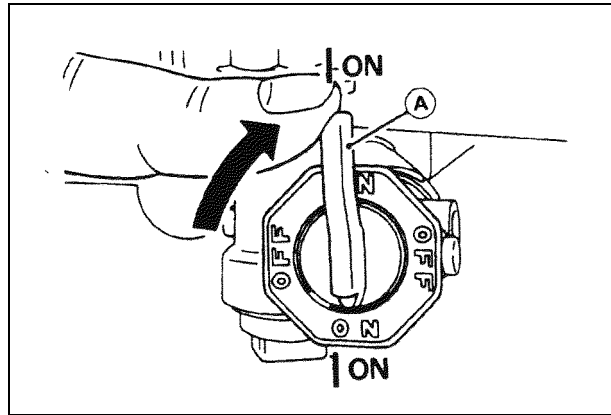
### **⚠ WARNING**

Engine exhaust may ignite combustible materials and cause a fire. Keep the area around the exhaust outlet clear. Locate the unit so that the exhaust outlet points toward an open area and is located at least one meter (3.3 feet) from any obstructions.

### **NOTE**

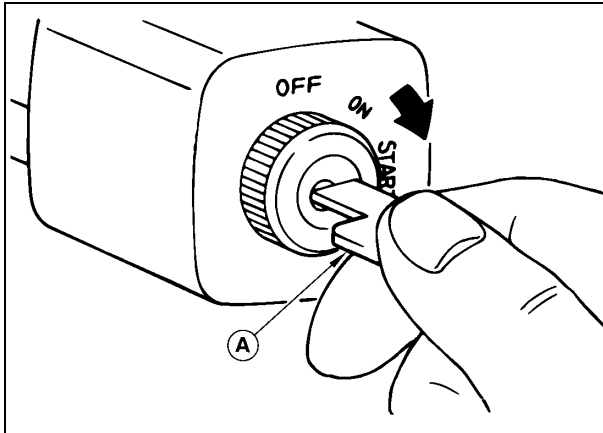
- Be aware of the following in order to start the engine easily in cold weather.
- Use proper oil for expected temperature (See Engine Oil section in the FUEL AND OIL RECOMMENDATIONS chapter).

- Use fresh gasoline.
- Protect the engine or the equipment from direct exposure to weather when not in operation.
- Before starting the engine, disconnect all possible external loads.
- Open the fuel valve on the equipment.
- Put the key into the ignition switch and turn to the “ON” or “RUN” position.
- Move the throttle lever on the equipment to its low speed or “SLOW” position.
- Turn the key to the “START” position on the ignition switch. Normally the engine will start within 3 seconds.



**A. Fuel Valve**





A. Engine Switch Key

### ***NOTICE***

Do not run the electric starter continuously for more than 5 seconds, otherwise the battery may discharge quickly. If the engine does not start right away, wait 15 seconds and try again.

### ***NOTICE***

Whenever you start engine, make sure warning light is not illuminated after engine starts. If warning light comes on, stop engine immediately and check oil level (if equipped).

# OPERATING

---

## Warming Up

---

To warm up the engine, run it for 3 to 5 minutes with the throttle lever in the “SLOW” speed position. Then move the throttle lever on the equipment to its “FAST” speed position before putting the equipment under load.

<b><i>NOTICE</i></b>
----------------------

<b>Allow engine to warm up sufficiently (3 to 5 minutes at idle) before applying a load. This will allow oil to reach all engine parts, and allow piston clearance to reach design specifications.</b>
--

<b><i>NOTICE</i></b>
----------------------

<b>While warming up the engine, make sure the warning light (oil pressure) on dash is not on. The warning light must not be illuminated during engine operation (if equipped).</b>
--

---

## Engine Inclination

---

This engine will operate continuously at angles up to 25° in any direction.

Refer to the operating instructions of the equipment this engine powers. Because of equipment design or application, there may be more stringent restrictions regarding the angle of operation.

<b><i>NOTICE</i></b>
----------------------

<b>Do not operate this engine continuously at angles exceeding 25° in any direction. Engine damage could result from insufficient lubrication.</b>
--

---

## **MIL (Malfunction Indicator Light)**

---

The equipment has a MIL to indicate malfunction of the EFI system.

When the ECU of the engine detects the EFI system trouble, MIL illuminates.

If the MIL illuminates, consult your authorized Kawasaki engine dealer or equally qualified service facility.

---

## **Reduced Power Mode (Engine speed reduced to low idle)**

---

When the ECU detects conditions of the engine as stated below, the ECU reduces the engine speed to low idle (Reduced Power Mode).

If the engine enters the reduced power mode, stop the engine as soon as safely possible and refer to the troubleshooting guide at the end of this book

Service an engine that has entered reduced power mode as soon as possible. Operating in reduced power mode for extended periods of time can cause engine failure.

### **Causes of Reduced Power Mode**

- Overheat of the engine (MIL on)
- Oil pressure is low (if the oil switch is equipped/MIL off, Oil pressure light on)
- Throttle valve control malfunction (internal ECU malfunction/MIL on)
- Throttle position sensor malfunction (internal Throttle body malfunction/MIL on)
- Hand throttle input sensor malfunction (MIL on)

# STOPPING

## Stopping the Engine

### Ordinary Stop

- Move throttle lever to “SLOW” position.
- Keep running at the “SLOW” speed for about one minute.

### ***NOTICE***

**Engine damage can occur from run-on or after-burning if engine is stopped suddenly from high speed loaded operation. Reduce engine speed to “SLOW” for one minute before shutting engine off.**

- Turn the engine switch or the switch key to “OFF” position.

### Emergency Stop

- Immediately turn the engine switch or the switch key to “OFF” position.
- Close the fuel valve on the equipment.



### **WARNING**

**Leaving the equipment with the key hanging in the ignition can allow operation by someone who does not know how to operate it. It may cause serious accident with injury. Always remove the key from unattended equipment.**

# ADJUSTMENT

---

## Engine Speed Adjustment

---

### NOTE

- *Do not tamper with the EFI system setting to increase the engine speed. Every EFI system is adjusted at the factory.*
- *If any adjustment is necessary, see an authorized Kawasaki engine dealer or equally qualified service facility to perform the adjustment.*

# MAINTENANCE

**Maintenance, replacement, or repair of the emission control devices and systems may be performed by any nonroad engine repair establishment or individual.**

**Periodic Maintenance Chart**

 **WARNING**

**Prevent accidental starting during engine service by removing the spark plug caps.**

**NOTE**

*○ The service intervals can be used as a guide. Service more frequently as necessary by operating conditions.*

MAINTENANCE	INTERVAL						
	Daily	Every 50 hr.	Every 100 hr.	Every 200 hr.	Every 250 hr.	Every 300 hr.	Every 500 hr.
Check and add engine oil.	●						
Check for loose or lost nuts and screws.	●						
Check for fuel and oil leakage.	●						
Check battery electrolyte level.	●						
◆ Check or clean air intake screen.	●						
Check cleanout cover.		●					
◆ Clean dust and dirt from cylinder and cylinder head fins.			●				
Tighten nuts and screws.			●				
Change engine oil.	Every 100 hours or 1 year whichever comes first						
◆ Check and clean oil cooler fins.			●				
Clean and regap spark plugs.			●				
Change oil filter.				●			
◆ Replace air cleaner primary element.					●		

## 22 MAINTENANCE

MAINTENANCE	INTERVAL						
	Daily	Every 50 hr.	Every 100 hr.	Every 200 hr.	Every 250 hr.	Every 300 hr.	Every 500 hr.
◆ Check air cleaner secondary element.					●		
◇ Clean combustion chamber.						●	
◇ Check and adjust valve clearance.						●	
◇ Clean and lap valve seating surface.						●	
◆ Replace air cleaner secondary element.							●

◆ : Service more frequently under dusty or dirty conditions.

◇ : Service to be performed by an authorized Kawasaki engine dealer or equally qualified service facility.



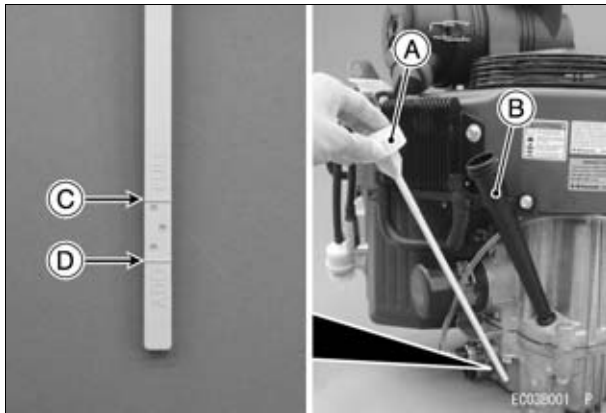
---

## **Oil Level Check**

---

Check the engine oil daily before starting the engine otherwise shortage of the engine oil may cause serious damage to the engine such as seizure.

- Place the engine on level surface. Clean area around the oil gauge before removing it.
- Remove the oil gauge and wipe it with a clean cloth.
- Insert the oil gauge into tube **WITHOUT SCREWING IT IN.**
- Remove the oil gauge to check the oil level. The level should be between “ADD” and “FULL” marks.



- A. Oil Gauge**
- B. Tube**
- C. “FULL” Mark**
- D. “ADD” Mark**

- If the oil level is too high, remove the excess oil through the oil filler opening using a syringe or some other suitable device.
- If the oil level is too low, add oil to reach the correct level. Use the same type and brand of oil that is already in the engine.
- Install and tighten the oil gauge.

## 24 MAINTENANCE

### Oil Cooler Service

Check and clean oil cooler fins every 100 hours.

- Clean dirt off the outside fins with a brush or compressed air.



A. Oil Cooler Fins

### Oil Change

Change oil every 100 hours or 1 year whichever comes first.

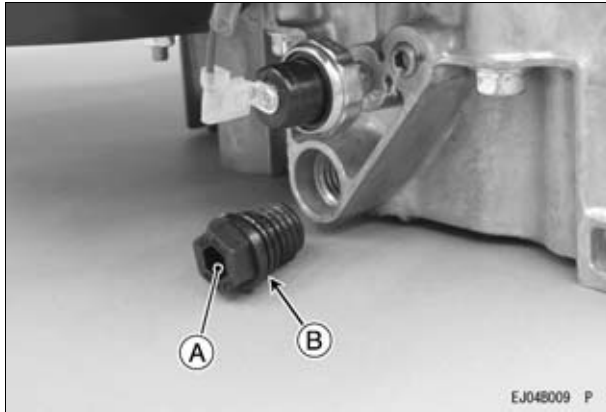
#### NOTE

○ *If a torque wrench is not available, this item should be serviced by an authorized Kawasaki engine dealer or equally qualified service facility.*

- Run the engine to warm oil.
- Place the engine on level surface.
- Stop the engine.
- Remove the oil drain plug and drain the oil into a suitable container while engine is warm.

#### **WARNING**

**Hot engine oil can cause severe burns.  
Allow engine temperature to drop from hot to warm level before draining and handling oil.**



**A. Oil Drain Plug**  
**B. O-ring**

- Replace the O-ring with a new one.
- Apply grease to the O-ring.
- Tighten the oil drain plug.

**Tightening Torque**

**Oil Drain Plug:**

**7.35 N·m (0.749 kgf·m, 65 in·lb)**

- Fill with good quality engine oil specified in the table.
- Check the oil level (See Oil Level Check section).

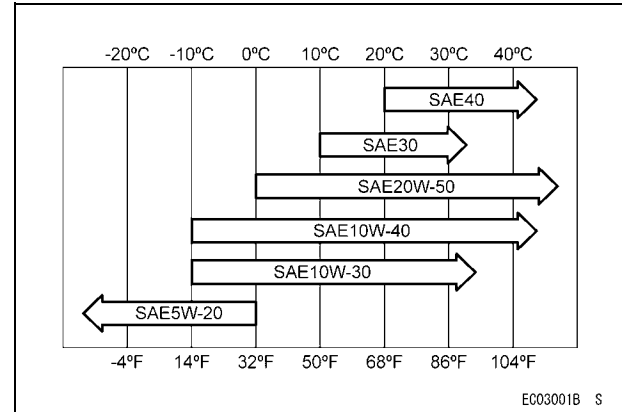
**Recommended Engine Oil**

Type:

API SJ or SL

**Engine Oil Viscosity**

Choose the viscosity according to the temperature as follows:



**NOTE**

○ Although 10W-40 engine oil is the recommended oil for most conditions, the oil viscosity may need to be changed to accommodate atmospheric conditions. Using 20W-50 oil in higher ambient temperatures may reduce oil consumption.

**Engine Oil Capacity**

FX850V EFI	2.1 L (2.2 US·qt) [when oil filter is not removed]
	2.3 L (2.4 US·qt) [when oil filter is removed]



### WARNING

Engine oil is a toxic substance. Dispose of used oil properly. Contact your local authorities for approved disposal methods or possible recycling.

### Oil Filter Change

Change the oil filter every 200 hours.

- Drain the engine oil into a suitable container (See Oil Change section).

### NOTICE

**Before removing the oil filter, place suitable pan under filter connection.**

- Rotate the oil filter counterclockwise to remove it.
- Replace the oil filter with a new one.
- Coat a film of clean engine oil on the seal of new filter.
- Install new filter rotating it clockwise until the seal contacts the mounting surface. Then rotate the filter 2/3 turn more by hand.
- Install the oil drain plug and refill with fresh oil (See Oil Change section).
- Run the engine for about 3 minutes, stop the engine.
- Check any oil leakage around the filter and oil level (See Oil Level Check section).

## Air Cleaner Service

### NOTICE

**Do not run the engine with the air cleaner removed.**

### Air Cleaner

These air cleaner elements are not recommended to be cleaned. Replace each air cleaner element with a new one at the maintenance time as shown in the maintenance chart.

### NOTICE

**To prevent excessive engine wear, do not run the engine with the air cleaner removed.**

### NOTICE

**Do not wash air cleaner elements.  
Do not oil air cleaner elements.  
Do not use pressurized air to clean air cleaner elements.**

### NOTE

○ *Operating in dusty or dirty condition may require more frequent maintenance.*

### Primary Element

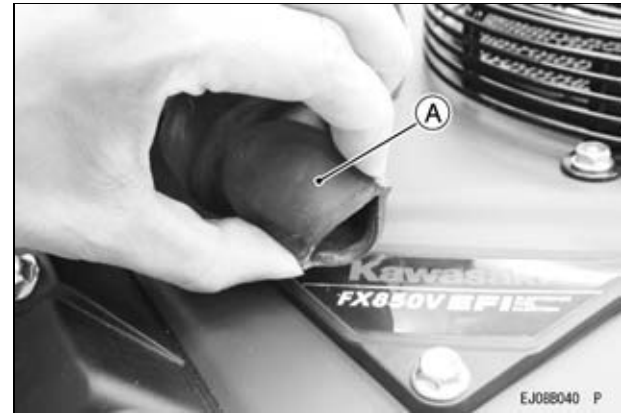
Replace the primary element every 250 hrs.

### Secondary Element

- Replace the secondary element with a new one, if the secondary element is dirty when the primary element is checked.
- Replace the secondary element with a new one every 500 hrs.

### Cap (Dust Ejector Valve)

Push and open the cap on the case of the air cleaner body to expel dust and/or water accumulated inside.

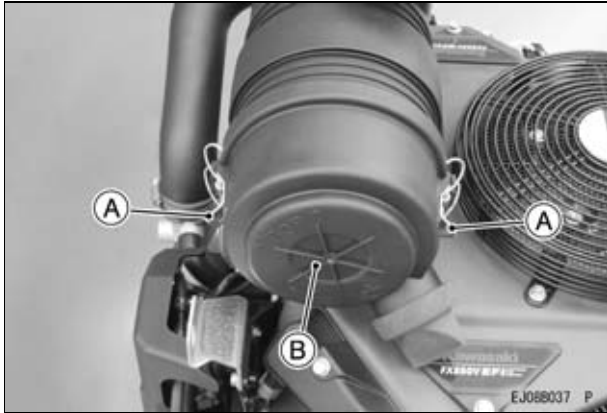


**A. Cap (Dust Ejector Valve)**

## 28 MAINTENANCE

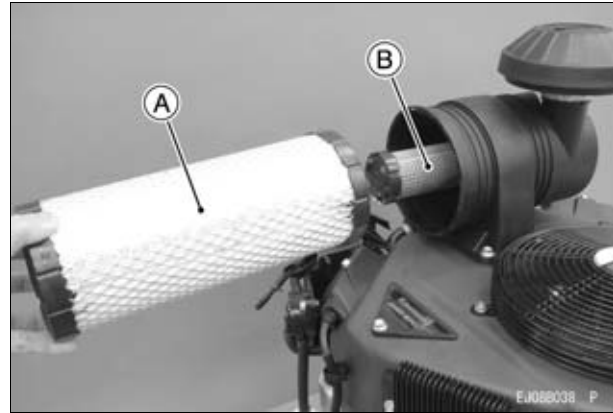
### Replace the air cleaner element

- Unfasten the retaining clamps and remove the case from the air cleaner body.



- A. Retaining Clamps**
- B. Case**

- Remove the primary element and the secondary element from the air cleaner body by pulling them out.



- A. Primary Element**
- B. Secondary Element**

- Install the new air cleaner elements into the air cleaner body.
- Reinstall the case then securely fasten the retaining clamps.

## Fuel Filter and Fuel Pump Service

 **WARNING**

Many solvents are highly flammable and may cause serious burns. Improper use of solvents can result in fire or an explosion. Do not use gasoline or low flash-point solvents to clean the fuel filter and/or the fuel pump. Clean only in a well-ventilated area away from sources of sparks or flame, including any appliances with a pilot light.

- The fuel filter can not be disassembled. If the fuel filter gets clogged, replace it with a new one.
- The fuel pumps can not be disassembled. If the fuel pump fails, replace it with a new one.

## Spark Plug Service

 **WARNING**

Engines can become extremely hot during normal operation. Hot engine components can cause severe burns. Stop the engine and allow it to cool before checking spark plugs.

Clean or replace the spark plugs and reset the gap every 100 hours of operation.

**NOTE**

- *If a torque wrench is not available, this item should be serviced by an authorized Kawasaki engine dealer or equally qualified service facility.*
- Disconnect the spark plug caps from the spark plugs and remove the spark plugs.
- Clean the electrodes by scraping or using a non-metal brush (nylon etc.) to remove carbon deposits.
- Inspect for cracked porcelain, other wear or damage. Replace the spark plug with a new one if necessary.
- Check the spark plug gap and reset it if necessary. To change the gap, bend only the side electrode, using a spark plug tool.

**Spark Plug Gap**

<b>NGK BPR4ES</b>	<b>0.75 mm (0.030 in.)</b>
-------------------	----------------------------

- Tighten the spark plugs.

## 30 MAINTENANCE

### Tightening Torque

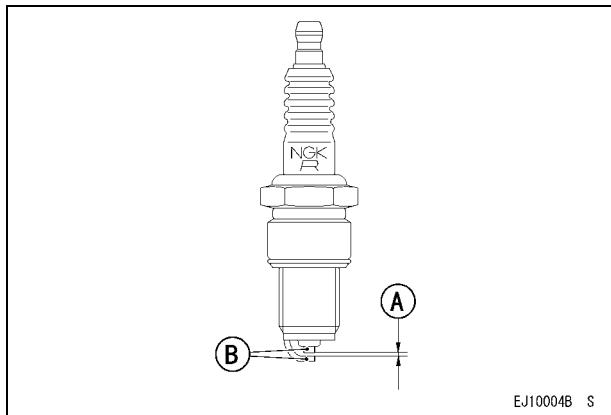
#### Spark Plugs:

**22.5 N·m (2.29 kgf·m, 16.6 ft·lb)**

- Fit the spark plug caps on the spark plugs securely.
- Pull up the spark plug caps lightly to make sure of the installation of the spark plug caps.

#### RECOMMENDED SPARK PLUG

NGK .....BPR4ES



- A. Spark Plug Gap
- B. Electrodes

### Fuse Service

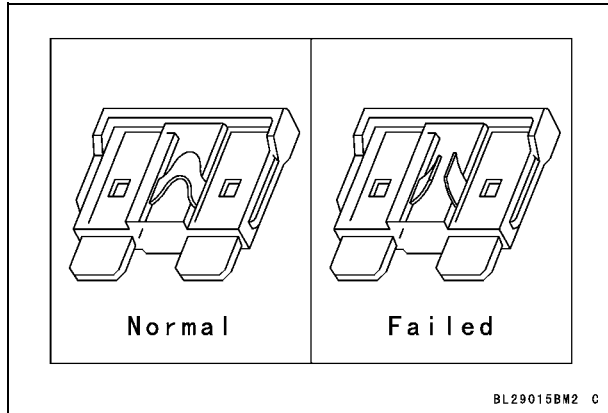
Fuses are arranged in the fuse case located on the side of the engine. If a fuse fails during operation, inspect the electrical system to determine the cause, and then replace it with a new fuse of proper amperage.

If the fuse fails repeatedly, there is something wrong with the electrical system. Have the engine checked by an authorized Kawasaki engine dealer or equally qualified service facility.

#### **WARNING**

**Substituting fuses can cause wiring to overheat, catch fire and/or fail. Do not use any substitute for the standard fuse. Replace the blown fuse with a new one of the correct capacity.**





## Cooling System Cleaning

### NOTICE

Do not run engine before all cooling system parts are reinstalled to keep cooling as intended.

### Intake Screen

Before each operation, check that the air intake screen is free from grass and debris. Clean the screen if necessary.

### Cleanout Cover

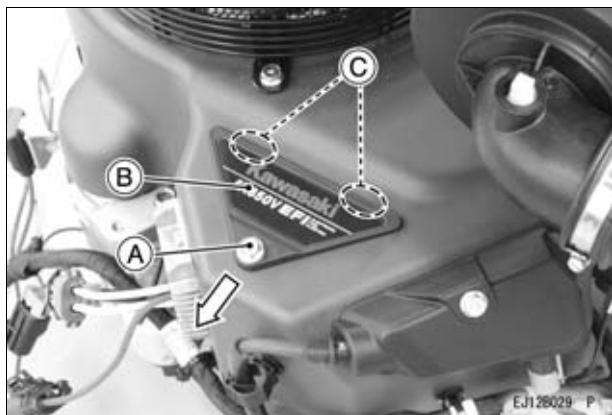
Every 50 hours of operation, check dust or debris inside fan housing. To check inside, remove the cleanout cover and see inside from the inspection ports of fan housing. Clean or blow the dust if needed. If it is difficult to clean the dust with the ports, remove the fan housing and clean the dirt completely.

### NOTE

○ *If a torque wrench is not available, this item should be serviced by an authorized Kawasaki engine dealer or equally qualified service facility.*

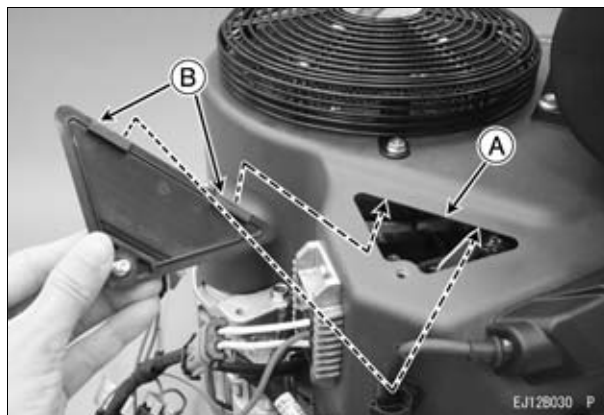
- Loosen the cleanout cover bolt.
- Pull the cleanout cover outside to clear the tabs.
- Remove the cleanout cover.

## 32 MAINTENANCE



- A. Cleanout Cover Bolt
- B. Cleanout Cover
- C. Tabs

- Check the inside from the inspection ports of fan housing and clean if necessary.
- Insert the tabs under the fan housing.



- A. Inspection Port
- B. Tabs

- Tighten the cleanout cover bolt.

### Tightening Torque

#### Cleanout Cover Bolt:

**6.85 N·m (0.699 kgf·m, 61 in·lb)**

### Cylinder and Cylinder Head Fins

Every 100 hours of operation, check and clean the cooling fins and the inside of engine shrouds to remove grass, chaff or dirt clogging the cooling system and causing overheating.

### NOTE

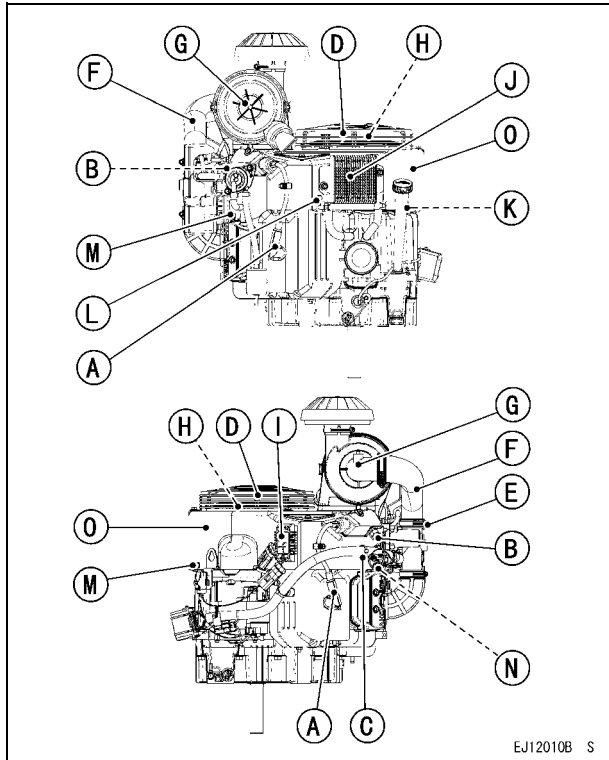
- *If a torque wrench is not available, this item should be serviced by an authorized Kawasaki engine dealer or equally qualified service facility.*

- Disconnect the spark plug caps [A] and ignition coil connectors [B].
- Open the clamp [C].
- Remove the guard bolts and guard [D].
- Loosen the clamp [E] and disconnect the tube [F].
- Remove the air cleaner bolts and air cleaner [G].

### NOTE

- *Cover the intake port of the throttle body to keep dust out of the opening.*
- Remove the air intake screen bolts and air intake screen [H].
- Remove the voltage regulator bolts and voltage regulator [I].
- Remove the oil cooler bolts, washers, oil cooler [J] and bracket.
- Loosen the oil filler mounting bolt [K].
- Loosen and/or remove the fan housing bolts [L] [M] [N].
- Remove the fan housing [O].

## 34 MAINTENANCE



- A. Spark Plug Cap
- B. Ignition Coil Connector
- C. Clamp
- D. Guard
- E. Clamp
- F. Tube
- G. Air Cleaner
- H. Air Intake Screen
- I. Voltage Regulator
- J. Oil Cooler
- K. Oil Filler Mounting Bolt (Loosen)
- L. Fan Housing Bolt (Loosen)
- M. Fan Housing Bolt (L = 12 mm, Remove)
- N. Fan Housing Bolt (L = 16 mm, Remove)
- O. Fan Housing

- Clean the cylinder and cylinder head fins.
- Install the removed parts.

**Torque Table**

Fastener	Size	Length	Qty	Torque		
				N·m	kgf·m	in·lb
Fan Housing Bolt	M6	12 mm	3	6.85	0.699	61
		16 mm	1			
Oil Filler Mounting Bolt	M6	16 mm	1	6.85	0.699	61
Oil Cooler Bolt	M6	16 mm	2	6.85	0.699	61
Voltage Regulator Bolt	–	12 mm	2	3.0	0.31	27
Air Intake Screen Bolt	M6	12 mm	4	6.85	0.699	61
Air Cleaner Bolt	M6	22 mm	4	9.75	0.994	86
Guard Bolt	M6	12 mm	3	6.85	0.699	61

# STORAGE

## Engine Storage Procedure

When not operating your Kawasaki engine more than 30 days, add fuel stabilizer to fuel tank and run engine for 5 minutes then drain the fuel tank.

After draining the fuel tank, run the engine at low idle until engine stalls.

### WARNING

**Gasoline is extremely flammable and can be explosive under certain conditions. Drain fuel before storing the equipment for extended periods. Drain gasoline in a well-ventilated area away from any source of flame or sparks, including any appliances with a pilot light. Store gasoline in an approved container in safe location.**

### WARNING

**Gasoline is a toxic substance. Dispose of gasoline properly. Contact your local authorities for approved disposal methods.**

- Remove the spark plugs and pour approx 1 ~ 2 mL (1/2 teaspoon) of engine oil through the spark plug holes then screw the spark plugs in after cranking the engine a few times. Slowly crank the

engine until you feel the compression then leave it there. This traps the air inside the cylinders and prevents rust inside the engine.

- Wipe the body with oily cloth.
- Wrap the engine with plastic sheeting and store it in a dry place.
- Change engine oil for next use after period of storage (See Oil Change section in the MAINTENANCE chapter).



A. Spark Plug Hole

# TROUBLESHOOTING GUIDE

If the engine malfunctions, carefully examine the symptoms and the operating conditions, and use the table below as a guide to troubleshooting.

Symptom		Probable Cause	Remedy
Engine won't start or output is low	Insufficient compression	Loose spark plugs	Tighten properly
		Faulty pistons, cylinders, piston rings, or head gaskets	◇
		Faulty valves	
		Loose cylinder head bolts	
	No fuel to combustion chamber	No fuel in fuel tank	Fill fuel tank
		Fuel valve is not in "ON" position.	Open fuel valve lever.
		Clogged fuel filter or tube	Change fuel filter or fuel tube
		Clogged air vent in tank cap	Clean fuel tank cap
		Faulty fuel system	◇
	Spark plugs fouled by fuel	Clogged air cleaner	Replace
		Incorrect grade/type of fuel	Change fuel
		Water in fuel	
		Over-rich fuel/air mixture	◇
		Faulty fuel system	

## 38 TROUBLESHOOTING GUIDE

Symptom		Probable Cause	Remedy
	No spark or weak spark	Faulty spark plugs	Replace spark plugs
		Engine switch is in "OFF" position	Turn engine switch to "START" position (See <b>M</b> )
		Faulty ignition coils	◇
Low output	Engine overheats	Clogged air cleaner	Replace
		Air intake screen or cooling air path clogged with dirt	Clean
		Insufficient engine oil	Replenish or change oil
		Carbon build-up in combustion chamber	◇
	Engine speed won't increase	Faulty E-governor.	◇

◇: Service to be performed by an authorized Kawasaki engine dealer or equally qualified service facility.

**M**: For Control Panel Switch Type, move the throttle lever on the equipment away from its slow speed end to turn the engine switch to "START" position.



**Reduced Power mode**

Symptom		Probable Cause	Remedy
Engine speed reduced to low idle.	Overheat of the engine (MIL on)	Debris or dust is inside shroud	Clean (refer to Cooling System Cleaning section in the maintenance chapter)
		Temperature sensor or circuit malfunction	◇
	Low oil pressure (If oil switch is equipped) (MIL off/Oil lamp on)	Low oil level	Add oil (refer to Oil Level Check section in the Maintenance chapter)
		Oil switch or circuit malfunction	◇
		Lubrication system malfunction	◇
	Hand throttle input sensor malfunction (MIL on)	Wiring issue or sensor malfunction	◇
	Internal ECU/throttle body malfunction (MIL on)	Throttle valve control malfunction	◇
		Throttle position sensor malfunction	◇

◇: Service to be performed by an authorized Kawasaki engine dealer or equally qualified service facility.

# **ENVIRONMENTAL PROTECTION**

To help preserve the environment, properly discard used batteries, oils and fluids, or other engine components.

Consult an authorized Kawasaki engine dealer or equally qualified service facility or local environmental waste agency for their proper disposal procedure. This also applies to disposal of the entire engine at the end of its life.

# SPECIFICATIONS

	FX850V EFI
Type	Air- cooled, 4-stroke OHV 4 Valves, V-twin cylinder, gasoline engine
Bore x Stroke	84.5 × 76 mm (3.33 × 2.99 in.)
Displacement	852 mL (52.0 cu.in.)
Ignition System	Electronic ignition
Direction of rotation	Counterclockwise facing the PTO Shaft
Starting system	Electronic starter

## NOTE

○ *Specifications are subject to change without notice.*



**ESPAÑOL**

# **Motor de propósito general Manual del propietario**

Instrucciones originales



# PRECAUCIONES DE SEGURIDAD

Siempre que vea los símbolos que se muestran a continuación, preste atención a las instrucciones. Siga siempre prácticas seguras de funcionamiento y mantenimiento.

## PELIGRO

**PELIGRO** indica una situación peligrosa que, de no evitarse, provocará daños personales graves o un accidente mortal.

## ADVERTENCIA

**ADVERTENCIA** indica una situación peligrosa que, de no evitarse, puede provocar daños personales graves o un accidente mortal.

## **AVISO**

Los **AVISOS** se utilizan para aquellas prácticas en las que no hay riesgo de daños personales.

## **NOTA**

○ *NOTA* indica que contiene información de ayuda o guía para la operación o el mantenimiento de la motocicleta.

# LÉAME PRIMERO

Por su seguridad, asegúrese de leer y comprender este manual del propietario antes de utilizar este MOTOR.

## PELIGRO

Los gases del tubo de escape contienen monóxido de carbono, un gas tóxico, incoloro e inodoro. La inhalación de monóxido de carbono puede provocar lesiones cerebrales graves o la muerte. **NO** ponga en marcha el motor en espacios cerrados. Póngalo en marcha únicamente en lugares bien ventilados. La gasolina es muy inflamable y puede explotar en determinadas condiciones, con el consiguiente riesgo de quemaduras graves. Al realizar el repostaje, revisión del sistema de combustible, vaciado de gasolina y/o ajuste del carburador: Antes de repostar, pare el motor y deje que se enfríe. **NO** fume. Asegúrese de que el área esté bien ventilada y que no haya ninguna fuente de llamas o chispas, incluidos aparatos con llama piloto. **NO** rellene el depósito de forma que el nivel de combustible sobrepase la boca de llenado o la superficie de nivel del indicador de nivel. Si se sobrepasa, el calor puede hacer que el combustible salga y desborde por los orificios de ventilación de la tapa del depósito. Limpie inmediatamente la gasolina que se haya derramado. Los motores pueden calentarse considerablemente durante el normal funcionamiento. Para evitar el riesgo de incendio: Separe el motor al menos 1 m (3,3 pies) de cualquier edificio, obstrucción u otro tipo de objeto inflamable. **NO** coloque objetos inflamables cerca del motor. **NO** deje expuesto el tubo de escape del motor a materiales combustibles. **NO** utilice el motor en ningún terreno no construido en el que haya árboles, maleza o pastos, a menos que haya instalado un apagachispas en el silenciador. Para evitar el riesgo de descarga eléctrica, **NO** toque las bujías de encendido, sus capuchones o cables cuando el motor esté funcionando. Para evitar quemaduras graves, **NO** toque el motor o el silenciador cuando estén calientes. El motor se calienta con el uso. Antes de reparar o extraer piezas, pare el motor y deje que se enfríe. **NO** ponga las manos ni los pies cerca de las piezas que se mueven o giran. Coloque una cubierta de protección sobre la polea, la correa trapezoidal o el acoplamiento. **NO** utilice el motor a velocidades excesivas. ya que se podrían causar heridas graves. Retire siempre los capuchones de las bujías de encendido al realizar el mantenimiento del motor para evitar que éste se encienda por accidente.



Asegúrese de leer y comprender las etiquetas de advertencia situadas en el motor. Si falta alguna etiqueta, está rota o desgastada, obtenga una de recambio en un distribuidor autorizado de motores Kawasaki y colóquela en el lugar correcto.

# INFORMACIÓN SOBRE CONTROL DE EMISIONES

## Información sobre el combustible

ESTE MOTOR ESTÁ CERTIFICADO PARA FUNCIONAR ÚNICAMENTE CON GASOLINA NORMAL SIN PLOMO. Se recomienda el uso de un mínimo de 87 octanos del índice antidetonante. El índice antidetonante se anuncia en los surtidores de las estaciones de servicio de Estados Unidos.

## Información sobre control de emisiones

A fin de proteger el medio ambiente en el que todos vivimos, Kawasaki ha incorporado un sistema de control de emisiones de escape que cumple todas las normas de la Agencia Estadounidense para la Protección Medioambiental (EPA). Asimismo, dependiendo de la fecha de fabricación del motor, puede tener asignado un periodo de durabilidad de las emisiones.

\*Consulte a continuación el periodo de durabilidad de las emisiones del motor que puede aplicarse a su motor.

## Sistema de control de emisiones de escape

El sistema de control de emisiones de escape aplicado a este motor consta de un sistema de Inyección Electrónica de Combustible (EFI) que dispone de características óptimas de reglaje del encendido. La calibración del sistema EFI permite proporcionar características específicas de mezcla pobre de aire/combustible y un ahorro óptimo de combustible con un filtro de aire y sistema de escape adecuados.

Con el propósito de eliminar los gases de combustión, también se incorpora un sistema de control de emisiones del cárter sellado. Los gases de combustión se dirigen hacia una cámara con respiradero a través del cárter y, desde allí, al filtro de aire.

## Periodo de conformidad de las emisiones del motor

### Motores mayores o iguales que 225 cc

Periodo de durabilidad: 1.000 horas (Categoría A)

★Si su motor tiene asignado un periodo de durabilidad de las emisiones, figurará en la etiqueta de certificación fijada en el motor (INFORMACIÓN IMPORTANTE DEL MOTOR).

## **Información de ajuste del rendimiento a gran altitud**

Los modelos de motor con inyección de combustible no requieren ajuste del rendimiento a gran altitud.

## **Mantenimiento y garantía**

Resulta necesario realizar un mantenimiento adecuado para asegurar que el motor mantenga niveles bajos de emisiones. Este Manual del propietario incluye las recomendaciones de mantenimiento para su motor. Los elementos identificados por el Gráfico de mantenimiento periódico resultan necesarios para garantizar el cumplimiento de las normas aplicables.

El propietario del motor es responsable de garantizar la realización del mantenimiento recomendado de conformidad con las instrucciones indicadas en este Manual del propietario, y asumirá el coste correspondiente.

La Garantía limitada del sistema de control de emisiones de Kawasaki requiere la devolución del motor a un distribuidor autorizado de motores Kawasaki para realizar las medidas de subsanación necesarias bajo la garantía. Lea la garantía atentamente y mantenga su validez mediante el cumplimiento de las obligaciones estipuladas del propietario.

## **Alteración prohibida con el sistema de control de emisiones**

La legislación federal prohíben los siguientes actos o la inducción a realizarlos: (1) la retirada o desactivación por parte de cualquier persona, excepto que se realice por motivos de mantenimiento, reparación o sustitución, de cualquier dispositivo o elemento de diseño incorporado en cualquier motor nuevo para fines de control de emisiones antes de su venta o entrega al comprador final o mientras se encuentre en uso, o (2) el uso del motor después de que cualquier persona haya retirado o desactivado dicho dispositivo o elemento de diseño.

La manipulación de las siguientes piezas originales relacionadas con la emisión se encuentra entre los actos considerados como manipulación indebida.

- Sistema de inyección de combustible y sus piezas internas
- Bujía de encendido
- Sistema de encendido electrónico
- Elemento del filtro de combustible
- Elemento del filtro de aire
- Cáster
- Cabezas de cilindros
- Cámara con respiradero y piezas internas
- Conducto y tubo de admisión

# PRÓLOGO

Gracias por la compra de este motor Kawasaki.

**Lea atentamente este manual antes de estrenar su nuevo motor** a fin de familiarizarse bien con el funcionamiento correcto y el control del motor, sus características, capacidades y limitaciones.

Asimismo, lea también el manual de los equipos incluidos en este motor.

Para garantizar una vida larga y sin problemas de su motor, siga las instrucciones sobre cuidados y mantenimiento que se describen en este manual. Tenga siempre este manual a mano para consultarlo cuando sea necesario. Este manual debe considerarse una parte permanente del motor y deberá entregarlo con el motor cuando lo venda.

Tenga en cuenta que las fotografías e ilustraciones de este manual se basan en el modelo FX850V EFI como ejemplo habitual entre otros modelos similares.

Todos los derechos reservados. Ninguna parte de este documento puede ser reproducida sin el previo consentimiento por escrito de Kawasaki.

Toda la información contenida en esta publicación está basada en la información más reciente que está disponible en el momento de la publicación. No obstante, pueden existir diferencias leves entre el producto real y las ilustraciones y el texto del manual.

Todos los productos están sujetos a cambios sin previo aviso u obligación.

**KAWASAKI HEAVY INDUSTRIES, LTD.**  
**Motorcycle & Engine Company**

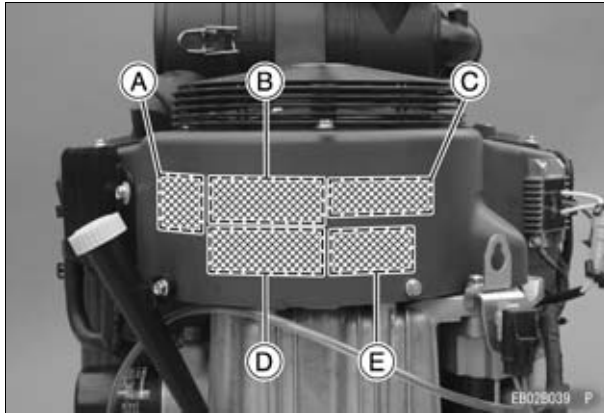


# ÍNDICE

<b>INFORMACIÓN GENERAL</b> .....	11	Elemento secundario .....	30
Ubicación de las etiquetas relacionadas con la seguridad .....	11	Tapa (válvula del eyector de polvo) .....	30
Ubicación de las piezas .....	13	Reemplace el elemento del filtro de aire .....	31
Número de serie del motor .....	14	Mantenimiento del filtro y la bomba de combustible .....	32
Especificaciones de puesta a punto .....	14	Mantenimiento de la bujía de encendido .....	32
Capacidad de la batería .....	15	Mantenimiento de los fusibles .....	33
Combustible .....	15	Limpieza del sistema de refrigeración .....	34
<b>ARRANQUE</b> .....	17	<b>ALMACENAMIENTO</b> .....	40
Puesta en marcha del motor .....	17	Procedimiento de almacenamiento del motor ..	40
<b>FUNCIONAMIENTO</b> .....	19	<b>SOLUCIÓN DE AVERÍAS</b> .....	42
Calentamiento .....	19	<b>PROTECCIÓN MEDIOAMBIENTAL</b> .....	46
Inclinación del motor .....	19	<b>ESPECIFICACIONES</b> .....	47
MIL (Luz indicadora de mal funcionamiento) ...	20		
Modo de potencia reducida (velocidad del motor reducida al ralentí bajo) .....	20		
<b>PARADA</b> .....	21		
Parada del motor .....	21		
Parada normal .....	21		
Parada de emergencia .....	21		
<b>AJUSTE</b> .....	22		
Ajuste de la velocidad del motor .....	22		
<b>MANTENIMIENTO</b> .....	23		
Tabla de mantenimiento periódico .....	24		
Comprobación del nivel de aceite .....	26		
Mantenimiento del enfriador de aceite .....	27		
Cambio de aceite .....	27		
Cambio del filtro de aceite .....	29		
Mantenimiento del filtro de aire .....	30		
Filtro de aire .....	30		
Elemento primario .....	30		

# INFORMACIÓN GENERAL

## Ubicación de las etiquetas relacionadas con la seguridad



- A. Etiqueta de advertencia
- B. Etiqueta de emisiones (Excepto California)
- C. Mantenimiento del motor
- D. Etiqueta de emisiones
- E. Etiqueta del producto (Número de serie del motor)

A)

Inglés



↓ Traducción al español



## 12 INFORMACIÓN GENERAL

B)

Inglés

THIS ENGINE DOES NOT COMPLY WITH CALIFORNIA OFF-ROAD OR ON-HIGHWAY EMISSION REQUIREMENTS. SALE OR INSTALLATION OF THIS ENGINE FOR ANY PURPOSE OTHER THAN AS A REPLACEMENT ENGINE IN AN OFF-ROAD VEHICLE OR PIECE OF OFF-ROAD EQUIPMENT WHOSE ORIGINAL ENGINE WAS NOT CERTIFIED, IS A VIOLATION OF CALIFORNIA LAW SUBJECT TO CIVIL PENALTY.

 **Kawasaki** KAWASAKI MOTORS MANUFACTURING CORP., U. S. A.

↓ Traducción  
al español


ESTE MOTOR NO CUMPLE CON LAS NORMAS DE EMISIONES TODOTERRENO (OFF-ROAD) O EN LA CARRETERA DE CALIFORNIA. LA VENTA O LA INSTALACION DE ESTE MOTOR PARA CUALQUIER PROPOSITO QUE NO SEA COMO MOTOR DE REEMPLAZO EN UN VEHICULO TODOTERRENO (OFF-ROAD) O COMO PARTE DE UN EQUIPO TODOTERRENO (OFF-ROAD) CUYO MOTOR ORIGINAL NO HABIA SIDO CERTIFICADO, CONSTITUYE UNA VIOLACION A LA LEY DE CALIFORNIA Y ESTARA SUJETO A SANCIONES CIVILES.

 **Kawasaki** KAWASAKI MOTORS MANUFACTURING CORP. U.S.A.

C)

Inglés

**ENGINE MAINTENANCE**



1. CHECK OIL LEVEL
2. CHECK & CLEAN AIR CLEANER
3. CLEAN FINS & SCREEN
4. CHANGE OIL & OIL FILTER

REFER TO OWNER'S MANUAL FOR FURTHER INFORMATION

↓ Traducción  
al español

**MANTENIMIENTO DEL MOTOR**

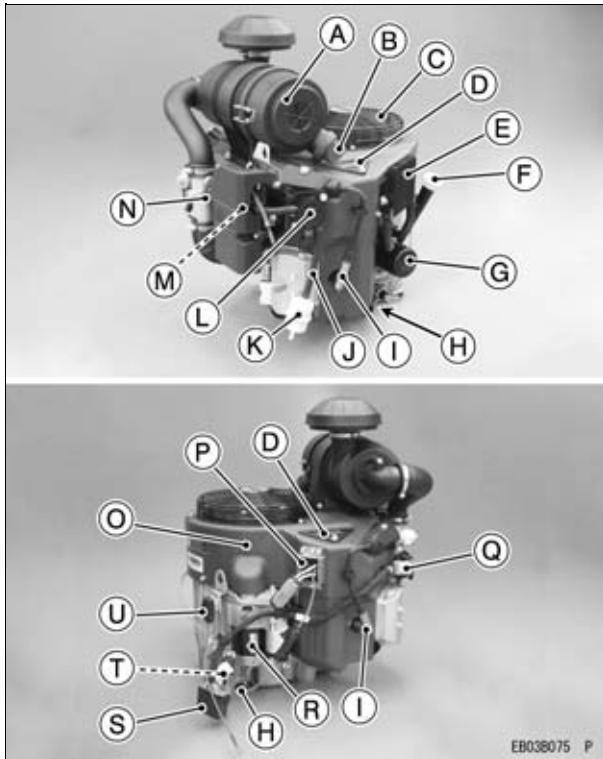


1. REVISAR EL NIVEL DE ACEITE
2. REVISAR Y LIMPIAR EL FILTRO DE AIRE
3. LIMPIAR LAS ALETAS Y LA REJILLA
4. CAMBIAR EL ACEITE Y EL FILTRO DE ACEITE

PARA OBTENER MÁS INFORMACIÓN, CONSULTAR EL MANUAL DEL PROPIETARIO.



## Ubicación de las piezas



- A. Filtro de aire
- B. Tapa (válvula del eyector de polvo)
- C. Protector/rejilla de entrada de aire
- D. Cubierta para limpieza
- E. Enfriador de aceite
- F. Indicador de nivel de aceite/llenado de aceite
- G. Filtro de aceite
- H. Tapón de drenaje de aceite
- I. Tapa de la bujía/bujía
- J. Tubo de combustible
- K. Filtro de combustible
- L. Bomba de combustible (pulso)
- M. Bomba de combustible (eléctrico)
- N. Cuerpo del acelerador/ECU
- O. Carcasa del ventilador
- P. Regulador de voltaje
- Q. Conector de diagnóstico
- R. Motor de arranque
- S. Conector del mazo de cables principal del motor
- T. Fusible de 10 A
- U. Fusible de 40 A

## 14 INFORMACIÓN GENERAL

### Número de serie del motor

El número de serie del motor es el único medio para identificar específicamente su motor con respecto de otros del mismo tipo de modelo.

Necesitará el número de serie del motor cuando realice un pedido de piezas al distribuidor autorizado de motores Kawasaki.



A. Número de serie del motor

### Especificaciones de puesta a punto

ELEMENTO	Especificaciones
Reglaje del encendido	No permite ajuste
Bujías de encendido: Separación entre los electrodos	NGK BPR4ES 0,75 mm (0,030 pulg.)
Ralentí mínimo	1.550 rpm
Ralentí máximo	3.600 rpm
Holgura de las válvulas	IN 0,10 a 0,15 mm (0,004 a 0,006 pulg.)
	EX 0,10 a 0,15 mm (0,004 a 0,006 pulg.)
Otras especificaciones	No se necesitan otros ajustes

#### NOTA

○ *El ralentí máximo y mínimo pueden variar en función del equipo en el que se utilice el motor. Consulte la especificación del equipo.*

## Capacidad de la batería

 **ADVERTENCIA**

Para evitar las chispas y/o daños del sistema eléctrico, extraiga el cable negativo (-) de la batería antes de intentar cualquier reparación o mantenimiento.

## Capacidad recomendada para la batería

**Capacidad mínima recomendada para la batería**

**Clase 12 V 550 CCA**

## Combustible

Utilice sólo gasolina de tipo normal sin plomo, limpia y sin reciclar.

### **AVISO**

**No mezcle aceite con gasolina.**

## Octanaje

El octanaje de una gasolina es una medida de sus resistencia ante la "detonación". **El índice anti-detonante recomienda el uso de un mínimo de 87 octanos.** El índice antidetonante se anuncia en los surtidores de las estaciones de servicio de Estados Unidos.

### **NOTA**

- Si se producen "detonaciones o golpeteo", utilice otra marca de gasolina o un octanaje superior.
- Cuando el motor Kawasaki no se utilice más de una vez al mes, podrá mezclar un estabilizador de combustible en la gasolina del depósito de combustible. Los aditivos del estabilizador de combustible pueden evitar la oxidación de combustible.

## Compuestos oxigenados

A la gasolina se le añaden compuestos oxigenados (etanol o MTBE). Si utiliza combustible oxigenado, asegúrese de que no contenga plomo y de que cumpla los requisitos mínimos de octanaje.

## 16 INFORMACIÓN GENERAL

A continuación se detallan los porcentajes aprobados por EPA de compuestos oxigenados en el combustible.

ETANOL: (Alcohol etílico o de grano)

Puede utilizar gasolina que contenga un volumen de hasta un 10% de etanol.

MTBE: (Metilterbutil éter)

Puede utilizar gasolina que contenga un volumen de hasta un 15% de MTBE.

METANOL: (Alcohol de metilo o de madera)

Puede utilizar gasolina que contenga un volumen de hasta un 5% de metanol, siempre que también contenga codisolventes e inhibidores de corrosión para proteger el sistema de combustible. La gasolina que contenga más de un 5% de volumen de metanol puede producir problemas de arranque o rendimiento. También puede dañar las piezas de metal, goma y plástico del sistema de combustible.

- Antes del repostaje, coloque el motor en una superficie nivelada.
- Retire el tapón del depósito de combustible.
- Vierta el combustible lentamente en el depósito, a través del colador de combustible.
- Cierre firmemente la tapa del depósito.



### ADVERTENCIA

**La gasolina es extremadamente inflamable y puede ocasionar explosiones en determinadas condiciones, con el consiguiente riesgo de causar quemaduras graves. Desactive el interruptor de contacto. No fume. Asegúrese de que el área esté bien ventilada y de que no exista riesgo alguno de que se produzcan llamas o chispas; esto incluye cualquier dispositivo con llama piloto.**

# ARRANQUE

## Puesta en marcha del motor

### PELIGRO

Los gases del tubo de escape contienen monóxido de carbono, un gas tóxico, incoloro e inodoro. La inhalación de monóxido de carbono puede provocar lesiones cerebrales graves o la muerte. **NO** ponga en marcha el motor en espacios cerrados. Póngalo en marcha únicamente en lugares bien ventilados.

### ADVERTENCIA

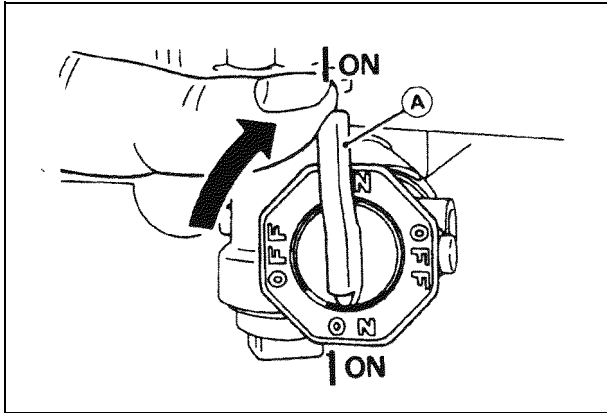
El escape del motor puede inflamar los materiales combustibles y provocar un incendio. Mantenga despejada la zona cercana a la salida de escape. Coloque la unidad de forma que dicha salida esté orientada hacia un área despejada y en una ubicación con una distancia de al menos un metro de cualquier obstrucción.

### NOTA

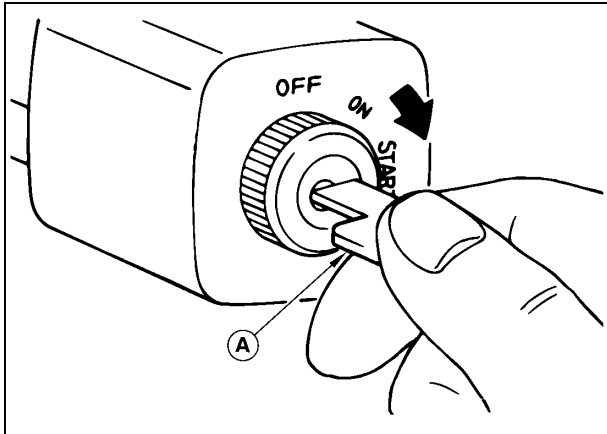
- Tenga en cuenta lo siguiente para arrancar el motor sin problemas cuando las temperaturas sean bajas.

- Utilice el aceite adecuado para la temperatura prevista (consulte la sección Aceite de motor en el capítulo RECOMENDACIONES SOBRE EL COMBUSTIBLE Y EL ACEITE).
- Utilice gasolina nueva.
- No deje el motor ni el equipo a la intemperie cuando no se esté utilizando.
- Antes de arrancar el motor, desconecte todas las posibles cargas exteriores.
  - Abra la válvula de combustible del equipo.
  - Ponga la llave en el interruptor de encendido y gírela a la posición “ON” o “RUN”.
  - Mueva la palanca del acelerador del equipo hasta la posición de baja velocidad o a la posición “SLOW” (Lento).
  - Gire la llave hasta la posición “START” (Arranque) del interruptor de encendido. Normalmente el motor se pone en marcha en menos de 3 segundos.

## 18 ARRANQUE



A. Válvula de combustible



A. Llave del interruptor del motor

### **AVISO**

No accione continuamente el motor de arranque eléctrico durante más de 5 segundos, de lo contrario, la batería se podrá descargar rápidamente. Si el motor no arranca enseguida, espere 15 segundos y vuelva a intentarlo.

### **AVISO**

Siempre que arranque el motor, compruebe que la luz de aviso no se encienda después del arranque. Si la luz se enciende, pare el motor inmediatamente y compruebe el nivel de aceite (de equiparse).

# FUNCIONAMIENTO

## Calentamiento

Para calentar el motor, hágalo funcionar de 3 a 5 minutos con la palanca del acelerador en la posición de velocidad "SLOW" (Lento). A continuación, mueva la palanca del acelerador del equipo hasta la posición de velocidad "FAST" (Rápido) antes de poner el equipo bajo carga.

### **AVISO**

**Deje que el equipo se caliente lo suficiente (de 3 a 5 minutos al ralentí) antes de acelerarlo. De esta forma el aceite llega a todas las partes del motor y permite que la holgura del pistón alcance las especificaciones de diseño.**

### **AVISO**

**Mientras se calienta el motor, asegúrese de que la luz de aviso (presión de aceite) no esté encendida en el tablero de instrumentos. La luz de aviso no debe estar iluminada (de equi-arse) durante la operación del motor.**

## Inclinación del motor

Este motor funcionará de forma continuada con inclinaciones de hasta 25° en cualquier dirección.

Lea las instrucciones de funcionamiento del equipo en el que se utilice este motor. Debido al diseño o a la aplicación de dicho equipo, pueden existir restricciones más estrictas respecto al ángulo de funcionamiento.

### **AVISO**

**No utilice este motor de forma continuada con inclinaciones superiores a 25° en cualquier dirección, ya que se podrían producir daños en el mismo debido a una falta de lubricación.**

## 20 FUNCIONAMIENTO

---

### **MIL (Luz indicadora de mal funcionamiento)**

---

El equipo cuenta con una luz MIL para indicar el mal funcionamiento del sistema EFI.

La luz MIL se ilumina cuando la ECU del motor detecta una avería en el sistema EFI.

Si se ilumina la MIL, consulte con su distribuidor autorizado de motores Kawasaki o con un centro de servicio de similar cualificación.

### **Modo de potencia reducida (velocidad del motor reducida al ralentí bajo)**

---

Cuando la ECU detecta que el motor está en las siguientes condiciones, la ECU reduce la velocidad del motor hasta el ralentí bajo (modo de potencia reducida).

Si el motor entra en el modo de potencia reducida, deténgalo tan pronto como sea posible y consulte la guía de solución de problemas al final de este manual.

Realice cuanto antes el servicio de un motor que ha entrado en el modo de potencia reducida. La operación en el modo de potencia reducida por un período de tiempo prolongado puede causar la avería del motor.

#### **Causas del modo de potencia reducida**

- Sobrecalentamiento del motor (MIL encendida)
- La presión de aceite es baja (si está equipado con interruptor de aceite/MIL apagada, luz de presión de aceite encendida)
- Mal funcionamiento del control de la válvula del acelerador (mal funcionamiento interno de la ECU/MIL encendida)
- Mal funcionamiento del sensor de posición del acelerador (mal funcionamiento interno del cuerpo del acelerador/MIL encendida)
- Mal funcionamiento del sensor de entrada del acelerador manual (MIL encendida)



# PARADA

## Parada del motor

### Parada normal

- Mueva la palanca del acelerador hasta la posición "SLOW" (Lento).
- Déjelo funcionar a la velocidad "SLOW" (Lento) durante aproximadamente un minuto.

### **AVISO**

Si el motor se estaba utilizando a alta velocidad y se para de repente, se pueden producir daños en el mismo debido al funcionamiento en vacío o a la persistencia de la combustión durante el periodo de expansión. Reduzca la velocidad del motor a "SLOW" (Lento) durante un minuto antes de apagarlo.

- Gire la llave de contacto del motor hasta la posición "OFF" (Apagado).

### Parada de emergencia

- Gire inmediatamente la llave de contacto del motor hasta la posición "OFF" (Apagado).
- Cierre la válvula de combustible del equipo.



### **ADVERTENCIA**

Dejar el equipo con la llave colgada en el encendido podría dar lugar a la operación por parte de personal inexperto. Podría provocar un accidente grave y lesiones. Siempre retire la llave del equipo desatendido.

# AJUSTE

---

## Ajuste de la velocidad del motor

---

### NOTA

- *No modifique el ajuste del sistema EFI para aumentar la velocidad del motor. Todos los sistemas EFI se ajustan en fábrica.*
- *En caso de que sea necesario un ajuste, consulte con un distribuidor autorizado de motores Kawasaki o con un centro de servicio de similar cualificación para que le realicen el ajuste.*

# MANTENIMIENTO

**El mantenimiento, sustitución o reparación de los dispositivos y sistemas de control de emisiones  pueden realizarse a través de cualquier taller o técnico de motores no diseñados para vehículos.**

## 24 MANTENIMIENTO

### Tabla de mantenimiento periódico

#### ADVERTENCIA

Evite el arranque accidental durante el servicio del motor retirando las tapas de las bujías.

#### NOTA

○ Los intervalos de mantenimiento se pueden utilizar como guía. El mantenimiento se deberá realizar con □ mayor frecuencia dependiendo de las condiciones de funcionamiento.

MANTENIMIENTO	INTERVALO						
	Diario	Cada 50 h	Cada 100 h	Cada 200 h	Cada 250 h	Cada 300 h	Cada 500 h
Comprobar y añadir aceite de motor.	●						
Comprobar si hay tuercas o tornillos flojos o falta alguno de estos elementos.	●						
Comprobar si hay fugas de combustible o de aceite.	●						
Comprobar el nivel de electrolito de la batería.	●						
◆ Comprobar o limpiar la rejilla filtradora de entrada de aire.	●						
Comprobar la cubierta de limpieza.		●					
◆ Limpiar el polvo y la suciedad del cilindro ◇ y aletas de la cabeza del cilindro.			●				
Apretar las tuercas y tornillos.			●				
Cambiar el aceite del motor.	Cada 100 horas o 1 año, lo cual se cumpla primero						

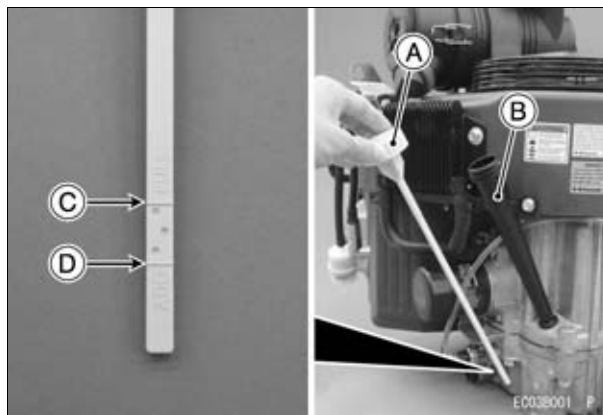
MANTENIMIENTO	INTERVALO						
	Diario	Cada 50 h	Cada 100 h	Cada 200 h	Cada 250 h	Cada 300 h	Cada 500 h
◆ Revisar y limpiar las aletas del enfriador de aceite.			●				
Limpiar y reajustar la separación entre los electrodos de las bujías de encendido.			●				
Cambiar el filtro de aceite.				●			
◆ Sustituir el elemento de papel del filtro de aire.					●		
◆ Comprobar el elemento secundario del filtro de aire.					●		
◇ Limpiar la cámara de combustión.						●	
◇ Comprobar y ajustar la holgura de las válvulas.						●	
◇ Limpiar y rectificar la superficie de asiento de la válvula.						●	
◆ Sustituir el elemento secundario del filtro de aire.							●

- ◆: Realizar el mantenimiento con mayor frecuencia en condiciones de mucho polvo o suciedad.
- ◇: El mantenimiento se realizará a través de un distribuidor autorizado de motores Kawasaki o centro de servicio de similar cualificación.

### Comprobación del nivel de aceite

Revise el aceite del motor diariamente antes de poner en marcha el motor, de lo contrario, la escasez de aceite del motor podría causar daños graves al motor, como por ejemplo, el agarrotamiento.

- Coloque el motor sobre una superficie nivelada.
- Limpie el área alrededor del indicador de aceite antes de extraerlo.
- Extraiga el indicador de aceite y límpielo con un paño limpio.
- Inserte el indicador de aceite en el tubo, SIN ENROSCARLO.
- Extraiga el indicador de aceite y compruebe el nivel de aceite. El nivel debe encontrarse entre las marcas "ADD" (Añadir) y "FULL" (Lleno).



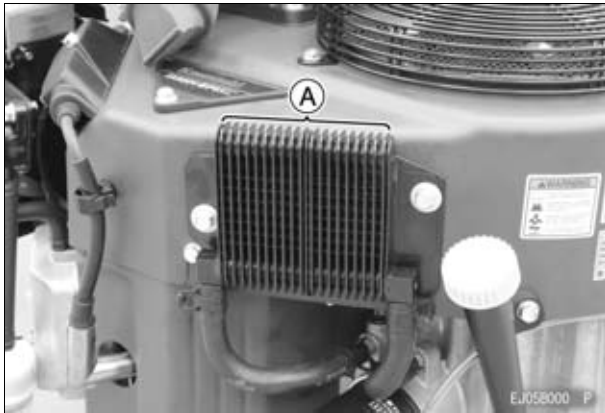
- A. Indicador de aceite**
- B. Tubo**
- C. Marca "FULL"**
- D. Marca "ADD"**

- Si el nivel de aceite es demasiado alto, quite el exceso de aceite a través de la abertura de llenado de aceite usando una jeringa u otro utensilio adecuado.
- Si el nivel del aceite es demasiado bajo, añada aceite hasta alcanzar el nivel correcto. Use el mismo tipo y la misma marca de aceite que hubiera en el motor.
- Instale y apriete el indicador de aceite.

## Mantenimiento del enfriador de aceite

Revise y limpie las aletas del enfriador de aceite cada 100 horas..

- Limpie la suciedad adherida a la superficie de las aletas con un cepillo o aire comprimido.



A. Aletas del enfriador de aceite

## Cambio de aceite

Cambiar el aceite cada 100 horas o 1 año lo cual se cumpla primero.

### NOTA

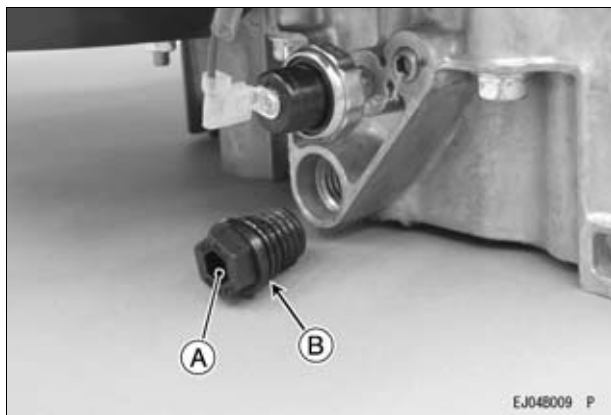
○ Si no dispone de una llave de torsión, esta revisión deberá realizarse en un distribuidor autorizado de motores Kawasaki o un centro de servicio de similar cualificación.

- Arranque el motor para calentar el aceite.
- Coloque el motor sobre una superficie nivelada.
- Pare el motor.
- Quite el tapón de drenaje de aceite y extraiga el aceite a un contenedor adecuado mientras el motor está caliente.

### ADVERTENCIA

**El aceite caliente del motor puede provocar quemaduras graves.  
Deje que la temperatura del motor descienda de caliente a templada antes de extraer y manejar el aceite.**

## 28 MANTENIMIENTO



- A. Tapón de drenaje de aceite**  
**B. Junta tórica**

- Cambie la junta tórica por una nueva.
- Aplique grasa a la junta tórica.
- Apriete el tapón de drenaje de aceite.

### Par de apriete

#### Tapón de drenaje de aceite:

**7,35 N·m (0,749 kgf·m, 65 pulg lb)**

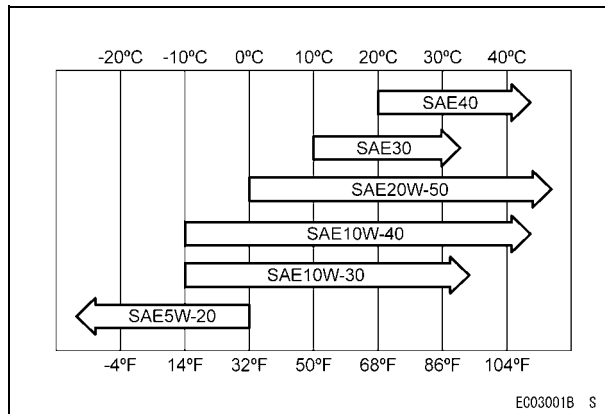
- Llene con aceite de motor de buena calidad especificado en la tabla.
- Verifique el nivel de aceite (consulte la sección Comprobación del nivel de aceite).

### Aceite de motor recomendado

Tipo:  
API SJ o SL

### Viscosidad del aceite de motor

Seleccione la viscosidad en función de la temperatura, como sigue:



### NOTA

- A pesar de que se recomienda utilizar el aceite de motor 10W-40 para la mayoría de las condiciones, puede que resulte necesario utilizar un aceite de viscosidad diferente según las condiciones atmosféricas. El uso de aceite 20W-50 a temperaturas ambiente más altas puede reducir el consumo de aceite.



**Capacidad de aceite del motor**

FX850V EFI	2,1 L [cuando no se ha retirado el filtro de aceite]
	2,3 L [cuando se ha retirado el filtro de aceite]

**ADVERTENCIA**

**El aceite del motor es una sustancia tóxica. Deshágase del aceite utilizado de la forma más adecuada. Póngase en contacto con las autoridades locales para obtener información sobre los métodos autorizados de eliminación de residuos o el posible reciclaje.**

**Cambio del filtro de aceite**

Cambie el filtro de aceite cada 200 horas.

- Drene el aceite de motor en un recipiente adecuado (consulte la sección Cambio de aceite).

**AVISO**

**Antes de extraer el filtro de aceite, coloque una bandeja adecuada debajo de la conexión del filtro.**

- Gire el filtro de aceite en el sentido contrario a las agujas del reloj y extráigalo.
- Cambie el filtro de aceite por uno nuevo.
- Extienda una película de aceite de motor limpio en el sello del nuevo filtro.
- Instale el nuevo filtro girándolo en el sentido de las agujas del reloj hasta que haga contacto con la superficie de montaje. A continuación, gire adicionalmente el filtro 2/3 de vuelta con la mano.
- Instale el tapón de drenaje de aceite y reabastezca aceite nuevo (consulte la sección Cambio de aceite).
- Haga funcionar el motor durante 3 minutos, y déntelo.
- Revise si hay fugas de aceite alrededor del filtro y compruebe el nivel de aceite (consulte la sección Comprobación del nivel de aceite).

## 30 MANTENIMIENTO

### Mantenimiento del filtro de aire

#### **AVISO**

**No haga funcionar el motor con el filtro de aceite desmontado.**

#### Filtro de aire

No se recomienda limpiar los elementos del filtro de aire. Reemplace cada elemento del filtro de aire por uno nuevo cuando realice el mantenimiento, tal y como se muestra en el gráfico de mantenimiento.

#### **AVISO**

**Para evitar el desgaste excesivo del motor, evite que el motor funcione sin filtro de aire.**

#### **AVISO**

**No lave el elemento de papel.  
No aplique aceite al elemento de papel o de espuma.  
No utilice aire a presión para limpiar el elemento de papel.**

#### **NOTA**

○ *El funcionamiento en condiciones de polvo o suciedad podría requerir un mantenimiento más frecuente.*

#### **Elemento primario**

Reemplace el elemento primario cada 250 horas.

#### **Elemento secundario**

- Reemplace el elemento secundario por uno nuevo si el elemento secundario está sucio al comprobar el elemento primario.
- Reemplace el elemento secundario por uno nuevo cada 500 horas.

#### **Tapa (válvula del eyector de polvo)**

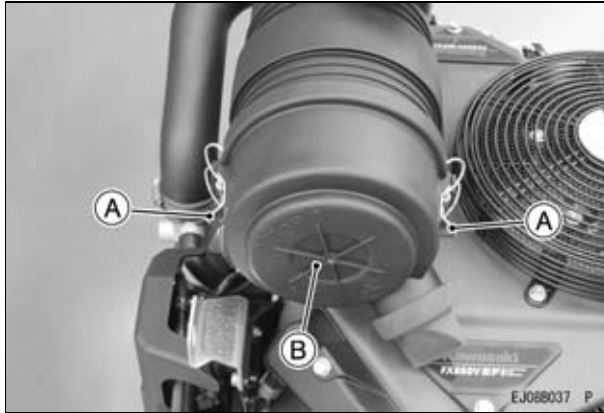
Empuje y abra la tapa de la caja del cuerpo del filtro de aire para expulsar el polvo y/o agua acumulados en el interior.



**A. Tapa (válvula del eyector de polvo)**

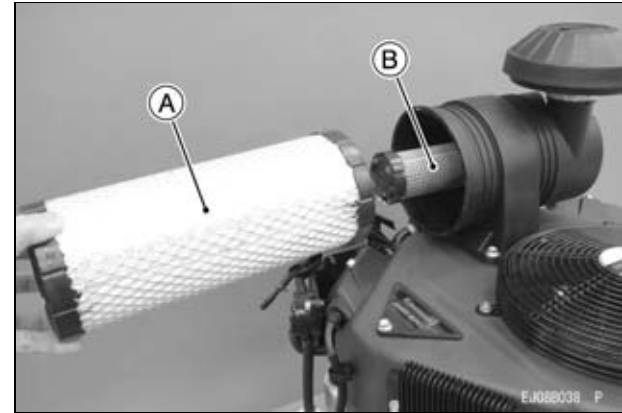
### Reemplace el elemento del filtro de aire

- Suelte las abrazaderas de retención y retire la caja del cuerpo del filtro de aire.



**A. Abrazaderas de retención**  
**B. Caja**

- Tire del elemento primario y del elemento secundario del cuerpo del filtro de aire para retirarlos.



**A. Elemento primario**  
**B. Elemento secundario**

- Instale los nuevos elementos del filtro de aire en el cuerpo del filtro de aire.
- Vuelva a colocar la caja y fije con firmeza las abrazaderas de retención.

### Mantenimiento del filtro y la bomba de combustible

#### ADVERTENCIA

Muchos disolventes son sumamente inflamables y pueden causar quemaduras graves. El uso incorrecto de disolventes puede causar un incendio o una explosión. No utilice gasolina ni disolventes con baja temperatura de inflamación para limpiar el filtro de combustible o la bomba de combustible. La limpieza se debe realizar siempre en un lugar bien ventilado, lejos de fuentes de chispas o llamas, incluyendo cualquier aparato con luz piloto.

- El filtro de combustible no se puede desmontar. Si se obstruye, sustitúyalo por uno nuevo.
- La bomba de combustible no se puede desmontar. Si ésta falla, sustitúyala por una nueva.

### Mantenimiento de la bujía de encendido

#### ADVERTENCIA

Los motores pueden calentarse considerablemente durante el normal funcionamiento. Los componentes calientes del motor pueden provocar quemaduras graves. Pare el motor y deje que se enfríe antes de comprobar las bujías de encendido.

Limpie o reemplace las bujías y ajuste la separación cada 100 horas de funcionamiento.

#### NOTA

- Si no dispone de una llave de torsión, esta revisión deberá realizarse en un distribuidor autorizado de motores Kawasaki o un centro de servicio de similar cualificación.
- Retire los capuchones de las bujías de encendido y extraiga las bujías.
- Limpie los electrodos mediante raspado o con un cepillo no metálico (nylon, etc.) y elimine el carbón depositado.
- Inspeccione si presenta porcelana agrietada u otros daños o desgaste. Si es necesario, sustituya la bujía de encendido por una nueva.
- Compruebe la separación entre los electrodos de la bujía de encendido y reajústela si fuera necesario. Para cambiar la separación, doble sólo el electrodo lateral con una herramienta específica para tal fin.

**Distancia mínima entre electrodos**

<b>NGK BPR4ES</b>	<b>0,75 mm (0,030 pulg.)</b>
-------------------	------------------------------

- Apriete las bujías.

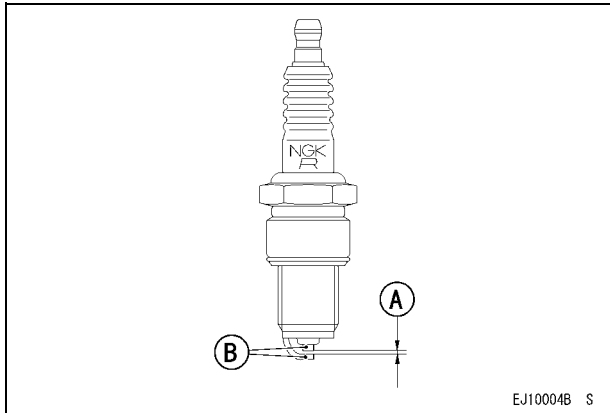
**Par de apriete**

<b>Bujías de encendido:</b>
<b>22,5 N·m (2,29 kgf·m, 16,6 pies lb)</b>

- Coloque firmemente las tapas de las bujías en las bujías.
- Levante ligeramente las tapas de las bujías y asegúrese de que estén instaladas.

**BUJÍA RECOMENDADA**

NGK .....BPR4ES



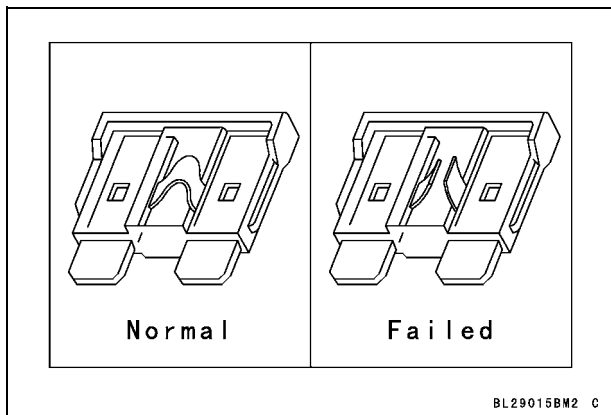
- A. Distancia mínima entre electrodos**
- B. Electrodos**

**Mantenimiento de los fusibles**

Los fusibles están dispuestos en la caja de fusibles situada en el lateral del motor. Si un fusible se funde durante el funcionamiento, revise el sistema eléctrico para determinar la causa y sustitúyalo por uno nuevo del amperaje correcto.

Si el fusible se funde con frecuencia, significa que hay un problema en el sistema eléctrico. Haga revisar el motor en un distribuidor autorizado de motores Kawasaki o un centro de servicio de similar cualificación.

<p><b>ADVERTENCIA</b></p>
<p><b>La sustitución de fusibles puede provocar el sobrecalentamiento del cableado, un incendio y/o una avería. No utilice ningún sustituto para el fusible estándar. Cambie el fusible fundido por uno nuevo de la capacidad correcta.</b></p>



### Limpieza del sistema de refrigeración

#### **AVISO**

**Para mantener una buena refrigeración, no haga funcionar el motor antes de volver a instalar todas las piezas del sistema de refrigeración.**

#### **Rejilla de entrada**

Antes de cada operación, verifique que la rejilla de entrada de aire esté libre de hierbas y suciedad. Limpie la rejilla según se requiera.

#### **Cubierta para limpieza**

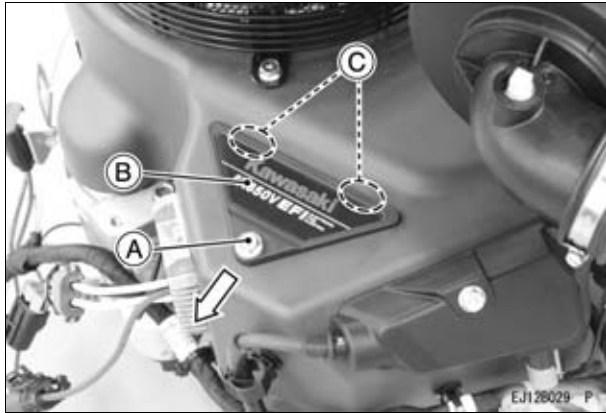
Cada 50 horas de funcionamiento, revise si hay polvo o suciedad en el interior de la carcasa del ventilador. Para revisar el interior, retire la cubierta para la limpieza y realice la inspección a través de los orificios de inspección de la carcasa del ventilador. Limpie o sople el polvo según se requiera. Si es difícil limpiar el polvo desde los orificios, extraiga la carcasa del ventilador y limpie la suciedad por completo.

#### **NOTA**

○ Si no dispone de una llave de torsión, esta revisión deberá realizarse en un distribuidor autorizado de motores Kawasaki o un centro de servicio de similar cualificación.

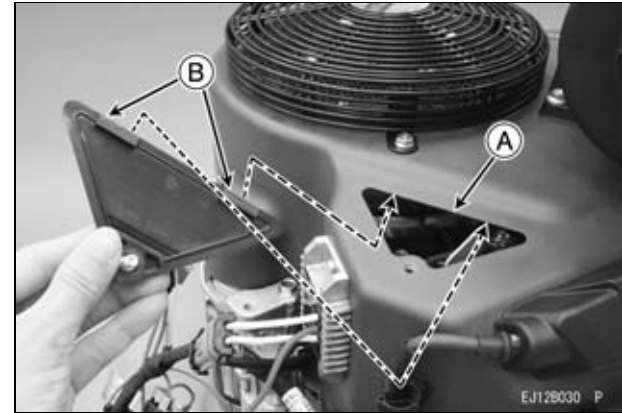
- Afloje el perno de la cubierta para la limpieza.

- Tire de la cubierta para la limpieza hacia afuera hasta liberarla de las lengüetas.
- Retire la cubierta para la limpieza.



- A. Perno de la cubierta para la limpieza**
- B. Cubierta para la limpieza**
- C. Lengüetas**

- Revise el interior desde los orificios de inspección de la carcasa del ventilador y realice la limpieza, según se requiera.
- Inserte las lengüetas debajo de la carcasa del ventilador.



- A. Orificio de inspección**
- B. Lengüetas**

- Apriete el perno de la cubierta para la limpieza.  
**Par de apriete**

**Perno de la cubierta para la limpieza:**  
**6,85 N·m (0,699 kgf·m, 61 pulg lb)**

### **Cilindro y aletas de la culata del cilindro**

Cada 100 horas de funcionamiento, revise y limpie las aletas de refrigeración y el interior de los refuerzos del motor para eliminar las hierbas, matas o suciedad que obstruyen el sistema de refrigeración y causan el sobrecalentamiento.

### **NOTA**

- Si no dispone de una llave de torsión, esta revisión deberá realizarse en un distribuidor

## 36 MANTENIMIENTO

*autorizado de motores Kawasaki o un centro de servicio de similar cualificación.*

- Desconecte las tapas de las bujías [A] y los conectores de la bobina de encendido [B].
- Abra la abrazadera [C].
- Retire los pernos del protector y el protector [D].
- Afloje la abrazadera [E] y desconecte el tubo [F].
- Extraiga los pernos del filtro de aire y el filtro de aire [G].

### NOTA

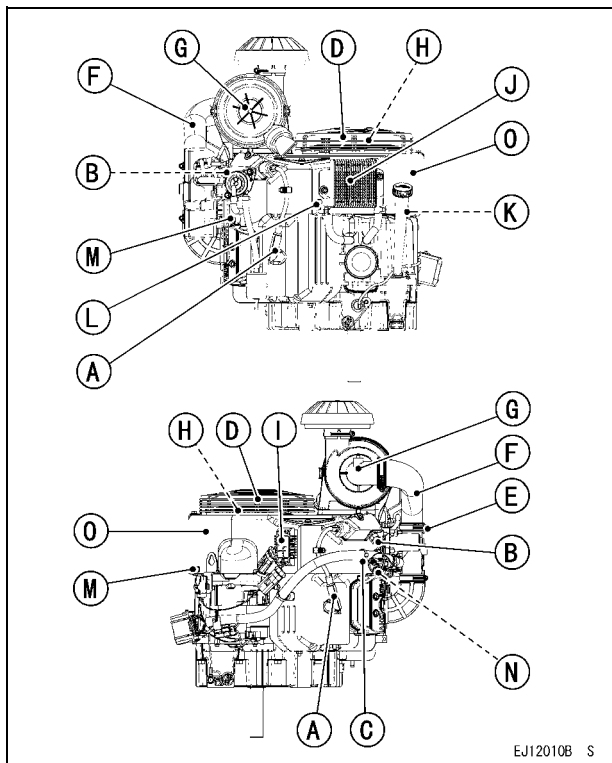
○ *Tape el orificio de admisión del cuerpo del acelerador para evitar la entrada de polvo.*

- Extraiga los pernos de la rejilla de entrada de aire y la rejilla de entrada de aire [H].
- Extraiga los pernos del regulador de voltaje y el regulador de voltaje [I].
- Extraiga los pernos del enfriador de aceite, las arandelas, el enfriador de aceite [J] y el soporte.
- Afloje el perno de montaje de llenado de aceite [K].
- Afloje y/o extraiga los pernos de la carcasa del ventilador [L] [M] [N].
- Retire la carcasa del ventilador [O].



Esta página ha sido dejada en blanco intencionalmente.

## 38 MANTENIMIENTO



- A. Tapa de la bujía
- B. Conector de la bobina de encendido
- C. Abrazadera
- D. Protector
- E. Abrazadera
- F. Tubo
- G. Filtro de aire
- H. Rejilla de admisión de aire
- I. Regulador de voltaje
- J. Enfriador de aceite
- K. Perno de montaje de llenado de aceite (Aflojar)
- L. Perno de la carcasa del ventilador (Aflojar)
- M. Perno de la carcasa del ventilador (L = 12 mm, extraer)
- N. Perno de la carcasa del ventilador (L = 16 mm, extraer)
- O. Carcasa del ventilador

- Limpie el cilindro y las aletas de la culata del cilindro.
- Instale las piezas desmontadas.

**Tabla de pares de apriete**

Fijación	Tamaño	Eslora	Cant.	Par		
				N·m	kgf·m	pulg·lb
Perno de la carcasa del ventilador	M6	12 mm	3	6,85	0,699	61
		16 mm	1			
Perno de montaje de llenado de aceite	M6	16 mm	1	6,85	0,699	61
Perno del enfriador de aceite	M6	16 mm	2	6,85	0,699	61
Perno del regulador de voltaje	–	12 mm	2	3,0	0,31	27
Perno de la rejilla de entrada de aire	M6	12 mm	4	6,85	0,699	61
Perno del filtro de aire	M6	22 mm	4	9,75	0,994	86
Perno del protector	M6	12 mm	3	6,85	0,699	61

## ALMACENAMIENTO

### Procedimiento de almacenamiento del motor

Cuando deje su motor Kawasaki sin usar durante más de 30 días, añada estabilizador de combustible al depósito de combustible y hágalo funcionar durante 5 minutos, a continuación, drene el depósito de combustible.

Después de drenar el depósito de combustible, haga funcionar el motor a ralentí bajo hasta que el motor se pare.

#### ADVERTENCIA

**La gasolina es sumamente inflamable y, en determinadas condiciones, podría explotar. Drene el combustible antes de almacenar el equipo durante períodos de tiempo prolongados. Drene la gasolina en un lugar bien ventilado, lejos de fuentes de chispas o llamas, incluyendo cualquier aparato con luz piloto. Guarde la gasolina en un lugar seguro, dentro de un recipiente aprobado.**

#### ADVERTENCIA

**La gasolina es una sustancia tóxica. Deseche la gasolina de la manera adecuada. Póngase en contacto con las autoridades locales para disponer de métodos de desecho aprobados.**

- Retire las bujías y vierta aproximadamente 1 a 2 mL (1/2 cucharadita) de aceite de motor a través de los orificios de las bujías y luego enrosque las bujías después de hacer girar el motor unas cuantas veces. Haga girar el motor lentamente hasta notar que hay compresión y déjelo en ese punto. Con esto, el aire queda atrapado dentro de los cilindros e impide la oxidación dentro del motor.
- Limpie el cuerpo con un paño aceitoso.
- Envuelva el motor con un plástico y guárdelo en un lugar seco.
- Después del almacenamiento, cambie el aceite del motor antes del siguiente uso (consulte la sección Cambio de aceite en el capítulo MANTENIMIENTO).



**A. Orificio de la bujía**

# SOLUCIÓN DE AVERÍAS

Si el motor no funciona correctamente, compruebe con atención los síntomas y las condiciones de funcionamiento y consulte la siguiente tabla como guía para reparar las averías.

Síntoma		Causa probable	Solución
El motor no arranca o la potencia es baja	Compresión insuficiente	Las bujías de encendido están flojas	Apriételas correctamente
		Pistones, cilindros, aros de pistón o juntas de la culata defectuosos	◇
		Las válvulas fallan	
		Las bujías de encendido están flojas	
	No hay combustible en la cámara de combustión	No hay combustible en el depósito	Rellene el depósito
		La válvula de combustible no está en la posición "ON".	Abra la palanca de la válvula de combustible.
		Filtro o tubo de combustible obstruido	Cambie el filtro o el tubo de combustible
		Orificio de ventilación de aire obstruido en el tapón del depósito	Limpie la tapa del depósito de combustible
		Sistema de combustible defectuoso	◇
	Las bujías de encendido están llenas de aceite	El filtro de aire está obstruido	Sustituir
		Grado/tipo de combustible incorrecto	Cambie el combustible
		Agua en el combustible	
		Mezcla de aire/combustible excesivamente rica	◇
		Sistema de combustible defectuoso	

Síntoma		Causa probable	Solución
	No enciende o el encendido es débil	Fallan las bujías de encendido	Sustitúyalas
		El interruptor del motor está en la posición "OFF"	Gire la llave de contacto del motor hasta la posición "START" (Arranque). (Consulte <b>M</b> )
		Fallan las bobinas de encendido	◇
Poca potencia	El motor se sobrecalienta	El filtro de aire está obstruido	Sustituir
		Rejilla de entrada de aire o conducto del aire de refrigeración obstruido con suciedad	Limpio
		No hay suficiente aceite	Rellénelo o cambie el aceite
		Se ha acumulado carbonilla en la cámara de combustión	◇
	La velocidad del motor no aumenta	Regulador E defectuoso.	◇

◇: El mantenimiento se realizará a través de un distribuidor autorizado de motores Kawasaki o centro de servicio de similar cualificación.

**M:** En el caso del tipo de interruptor mediante panel de control, aleje la palanca del acelerador del equipo del extremo de baja velocidad antes de girar el interruptor de encendido hasta la posición "START".

## 44 SOLUCIÓN DE AVERÍAS

### Modo de potencia reducida

Síntoma		Causa probable	Solución
Velocidad del motor reducida al ralentí bajo.	Sobrecalentamiento del motor (MIL encendida)	Presencia de suciedad o polvo dentro de la cubierta	Limpieza (consulte la sección Limpieza del sistema de refrigeración en el capítulo mantenimiento)
		Mal funcionamiento del circuito o del sensor de temperatura	◇
	Presión de aceite baja (si está equipado con interruptor de aceite) (MIL apagada/luz de aceite encendida)	Nivel de aceite bajo	Añadir aceite (consulte la sección Comprobación del nivel de aceite en el capítulo Mantenimiento)
		Mal funcionamiento del circuito o del interruptor de aceite	◇
		Mal funcionamiento del sistema de lubricación	◇
	Mal funcionamiento del sensor de entrada del acelerador manual (MIL encendida)	Problema del cableado o mal funcionamiento del sensor	◇
	Mal funcionamiento del interruptor de la ECU/cuerpo del acelerador (MIL encendida)	Falla del control de la válvula del acelerador	◇
		Mal funcionamiento del sensor de posición del acelerador	◇



- ◇: El mantenimiento se realizará a través de un distribuidor autorizado de motores Kawasaki o centro de servicio de similar cualificación.

## PROTECCIÓN MEDIOAMBIENTAL

Para ayudar a preservar el medio ambiente, descarte correctamente las baterías, aceites y líquidos usados u otros componentes del motor.

Consulte a un distribuidor autorizado de motores Kawasaki o centro de servicio de similar cualificación o a la agencia de residuos medioambientales sobre el procedimiento que debe seguirse para realizar una correcta eliminación. Esto también se aplica a la eliminación del motor en sí cuando llegue al final de su vida de servicio.

# ESPECIFICACIONES

	FX850V EFI
Tipo	Motor de gasolina OHV de 4 tiempos y 4 válvulas, refrigerado por aire, cilindros gemelos en V
Calibre × carrera	84,5 × 76 mm (3,33 × 2,99 pulg.)
Cilindrada	852 mL (52.0 pulg. cúbicas)
Sistema de encendido	Encendido electrónico
Dirección de rotación	Contraria a las agujas del reloj, mirando al eje de toma de fuerza
Sistema de arranque	Motor de arranque electrónico

## NOTA

○ Las especificaciones pueden modificarse sin previo aviso.

**⚠ WARNING**

The engine exhaust from this product contains chemicals known to the State of California to cause cancer, birth defects or other reproductive harm.

**⚠ ADVERTENCIA**

El escape del motor de este producto contiene productos químicos que, según el Estado de California, provocan cáncer, defectos de nacimiento o afectan a la fecundidad.

For repair or maintenance assistance contact an authorized Kawasaki engine dealer or equally qualified service facility.

For warranty assistance please contact an authorized Kawasaki engine dealer.

Kawasaki engine dealer locator can be found on our website: [www.kawasakienginesusa.com](http://www.kawasakienginesusa.com)

For further assistance email: [kawasakienginesupport@kmc-usa.com](mailto:kawasakienginesupport@kmc-usa.com) or call 877-364-6404

Para obtener asistencia en la reparación y mantenimiento, póngase en contacto con un distribuidor autorizado de motores Kawasaki o con un centro de servicio de similar cualificación.

Para obtener asistencia respecto a la garantía, póngase en contacto con un distribuidor autorizado de motores Kawasaki. El localizador de distribuidores de motores Kawasaki se encuentra disponible en nuestro sitio web: [www.kawasakienginesusa.com](http://www.kawasakienginesusa.com)

Si necesita más asistencia, envíe un correo electrónico a [kawasakienginesupport@kmc-usa.com](mailto:kawasakienginesupport@kmc-usa.com) o llame al 877-364-6404



**Kawasaki**  
— ENGINES —