

STIHL[®]

STIHL FS 410 C-M, 460 C-M

Instruction Manual
Notice d'emploi



Ⓞ **Instruction Manual**
1 - 40

Ⓞ **Notice d'emploi**
41 - 84

Contents

| | | | |
|--|----|---|----|
| Guide to Using this Manual | 2 | Disposal | 38 |
| Safety Precautions and Working Techniques | 2 | STIHL Limited Emission Control Warranty Statement | 38 |
| Approved Combinations of Cutting Attachment, Deflector, Limit Stop and Harness | 11 | | |
| Mounting the Bike Handle | 13 | | |
| Adjusting the Throttle Cable | 15 | | |
| Mounting the Deflector | 16 | | |
| Mounting the Cutting Attachment | 16 | | |
| Fuel | 19 | | |
| Fueling | 20 | | |
| Fitting the Full Harness | 21 | | |
| Balancing the Machine | 22 | | |
| Starting / Stopping the Engine | 22 | | |
| Operating Instructions | 25 | | |
| Air filter | 25 | | |
| Engine Management | 26 | | |
| M-Tronic | 26 | | |
| Winter Operation | 27 | | |
| Spark Plug | 28 | | |
| Engine Running Behavior | 29 | | |
| Storing the Machine | 30 | | |
| Sharpening Metal Cutting Blades | 30 | | |
| Inspection and Maintenance by User | 30 | | |
| Inspections and Maintenance by Dealer | 31 | | |
| Maintenance and Care | 33 | | |
| Main Parts | 35 | | |
| Specifications | 37 | | |
| Maintenance and Repairs | 38 | | |

Dear Customer,

Thank you for choosing a quality engineered STIHL product.

It has been built using modern production techniques and comprehensive quality assurance. Every effort has been made to ensure your satisfaction and trouble-free use of the product.

Please contact your dealer or our sales company if you have any queries concerning this product.

Your



Dr. Nikolas Stihl

STIHL®

FS 410 C-M, FS 460 C-M

Guide to Using this Manual

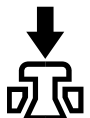
Pictograms

The meanings of the pictograms attached to the machine are explained in this manual.

Depending on the model concerned, the following pictograms may be attached to your machine.



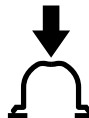
Fuel tank; fuel mixture of gasoline and engine oil



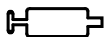
Operate decompression valve



Manual fuel pump



Operate manual fuel pump



Tube of grease



Intake air: Summer operation



Intake air: Winter operation



Handle heating

Symbols in text



WARNING

Warning where there is a risk of an accident or personal injury or serious damage to property.



NOTICE

Caution where there is a risk of damaging the machine or its individual components.

Engineering improvements

STIHL's philosophy is to continually improve all of its products. For this reason we may modify the design, engineering and appearance of our products periodically.

Therefore, some changes, modifications and improvements may not be covered in this manual.

Safety Precautions and Working Techniques



Some special safety precautions have to be observed when working with this power tool because of the very high speed of the cutting attachment.



It is important that you read the instruction manual before first use and keep it in a safe place for future reference. Non-observance of the instruction manual may result in serious or even fatal injury.

Observe all applicable local safety regulations, standards and ordinances.

If you have not used this type of power tool before: Have your dealer or other experienced user show you how to operate your unit or attend a special course in its operation.

Minors should never be allowed to use a power tool.

Keep bystanders, especially children, and animals away from the work area.

When the power tool is not in use, shut it off so that it does not endanger others. Secure it against unauthorized use.

The user is responsible for avoiding injury to third parties or damage to their property.

Do not lend or rent your power tool without the instruction manual. Be sure that anyone using it understands the information contained in this manual.

The use of noise emitting power tools may be restricted to certain times by national or local regulations.

To operate the power tool you must be rested, in good physical condition and mental health.

If you have any condition that might be aggravated by strenuous work, check with your doctor before operating a power tool.

Persons with pacemakers only: The ignition system of your power tool produces an electromagnetic field of a very low intensity. This field may interfere with some pacemakers. STIHL recommends that persons with pacemakers consult their physician and the pacemaker manufacturer to reduce any health risk.

Do not operate the power tool if you are under the influence of any substance (drugs, alcohol) which might impair vision, dexterity or judgment.

Depending on the cutting attachment fitted, use your power tool only for cutting grass, wild growth, shrubs, scrub, bushes, small diameter trees and similar materials.

Do not use your power tool for any other purpose because of the **increased risk of accidents**.

Only use cutting attachments and accessories that are explicitly approved for this power tool model by STIHL or are technically identical. If you have any questions in this respect, consult a servicing dealer. Use only high quality tools and accessories in order to avoid the risk of accidents and damage to the machine.

STIHL recommends the use of genuine STIHL cutting attachments and accessories. They are specifically designed to match the product and meet your performance requirements.

Never attempt to modify your unit in any way since this may increase the risk of personal injury. STIHL excludes all liability for personal injury and damage to property caused while using unauthorized attachments.

Do not use a pressure washer to clean the unit. The solid jet of water may damage parts of the unit.

The deflector on this power tool cannot protect the operator from all objects thrown by the cutting attachment (stones, glass, wire, etc.). Such objects may ricochet and then hit the operator.

Clothing and Equipment

Wear proper protective clothing and equipment.



Clothing must be sturdy but allow complete freedom of movement. Wear snug-fitting clothing, an overall and jacket combination, do not wear a work coat.

Avoid clothing that could get caught on branches or brush or moving parts of the machine. Do not wear a scarf, necktie or jewelry. Tie up and confine long hair (e.g. with a hair net, cap, hard hat, etc.).



Wear steel-toed safety boots with non-slip soles.



WARNING



To reduce the risk of eye injuries, wear snug-fitting safety glasses in accordance with European Standard EN 166. Make sure the safety glasses are a good fit.

Wear a face shield and make sure it is a good fit. A face shield alone does not provide adequate eye protection.

Wear hearing protection, e.g. earplugs or ear muffs.

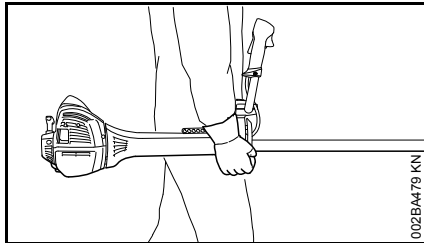
Wear a safety hard hat for thinning operations, when working in high scrub and where there is a danger of head injuries from falling objects.



Wear robust work gloves made of durable material (e.g. leather).

STIHL offers a comprehensive range of personal protective clothing and equipment.

Transporting the Power Tool



Always stop the engine.

Carry the unit hanging from the shoulder strap or properly balanced by the drive tube. Fit transport guard on metal cutting attachments to avoid the risk of injury from blade contact



To reduce the risk of serious burn injuries, avoid touching hot parts of the machine, including the gearbox housing.

In vehicles: Properly secure your power tool to prevent turnover, fuel spillage and damage.

Fueling



Gasoline is an extremely flammable fuel. Keep clear of naked flames. Do not spill any fuel – do not smoke.

Always shut off the engine before refueling.

Do not fuel a hot engine – **fuel may spill and cause a fire.**

Open the fuel cap carefully to allow any pressure build-up in the tank to release slowly and avoid fuel spillage.

Fuel your power tool only in well-ventilated areas. If you spill fuel, wipe the machine immediately – if fuel gets on your clothing, change immediately.



After fueling, tighten down the fuel tank cap as securely as possible.

This reduces the risk of unit vibrations causing the fuel cap to loosen or come off and spill quantities of fuel.

To reduce the risk of serious or fatal burn injuries, check for fuel leakage. If fuel leakage is found, do not start or run the engine until leak is fixed.

Before Starting

Check that your power tool is properly assembled and in good condition – refer to appropriate chapters in the instruction manual.

- Check the fuel system for leaks, paying special attention to visible parts such as the tank cap, hose connections and the manual fuel pump (on machines so equipped). If

there are any leaks or damage, do not start the engine – **risk of fire.** Have your machine repaired by a servicing dealer before using it again.

- Use only an approved combination of cutting attachment, deflector, handle and harness. All parts must be assembled properly and securely.
- The stop switch must move freely.
- Check smooth action of choke knob, throttle trigger lockout and throttle trigger – the throttle trigger must return automatically to the idle position. The choke knob must spring back from the ▲ position to the run position I when the throttle trigger lockout and throttle trigger are squeezed.
- Check that the spark plug boot is secure – a loose boot may cause arcing that could ignite combustible fumes **and cause a fire.**
- Check cutting tool or attachment for correct and secure assembly and good condition.
- Check protective devices (e.g. deflector for cutting attachment, rider plate) for damage or wear. Always replace damaged parts. Do not operate your machine with a damaged deflector or worn rider plate (lettering and arrows no longer legible).
- Never attempt to modify the controls or safety devices in any way.

- Keep the handles dry and clean – free from oil and dirt – for safe control of the power tool.
- Adjust the harness and handle(s) to suit your height and reach. See chapters on "Fitting the Harness" and "Balancing the Machine".

To reduce the risk of accidents, do not operate your power tool if it is damaged or not properly assembled.

If you use a shoulder strap or full harness: Practice removing and putting down the power tool as you would in an emergency. To avoid damage, do not throw the power tool to the ground when practicing.

Starting the Engine

Start the engine at least 3 meters from the fueling spot, outdoors only.

Place the unit on firm ground in an open area. Make sure you have good balance and secure footing. Hold the unit securely. The cutting attachment must be clear of the ground and all other obstructions because it may begin to run when the engine starts.

Your power tool is a one-person unit. **To reduce the risk of injury** from thrown objects, do not allow other persons within a radius of 15 meters of your own position – even when starting.



To reduce the risk of injury, avoid contact with the cutting attachment.



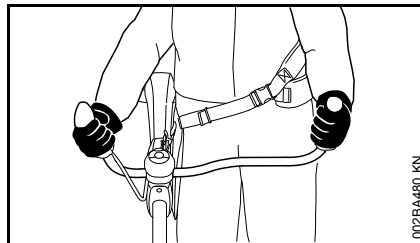
Do not drop start the power tool – start the engine as described in the instruction manual. Note that the cutting attachment continues to run for a short period after you let go of the throttle trigger – **flywheel effect**.

To reduce the risk of fire, keep hot exhaust gases and hot muffler away from easily combustible materials (e.g. wood chips, bark, dry grass, fuel).

Holding and Controlling the Unit

Always hold the power tool firmly with both hands on the handles.

Make sure you always have good balance and secure footing.

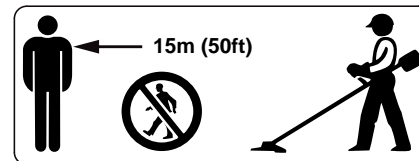


Right handle on control handle, left hand on left handle.

During Operation

Make sure you always have good balance and secure footing.

In the event of imminent danger or in an emergency, press the stop switch to shut off the engine.



The cutting attachment may catch and fling objects a great distance and cause injury - therefore, do not allow any other persons within a radius of 15 meters of your own position. **To reduce the risk of damage to property**, also maintain this distance from other objects (vehicles, windows). Even maintaining a distance of 15 meters or more cannot exclude the potential danger.

The correct engine idle speed is important to ensure that the cutting attachment stops rotating when you let go of the throttle trigger. If the cutting attachment continues to rotate when the engine is idling, have the machine checked by your servicing dealer. STIHL recommends a STIHL servicing dealer.

Take special care in slippery conditions (ice, wet ground, snow), on slopes or uneven ground.

Watch out for obstacles: Roots, tree stumps or holes which **could cause you to trip or stumble**.

Always stand on the ground while working, never on a ladder, work platform or any other insecure support.

Be particularly alert and cautious when wearing hearing protection because your ability to hear warnings (shouts, alarms, etc.) is restricted.

To reduce the risk of accidents, take a break in good time to avoid tiredness or exhaustion.

Work calmly and carefully – in daylight conditions and only when visibility is good. Stay alert so as not to endanger others.



Your power tool produces toxic exhaust fumes as soon as the engine is running. These fumes may be colorless and odorless and contain unburned hydrocarbons and benzol. Never run the engine indoors or in poorly ventilated locations, even if your model is equipped with a catalytic converter.

To reduce the risk of serious or fatal injury from breathing toxic fumes, ensure proper ventilation when working in trenches, hollows or other confined locations.

To reduce the risk of accidents, stop work immediately in the event of nausea, headache, visual disturbances (e.g. reduced field of vision), problems with hearing, dizziness, deterioration in ability to concentrate. Apart from other possibilities, these symptoms may be caused by an excessively high concentration of exhaust gases in the work area.

Operate your power tool so that it produces a minimum of noise and emissions – do not run the engine unnecessarily, accelerate the engine only when working.

To reduce the risk of fire, do not smoke while operating or standing near your power tool. Note that combustible fuel vapor may escape from the fuel system.

The dusts, vapor and smoke produced during operation may be dangerous to health. If the work area is very dusty or smoky, wear a respirator.

If your power tool is subjected to unusually high loads for which it was not designed (e.g. heavy impact or a fall), always check that it is in good condition before continuing work – see also "Before Starting".

Check the fuel system in particular for leaks and make sure the safety devices are working properly. Do not continue operating your power tool if it is damaged. In case of doubt, consult your servicing dealer.



To reduce the risk of injury from thrown objects, never operate the unit without the proper deflector for the type of cutting attachment being used.



Inspect the work area: Stones, pieces of metal or other solid objects may be thrown more than 15 meters and **cause personal injury** or damage the cutting attachment and property (e.g. parked vehicles, windows).



Special care must be taken when working in difficult, over-grown terrain.

When cutting high scrub, under bushes and hedges: Keep cutting attachment at a minimum height of 15 cm to avoid harming small animals.

Always shut off the engine before leaving the unit unattended.

Check the cutting attachment at regular short intervals during operation or immediately if there is a noticeable change in cutting behavior:

- Turn off the engine. Hold the unit firmly and wait for the cutting attachment to come to a standstill.
- Check condition and tightness, look for cracks.
- Check sharpness.
- Replace damaged or dull cutting attachments immediately, even if they have only superficial cracks.

Clean grass and plant residue off the cutting attachment mounting at regular intervals – remove any build up of material from the cutting attachment and deflector.

To reduce the risk of injury, shut off the engine before changing the cutting attachment.



The gearbox becomes hot during operation. **To reduce the risk of burn injury,** do not touch the gearbox housing.

Do not continue using or attempt to repair damaged or cracked cutting attachments by welding, straightening or modifying the shape (out of balance).

This may cause parts of the cutting attachment to come off and hit the operator or bystanders at high speed and **result in serious or fatal injuries.**

Using metal cutting attachments

STIHL recommends the use of original STIHL metal cutting attachments. They are specifically designed to match your model and meet your performance requirements.

Metal cutting attachments rotate at very high speed. The forces that occur act on the machine, the attachment and the material being cut.

Sharpen metal cutting attachments regularly as specified.

Unevenly sharpened metal cutting attachments cause out-of-balance which can impose extremely high loads on the machine and increase the **risk of breakage**.

Dull or improperly sharpened cutting edges can put a higher load on the cutting attachment and increase the **risk of injury** from cracked or broken parts.

Inspect metal cutting attachments for cracks or warping after every contact with hard objects (e.g. stones, rocks, pieces of metal). **To reduce the risk of injury**, remove burrs and other visible build-ups of material (use a file) because they may become detached and be thrown at high speed during operation.

If a rotating metal cutting attachment makes contact with a rock or other solid object there is a risk of sparking which may cause easily combustible material to catch fire under certain circumstances. Dry plants and scrub are also easily combustible, especially in hot and dry weather conditions. If there is a risk of fire, do not use metal cutting attachments near combustible

materials, dry plants or scrub. Always contact your local forest authority for information on a possible fire risk.

To reduce the above-mentioned risks when using a metal cutting attachment, never use a metal cutting attachment with a diameter larger than specified. It must not be too heavy. It must be manufactured from materials of adequate quality and its geometry must be correct (shape, thickness).

To reduce the risk of injury, a metal cutting attachment not manufactured by STIHL must not be heavier, thicker, have a different shape or a diameter larger than the largest metal cutting attachment approved by STIHL for this power tool model.

Vibrations

Prolonged use of the power tool may result in vibration-induced circulation problems in the hands (whitefinger disease).

No general recommendation can be given for the length of usage because it depends on several factors.

The period of usage is prolonged by:

- Hand protection (wearing warm gloves)
- Work breaks

The period of usage is shortened by:

- Any personal tendency to suffer from poor circulation (symptoms: frequently cold fingers, tingling sensations).
- Low outside temperatures.
- The force with which the handles are held (a tight grip restricts circulation).

Continual and regular users should monitor closely the condition of their hands and fingers. If any of the above symptoms appear (e.g. tingling sensation in fingers), seek medical advice.

Maintenance and Repairs

Service the machine regularly. Do not attempt any maintenance or repair work not described in the instruction manual. Have all other work performed by a servicing dealer.

STIHL recommends that you have servicing and repair work carried out exclusively by an authorized STIHL servicing dealer. STIHL dealers are regularly given the opportunity to attend training courses and are supplied with the necessary technical information.

Only use high-quality replacement parts in order to avoid the risk of accidents and damage to the machine. If you have any questions in this respect, consult a servicing dealer.

STIHL recommends the use of original STIHL replacement parts. They are specifically designed to match your model and meet your performance requirements.

To reduce the risk of injury from unintentional engine startup, **always shut off the engine and disconnect the spark plug boot** before performing any repairs, maintenance or cleaning work. – Exception: Carburetor and idle speed adjustments.

Do not turn the engine over on the starter with the spark plug boot or spark plug removed since there is otherwise a **risk of fire** from uncontained sparking.

To reduce the **risk of fire**, do not service or store your machine near open flames.

Check the fuel filler cap for leaks at regular intervals.

Use only a spark plug of the type approved by STIHL and make sure it is in good condition – see "Specifications".

Inspect the ignition lead (insulation in good condition, secure connection).

Check the condition of the muffler.

To reduce the **risk of fire and damage to hearing**, do not operate your machine if the muffler is damaged or missing. –

Do not touch a hot muffler since **burn injury** will result.

Vibration behavior is influenced by the condition of the AV elements – check the AV elements at regular intervals.

Maintenance, replacement, or repair of the emission control devices and systems may be performed by any nonroad engine repair establishment or individual. However, if you make a warranty claim for a component which has not been serviced or maintained properly or if nonapproved replacement parts were used, STIHL may deny coverage.

For any maintenance please refer to the maintenance chart and to the warranty statement near the end of the instruction manual.

Symbols on Deflectors

An **arrow** on the deflector shows the correct direction of rotation of the cutting attachments.

Some of the following symbols are applied to the outside of the deflector to indicate the approved combination of cutting attachment and deflector.



Deflector may be used with mowing heads.



Deflector may be used with grass cutting blades.



Deflector may be used with brush knives.



Deflector may be used with shredder blades.



Deflector must not be used with mowing heads.



Deflector must not be used with grass cutting blades.



Deflector must not be used with brush knives.



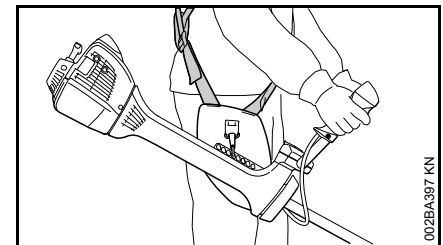
Deflector must not be used with shredder blades.



Deflector must not be used with circular saw blades.

Harness

The harness is included with the machine or available as a special accessory.



- Use the harness.
- With the engine running, attach the machine to the harness.

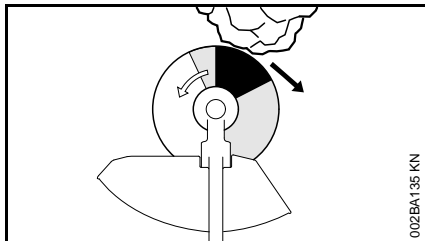
Circular saw blades must always be used in combination with a full harness with a quick-release system.

Risk of Kickout (Blade Thrust) with Metal Cutting Attachments

! WARNING



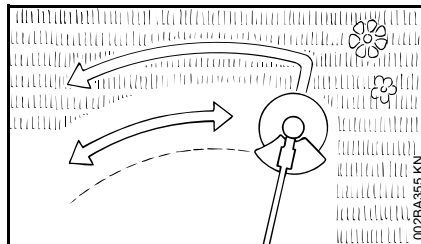
When using metal cutting attachments there is a risk of kickout when the rotating blade comes into contact with a solid object such as a tree trunk, branch, tree stump, rock or similar. The machine is thrown to the right or to the rear – opposite to the attachment's direction of rotation.



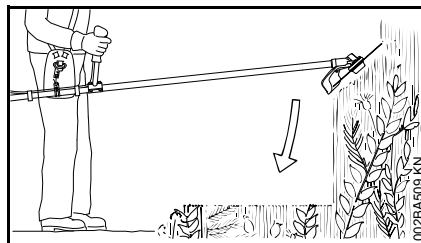
The **risk of kickout is greatest** when the **black area** of the rotating cutting attachment comes into contact with a solid object.

Brush Knife

For cutting matted grass, wild growth and scrub and thinning young stands with a stem diameter of no more than 2 cm – do not cut thicker stems – **risk of accidents.**



Use the brushcutter like a scythe (sweep it to the right and left) at ground level when cutting grass and thinning young stands.



To cut wild growth and scrub, lower the brush knife down onto the growth to achieve a shredding effect – always keep the cutting attachment below hip level during this process.

Exercise extreme caution when using this method of cutting. The higher the cutting attachment is off the ground, the greater the risk of injury from cuttings being thrown sideways.

Warning! Improper use of a brush knife may cause it to crack, chip or shatter – **risk of injury** from thrown parts.

To reduce the risk of injury it is essential to take the following precautions:

- Avoid contact with stones, rocks, pieces of metal and other solid foreign objects.
- Never cut wood or shrubs with a stem diameter of more than 2 cm – use a circular saw blade for such work.
- Inspect the brush knife at regular short intervals for signs of damage. Do not continue working with a damaged brush knife.
- Resharpener the brush knife regularly and whenever it has dulled noticeably, and have it balanced if necessary (STIHL recommends a STIHL servicing dealer).

Circular Saw Blade

Suitable for cutting shrubs and trees with a maximum stem diameter of 7 cm.

Before starting the cut, accelerate the engine up to full throttle. Perform cut with uniform pressure.

Use circular saw blades only with a matching limit stop of the correct diameter.

! WARNING

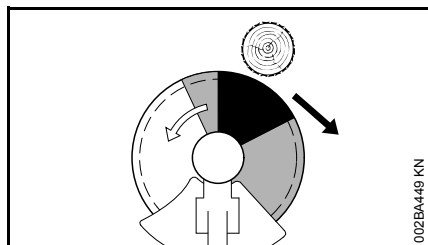
To reduce the risk of blade damage, avoid contact with stones and the ground. Resharpener the blade properly in

English

good time – dull teeth may result in the blade cracking and shattering and causing serious injury.

When felling, maintain a distance of at least two tree lengths from the next felling site.

Risk of kickout


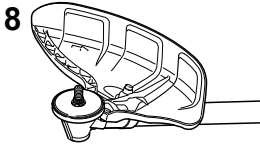
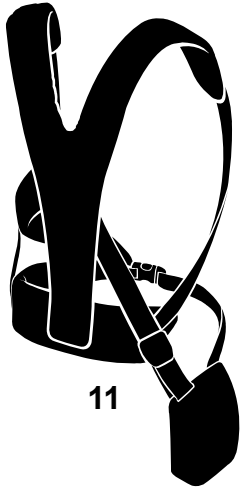

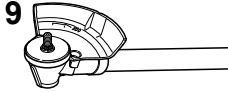
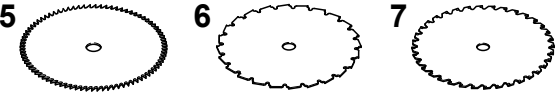
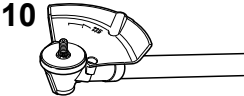


The risk of kickout is highest in the black area of the blade: Do not use this area of the circular saw blade for cutting.

There is also a risk of kickout when using the lighter shaded areas of the blade: These areas of the blade should only be used by experienced operators with specialized training.

STIHL recommends that you use the non-shaded area of the circular saw blade. Always start the cut with this area of the blade.

Approved Combinations of Cutting Attachment, Deflector, Limit Stop and Harness

| Cutting Attachment | Deflector, Limit Stop | Harness |
|---|--|---|
|  |  |  |
|  |  | |
|  |  | |

681BA200 KN

Approved Combinations

Select correct combination from the table according to the cutting attachment you intend to use.

WARNING

For safety reasons only the cutting attachments and deflectors or limit stops shown in each row of the table may be used together. No other combinations are permitted because of the **risk of accidents**.

Cutting Attachments

Metal cutting attachments

- 1 Brush knife 305-2 Spezial (305 mm dia.)
- 2 Brush knife 300-3 (300 mm dia.)
- 3 Scratcher tooth circular saw blade 200 (200 mm dia.)
- 4 Chisel tooth circular saw blade 200-22 (4119), chisel tooth circular saw blade 200-22 HP (4000)

- 5 Scratcher tooth circular saw blade 225 (225 mm dia.)
- 6 Chisel tooth circular saw blade 225 (225 mm dia.)
- 7 Carbide tipped circular saw blade 225 (225 mm dia.)

WARNING

Non-metal brush knives and circular saw blades are not approved.

Deflector, Limit Stops

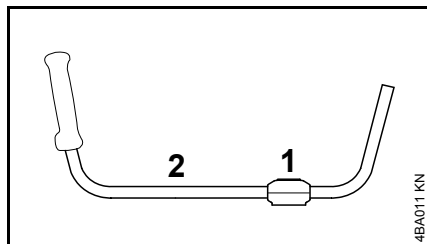
- 8 Deflector for metal cutting attachments, items 1 to 2
- 9 Limit stop for circular saw blades, items 3 and 4
- 10 Limit stop for circular saw blades, items 5 and 7

Harness

- 11 Full harness must be used

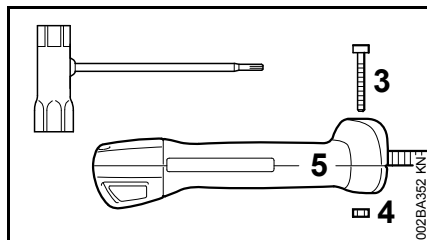
Mounting the Bike Handle

Mounting the bike handle with swiveling handle support

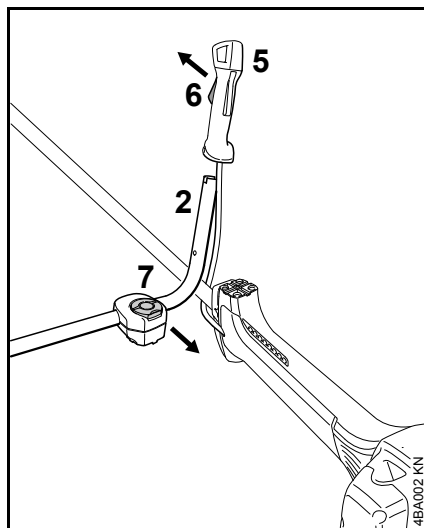


The machine is supplied with the clamp moldings (1) mounted to the handlebar (2).

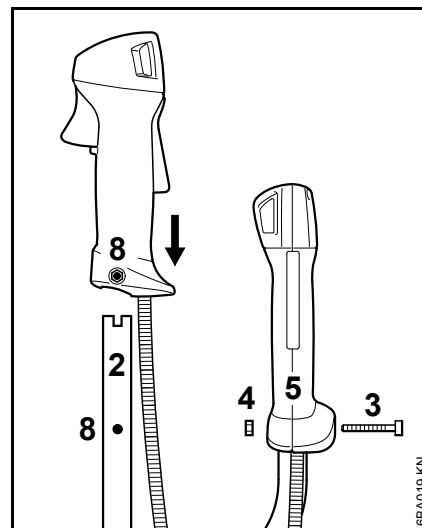
Mounting the control handle



- Take out the screw (3) and remove the nut (4) from the control handle (5).



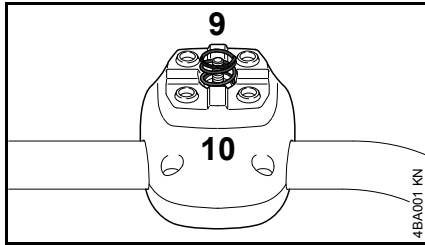
- Line up the control handle (5) relative to the handlebar (2): The throttle trigger (6) must point toward the gearbox and the clamp screw (7) toward the engine.



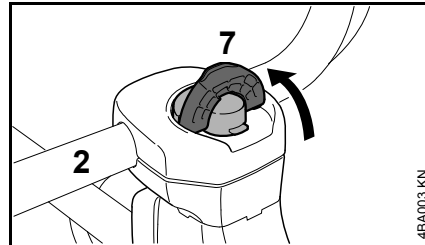
- Holding the control handle (5) in that position, push it on to the end of the handlebar (2) and line up the holes (8).
- Fit the nut (4) in the control handle (5), insert the screw (3) and tighten it down firmly.

Assembling the handle support

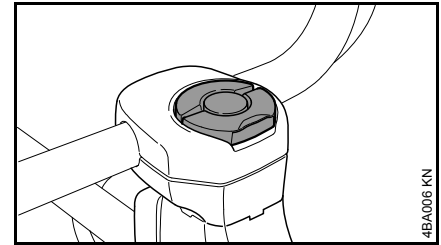
Assembly of the swivelling handle support involves equipping the clamp moldings with a spring and mounting them on the handle support.



- Use the spring (9) from the parts kit supplied with the machine.
- Place the spring (9) in the lower clamp molding (10).



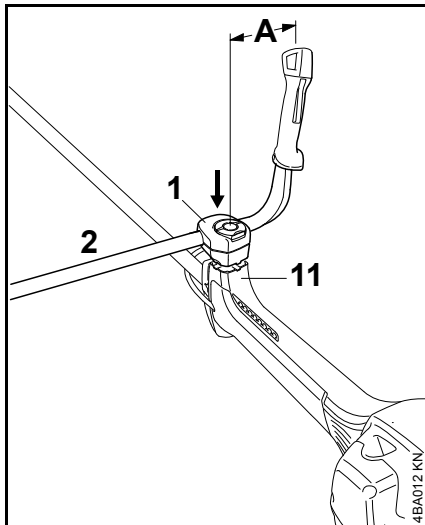
- Raise the grip of the wing screw (7) to the upright position.
- Turn the wing screw counterclockwise as far as stop.
- Push the wing screw into the handle support as far as stop and then screw it down – but do not finally tighten yet.
- Adjust the handlebar (2) so that distance A is no more than 15 cm.
- Line up the handlebar at a right angle to the drive tube.



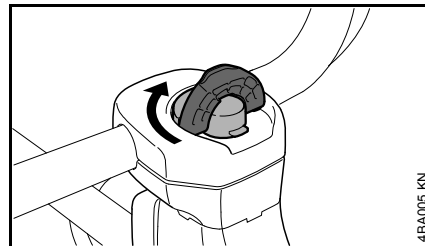
- Fold the grip of the wing screw down so that it is flush.

Adjusting the handlebar

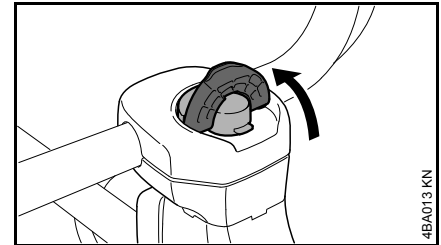
Opening the wing screw



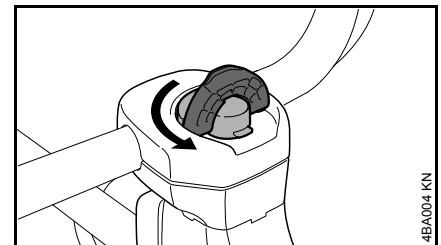
- Position the clamp moldings (1) with handlebar (2) on the handle support (11).



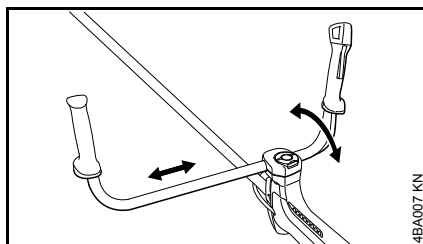
- Turn the wing screw clockwise as far as stop.



- Raise the grip of the wing screw to the upright position.

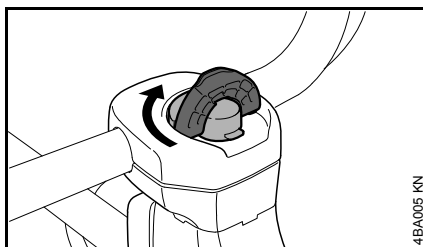


- Turn the wing screw counterclockwise until the handle support can be moved.

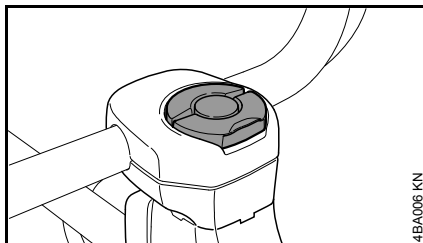


- Move the handlebar to the required position.

Closing the wing screw



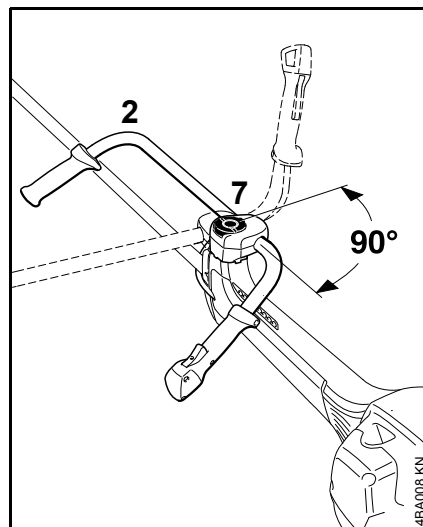
- Turn the wing screw clockwise as far as stop.



- Fold the grip of the wing screw down so that it is flush.

Swiveling the handlebar

Transport position



- Loosen the wing screw (7) and unscrew it until the handlebar (2) can be turned clockwise.
- Turn the handlebar 90° and then swing the handles down.
- Tighten down the wing screw (7) firmly.

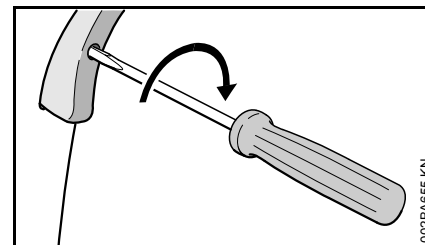
Working position

- Reverse the sequence described above to swing the handles up and turn the handlebar counterclockwise.

Adjusting the Throttle Cable

It may be necessary to correct the adjustment of the throttle cable after assembling the machine or after a prolonged period of operation.

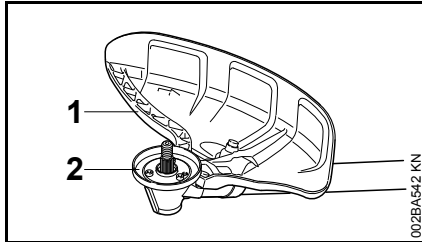
Adjust the throttle cable only when the unit is completely and properly assembled.



- Set the throttle trigger to the full throttle position.
- Carefully rotate the screw in the throttle trigger in the direction of the arrow until you feel initial resistance. Then rotate it another half turn in the same direction.

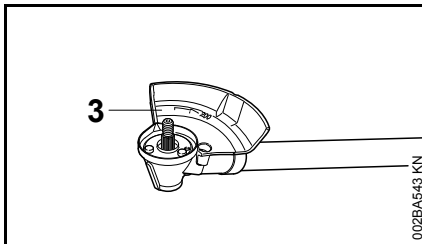
Mounting the Deflector

Use the Right Deflector



! WARNING

The deflector (1) is approved for brush knives only and must therefore be mounted before fitting a brush knife. It is also necessary to change the guard ring ((2), see "Mounting the Cutting Attachment" / "Mounting Mowing Attachments").

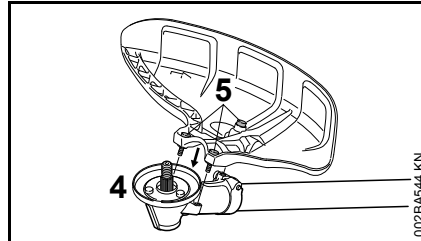


! WARNING

Stop (3) is approved for circular saw blades only and must therefore be mounted before fitting a circular saw blade.

Mounting the Deflector

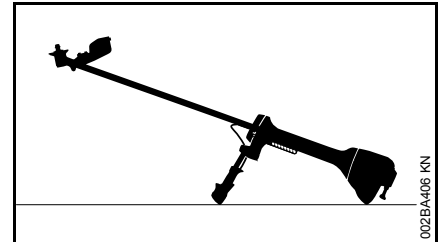
Deflectors (1 and 3) are mounted to the gearbox in the same way.



- Remove dirt from joints on gearbox and deflector – make sure that no dirt gets into the screw holes in the gearbox.
- Place the deflector on the gearbox (4).
- Insert the screws (5) and tighten them down firmly.

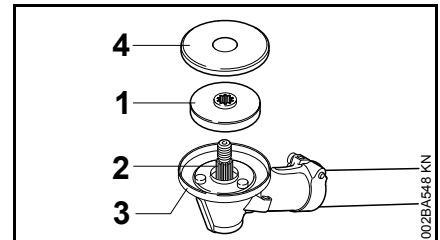
Mounting the Cutting Attachment

Placing power tool on the ground



- Shut off the engine.
- Lay your power tool on its back so that the cutting attachment mounting face is pointing up.

Fitting the Thrust Plate



- Slip the thrust plate (1) over the shaft (2).

Your power tool comes from the factory with a guard ring (3) for circular saw blades.

**NOTICE**

The thrust plate (1) is required for mounting all cutting attachments to the gearbox.

**NOTICE**

The guard washer (4) is required for mounting brush knives.

Cleaning Gearbox Mounting Hardware for Cutting Attachment

**NOTICE**

Check inside of guard ring (3) and area around it for dirt at regular intervals, or when you change the cutting attachment, and clean if necessary.

The guard washer (4) is not fitted with circular saw blades.

- Pull the guard washer (4) and thrust plate (1) off the shaft.
- Thoroughly clean the guard ring (3), shaft (2), thrust plate (1) and guard washer (4) – do not remove the guard ring.

Mounting the Guard Ring

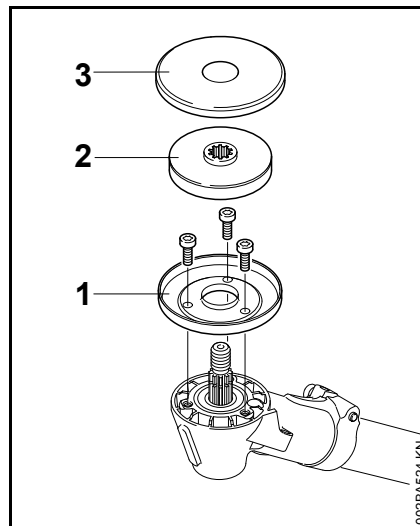
Always fit the guard ring that matches the cutting attachment you intend to use.

Recommendation: The guard ring must be mounted with particular care. Have this work performed by your servicing dealer. STIHL recommends a STIHL servicing dealer.

The following guard rings are either fitted to the gearbox or are available as special accessories.

Guard ring for mowing applications

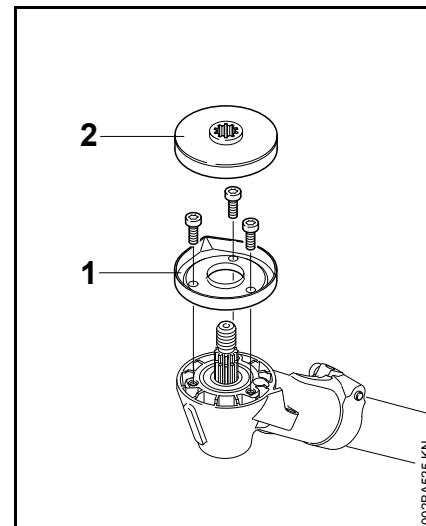
A limit stop kit, which includes a deflector, a guard washer and guard ring for mowing attachments, is available as a special accessory for mounting brush knives.



For optimum protection from the ingress of grass when using **mowing attachments**:

- Mount the guard ring (1) for mowing applications.
- Fit the thrust plate (2) and the guard washer (3).

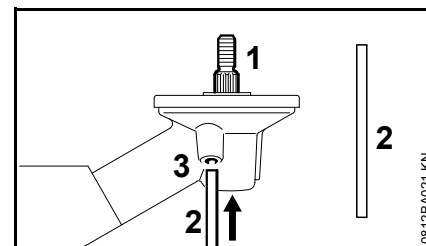
Guard ring for sawing applications



For circular saw blades

- Fit the guard ring (1) for sawing applications.
- Fit the thrust plate (2).

Blocking the Shaft



The output shaft (1) must be blocked with the stop pin (2) to mount or remove cutting attachments. The stop pin is included with the machine and is available as a special accessory.

- Insert the stop pin (2) in the bore (3) in the gearbox as far as stop, apply slight pressure.
- Rotate shaft or cutting attachment until the stop pin slips into position and blocks the shaft.

Mounting the Cutting Attachment

! WARNING

Use a deflector that matches the cutting attachment – see "Mounting the Deflector".

Removing and Installing Metal Cutting Attachments

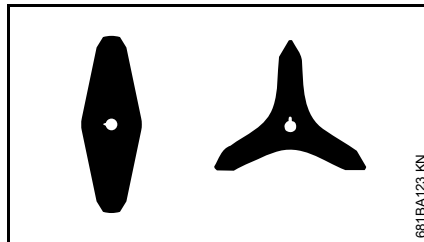
Before removing and installing metal cutting attachments:

! WARNING

Wear protective gloves to reduce the risk of direct contact with the sharp cutting edges.

Brush knife 305-2 and 300-3

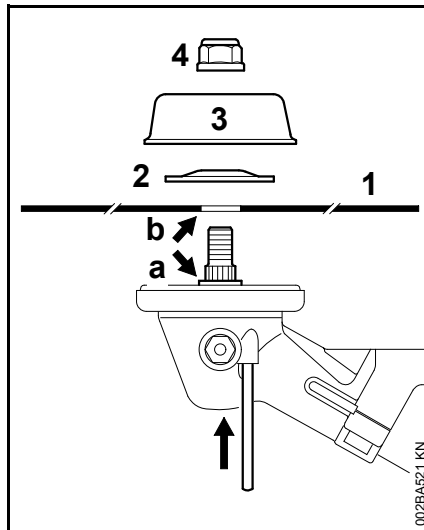
Aligning the cutting attachment



Cutting attachments with 2, 3 or 3 teeth may point in either direction – these cutting attachments must be turned over regularly to help avoid one-sided wear.

Mounting the cutting attachment

- Fit the guard ring for mowing applications.



- Place the cutting attachment (1) in position.

! WARNING

Collar (a) must locate in the cutting attachment's mounting hole (b).

Securing the cutting attachment

- Fit the thrust washer (2) – convex side must face up.
- Fit the rider plate (3) (for mowing applications).
- Block the shaft.
- Screw the mounting nut (4) on to the shaft counterclockwise and tighten it down firmly.

! WARNING

If the mounting nut has become too loose, fit a new one.



NOTICE

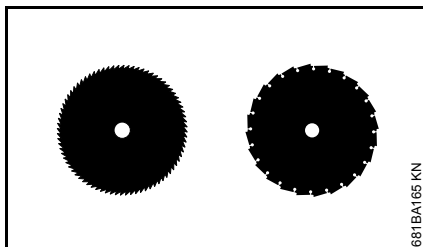
Remove the tool used to block the shaft.

Removing the cutting attachment

- Block the shaft.
- Unscrew the mounting nut clockwise.
- Pull the cutting attachment with its mounting hardware off the gearbox.

Circular Saw Blades 200 and 225

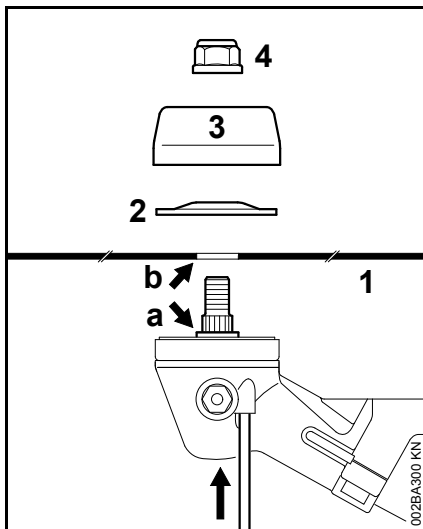
Aligning the cutting attachment



Cutting edges of circular saw blades must point clockwise.

Mounting the cutting attachment

- Fit the guard ring for sawing applications.



- Place the cutting attachment (1) in position.

! WARNING

Collar (a) must locate in the cutting attachment's mounting hole (b).

Securing the cutting attachment

- Fit the thrust washer (2) – convex side must face up.
- Fit the rider plate (3) (for sawing applications).
- Block the shaft.
- Fit the nut (4) counterclockwise and tighten it down firmly.

! WARNING

If the mounting nut has become too loose, fit a new one.

⚙ NOTICE

Remove the tool used to block the shaft.

Removing the cutting attachment

- Block the shaft.
- Unscrew the mounting nut clockwise.
- Pull the cutting attachment with its mounting hardware off the gearbox.

Fuel

This engine is certified to operate on unleaded gasoline and with the mix ratio 50:1.

Your engine requires a mixture of high-quality premium gasoline and high-quality two-stroke air-cooled engine oil.

Use premium branded unleaded gasoline with a minimum octane rating of 89 (R+M)/2.

Note: Models equipped with a **catalytic converter** require **unleaded** gasoline. A few tankfuls of leaded gasoline can reduce the efficiency of the catalytic converter by more than 50%.

Fuel with a lower octane rating may result in preignition (causing "pinging") which is accompanied by an increase in engine temperature. This, in turn, increases the risk of the piston seizure and damage to the engine.

The chemical composition of the fuel is also important. Some fuel additives not only detrimentally affect elastomers (carburetor diaphragms, oil seals, fuel lines etc.), but magnesium castings as well. This could cause running problems or even damage the engine. For this reason it is essential that you use only high-quality fuels!

Fuels with different percentages of ethanol are being offered. Ethanol can affect the running behaviour of the engine and increase the risk of lean seizure.

Gasoline with an ethanol content of more than 10% can cause running problems and major damage in engines with a manually adjustable carburetor and should not be used in such engines.

Engines equipped with M-Tronic can be run on gasoline with an ethanol content of up to 25% (E25).

Use only STIHL two-stroke engine oil or equivalent high-quality two-stroke air-cooled engine oils for mixing.

We recommend STIHL 50:1 two-stroke engine oil since it is specially formulated for use in STIHL engines.

To ensure the maximum performance of your STIHL engine, use a high quality 2-cycle engine oil. To help your engine run cleaner and reduce harmful carbon deposits, STIHL recommends using STIHL HP Ultra 2-cycle engine oil or ask your dealer for an equivalent fully synthetic 2-cycle engine oil.

To meet the requirements of EPA and CARB we recommend to use STIHL HP Ultra oil.

Do not use BIA or TCW (two-stroke water cooled) mix oils!

Use only **STIHL 50:1 heavy-duty engine oil** or an equivalent quality two-stroke engine oil for the fuel mix in models equipped with a **catalytic converter**.

Take care when handling gasoline. Avoid direct contact with the skin and avoid inhaling fuel vapour.

The canister should be kept tightly closed in order to avoid any moisture getting into the mixture.

The fuel tank and the canister in which fuel mix is stored should be cleaned from time to time.

Fuel mix ratio

Only mix sufficient fuel for a few days work, not to exceed 30 days of storage. Store in approved safety fuel-canisters only. When mixing, pour oil into the canister first, and then add gasoline.

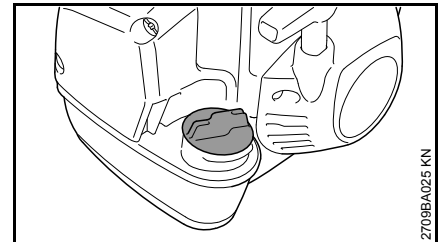
Examples

| Gasoline | Oil (STIHL 50:1 or equivalent high-quality oils) | |
|----------|--|-------|
| liters | liters | (ml) |
| 1 | 0.02 | (20) |
| 5 | 0.10 | (100) |
| 10 | 0.20 | (200) |
| 15 | 0.30 | (300) |
| 20 | 0.40 | (400) |
| 25 | 0.50 | (500) |

Dispose of empty mixing-oil canisters only at authorized disposal locations.

Fueling

Fuel Filler Cap

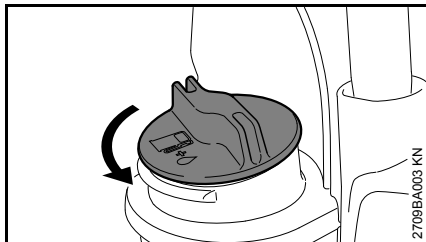


WARNING

When fueling on a slope, always position the machine with the filler cap facing uphill.

- Place the machine on level ground so that the filler cap is facing up.
- Before fueling, clean the filler cap and the area around it to ensure that no dirt falls into the tank.

Opening the filler cap



- Turn the cap counterclockwise until it can be removed from the tank opening.
- Remove the cap.

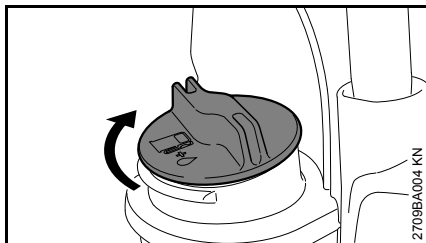
Filling Up with Fuel

Take care not to spill fuel while fueling and do not overfill the tank.

STIHL recommends you use the STIHL filler nozzle for fuel (special accessory).

- Fill up with fuel.

Closing the filler cap



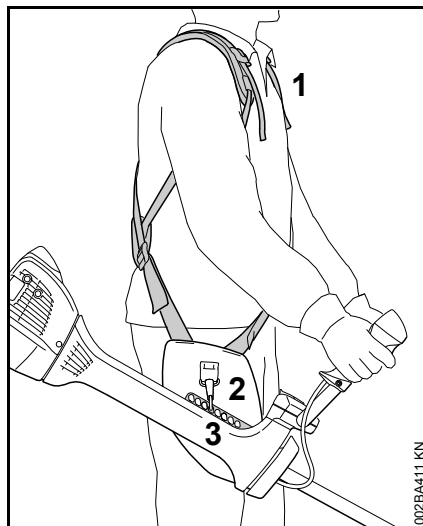
- Place the cap in the opening.
- Turn the cap clockwise as far as stop and tighten it down as firmly as possible by hand.

Fitting the Full Harness

Fitting the full harness is described in detail in the leaflet supplied with the harness.

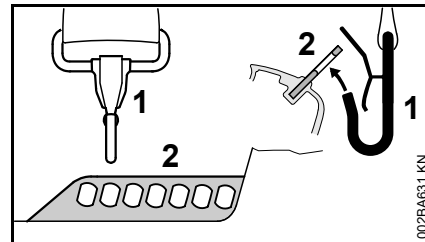
The type and style of the harness depend on the market.

Fitting the Harness



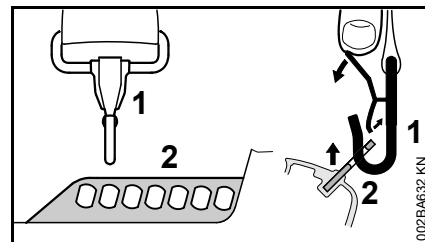
- Put on the full harness (1).
- Adjust the length of the strap so that the carabiner (2) is about a hand's width below your right hip.
- Attach the carabiner to the machine's perforated rail (3) – see "Attaching Machine to Harness".
- Find the right attachment point for the cutting attachment you are using – see "Balancing the Machine".

Attaching Machine to Harness



- Attach the carabiner (1) to the perforated rail (2) on the drive tube.

Disconnecting Machine from Harness



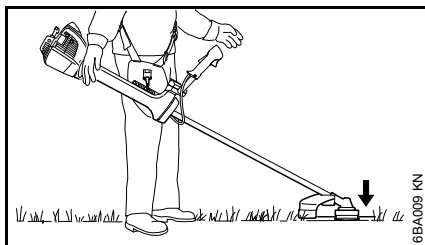
- Press down the bar on the carabiner (1) and pull the perforated rail (2) out of the carabiner.

Balancing the Machine

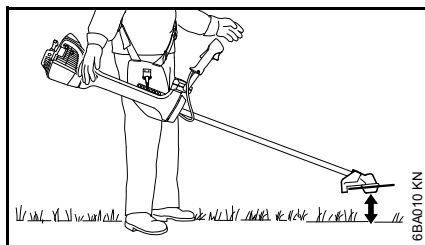
The unit is balanced differently depending on the cutting attachment used.

- With the unit suspended from the harness, see how it is balanced and change attachment point as necessary:

Floating Positions



Brush knives should just touch the ground.



Circular saw blades should "hover" about 20 cm above the ground.

Throwing Off Machine

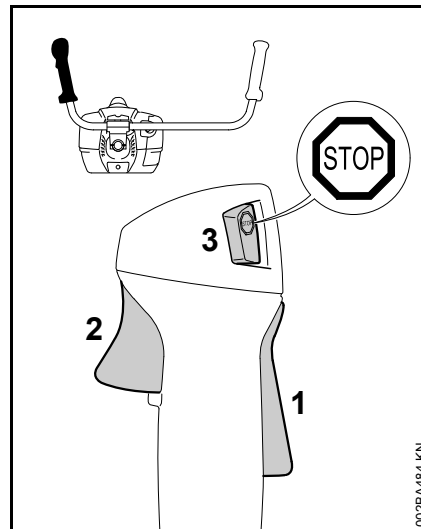


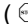
WARNING

The machine must be quickly thrown off in the event of imminent danger. Practice removing and putting down the power tool as you would in an emergency. To avoid damage, do not throw the power tool to the ground when practicing.

Starting / Stopping the Engine

Controls

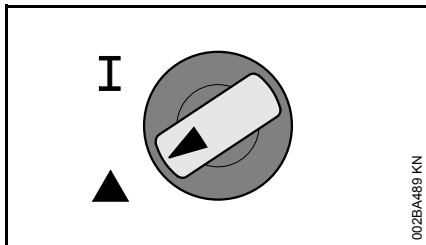


- 1 Throttle trigger lockout
- 2 Throttle trigger
- 3 Stop switch with **Run** and **Stop** positions. Depress the stop switch () to switch off the ignition.

Function of stop switch and ignition system

The stop switch is normally in the Run position, i.e. when it is **not** depressed: The ignition is switched on – the engine is ready to start. Operate the stop switch to switch off the ignition. The ignition is switched on again automatically after the engine stops.

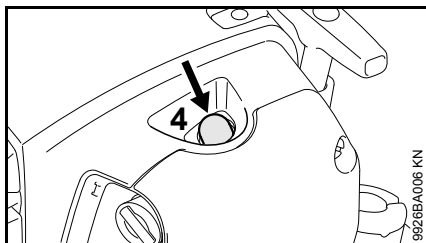
Symbols on choke knob



Run position I – a hot engine is started in this position or the engine runs in this position.

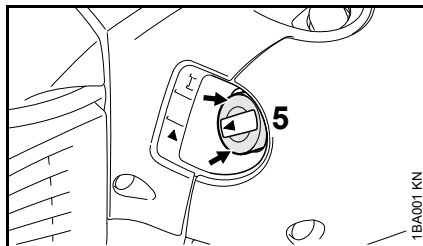
Start position ▲ – a cold engine is started in this position.

Starting the Engine



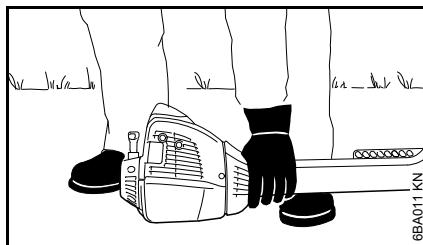
- Press the manual fuel pump bulb (4) at least five times – even if the bulb is filled with fuel.

The choke knob is in the normal run position I.



- If the engine is cold: Depress in the outer edge (arrows) of the choke knob (5) and then turn it to Start ▲.

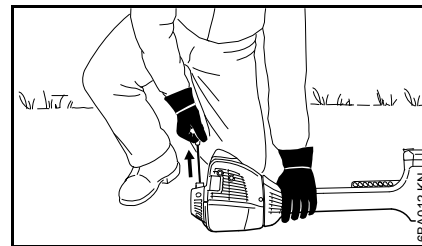
Cranking



- Place the unit on the ground: It must rest securely on the engine's guard plate and the deflector. Check that the cutting attachment is not touching the ground or any other obstacles.
- Make sure you have a firm footing, either standing, stooping or kneeling.
- Hold the unit **firmly** on the ground with your left hand and press down – do not touch the throttle trigger or lockout lever.



Do not stand or kneel on the drive tube.



- Hold the starter grip with your right hand.
- Pull the starter grip steadily.

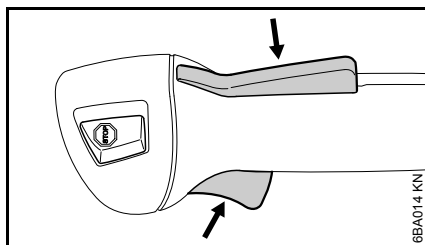


Do not pull out the starter rope all the way – **it might otherwise break.**

- Do not let the starter grip snap back. Guide it slowly back into the housing so that the starter rope can rewind properly.
- Continue cranking until the engine runs.
- If the engine does not start: Turn the choke knob to the start position ▲ and repeat starting procedure.

Using the machine

If you have started the machine for the first time, refer to the notes on "Starting for first time" in section "Other Hints on Starting".



- If the engine was started in the start position ▲: Briefly press down the trigger lockout and the pull the throttle trigger at the same time – the choke knob moves to the run position (I) and the engine settles down to idling speed.

Your machine is now ready for operation.

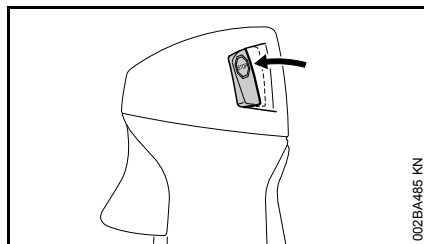
! WARNING

The cutting attachment must not rotate in the Run I position with the engine at idling speed.

If the cutting attachment rotates when the engine is idling, refer to notes in chapter on "Adjusting the Throttle Cable" or have the machine serviced by your dealer. STIHL recommends an authorized STIHL servicing dealer.

- Attach the machine to the shoulder strap.
- Machine is ready for use.

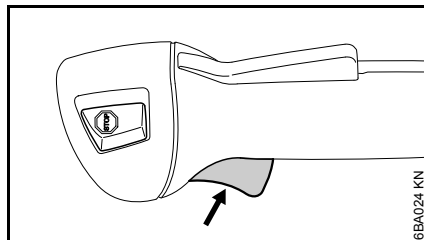
Stopping the Engine



- Depress the momentary contact stop switch – the engine stops – release the stop switch – it springs back to the run position.

Other Hints on Starting

Starting for first time



- Depress the throttle trigger – **do not** press down the throttle trigger lockout.

If engine speed increases or the cutting attachment rotates:

- Go to section "Stopping the Engine".
- Go to "Adjusting the Throttle Cable".

If the engine speed does not increase, your machine is ready for operation.

At very low outside temperatures

- Set the engine to winter operation if necessary, see "Winter Operation".
- If the machine is very cold (frost on machine), allow the engine to warm up in the Start ▲ position after starting until normal operating temperature is reached. Warning: The cutting attachment runs.

If the engine does not start

- Check that all settings are correct.
- Check that there is fuel in the tank and refuel if necessary.
- Check that the spark plug boot is properly connected.
- Repeat the starting procedure.

Engine is flooded

- Move the choke lever to I and continue cranking until the engine runs.

Fuel tank run until completely dry

- After refueling, press the manual fuel pump bulb at least five times – even if the bulb is filled with fuel.
- Now start the engine.

Operating Instructions

During break-in period

A factory-new machine should not be run at high revs (full throttle off load) for the first three tank fillings. This avoids unnecessary high loads during the break-in period. As all moving parts have to bed in during the break-in period, the frictional resistances in the engine are greater during this period. The engine develops its maximum power after about 5 to 15 tank fillings.

During Operation

After a long period of full throttle operation, allow the engine to run for a short while at idle speed so that engine heat can be dissipated by the flow of cooling air. This protects engine-mounted components (ignition, carburetor) from thermal overload.

After Finishing Work

Storing for a short period: Wait for the engine to cool down. Empty the fuel tank and keep the machine in a dry place, well away from sources of ignition, until you need it again. For longer out-of-service periods – see "Storing the Machine".

Air filter

General Information

The filter has a very long service life.

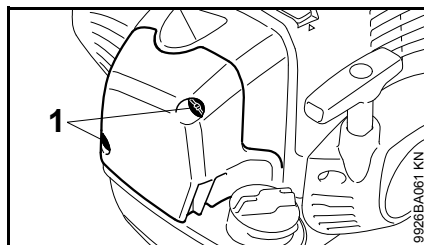
Do not remove the filter cover or replace the air filter as long as there is no noticeable loss of power.

Dirty air filters reduce engine power, increase fuel consumption and make starting more difficult.

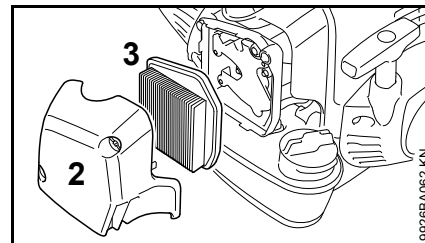
Replacing the Air Filter

Only if there is a noticeable loss of engine power

- Set the choke knob to ▲.



- Loosen the screws (1).



- Remove the filter cover (2).
- Clean away loose dirt from around the filter (3) and inside the filter cover.

The air filter (3) is a pleated paper filter element.

- Remove and check the filter element (3) – replace if paper or frame is dirty or damaged.
- Unpack the new filter.



NOTICE

Do not bend or twist the filter before installation as it might otherwise be damaged – do not use damaged filters.

- Fit the filter in the filter housing.
- Fit the filter cover.

Use only high quality air filters to ensure the engine is protected from abrasive dust.

STIHL recommends you use only original STIHL air filters. The high quality standard of these parts guarantees trouble-free operation, a long engine life and very long filter service lives.

Filter Element for Winter Operation

Maintenance and care of the special filter element for winter operation are described in the chapter on "Winter Operation".

Engine Management

Exhaust emissions are controlled by the design of the engine and components (e.g. carburation, ignition, timing and valve or port timing).

M-Tronic

General Information

The M-Tronic controls fuel feed and ignition timing electronically in all operating conditions.

M-Tronic guarantees simple and fast starts. The engine is started in the Start ▲ position irrespective of climatic conditions or engine temperature. After starting, the Start ▲ position can be maintained until the engine runs smoothly.

M-Tronic ensures optimum engine power at all times, very good acceleration and automatic adjustment to suit changing conditions.

For this reason there is no need to change the carburetor setting – the carburetor has no adjusting screws.

If the usual good running behavior and engine power are not reached after an extreme change in operating conditions, contact your servicing dealer for assistance.

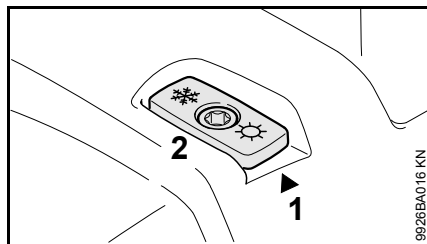
STIHL recommends that you have servicing and repair work carried out exclusively by an authorized STIHL servicing dealer.

Winter Operation

At temperatures below +10°C

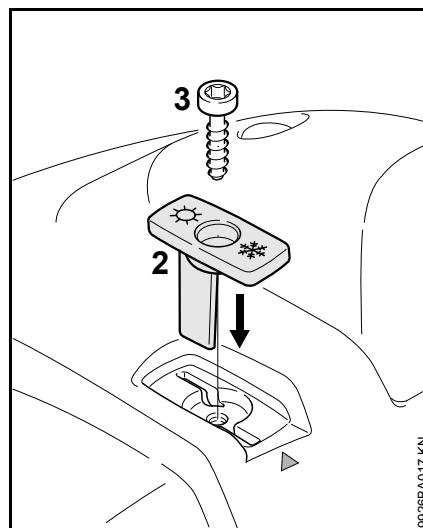
Preheating the carburetor

Repositioning a shutter allows heated air to be drawn in from around the cylinder and mixed with cold air – this helps prevent carburetor icing.



An arrow (1) on the shroud indicates the setting of the shutter (2) for summer or winter operation. Meaning of symbols:

- "Sun" = summer operation
- "Snowflake" = winter operation

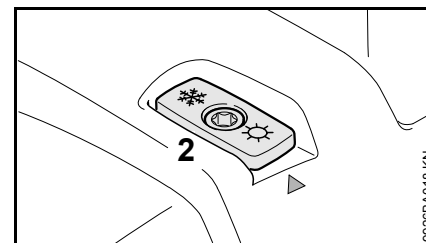


- Remove the screw (3) from the shutter.
- Pull the shutter (2) out of the shroud.
- Rotate the shutter (2) from the summer position to the winter position and refit it.
- Secure the shutter in position with the screw (3).

At temperatures between +10°C and +20°C

The machine can normally be operated in this temperature range with the shutter (2) in the summer position. Change the position of the shutter if necessary.

At temperatures above +20°C



- Always return the shutter (2) to the summer position.

NOTICE

Do not operate the machine in the winter position at temperatures above +20°C because there is otherwise a risk of engine running problems and overheating.

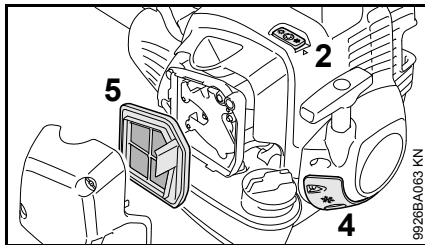
At temperatures below -10°C

In extreme wintry conditions

- Temperatures below -10°C
- Powder or drifting snow

it is advisable to use the optional "cover plate kit".

Two different cover plate kits are available to suit the different tank caps.



The cover plate kits contain the following parts for converting the power tool:

- 4 Cover plate partially blanks off the slots in the starter housing
- 5 Synthetic fabric filter element for the air filter
- Instructions for converting the machine

For machines with tank cap with hinged grip:

- O-ring for the tank filler cap

After installing the cover plate kit:

- Set the shutter (2) to the winter position.

At temperatures above -10°C

- Remove the parts of the cover plate kit and refit the standard parts for summer operation.

Note for machines with tank cap with hinged grip: The O-ring supplied with the cover plate kit can be left on the machine's tank cap.

Depending on the ambient temperature:

- Set the shutter (2) to the summer or winter position.

Cleaning the Air Filters

- Loosen filter cover mounting screws.
- Remove the filter cover.
- Clean away loose dirt from around the filter (5) and inside the filter cover.
- Knock the filter (5) out on the palm of your hand or blow it clear with compressed air from the inside outwards.

In case of stubborn dirt or sticky filter fabric:

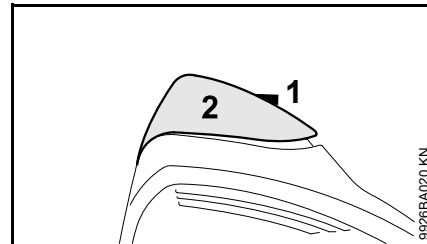
- Wash the filter in a clean, non-flammable solution (e.g. warm soapy water) and then dry.

Always replace a damaged filter.

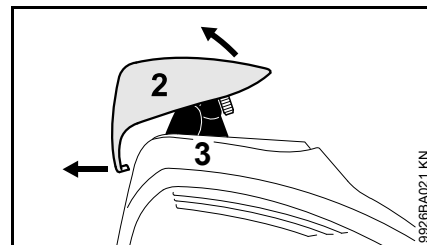
Spark Plug

- If the engine is down on power, difficult to start or runs poorly at idle speed, first check the spark plug.
- Fit a new spark plug after about 100 operating hours – or sooner if the electrodes are badly eroded. Install only suppressed spark plugs of the type approved by STIHL – see "Specifications".

Removing the Spark Plug

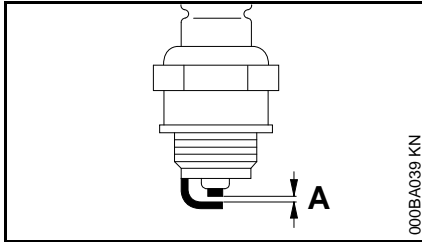


- Rotate the screw (1) in the cap (2) until the screw head projects from it.



- Lift the front of the cap (2) and push it to the rear to disengage.
- Leave the cap to one side.
- Pull off the spark plug boot (3).
- Unscrew the spark plug.

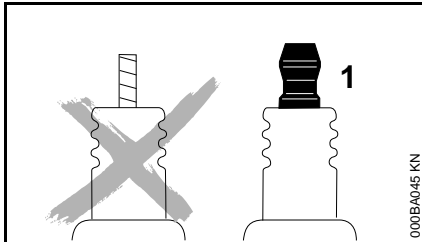
Checking the Spark Plug



- Clean dirty spark plug.
- Check electrode gap (A) and readjust if necessary – see "Specifications".
- Rectify the problems which have caused fouling of the spark plug.

Possible causes are:

- Too much oil in fuel mix.
- Dirty air filter.
- Unfavorable running conditions.



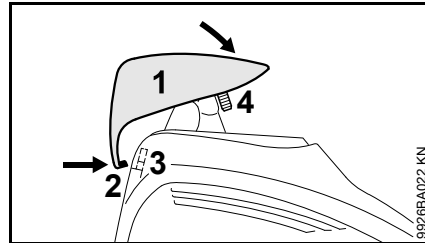
WARNING

Arcing may occur if the adapter nut (1) is loose or missing. Working in an easily combustible or explosive atmosphere may cause a fire or an explosion. This can result result in serious injuries or damage to property.

- Use resistor type spark plugs with a properly tightened adapter nut.

Installing the Spark Plug

- Screw the spark plug into the cylinder.
- Press the spark plug boot **firmly** onto the spark plug.



- Fit the cap (1) on the shroud from the rear and push the lug (2) into the opening (3) in the shroud at the same time.
- Swing the cap forwards onto the shroud, insert and tighten down the screw (4) firmly.

Engine Running Behavior

If engine running behavior is still unsatisfactory after servicing the air filter and adjusting the throttle cable, the cause may be the muffler.

Have the muffler checked by a servicing dealer for contamination (carbonization).

STIHL recommends that you have servicing and repair work carried out exclusively by an authorized STIHL servicing dealer.

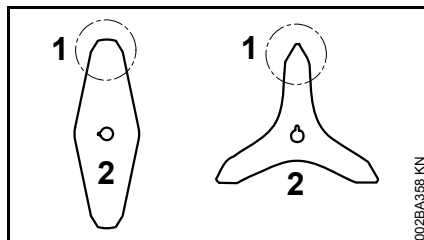
Storing the Machine

If the machine is to remain out of use for approx. 3 months or more

- Drain and clean the fuel tank in a well ventilated place
- Dispose of fuel in accordance with the regulations and having regard for the environment
- Run the engine until the carburetor is dry. This helps to prevent the carburetor diaphragms sticking together.
- Remove, clean and inspect the cutting attachment. Treat metal cutting attachments with protective oil.
- Thoroughly clean the machine
- Store the machine in a dry and safe place, out of the reach of children and other unauthorized users

Sharpening Metal Cutting Blades

- Use a sharpening file (special accessory) to sharpen dull cutting attachments. In case of more serious wear or nicks: Resharpener with a grinder or have the work done by a dealer – STIHL recommends a STIHL servicing dealer.
- Resharpener frequently, take away as little material as possible: two or three strokes of the file are usually enough.



- Resharpener the cutters (1) uniformly – do not alter the contour of the parent blade (2) in any way.

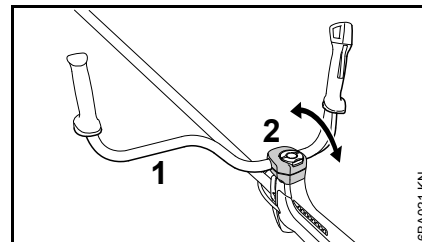
See cutting attachment packaging for additional sharpening instructions.

Balancing

- After resharpening about 5 times, check the cutting attachment for out-of-balance on a STIHL balancer (special accessory) or have it checked by a dealer and re-balanced as necessary – STIHL recommends a STIHL servicing dealer.

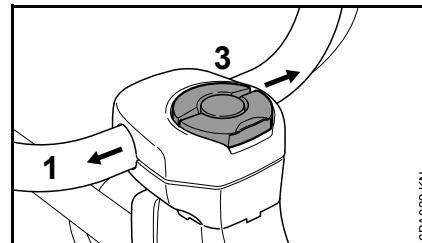
Inspection and Maintenance by User

Clamped Area of Handlebar



- Check the freedom of movement of the handlebar (1) in the clamp moldings (2) at regular intervals.

Handlebar is difficult to move



- Loosen the wing screw (3) just enough for the handlebar to be moved.
- Push the handlebar (1) sideways out of the clamp.
- Soak a cloth in a clean, non-flammable cleaning solution – do not use a cleaning agent containing oil or grease.

- Thoroughly clean the clamp area of the handlebar with the cloth and cleaning solution.
- Line up the handlebar and secure it in position with the wing screw.

Handlebar cannot be clamped firmly in position

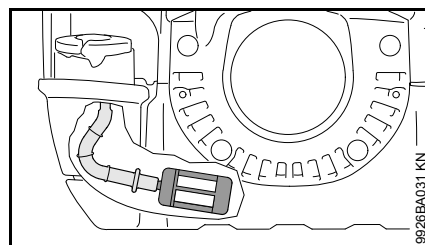
- Release handlebar in clamp as described under "Handlebar is difficult to move".
- Degrease clamp area on handlebar and in clamp moldings.
- Line up the handlebar and secure it in position with the wing screw.

Inspections and Maintenance by Dealer

Maintenance work

STIHL recommends that maintenance and repair work be carried out only by STIHL servicing dealers.

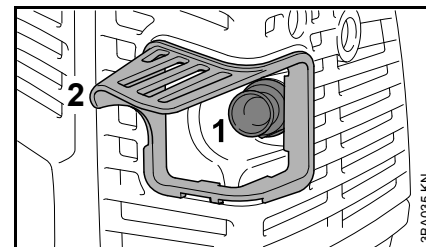
Fuel pickup body in tank



- Check the pickup body in the fuel tank annually and replace it when necessary

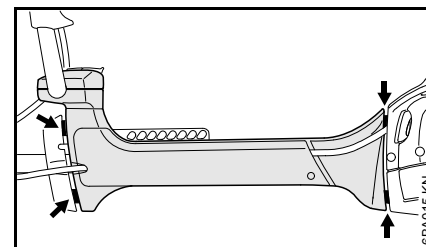
The pickup body should rest in the area of the tank indicated in the drawing.

Spark arresting screen in muffler and spacer



- If engine performance deteriorates, have the spark arresting screen (1) in the muffler checked
- Check spacer (2) for damage
- Have a damaged spacer (2) replaced immediately

Antivibration elements



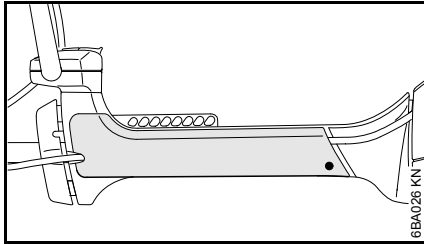
Four antivibration elements (arrows) for damping vibrations are installed between the engine and the drive tube. Have them checked in the event of noticeable, constantly increased vibration.

Both vibration gaps (arrows) of the antivibration system are set to a fixed dimension at the factory and are equally wide. If there is a large difference

English

between the two vibration gaps and/or one of the vibration gaps is closed, then always have the antivibration system serviced by a servicing dealer.

Wear guard on AV housing



There is an easily replaced wear guard on the side of the housing for the antivibration system. During work, the guard may wear due to the movement of the machine against the side plate of the harness and can be replaced when necessary.

Maintenance and Care

| The following intervals apply to normal operating conditions only. If your daily working time is longer or operating conditions are difficult (very dusty work area, etc.), shorten the specified intervals accordingly. | | before starting work | after finishing work or daily | after each refueling stop | weekly | monthly | every 12 months | if problem | if damaged | as required |
|--|--|----------------------|-------------------------------|---------------------------|--------|---------|-----------------|------------|------------|-------------|
| Complete machine | Visual inspection (condition, leaks) | X | | X | | | | | | |
| | Clean | | X | | | | | | | |
| | Replace any damaged parts | X | | | | | | | | |
| Control handle | Check operation | X | | X | | | | | | |
| Air filter, paper filter | Visual inspection | | | | | X | | X | | |
| | Replace ¹⁾ | | | | | | | | X | |
| Air filter, synthetic fabric filter | Visual inspection | | | | | X | | X | | |
| | Clean | | | | | | | | | X |
| | Replace | | | | | | | | X | X |
| Fuel tank | Clean | | | | | | | | | X |
| Manual fuel pump (if fitted) | Check | X | | | | | | | | |
| | Have repaired by servicing dealer ²⁾ | | | | | | | | X | |
| Pickup body in fuel tank | Check ²⁾ | | | | | | | X | | |
| | Replace ²⁾ | | | | | | X | | X | X |
| Engine idle speed | Check – the cutting attachment must not turn | X | | X | | | | | | |
| | If the cutting attachment turns when the engine is idling, have machine repaired by servicing dealer ²⁾ | | | | | | | | | X |
| Spark plug | Readjust electrode gap | | | | | | | X | | |
| | Replace after every 100 operating hours | | | | | | | | | |
| Cooling inlets | Visual inspection | | X | | | | | | | |
| | Clean | | | | | | | | | X |
| Cylinder fins | Clean ²⁾ | | | | | | X | | | |

| The following intervals apply to normal operating conditions only. If your daily working time is longer or operating conditions are difficult (very dusty work area, etc.), shorten the specified intervals accordingly. | | before starting work | after finishing work or daily | after each refueling stop | weekly | monthly | every 12 months | if problem | if damaged | as required |
|--|--|----------------------|-------------------------------|---------------------------|--------|---------|-----------------|------------|------------|-------------|
| Spark arrestor in muffler | Check ²⁾ | | | | | | | X | | |
| | Clean or replace ²⁾ | | | | | | | | X | |
| Spacer | Check | X | | | | | | | | |
| | Replace ²⁾ | X | | | | | | X | | |
| Exhaust port | Decoke after first 139 hours of operation, then every 150 hours of operation | | | | | | | | | X |
| All accessible screws and nuts (not adjusting screws) ³⁾ | Retighten | | | | | | | | | X |
| Antivibration elements | Check ⁴⁾ | X | | | | | | X | | |
| | Replace ²⁾ | | | | | | | | X | |
| Cutting attachment | Visual inspection | X | | X | | | | | | |
| | Replace | | | | | | | | X | |
| | Check tightness | X | | X | | | | | | |
| Metal cutting attachment | Sharpen | X | | | | | | | | X |
| Safety labels | Replace | | | | | | | | X | |

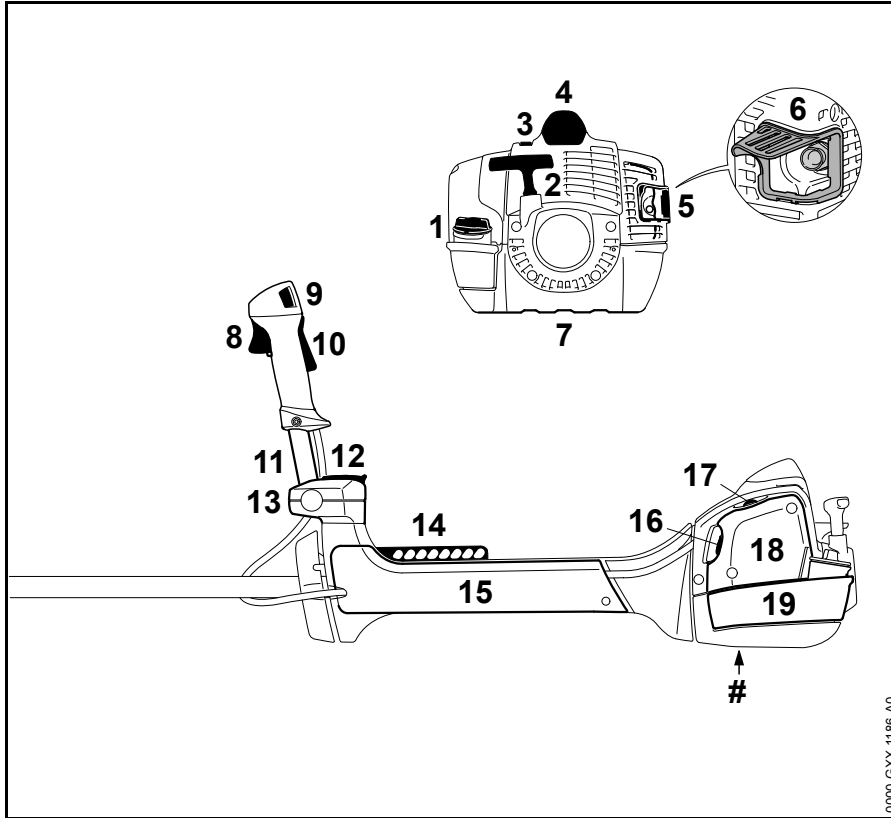
¹⁾ Only if there is a noticeable loss of engine power

²⁾ STIHL recommends that this work be done by a STIHL servicing dealer

³⁾ Tighten down the muffler mounting screws firmly after first 10 to 20 hours of operation.

⁴⁾ see chapter "Inspections and Maintenance by Dealer", section "Antivibration Elements"

Main Parts



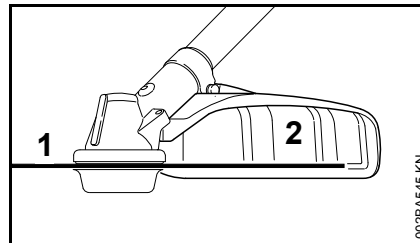
- 1 Fuel Filler Cap
- 2 Starter Grip
- 3 Shutter
- 4 Spark Plug Boot
- 5 Muffler with Spark Arresting Screen
- 6 Spacer
- 7 Guard Plate
- 8 Throttle Trigger
- 9 Momentary Stop Switch
- 10 Throttle Trigger Lockout
- 11 Handlebar
- 12 Clamp Screw
- 13 Handle Support
- 14 Carrying Strip
- 15 Wear Guard
- 16 Choke Lever
- 17 Manual Fuel Pump
- 18 Filter Cover
- 19 Fuel Tank
- # Serial Number

0000-GXX-1186-A0

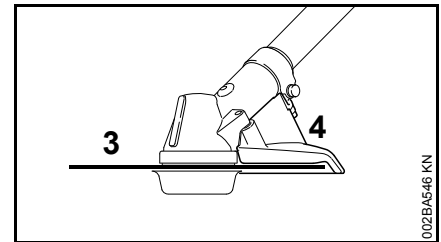
Definitions

- 1 Fuel Filler Cap**
For closing the fuel tank.
- 2 Starter Grip**
The grip of the pull starter, for starting the engine.
- 3 Shutter**
With summer and winter positions. Carburetor is heated in winter position.
- 4 Spark Plug Boot**
Connects the spark plug with the ignition lead.
- 5 Muffler with Spark Arresting Screen**
Muffler reduces exhaust noises and diverts exhaust gases away from operator. Spark arresting screen is designed to reduce the risk of fire.
- 6 Spacer**
Designed to reduce the risk of burns and fire.
- 7 Guard Plate**
Protects the fuel tank.
- 8 Throttle Trigger**
Controls the speed of the engine.
- 9 Momentary Stop Switch**
Switches the engine's ignition off and stops the engine.
- 10 Throttle Trigger Lockout**
Must be depressed before the throttle trigger can be activated.
- 11 Handlebar**
For holding and controlling the unit with the hand during operation.

- 12 Clamp Screw**
Locks handlebar in selected position.
- 13 Handle Support**
Connects the shaft and bike handle.
- 14 Carrying Strip**
The device to connect the clearing saw to the harness.
- 15 Wear Guard**
Protects the housing of the antivibration-system from wear.
- 16 Choke Lever**
Eases engine starting by enriching mixture.
- 17 Manual Fuel Pump**
Provides additional fuel feed for a cold start.
- 18 Filter Cover**
Encloses and protects the air filter.
- 19 Fuel Tank**
For fuel and oil mixture.



- 1 Metal Mowing Tool**
- 2 Deflector for Metal Mowing Tools**



- 3 Circular Saw Blade**
- 4 Limit Stop for Circular Saw Blade**

Definitions

- 1 Metal Mowing Tool**
The cutting attachment, i. e. blade, made from metal for different purposes.
- 2 Deflector for Metal Mowing Tools**
Designed to reduce the risk of injury from foreign objects flung backwards toward the operator by the cutting attachment and from contact with the cutting attachment.
- 3 Circular Saw Blade**
Cutting attachment made of metal for cutting wood.
- 4 Limit Stop for Circular Saw Blade**
Designed to position the brushcutter steady against the wood in order to reduce the risk of injury from loss of control from reactive forces such as thrust out.

Specifications

EPA / CEPA

The Emission Compliance Period referred to on the Emissions Compliance Label indicates the number of operating hours for which the engine has been shown to meet Federal emission requirements.

Category

A = 300 hours

B = 125 hours

C = 50 hours

Engine

Single cylinder two-stroke engine

FS 410 C

| | |
|---|-------------------------------|
| Displacement: | 41.6 cc |
| Bore: | 42 mm |
| Stroke: | 30 mm |
| Engine power to ISO 8893: | 2.0 kW (2.7 bhp) at 9,000 rpm |
| Idle speed: | 2,700 rpm |
| Cut-off speed (rated): | 12,300 rpm |
| Max. output shaft speed (cutting attachment): | 10,130 rpm |

FS 460 C

| | |
|---|-----------------------------|
| Displacement: | 45.6 cc |
| Bore: | 44 mm |
| Stroke: | 30 mm |
| Engine power to ISO 8893: | 2.2 kW (3 bhp) at 9,500 rpm |
| Idle speed: | 2,700 rpm |
| Cut-off speed (rated): | 12,300 rpm |
| Max. output shaft speed (cutting attachment): | 10,130 rpm |

Ignition System

Electronic magneto ignition

Spark plug (resistor type): NGK CMR6H

Electrode gap: 0.5 mm

This spark ignition system meets all requirements of the Canadian Interference-Causing Equipment Standard CAN ICES-2/NMB-2.

Fuel System

All position diaphragm carburetor with integral fuel pump

Fuel tank capacity: 750 cc (0.75 l)

Weight

Dry, without cutting attachment and deflector

8.4 kg

Overall length

without cutting attachment

1675 mm

Features

| | |
|---|------------------------|
| C | Convenience features |
| E | Easy2Start |
| K | Short drive tube |
| M | M-Tronic |
| Z | Spark arresting screen |


Maintenance and Repairs

Users of this machine may only carry out the maintenance and service work described in this user manual. All other repairs must be carried out by a servicing dealer.

STIHL recommends that you have servicing and repair work carried out exclusively by an authorized STIHL servicing dealer. STIHL dealers are regularly given the opportunity to attend training courses and are supplied with the necessary technical information.

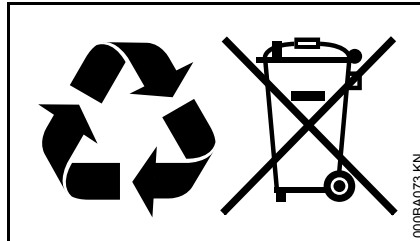
When repairing the machine, only use replacement parts which have been approved by STIHL for this power tool or are technically identical. Only use high-quality replacement parts in order to avoid the risk of accidents and damage to the machine.

STIHL recommends the use of original STIHL replacement parts.

Original STIHL parts can be identified by the STIHL part number, the **STIHL** logo and the STIHL parts symbol  (the symbol may appear alone on small parts).

Disposal

Observe all country-specific waste disposal rules and regulations.



STIHL products must not be thrown in the garbage can. Take the product, accessories and packaging to an approved disposal site for environment-friendly recycling.

Contact your STIHL servicing dealer for the latest information on waste disposal.

STIHL Limited Emission Control Warranty Statement

This statement is given voluntarily, based on the MOU (Memorandum of Understanding) as agreed in April 1999 between Environmental Canada and STIHL Limited

Your Warranty Rights and Obligations

STIHL Limited is pleased to explain the Emission Control System Warranty on your equipment type engine. In Canada new 1999 and later model year small off-road equipment engines must be designed, built and equipped, at the time of sale, to meet the U.S. EPA regulations for small non road engines. The equipment engine must be free from defects in materials and workmanship which cause it to fail to conform with U.S. EPA standards for the first two years of engine use from the date of sale to the ultimate purchaser.

STIHL Limited must warrant the emission control system on your small off-road engine for the period of time listed below provided there has been no abuse, neglect or improper maintenance of your small off-road equipment engine.

Your emissions control system may include parts such as the carburetor or fuel-injection system, the ignition system, and catalytic converter. Also included may be hoses, belts, connectors or other emission-related assemblies.

Where a warrantable condition exists, STIHL Limited will repair your small off-road equipment engine at no cost to you,

including diagnosis (if the diagnostic work is performed at an authorized dealer), parts, and labor.

Manufacturer's Warranty Coverage

In Canada 1999 and later model year small off-road equipment engines are warranted for two years. If any emission-related part on your engine is defective, the part will be repaired or replaced by STIHL Limited free of charge.

Owner's Warranty Responsibilities:

As the small off-road equipment engine owner, you are responsible for the performance of the required maintenance listed in your instruction manual. STIHL Limited recommends that you retain all receipts covering maintenance on your small off-road equipment engine, but STIHL Limited cannot deny warranty solely for the lack of receipts or for your failure to ensure the performance of all scheduled maintenance.

Any replacement part or service that is equivalent in performance and durability may be used in non-warranty maintenance or repairs, and shall not reduce the warranty obligations of the engine manufacturer.

As the small off-road equipment engine owner, you should be aware, however, that STIHL Limited may deny you warranty coverage if your small off-road equipment engine or a part has failed due to abuse, neglect, improper maintenance or unapproved modifications.

You are responsible for presenting your small off-road equipment engine to a STIHL service center as soon as a

problem exists. The warranty repairs will be completed in a reasonable amount of time, not to exceed 30 days.

If you have any questions regarding your warranty rights and responsibilities, please contact a STIHL customer service representative at www.stihl.ca

or you can write to:

STIHL Ltd.,
1515 Sise Road
Box 5666
CA-LONDON ONTARIO; N6A 4L6

Coverage by STIHL Limited

STIHL Limited warrants to the ultimate purchaser and each subsequent purchaser that your small off-road equipment engine will be designed, built and equipped, at the time of sale, to meet all applicable regulations. STIHL Limited also warrants to the initial purchaser and each subsequent purchaser that your engine is free from defects in materials and workmanship which cause the engine to fail to conform with applicable regulations for a period of two years.

Warranty Period

The warranty period will begin on the date the utility equipment engine is purchased by the initial purchaser and you have signed and sent back the warranty card to STIHL Ltd. If any emission-related part on your engine is defective, the part will be replaced by STIHL Limited at no cost to the owner. Any warranted part which is not scheduled for replacement as required maintenance, or which is scheduled only for regular inspection to the effect of "repair or replace as necessary" will be warranted for the warranty period. Any

warranted part which is scheduled for replacement as required maintenance will be warranted for the period of time up to the first scheduled replacement point for that part.

Diagnosis

You, as the owner, shall not be charged for diagnostic labor which leads to the determination that a warranted part is defective. However, if you claim warranty for a component and the machine is tested as non-defective, STIHL Limited will charge you for the cost of the emission test. Mechanical diagnostic work will be performed at an authorized STIHL servicing dealer. Emission test may be performed either at

STIHL Incorporated,
536 Viking Drive, P.O. Box 2015,
Virginia Beach, VA 23452

or at any independent test laboratory.

Warranty Work

STIHL Limited shall remedy warranty defects at any authorized STIHL servicing dealer or warranty station. Any such work shall be free of charge to the owner if it is determined that a warranted part is defective. Any manufacturer-approved or equivalent replacement part may be used for any warranty maintenance or repairs on emission-related parts and must be provided without charge to the owner. STIHL Limited is liable for damages to other engine components caused by the failure of a warranted part still under warranty.

The following list specifically defines the emission-related warranted parts:

- Air Filter
- Carburetor (if applicable)
- Fuel Pump
- Choke (Cold Start Enrichment System) (if applicable)
- Control Linkages
- Intake Manifold
- Magneto or Electronic Ignition System (Ignition Module or Electronic Control Unit)
- Fly Wheel
- Spark Plug
- Injection Valve (if applicable)
- Injection Pump (if applicable)
- Throttle Housing (if applicable)
- Cylinder
- Muffler
- Catalytic Converter (if applicable)
- Fuel Tank
- Fuel Cap
- Fuel Line
- Fuel Line Fittings
- Clamps
- Fasteners

Where to make a Claim for Warranty Service

Bring the product to any authorized STIHL servicing dealer and present the signed warranty card.

Maintenance Requirements

The maintenance instructions in this manual are based on the application of the recommended 2-stroke fuel-oil mixture (see also instruction "Fuel"). Deviations from this recommendation regarding quality and mixing ratio of fuel and oil may require shorter maintenance intervals.

Limitations

This Emission Control Systems Warranty shall not cover any of the following:

1. repair or replacement required because of misuse, neglect or lack of required maintenance
2. repairs improperly performed or replacements not conforming to STIHL Limited specifications that adversely affect performance and/or durability, and alterations or modifications not recommended or approved in writing by STIHL Limited
3. replacement of parts and other services and adjustments necessary for required maintenance at and after the first scheduled replacement point

Table des matières

| | | | |
|---|----|--|----|
| Indications concernant la présente Notice d'emploi | 42 | Principales pièces | 78 |
| Prescriptions de sécurité et techniques de travail | 42 | Caractéristiques techniques | 80 |
| Combinaisons autorisées d'outil de coupe, de capot protecteur, de butée et de harnais | 52 | Instructions pour les réparations | 81 |
| Montage du guidon | 54 | Mise au rebut | 81 |
| Réglage du câble de commande des gaz | 56 | Garantie de la Société STIHL Limited relative au système antipollution | 82 |
| Montage des dispositifs de sécurité | 57 | | |
| Montage de l'outil de coupe | 57 | | |
| Carburant | 61 | | |
| Ravitaillement en carburant | 62 | | |
| Utilisation du harnais double | 63 | | |
| Équilibrage | 64 | | |
| Mise en route / arrêt du moteur | 64 | | |
| Instructions de service | 67 | | |
| Filtre à air | 68 | | |
| Gestion moteur | 69 | | |
| M-Tronic | 69 | | |
| Utilisation en hiver | 69 | | |
| Bougie | 71 | | |
| Fonctionnement du moteur | 72 | | |
| Rangement | 73 | | |
| Affûtage des outils de coupe métalliques | 73 | | |
| Contrôle et maintenance par l'utilisateur | 74 | | |
| Contrôle et maintenance par le revendeur spécialisé | 74 | | |
| Instructions pour la maintenance et l'entretien | 76 | | |

Chère cliente, cher client,
nous vous félicitons d'avoir choisi un produit de qualité de la société STIHL.
Ce produit a été fabriqué avec les procédés les plus modernes et les méthodes de surveillance de qualité les plus évoluées. Nous mettons tout en œuvre pour que cette machine vous assure les meilleurs services, de telle sorte que vous puissiez en être parfaitement satisfait.
Pour toute question concernant cette machine, veuillez vous adresser à votre revendeur ou directement à l'importateur de votre pays.



Dr. Nikolas Stihl

STIHL®

FS 410 C-M, FS 460 C-M

La présente Notice d'emploi est protégée par des droits d'auteur. Tous droits réservés, en particulier tout droit de copie, de traduction et de traitement avec des systèmes électroniques quelconques.

Indications concernant la présente Notice d'emploi

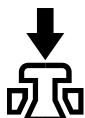
Pictogrammes

Les pictogrammes appliqués sur la machine sont expliqués dans la présente Notice d'emploi.

Suivant la machine et son équipement spécifique, les pictogrammes suivants peuvent y être appliqués.



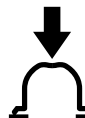
Réservoir à carburant ; mélange d'essence et d'huile moteur



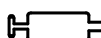
Actionner la soupape de décompression



Pompe d'amorçage manuelle



Actionner la pompe d'amorçage manuelle



Tube de graisse



Canalisation de l'air aspiré : utilisation en été



Canalisation de l'air aspiré : utilisation en hiver



Chauffage de poignées

Repérage des différents types de textes



AVERTISSEMENT

Avertissement contre un risque d'accident et de blessure ainsi que de graves dégâts matériels.



AVIS

Avertissement contre un risque de détérioration de la machine ou de certains composants.

Développement technique

La philosophie de STIHL consiste à poursuivre le développement continu de toutes ses machines et de tous ses dispositifs ; c'est pourquoi nous devons nous réserver tout droit de modification de nos produits, en ce qui concerne la forme, la technique et les équipements.

On ne pourra donc en aucun cas se prévaloir des indications et illustrations de la présente Notice d'emploi à l'appui de revendications quelconques.

Prescriptions de sécurité et techniques de travail



En travaillant avec cette machine, il faut respecter des prescriptions de sécurité particulières, parce que l'outil de coupe tourne à très haute vitesse.



Avant la première mise en service, lire attentivement et intégralement la présente Notice d'emploi. La conserver précieusement pour pouvoir la relire lors d'une utilisation ultérieure. Un utilisateur qui ne respecte pas les instructions de la Notice d'emploi risque de causer un accident grave, voire même mortel.

Respecter les prescriptions de sécurité nationales spécifiques publiées par ex. par les caisses professionnelles d'assurances mutuelles, caisses de sécurité sociale, services pour la protection du travail et autres organismes compétents.

Une personne qui travaille pour la première fois avec cette machine doit demander au vendeur ou à une autre personne compétente de lui montrer comment l'utiliser en toute sécurité – ou participer à un stage de formation.

Les jeunes encore mineurs ne sont pas autorisés à travailler avec cette machine – une seule exception est permise pour des apprentis de plus de 16 ans travaillant sous surveillance.

Veiller à ce que des spectateurs éventuels, en particulier des enfants, ou des animaux restent à une distance suffisante.

Lorsque la machine n'est pas utilisée, la ranger en veillant à ce qu'elle ne présente aucun danger pour d'autres personnes. Conserver la machine à un endroit adéquat, de telle sorte qu'elle ne puisse pas être utilisée sans autorisation.

L'utilisateur est responsable des blessures qui pourraient être infligées à d'autres personnes, de même que des dégâts matériels causés.

Ne confier la machine qu'à des personnes familiarisées avec ce modèle et sa manipulation – toujours y joindre la Notice d'emploi.

L'utilisation de dispositifs à moteur bruyants peut être soumise à des prescriptions nationales ou locales précisant les créneaux horaires à respecter.

L'utilisateur de la machine doit être reposé, en bonne santé et en bonne condition physique.

Une personne à laquelle il est interdit d'effectuer des travaux fatigants – pour des questions de santé – devrait consulter son médecin et lui demander si elle peut travailler avec un dispositif à moteur.

Uniquement pour les personnes qui portent un stimulateur cardiaque : le système d'allumage de cette machine engendre un champ électromagnétique de très faible intensité. Une influence sur certains types de stimulateurs cardiaques ne peut pas être totalement exclue. Afin d'écartier tout risque pour la santé, STIHL recommande aux personnes portant un stimulateur cardiaque de consulter leur médecin traitant et le fabricant du stimulateur cardiaque.

Il est interdit de travailler avec la machine après avoir consommé de l'alcool ou de la drogue ou bien après avoir pris des médicaments qui risquent de limiter la capacité de réaction.

Utiliser la machine – suivant les outils de coupe assignés – exclusivement pour faucher de l'herbe ou pour couper des plantes sauvages, des buissons, des broussailles, des arbustes etc.

Il est interdit d'utiliser cette machine pour d'autres travaux – **risque d'accident !**

Monter exclusivement des outils de coupe ou accessoires autorisés par STIHL pour cette machine, ou des pièces similaires du point de vue technique. Pour toute question à ce sujet, s'adresser à un revendeur spécialisé. Utiliser exclusivement des outils ou accessoires de haute qualité. Sinon, des accidents pourraient survenir ou la machine risquerait d'être endommagée.

STIHL recommande d'utiliser des outils et accessoires d'origine STIHL. Leurs caractéristiques sont optimisées tout spécialement pour ce produit, et pour satisfaire aux exigences de l'utilisateur.

N'apporter aucune modification à cette machine – cela risquerait d'en compromettre la sécurité. STIHL décline toute responsabilité pour des blessures ou des dégâts matériels occasionnés en cas d'utilisation d'équipements rapportés non autorisés.

Pour le nettoyage de cette machine, ne pas utiliser un nettoyeur haute pression. Le puissant jet d'eau risquerait d'endommager certaines pièces de la machine.

Le capot protecteur de la machine ne peut pas protéger l'utilisateur contre tous les objets (pierres, morceaux de verre ou de fil de fer etc.) projetés par l'outil de coupe. Ces objets peuvent ricocher et toucher l'utilisateur.

Vêtements et équipement

Porter des vêtements et équipements de protection réglementaires.



Les vêtements doivent être fonctionnels et garantir une liberté de mouvement totale. Porter des vêtements bien ajustés – une combinaison, mais pas une blouse de travail.

Ne pas porter des vêtements qui risqueraient de se prendre dans le bois, les broussailles ou les pièces en mouvement de la machine. Ne porter ni écharpe ou cravate, ni bijoux. Les personnes aux cheveux longs doivent les nouer et les assurer (foulard, casquette, casque etc.).



Porter des chaussures de sécurité avec semelle antidérapante et coquille d'acier.

! AVERTISSEMENT



Étant donné le risque de blessure des yeux, il faut impérativement porter des lunettes de protection couvrant étroitement les yeux, conformément à la norme EN 166. Veiller à ce que les lunettes soient parfaitement ajustées.

Porter une visière pour la protection du visage et veiller à ce qu'elle soit bien ajustée. Une visière n'offre pas une protection oculaire suffisante.

Porter un dispositif antibruit « individuel » – par ex. des capsules protège-oreilles.

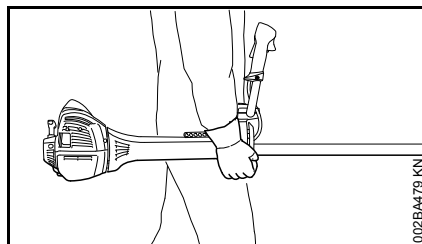
Pour les travaux de dépressage, la coupe de broussailles assez hautes et chaque fois qu'un risque de chute d'objets se présente, porter un casque.



Porter des gants de travail robustes (par ex. en cuir).

STIHL propose une gamme complète d'équipements pour la protection individuelle.

Transport



Toujours arrêter le moteur.

Porter la machine en la laissant suspendue au harnais ou en la tenant par le tube, de telle sorte qu'elle soit bien équilibrée. Pour éviter le risque de blessure en cas de contact avec l'outil de coupe métallique – monter le protecteur de transport sur l'outil de coupe.



Ne pas toucher aux pièces très chaudes de la machine ou au réducteur – **risque de brûlure !**

Pour le transport dans un véhicule : assurer la machine de telle sorte qu'elle ne risque pas de se renverser, d'être endommagée ou de perdre du carburant.

Ravitaillement



L'essence est un carburant extrêmement inflammable – rester à une distance suffisante de toute flamme ou source d'inflammation – ne pas renverser du carburant – ne pas fumer.

Arrêter le moteur avant de refaire le plein.

Ne pas refaire le plein tant que le moteur est très chaud – du carburant peut déborder – **risque d'incendie !**

Ouvrir prudemment le bouchon du réservoir à carburant, afin que la surpression interne s'échappe lentement et que du carburant ne soit pas éjecté.

Faire le plein exclusivement à un endroit bien aéré. Si l'on a renversé du carburant, essuyer immédiatement la machine. Ne pas se renverser du carburant sur les vêtements – le cas échéant, se changer immédiatement.



Après le ravitaillement, le bouchon de réservoir doit être serré le plus fermement possible.

Cela réduit le risque de desserrage du bouchon du réservoir sous l'effet des vibrations du moteur, et de fuite de carburant.

S'assurer que la machine ne présente pas de fuite – si l'on constate une fuite de carburant, ne pas mettre le moteur en marche – **danger de mort par suite de brûlures !**

Avant la mise en route

S'assurer que la machine se trouve en parfait état pour un fonctionnement en toute sécurité – conformément aux indications des chapitres correspondants de la Notice d'emploi :

- contrôler l'étanchéité du système d'alimentation en carburant, en examinant tout particulièrement les pièces visibles telles que le bouchon du réservoir, les raccords de flexibles, la pompe d'amorçage manuelle (seulement sur les machines munies d'une pompe d'amorçage manuelle). Ne pas démarrer le moteur en cas de manque d'étanchéité ou d'endommagement – **risque d'incendie !** Avant de remettre la machine en service, la faire contrôler par le revendeur spécialisé.
- Utiliser exclusivement la combinaison autorisée d'outil de coupe, de capot protecteur, de poignée et de harnais ; toutes les pièces doivent être montées impeccablement.
- Le bouton d'arrêt doit pouvoir être enfoncé facilement.
- Le levier de starter, le blocage de gâchette d'accélérateur et la gâchette d'accélérateur doivent fonctionner facilement – la gâchette d'accélérateur doit revenir automatiquement en position de ralenti, sous l'effet de son ressort. En partant de la position ▲ du levier de starter, ce levier doit revenir dans la position de marche

normale I, sous l'effet de son ressort, lorsqu'on enfonce en même temps le blocage de gâchette d'accélérateur et la gâchette d'accélérateur.

- Contrôler le serrage du contact de câble d'allumage sur la bougie – un contact desserré peut provoquer un jaillissement d'étincelles risquant d'enflammer le mélange carburé qui aurait pu s'échapper – **risque d'incendie !**
- Outil de coupe ou outil à rapporter : monté correctement, bien serré et dans un état impeccable.
- Contrôler si les dispositifs de protection (par ex. le capot protecteur de l'outil de coupe, le bol glisseur) ne sont pas endommagés ou usés. Remplacer les pièces endommagées. Il est interdit d'utiliser la machine avec un capot protecteur endommagé ou un bol glisseur usé (lorsque l'inscription et les flèches ne sont plus reconnaissables).
- N'apporter aucune modification aux dispositifs de commande et de sécurité.
- Les poignées doivent être propres et sèches, sans huile ni autres salissures – un point très important pour que l'on puisse manier la machine en toute sécurité.
- Ajuster le harnais et la poignée (les poignées) suivant la taille de l'utilisateur. À ce sujet, respecter les indications des chapitres « Utilisation du harnais » et « Équilibrage ».

Il est interdit d'utiliser la machine si elle ne se trouve pas en parfait état de fonctionnement – **risque d'accident !**

Pour parer à toute éventualité, à l'utilisation d'un harnais : s'entraîner pour savoir se dégager rapidement de la machine. Lors de cet exercice, ne pas jeter la machine sur le sol, pour ne pas risquer de l'endommager.

Mise en route du moteur

Aller au moins à 3 mètres du lieu où l'on a fait le plein – et ne pas lancer le moteur dans un local fermé.

Pour lancer le moteur, il faut impérativement se tenir bien d'aplomb, sur une aire stable et plane – l'outil de coupe ne doit entrer en contact ni avec le sol, ni avec un objet quelconque, car il peut déjà être entraîné au démarrage du moteur.

La machine doit être maniée par une seule personne – ne pas tolérer la présence d'autres personnes dans un rayon de 15 m – pas même à la mise en route du moteur – **risque de blessure** par des objets projetés !



Éviter tout contact avec l'outil de coupe – **risque de blessure !**



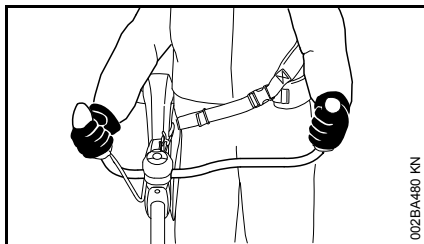
Ne pas lancer le moteur en tenant la machine « à bout de bras » – pour la mise en route du moteur, procéder comme décrit dans la Notice d'emploi. Lorsqu'on relâche la gâchette d'accélérateur, l'outil de coupe fonctionne encore pendant quelques instants – **par inertie !**

Écarter toute matière aisément inflammable (par ex. copeaux, morceaux d'écorce, herbe sèche, carburant) du flux des gaz d'échappement et du silencieux très chauds – **risque d'incendie !**

Prise en main et utilisation

Toujours tenir fermement la machine à deux mains, par les poignées.

Toujours se tenir dans une position stable et sûre.

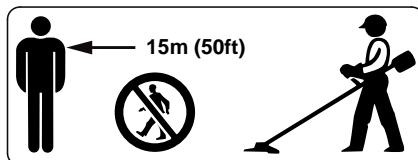


Tenir la poignée de commande de la main droite et l'autre poignée du guidon de la main gauche.

Au cours du travail

Toujours se tenir dans une position stable et sûre.

En cas d'urgence ou de danger imminent, enfoncer le bouton d'arrêt pour arrêter le moteur.



La machine peut projeter des objets à une grande distance de l'aire de travail. C'est pourquoi, à part l'utilisateur, personne ne doit se trouver dans un rayon de 15 m de la machine en marche. Respecter également cette distance par rapport à des véhicules garés, vitres etc. – pour éviter de causer des **dégâts matériels !** Même à une distance de plus de 15 m, des objets projetés peuvent encore présenter des risques.

Veiller à ce que le ralenti soit correctement réglé – de telle sorte qu'après le relâchement de la gâchette d'accélérateur l'outil de coupe ne soit plus entraîné et s'arrête. Si l'outil de coupe tourne au ralenti, malgré un réglage correct, faire réparer la machine par le revendeur spécialisé. STIHL recommande de s'adresser au revendeur spécialisé STIHL.

Faire particulièrement attention sur un sol glissant – mouillé, couvert de neige ou de verglas – de même qu'en travaillant à flanc de coteau ou sur un sol inégal etc. – **risque de dérapage !**

Faire attention aux obstacles : souches d'arbres, racines – **pour ne pas risquer de trébucher !**

Travailler seulement depuis le sol, ne jamais monter sur un échafaudage instable – jamais sur une échelle ou une nacelle élévatrice.

En travaillant avec des protège-oreilles, il faut faire tout particulièrement attention – parce que des bruits signalant un danger (cris, signaux sonores etc.) sont moins bien perceptibles.

Faire des pauses à temps pour ne pas risquer d'atteindre un état de fatigue ou d'épuisement qui pourrait **entraîner un accident !**

Travailler calmement, de manière bien réfléchie – seulement dans de bonnes conditions de visibilité et d'éclairage. Prendre les précautions utiles pour exclure le risque de blesser d'autres personnes.



Dès que le moteur est en marche, il dégage des gaz d'échappement toxiques. Ces gaz peuvent être inodores et invisibles, et renfermer des hydrocarbures imbrûlés et du benzène. Ne jamais travailler avec la machine dans des locaux fermés ou mal aérés – pas non plus si le moteur est équipé d'un catalyseur.

En travaillant dans des fossés, des dépressions de terrain ou des espaces restreints, toujours veiller à ce qu'une ventilation suffisante soit assurée – **danger de mort par intoxication !**

En cas de nausée, de maux de tête, de troubles de la vue (par ex. rétrécissement du champ de vision) ou de l'ouïe, de vertige ou de manque de concentration croissant, arrêter immédiatement le travail – ces symptômes peuvent, entre autres, être causés par une trop forte concentration de gaz d'échappement dans l'air ambiant – **risque d'accident !**

Éviter les émissions de bruits et de gaz d'échappement inutiles. Ne pas laisser le moteur en marche lorsque la machine n'est pas utilisée – accélérer seulement pour travailler.

Ne pas fumer en travaillant ou à proximité de la machine – **risque d'incendie !** Des vapeurs d'essence inflammables peuvent s'échapper du système d'alimentation en carburant.

Les poussières, les vapeurs et les fumées dégagées au cours du travail peuvent nuire à la santé. En cas de fort dégagement de poussière ou de fumée, porter un masque respiratoire.

Si la machine a été soumise à des sollicitations sortant du cadre de l'utilisation normale (par ex. si elle a été soumise à des efforts violents, en cas de choc ou de chute), avant de la remettre en marche, il faut impérativement s'assurer qu'elle se trouve en parfait état de fonctionnement – voir également « Avant la mise en route du moteur ».

Contrôler tout particulièrement l'étanchéité du système de carburant et la fiabilité des dispositifs de sécurité. Il ne faut en aucun cas continuer d'utiliser la machine si la sécurité de son fonctionnement n'est pas garantie. En cas de doute, consulter le revendeur spécialisé.



Ne jamais travailler sans le capot protecteur qui convient pour la machine et pour l'outil de coupe utilisé – **risque de blessure par des objets projetés !**



Examiner le terrain : des objets durs – pierres, morceaux de métal ou autres – peuvent être projetés au loin – même à plus de 15 m – **risque de blessure !** – et risquent d'endommager l'outil de coupe ou de causer des dégâts matériels (par ex. sur des véhicules garés, vitres etc.).



Il faut prendre des précautions particulières en travaillant sur des terrains difficiles, à végétation dense.

En fauchant dans les broussailles hautes ou sous les buissons et haies : tenir l'outil de coupe à une hauteur de travail d'au moins 15 cm du sol – pour ne pas mettre en danger les animaux cachés, tels que les hérissons.

Avant de quitter la machine – arrêter le moteur.

Vérifier l'outil de coupe à de courts intervalles réguliers – et immédiatement si le comportement de l'outil change :

- Arrêter le moteur, maintenir fermement la machine, attendre que l'outil de coupe s'arrête.
- Contrôler l'état et la bonne fixation – on ne doit constater aucun début de fissuration.
- Vérifier l'affûtage.
- Des outils de coupe défectueux ou émoussés doivent être remplacés immédiatement, même en cas de fissures capillaires minimes.

Enlever régulièrement l'herbe et les broussailles enchevêtrées dans la prise de l'outil de coupe – en cas d'engorgement, nettoyer la zone de l'outil de coupe ou du capot protecteur.

Pour remplacer l'outil de coupe, arrêter le moteur – **risque de blessure !**



À l'utilisation, le réducteur devient très chaud. Ne pas toucher au carter du réducteur – **risque de brûlure !**

Ne pas continuer d'utiliser des outils de coupe endommagés ou présentant un début de fissuration – et ne pas non plus les réparer – par ex. par soudage ou redressage – modification de la forme (balourd).

Des particules ou des éclats pourraient se détacher, être projetés à haute vitesse et toucher l'utilisateur ou une autre personne – **risque de blessures très graves !**

Utilisation d'outils de coupe métalliques

STIHL recommande d'utiliser des outils de coupe métalliques STIHL d'origine. Leurs caractéristiques sont optimisées tout spécialement pour cette machine, et pour répondre aux exigences de l'utilisateur.

Les outils de coupe métalliques tournent à très haute vitesse. Cela engendre des forces qui agissent sur la machine, sur l'outil de coupe et sur les végétaux coupés.

Il faut impérativement affûter les outils de coupe métalliques à intervalles réguliers, en respectant les prescriptions.

Des outils de coupe métalliques affûtés de façon irrégulière engendrent un balourd qui peut soumettre la machine à des sollicitations extrêmes – **des pièces risquent de casser !**

Des tranchants émoussés ou pas correctement affûtés peuvent soumettre l'outil de coupe métallique à des contraintes supérieures à la normale – l'outil risque de se fissurer ou d'éclater – **risque de blessure !**

Après tout contact avec des objets durs (par ex. pierres, roches, objets métalliques), contrôler si l'outil de coupe métallique n'a pas été endommagé (début de fissuration, déformations etc.). Il faut impérativement éliminer les bavures ou autres refoulements de matière visibles, car ils risquent de se détacher à l'utilisation de l'outil de coupe et les éclats peuvent être projetés au loin – **risque de blessure !**

Si un outil de coupe métallique en rotation heurte une pierre ou un autre objet dur, cela peut provoquer un jaillissement d'étincelles et, dans certaines circonstances, mettre le feu à des matières aisément inflammables. Même les plantes et broussailles sèches sont aisément inflammables, surtout en cas de conditions météorologiques très chaudes et sèches. En présence d'un risque d'incendie, ne pas utiliser des outils de coupe métalliques à proximité de matières inflammables ou de plantes ou broussailles sèches ! Consulter impérativement l'administration des Eaux et Forêts pour savoir s'il y a des risques d'incendie.

Afin de réduire les risques décrits ci-avant, qui peuvent se présenter à l'utilisation d'un outil de coupe métallique, il faut veiller à ne jamais employer un outil de coupe métallique de trop grand diamètre. L'outil ne doit pas être trop lourd. Il doit être fabriqué en matières de qualité suffisante et avoir la géométrie (forme, épaisseur) qui convient.

Si l'on utilise un outil de coupe métallique qui n'a pas été fabriqué par STIHL, son poids, son épaisseur et son diamètre ne doivent en aucun cas dépasser ceux du plus gros outil de coupe métallique STIHL autorisé pour cette machine, et il doit avoir exactement la même forme que cet outil d'origine STIHL – **risque de blessure !**

Vibrations

Au bout d'une assez longue durée d'utilisation de la machine, les vibrations peuvent provoquer une perturbation de l'irrigation sanguine des mains (« maladie des doigts blancs »).

Il n'est pas possible de fixer une durée d'utilisation valable d'une manière générale, car l'effet des vibrations dépend de plusieurs facteurs.

Les précautions suivantes permettent de prolonger la durée d'utilisation :

- garder les mains au chaud (porter des gants chauds) ;
- faire des pauses.

Les facteurs suivants raccourcissent la durée d'utilisation :

- tendance personnelle à souffrir d'une mauvaise irrigation sanguine (symptômes : doigts souvent froids, fourmillements) ;
- utilisation à de basses températures ambiantes ;
- effort exercé sur les poignées (une prise très ferme gêne l'irrigation sanguine).

Si l'on utilise régulièrement la machine pendant de longues périodes et que les symptômes indiqués ci-avant (par ex. fourmillements dans les doigts) se manifestent à plusieurs reprises, il est recommandé de se faire ausculter par un médecin.

Maintenance et réparations

La machine doit faire l'objet d'une maintenance régulière. Effectuer exclusivement les opérations de maintenance et les réparations décrites dans la Notice d'emploi. Faire exécuter toutes les autres opérations par un revendeur spécialisé.

STIHL recommande de faire effectuer les opérations de maintenance et les réparations exclusivement chez le revendeur spécialisé STIHL. Les revendeurs spécialisés STIHL participent régulièrement à des stages de perfectionnement et ont à leur disposition les informations techniques requises.

Utiliser exclusivement des pièces de rechange de haute qualité. Sinon, des accidents pourraient survenir et la machine risquerait d'être endommagée. Pour toute question à ce sujet, s'adresser à un revendeur spécialisé.

STIHL recommande d'utiliser des pièces de rechange d'origine STIHL. Leurs caractéristiques sont optimisées tout spécialement pour cette machine, et pour répondre aux exigences de l'utilisateur.

Pour la réparation, la maintenance et le nettoyage, toujours **arrêter le moteur et débrancher le câble d'allumage de la bougie – risque de blessure** en cas de mise en route inopinée du moteur ! – Exception : réglage du carburateur et du ralenti.

Lorsque le câble d'allumage est débranché de la bougie ou que la bougie est dévissée, ne pas faire tourner le moteur avec le lanceur – **risque**

d'incendie par suite d'un jaillissement d'étincelles d'allumage à l'extérieur du cylindre !

Ne pas procéder à la maintenance de la machine à proximité d'un feu et ne pas non plus ranger la machine à proximité d'un feu – le carburant présente un **risque d'incendie !**

Contrôler régulièrement l'étanchéité du bouchon du réservoir à carburant.

Utiliser exclusivement une bougie autorisée par STIHL – voir « Caractéristiques techniques » – et dans un état impeccable.

Vérifier le câble d'allumage (isolement dans un état impeccable, bon serrage du raccord).

S'assurer que le silencieux est dans un état impeccable.

Ne pas travailler avec la machine si le silencieux est endommagé ou manque – **risque d'incendie ! – Lésion de l'ouïe !**

Ne pas toucher au silencieux très chaud – **risque de brûlure !**

L'état des éléments antivibratoires AV a une influence sur les caractéristiques du point de vue vibrations – c'est pourquoi il faut régulièrement contrôler les éléments AV.

La maintenance, le remplacement ou la réparation de pièces du système antipollution peuvent être exécutés par une entreprise ou une personne compétente pour la réparation de moteurs d'engins mobiles non routiers. STIHL peut rejeter toute demande de garantie pour un composant dont l'entretien ou la maintenance n'a pas été effectué correctement ou si l'on a utilisé des pièces de rechange non autorisées.

Pour toute opération de maintenance, se référer au tableau de maintenance et d'entretien et aux clauses de garantie qui figurent à la fin de la présente Notice d'emploi.

Symboles appliqués sur les dispositifs de protection

Une **flèche** sur le capot protecteur pour outils de coupe indique le sens de rotation des outils de coupe.

Certains des symboles suivants se trouvent sur la face extérieure du capot protecteur et attirent l'attention sur la combinaison outil de coupe / capot protecteur autorisée.



Il est permis d'utiliser ce capot protecteur avec des têtes faucheuses.



Il est permis d'utiliser ce capot protecteur avec des couteaux à herbe.



Il est permis d'utiliser ce capot protecteur avec des couteaux à taillis.



Il est permis d'utiliser ce capot protecteur avec des couteaux de broyage.



Il est interdit d'utiliser ce capot protecteur avec des têtes faucheuses.



Il est interdit d'utiliser ce capot protecteur avec des couteaux à herbe.



Il est interdit d'utiliser ce capot protecteur avec des couteaux à taillis.



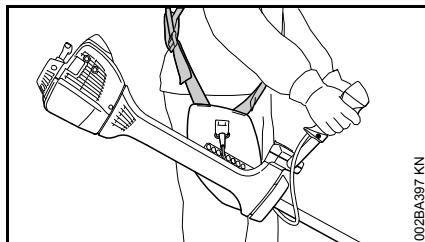
Il est interdit d'utiliser ce capot protecteur avec des couteaux de broyage.



Il est interdit d'utiliser ce capot protecteur avec des scies circulaires.

Harnais

Le harnais fait partie du jeu de pièces fourni à la livraison ou peut être livré en tant qu'accessoire optionnel.



002BA397 KN

- Utiliser le harnais ;
- accrocher la machine au harnais après avoir mis le moteur en marche.

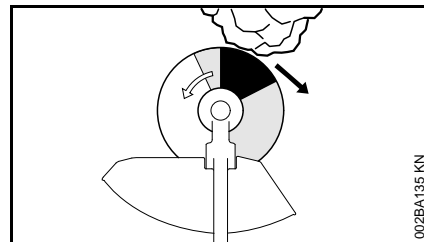
Pour l'utilisation des scies circulaires le port d'un harnais double avec système de débouclage rapide est obligatoire !

Risque de rebond avec les outils de coupe métalliques

! AVERTISSEMENT



L'utilisation d'outils de coupe métalliques présente un risque de rebond, si l'outil entre en contact avec un objet solide (tronc d'arbre, branche, souche d'arbre, pierre etc.). La machine est alors projetée en arrière – dans la direction opposée au sens de rotation de l'outil.

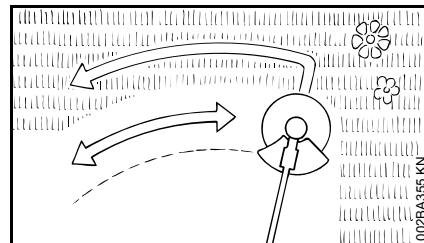


002BA135 KN

Un **risque de rebond accru** se présente lorsque le **secteur de l'outil dessiné en noir** touche un obstacle.

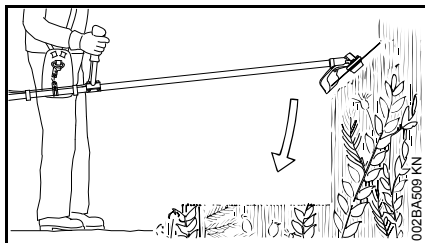
Couteau à taillis

Pour la coupe de l'herbe enchevêtrée, pour l'éclaircissage des plantes sauvages et des broussailles et pour le dépressage des jeunes peuplements forestiers jusqu'à un diamètre de tige de 2 cm au maximum – ne pas couper du bois plus fort – **risque d'accident !**



002BA355 KN

Pour la coupe de l'herbe et le dépressage d'un jeune peuplement forestier, manier la machine comme une faux, au ras du sol.



Pour l'éclaircissage des plantes sauvages et des broussailles, « plonger » le couteau à taillis dans les plantes – de telle sorte qu'elles soient hachées de haut en bas. L'utilisateur ne doit pas tenir l'outil de coupe à une hauteur supérieure à sa hanche.

En appliquant cette technique de travail, il faut être extrêmement prudent. Plus la distance entre l'outil de coupe et le sol est grande, plus il y a risque de projection de particules sur le côté – **risque de blessure !**

Attention ! Une utilisation incorrecte peut entraîner la détérioration du couteau à taillis – risque de projection d'éclats de l'outil **risque de blessure !**

Afin de minimiser le risque d'accident, respecter impérativement les points suivants :

- éviter tout contact avec des pierres, des éléments métalliques ou d'autres objets solides ;
- ne pas couper du bois ou des broussailles d'une section de plus de 2 cm – pour une section supérieure, utiliser une scie circulaire ;

- vérifier régulièrement le couteau à taillis et s'assurer qu'il ne présente pas de détériorations – si un couteau à taillis est endommagé, il ne faut plus l'utiliser ;
- réaffûter le couteau à taillis régulièrement et dès qu'il est nettement émoussé – en respectant les prescriptions à suivre pour l'affûtage – et, si nécessaire, le faire rééquilibrer (pour cela, STIHL recommande de s'adresser au revendeur spécialisé STIHL).

Scie circulaire

Pour couper des buissons et des arbustes jusqu'à un diamètre de tronc de 7 cm.

On obtient le meilleur rendement de coupe en travaillant à pleins gaz, avec une pression d'avance régulière.

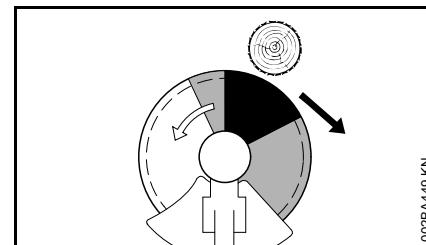
Utiliser les scies circulaires exclusivement avec la butée qui convient suivant le diamètre de l'outil de coupe.

AVERTISSEMENT

Éviter impérativement tout contact de la scie circulaire avec des pierres ou avec le sol – risque de fissuration ! Réaffûter la lame à temps et conformément aux instructions – des dents émoussées peuvent entraîner une fissuration et, par la suite, l'éclatement de la scie – **risque d'accident !**

À l'abattage d'un arbre, la distance par rapport à tout autre poste de travail le plus proche devrait être au moins égale à deux fois la longueur de l'arbre.

Risque de rebond





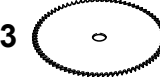








C'est dans la zone dessinée en noir qu'il y a les plus grands risques de rebond : ne jamais utiliser cette zone de l'outil de coupe pour attaquer une coupe ou pour scier.

La zone dessinée en gris présente aussi un risque de rebond : cette zone de l'outil de coupe ne devrait être utilisée, pour des techniques de travail particulières, que par des personnes dotées d'une formation spéciale et d'une bonne expérience.

C'est la zone dessinée en blanc qui permet un travail facile avec le moindre risque de rebond. Toujours attaquer une coupe avec cette zone.

Combinaisons autorisées d'outil de coupe, de capot protecteur, de butée et de harnais

| Outil de coupe | Capot protecteur, butée | Harnais |
|---|--|---|
|   |  |  |
|   |  | |
|    |  | |

Combinaisons autorisées

Suivant l'outil de coupe utilisé, choisir la combinaison correcte indiquée sur le tableau !

AVERTISSEMENT

Pour des questions de sécurité, il ne faut combiner que les outils de coupe et les capots protecteurs, ou butées, qui se trouvent sur la même ligne du tableau. D'autres combinaisons sont interdites – **risque d'accident !**

Outils de coupe

Outils de coupe métalliques

- 1 Couteau à taillis 305-2 Spezial (Ø 305 mm)
- 2 Couteau à taillis 300-3 (Ø 300 mm)
- 3 Scie circulaire 200 à dents pointues (Ø 200 mm)
- 4 Scie circulaire 200-22 à dents douces (4119), scie circulaire 200-22 HP à dents douces (4000)
- 5 Scie circulaire 225 à dents pointues (Ø 225 mm)

- 6 Scie circulaire 225 à dents douces (Ø 225 mm)
- 7 Scie circulaire 225 à plaquettes de carbure (Ø 225 mm)

AVERTISSEMENT

Il est interdit d'utiliser des couteaux à taillis ou des scies circulaires non métalliques.

Capot protecteur, butées

- 8 Capot protecteur pour outils de coupe métalliques, pièces 1, 2

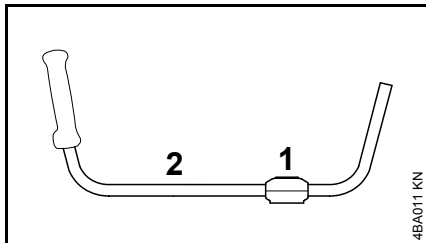
- 9 Butée pour scies circulaires,
pièces 3, 4
- 10 Butée pour scies circulaires,
pièces 5, 7

Harnais

- 11 Harnais double – obligatoire

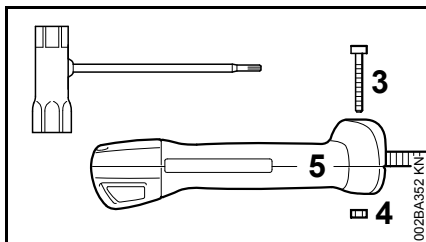
Montage du guidon

Montage du guidon avec support de guidon tournant

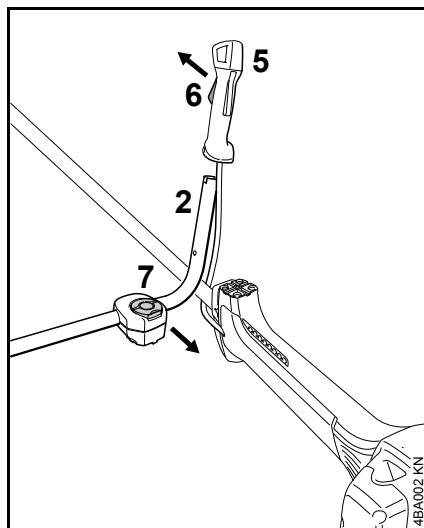


À la livraison, les mâchoires (1) sont déjà fixées sur le guidon (2).

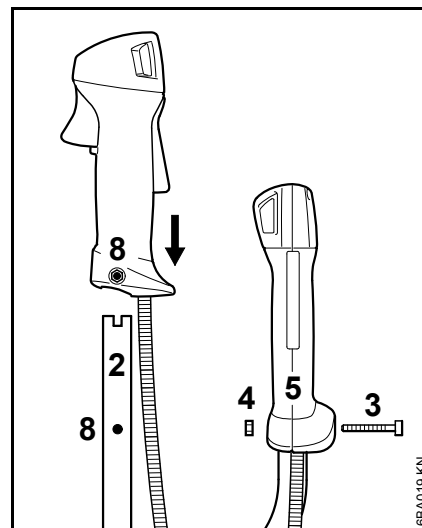
Montage de la poignée de commande



- Dévisser la vis (3) et sortir l'écrou (4) de la poignée de commande (5) ;



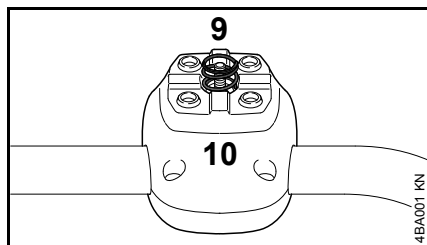
- ajuster la poignée de commande (5) par rapport au guidon (2) : la gâchette de commande des gaz (6) doit être orientée en direction du réducteur et la vis de serrage (7) en direction du moteur ;



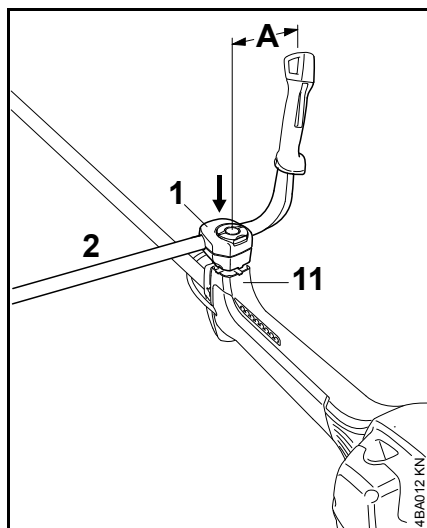
- en la maintenant dans la position indiquée, glisser la poignée de commande (5) sur l'extrémité du guidon (2), de telle sorte que les trous (8) coïncident ;
- mettre l'écrou (4) dans la poignée de commande (5), introduire la vis (3) dans la poignée de commande, la visser et la serrer.

Assemblage du support de guidon

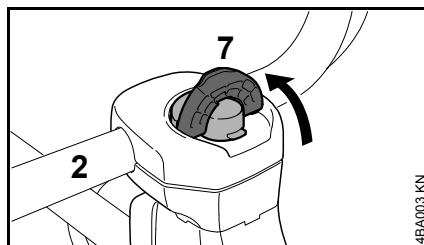
Pour l'assemblage du support de guidon pivotant, il faut que les mâchoires soient munies d'un ressort et fixées au support du guidon, sur la machine.



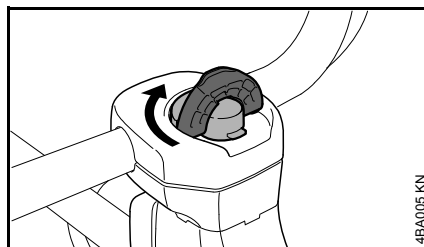
- Prendre le ressort (9) compris dans le jeu de pièces joint à la livraison de la machine ;
- mettre le ressort (9) dans la mâchoire inférieure (10) ;



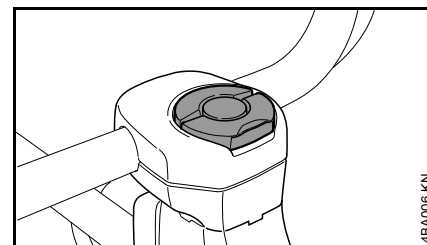
- appliquer les mâchoires (1) avec le guidon (2) sur le support du guidon (11) ;



- relever l'ailette de la vis à garrot (7) jusqu'à la verticale ;
- tourner la vis à garrot dans le sens inverse des aiguilles d'une montre, jusqu'en butée ;
- introduire à fond la vis à garrot dans le support de guidon et la visser – mais sans la serrer ;
- ajuster le guidon (2) de telle sorte que la distance (A) ne dépasse pas 15 cm (6 po) ;
- orienter le guidon perpendiculairement au tube de protection ;



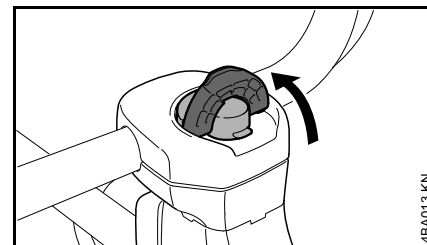
- tourner la vis à garrot à fond dans le sens des aiguilles d'une montre ;



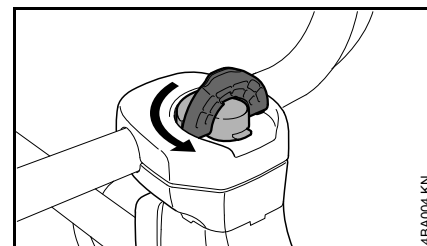
- rabattre l'ailette de la vis à garrot de telle sorte qu'elle affleure avec la surface.

Réglage du guidon

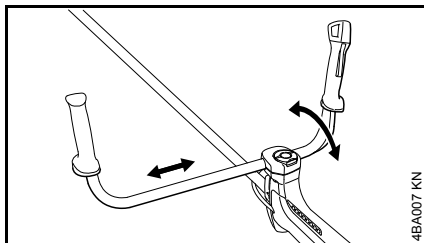
Ouverture de la vis à garrot



- Relever l'ailette de la vis à garrot jusqu'à la verticale ;

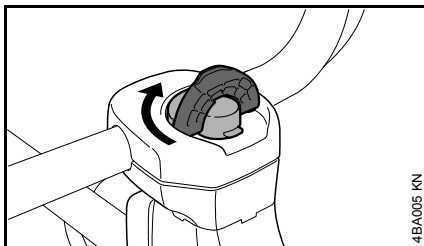


- tourner la vis à garrot dans le sens inverse des aiguilles d'une montre, jusqu'à ce qu'il soit possible de faire jouer le support du guidon ;

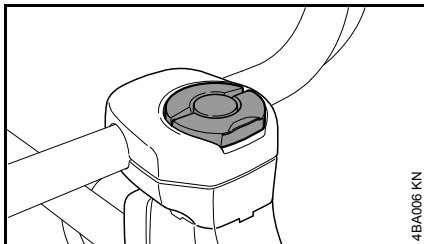


- amener le guidon dans la position souhaitée.

Fermeture de la vis à garrot



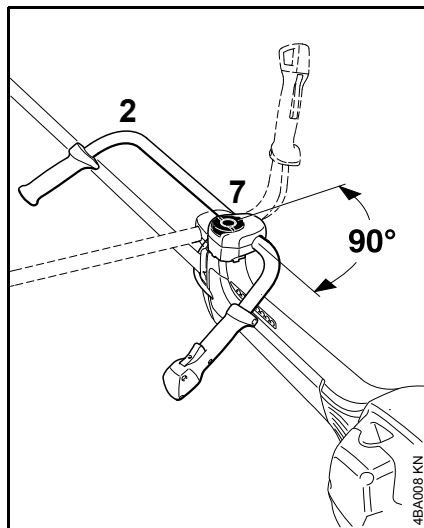
- Tourner la vis à garrot à fond dans le sens des aiguilles d'une montre ;



- rabattre l'ailette de la vis à garrot de telle sorte qu'elle affleure avec la surface.

Pivotement du guidon

dans la position de transport



- Desserrer la vis à garrot (7) et la dévisser jusqu'à ce que le guidon (2) puisse tourner dans le sens des aiguilles d'une montre ;
- faire pivoter le guidon de 90° et le basculer vers le bas ;
- serrer la vis à garrot (7).

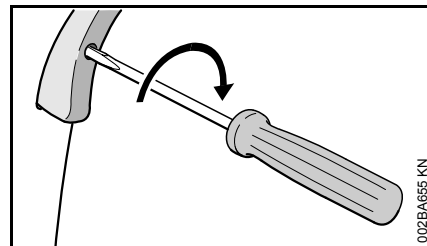
dans la position de travail

- Faire pivoter le guidon et le redresser en procédant dans l'ordre inverse de la description ci-dessus, en tournant dans le sens inverse des aiguilles d'une montre.

Réglage du câble de commande des gaz

Après l'assemblage de la machine ou au bout d'une assez longue période d'utilisation de la machine, une correction du réglage du câble de commande des gaz peut s'avérer nécessaire.

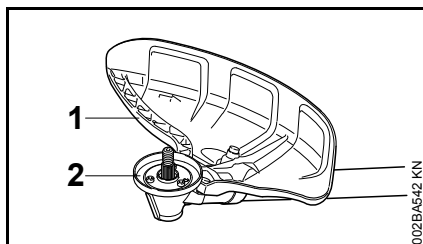
Ne procéder au réglage du câble de commande des gaz qu'après l'assemblage intégral de la machine.



- Amener la gâchette d'accélérateur en position pleins gaz ;
- tourner la vis située dans la gâchette d'accélérateur dans le sens de la flèche, jusqu'au premier point dur. Ensuite, exécuter encore un demi-tour supplémentaire dans le même sens.

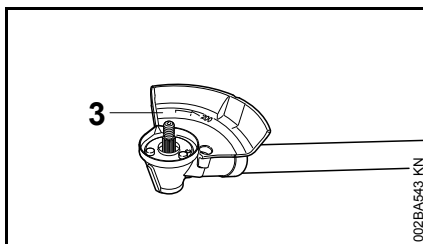
Montage des dispositifs de sécurité

Utiliser le capot protecteur qui convient



! AVERTISSEMENT

Le capot protecteur (1) est autorisé exclusivement pour des couteaux à taillis ; c'est pourquoi, avant de monter un couteau à taillis, il faut monter le capot protecteur (1) et remplacer l'anneau de protection (2), voir « Montage de l'outil de coupe » / « Montage des outils de fauchage ».

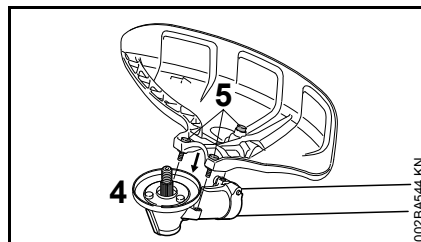


! AVERTISSEMENT

La butée (3) faisant office de capot protecteur est autorisée exclusivement pour des scies circulaires ; c'est pourquoi, avant de monter une scie circulaire, il faut monter la butée (3).

Montage du capot protecteur

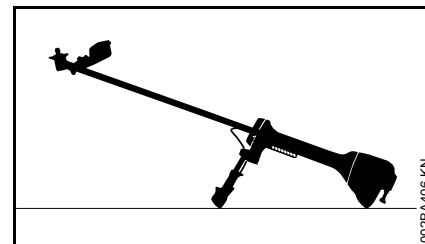
Les capots protecteurs (1 et 3) se fixent de la même manière, sur le réducteur.



- Enlever les saletés déposées dans les interstices du réducteur et du capot protecteur – veiller à ce que des saletés ne pénètrent pas dans les taraudages du réducteur.
- Poser le capot protecteur sur le réducteur (4) ;
- visser et serrer les vis (5).

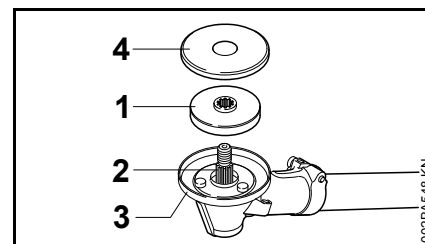
Montage de l'outil de coupe

Pose de la machine sur le sol



- Arrêter le moteur ;
- poser la machine de telle sorte que la prise pour outil de coupe soit orientée vers le haut.

Montage du disque de pression



- Glisser le disque de pression (1) sur l'arbre (2).

Départ usine, la machine est munie d'un anneau de protection (3) pour scies circulaires.



Pour la fixation de tous les outils de coupe, il est indispensable que le disque de pression (1) soit monté sur le réducteur.



Pour la fixation de toutes les scies circulaires, il est indispensable que la rondelle de protection (4) soit montée sur le réducteur.

Nettoyage des pièces du réducteur assurant la fixation de l'outil de coupe



Contrôler régulièrement, et à l'occasion d'un changement d'outil de coupe, si le voisinage et la zone intérieure de l'anneau de protection (3) ne sont pas encrassés. Les nettoyer si nécessaire, en procédant comme suit :

La rondelle de protection (4) n'est pas montée avec les scies circulaires.

- enlever la rondelle de protection (4) et le disque de pression (1) de l'arbre ;
- nettoyer soigneusement l'anneau de protection (3), l'arbre (2), le disque de pression (1) et la rondelle de protection (4) – pour le nettoyage, il ne faut pas démonter l'anneau de protection.

Montage de l'anneau de protection

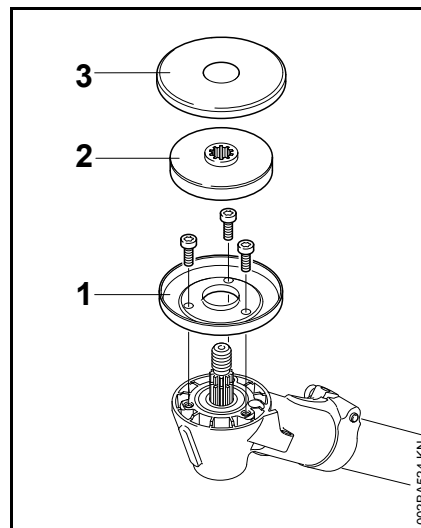
Il faut monter l'anneau de protection qui convient suivant l'outil de coupe respectivement utilisé.

Recommandation : l'anneau de protection doit être fixé très minutieusement et c'est pourquoi il est expressément recommandé de le faire monter par le revendeur spécialisé. STIHL recommande de s'adresser au revendeur spécialisé STIHL.

Les anneaux de protection suivants sont montés sur le réducteur ou peuvent être fournis en tant qu'accessoire optionnel :

Anneau de protection pour fauchage

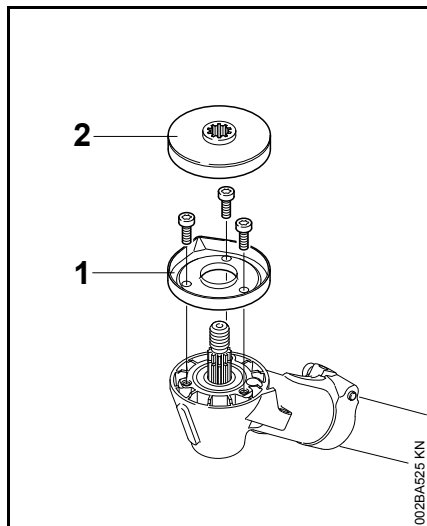
Pour le montage de couteaux à taillis, un kit « capot protecteur pour couteaux à taillis » est proposé à titre d'accessoire optionnel. Ce kit comprend un capot protecteur, une rondelle de protection et un anneau de protection pour outils de fauchage.



Pour éviter l'enroulement de l'herbe sur les **outils de fauchage**

- Monter l'anneau de protection (1) pour fauchage ;
- monter le disque de pression (2) et la rondelle de protection (3).

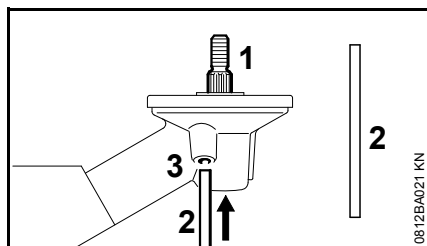
Anneau de protection pour sciage



Pour l'utilisation de **scies circulaires**

- Monter l'anneau de protection (1) pour sciage ;
- poser le disque de pression (2).

Blocage de l'arbre



Pour le montage et le démontage des outils de coupe, il faut bloquer l'arbre (1) à l'aide du mandrin de calage (2). Le mandrin de calage est compris dans le

jeu de pièces fourni à la livraison ou peut être livré en tant qu'accessoire optionnel.

- Glisser le mandrin de calage (2) jusqu'en butée dans l'orifice (3) du réducteur – en exerçant seulement une légère pression ;
- faire jouer l'arbre, l'écrou ou l'outil de coupe jusqu'à ce que le mandrin s'encliquette et que l'arbre soit bloqué.

Montage de l'outil de coupe

! AVERTISSEMENT

Monter le capot protecteur qui convient pour l'outil de coupe respectivement utilisé – voir « Montage des dispositifs de protection ».

Montage et démontage d'un outil de coupe métallique

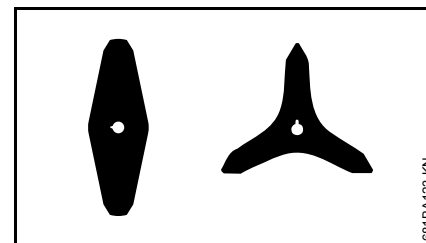
Avant de procéder au montage ou au démontage d'outils de coupe métalliques :

! AVERTISSEMENT

mettre des gants de protection – risque de blessure sur les tranchants acérés.

Couteaux à taillis 305-2 et 300-3

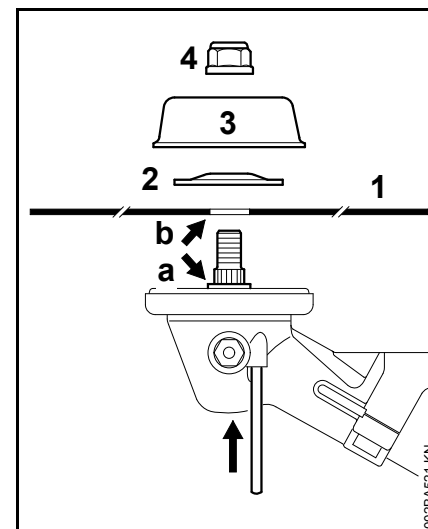
Positionnement de l'outil de coupe



Les outils de coupe à 2 ou 3 branches peuvent être orientés dans n'importe quel sens – retourner assez souvent ces outils de coupe pour éviter une usure unilatérale.

Montage de l'outil de coupe

- Monter l'anneau de protection pour fauchage ;



- poser l'outil de coupe (1) ;

! AVERTISSEMENT

Le collet (a) doit s'engager dans l'orifice (b) de l'outil de coupe !

Fixation de l'outil de coupe

- Poser la rondelle de pression (2) – avec le côté bombé orienté vers le haut ;
- poser le bol glisseur (3) (pour fauchage) ;
- bloquer l'arbre ;
- visser et serrer l'écrou (4) sur l'arbre en tournant dans le sens inverse des aiguilles d'une montre.

! AVERTISSEMENT

S'il tourne facilement sur le filetage, l'écrou doit être remplacé.



AVIS

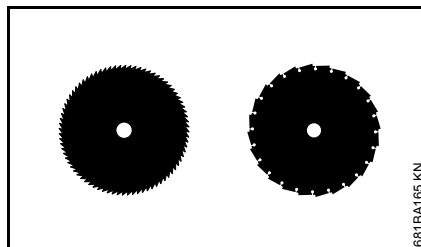
Enlever l'outil inséré pour bloquer l'arbre.

Démontage de l'outil de coupe

- Bloquer l'arbre ;
- desserrer l'écrou en tournant dans le sens des aiguilles d'une montre ;
- enlever, du réducteur, l'outil de coupe et ses pièces de fixation.

Scies circulaires 200 et 225

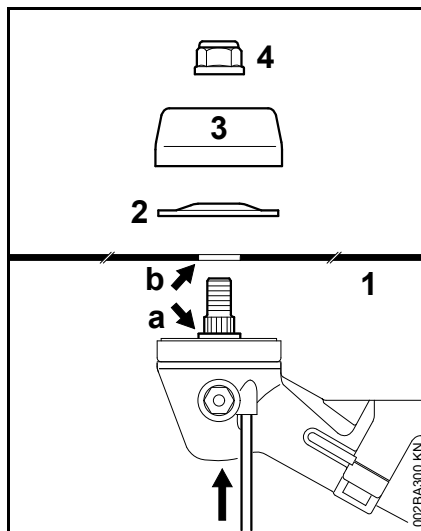
Positionnement de l'outil de coupe



Sur les scies circulaires, les tranchants doivent être orientés dans le sens des aiguilles d'une montre.

Montage de l'outil de coupe

- Monter l'anneau de protection pour sciage ;



- appliquer l'outil de coupe (1).

! AVERTISSEMENT

Le collet (a) doit s'engager dans l'orifice (b) de l'outil de coupe !

Fixation de l'outil de coupe

- Poser la rondelle de pression (2) – avec le côté bombé orienté vers le haut ;
- poser le bol glisseur (3) (pour sciage) ;
- bloquer l'arbre ;
- visser et serrer l'écrou (4) en tournant dans le sens inverse des aiguilles d'une montre.

! AVERTISSEMENT

S'il tourne facilement sur le filetage, l'écrou doit être remplacé.



AVIS

Enlever l'outil inséré pour bloquer l'arbre.

Démontage de l'outil de coupe

- Bloquer l'arbre ;
- desserrer l'écrou en tournant dans le sens des aiguilles d'une montre ;
- enlever, du réducteur, l'outil de coupe et ses pièces de fixation.

Carburant

Ce moteur est homologué pour l'utilisation avec de l'essence sans plomb et un taux de mélange de 50:1.

Votre moteur doit être alimenté avec un mélange composé de supercarburant (premium gasoline) de haute qualité et d'huile de haute qualité pour moteur deux-temps refroidi par air.

Utiliser du supercarburant de marque, sans plomb, dont l'indice d'octane atteint au moins 89 (R+M)/2.

Nota : Sur les machines munies d'un **catalyseur**, il faut faire le plein avec de l'essence **sans plomb**. Il suffirait de faire quelques fois le plein avec de l'essence plombée pour que l'efficacité du catalyseur se trouve réduite de plus de 50 %.

Du carburant à indice d'octane inférieur provoque un allumage anticipé (produisant un « cliquetis »), accompagné d'une élévation de la température du moteur. Cette surchauffe, à son tour, augmente le risque de grippage du piston et de détérioration du moteur.

La composition chimique du carburant est également importante. Certains additifs mélangés au carburant ne présentent pas seulement l'inconvénient de détériorer les élastomères (membranes du carburateur, bagues d'étanchéité, conduits de carburant etc.), mais encore les carters en magnésium. Cela peut perturber le fonctionnement ou même endommager le moteur. C'est pour cette raison qu'il

est extrêmement important d'utiliser exclusivement des carburants de haute qualité !

Des carburants à différentes teneurs en éthanol sont proposés. L'éthanol peut dégrader les caractéristiques de fonctionnement du moteur et accroît le risque de grippage par suite d'un appauvrissement excessif du mélange carburé.

De l'essence avec une teneur en éthanol supérieure à 10 % peut causer une dégradation des caractéristiques de fonctionnement et de graves endommagements sur les moteurs munis d'un carburateur à réglage manuel, et c'est pourquoi il n'est pas permis d'utiliser ce carburant sur de tels moteurs.

Les moteurs équipés du système de gestion moteur électronique M-Tronic peuvent fonctionner avec de l'essence contenant jusqu'à 25 % d'éthanol (E25).

Pour la composition du mélange, utiliser exclusivement l'huile STIHL pour moteur deux-temps ou de l'huile de marque de qualité équivalente pour moteur deux-temps refroidi par air.

Nous recommandons l'utilisation de l'huile STIHL 50:1 pour moteur deux-temps, car c'est la seule huile spécialement élaborée pour l'utilisation dans les moteurs STIHL.

Pour que le moteur STIHL atteigne les performances maximales, il faut utiliser de l'huile de haute qualité pour moteur deux-temps. Pour que le moteur fonctionne plus proprement et pour réduire la formation de dépôts de calamine nocifs, STIHL recommande d'utiliser de l'huile STIHL HP Ultra pour

moteur deux-temps ou de demander au revendeur une huile équivalente, entièrement synthétique, pour moteur deux-temps.

Pour satisfaire aux exigences des normes EPA et CARB, il est recommandé d'utiliser de l'huile STIHL HP Ultra.

Ne pas utiliser d'huiles de mélange BIA ou TCW (pour moteurs deux-temps refroidis par eau) !

Pour composer le mélange des modèles à **catalyseur**, utiliser exclusivement de **l'huile moteur hautes performances STIHL 50:1** ou une huile de qualité équivalente pour moteur deux-temps.

Manipuler le carburant avec précaution. Éviter tout contact direct de la peau avec le carburant et ne pas inhaler les vapeurs de carburant.

Le bouchon du bidon doit être toujours bien serré, pour éviter que de l'humidité pénètre dans le mélange.

Il convient de nettoyer de temps en temps le réservoir à carburant et les bidons utilisés pour le stockage du mélange.

Taux de mélange

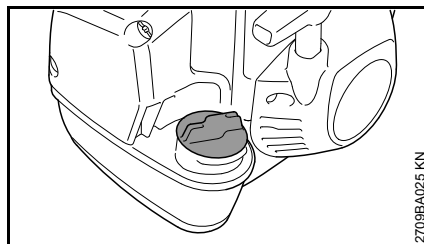
Ne mélanger que la quantité de carburant nécessaire pour quelques journées de travail ; ne pas dépasser une durée de stockage de 30 jours. Conserver le mélange exclusivement dans des bidons de sécurité homologués pour le carburant. Pour la composition du mélange, verser dans le bidon tout d'abord l'huile, puis rajouter l'essence.

Exemples

Essence Huile (STIHL 50:1 ou huiles de haute qualité équivalentes)

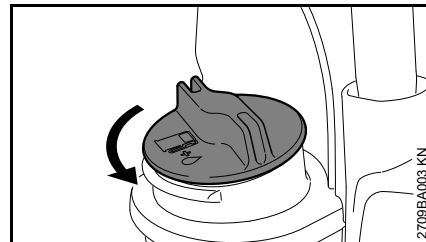
| litres | litres | (ml) |
|--------|--------|-------|
| 1 | 0,02 | (20) |
| 5 | 0,10 | (100) |
| 10 | 0,20 | (200) |
| 15 | 0,30 | (300) |
| 20 | 0,40 | (400) |
| 25 | 0,50 | (500) |

Entreposer les bidons remplis de mélange exclusivement à un endroit autorisé pour le stockage de carburants.

Ravitaillement en carburant**Bouchon de réservoir à carburant****! AVERTISSEMENT**

Pour refaire le plein sur un terrain en pente, toujours orienter la machine de telle sorte que le bouchon du réservoir à carburant se trouve en amont, par rapport à la déclivité.

- Sur un terrain plat, poser la machine de telle sorte que le bouchon soit orienté vers le haut.
- Avant de faire le plein, nettoyer le bouchon du réservoir et son voisinage, afin qu'aucune impureté ne risque de pénétrer dans le réservoir à carburant.

Ouverture du bouchon du réservoir

- Tourner le bouchon dans le sens inverse des aiguilles d'une montre jusqu'à ce qu'il puisse être enlevé de l'orifice du réservoir ;
- enlever le bouchon du réservoir.

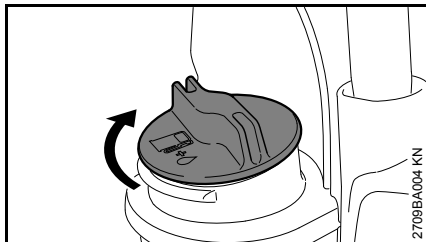
Ravitaillement en carburant

En faisant le plein, ne pas renverser du carburant et ne pas remplir le réservoir jusqu'au bord.

STIHL recommande d'utiliser le système de remplissage STIHL pour carburant (accessoire optionnel).

- Refaire le plein de carburant.

Fermeture du bouchon du réservoir



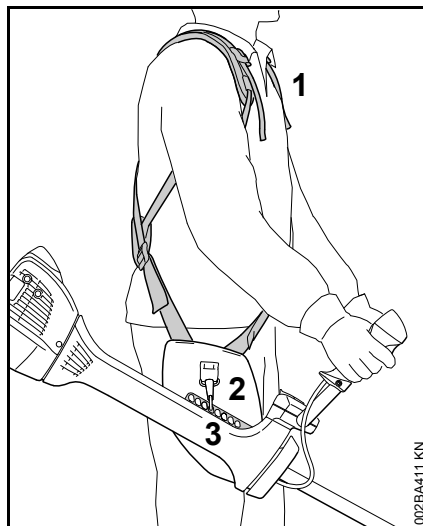
- Présenter le bouchon sur l'orifice ;
- tourner le bouchon dans le sens des aiguilles d'une montre, jusqu'en butée, puis le serrer le plus fermement possible, à la main.

Utilisation du harnais double

L'utilisation du harnais double est décrite en détails dans un folio joint au harnais double.

Le type et la version du harnais double diffèrent suivant les marchés.

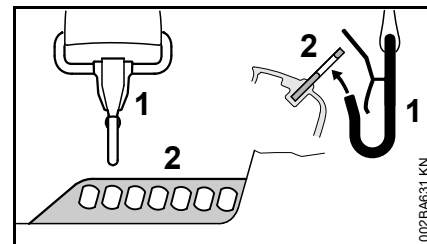
Utilisation du harnais



- Mettre le harnais double (1) ;
- régler la longueur de la sangle de telle sorte que le mousqueton (2) se trouve environ à une largeur de paume en dessous de la hanche droite ;

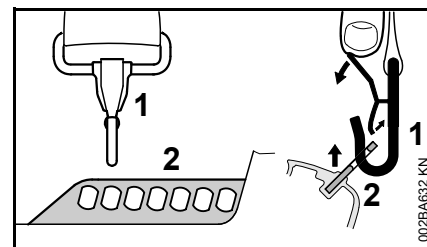
- accrocher le mousqueton sur la réglette de suspension (3) à trous de la machine – voir « Accrochage du harnais » ;
- ensuite, déterminer le point de suspension qui convient suivant l'outil de coupe monté – voir « Équilibrage ».

Accrochage de la machine au harnais



- Accrocher le mousqueton (1) à la réglette de suspension à trous (2) fixée sur le tube.

Décrochage de la machine du harnais



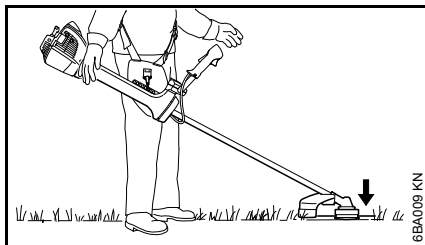
- Appuyer sur la languette du mousqueton (1) et sortir la réglette de suspension à trous (2) du mousqueton.

Équilibrage

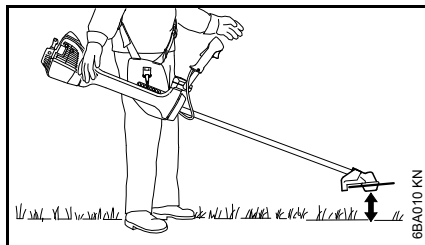
Suivant l'outil de coupe monté, la machine doit être équilibrée de différentes manières.

- La machine étant accrochée au harnais, la laisser pendre de telle sorte qu'elle s'équilibre – au besoin, modifier la position du point de suspension.

Positions d'équilibre



Les couteaux à taillis doivent légèrement porter sur le sol.



Les scies circulaires doivent « flotter » à environ 20 cm du sol.

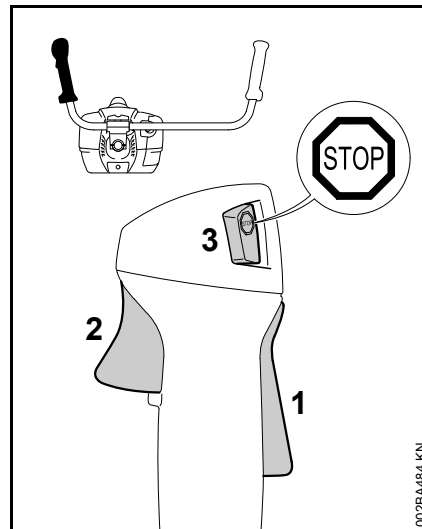
Dégagement rapide


! AVERTISSEMENT

En cas de danger imminent, il faut se dégager rapidement de la machine et la jeter loin de soi. S'entraîner pour pouvoir se dégager rapidement de la machine. Lors de cet exercice, ne pas jeter la machine sur le sol, pour ne pas risquer de l'endommager.

Mise en route / arrêt du moteur

Éléments de commande



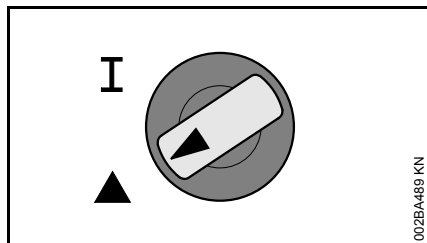
- 1 Blocage de gâchette d'accélérateur
- 2 Gâchette d'accélérateur
- 3 Bouton d'arrêt – avec les positions pour **marche normale** et **Stop** = arrêt. Pour couper le contact, il faut enfoncer le bouton d'arrêt ().

Fonctionnement du bouton d'arrêt et de l'allumage

Lorsque le bouton d'arrêt n'est pas actionné, il se trouve en position de **marche normale** : le contact d'allumage est mis – le moteur est prêt à démarrer et peut être lancé. Lorsqu'on actionne le

bouton d'arrêt, le contact est coupé.
Après l'arrêt du moteur, le contact d'allumage est remis automatiquement.

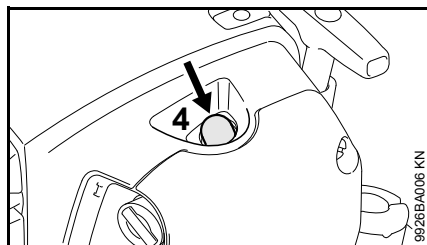
Symboles sur le levier du volet de starter



Position de marche normale I – c'est dans cette position que l'on démarre le moteur chaud et que le moteur fonctionne normalement.

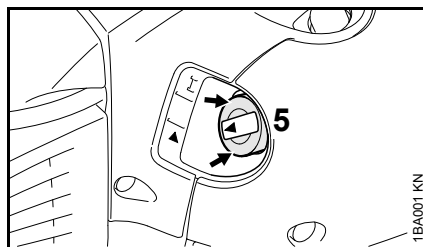
Démarrage ▲ – c'est dans cette position que l'on démarre le moteur froid.

Mise en route du moteur



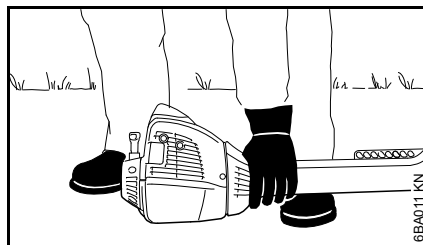
- Enfoncer au moins 5 fois le soufflet de la pompe d'amorçage manuelle (4) – même si le soufflet est rempli de carburant ;

Le levier du volet de starter se trouve dans la position de marche normale I.



- si le moteur est froid : enfoncer le levier du volet de starter (5), en agissant sur le bord (flèches), et le tourner dans la position de démarrage ▲.

Lancement du moteur



- Poser la machine sur le sol, dans une position sûre : la plaque de protection du moteur et le capot protecteur de l'outil de coupe servent d'appuis. L'outil de coupe ne doit entrer en contact ni avec le sol, ni avec un objet quelconque ;
- se tenir dans une position bien stable – différentes positions possibles : debout, penché en avant ou à genoux ;
- avec la main gauche, plaquer **fermement** la machine sur le sol – en ne touchant ni à la gâchette d'accélérateur, ni au blocage de gâchette d'accélérateur ;



Ne pas poser le pied ou le genou sur le tube !



- avec la main droite, saisir la poignée du lanceur ;
- tirer régulièrement sur la poignée du lanceur ;



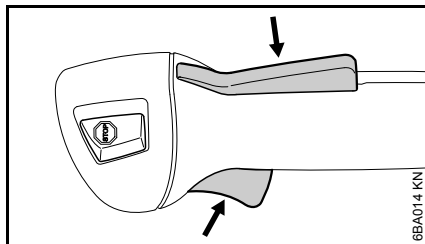
Ne pas sortir le câble sur toute sa longueur – il **risquerait de casser** !

- ne pas lâcher la poignée du lanceur – la guider à la main dans le sens opposé à la traction, de telle sorte que le câble de lancement puisse s'enrouler correctement ;
- lancer le moteur jusqu'à ce qu'il démarre ;
- si toutefois le moteur ne démarre pas : placer le levier de volet de starter dans la position de démarrage ▲ et relancer le moteur de la machine.

Utilisation de la machine

Pour la première mise en service de la machine, suivre les indications du paragraphe « La première mise en

service » de la section « Indications complémentaires concernant la mise en route du moteur ».



- Si le moteur a été mis en route en position de démarrage ▲ : appuyer brièvement et simultanément sur le blocage de gâchette d'accélérateur et sur la gâchette d'accélérateur – le levier de volet de starter saute en position de marche normale I et le moteur passe au ralenti ;

La machine est prête à l'utilisation.

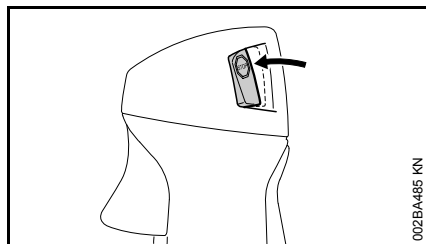
! AVERTISSEMENT

Lorsque le levier se trouve en position de marche normale I et que le moteur tourne au ralenti, l'outil de coupe ne doit pas être entraîné !

Si l'outil de coupe tourne au ralenti, suivre les indications du chapitre « Réglage du câble de commande des gaz » ou faire réparer la machine par le revendeur spécialisé. STIHL recommande de s'adresser au revendeur spécialisé STIHL.

- accrocher la machine au harnais ;
- utiliser la machine.

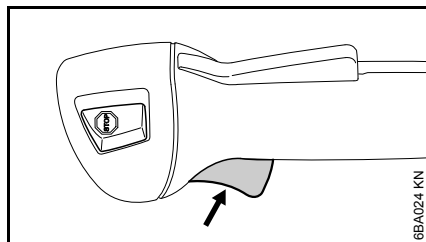
Arrêt du moteur



- Enfoncer le bouton d'arrêt – le moteur s'arrête – relâcher le bouton d'arrêt – le bouton d'arrêt revient dans la position initiale, sous l'effet de son ressort.

Indications complémentaires concernant la mise en route du moteur

La première mise en service



- Enfoncer la gâchette d'accélérateur – **sans** actionner le blocage de gâchette d'accélérateur.

Si dans ce cas le régime du moteur s'élève et/ou que l'outil de coupe est entraîné :

- continuer comme indiqué à la section « Arrêt du moteur » ;
- continuer comme indiqué au chapitre « Réglage du câble de commande des gaz ».

Si le régime du moteur ne s'élève pas, la machine est en ordre de marche et peut être utilisée.

À des températures très basses

- Le cas échéant, procéder au réglage pour l'utilisation en hiver, voir « Utilisation en hiver » ;
- si la machine est extrêmement froide (formation de givre), après la mise en route, amener le moteur à sa température de service en le faisant tourner avec le levier en position de démarrage ▲ – Attention ! L'outil de coupe est alors entraîné !

Si le moteur ne démarre pas

- Contrôler si tous les éléments de commande sont réglés correctement ;
- contrôler s'il y a du carburant dans le réservoir, refaire le plein si nécessaire ;
- contrôler si le contact du câble d'allumage est fermement emboîté sur la bougie ;
- répéter la procédure de mise en route du moteur.

Si le moteur est noyé

- Placer le levier du volet de starter en position I – continuer de lancer le moteur jusqu'à ce qu'il démarre.

Si le moteur est tombé en panne sèche

- Après avoir fait le plein, enfoncer au moins 5 fois le soufflet de la pompe d'amorçage – même si le soufflet est rempli de carburant ;
- redémarrer le moteur.

Instructions de service**Au cours de la première période d'utilisation**

Jusqu'à épuisement des trois premiers pleins du réservoir, ne pas faire tourner le dispositif à moteur neuf à haut régime, à vide, afin d'éviter une sollicitation supplémentaire au cours du rodage. Durant le rodage, les éléments mobiles doivent s'adapter les uns aux autres – les frictions à l'intérieur du bloc-moteur offrent une résistance assez élevée. Le moteur n'atteint sa puissance maximale qu'au bout d'une période d'utilisation correspondant à la consommation de 5 à 15 pleins du réservoir.

Au cours du travail

Après une assez longue phase de fonctionnement à pleine charge, laisser le moteur tourner au ralenti pendant quelques instants – le plus gros de la chaleur est alors dissipé par le flux d'air de refroidissement, ce qui évite une accumulation de chaleur qui soumettrait les pièces rapportées sur le bloc-moteur (allumage, carburateur) à des sollicitations thermiques extrêmes.

Après le travail

Pour une courte période d'immobilisation : laisser le moteur refroidir. Veiller à ce que le réservoir à carburant soit complètement vide et, jusqu'à la prochaine utilisation, ranger le dispositif à un endroit sec, à l'écart de

toute source d'inflammation. Pour une assez longue période d'immobilisation – voir « Rangement du dispositif » !

Filtere à air

Informations de base

Les intervalles de maintenance du filtre sont très longs.

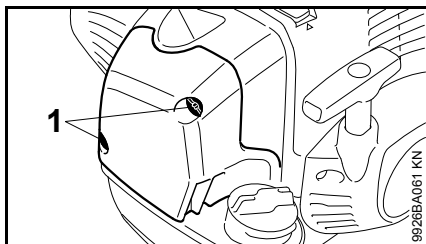
Ne pas enlever le couvercle de filtre et ne pas remplacer le filtre à air tant que l'on ne constate pas de perte de puissance sensible.

Si le filtre à air est encrassé, la puissance du moteur baisse, la consommation de carburant augmente et la mise en route du moteur devient plus difficile.

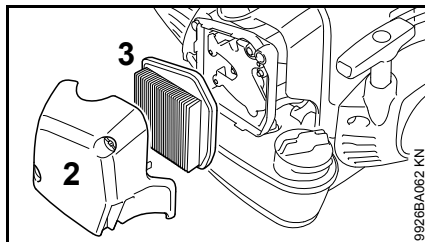
Remplacement du filtre à air

Seulement si la puissance du moteur baisse sensiblement

- Tourner le levier du volet de starter dans la position ▲ ;



- desserrer les vis de fixation (1) ;



- enlever le couvercle de filtre (2) ;
- nettoyer grossièrement la face intérieure du couvercle de filtre et le voisinage du filtre (3) ;

Le filtre (3) assure la filtration de l'air à travers un élément filtrant en papier plissé.

- enlever et contrôler le filtre (3) – le remplacer en cas d'encrassement ou d'endommagement du papier ou du cadre de l'élément filtrant ;
- déballer le filtre neuf ;



Avant sa mise en place, le filtre ne doit être ni recourbé, ni plié, car il risquerait d'être endommagé – ne pas utiliser un filtre endommagé !

- mettre le filtre dans le boîtier de filtre ;
- monter le couvercle du filtre.

Utiliser exclusivement des filtres à air de haute qualité, pour protéger le moteur contre la pénétration de poussière abrasive.

STIHL recommande d'utiliser exclusivement des filtres à air d'origine STIHL. Le haut niveau de qualité de ces pièces garantit un fonctionnement sans

dérangements, une grande longévité du moteur et de très longs intervalles de maintenance du filtre.

Élément filtrant pour l'utilisation en hiver

Pour l'entretien et la maintenance de l'élément filtrant spécial pour l'utilisation en hiver, voir le chapitre « Utilisation en hiver ».

Gestion moteur

La régulation des émissions de nuisances à l'échappement est assurée par la définition des paramètres et la configuration des composants du moteur de base (par ex. carburation, allumage, calage de l'allumage et de la distribution),

M-Tronic

Informations de base

La M-Tronic assure la régulation électronique du débit de carburant et du point d'allumage dans toutes les conditions de fonctionnement.

Avec la M-Tronic, la mise en route du moteur est plus facile et plus rapide. Indépendamment des conditions climatiques et des températures du moteur, on procède à la mise en route du moteur avec le levier de starter en position de démarrage ▲. Après la mise en route du moteur, on peut laisser le levier de starter en position de démarrage ▲ jusqu'à ce que le moteur tourne rond et ne risque plus de caler.

La M-Tronic garantit le rendement optimal du moteur en toutes circonstances, une excellente reprise et une adaptation automatique en fonction des variations des conditions de fonctionnement.

C'est pourquoi aucune correction manuelle du réglage du carburateur n'est nécessaire – le carburateur ne possède pas de vis de réglage.

Si, en cas de changement extrême des conditions d'utilisation, le moteur ne fonctionne plus parfaitement et n'atteint plus sa puissance habituelle, il faut s'adresser à un revendeur spécialisé.

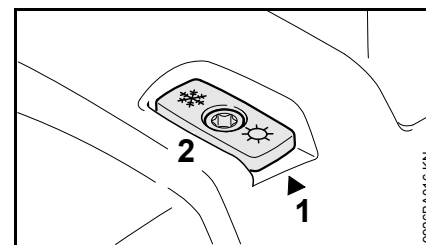
STIHL recommande de faire effectuer les opérations de maintenance et les réparations exclusivement chez le revendeur spécialisé STIHL.

Utilisation en hiver

À des températures inférieures à +10 °C :

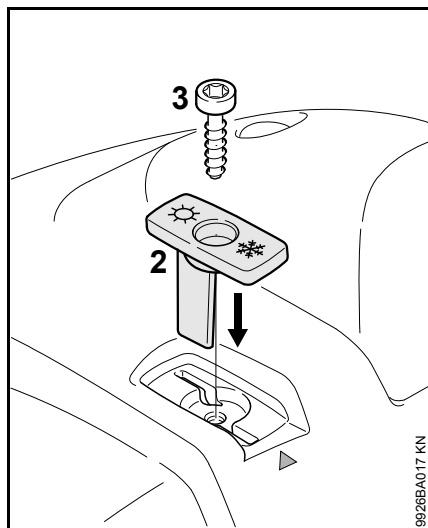
Préchauffage du carburateur

Après la transposition d'un tiroir, en plus de l'air froid, le moteur aspire de l'air réchauffé en balayant le cylindre, ce qui évite le givrage du carburateur.



Une flèche appliquée sur le capot (1) indique la position du tiroir (2) respectivement pour l'utilisation en été et pour l'utilisation en hiver. Signification des symboles :

- symbole « soleil » = utilisation en été ;
- symbole « cristal de neige » = utilisation en hiver :

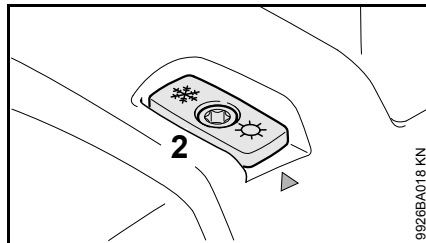


- dévisser et enlever la vis (3) du tiroir ;
- extraire le tiroir (2) du capot ;
- tourner le tiroir (2) de la position d'été dans la position d'hiver et le remettre en place ;
- visser la vis (3) dans le capot, à travers le tiroir.

À des températures situées entre +10 °C et +20 °C

Dans cette plage de températures, la machine peut être normalement utilisée avec le tiroir (2) en position d'été. Transposer le tiroir suivant besoin.

À des températures supérieures à +20 °C



- Remettre impérativement le tiroir (2) dans la position d'été.



AVIS

À des températures supérieures à +20 °C, il ne faut pas travailler avec le tiroir en position d'hiver, car des dysfonctionnements du moteur pourraient se produire par suite d'une surchauffe !

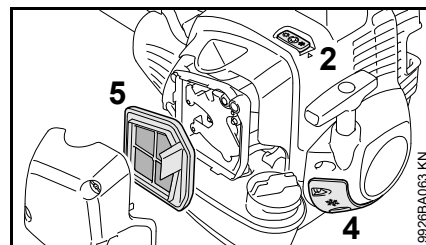
À des températures inférieures à -10 °C

Pour des conditions hivernales extrêmes, dans les situations suivantes :

- températures inférieures à -10 °C ;
- neige poudreuse ou soulevée par le vent ;

il est recommandé d'utiliser le « kit plaque de recouvrement » livrable à titre d'accessoire optionnel.

Deux « kits plaque de recouvrement » différents, à utiliser suivant la version du bouchon du réservoir, sont disponibles.



Les « kits plaque de recouvrement » comprennent les pièces suivantes nécessaires pour la transformation de la machine :

- 4 plaque de recouvrement pour masquer partiellement les fentes du carter du lanceur ;
- 5 élément filtrant en tissu et matière synthétique pour le filtre à air ;
- folio décrivant la transformation de la machine.

En plus pour les machines avec bouchon de réservoir à carburant à ailette rabattable :

- joint torique pour le bouchon du réservoir à carburant.

Après le montage du kit plaque de recouvrement :

- placer le tiroir (2) en position d'hiver.

À des températures supérieures à -10 °C

- Retransformer la machine et remplacer les pièces du kit plaque de recouvrement par les pièces pour l'utilisation en été.

Remarque concernant les machines munies d'un bouchon de réservoir à carburant à ailette rabattable : le joint

torique du « kit plaque de recouvrement » monté sur le bouchon du réservoir à carburant peut rester sur la machine.

Suivant la température ambiante :

- placer le tiroir (2) en position d'été ou d'hiver.

Nettoyage du filtre à air

- Desserrer les vis de fixation du couvercle de filtre ;
- enlever le couvercle de filtre ;
- nettoyer grossièrement la face intérieure du couvercle de filtre et le voisinage du filtre (5) ;
- battre le filtre (5) ou le nettoyer à l'air comprimé, de l'intérieur vers l'extérieur ;

En cas d'encrassement persistant ou si les saletés sont agglutinées dans le tissu du filtre :

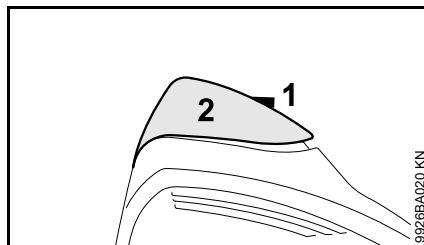
- laver le filtre dans une solution de nettoyage propre et ininflammable (par ex. de l'eau savonneuse chaude) et le faire sécher.

Un filtre endommagé doit être remplacé.

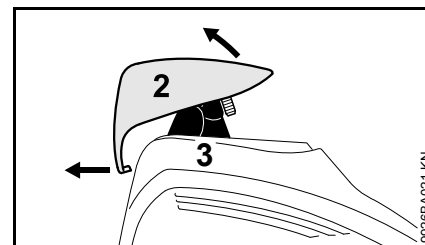
Bougie

- En cas de manque de puissance du moteur, de difficultés de démarrage ou de perturbations au ralenti, contrôler tout d'abord la bougie ;
- après env. 100 heures de fonctionnement, remplacer la bougie – la remplacer plus tôt si les électrodes sont fortement usées – utiliser exclusivement les bougies antiparasitées autorisées par STIHL – voir « Caractéristiques techniques ».

Démontage de la bougie

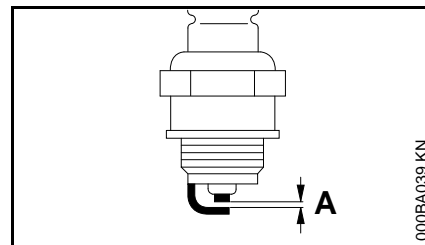


- Tourner la vis (1) du capuchon (2) jusqu'à ce que la tête de la vis dépasse du capuchon (2) et que la partie avant du capuchon puisse être relevée ;



- soulever la partie avant du capuchon (2) et la pousser vers l'arrière pour défaire l'encliquetage ;
- enlever le capuchon ;
- débrancher le contact de câble d'allumage de la bougie (3) ;
- dévisser la bougie.

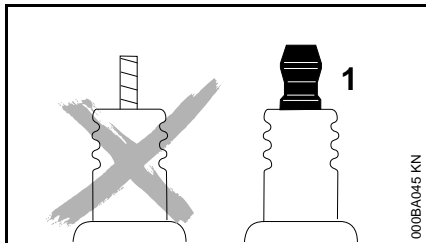
Contrôler la bougie



- Nettoyer la bougie si elle est encrassée ;
- contrôler l'écartement des électrodes (A) et le rectifier si nécessaire – pour la valeur correcte, voir « Caractéristiques techniques » ;
- éliminer les causes de l'encrassement de la bougie.

Causes possibles :

- trop d'huile moteur dans le carburant ;
- filtre à air encrassé ;
- conditions d'utilisation défavorables.



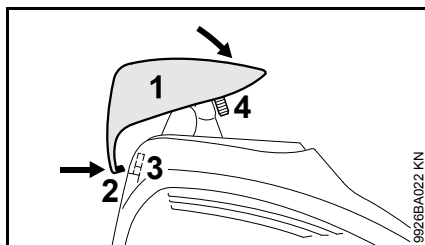
AVERTISSEMENT

Si l'écrou de connexion (1) manque ou n'est pas fermement serré, un jaillissement d'étincelles peut se produire. Si l'on travaille dans le voisinage de matières inflammables ou présentant des risques d'explosion, cela peut déclencher un incendie ou une explosion. Cela peut causer des dégâts matériels et des personnes risquent d'être grièvement blessées.

- Utiliser des bougies antiparasitées avec écrou de connexion fixe.

Montage de la bougie

- Visser la bougie ;
- emboîter **fermement** le contact de câble d'allumage sur la bougie ;



- présenter le capuchon (1) sur le capot, par l'arrière et en l'inclinant légèrement, et enfoncer son ergot (2) dans l'orifice (3) du capot ;
- basculer le capuchon en avant, sur le capot, puis visser et serrer la vis (4).

Fonctionnement du moteur

Si, après la maintenance du filtre à air et le réglage correct du câble de commande des gaz, le fonctionnement du moteur n'est pas satisfaisant, ce défaut peut aussi provenir du silencieux d'échappement.

Demander au revendeur spécialisé de contrôler si le silencieux n'est pas encrassé (calaminé) !

STIHL recommande de faire effectuer les opérations de maintenance et les réparations exclusivement chez le revendeur spécialisé STIHL.

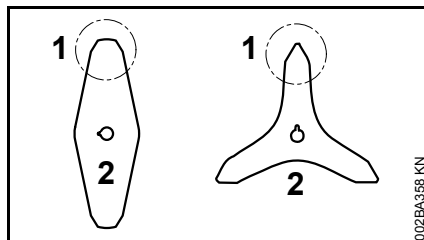
Rangement

Pour un arrêt de travail de 3 mois ou plus,

- vider et nettoyer le réservoir à carburant à un endroit bien aéré ;
- éliminer le carburant conformément à la législation et aux prescriptions pour la protection de l'environnement ;
- mettre le moteur en marche et le laisser tourner jusqu'à ce que le carburateur soit vide, sinon les membranes du carburateur risqueraient de se coller !
- enlever l'outil de coupe, le nettoyer et le contrôler. Traiter les outils de coupe métalliques avec de l'huile de protection ;
- nettoyer soigneusement la machine ;
- conserver la machine à un endroit sec et sûr – la ranger de telle sorte qu'elle ne puisse pas être utilisée sans autorisation (par ex. par des enfants).

Affûtage des outils de coupe métalliques

- En cas d'usure minimale, réaffûter les outils de coupe avec une lime d'affûtage (accessoire optionnel) – en cas d'usure prononcée ou d'ébréchure, les réaffûter avec une affûteuse ou les faire réaffûter par le revendeur spécialisé – STIHL recommande de s'adresser au revendeur spécialisé STIHL ;
- affûter assez souvent, mais en enlevant peu de matière : pour un simple réaffûtage, il suffit généralement de donner deux ou trois coups de lime ;



- affûter uniformément les lames (1) du couteau – ne pas modifier le contour du corps de l'outil (2).

D'autres instructions à suivre pour l'affûtage sont imprimées sur l'emballage de l'outil de coupe.

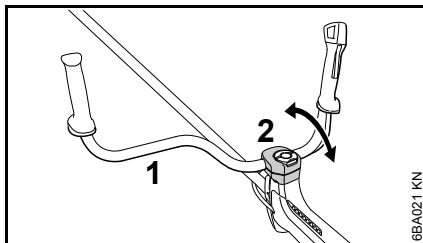
Équilibrage

- Après le 5e réaffûtage, environ, contrôler le balourd avec l'équilibreuse STIHL (accessoire optionnel) – au besoin, rééquilibrer l'outil de coupe ou le faire rééquilibrer par le revendeur

spécialisé – STIHL recommande de s'adresser au revendeur spécialisé STIHL.

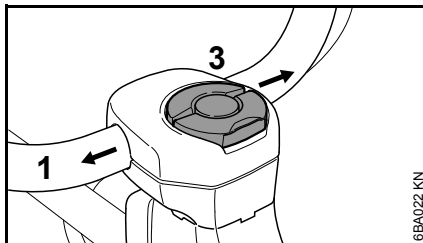
Contrôle et maintenance par l'utilisateur

Point de serrage du guidon



- Contrôler périodiquement la mobilité du guidon (1) dans les mâchoires de serrage (2).

Si le déplacement du guidon est difficile



- Desserrer la vis à garrot (3) juste assez pour qu'il soit possible de faire bouger le guidon ;
- pousser le guidon (1) sur le côté pour le dégager de la zone de serrage ;
- imbiber un chiffon avec un produit de nettoyage propre et ininflammable – mais pas avec un produit contenant de l'huile ou de la graisse ;

- avec ce chiffon imbibé, nettoyer soigneusement toute la zone de serrage du guidon ;
- ajuster le guidon et le refixer avec la vis à garrot.

S'il n'est pas possible de serrer fermement le guidon

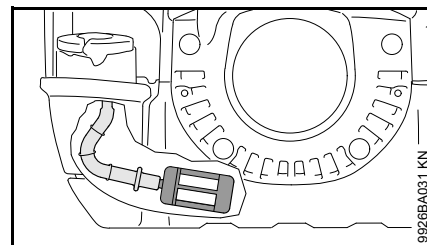
- Dégager le guidon des mâchoires de serrage comme décrit à la section « Si le déplacement du guidon est difficile » ;
- dégraisser les zones de serrage sur le guidon et dans les mâchoires ;
- ajuster le guidon et le refixer avec la vis à garrot.

Contrôle et maintenance par le revendeur spécialisé

Travaux de maintenance

STIHL recommande de faire effectuer les opérations de maintenance et les réparations exclusivement chez le revendeur spécialisé STIHL.

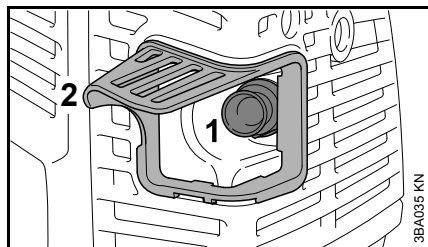
Crépine d'aspiration du réservoir à carburant



- Faire contrôler, et remplacer si nécessaire, la crépine d'aspiration du réservoir à carburant une fois par an.

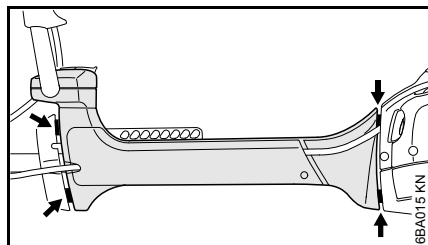
À l'intérieur du réservoir à carburant, la crépine d'aspiration doit se trouver la zone montrée sur l'illustration.

Pare-étincelles dans le silencieux et entretoise



- Si la puissance du moteur baisse, faire contrôler le pare-étincelles (1) du silencieux ;
- s'assurer que l'entretoise (2) n'est pas endommagée ;
- si l'entretoise (2) est endommagée, la remplacer immédiatement.

Éléments antivibratoires

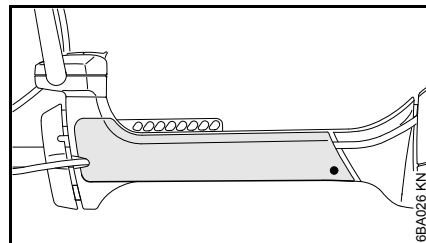


Quatre éléments amortissant les vibrations (flèches) sont intercalés entre l'ensemble moteur et le tube. Les faire vérifier si une élévation permanente du taux de vibrations devient perceptible.

Départ usine, les deux fentes (flèches) permettant le débattement du système antivibratoire sont réglées à une cote bien déterminée et ont la même largeur.

Si l'on constate que les deux fentes ont des largeurs nettement différentes et/ou qu'une fente est fermée, il faut impérativement faire réparer le système antivibratoire par le revendeur spécialisé.

Patin anti-usure sur le carter AV



Un patin anti-usure aisément remplaçable se trouve sur le côté du carter du système antivibratoire. Au cours du travail, ce patin anti-usure peut s'user sous l'effet des mouvements de la machine frottant sur la plaque latérale du harnais. Le cas échéant, il peut être remplacé.

Instructions pour la maintenance et l'entretien

| Les indications ci-après sont valables pour des conditions d'utilisation normales. Pour des conditions plus difficiles (ambiance très poussiéreuse etc.) et des journées de travail plus longues, réduire en conséquence les intervalles indiqués. | | avant de commencer le travail | après le travail ou une fois par jour | après chaque ravitaillement | une fois par semaine | une fois par mois | une fois par an | en cas de panne | en cas de détérioration | au besoin |
|--|---|-------------------------------|---------------------------------------|-----------------------------|----------------------|-------------------|-----------------|-----------------|-------------------------|-----------|
| Machine complète | Contrôle visuel (état impeccable pour un fonctionnement en toute sécurité, étanchéité) | X | | X | | | | | | |
| | Nettoyage | | X | | | | | | | |
| | Remplacement des pièces endommagées | X | | | | | | | | |
| Poignée de commande | Contrôle du fonctionnement | X | | X | | | | | | |
| Filtre à air, filtre en papier | Contrôle visuel | | | | | X | | X | | |
| | Remplacement ¹⁾ | | | | | | | | X | |
| Filtre à air, filtre tissé en matière synthétique | Contrôle visuel | | | | | X | | X | | |
| | Nettoyage | | | | | | | | | X |
| | Remplacement | | | | | | | | X | X |
| Réservoir à carburant | Nettoyage | | | | | | | | | X |
| Pompe d'amorçage manuelle (si la machine en est équipée) | Contrôle | X | | | | | | | | |
| | Remise en état par revendeur spécialisé ²⁾ | | | | | | | | X | |
| Crépine d'aspiration dans le réservoir à carburant | Contrôle ²⁾ | | | | | | | X | | |
| | Remplacement ²⁾ | | | | | | X | | X | X |
| Ralenti | Contrôle, l'outil de coupe ne doit pas être entraîné | X | | X | | | | | | |
| | Si l'outil de coupe tourne au ralenti, faire réparer la machine par le revendeur spécialisé ²⁾ | | | | | | | | | X |
| Bougie | Réglage de l'écartement des électrodes | | | | | | | X | | |
| | Remplacement toutes les 100 heures de fonctionnement | | | | | | | | | |

| Les indications ci-après sont valables pour des conditions d'utilisation normales. Pour des conditions plus difficiles (ambiance très poussiéreuse etc.) et des journées de travail plus longues, réduire en conséquence les intervalles indiqués. | | avant de commencer le travail | après le travail ou une fois par jour | après chaque ravitaillement | une fois par semaine | une fois par mois | une fois par an | en cas de panne | en cas de détérioration | au besoin |
|--|--|-------------------------------|---------------------------------------|-----------------------------|----------------------|-------------------|-----------------|-----------------|-------------------------|-----------|
| Orifice d'aspiration d'air de refroidissement | Contrôle visuel | | X | | | | | | | |
| | Nettoyage | | | | | | | | | X |
| Ailettes du cylindre | Nettoyage ²⁾ | | | | | | X | | | |
| Pare-étincelles dans le silencieux | Contrôle ²⁾ | | | | | | | X | | |
| | Nettoyage ou remplacement ²⁾ | | | | | | | | X | |
| Pièce d'écartement | Contrôle | X | | | | | | | | |
| | Remplacement ²⁾ | X | | | | | | X | | |
| Canal d'échappement | Décalaminage au bout de 139 h de fonctionnement, puis toutes les 150 h | | | | | | | | | X |
| Vis et écrous accessibles (sauf les vis de réglage) ³⁾ | Resserrage | | | | | | | | | X |
| Éléments antivibratoires | Contrôle ⁴⁾ | X | | | | | | X | | |
| | Remplacement ²⁾ | | | | | | | | X | |
| Outil de coupe | Contrôle visuel | X | | X | | | | | | |
| | Remplacement | | | | | | | | X | |
| | Contrôle du serrage | X | | X | | | | | | |
| Outil de coupe métallique | Affûtage | X | | | | | | | | X |
| Étiquettes de sécurité | Remplacement | | | | | | | | X | |

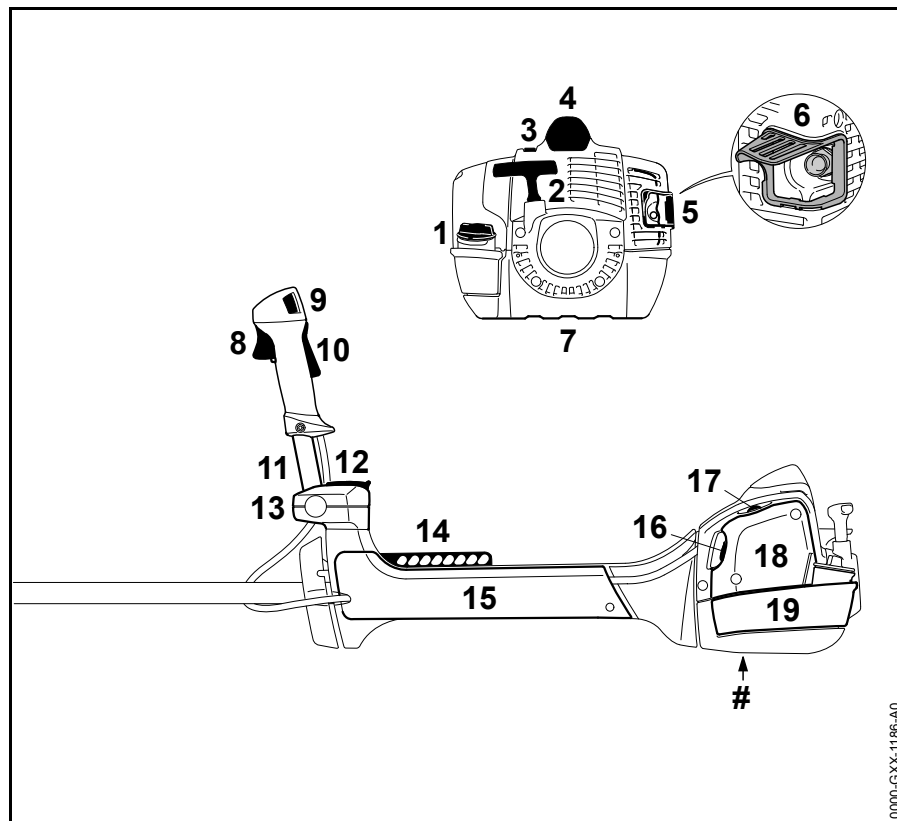
1) Seulement si la puissance du moteur baisse sensiblement

2) Par le revendeur spécialisé, STIHL recommande de s'adresser au revendeur spécialisé STIHL

3) Après la première mise en service de la machine, il faut resserrer les vis du silencieux d'échappement au bout de 10 à 20 heures de fonctionnement

4) Voir le chapitre « Contrôle et maintenance par le revendeur spécialisé », section « Éléments antivibratoires »

Principales pièces



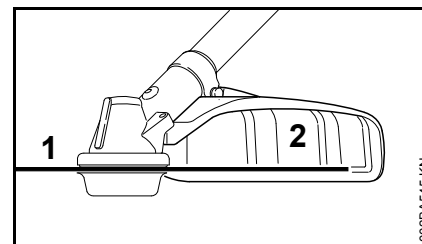
- 1 Bouchon du réservoir à carburant
- 2 Poignée de lancement
- 3 Tiroir
- 4 Contact de câble d'allumage sur la bougie
- 5 Silencieux avec grille pare-étincelles
- 6 Pièce d'écartement
- 7 Plaque de protection
- 8 Gâchette d'accélérateur
- 9 Bouton d'arrêt
- 10 Blocage de gâchette d'accélérateur
- 11 Guidon
- 12 Vis de serrage
- 13 Support de guidon
- 14 Réglette de suspension
- 15 Patin anti-usure
- 16 Levier du volet de starter
- 17 Pompe d'amorçage manuelle
- 18 Couvercle du filtre à air
- 19 Réservoir à carburant
- # Numéro de série

0000-GXX-1186-A0

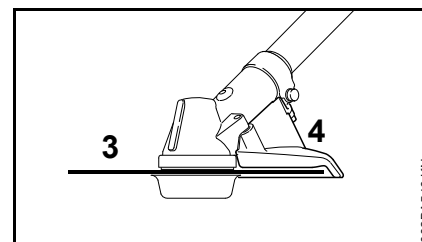
Définitions

- 1 Bouchon du réservoir à carburant**
Pour fermer le réservoir à carburant.
- 2 Poignée de lancement**
La poignée du dispositif de lancement qui sert à la mise en route du moteur.
- 3 Tiroir**
Avec positions été et hiver. En position hiver, il assure le chauffage du carburateur.
- 4 Contact de câble d'allumage sur la bougie**
Connecte la bougie avec le câble d'allumage.
- 5 Silencieux avec grille pare-étincelles**
Le silencieux atténue les bruits d'échappement et dirige les gaz d'échappement dans le sens opposé à l'utilisateur. La grille pare-étincelles sert à réduire le risque d'incendie.
- 6 Pièce d'écartement**
Conçue pour réduire les risques de brûlure et d'incendie.
- 7 Plaque de protection**
Protège le réservoir à carburant.
- 8 Gâchette d'accélérateur**
Contrôle le régime du moteur.
- 9 Bouton d'arrêt**
Le commutateur coupe le circuit du système d'allumage du moteur et arrête le moteur.

- 10 Blocage de gâchette d'accélérateur**
Il faut l'enfoncer pour pouvoir actionner la gâchette d'accélérateur.
- 11 Guidon**
Pour tenir et guider la machine à la main, durant le travail.
- 12 Vis de serrage**
Immobilise le guidon dans la position choisie.
- 13 Support de guidon**
Assemble le tube de protection et le guidon.
- 14 Réglette de suspension**
Pour attacher la débroussailleuse au harnais.
- 15 Patin anti-usure**
Protège le carter du système antivibratoire contre l'usure.
- 16 Levier du volet de starter**
Facilite le démarrage du moteur par un enrichissement du mélange carburé.
- 17 Pompe d'amorçage manuelle**
Assure une alimentation en carburant supplémentaire pour le démarrage à froid.
- 18 Couvercle du filtre à air**
Recouvre et protège le filtre à air.
- 19 Réservoir à carburant**
Pour le mélange d'essence et d'huile.



- 1** Outil de fauchage métallique
- 2** Capot protecteur pour outils de fauchage métalliques



- 3** Scie circulaire
- 4** Butée pour scie circulaire

Définitions

- 1 Outil de fauchage métallique**
L'outil de coupe, par ex. un couteau, pour différentes utilisations.
- 2 Capot protecteur pour outils de fauchage métalliques**
Réduit le risque d'être blessé par des corps étrangers projetés en arrière, vers l'utilisateur, par l'outil de coupe, ou par suite d'un contact avec l'outil de coupe.
- 3 Scie circulaire**
Outil de coupe métallique, pour couper du bois.

4 Butée pour scie circulaire

La butée permet d'appliquer la machine contre le bois, dans une position fiable, pour réduire le risque de blessure par suite d'une perte de contrôle sous l'effet de forces de réaction telles qu'un rebond.

Caractéristiques techniques

EPA / CEPA

L'étiquette d'homologation relative aux émissions de nuisances à l'échappement indique le nombre d'heures de fonctionnement durant lequel ce moteur satisfait aux exigences des normes antipollution fédérales.

Catégorie

A = 300 heures

B = 125 heures

C = 50 heures

Moteur

Moteur deux-temps, monocylindrique

FS 410 C

| | |
|---|----------------------|
| Cylindrée : | 41,6 cm ³ |
| Alésage du cylindre : | 42 mm |
| Course du piston : | 30 mm |
| Puissance suivant ISO 8893 : | 2,0 kW à 9000 tr/min |
| Régime de ralenti : | 2700 tr/min |
| Limitation de régime (valeur nominale) : | 12300 tr/min |
| Régime max. de l'arbre de sortie (outil de coupe) | 10130 tr/min |

FS 460 C

| | |
|---|----------------------|
| Cylindrée : | 45,6 cm ³ |
| Alésage du cylindre : | 44 mm |
| Course du piston : | 30 mm |
| Puissance suivant ISO 8893 : | 2,2 kW à 9500 tr/min |
| Régime de ralenti : | 2700 tr/min |
| Limitation de régime (valeur nominale) : | 12300 tr/min |
| Régime max. de l'arbre de sortie (outil de coupe) | 10130 tr/min |

Dispositif d'allumage

Volant magnétique à commande électronique

| | |
|-----------------------------|-----------|
| Bougie (antiparasitisme) : | NGK CMR6H |
| Écartement des électrodes : | 0,5 mm |

Ce système d'allumage respecte toutes les exigences du règlement sur le matériel blindé du Canada CAN ICES-2/NMB-2 (dispositions relatives à l'antiparasitage).

Système d'alimentation

Carburateur à membrane toutes positions avec pompe à carburant intégrée

Capacité du réservoir à carburant : 750 cm³ (0,75 l)

Poids

réservoir vide, sans outil de coupe ni capot protecteur

8,4 kg

Longueur hors tout

sans outil de coupe

1675 mm

Caractéristiques d'équipement

- C Caractéristiques de confort particulières
- E Easy2Start
- K Tube court
- M M-Tronic
- Z Grille pare-étincelles


Instructions pour les réparations

L'utilisateur de ce dispositif est autorisé à effectuer uniquement les opérations de maintenance et les réparations décrites dans la présente Notice d'emploi. Les réparations plus poussées ne doivent être effectuées que par le revendeur spécialisé.

STIHL recommande de faire effectuer les opérations de maintenance et les réparations exclusivement chez le revendeur spécialisé STIHL. Les revendeurs spécialisés STIHL participent régulièrement à des stages de perfectionnement et ont à leur disposition les informations techniques requises.

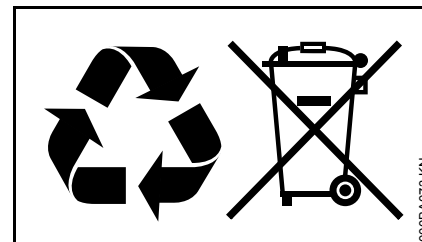
Pour les réparations, monter exclusivement des pièces de rechange autorisées par STIHL pour ce dispositif ou des pièces similaires du point de vue technique. Utiliser exclusivement des pièces de rechange de haute qualité. Sinon, des accidents pourraient survenir et le dispositif risquerait d'être endommagé.

STIHL recommande d'utiliser des pièces de rechange d'origine STIHL.

Les pièces de rechange d'origine STIHL sont reconnaissables à leur référence de pièce de rechange STIHL, au nom **STIHL**® et, le cas échéant, au symbole d'identification des pièces de rechange STIHL . (Les petites pièces ne portent parfois que ce symbole).

Mise au rebut

Pour l'élimination des déchets, respecter les prescriptions nationales spécifiques.



Les produits STIHL ne doivent pas être jetés à la poubelle. Le produit STIHL, la batterie, les accessoires et leur emballage doivent être mis au recyclage.

Consulter le revendeur spécialisé STIHL pour obtenir les informations d'actualité concernant l'élimination écoresponsable des déchets.

Garantie de la Société STIHL Limited relative au système antipollution

Cette déclaration est fournie volontairement et elle se base sur l'accord conclu en avril 1999 entre l'Office de l'Environnement du Canada et STIHL Limited.

Vos droits et obligations dans le cadre de la garantie

STIHL Limited expose ici la garantie relative au système antipollution du moteur de votre type de moteur. Au Canada, sur le plan construction et équipement, les moteurs neufs de petits dispositifs à moteur non-routiers, du millésime 1999 ou d'un millésime ultérieur, doivent, au moment de la vente, être conformes aux dispositions U.S. EPA pour petits moteurs qui ne sont pas destinés à des véhicules routiers. Le moteur du dispositif doit être exempt de vices de matériaux et de fabrication qui entraîneraient une non-conformité avec les dispositions U.S. EPA au cours des deux premières années de service du moteur, à dater de la vente au consommateur final.

Pour la période ci-dessus, STIHL Limited doit assumer la garantie sur le système antipollution du moteur de votre petit dispositif non-routier, à condition que votre moteur n'ait pas été utilisé de façon inadéquate et que sa maintenance n'ait pas été négligée ou incorrectement effectuée.

Votre système antipollution peut comprendre aussi des pièces telles que le carburateur ou le système d'injection de carburant, l'allumage et le catalyseur. Il peut aussi englober des flexibles,

courroies, raccords et autres composants influant sur les émissions de nuisances.

Dans un cas de garantie, STIHL Limited devra réparer le moteur de votre dispositif non-routier et ce, gratuitement pour vous. La garantie englobe le diagnostic (s'il est exécuté par un revendeur autorisé) ainsi que les pièces et la main-d'œuvre.

Durée de la garantie du fabricant

Au Canada, les moteurs de petits dispositifs à moteur non-routiers, du millésime 1999 ou d'un millésime ultérieur, bénéficient d'une garantie de deux ans. Si une pièce du système antipollution du moteur de votre dispositif s'avère défectueuse, elle est réparée ou remplacée gratuitement par STIHL Limited.

Obligations du propriétaire :

En tant que propriétaire du moteur du petit dispositif à moteur non-routier, vous êtes responsable de l'exécution de la maintenance indispensable prescrite dans la notice d'emploi de votre dispositif. STIHL Limited recommande de conserver toutes les quittances des opérations de maintenance exécutées sur le moteur de votre dispositif non-routier. STIHL Limited ne peut toutefois pas vous refuser une garantie sur votre moteur pour la seule raison que des quittances manqueraient ou que vous auriez négligé d'assurer l'exécution de toutes les opérations de maintenance prévues.

Pour la maintenance ou les réparations qui ne sont pas effectuées sous garantie, il est permis d'employer des pièces de rechange ou des méthodes de

travail assurant une exécution et une longévité équivalant à celles de l'équipement de première monte et ce, sans que cela réduise, pour le fabricant du moteur, l'obligation de fournir une garantie.

En tant que propriétaire du petit dispositif à moteur non-routier, vous devez toutefois savoir que STIHL Limited peut vous refuser la garantie si le moteur ou une partie du moteur de votre dispositif tombe en panne par suite d'une utilisation inadéquate, d'un manque de précaution, d'une maintenance incorrecte ou de modifications non autorisées.

Vous êtes tenu d'amener le moteur de votre petit dispositif à moteur non-routier à un centre de Service Après-Vente STIHL dès qu'un problème survient. Les travaux sous garantie seront exécutés dans un délai raisonnable qui ne devra pas dépasser 30 jours.

Si vous avez des questions concernant vos droits et obligations dans le cadre de la garantie, veuillez consulter un conseiller du Service Après-Vente STIHL (www.stihl.ca)

ou écrire à :

STIHL Ltd.,
1515 Sise Road
Box 5666
CA-LONDON ONTARIO ; N6A 4L6

Étendue de la garantie fournie par STIHL Limited

STIHL Limited garantit à l'acheteur final, et à tout acquéreur ultérieur, que le moteur de votre petit dispositif non-routier satisfait à toutes les prescriptions en vigueur au moment de la vente, sur le plan construction, fabrication et

équipement. STIHL Limited garantit en outre au premier acquéreur et à tous les acquéreurs ultérieurs, pour une période de deux ans, que votre moteur est exempt de tout vice de matériaux et de tout vice de fabrication entraînant une non-conformité avec les prescriptions en vigueur.

Période de garantie

La période de garantie commence le jour où le premier acheteur fait l'acquisition du moteur du dispositif et où vous avez retourné à STIHL Ltd. la carte de garantie portant votre signature. Si une pièce faisant partie du système antipollution de votre dispositif est défectueuse, la pièce est remplacée gratuitement par STIHL Limited. Durant la période de garantie, une garantie est fournie pour toute pièce sous garantie qui ne doit pas être remplacée à l'occasion d'une opération de maintenance prescrite ou pour laquelle « la réparation ou le remplacement, si nécessaire » n'est prévu qu'à l'occasion de l'inspection périodique. Pour toute pièce sous garantie qui doit être remplacée dans le cadre d'une opération de maintenance prescrite, la garantie est fournie pour la période qui précède le premier remplacement prévu.

Diagnostic

Les coûts occasionnés pour le diagnostic ne sont pas facturés au propriétaire, si ce diagnostic confirme qu'une pièce sous garantie est défectueuse. Si, par contre, vous revendiquez un droit à la garantie pour une pièce et qu'une défectuosité n'est pas constatée au diagnostic, STIHL Limited vous facturera les coûts du test

des émissions de nuisances. Le diagnostic de la partie mécanique doit être exécuté par un revendeur spécialisé STIHL. Le test des émissions de nuisances peut être exécuté soit par

STIHL Incorporated,
536 Viking Drive, P.O. Box 2015,
Virginia Beach, VA 23452,

soit par un laboratoire indépendant.

Travaux sous garantie

STIHL Limited doit faire éliminer les défauts sous garantie par un revendeur spécialisé STIHL ou par une station de garantie. Tous les travaux seront effectués sans facturation au propriétaire, si l'on constate qu'une pièce sous garantie est effectivement défectueuse. Toute pièce autorisée par le fabricant ou pièce de rechange équivalente peut être utilisée pour toute opération de maintenance ou réparation sous garantie touchant une pièce du système antipollution et elle doit être mise gratuitement à la disposition du propriétaire, si la pièce en question est encore sous garantie. STIHL Limited assume la responsabilité de dommages causés à d'autres composants du moteur par la pièce encore couverte par la garantie.

La liste suivante précise les pièces couvertes par la garantie antipollution :

- Filtre à air
- Carburateur (le cas échéant)
- Pompe d'amorçage manuelle
- Starter (système d'enrichissement de démarrage à froid) (le cas échéant)
- Tringleries de commande

- Coude d'admission
- Volant magnétique ou allumage électronique (module d'allumage ou boîtier électronique)
- Rotor
- Bougie
- Injecteur (le cas échéant)
- Pompe d'injection (le cas échéant)
- Boîtier de papillon (le cas échéant)
- Cylindre
- Silencieux
- Catalyseur (le cas échéant)
- Réservoir à carburant
- Bouchon du réservoir à carburant
- Conduit de carburant
- Raccords du conduit de carburant
- Colliers
- Pièces de fixation

Pour faire valoir un droit à la garantie

Présenter le dispositif à un revendeur spécialisé STIHL, avec la carte de garantie signée.

Prescriptions de maintenance

Les prescriptions de maintenance qui figurent dans la présente Notice d'emploi présumant que l'on utilise le mélange d'essence et d'huile prescrit pour moteur deux-temps (voir aussi chapitre « Carburant »). En cas d'utilisation de carburants et d'huiles d'autre qualité ou d'un taux de mélange différent, il peut être nécessaire de raccourcir les intervalles de maintenance.

Restrictions

Cette garantie sur le système antipollution ne couvre pas :

1. les réparations et remplacements nécessaires par suite d'une utilisation inadéquate ou bien d'une négligence ou de l'omission des opérations de maintenance indispensables ;
2. les réparations exécutées incorrectement ou les remplacements effectués avec des pièces non conformes aux spécifications de STIHL Limited et ayant un effet défavorable sur le rendement et/ou la longévité, et les transformations ou modifications que STIHL Limited n'a ni recommandées, ni autorisées par écrit ;
3. le remplacement de pièces et d'autres prestations de services et réglages qui s'avèrent nécessaires dans le cadre des travaux de maintenance indispensables, à l'échéance du premier remplacement prévu, et par la suite.

0458-748-8221-F

CDN



www.stihl.com



0458-748-8221-F