



# Husqvarna®



## 535LK

EN	Operator's manual
ES-MX	Manual de usuario
FR-CA	Manuel d'utilisation

2-24
25-49
50-74

---

## Contents

---

Introduction.....	2	Troubleshooting.....	19
Safety.....	4	Transportation and storage.....	20
Assembly.....	9	Technical data.....	20
Operation.....	12	Accessories.....	21
Maintenance.....	15	Warranty.....	23

---

## Introduction

---

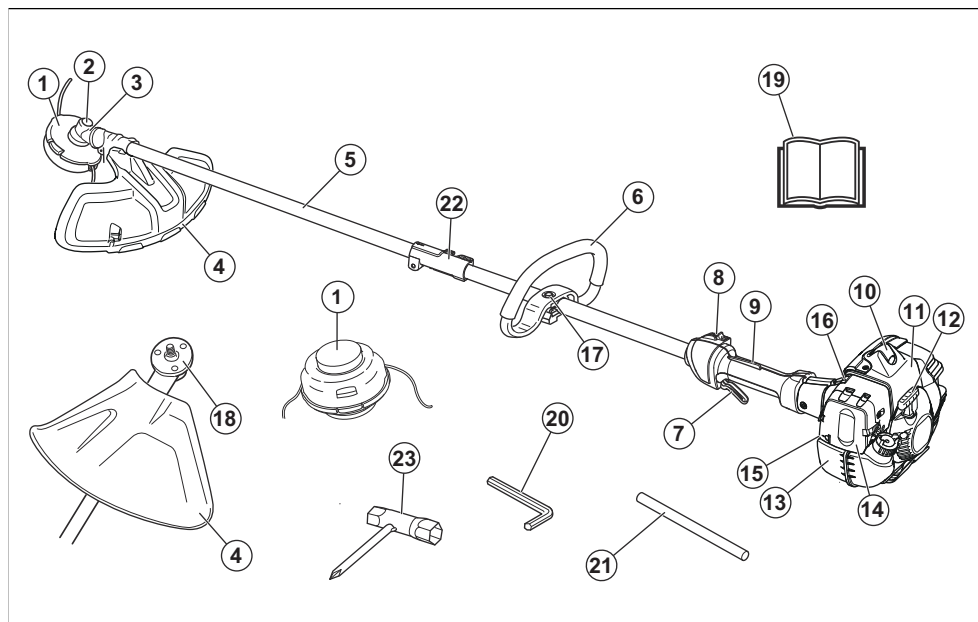
### Intended use

The product is used with a trimmer head to cut grass. Do not use the product for other tasks than grass trimming and grass clearing.

**Note:** National regulations can set limit to the operation of the product.

---

### Product overview



- |                                   |                         |
|-----------------------------------|-------------------------|
| 1. Trimmer head                   | 12. Starter rope handle |
| 2. Grease filler cap              | 13. Fuel tank           |
| 3. Bevel gear                     | 14. Air filter cover    |
| 4. Cutting attachment guard       | 15. Air purge bulb      |
| 5. Shaft                          | 16. Choke control       |
| 6. Loop Handle                    | 17. Handle adjustment   |
| 7. Throttle trigger               | 18. Drive disc          |
| 8. Stop switch                    | 19. Operator's manual   |
| 9. Throttle trigger lockout       | 20. Hex key             |
| 10. Spark plug cap and spark plug | 21. Locking pin         |
| 11. Cylinder cover                | 22. Shaft coupling      |

23. Combination wrench

**Symbols on the product**



Be careful and use the product correctly. This product can cause serious injury or death to the operator or others.



Read the operator's manual carefully and make sure that you understand the instructions before you use this product.



Use a protective helmet in locations where objects can fall on you. Use approved hearing protection. Use approved eye protection.



Use approved protective gloves.



Use heavy-duty slip-resistant boots.



The product can cause objects to eject, which can cause injury.



Maximum speed of the output shaft.



Keep a minimum of 15 m distance to persons and animals during operation of the product.



Only use flexible cutting wire. Do not use metal cutting equipment for grass trimming.



The arrows show the limit for the handle position.



Air purge bulb.



Choke.



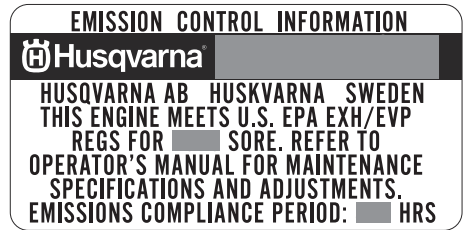
Fuel.

yyyywwxxxx

The rating plate shows the serial number. **yyyy** is the production year, **ww** is the production week.

**Note:** Other symbols/decals on the product refer to certification requirements for some markets.

**EPA III**



The Emissions Compliance Period referred to on the Emission Compliance label indicates the number of operating hours for which the engine has been shown to meet Federal emissions requirement. Maintenance, replacement or repair of the emission control devices and system may be performed by any nonroad engine repair establishment or individual.

**EMISSION CONTROL LABEL ABBREVIATIONS**


**General**

CAL	California	EVAP	Evaporative	REGS	Regulations
DISPL	Displacement	EXH/EVP	Exhaust and Evaporative	SORE	Small off road engines

## EMISSION CONTROL LABEL ABBREVIATIONS

General					
ECS	Emission control system	HRS	Hours	US EPA	United States Environmental Protection Agency
Exhaust emission control systems					
ECM	Engine control module (Autotune)		OC	Oxidizing Catalyst	
EM	Engine modification	TWC	Three way catalyst		
Evaporative emission control systems					
C	Coextruded (Multilayer)	P	Treated HDPE or PE		
N	Nylon	S	Sealed		

### California Proposition 65


WARNING!

The engine exhaust from this product contains chemicals known to the State of California to cause cancer, birth defects or other reproductive harm.

---

## Safety

---

### Safety definitions

Warnings, cautions and notes are used to point out specially important parts of the manual.



**WARNING:** Used if there is a risk of injury or death for the operator or bystanders if the instructions in the manual are not obeyed.



**CAUTION:** Used if there is a risk of damage to the product, other materials or the adjacent area if the instructions in the manual are not obeyed.

**Note:** Used to give more information that is necessary in a given situation.

### General safety instructions



**WARNING:** Read the warning instructions that follow before you use the product.

- A clearing saw, brushcutter or trimmer can be dangerous if used carelessly or incorrectly and can cause serious injury or death to the operator or others. It is extremely important that you read and understand the contents of this operator's manual.
- Under no circumstances may the design of the product be modified without the permission of the manufacturer. Never use a product that has been modified in any way from its original specification and always use original accessories. Non-authorized modifications and/or accessories can result in serious personal injury or the death of the operator or others.
- The inside of the muffler contain chemicals that may be carcinogenic. Avoid contact with these elements in the event of a damaged muffler.

- This product produces an electromagnetic field during operation. This field may under some circumstances interfere with active or passive medical implants. To reduce the risk of serious or fatal injury, we recommend persons with medical implants to consult their physician and the medical implant manufacturer before operating this product.

## Safety instructions for operation



**WARNING:** Read the warning instructions that follow before you use the product.

- You must understand the difference between grass clearing and grass trimming before use.
- If you encounter a situation where you are uncertain how to proceed you should ask an expert. Contact your dealer or your service workshop. Avoid all usage which you consider to be beyond your capability.
- Never use a product that is faulty. Carry out the safety checks, maintenance and service instructions described in this manual. Some maintenance and service measures must be carried out by trained and qualified specialists. Refer to *Maintenance on page 15*.
- All covers, guards and handles must be fitted before you start the product. Ensure that the spark plug cap and ignition lead are undamaged to avoid the risk of electric shock.
- Never use the product if you are fatigued, while under the influence of alcohol or drugs, medication or anything that could affect your vision, alertness, coordination or judgement.
- Do not use the product in bad weather such as dense fog, heavy rain, strong wind, intense cold, etcetera. Working in bad weather is tiring and often brings added risks, such as icy ground, unpredictable felling direction, etcetera.
- The only accessories you can operate with this engine unit are the cutting attachments that we recommend. Refer to *Accessories on page 21*.
- Never allow children to use or be in the vicinity of the product. As the product is equipped with a spring-loaded start/stop switch and can be started by low speed and force on the starter handle, even small children under some circumstances can produce the force necessary to start the product. This can mean a risk of serious personal injury. Therefore remove the spark plug cap when the product is not under close supervision.
- Running an engine in a confined or badly ventilated area can result in death due to asphyxiation or carbon monoxide poisoning.
- The complete clutch cover and shaft must be fitted before the product is started, otherwise the clutch can come loose and cause personal injury.
- Ensure that no people or animals come closer than 15 m while you work. When several operators

are working in the same area the safety distance should be at least 15 m. Otherwise there is a risk of serious personal injury. Stop the product immediately if anyone approaches. Never swing the product around without first checking behind you to make sure that no one is within the safety zone.

- Ensure that people, animals or other things can not affect your control of the product or that they do not come in contact with the cutting attachment or loose objects that are thrown out by the cutting attachment. However, do not use the product unless you are able to call for help in the event of an accident.
- Always inspect the working area. Remove all loose objects such as stones, broken glass, nails, steel wire, string, etcetera, that could be thrown out or become wrapped around the cutting attachment.
- Make sure that you can move and stand safely. Check the area around you for possible obstacles (roots, rocks, branches, ditches, etcetera) in case you have to move suddenly. Take great care when you work on sloping ground.



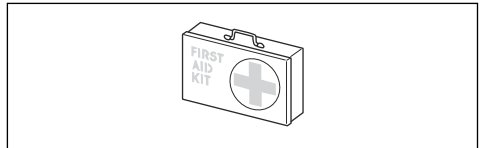
- Keep a good balance and a firm foothold at all times. Do not overreach.
- Always hold the product with both hands. Hold the product on the right side of your body.
- Keep the cutting attachment below waist level.
- Switch off the engine before you move to another area. Fit the transportation guard before you carry or transport the equipment any distance.
- Never put the product down with the engine running unless you have it in clear sight.
- Stop the engine and cutting equipment before you remove material that has wound around the blade shaft. Neither the operator of the product nor anyone else may attempt to remove the cut material while the engine is running or the cutting equipment is rotating, as this can result in serious injury. The bevel gear can get hot during use and may remain so for a while afterwards. You could get burnt if you touch it.
- Watch out for thrown objects. Always wear approved eye protection. Never lean over the cutting attachment guard. Stones, rubbish, etcetera, can be thrown up into the eyes which can cause blindness or serious injury.

- Sometimes branches or grass get caught between the guard and cutting attachment. Always stop the engine before you clean the product.
- Always slow the engine to idle speed after each working operation. Long periods at full throttle without any load on the engine can lead to serious engine damage.
- Listen out for warning signals or shouts when you wear hearing protection. Always remove your hearing protection as soon as the engine stops.
- Overexposure to vibration can lead to circulatory damage or nerve damage in people who have impaired circulation. Contact your doctor if you experience symptoms of overexposure to vibration. These symptoms include numbness, loss of feeling, tingling, pricking, pain, loss of strength, changes in skin color or condition. These symptoms normally appear in the fingers, hands or wrists.
- Do not use a product with a damaged spark plug cap.
- Do not use a product with a defective muffler.
- Keep all parts of your body away from the rotating cutting attachment and hot surfaces.
- Never use a product with a faulty muffler
- Never start or use the product indoors, near combustible material or in spaces that lacks proper ventilation. The exhaust fumes from the engine contain carbon monoxide, an odorless, poisonous and highly dangerous gas. Also, the exhaust fumes are hot and may contain sparks that can start a fire.

- Use protective boots with steel toe-cap and non-slip soles.
- Use clothing made of a strong fabric. Always use heavy, long pants and long sleeves. Do not use loose clothing that can catch on twigs and branches. Do not use jewelry, short pants or sandals. Do not go with bare feet. Put your hair up safely above shoulder level.



- Keep first aid equipment near.



### Safety devices on the product



**WARNING:** Read the warning instructions that follow before you use the product.

In this section the product's safety features, its purpose and how checks and maintenance should be carried out to ensure that it operates correctly. See instructions under the heading *Product overview* on page 2 to find where these parts are located on your product.

The life span of the product can be reduced and the risk of accidents can increase if product maintenance is not carried out correctly and if service and/or repairs are not carried out professionally. If you need further information please contact your nearest servicing dealer.



**WARNING:** Never use a product with defective safety components. The product's safety equipment must be inspected and maintained as described in this section. If your product fails any of these checks, contact your service agent to get it repaired.



**CAUTION:** All servicing and repair work on the machine requires special training. This is especially true of the machine's safety equipment. If your machine fails any of the checks described below you must contact your service agent. When you buy any of our products we guarantee the availability of professional repairs and service. If the retailer who sells your machine is not a servicing dealer, ask him for the address of your nearest service agent.

### Personal protective equipment



**WARNING:** Read the warning instructions that follow before you use the product.

- Always use approved personal protective equipment when you use the product. Personal protective equipment cannot fully prevent injury but it decreases the degree of injury if an accident does occur. Let your dealer help you select the correct equipment.
- Use a helmet if the trees in the work area have a height of more than 2 m/6.5 ft.
- Use approved hearing protection.
- Always use approved protective goggles that comply with ANSI Z87.1 standard in the USA or EN 166 in EU countries. Use visor for face protection. Visor is not enough to protect the eyes.

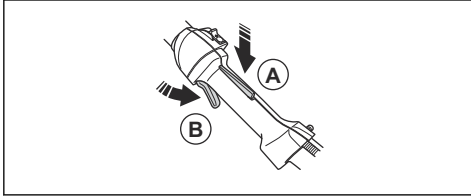


- Use gloves when it is necessary, for example when you attach, examine or clean the cutting equipment.

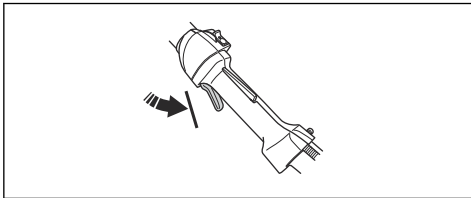
### To do a check of the throttle trigger lockout

The throttle lockout is designed to prevent accidental operation of the throttle control.

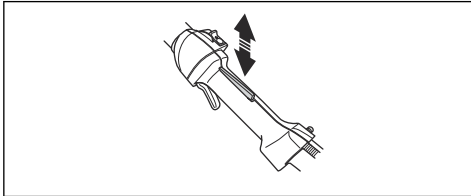
1. Press the throttle trigger lockout (A) and make sure that the throttle control is released (B). When you release the handle the throttle control and the throttle trigger lockout both move back to their initial positions. This movement is controlled by two independent return springs. This arrangement means that the throttle control is automatically locked at the idle setting.



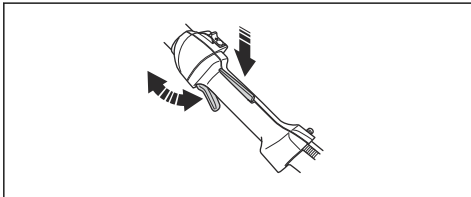
2. Make sure that the throttle control is locked at the idle setting when the throttle trigger lockout is released.



3. Press the throttle trigger lockout and make sure that it returns to its initial position when you release it.

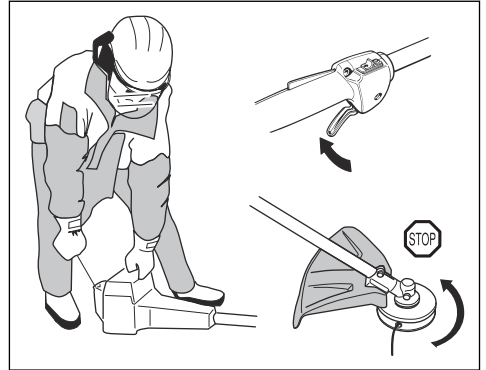


4. Do a check of the throttle control and throttle trigger lockout move freely and that the return springs work properly.



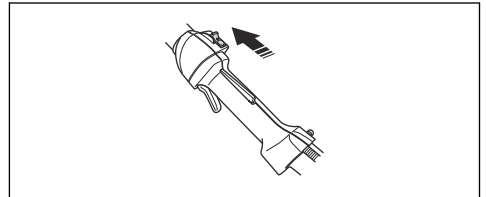
5. Start the product (refer to the instructions under *To prepare the product for start on page 13*) and apply full throttle.

6. Release the throttle and make sure that the cutting attachment stops and remains at a standstill. If the cutting attachment rotates with the throttle in the idle position the carburettor idle setting must be checked. See instructions under the chapter *Maintenance on page 15*.



### To do a check of the stop switch

1. Start the engine.
2. Move the stop switch to the stop position and make sure that the engine stops.



### To do a check of the cutting attachment guard



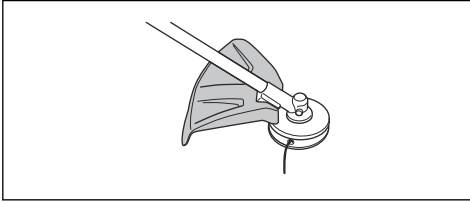
**WARNING:** Do not use a cutting attachment without an approved and correctly attached cutting attachment guard. Refer to, *Accessories on page 21*.



**WARNING:** Always use the recommended cutting attachment guard for the cutting attachment that you use. If an incorrect or faulty cutting attachment guard is fitted this can cause serious personal injury. Refer to, *Technical data on page 20*.

The cutting attachment guard prevents injuries from objects that eject in the direction of the operator. It

also prevents injuries that occur if you touch the cutting attachment.

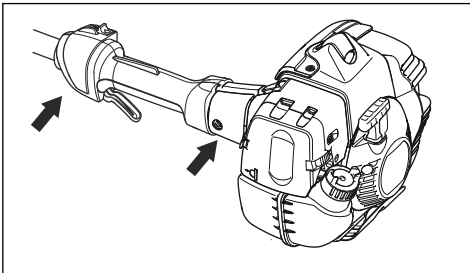


1. Do a visual check for damages, for example cracks.
2. Replace the cutting attachment guard if it is damaged.

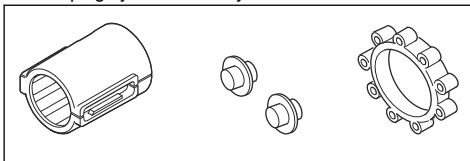
#### To do a check of the vibration damping system

**Note:** Use of incorrectly wound cord or an incorrect cutting attachment increases the level of vibration. See instructions under *Accessories on page 21*.

The vibration damping system decreases vibration in the handles to a minimum which makes the operation easier. The vibration damping system of the product decreases the transfer of vibration between the engine unit and the shaft unit of the product.



1. Stop the engine.
2. Do a visual check for deformation and damage for example, cracks.
3. Make sure you attach the elements of the vibration damping system correctly.



#### To do a check of the muffler



**WARNING:** Bear in mind that the exhaust fumes from the engine are hot and may contain sparks which can start a fire.

Never start the product indoors or near combustible material!



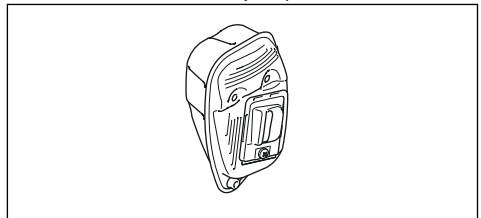
**WARNING:** Never use the machine indoors or in spaces lacking proper ventilation. Exhaust fumes contain carbon monoxide, an odourless, poisonous and highly dangerous gas.



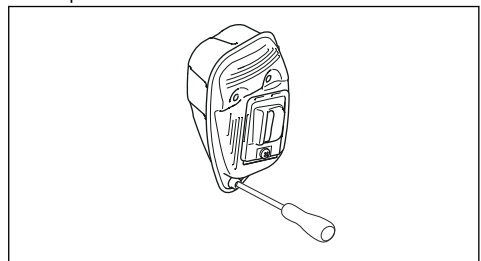
**WARNING:** Never use a product with a faulty muffler.



The muffler keeps noise levels to a minimum and sends exhaust fumes away from the operator. For mufflers it is very important that you follow the instructions on how to check, maintain and service your product.



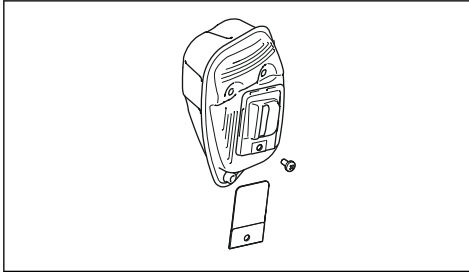
- Do a visual check for damage and deformation.
- Make sure that the muffler is correctly attached to the product.



- If the muffler on your product has a spark arrester screen, do a visual check. Replace the spark arrester screen if it is damaged.



- a) Clean the spark arrester screen if it is blocked. A blocked mesh will make the engine overheated which can cause serious damage.
- b) Make sure that the spark arrester mesh is attached correct.



- are highly inflammable and can cause serious injury when inhaled or allowed to come in contact with the skin.
- Mix and pour fuel outdoors, where there are no sparks or flames.
- Do not smoke or place hot objects near fuel.
- Always stop the engine and let it cool off for a few minutes before you refuel.
- Open the fuel cap slowly so that any excess pressure is released gently when you refuel.
- Tighten the fuel cap carefully after you refueled.
- Clean the area around the fuel cap. Contamination in the tank can cause operating problems.
- Always move the product 3m (10ft) or further from the refuelling area and source before starting.

## Fuel Safety



**WARNING:** Read the warning instructions that follow before you use the product.

- Never start the product if you spill fuel on it. Wipe the spillage of and allow remaining fuel to evaporate.
- Never start the product if you spill fuel on yourself or your clothes. Change your clothes and wash any part of your body that has come in contact with fuel. Use soap and water.
- Never start the product if the product is leaking fuel. Check regularly for leaks from the fuel cap and fuel lines.
- Always put the product on a flat surface and make sure the cutting attachment cannot come in contact with any object while you add fuel.
- Take care when handling fuel. Bear in mind the risk off fire, explosion and inhaling fumes.
- Observe caution when handling fuel and make sure there is adequate ventilation. Fuel and fuel fumes



**WARNING:** Always stop the engine before you do any work on the cutting attachment. The cutting attachment continues to rotate even after the throttle has been released. Ensure that the cutting attachment has stopped completely and disconnect the spark plug before you start to work on it.



**WARNING:** A faulty cutting attachment may increase the risk of accidents.



**WARNING:** Make sure that the trimmer cord is wound tightly and evenly around the drum, otherwise the product will generate harmful vibration.

- Only use cutting attachments with the guards we recommend. Refer to *Accessories on page 21*.

## Assembly

### Introduction



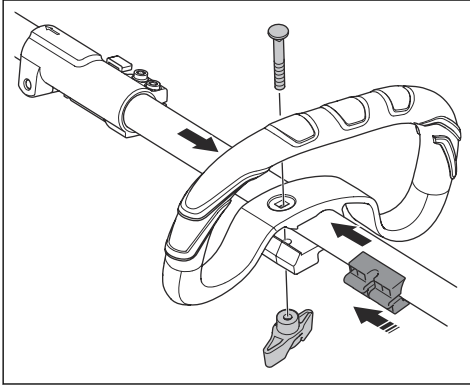
**WARNING:** Before you assemble the product, you must read and understand the safety chapter.



**WARNING:** Remove the spark plug cable from the spark plug before you assemble the product.

## To attach the loop handle

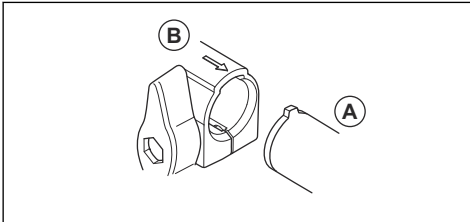
1. Attach the loop handle onto the shaft between the arrows.



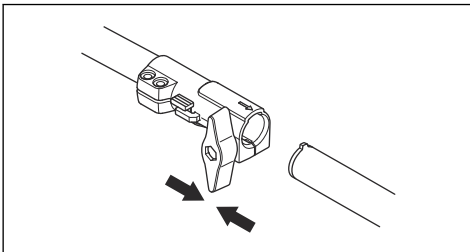
2. Move the spacer into the slot of the loop handle.
3. Install the nut, the knob and the bolt. Do not tighten the bolt fully.
4. Adjust the product to a correct position.
5. Tighten the bolt.

## To assemble the two-piece shaft

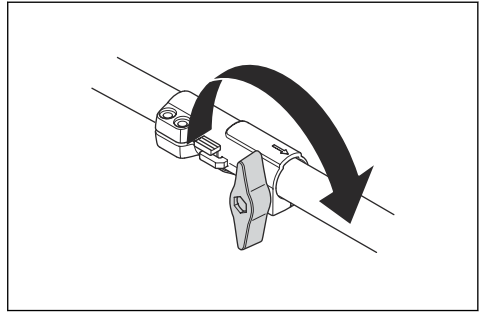
1. Turn the knob to loosen the coupling.
2. Align the tab of the cutting attachment (A) with the arrow of the coupling (B).



3. Carefully push the shaft into the coupling until you hear a click.

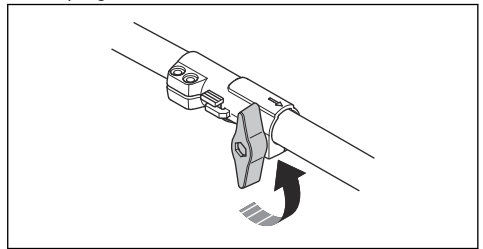


4. Tighten the knob fully.

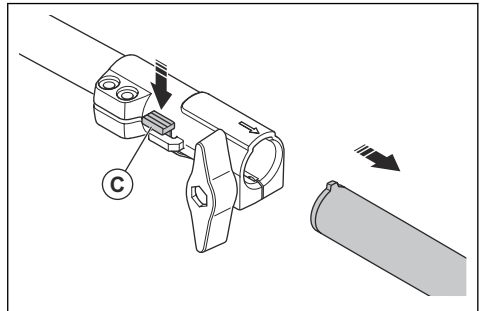


## To disassemble the two-piece shaft

1. Turn the knob 3 turns or more to loosen the coupling.



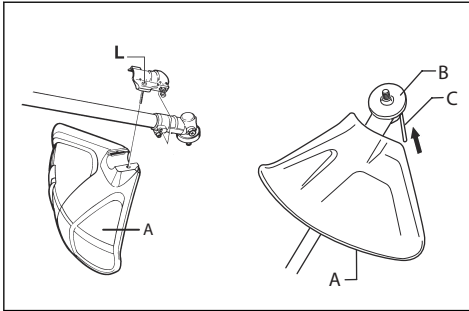
2. Push and hold the button (C).
3. Hold tight to the end of the shaft that the engine is attached to.
4. Pull the attachment straight out of the coupling.



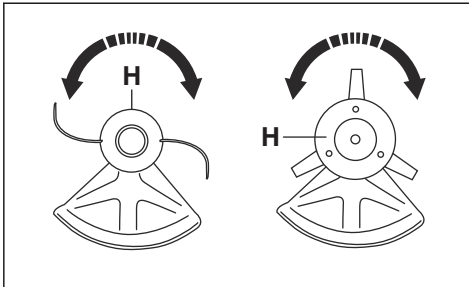
## To assemble the cutting attachment guard and trimmer head

1. Attach the correct cutting attachment guard (A) for the trimmer head. Refer to *Accessories* on page 21.
2. Put the cutting attachment guard onto the fitting on the shaft.

3. Attach with the bolt (L).

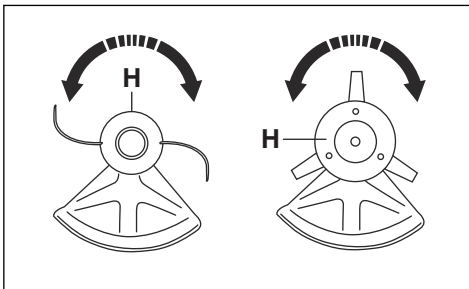


4. Install the drive disc (B) on the output shaft.
5. Turn the output shaft until one of the holes in the drive disc aligns with the related hole in the gear housing.
6. Put the locking pin (C) in the hole to lock the shaft.
7. Turn the trimmer head /plastic blades (H) in the opposite direction from which the trimmer head/ plastic blades rotates.

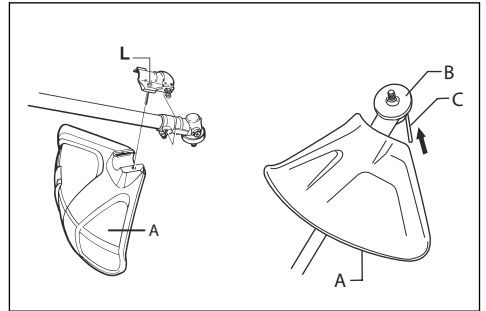


### To disassemble the cutting attachment guard and trimmer head

1. Turn the trimmer head /plastic blades (H) in the direction from which the trimmer head/plastic blades rotates.



2. Pull the locking pin (C) out from the hole to unlock the shaft.
3. Remove the drive disc (B) on the output shaft.
4. Loosen the bolt(L) from the cutting attachment guard-fitting on the shaft.



5. Remove the cutting attachment guard (A).

# Operation

## Fuel

This product has a two-stroke engine.



**CAUTION:** Incorrect type of fuel can result in engine damage. Use a mixture of gasoline and two-stroke oil.

## Gasoline

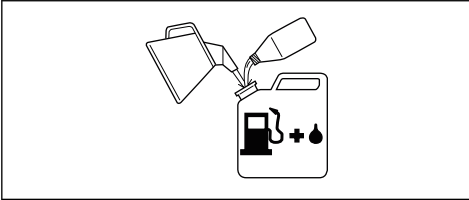


**CAUTION:** Always use a quality gasoline/oil mixture of at least 90 octane (RON). There is a risk that use of lower octane grade causes knocking. This gives rise to high engine temperature, which can result in serious engine damage.



**CAUTION:** If your product is equipped with a catalytic converter use a good quality unleaded gasoline/oil mixture. Leaded gasoline will destroy the catalytic converter.

- Use low-emission gasoline, also known as alkylate gasoline, if it is available.



- Ethanol blended fuel, E10 may be used (max 10% ethanol blend). Using ethanol blends higher than E10 will cause lean running condition which can damage the engine.
- We recommend a higher octane rating when you do work at continuous high speed.

## Husqvarna alkylate fuel

We recommend you to use Husqvarna alkylate fuel for best performance. The fuel contains less dangerous material compared to regular fuel, which decreases dangerous exhaust fumes. The fuel gives a low quantity of dangerous remainings when it is combusted, which keeps the components of the engine more clean. This extends the life of the engine. Husqvarna alkylate fuel is not available in all markets.

## Two-stroke oil



**CAUTION:** Unsatisfactory oil quality and/or incorrect oil/fuel ratio can damage the product and decrease the life time of catalytic converters.



**CAUTION:** Do not use two-stroke oil for water-cooled outboard engines, also referred to as outboard oil.



**CAUTION:** Do not use oil for four-stroke engines.

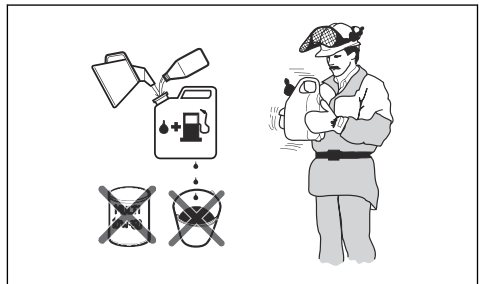
- For best results and performance use Husqvarna two-stroke oil.
- If Husqvarna two-stroke oil is not available, use a different two-stroke oil of good quality for air-cooled engines. Speak to your servicing dealer to select the correct oil.

Gasoline, l	Two-stroke oil, l
	<b>2% (50:1)</b>
5	0.10
10	0.20
15	0.30
20	0.40

## To mix gasoline and two-stroke oil



**CAUTION:** There is a risk that small errors influence the ratio of the mixture drastically when you mix small quantities of fuel. Carefully measure the quantity of oil to be mixed to make sure that you get the correct mixture.

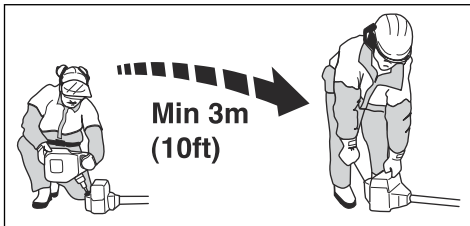


1. Fill half the quantity of the gasoline to be used.
2. Add the full quantity of oil and mix (shake) the fuel mixture.
3. Add the remaining quantity of gasoline.
4. Carefully mix (shake) the fuel mixture and fill the fuel tank of the product.
5. Empty and clean the fuel tank if you do not use the product for some time.

**Note:** Do not mix fuel for more than 1 month at a time and always mix gasoline and oil in a clean container intended for fuel.

## To fill the fuel tank

1. Clean the area around the fuel tank cap.
2. Shake the container and make sure that the fuel is fully mixed. Use a fuel container with an anti-spill valve.
3. Fill the fuel tank.
4. Tighten the fuel tank cap carefully.
5. Move the product 3 m (10 ft) or more away from the refueling area and fuel source before starting.

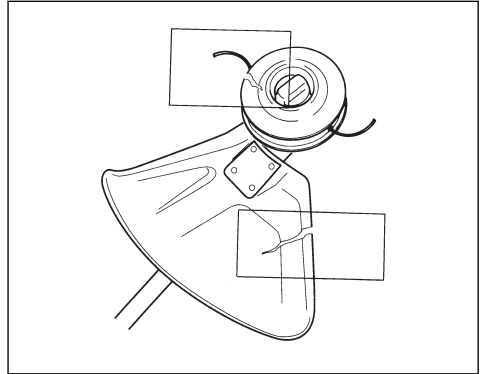


**CAUTION:** Contamination in the tanks causes malfunction. Clean the fuel tank and chain oil tank regularly and replace the fuel filter one time a year or more.

## Before you operate the product

- Examine the work area to make sure that you know the type of terrain. Examine the slope of the ground and if there are obstacles such as stones, branches and ditches.
- Do an overall inspection of the product.
- Do the safety inspections, maintenance and servicing that are given in this manual.
- Make sure that all covers, trimmer guard and trimmer head correctly attached and not damaged

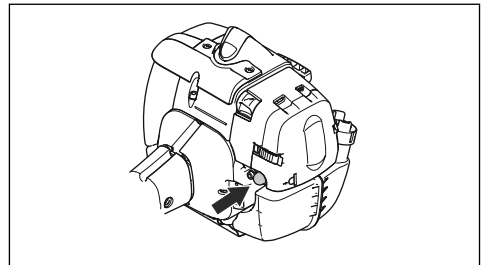
or cracked. Replace if they are exposed to impact or cracked.



**WARNING:** Do not use the product without a guard or a guard that is defective.

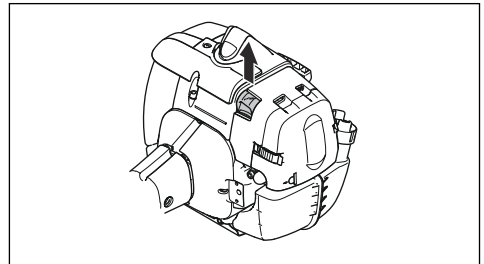
## To prepare the product for start

1. Press the air purge again and again until the fuel starts to fill the bulb.



**Note:** It is not necessary to fully fill the bulb.

2. Move the choke control up into choke position.



**WARNING:** The cutting attachment will start to rotate immediately when you start the engine with the choke.

## To start the product



**WARNING:** Read the warning instructions in the safety chapter before you start the product (refer to *Safety on page 4*).

1. Use protective gloves.
2. Hold the body of the product on the ground with your left hand.



**CAUTION:** Do not use your feet!

3. Hold the starter rope handle with your right hand.
4. Slowly pull out the starter rope with your right hand until you feel some resistance (the starter pawls grip).



**WARNING:** Do not twist the starter rope around your hand.

5. Pull the cord quickly and with power.



**CAUTION:** Do not pull the starter rope all the way out and do not let go off the starter rope handle when the starter rope is fully extended. This can cause damage to the product.

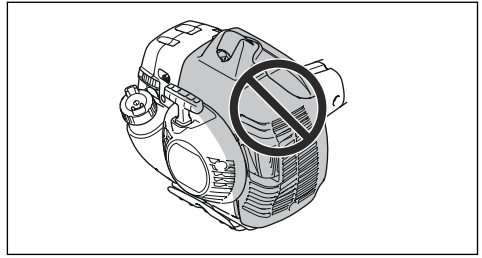
6. Pull the starter rope until the engine starts or for a maximum of 5 times.
7. Reset the choke when the engine starts or after you pull the starter rope 5 times.
8. If it is necessary, pull the starter rope again and again until the engine starts.
9. Let the engine run for 10 seconds.
10. Operate the throttle gradually.
11. Make sure the engine runs smoothly.

**Note:** If the engine stops, do the procedure again.

## About the surface

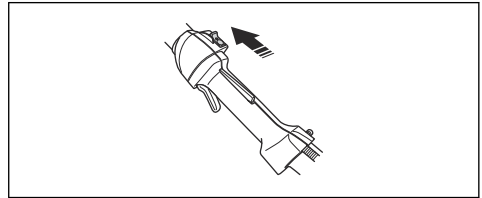


**WARNING:** Do not put parts of your body in the grey marked area. If you touch the grey marked area it can result in burns to the skin. It can also cause electrical shock if the spark plug cap has been damaged. Do not use a product with a damaged spark plug cap.



## To stop the product

1. Move the stop switch into the stop position to stop the engine.

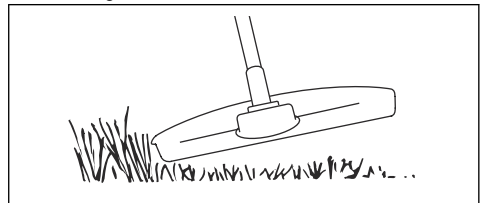


**CAUTION:** The stop switch automatically goes back to its initial position. In order to prevent accidental starting, the spark plug cap must be removed from the spark plug when assembling, checking and/or maintenance is done.

## Grass trimming with a trimmer head

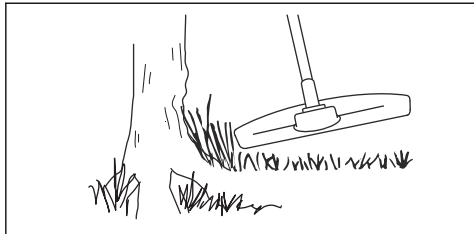
### To trim the grass

1. Hold the trimmer head immediately above the ground at an angle. Do not push the trimmer line into the grass.



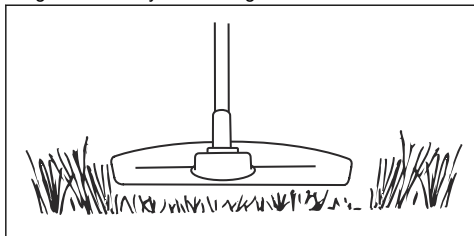
2. Decrease the length of the trimmer line by 10-12 cm / 4-4.75 in.
3. Decrease the engine speed to decrease the risk of damage to plants.

4. Use 80 % throttle when you cut grass near objects.

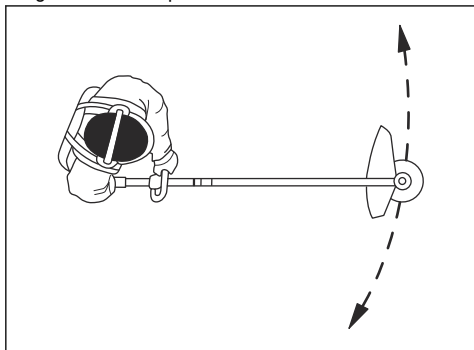


### To cut the grass

1. Make sure that the trimmer line is parallel to the ground when you cut the grass.



2. Do not push the trimmer head to the ground. This can cause damage to the product.
3. Move the product from side to side when you cut grass. Use full speed.



### To sweep the grass

The airflow from the rotating trimmer line can be used to remove cut grass from an area.

1. Hold the trimmer head and the trimmer line parallel to the ground and above the ground.
2. Apply full throttle.
3. Move the trimmer head from side to side and sweep the grass.



**WARNING:** Clean the trimmer head cover each time you assemble new trimmer line to prevent unbalance and vibrations in the handles. Also do a check of the other parts of the trimmer head and clean it if necessary.

## Maintenance

### To adjust the idle speed

Your Husqvarna product is designed and made to specifications that decrease harmful emissions.

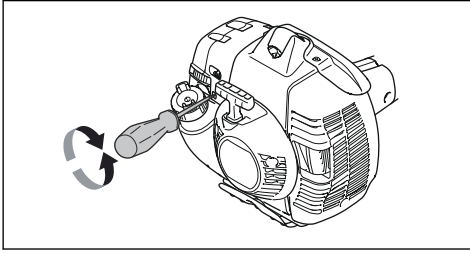
- Make sure that the air filter is clean and the air filter cover is attached before you adjust the idle speed.
- Adjust the idle speed with the idle adjustment screw T which is identified with "T" mark.



**WARNING:** If the cutting attachment does not stop when you adjust the idle speed, turn to your nearest servicing dealer. Do not use the product until it is correctly adjusted or repaired.

- The idle speed is correct when the engine operates smoothly in all positions. The idle speed must be below the speed when the cutting attachment starts to turn.

1. Turn the idle adjustment screw clockwise until the cutting attachment starts to turn.



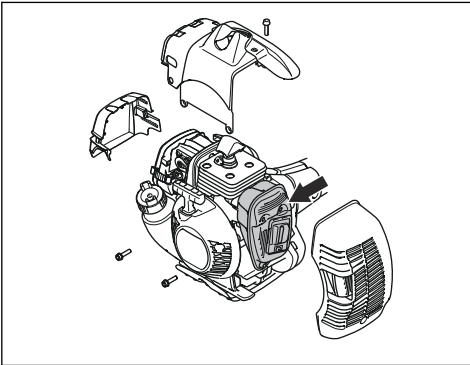
2. Turn the idle adjustment screw counterclockwise until the cutting attachment stops.

**Note:** See *Technical data on page 20* for the recommended idle speed.

## To do maintenance on the muffler



**WARNING:** The muffler is designed to decrease the noise level and to point the exhaust gases away from the operator. The exhaust gases are hot and can contain sparks, which can cause fire if pointed against dry and flammable material.

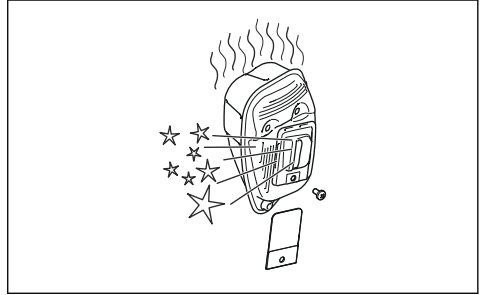


1. Examine if your product has a catalytic converter. See *Technical data on page 20*.



**WARNING:** Mufflers that have catalytic converters get very hot during operation and will stay hot for some time after you stop the product. This also applies at idle speed. If you touch the product it can result in burns to the skin. Think about of the risk of fire!

2. Some mufflers have a special spark arrester screen. Clean the spark arrester screen with a wire brush if your product has this type of muffler. Clean the spark arrester screen weekly on mufflers without a catalytic converter and on mufflers with a catalytic converter this must be done monthly. Replace the spark arrester screen if it is damaged and do not use a product with a damaged spark arrester screen.



**CAUTION:** If the spark arrester screen is frequently blocked it can be a sign that performance of the catalytic converter is decreased. Turn to your servicing dealer to examine the muffler. A blocked spark arrester screen will cause overheating and result in damage to the cylinder and piston.



**CAUTION:** The spark arrester screen must be replaced if it is damaged. Do not use a product if the spark arrester screen on the muffler is missing or defective.

## To do maintenance on the trimmer head

1. Only use the recommended cutting attachment and cutting attachment guard. Refer to *Accessories on page 21*.
2. Make sure that the cutter on the cutting attachment guard is not damaged, it cuts the cord to the correct length.
3. Install the cord as the illustrations on the last pages of the manual shows.

## Cooling system

The product has a cooling system to keep the operation temperature as low as possible.

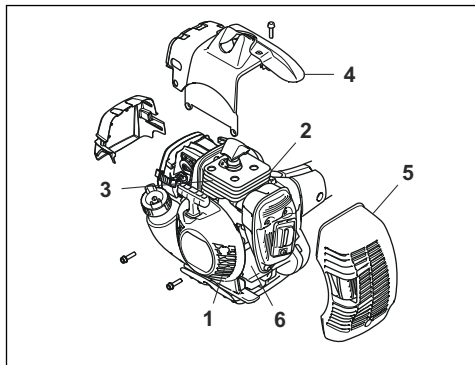
Clean the components of the cooling system with a brush weekly or more frequently in rougher conditions. A dirty or blocked cooling system makes the product too hot which causes damage to the piston and cylinder.

The cooling system has the following components:

1. Air intake on the starter.



2. Fins on the flywheel.
3. Cooling fins on the cylinder.
4. Cylinder cover (directs cool air over the cylinder).
5. Muffler cover.
6. Muffler plate.

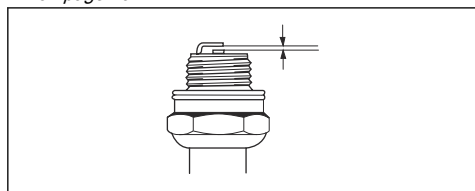


## To examine the spark plug



**CAUTION:** Always use the recommended spark plug type. Incorrect spark plug type can cause damage to the product.

- Examine the spark plug if the engine is low on power, is not easy to start or does not operate correctly at idle speed.
- To decrease the risk of unwanted material on the spark plug electrodes, obey these instructions:
  - a) Make sure that the idle speed is correctly adjusted.
  - b) Make sure that the fuel mixture is correct.
  - c) Make sure that the air filter is clean.
- If the spark plug is dirty, clean it and make sure that the electrode gap is correct, refer to *Technical data on page 20*.



- Replace the spark plug if it is necessary.

## Air filter

Remove dust and dirt from the air filter to keep it clean and prevent these problems:

- Carburetor malfunctions.
- Problems when you start the product.
- Loss of engine power.

- Increased wear to engine parts.
- Too much fuel consumption.

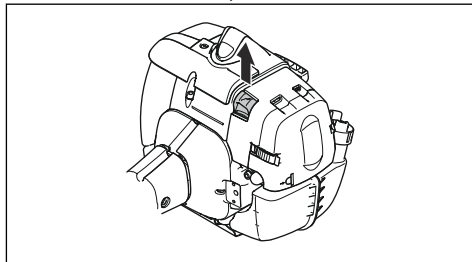
## To clean the air filter



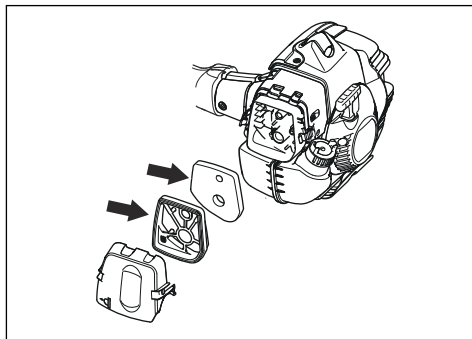
**CAUTION:** A air filter that is damaged, very dirty or soaked with fuel must always be replaced.

If you use an air filter for a long time it cannot be fully cleaned. Replace the air filter with a new one at regular intervals.

1. Move the choke lever up, to close the choke valve.



2. Remove the air filter cover and remove the air filter.

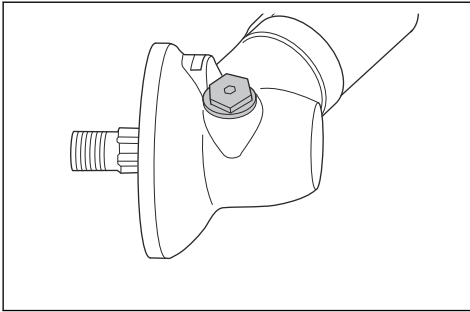


3. Clean the air filter with warm soap water. Make sure that the air filter is dry before you install it.
4. Replace the air filter if it is too dirty to fully clean it. Always replace a damaged air filter.
5. Also clean the inner surface of the filter cover. Use air or a brush.
6. Do a check of the rubber sealing surface. Replace the filter on the rubber seal if it is damaged.
7. Make sure that the filter is dry before you assemble it.

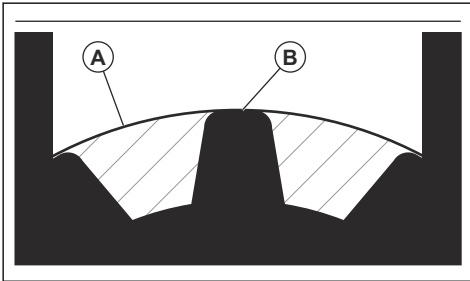
## To lubricate the bevel gear

1. Remove the cutting equipment.
2. Put the product with the grease plug at its highest position.

3. Remove the grease plug.



4. Look into the grease plug hole and turn the drive shaft. The grease level (A) must be in level with the top of the gear cogs (B).



5. If the grease level is too low fill the bevel gear with Husqvarna bevel gear grease. Fill slowly and turn the drive shaft as you apply the bevel gear grease, stop at the correct level (B).

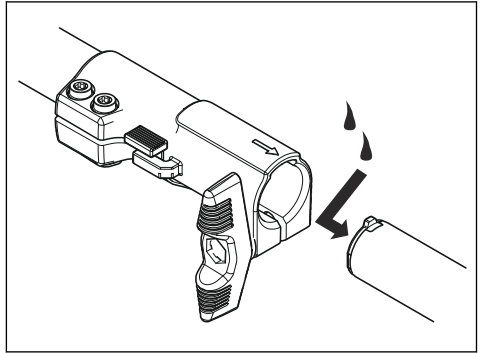


**CAUTION:** An incorrect quantity of grease can cause damage to the bevel gear.

6. Install the grease plug.

## Two piece-shaft

Apply grease to the end of the drive shaft after each 30 hours of operation. There is a risk that the drive shaft ends (splined coupling) on models with two-piece shafts will seize if they are not lubricated regularly.



## Maintenance schedule

The following is a list of the maintenance steps that must be performed on the product. Most of the items are described in *Maintenance on page 15*

**Note:** The user must only carry out the maintenance and service work described in this operator's manual. More extensive work must be carried out by an authorized service workshop.

Maintenance	Daily	Weekly	Monthly
Clean the external surface.	X		
Make sure that the throttle trigger lock and the throttle works correctly from a safety point of view.	X		
Do a check of the stop switch to make sure that it works correctly.	X		
Make sure that the cutting attachment does not rotate at idle speed.	X		
Clean the air filter. Replace if necessary.	X		
Examine the cutting attachment guard for damages and cracks. Replace the guard if it has been exposed to impact or is cracked.	X		
Examine the trimmer head for damages and cracks. Replace if damaged.	X		
Make sure that the screws and nuts are tight.	X		
Examine the engine, the fuel tank and the fuel lines for leaks.	X		
Clean the cooling system.		X	

Maintenance	Daily	Weekly	Monthly
Examine the starter and the starter rope for damages.		X	
Examine the vibration damping elements for damages and cracks.		X	
Clean the outside of the spark plug. Remove it and do a check of the electrode gap. Adjust the gap to the correct distance (see, <i>To examine the spark plug on page 17</i> ) or replace the spark plug. Make sure that the spark plug is fitted with a suppressor.		X	
Clean the outside of the carburettor and the space around it.		X	
Do a check of the bevel gear to make sure that it is filled three-quarters with lubricant. Use special grease to fill if necessary.		X	
Clean or replace the spark arrestor mesh on the muffler (only applies to mufflers without a catalytic converter).		X	
Do a check of the fuel filter for contamination and the fuel hose for cracks or other defects. Replace if necessary.			X
Do a check of all cables and connections.			X
Do a check of the clutch, clutch springs and the clutch drum for wear. Replace if necessary by an authorized service workshop.			X
Replace the spark plug. Make sure that the spark plug is fitted with a suppressor.			X
Check and clean the spark arrestor mesh on the muffler (only applies to mufflers without a catalytic converter).			X

---

## Troubleshooting

---

### The engine does not start

Check	Possible cause	Procedure
Stop switch.	The stop switch is in the stop position.	Set the stop switch to the start position.
Starter pawls.	The starter pawls cannot move freely.	Remove the starter cover and clean around the starter pawls.
		Let an approved service agent help you.
Fuel tank.	Incorrect fuel type.	Drain the fuel tank and fill with correct fuel.
Spark plug.	The spark plug is dirty or wet.	Make sure that the spark plug is dry and clean.
	The spark plug electrode gap is incorrect.	Clean the spark plug. Make sure that the electrode gap is correct. Make sure that the spark plug has a suppressor.
		Refer to technical data for correct electrode gap.
	The spark plug is loose.	Tighten the spark plug.

## The engine starts but stops again

Check	Possible cause	Procedure
Fuel tank.	Incorrect fuel type.	Empty the fuel tank and fill it with correct fuel.
Air filter.	The air filter is clogged.	Clean the air filter.

---

## Transportation and storage

---

### Transportation and storage

- Store and transport the product and fuel so that there is no risk that any leakage or fumes comes in contact with sparks or open flames, for example, from electrical machinery, electric motors, electrical relays/switches or boilers.
- When you store and transport fuel always use approved containers intended for this purpose.
- When you store the product for long periods the fuel tank must be emptied. Contact your local petrol station to find out where to dispose excess fuel. Drain the tank into the appropriate containers and in a well ventilated area.
- Ensure that the product is cleaned and that a complete service is carried out before long-term storage.
- The transport guard must always be fitted to the cutting attachment when the product is transported or in storage.
- Secure the product during transport.
- In order to prevent unintentional start of the engine, the spark plug cap must always be removed during long-term storage if the product is not under close supervision and when you perform all service measures.
- Allow the product to cool before you put in storage.

---

## Technical data

---

### Technical data

	535LK
<b>Engine</b>	
Cylinder displacement, cu.in / cm <sup>3</sup>	2.1 / 34.6
Cylinder bore, inch / mm	1.5 / 38
Stroke, inch / mm	1.2 / 30.5
Idle speed, rpm	2900
Recommended max. speed, rpm	11700
Speed of output shaft, rpm	8013
Max. engine output, according to ISO 8893, kW/hp @ rpm	1.5/2.0 @ 8400
Catalytic converter muffler	Yes
Speed-regulated ignition system	Yes
<b>Ignition system</b>	
Manufacturer/type of ignition system	Walbro
Spark plug	Champion RCJ 6Y

	<b>535LK</b>
Electrode gap, inch / mm	0.02 / 0.5
<b>Fuel and lubrication system</b>	
Manufacturer/type of carburetor	Zama EL36D
Fuel tank capacity, US Pint / l	1.3 / 0.6
<b>Weight</b>	
Without fuel, cutting attachment and guard, lb / kg	12.8 / 5.8

---

## Accessories

---

### Accessories

The accessories used in combination with the specified power heads have been evaluated to ANSI B175.3-2013 Grass Trimmers and Brushcutters Safety Requirements. These combinations have been evaluated by Underwriters Laboratories Inc. (UL) and are consequently UL listed.

<b>535LK</b>		
<b>Approved accessories</b>	<b>Type</b>	<b>Cutting attachment guard, art. no.</b>
Blade shaft thread M10		
Plastic blades	Tricut Ø 255 mm (separate blades have part number 531 01 77-15)	588 11 79-01
	Tricut Ø 300 mm (separate blades have part number 531 01 77-15)	588 11 79-01
Trimmer head	Superauto II (Ø 2,4-2,7 mm cord)	588 11 79-01
		588 11 79-01
	S35 (Ø 2,4-3,0 mm cord)	588 11 79-01
		588 11 79-01
	T35, T35x (Ø 2,4-3,0 mm cord)	588 11 79-01
588 11 79-01		
Alloy (Ø 2,0-3,3 mm cord)	588 11 79-01	
	588 11 79-01	

The accessories are recommended for use in combination with the specified power heads and have been evaluated to applicable ISO- and EN safety requirement standards by the Swedish Machinery Testing Institute.

<b>Approved attachments</b>	<b>Use with</b>
Clean sweep attachment SR600-2	535LK
Hedge trimmer attachment HA110	535LK
Hedge trimmer attachment HA850	535LK
Hedge trimmer attachment HA200	535LK
Hedge trimmer attachment HA860	535LK
Edger attachment EA850	535LK
Saw attachment PA1100	535LK
Trimmer attachment TA850	535LK
Extension attachment EX850	535LK
Cultivator attachment CA230	535LK
Blower attachment BA101	535LK
Bristle brush attachment BR600	535LK
Dethatcher attachment DT600	535LK
Polesaw attachment PAX730	535LK
Polesaw attachment PAX1100	535LK

---

# Warranty

---

## CALIFORNIA, U.S FEDERAL, AND CANADA EXHAUST AND EVAPORATIVE EMISSIONS CONTROL WARRANTY STATEMENT

### YOUR WARRANTY RIGHTS AND OBLIGATIONS

The California Air Resources Board (CARB), U.S. Environmental Protection Agency (EPA), Environment and Climate Change Canada and Husqvarna Professional Products, Inc. are pleased to explain the exhaust and evaporative emissions ("emissions") control system warranty on your 2022-2023\* small off-road engine. In California, new equipment that use small off-road engines must be designed, built, and equipped to meet State's stringent anti-smog standards. Husqvarna Professional Products, Inc. must warrant the emissions control system on your small off-road engine for the periods of time listed below provided there has been no abuse, neglect or improper maintenance of your small off-road engine or equipment leading to the failure of the emissions control system. Your emissions control system may include parts such as the carburetor or fuel injection system, the ignition system, catalytic convertor, fuel tanks, fuel lines (for liquid fuel and fuel vapors), fuel caps, valves, canisters, filters, clamps and other associated components. Also included may be hoses, belts, connectors, and other emission-related assemblies. Where a warrantable condition exists, Husqvarna Professional Products, Inc. will repair your small off-road engine at no cost to you including diagnosis, parts and labor.

### MANUFACTURER'S WARRANTY COVERAGE

The exhaust and evaporative emissions control system on your small off-road engine is warranted for two years. If any emissions-related part on your small off-road engine is defective, the part will be repaired or replaced by Husqvarna Professional Products, Inc..

### OWNER'S WARRANTY RESPONSIBILITIES

- As the small off-road engine owner, you are responsible for performance of the required maintenance listed in your owner's manual. Husqvarna Professional Products, Inc. recommends that you retain all receipts covering maintenance on your small off-road engine, but Husqvarna Professional Products, Inc. cannot deny warranty coverage solely for the lack of receipts or for your failure to ensure the performance of all scheduled maintenance.
- As the small off-road engine owner, you should however be aware that Husqvarna Professional Products, Inc. may deny you warranty coverage if your small off-road engine or a part has failed due to abuse, neglect, or improper maintenance or unapproved modifications.

- You are responsible for presenting your small off-road engine to a Husqvarna Professional Products, Inc. authorized servicing dealer as soon as the problem exists. The warranty repairs shall be completed in a reasonable amount of time, not to exceed 30 days. If you have any questions regarding your warranty rights and responsibilities, you should contact Husqvarna Professional Products, Inc. in USA at 1-800-487-5951, in CANADA at 1-800-805-5523 or send e-mail correspondence to [emissions@husqvarnagroup.com](mailto:emissions@husqvarnagroup.com) or [warranty@hpp-emissions.com](mailto:warranty@hpp-emissions.com).

### WARRANTY COMMENCEMENT DATE

The warranty period begins on the date the engine or equipment is delivered to an ultimate purchaser.

### LENGTH OF COVERAGE

Husqvarna Professional Products, Inc. warrants to the ultimate purchaser and each subsequent owner that the engine or equipment is designed, built, and equipped so as to conform with all applicable regulations adopted by CARB and EPA, and is free from defects in materials and workmanship that causes the failure of a warranted part for a period of two years.

### WHAT IS COVERED

**REPAIR OR REPLACEMENT OF PARTS:** Repair or replacement of any defective warranted part will be performed at no charge to you at a brand authorized servicing dealer. Except for repairs and replacement under this Emission Control Warranty, you may choose a repair shop or other person to maintain, replace or repair emission control devices and systems. However, Husqvarna Professional Products, Inc. recommends that all maintenance, replacement and repairs of emission control devices and systems be performed by a brand authorized servicing dealer.

**IMPORTANT:** This product is compliant with U.S. EPA Phase 3 regulations for exhaust and evaporative emissions. To ensure EPA Phase 3, California Air Resources Board and Environment and Climate Change Canada regulation, we recommend using only genuine product branded replacement parts. Use of non-compliant replacement parts is a violation of federal and state laws.

**WARRANTY PERIOD:** Any warranted part which is not scheduled for replacement as required maintenance, or which is scheduled only for regular inspection to the effect of "repair or replace as necessary" is warranted for 2 years (or time defined in the product warranty statement, whichever is longer) from the date of purchase by the initial consumer purchaser. Any warranted part which is scheduled for replacement as required maintenance is warranted for the period of the time up to the first scheduled replacement for that part.

Any part repaired or replaced under the warranty must be warranted for the remaining warranty period.

**DIAGNOSIS:** You will not be charged for diagnostic labor that leads to the determination that a warranted part is in fact defective, provided that such diagnostic work is performed at a brand authorized servicing dealer.

**OTHER DAMAGES:** Husqvarna Professional Products, Inc. will repair other engine components caused by the failure of a warranted part still under warranty.

### **EMISSION WARRANTY PARTS LIST**

1. Carburetor and intake parts or fuel injection system.
2. Air filter and fuel filter covered up to maintenance schedule.
3. Spark Plug, covered up to maintenance schedule.
4. Ignition Module.
5. Mufflers with catalyst and exhaust manifolds.
6. Fuel tank, fuel lines (for liquid fuel and fuel vapors), fuel cap, carbon canister and tip-over/anti-slosh valves as applicable.\*\*
7. Electronic Controls, Vacuum, temperature, and time sensitive valves and switches.
8. Hoses, connectors, and assemblies.
9. All other components the failure of which would increase the engine's exhaust and evaporative emissions of any regulated pollutant as set forth at the following:
  - For California see California Code of Regulations, 13 CCR §2405(d) and 2760(d).
  - For U.S. and Canada see US Federal Code of Regulations, 40 C.F.R. 1068 Appendix I (iii).

### **WHAT IS NOT COVERED**

All failures caused by abuse, neglect, unapproved modifications, misuse or improper maintenance are not covered.

**ADD -ON OR MODIFIED PARTS:** Add-on or modified parts that are not exempted by CARB or EPA may not be used. The use of any non-exempted add-on or modified parts will be grounds for disallowing a warranty claim. Husqvarna Professional Products, Inc. will not be liable to warrant failures of warranted parts caused by the use of a non-exempted add-on or modified part.

### **HOW TO FILE A CLAIM**

If you have any questions regarding your warranty rights and responsibilities, you should contact your nearest authorized servicing dealer or call Husqvarna Professional Products, Inc. in USA at 1-800-487-5951, in CANADA at 1-800-805-5523 or send e-mail correspondence to [emissions@husqvarnagroup.com](mailto:emissions@husqvarnagroup.com) or [warranty@hpp-emissions.com](mailto:warranty@hpp-emissions.com).

### **WHERE TO GET WARRANTY SERVICE**

Warranty services or repairs are provided through all Husqvarna Professional Products, Inc. authorized servicing dealers. If the nearest authorized servicing

dealer is more than 100 miles from your location, Husqvarna Professional Products, Inc. will arrange and pay for the shipping costs to and from a brand authorized servicing dealer or otherwise arrange for warranty service in accordance with applicable regulations.

### **MAINTENANCE, REPLACEMENT AND REPAIR OF EMISSION-RELATED PARTS**

Any replacement part may be used in the performance of any warranty maintenance or repairs and must be provided without charge to the owner. Such use will not reduce the warranty obligations of the manufacturer.

### **MAINTENANCE STATEMENT**

The owner is responsible for the performance of all required maintenance, as defined in the operator's manual.

\* Current and following model year will be updated annually in the warranty statement provided to the consumer. For example, in 2012 model year, 2012-2013 will be specified.

\*\* Evaporative emission parts.



## Contenido

Introducción.....	25	Solución de problemas.....	43
Seguridad.....	27	Transporte y almacenamiento.....	43
Montaje.....	33	Datos técnicos.....	44
Funcionamiento.....	35	Accesorios.....	44
Mantenimiento.....	38	Garantía.....	47

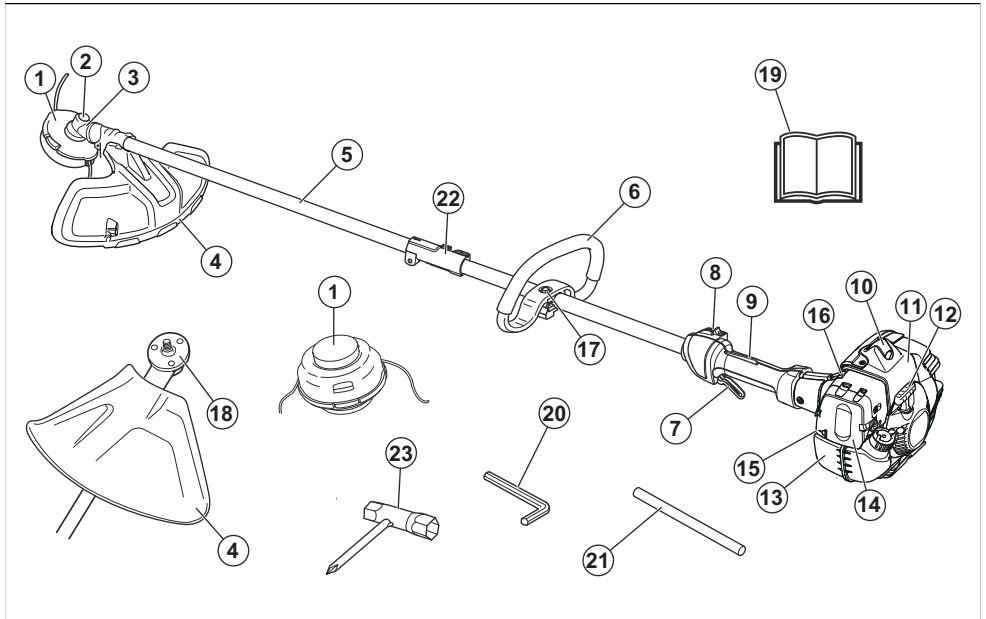
## Introducción

### Uso específico

El producto se utiliza con un cabezal de corte para cortar césped. No utilice el producto para otras tareas que no sean cortar y desbrozar césped.

**Nota:** Las normativas nacionales pueden establecer un límite para el funcionamiento del producto.

### Descripción general de la máquina



- |                                   |   |
|-----------------------------------|---|
| 1. Cabezal de corte               | 12. Empuñadura de la cuerda de arranque |
| 2. Tapón de llenado de grasa      | 13. Depósito de combustible             |
| 3. Engranaje angulado             | 14. Cubierta del filtro de aire         |
| 4. Protección del equipo de corte | 15. Bulbo de la purga de aire           |
| 5. Eje                            | 16. Estrangulador                       |
| 6. Mango cerrado                  | 17. Ajuste del mango                    |
| 7. Gatillo del acelerador         | 18. Disco de arrastre                   |
| 8. Interruptor de detención       | 19. Manual del usuario                  |
| 9. Bloqueo del acelerador         | 20. Llave hexagonal                     |
| 10. Sombrero de bujía y bujía     | 21. Pasador de bloqueo                  |
| 11. Cubierta del cilindro         | 22. Acoplamiento de eje                 |

## Símbolos en el producto



Tenga cuidado y utilice el producto correctamente. Este producto puede causar daños graves o fatales al operador o a otras personas.



Lea atentamente el manual de instrucciones y asegúrese de que entiende las instrucciones antes de usar este producto.



Utilice un casco protector en lugares donde puedan caer objetos sobre usted. Use protección auricular aprobada. Use protección ocular aprobada.



Use guantes protectores homologados.



Use botas antideslizantes de servicio pesado.



El producto puede provocar que los objetos salgan expulsados, lo que puede causar lesiones.



Régimen máximo del eje de salida.



Manténgase a un mínimo de 15 m de distancia de las personas y los animales mientras el producto esté funcionando.



Utilice solo cable de corte flexible. No use equipos de corte metálicos para cortar césped.



Las flechas muestran el límite de la posición del mango.



Bulbo de la purga de aire.



Estrangulador.



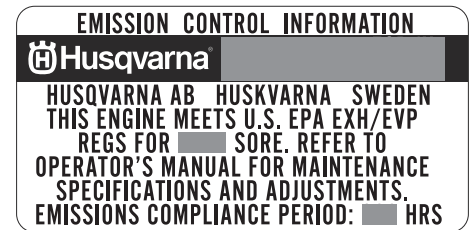
Combustible.

yyyywwxxxx

La placa de características muestra el número de serie. **yyyy** es el año de fabricación y **ww** es la semana de producción.

**Nota:** Otros símbolos o etiquetas en la máquina hacen referencia a requisitos de certificación para algunos mercados.

## EPA III



El período de cumplimiento de emisiones al que se hace referencia en la etiqueta de cumplimiento de emisiones indica la cantidad de horas de funcionamiento para la que se ha demostrado que el motor cumple el requisito de emisiones federales. El mantenimiento, reemplazo o reparación de los dispositivos y sistemas de control de emisiones puede realizarlo cualquier establecimiento o persona de que repare motores para uso fuera de carretera.

## ABREVIATURAS DE LA ETIQUETA DE CONTROL DE EMISIONES

### Información general

CAL	California	EVAP	Evaporación	REGS	Reglamentos
DISPL	Desplazamiento	EXH/EVP	Escape y evaporación	SORE	Motores todoterreno pequeños

## ABREVIATURAS DE LA ETIQUETA DE CONTROL DE EMISIONES

### Información general

ECS	Sistema de control de emisiones	HRS	Horas	US EPA	Agencia de Protección Ambiental de Estados Unidos
-----	---------------------------------	-----	-------	--------	---

### Sistemas de control de emisiones de escape

ECM	Módulo de control del motor (afinación automática)	OC	Catalizador oxidante
EM	Modificación del motor	TWC	Catalizador de tres vías

### Sistemas de control de emisiones por evaporación

C	Coextrusionado (multi-capa)	P	HDPE o PE tratados
N	Nailon	S	Sellado

## Propuesta 65 de California

**⚠ ¡ADVERTENCIA!**

Los gases de escape del motor de este producto contienen sustancias químicas conocidas en el Estado de California como causantes de cáncer, defectos congénitos y otros daños reproductivos.

## Seguridad

### Definiciones de seguridad

Las advertencias, precauciones y notas se utilizan para señalar las piezas particularmente importantes del manual.



**ADVERTENCIA:** Se utilizan para señalar el riesgo de lesiones graves o mortales para el operador o para aquellos que se encuentren cerca si no se siguen las instrucciones del manual.



**PRECAUCIÓN:** Se utilizan para señalar el riesgo de dañar la máquina, otros materiales o el área adyacente si no se siguen las instrucciones del manual.

**Nota:** Se utilizan para entregar más información necesaria en situaciones particulares.

### Instrucciones generales de seguridad



**ADVERTENCIA:** Lea atentamente las instrucciones de advertencia siguientes antes de usar el producto.

- Una desbrozadora, un quita arbustos o una recortadora pueden resultar peligrosos si se utilizan de manera inapropiada o incorrecta, ya que pueden causar daños graves o fatales al operador u otras personas. Es muy importante que lea y comprenda el contenido de este manual de usuario.
- Bajo ninguna circunstancia se puede modificar el diseño del producto sin autorización del fabricante. No utilice nunca un producto que ha sido modificado de cualquier modo con respecto a la especificación original y utilice siempre accesorios originales. Las modificaciones o accesorios no autorizados pueden provocar daños personales o la muerte del operador u otras personas.
- El interior del silenciador contiene productos químicos que pueden ser cancerígenos. Evite el

contacto con estos elementos en caso de que se dañe el silenciador.

- En este producto se genera un campo electromagnético durante su funcionamiento. Este campo puede, en determinadas circunstancias, interferir con implantes médicos activos o pasivos. Para reducir el riesgo de lesiones graves o fatales, recomendamos a las personas con implantes médicos consultar a su médico y al fabricante del implante médico antes de usar esta máquina.

## Instrucciones de seguridad para el funcionamiento



**ADVERTENCIA:** Lea atentamente las instrucciones de advertencia siguientes antes de usar el producto.

- Debe entender la diferencia entre desbroce de césped y recorte de césped antes de usarlo.
- Si se encuentra en una situación en la que no está seguro de cómo proceder, debe preguntarle a un experto. Comuníquese con el distribuidor o el taller de servicio. Evite todos los usos que considere que están más allá de su capacidad.
- Nunca utilice un producto que esté defectuoso. Realice las comprobaciones de seguridad, el mantenimiento y las instrucciones de servicio descritas en este manual. Especialistas capacitados y calificados deben llevar a cabo algunas medidas de mantenimiento y servicio. Consulte *Mantenimiento en la página 38*.
- Todas las tapas, protecciones y mangos deben estar montados antes de arrancar la máquina. Asegúrese de que el sombrerete de bujía y el cable de encendido estén en perfecto estado para evitar el riesgo de descarga eléctrica.
- No utilice nunca la máquina si está cansado, bajo la influencia del alcohol o las drogas, medicamentos o cualquier cosa que pudiera afectar su visión, vigilancia, coordinación o criterio.
- No utilice la máquina en condiciones climáticas desfavorables, como niebla densa, lluvia intensa, tempestad, frío intenso, etcétera. Trabajar con mal tiempo es agotador y, a menudo, se presentan más riesgos, como suelo con hielo, dirección de corte impredecible, etcétera.
- Los únicos accesorios que pueden utilizarse con esta unidad de motor son los equipos de corte que recomendamos. Consulte *Accesorios en la página 44*.
- Nunca permita que los niños utilicen el producto o que estén cerca de este. Debido a que el producto está equipado con un interruptor de arranque/detención que se acciona por resorte y se puede arrancar con baja velocidad y fuerza desde el mango de arranque, incluso niños pequeños pueden, en determinadas circunstancias, lograr la fuerza necesaria para arrancar el producto. Esto puede significar riesgo de daños personales graves.

Por consiguiente, saque el sombrerete de bujía cuando no se supervise el producto atentamente.

- Hacer funcionar un motor en un área confinada o mal ventilada puede producir la muerte por asfixia o intoxicación por monóxido de carbono.
- Toda la cubierta del embrague y el eje deben estar montados antes de encender la máquina; de lo contrario, el embrague se puede desprender y puede causar daños personales.
- Asegúrese de que ninguna persona o animal se acerque a menos de 15 m mientras trabaja. Cuando varios operadores trabajen en la misma zona, la distancia de seguridad debe ser de al menos 15 m. De lo contrario, existe el riesgo de que se produzcan lesiones personales graves. Detenga el producto de inmediato si alguien se acerca. Nunca balancee el producto sin mirar primero hacia atrás para asegurarse de que nadie se encuentre dentro de la zona de seguridad.
- Asegúrese de que ni personas, ni animales ni ningún objeto o elemento puedan influir en su control del producto o que no entren en contacto con el equipo de corte u objetos flojos que son lanzados por el equipo de corte. No obstante, no utilice el producto, a menos que pueda pedir ayuda en caso de que ocurra un accidente.
- Siempre inspeccione la zona de trabajo. Quite todos los objetos sueltos, como piedras, cristales rotos, clavos, alambres de acero, cuerdas, etcétera., que podrían ser lanzados o enredarse en el equipo de corte.
- Cerciórese de que puede caminar y mantenerse de pie con seguridad. Revise el área a su alrededor para detectar posibles obstáculos (raíces, piedras, ramas, zanjas, etc.) en caso de que tenga que moverse repentinamente. Tenga sumo cuidado al trabajar en terreno inclinado.



- Mantenga un buen equilibrio en todo momento. No se estire demasiado.
- Siempre sujete el producto con ambas manos. Mantenga el producto al lado derecho de su cuerpo.
- Mantenga el equipo de corte por debajo de la cintura.
- Apague el motor antes de pasar a otra área. Coloque la protección para transportes antes de llevar o transportar el equipo una cierta distancia.

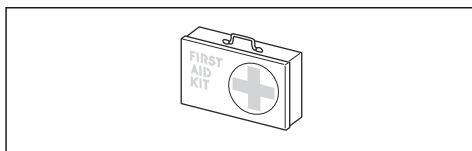
- Nunca suelte el producto con el motor activado a menos que lo tenga a la vista.
- Pare el motor y el equipo de corte antes de quitar el material que se ha enrollado en el eje de la hoja. Ni el usuario del producto ni ninguna otra persona debe intentar retirar el material cortado mientras el motor está en marcha o el equipo de corte está girando, ya que esto puede provocar lesiones graves. El engranaje angulado puede calentarse durante el uso y es posible que permanezca caliente por un largo tiempo. Si lo toca, puede quemarse.
- Esté atento a que no salgan objetos despedidos. Use siempre protección ocular homologada. No se apoye nunca sobre la protección del equipo de corte. Es posible que las piedras, residuos, etcétera, salgan despedidos en dirección a los ojos y le causen ceguera o lesiones graves.
- Algunas ramas o césped podrían quedar atrapados entre la protección y el equipo de corte. Detenga el motor antes de limpiar el producto.
- Reduzca siempre la velocidad del motor a ralentí después de cada tarea. Utilizar la máquina períodos prolongados a aceleración máxima sin ninguna carga en el motor puede provocar daños graves al motor.
- Preste atención a las señales de advertencia o gritos cuando utilice protectores auriculares. Siempre retire sus protectores auriculares apenas se detenga el motor.
- La sobreexposición a las vibraciones puede producir trastornos vasculares o nerviosos en personas que padecen de trastornos circulatorios. Comuníquese con su médico si experimenta síntomas de la sobreexposición a las vibraciones. Estos síntomas incluyen entumecimiento, pérdida de sensibilidad, hormigueo, ardor, dolor, pérdida de fuerza y cambios en el color o el estado de la piel. Normalmente, estos síntomas se presentan en los dedos, manos o muñecas.
- No utilice un producto con un sombrerete de bujía dañado.
- No utilice un producto con un silenciador defectuoso.
- Mantenga todas las partes del cuerpo lejos del equipo de corte giratorio y superficies calientes.
- Nunca utilice un producto con un silenciador defectuoso.
- Nunca arranque ni utilice el producto en interiores, cerca de material combustible ni en espacios que no cuenten con una ventilación adecuada. Los gases de escape del motor contienen monóxido de carbono, un gas inodoro, tóxico y altamente peligroso. Además, los gases de escape están calientes y pueden contener chispas que podrían provocar un incendio.
- Utilice siempre el equipo de protección personal adecuado cuando use el producto. El equipo de protección personal no puede impedir el riesgo de lesiones, pero disminuirá el grado de lesión si ocurre un accidente. Permita que su distribuidor lo ayude a seleccionar el equipo correcto.
- Utilice un casco si los árboles en el área de trabajo tienen una altura de más de 2 m/6,5'.
- Use protección auricular aprobada.
- Utilice siempre gafas protectoras homologadas que cumplan con la norma ANSI Z87.1 en los Estados Unidos o EN 166 en los países de la UE. Utilice un visor para protección facial. El visor no es suficiente para proteger los ojos.



- Utilice guantes cuando sea necesario, por ejemplo, cuando conecte, examine o limpie el equipo de corte.
- Use botas de protección con punta de acero y suelas antideslizantes.
- Utilice ropa de material resistente. Use siempre pantalones largos y gruesos, y mangas largas. Evite usar ropas holgadas que se puedan enganchar con ramas. No utilice joyas, pantalones cortos o sandalias. No esté descalzo. Asegure su cabello por encima del nivel de los hombros.



- Mantenga cerca el equipo de primeros auxilios.



## Dispositivos de seguridad en el producto



**ADVERTENCIA:** Lea atentamente las instrucciones de advertencia siguientes antes de usar el producto.

En esta sección se describen las características de seguridad del producto y su propósito, y cómo deben llevarse a cabo las comprobaciones y el mantenimiento para asegurarse de que funciona correctamente. Consulte las instrucciones bajo el título *Descripción general de la máquina en la página 25* para ver dónde están situados estos componentes en el producto.

## Equipo de protección personal



**ADVERTENCIA:** Lea atentamente las instrucciones de advertencia siguientes antes de usar el producto.

La vida útil del producto se puede reducir y el riesgo de accidentes puede aumentar si el mantenimiento del producto no se realiza correctamente y si el servicio o las reparaciones no se llevan a cabo de forma profesional. Si necesita más información, comuníquese con su taller de servicio más cercano.



**ADVERTENCIA:** No utilice nunca un producto con componentes de seguridad defectuosos. El equipo de seguridad del producto se debe inspeccionar y mantener tal como se describe en esta sección. Si el producto no pasa exitosamente alguna de estas comprobaciones, póngase en contacto con el taller de servicio para que lo reparen.

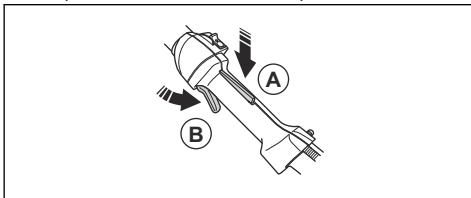


**PRECAUCIÓN:** Todos los trabajos de servicio y reparación de la máquina requieren una formación especial. Esto aplica especialmente al equipo de seguridad. Si la máquina no pasa exitosamente alguna de las comprobaciones indicadas a continuación, póngase en contacto con el taller de servicio. La compra de alguno de nuestros productos le garantiza la disponibilidad de mantenimiento y servicio profesionales. Si el comerciante que vende la máquina no es un concesionario de servicio, pídala la dirección del taller de servicio más cercano.

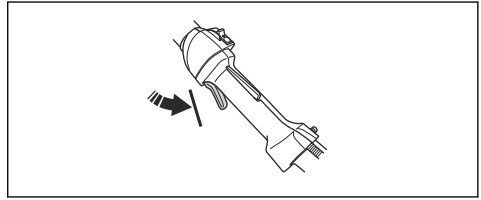
### Comprobación del fiador del acelerador

El fiador del acelerador está diseñado para evitar el funcionamiento accidental del acelerador.

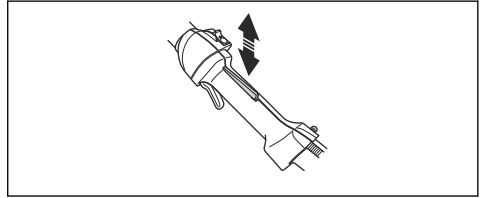
1. Presione el fiador del acelerador (A) y asegúrese de que el acelerador se libere (B). Cuando suelta la manija, el fiador del acelerador y el acelerador vuelven a sus posiciones iniciales. Este movimiento se controla mediante dos muelles de retorno independientes. En esta posición el acelerador se bloquea automáticamente en la posición de ralentí.



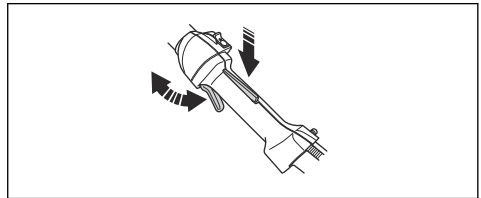
2. Asegúrese de que el acelerador esté bloqueado en la posición de ralentí cuando el fiador del acelerador se suelta.



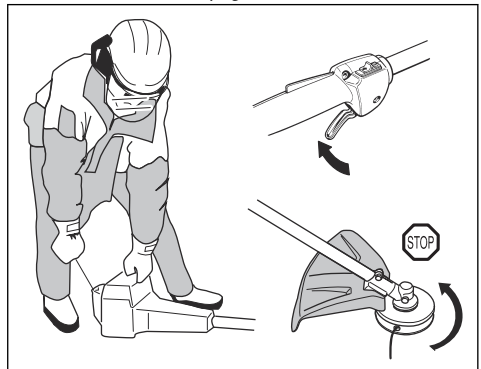
3. Presione el fiador del acelerador y asegúrese de que vuelva a su posición inicial cuando lo suelte.



4. Compruebe que el acelerador y el fiador del acelerador se muevan con facilidad y que los muelles de retorno funcionen correctamente.

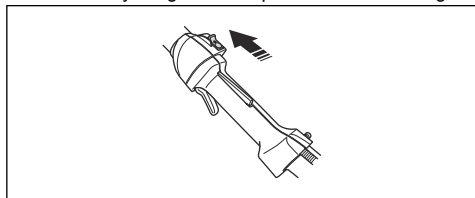


5. Encienda el producto (consulte las instrucciones en *Para preparar la máquina para el arranque en la página 36*) y aplique aceleración máxima.
6. Suelte el acelerador y asegúrese de que el equipo de corte se detenga y permanezca inmóvil. Si el equipo de corte gira con el acelerador en la posición de ralentí, se debe comprobar el ajuste de ralentí del carburador. Consulte las instrucciones en el capítulo *Mantenimiento en la página 38*.

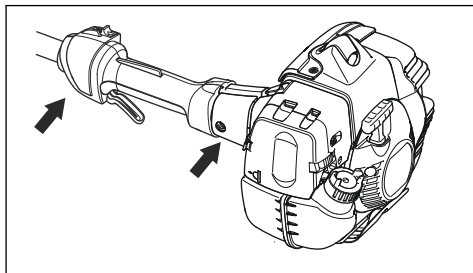


### Para comprobar el interruptor de detención

1. Arranque el motor.
2. Mueva el interruptor de detención a la posición de detención y asegúrese de que el motor se detenga.



producto reduce la transmisión de las vibraciones entre la unidad del motor y la unidad del eje del producto.



### Comprobación de la protección del equipo de corte

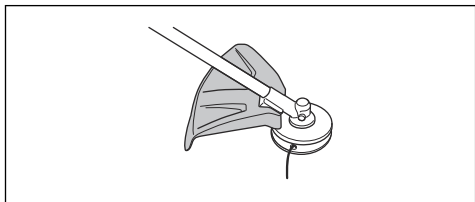


**ADVERTENCIA:** No utilice un equipo de corte sin una protección para equipo de corte aprobada y correctamente acoplada. Consulte *Accesorios en la página 44*.



**ADVERTENCIA:** Utilice siempre la protección para el equipo de corte recomendada para el equipo de corte que utilice. Un montaje incorrecto o defectuoso de una protección para el equipo de corte puede provocar daños personales graves. Consulte *Datos técnicos en la página 44*.

La protección del equipo de corte evita lesiones provocadas por un objeto suelto que sale expulsado en dirección al usuario. También evita lesiones que se producen si toca el equipo de corte.



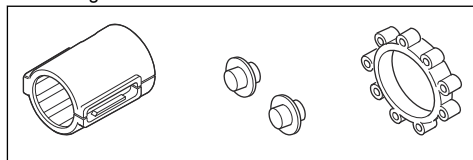
1. Realice una comprobación visual para determinar si existen daños, por ejemplo, grietas.
2. Reemplace la protección del equipo de corte si está dañada.

### Para comprobar el sistema amortiguador de vibraciones

**Nota:** El uso de un hilo mal enrollado o de un equipo de corte incorrecto aumenta el nivel de vibraciones. Consulte las instrucciones en *Accesorios en la página 44*.

El sistema amortiguador de vibraciones disminuye la vibración en los manillares al mínimo, lo que facilita la operación. El sistema amortiguador de vibraciones del

1. Detenga el motor.
2. Realice una comprobación visual para determinar si hay deformaciones y daños, por ejemplo, grietas.
3. Asegúrese de conectar los elementos del sistema amortiguador de vibraciones correctamente.



### Para comprobar el silenciador



**ADVERTENCIA:** Tenga en cuenta que los gases de escape del motor están calientes y pueden contener chispas que podrían iniciar un incendio. ¡Nunca arranque la máquina en interiores o cerca de material inflamable!



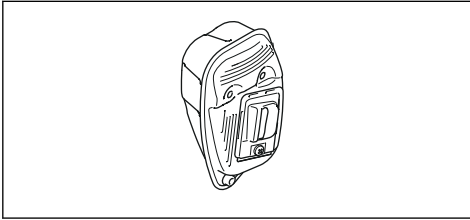
**ADVERTENCIA:** Nunca utilice la máquina en un espacio interior o en espacios sin ventilación adecuada. Los gases de escape contienen monóxido de carbono: un gas inodoro, tóxico y altamente peligroso.



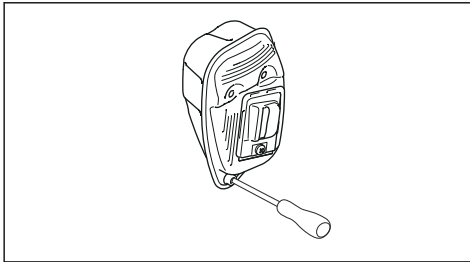
**ADVERTENCIA:** Nunca utilice nunca un producto con un silenciador defectuoso.



El silenciador mantiene los niveles de ruido al mínimo y envía los gases de escape lejos del operador. Con respecto a los silenciadores, es sumamente importante seguir las instrucciones sobre el control, mantenimiento y servicio de su producto.

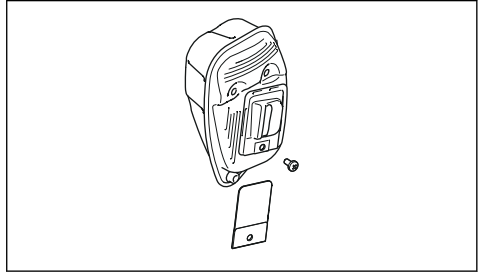


- Realice una comprobación visual para determinar si hay daños y deformaciones.
- Asegúrese de que el silenciador esté correctamente unido al producto.



- Si el silenciador de su producto tiene una rejilla apagachispas, realice una comprobación visual. Cambie la rejilla apagachispas si está dañada.
  - a) Limpie la rejilla apagachispas si está bloqueada. Una rejilla bloqueada puede producir el sobrecalentamiento del motor, lo que puede provocar daños graves.

- b) Asegúrese de que la red apagachispas esté montada correctamente.



## Seguridad del combustible



**ADVERTENCIA:** Lea atentamente las instrucciones de advertencia siguientes antes de usar el producto.

- No arranque nunca el producto si derrama combustible sobre este. Seque el derrame y deje que los restos de combustible se evaporen.
- Nunca arranque el producto si ha derramado combustible sobre sí mismo o su ropa. Cámbiese de ropa y lave la parte de su cuerpo que entró en contacto con el combustible. Utilice jabón y agua.
- Nunca arranque el producto si el producto tiene fugas de combustible. compruebe regularmente si hay fugas en el tapón y las tuberías de combustible.
- Ponga siempre el producto en una superficie plana y asegúrese de que el equipo de corte no pueda entrar en contacto con algún objeto mientras se agrega combustible.
- Tenga cuidado cuando manipule combustible. Tenga en consideración el riesgo de incendio, explosión e intoxicación respiratoria.
- Tenga precaución al manipular el combustible y asegúrese de que haya buena ventilación. El combustible y sus vapores son altamente inflamables y pueden causar lesiones graves cuando se inhalan o si entran en contacto con la piel.
- Mezcle y vierta el combustible en el exterior, donde no haya chispas ni llamas.
- No fume ni coloque objetos calientes cerca del combustible.
- Siempre detenga el motor y deje que se enfríe durante algunos minutos antes de rellenar con combustible.
- Cuando rellene con combustible, abra el tapón de combustible lentamente para que toda la presión se libere suavemente.
- Apriete el tapón de combustible cuidadosamente después de rellenar con combustible.
- Limpie el área alrededor del tapón de combustible. La contaminación en el depósito puede ocasionar problemas de funcionamiento.



- Siempre mueva el producto 3 m (10 pies) o más lejos de la zona donde de la fuente de combustible y donde rellena con combustible antes de arrancar.

## Instrucciones de seguridad para el mantenimiento



**ADVERTENCIA:** Siempre detenga el motor antes de trabajar en el equipo de corte. El equipo de corte sigue girando incluso después de soltar el acelerador. Asegúrese de que el equipo de corte esté completamente detenido y desconecte la bujía antes de empezar a trabajar en este.



**ADVERTENCIA:** Un equipo de corte defectuoso puede aumentar el riesgo de accidentes.



**ADVERTENCIA:** Asegúrese de que el hilo de la recortadora esté enrollado en forma firme y uniforme al tambor; de lo contrario, el producto producirá vibraciones perjudiciales.

- Solo use el equipo de corte con las protecciones que recomendamos. Consulte *Accesorios en la página 44*.

## Montaje

### Introducción



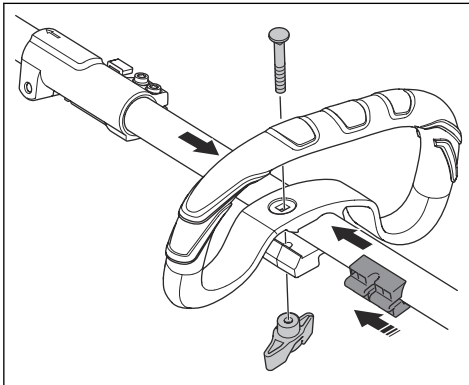
**ADVERTENCIA:** Antes de montar el producto, debe leer y entender el contenido del capítulo sobre seguridad.



**ADVERTENCIA:** Retire el cable de la bujía de la bujía antes de montar el producto.

### Para conectar el mango cerrado

1. Fije el mango cerrado sobre el eje entre las flechas.

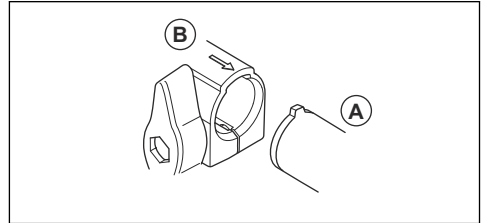


2. Mueva el separador en la ranura del mango cerrado.
3. Instale la tuerca, la perilla y el perno. No apriete el perno completamente.
4. Ajuste el producto a una posición cómoda.
5. Apriete el perno.

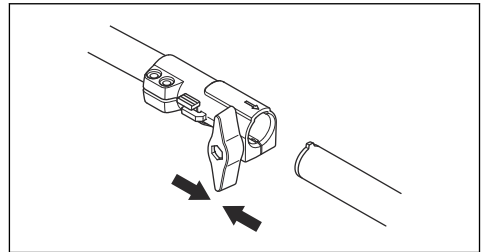
### Montaje del eje de dos piezas

1. Gire la perilla para aflojar el acoplamiento.

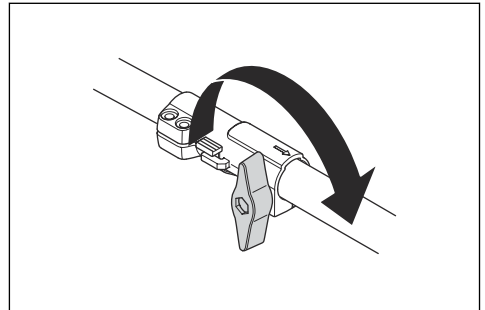
2. Alinee la lengüeta del equipo de corte (A) con la flecha en el acoplamiento (B).



3. Empuje cuidadosamente el eje en el acoplamiento hasta que se escuche un clic.

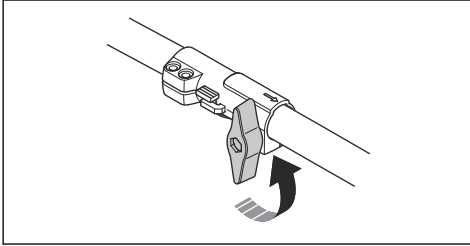


4. Apriete la perilla hasta el fondo.

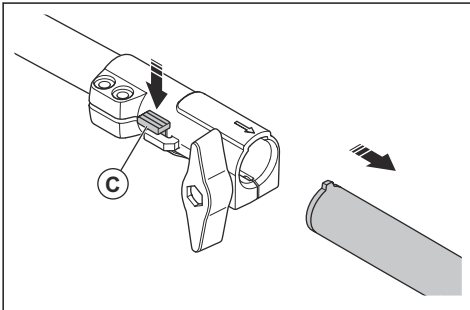


## Para desmontar el eje de dos piezas

1. Gire la perilla unas 3 vueltas o más para aflojar el acoplamiento.

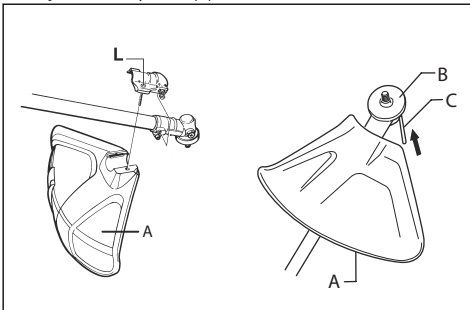


2. Mantenga presionado el botón (C).
3. Apriete fuertemente hacia el extremo del eje al que está conectado el motor.
4. Tire del accesorio para sacarlo del acoplamiento.



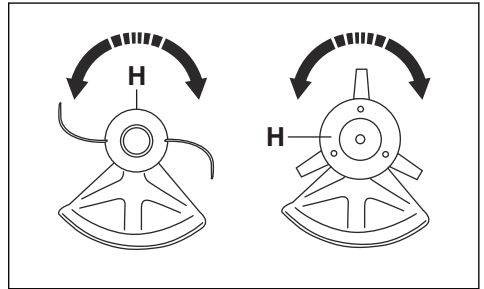
## Para montar la protección del equipo de corte y el cabezal de corte

1. Fije la protección del equipo de corte (A) correcta para el cabezal de corte. Consulte *Accesorios en la página 44*.
2. Coloque la protección del equipo de corte en la conexión sobre el eje.
3. Fíjela con el perno (L).



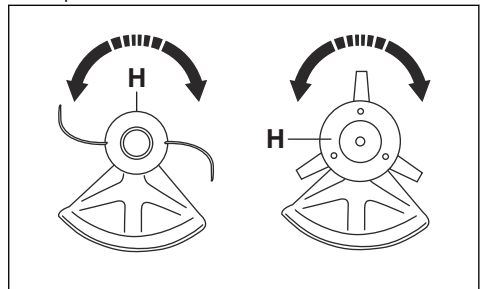
4. Instale el disco de arrastre (B) en el eje de salida.

5. Gire el eje de salida hasta que uno de los orificios en el disco de arrastre se alinee con el orificio correspondiente en la caja de engranajes.
6. Coloque el pasador de bloqueo (C) en el orificio para bloquear el eje.
7. Gire el cabezal de corte/cuchillas de plástico (H) en el sentido contrario en que rotan el cabezal de corte/cuchillas de plástico.

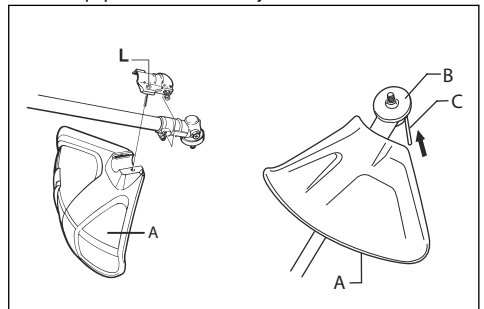


## Para desmontar la protección del equipo de corte y el cabezal de corte

1. Gire el cabezal de corte/cuchillas de plástico (H) en el sentido en que rotan el cabezal de corte/cuchillas de plástico.



2. Tire del pasador de bloqueo (C) en el orificio para desbloquear el eje.
3. Retire el disco de arrastre (B) en el eje de salida.
4. Afloje el perno (L) de la conexión de la protección del equipo de corte en el eje.



5. Quite la protección del equipo de corte (A).

# Funcionamiento

## Combustible

Este producto tiene un motor de dos tiempos.



**PRECAUCIÓN:** Usar el tipo incorrecto de combustible puede causar daños en el motor. Utilice una mezcla de gasolina y de aceite para motores de dos tiempos.

## Gasolina

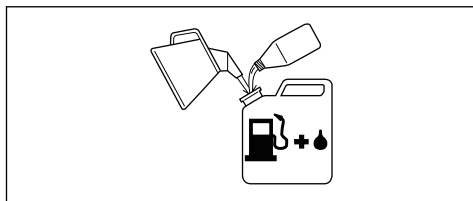


**PRECAUCIÓN:** Utilice siempre una mezcla de calidad de gasolina/aceite de como mínimo 90 octanos (RON). Existe riesgo de que el uso de gasolina de octanaje más bajo genere un golpeteo. Esto da lugar a alta temperatura del motor, lo que puede provocar graves averías del motor.



**PRECAUCIÓN:** Si el producto está equipado con un catalizador utilice una mezcla de gasolina sin plomo/aceite de buena calidad. La gasolina con plomo estropeará el catalizador.

- Utilice gasolina de bajas emisiones, también conocida como gasolina de alquilato, si está disponible.



- Puede utilizarse combustible combinado con etanol, E10 (máx. 10 % de mezcla de etanol). El uso de mezclas de etanol de mayor concentración que E10 puede causar un mal funcionamiento que puede dañar el motor.
- Recomendamos un octanaje mayor cuando trabaje en forma continua a alta velocidad.

## Combustible de alquilato Husqvarna

Le recomendamos que utilice combustible de alquilato Husqvarna para obtener un mejor rendimiento. Este combustible contiene menos materiales peligrosos en comparación con el combustible normal, lo cual disminuye gases de escape peligrosos. El combustible proporciona una pequeña cantidad de restos peligrosos cuando se quema, lo que mantiene los componentes

del motor más limpios. Esto prolonga la vida útil del motor. El combustible de alquilato Husqvarna no está disponible en todos los mercados.

## Aceite para motores de dos tiempos



**PRECAUCIÓN:** Un aceite de calidad insuficiente o una proporción incorrecta de aceite/combustible puede dañar el producto y disminuir la vida útil del catalizador.



**PRECAUCIÓN:** No utilice aceite para motores de dos tiempos para motores fueraborda refrigerados por agua, también conocido como aceite para fueraborda.



**PRECAUCIÓN:** No utilice aceite para motores de cuatro tiempos.

- Para obtener los mejores resultados y el mejor rendimiento, utilice aceite para motores de dos tiempos Husqvarna.
- Si el aceite para motores de dos tiempos Husqvarna no está disponible, utilice un aceite para motores de dos tiempos diferente de buena calidad para motores enfriados por aire. Contáctese con su concesionario de servicio para seleccionar el aceite correcto.

Gasolina, l	Aceite para motores de dos tiempos, l
	<b>2 % (50:1)</b>
5	0,10
10	0,20
15	0,30
20	0,40

## Para mezclar gasolina y aceite para motores de dos tiempos

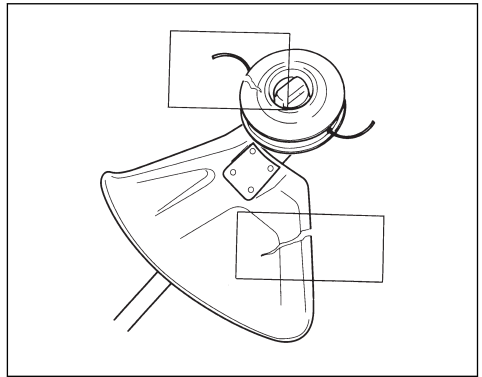


**PRECAUCIÓN:** Existe riesgo de que pequeños errores influyan en la proporción de la mezcla drásticamente cuando mezclas pequeñas cantidades de combustible. Mida cuidadosamente la cantidad de aceite que se mezcla para asegurarse de obtener la mezcla adecuada.

cadena con frecuencia y sustituya el filtro de combustible una vez al año o más seguido.

## Antes de usar el producto

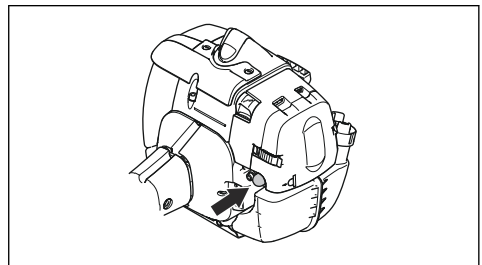
- Examine la zona de trabajo para asegurarse de conocer el tipo de terreno. Examine la pendiente de la tierra y observe si hay obstáculos como piedras, ramas y zanjas.
- Realice una inspección general del producto.
- Haga las inspecciones de seguridad, mantenimiento y servicio que figuran en este manual.
- Asegúrese de que todas las cubiertas, protección de la recortadora y el cabezal de corte estén montados correctamente y no estén dañados ni agrietados. Sustitúyalos si se exponen a golpes o si tienen grietas.



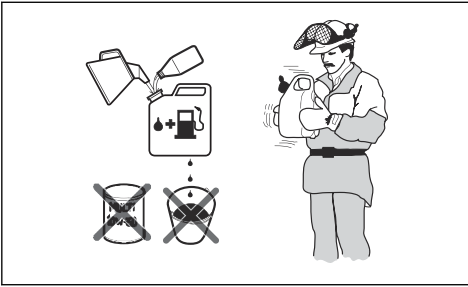
**ADVERTENCIA:** No utilice el producto sin una protección o con una protección defectuosa.

## Para preparar la máquina para el arranque

1. Presione la purga de aire una y otra vez hasta que el combustible comience a llenar el bulbo.



**Nota:** No es necesario llenar totalmente la bomba.

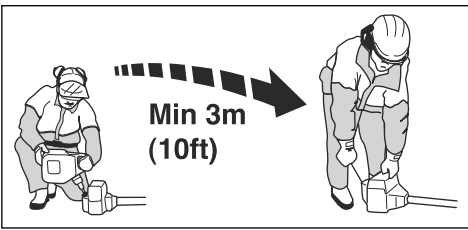


1. Llene la mitad de la cantidad de gasolina que se va a utilizar.
2. Añada la cantidad total de aceite y agite la mezcla de combustible.
3. Añada el resto de gasolina.
4. Con cuidado, agite la mezcla de combustible y llene el depósito de combustible de la máquina.
5. Vacíe y limpie el depósito de combustible si no utilizar la máquina durante un tiempo prolongado.

**Nota:** No utilice un combustible de más de 1 mes para realizar una mezcla, y siempre mezcle gasolina y aceite en un recipiente limpio apto para gasolina.

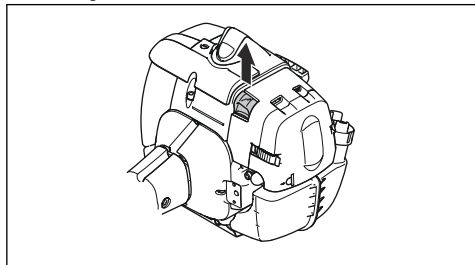
## Para llenar el depósito de combustible

1. Limpie el área alrededor del tapón del depósito de combustible.
2. Agite el recipiente y asegúrese de que el combustible esté totalmente mezclado. Utilice siempre un recipiente de combustible con una válvula de protección antirreboso.
3. Llene el depósito de combustible.
4. Apriete bien la tapa del depósito de combustible cuidadosamente.
5. Aleje el producto 3 m (10 pies) o más del área de recarga de combustible y de la fuente de combustible antes de ponerlo en marcha.



**PRECAUCIÓN:** La contaminación en los depósitos produce un funcionamiento incorrecto. Limpie el depósito de combustible y el depósito de aceite para

- Suba el estrangulador hasta la posición de estrangulamiento.



**ADVERTENCIA:** El equipo de corte comenzará a girar inmediatamente cuando arranque el motor con el estrangulador.

## Para poner en marcha la máquina



**ADVERTENCIA:** Lea las instrucciones de advertencia en el capítulo de seguridad antes de arrancar la máquina (consulte *Seguridad en la página 27*).

- Use guantes protectores.
- Mantenga el cuerpo del producto en el suelo con la mano izquierda.



**PRECAUCIÓN:** ¡No utilice los pies!

- Sujete la empuñadura de la cuerda de arranque con la mano derecha.
- Tire lentamente de la cuerda de arranque con la mano derecha hasta sentir una resistencia (la empuñadura de los ganchos de arranque).



**ADVERTENCIA:** No se enrolle la cuerda de arranque en la mano.

- Tire de la cuerda de forma rápida y con fuerza.



**PRECAUCIÓN:** No tire de la cuerda de arranque en toda su extensión y no suelte la empuñadura de la cuerda cuando esta esté totalmente extendida. Esto puede provocar daños al producto.

- Tire de la cuerda de arranque hasta que el motor arranque o un máximo de 5 veces.
- Restablezca el estrangulador cuando el motor arranque o después de tirar de la cuerda de arranque 5 veces.

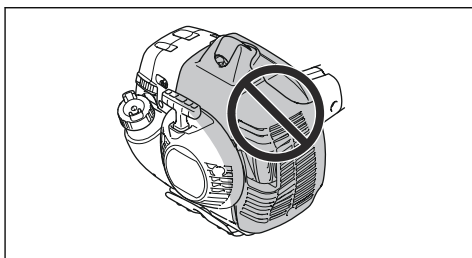
- Si es necesario, tire de la cuerda de arranque nuevamente hasta que arranque el motor.
- Deje que el motor se caliente durante 10 segundos.
- Accione el acelerador gradualmente.
- Asegúrese de que el motor funciona correctamente.

**Nota:** Si el motor se detiene, repita el procedimiento.

## Información sobre la superficie

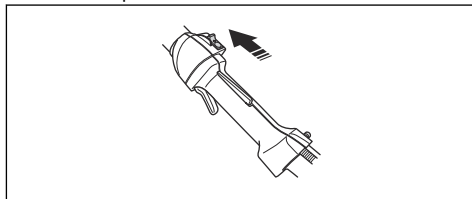


**ADVERTENCIA:** No coloque ninguna parte de su cuerpo en el área marcada. Si toca el área marcada en gris puede sufrir quemaduras en la piel. También puede provocar una sacudida eléctrica si el sombrerete de bujía ha sido dañado. No utilice un producto con un sombrerete de bujía dañado.



## Para detener la máquina

- Mueva el interruptor de detención a la posición de detención para detener el motor.

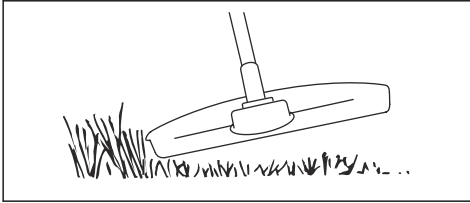


**PRECAUCIÓN:** El interruptor de detención regresa automáticamente a su posición inicial. Con el fin de evitar arranques accidentales, el sombrerete de bujía debe quitarse de la bujía cuando se realicen tareas de montaje, revisión o mantenimiento.

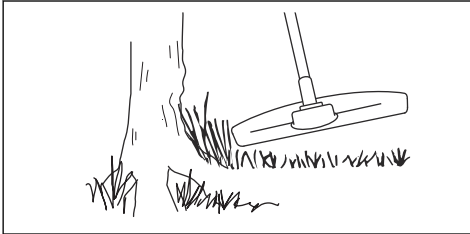
## Recorte de césped con cabezal de corte

### Para recortar el césped

1. Sostenga el cabezal de corte inmediatamente sobre el nivel del suelo en un ángulo. No presione el hilo de la recortadora de césped contra este último.

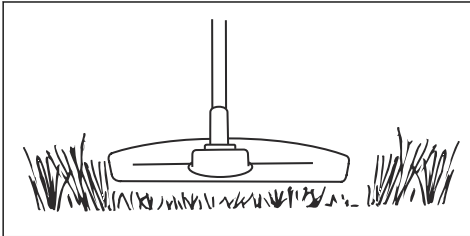


2. Disminuya la longitud del hilo de la recortadora entre 10 y 12 cm/4 y 4,75".
3. Disminuya el régimen del motor para reducir el riesgo de dañar las plantas.
4. Use una aceleración de un 80 % cuando corte el césped cerca de objetos.

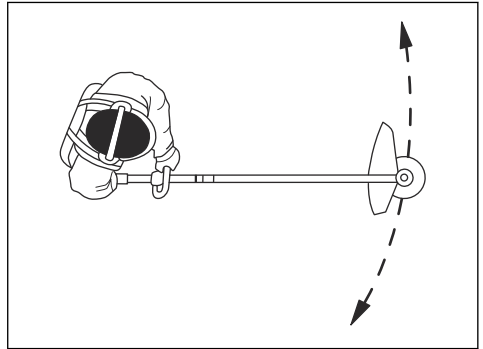


### Para cortar el césped

1. Asegúrese de que el hilo de la recortadora de césped esté paralelo al suelo cuando corte.



2. No presione el cabezal de corte contra el suelo. Esto puede provocar daños al producto.
3. Mueva el producto de un lado a otro cuando corte. Utilice la máxima velocidad.



### Para barrer el césped

El flujo de aire del hilo giratorio de la recortadora puede usarse para eliminar el césped cortado de una zona.

1. Mantenga el cabezal de corte y el hilo de la recortadora paralelos al suelo y por sobre él.
2. Acelere al máximo.
3. Mueva el cabezal de corte de lado a lado y barra la hierba.



**ADVERTENCIA:** Limpie la cubierta del cabezal de corte cada vez que monte el nuevo hilo de la recortadora para evitar desestabilizaciones y vibraciones en los manillares. También realice una comprobación de las demás piezas del cabezal de corte y límpielo si es necesario.

## Mantenimiento

### Para ajustar el régimen de ralentí

La máquina Husqvarna está diseñada y fabricada conforme a especificaciones que reducen las emisiones de gases de escape tóxicos.

- Asegúrese de que el filtro de aire esté limpio y que la cubierta del filtro de aire esté instalada antes de ajustar el régimen de ralentí.

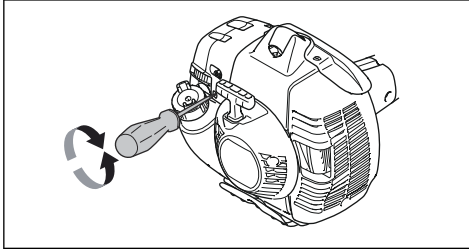
- Ajuste el régimen de ralentí con el tornillo de ajuste de ralentí T, el cual se identifica con la marca "T".



**ADVERTENCIA:** Si el equipo de corte no se detiene cuando ajusta el régimen de ralentí, diríjase a su concesionario más cercano. No utilice la

máquina hasta que esté correctamente ajustada o reparada.

- El régimen de ralentí es el correcto cuando el motor funciona correctamente en todas las posiciones. El régimen de ralentí debe ser inferior a la velocidad cuando el equipo de corte empieza a girar.
1. Gire el tornillo de ajuste de ralentí hacia la derecha hasta que el equipo de corte comience a girar.



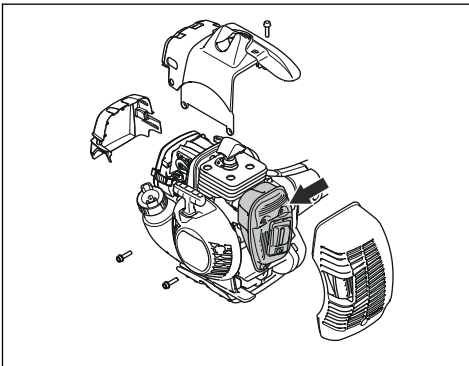
2. Gire el tornillo de ajuste de ralentí hacia la izquierda hasta que el equipo de corte se detenga.

**Nota:** Consulte *Datos técnicos en la página 44* para conocer el régimen de ralentí recomendado.

## Para realizar tareas de mantenimiento en el silenciador



**ADVERTENCIA:** El silenciador está diseñado para reducir el nivel de ruido y para dirigir los gases de escape lejos del operador. Los gases de escape están calientes y pueden contener chispas, lo que puede causar un incendio si se dirigen hacia material seco e inflamable.



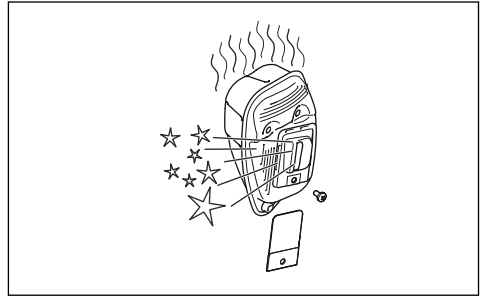
1. Examine si el producto tiene un catalizador. Consulte *Datos técnicos en la página 44*.



**ADVERTENCIA:** Los silenciadores que tienen catalizadores se calientan mucho durante el

funcionamiento y se mantienen calientes durante un tiempo después de detener la máquina. Esto también se aplica al régimen de ralentí. Si toca la máquina, puede quemarse la piel. ¡Piense acerca del riesgo de incendio!

2. Algunos silenciadores tienen una rejilla apagachispas especial. Limpie la rejilla apagachispas con un cepillo de alambre si el producto cuenta con este tipo de silenciador. Limpie la rejilla apagachispas una vez por semana en silenciadores sin catalizador; en silenciadores con catalizador esto debe llevarse a cabo una vez al mes. Reemplace la rejilla apagachispas si está dañada y no utilice una máquina que tenga una rejilla apagachispas dañada.



**PRECAUCIÓN:** Si la rejilla apagachispas se bloquea con frecuencia, puede ser indicio de que el rendimiento del catalizador disminuye. Diríjase a su concesionario de servicio para examinar el silenciador. Una rejilla apagachispas obstruida producirá un sobrecalentamiento y causará daños en el cilindro y el pistón.



**PRECAUCIÓN:** La rejilla apagachispas debe sustituirse si está dañada. No utilice un producto si falta la rejilla apagachispas en el silenciador o si está defectuosa.

## Para realizar tareas de mantenimiento en el cabezal de corte

1. Utilice únicamente el equipo de corte y la protección del equipo de corte recomendados. Consulte *Accesorios en la página 44*.
2. Asegúrese de que la cortadora en la protección del equipo de corte no esté dañada, corta el hilo a la longitud correcta.
3. Instale el hilo según las ilustraciones de las últimas páginas del manual.

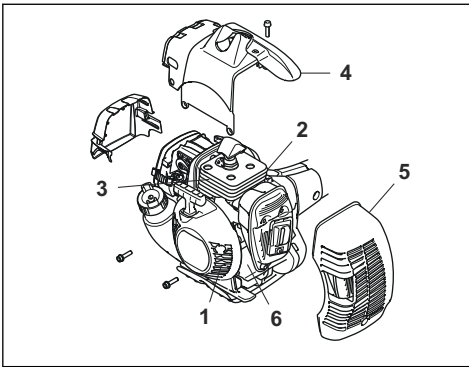
## Sistema refrigerante

El producto cuenta con un sistema refrigerante para mantener la temperatura de funcionamiento lo más baja posible.

Limpie los componentes del sistema refrigerante con un cepillo semanalmente o con mayor frecuencia en condiciones más ásperas. Un sistema refrigerante sucio o bloqueado produce el sobrecalentamiento de la máquina, lo que provoca daños en el pistón y el cilindro.

El sistema refrigerante tiene los siguientes componentes:

1. Toma de aire en el motor de arranque
2. Aletas en el volante
3. Aletas de refrigeración en el cilindro
4. Cubierta del cilindro (dirige el aire frío sobre el cilindro)
5. Cubierta del silenciador
6. Placa del silenciador



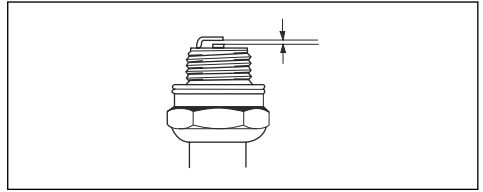
## Para examinar la bujía



**PRECAUCIÓN:** Utilice siempre el tipo de bujía recomendada. El tipo de bujía incorrecto puede causar daños en el producto.

- Examine la bujía si el motor tiene una potencia demasiado baja, no arranca fácilmente o no funciona correctamente al régimen de ralentí.
- Para disminuir el riesgo de material no deseado en los electrodos de la bujía, siga estas instrucciones:
  - a) Asegúrese de que el régimen de ralentí esté ajustado correctamente.
  - b) Asegúrese de que la mezcla de combustible es la correcta.
  - c) Asegúrese de que el filtro de aire esté limpio.

- Si la bujía está sucia, límpiela y asegúrese de que la distancia entre los electrodos sea la correcta, consulte *Datos técnicos en la página 44*.



- Reemplace la bujía si es necesario.

## Filtro de aire

Retire el polvo y la suciedad del filtro de aire para mantenerlo limpio y evitar los siguientes problemas:

- Fallas del carburador
- Problemas cuando se arranca el producto
- Pérdida de energía
- Aumento del desgaste de las piezas del motor
- Demasiado consumo de combustible

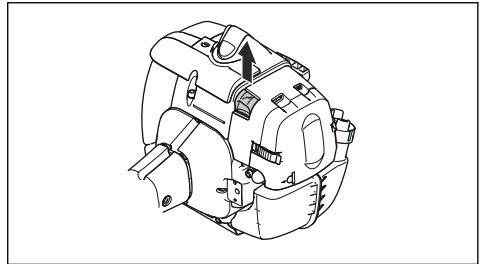
## Para limpiar el filtro de aire



**PRECAUCIÓN:** Un filtro de aire que está dañado, sucio o mojado con combustible siempre debe ser reemplazado.

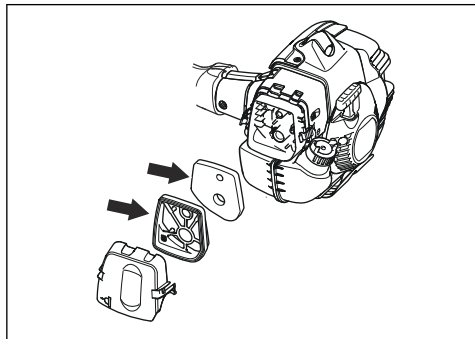
Si utiliza un filtro de aire durante mucho tiempo, no se puede limpiar completamente. Sustituya el filtro de aire por uno nuevo a intervalos regulares.

1. Mueva la palanca del estrangulador hacia arriba, para cerrar la válvula estranguladora.





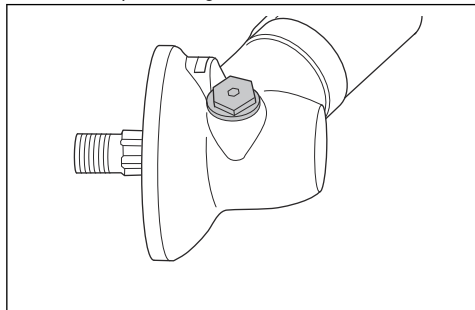
2. Quite la cubierta del filtro de aire y retire el filtro de aire.



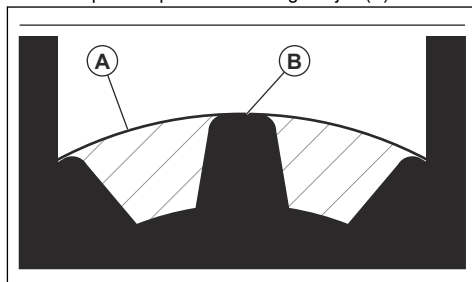
3. Limpie el filtro de aire con agua jabonosa caliente. Asegúrese de que el filtro de aire esté seco antes de instalarlo.
4. Reemplace el filtro de aire si está demasiado sucio para limpiarlo completamente. Siempre reemplace un filtro de aire dañado.
5. También debe limpiar la superficie interior de la cubierta del filtro. Utilice aire o un cepillo.
6. Verifique la superficie sellante de goma. Cambie el filtro de la junta de goma si está dañado.
7. Asegúrese de que el filtro de aire esté seco antes de instalarlo.

## Para lubricar el engranaje angulado

1. Retire el equipo de corte.
2. Coloque el producto con el tapón de engrase en la posición más alta.
3. Quite el tapón de engrase.



4. Mire en el orificio del tapón de engrase y gire el eje propulsor. El nivel de grasa (A) debe estar nivelado con la parte superior de los engranajes (B).



5. Si el nivel de grasa es demasiado bajo, llene el engranaje angulado con la grasa para engranaje angulado Husqvarna. Llène lentamente y gire el eje impulsor mientras aplica la grasa para engranaje angulado, deténgase cuando llegue al nivel correcto (B).

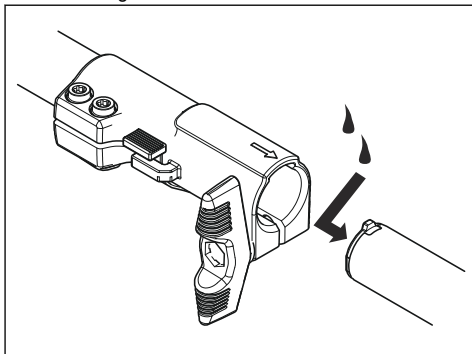


**PRECAUCIÓN:** Una cantidad incorrecta de grasa puede dañar el engranaje angulado.

6. Instale el tapón de engrase.

## Eje de dos piezas

Aplice grasa al extremo del eje propulsor cada 30 horas de funcionamiento. Existe riesgo de que los extremos del eje propulsor (acoplamiento ranurado) de los modelos con ejes de dos piezas se agarroten si no se lubrican regularmente.



## Programa de mantenimiento

La siguiente es una lista de pasos de mantenimiento que se deben realizar en el producto. La mayoría de los puntos se describen en *Mantenimiento en la página 38*

**Nota:** El usuario solo debe llevar a cabo el trabajo de mantenimiento y servicio descrito en este manual de usuario. Un taller de servicio autorizado se debe encargar de realizar una labor más amplia.

Mantenimiento	A diario	Una vez por semana	Una vez al mes
Limpie la superficie externa.	X		
Asegúrese de que el bloqueador del acelerador y el acelerador funcionen correctamente en términos de seguridad.	X		
Verifique el interruptor de detención para asegurarse de que funcione correctamente.	X		
Asegúrese de que el equipo de corte no gire en régimen de ralentí.	X		
Limpie el filtro de aire. Cámbielo si fuera necesario.	X		
Examine la protección del equipo de corte en busca de daños y grietas. Reemplace la protección si se ha golpeado o está agrietada.	X		
Revise el cabezal de corte en busca de daños y grietas. Sustitúyalo si está dañado.	X		
Asegúrese de que las tuercas y los tornillos estén apretados.	X		
Examine el motor, el depósito de combustible y los conductos de combustible para determinar si hay fugas.	X		
Limpie el sistema de refrigeración.		X	
Examine el arranque y la cuerda de arranque en busca de daños.		X	
Examine los aisladores de vibraciones en busca de daños y grietas.		X	
Limpie el lado exterior de la bujía. Retírela y revise la distancia entre los electrodos. Ajuste la distancia a la distancia correcta (consulte <i>Para examinar la bujía en la página 40</i> ) o cambie la bujía. Asegúrese de que la bujía está equipada con un regulador.		X	
Limpie el exterior del carburador y el espacio que lo rodea.		X	
Verifique el engranaje angulado para asegurarse de que está lleno tres cuartos con lubricante. Use grasa especial para llenar si es necesario.		X	
Limpie o cambie la red apagachispas del silenciador (solo se aplica al silenciador sin catalizador).		X	
Verifique si hay contaminación del filtro de combustible y si hay grietas u otros defectos en la manguera de combustible. Cámbielos si fuera necesario.			X
Revise todos los cables y las conexiones.			X
Revise si el embrague, los muelles de embrague y el tambor de embrague presentan desgaste. Reemplácelos si es necesario en un taller de servicio oficial.			X
Reemplace la bujía. Asegúrese de que la bujía está equipada con un regulador.			X
Revise y limpie la red apagachispas del silenciador (solo se aplica al silenciador sin catalizador).			X

---

## Solución de problemas

---

### El motor no arranca

Verificar	Causa posible	Procedimiento
Interruptor de detención	El interruptor de detención está en la posición de detención.	Mueva el interruptor de detención hacia la posición de arranque.
Ganchos de arranque	Los ganchos de arranque no se pueden mover libremente.	Retire la cubierta del arranque y limpie alrededor de los ganchos de arranque.
		Permita que un taller de servicio aprobado lo ayude.
Depósito de combustible	Tipo de combustible incorrecto	Vacíe el depósito de combustible y llénelo con combustible correcto.
Bujía	La bujía está sucia o mojada.	Asegúrese de que la bujía esté limpia y seca.
	La distancia entre los electrodos de la bujía es incorrecta.	Limpie la bujía. Asegúrese de que la distancia entre los electrodos sea la correcta. Asegúrese de que la bujía está equipada con un supresor.
	La bujía está floja.	Consulte los datos técnicos para comprobar la distancia entre los electrodos. Ajuste la bujía.

### El motor arranca, pero se detiene de nuevo.

Verificar	Causa posible	Procedimiento
Depósito de combustible	Tipo de combustible incorrecto	Vacíe el depósito de combustible y rellénelo con el combustible correcto.
Filtro de aire.	El filtro de aire está obstruido.	Limpie el filtro de aire.

---

## Transporte y almacenamiento

---

### Transporte y almacenamiento

- Almacene y transporte el producto y el combustible de manera que no exista riesgo de fugas ni de que los humos entren en contacto con chispas o llamas abiertas, por ejemplo, de máquinas eléctricas, motores eléctricos, relés/conmutadores eléctricos o calderas.
- Cuando almacene y transporte combustible, siempre use los contenedores aprobados para este fin.
- Si se almacena el producto durante largos períodos, se debe vaciar el depósito de combustible. Comuníquese con su estación local de combustible para averiguar dónde puede deshacerse del exceso de combustible. Drene el tanque en los depósitos apropiados y en un área bien ventilada.
- Asegúrese de que el producto esté limpio y de que se realice un mantenimiento completo antes de almacenarlo a largo plazo.

- La protección para transportes siempre debe instalarse en el equipo de corte cuando el producto se transporta o está almacenado.
- Asegure el producto durante el transporte.
- Con el fin de evitar arranques accidentales del motor, el sombrerete de bujía siempre debe quitarse durante un almacenamiento a largo plazo si el producto no será supervisado cuidadosamente y cuando realice todos los trabajos de servicio previstos.
- Deje que el producto se enfríe antes de almacenarlo.

---

## Datos técnicos

---

### Datos técnicos

	<b>535LK</b>
<b>Motor</b>	
Cilindrada, cm <sup>3</sup> /pulg. cúb	34,6/2,1
Diámetro de cilindro, mm/pulg	38/1,5
Carrera, mm/pulg	30,5/1,2
Régimen de ralentí, rpm	2900
Velocidad máxima recomendada, rpm	11700
Velocidad de eje de salida, rpm	8013
Potencia máx. del motor, según la norma ISO 8893, kW/hp a rpm	1,5/2,0 a 8400
Silenciador con catalizador	Sí
Sistema de encendido con velocidad regulada	Sí
<b>Sistema de encendido</b>	
Fabricante/tipo de sistema de encendido	Walbro
Bujía	Champion RCJ 6Y
Distancia entre los electrodos, mm/pulg	0,5/0,02
<b>Combustible y sistema de lubricación</b>	
Fabricante/tipo de carburador	Zama EL36D
Capacidad del depósito de combustible, l/pinta EE. UU.	0,6/1,3
<b>Peso</b>	
Sin combustible, equipo de corte y protección, kg/lb	5,8/12,8

---

## Accesorios

---

### Accesorios

Los accesorios utilizados en combinación con los cabezales especificados han sido sometidos a evaluaciones según los requisitos de seguridad ANSI B175.3-2013 para recortadoras de césped y quita arbustos. Underwriters Laboratories Inc. (UL) realizó las evaluaciones de las combinaciones y tienen sus correspondientes homologaciones.

<b>535LK</b>		
<b>Accesorios aprobados</b>	<b>Tipo</b>	<b>Protección del equipo de corte, art. n.º</b>
Rosca del eje de la hoja M10		
Hojas de plástico	Tricut Ø 255 mm (las hojas independientes tienen la referencia 531 01 77-15)	588 11 79-01
	Tricut Ø 300 mm (las hojas independientes tienen la referencia 531 01 77-15)	588 11 79-01
Cabezal de corte	Superauto II (hilo de Ø 2,4 a 2,7 mm)	588 11 79-01 588 11 79-01
	S35 (hilo de Ø 2,4-3,0 mm)	588 11 79-01 588 11 79-01
	T35, T35x (hilo de Ø 2,4-3,0 mm)	588 11 79-01 588 11 79-01
	Aleación (hilo de Ø 2,0-3,3 mm)	588 11 79-01 588 11 79-01

Se recomienda utilizar los accesorios en combinación con los cabezales especificados, y han sido sometidos a evaluaciones para satisfacer las normas de exigencia de seguridad ISO y EN por el Instituto Sueco de Pruebas de Maquinaria (Swedish Machinery Testing Institute).

<b>Accesorios homologados</b>	<b>Usar con</b>
Limpie el accesorio de barredora SR600-2	535LK
Accesorio de cortasetos HA110	535LK
Accesorio de cortasetos HA850	535LK
Accesorio de cortasetos HA200	535LK
Accesorio de cortasetos HA860	535LK
Accesorio de rebordeadora EA850	535LK
Equipo de la sierra PA1100	535LK
Accesorio de recorte TA850	535LK
Accesorio de extensión EX850	535LK
Accesorio de cultivadora CA230	535LK
Accesorio de soplador BA101	535LK
Accesorio de cepillo de cerdas BR600	535LK

<b>Accesorios homologados</b>	<b>Usar con</b>
Accesorio de escarificador DT600	535LK
Accesorio de podadora de alturas PAX730	535LK
Accesorio de podadora de alturas PAX1100	535LK

---

# Garantía

---

## DECLARACIÓN DE GARANTÍA DEL CONTROL DE EMISIONES DE VAPORES Y DE ESCAPE CONFORME A LA NORMATIVA DE CALIFORNIA, LA NORMATIVA FEDERAL DE LOS ESTADOS UNIDOS Y LA NORMATIVA DE CANADÁ

### DERECHOS Y OBLIGACIONES DE LA GARANTÍA

La Junta de Recursos del Aire de California (CARB, del inglés California Air Resources Board), la Agencia de Protección Medioambiental de EE. UU. (EPA, del inglés Environmental Protection Agency) y el ministerio de Medioambiente y Cambio Climático de Canadá Husqvarna Professional Products, Inc. se complacen en profundizar sobre la garantía del sistema de control de emisiones de vapores y de escape ("emisiones") para 2022-2023 motores pequeños para todoterreno\*. En el estado de California, los nuevos equipos que utilizan motores pequeños para todo terreno se deben diseñar, construir y equipar conforme a las estrictas normas de control de emisiones contaminantes del Estado. Husqvarna Professional Products, Inc. debe proporcionar una garantía para el sistema de control de emisiones del motor pequeño para todoterreno por los periodos que se indican a continuación, siempre que no haya ningún abuso, negligencia ni mantenimiento incorrecto del motor pequeño para todoterreno o del equipo que pueda provocar la falla del sistema de control de emisiones. El sistema de control de emisiones puede incluir piezas como un carburador o un sistema de inyección de combustible, un sistema de encendido, un catalizador, depósitos de combustible, tuberías de combustible (para combustible líquido y vapores de combustible), tapones de combustible, válvulas, depósitos, filtros, abrazaderas y otros componentes asociados. Además, puede incluir mangueras, correas, conectores y otros montajes relacionados con las emisiones. Cuando exista una condición cubierta por la garantía, Husqvarna Professional Products, Inc. reparará el motor de pequeña cilindrada para todo terreno sin costo, incluido el diagnóstico, las piezas y la mano de obra.

### COBERTURA DE LA GARANTÍA DEL FABRICANTE

El sistema de control de emisiones de vapores y de escape del motor pequeño para todoterreno tiene una garantía de dos años. Si alguna de las piezas del motor de pequeña cilindrada para todo terreno relacionada con las emisiones tiene una falla, Husqvarna Professional Products, Inc. reparará o reemplazará la pieza.

### RESPONSABILIDADES DE GARANTÍA DEL PROPIETARIO

- Como propietario del motor pequeño para todoterreno, usted es responsable de la ejecución del mantenimiento necesario que se detalla en el manual del propietario. Husqvarna Professional Products, Inc. recomienda que conserve todos los recibos que cubran el mantenimiento del motor pequeño para todoterreno; sin embargo, Husqvarna Professional Products, Inc. no puede negar la cobertura de la garantía solo por la falta de recibos o porque no pueda garantizar la realización de todo el mantenimiento programado.
- No obstante, como propietario del motor de pequeña cilindrada para todo terreno debe saber que Husqvarna Professional Products, Inc. puede negar la cobertura de la garantía si dicho motor o una de sus piezas falló como resultado del abuso, negligencia o mantenimiento incorrecto, o modificaciones no aprobadas.
- Usted es responsable de llevar el motor pequeño para todoterreno a un taller de servicio autorizado Husqvarna Professional Products, Inc. lo antes posible en cuanto surja un problema. Las reparaciones bajo garantía se deben realizar dentro de un tiempo razonable que no supere los 30 días. Si tiene preguntas acerca de los derechos y las responsabilidades que implica esta garantía, debe comunicarse con Husqvarna Professional Products, Inc. en EE. UU. al 1-800-487-5951, en CANADÁ al 1-800-805-5523 o enviar un correo electrónico a [emissions@husqvarnagroup.com](mailto:emissions@husqvarnagroup.com) o [warranty@hpp-emissions.com](mailto:warranty@hpp-emissions.com).

### FECHA DE INICIO DE LA GARANTÍA

El período de garantía comienza en el momento en que se entrega el motor o equipo al comprador final.

### EXTENSIÓN DE LA COBERTURA

Husqvarna Professional Products, Inc. le garantiza al comprador final y a cualquier comprador posterior que el motor, así como el equipo, se diseñaron, construyeron y equiparon para que cumplan con las normativas pertinentes adoptadas por la CARB y la EPA, y que está libre de defectos en cuanto a materiales y mano de obra que causen la falla de una pieza cubierta por la garantía durante un período de dos años.

### ELEMENTOS CON COBERTURA

REPARACIÓN O REEMPLAZO DE PIEZAS: La reparación o el reemplazo de cualquier pieza defectuosa en garantía se realizará sin cargo para el propietario en un taller de servicio autorizado. El propietario puede elegir el taller de reparación o una persona que realice los servicios de mantenimiento, reemplazo o reparación de los dispositivos y sistemas de control de emisiones, con excepción de las reparaciones y el reemplazo detallados en esta garantía

de control de emisiones. Sin embargo, Husqvarna Professional Products, Inc. recomienda que un taller de servicio autorizado de la marca realice todos los servicios de mantenimiento, reemplazo y reparación de los dispositivos y sistemas de control de emisiones.

**IMPORTANTE:** este producto cumple con la normativa Fase 3 de la EPA (del inglés Environmental Protection Agency, Agencia de Protección Medioambiental) de EE. UU. referente a emisiones de escape y evaporación. Para garantizar el cumplimiento de la EPA Fase 3 de EE. UU. y con las regulaciones de la Junta de Recursos del Aire de California (California Air Resources Board) y del ministerio de Medioambiente y Cambio Climático de Canadá (Environment and Climate Change Canada), recomendamos utilizar únicamente piezas de repuesto originales de la marca del producto. El uso de piezas de repuesto que no cumplan con esta norma es una violación de las leyes federales y estatales.

**PERÍODO DE GARANTÍA:** Cualquier pieza cubierta por la garantía que no esté programada para reemplazo como mantenimiento necesario, o que esté programada solo para una inspección regular al efecto de "reparación o reemplazo según sea necesario", contará con una garantía de 2 años (o la duración establecida en la garantía del producto, lo que sea mayor) desde la fecha de compra del comprador original. Toda pieza que esté programada para su reemplazo como parte del mantenimiento necesario contará con la garantía por el período hasta el primer reemplazo programado de la pieza. Cualquier pieza reparada o sustituida en conformidad con la garantía debe estar garantizada durante el lapso restante del período.

**DIAGNÓSTICO:** No se aplicarán tarifas por los trabajos de diagnóstico que lleven a determinar que una pieza bajo garantía se encuentra de hecho defectuosa, siempre y cuando dicho trabajo de diagnóstico se realice en un taller de servicio autorizado de la marca.

**OTROS DAÑOS:** Husqvarna Professional Products, Inc. reparará los daños a otros componentes del motor causados por la falla de una pieza garantizada que aún se encuentre cubierta por la garantía.

### **LISTADO DE PIEZAS DE EMISIONES CUBIERTAS POR LA GARANTÍA**

1. Carburador y piezas de admisión o sistemas de inyección de combustible.
2. Filtro de aire y filtro de combustible, cubiertos hasta el programa de mantenimiento.
3. Bujía, cubierta hasta el programa de mantenimiento.
4. Módulo de encendido.
5. Silenciadores con catalizadores y colectores de escape.
6. Depósito de combustible, tuberías de combustible (para combustible líquido y vapores del combustible), tapón de combustible, depósito de carbono y válvulas de seguridad o antiderrame, según corresponda\*\*.

7. Controles electrónicos, y válvulas e interruptores susceptibles al tiempo, la temperatura y la succión.
8. Mangueras, conectores y montajes.
9. Todos los otros componentes cuya falla aumentaría las emisiones de vapores y de escape del motor de cualquier contaminante reglamentado, como se establece en la siguiente sección:
  - En el caso del estado de California, consulte el California Code of Regulation (Código de Regulaciones de California) 13 CCR §2405(d) y 2760(d).
  - Para los Estados Unidos y Canadá, consulte el US Federal Code of Regulations (Código de disposiciones federales de los Estados Unidos), 40 C.F.R 1068, Anexo I (III).

### **ELEMENTOS SIN COBERTURA**

Las fallas causadas por abuso, negligencia, modificaciones no aprobadas, mal uso o mantenimiento incorrecto no están cubiertas por la garantía.

**AÑADIDURAS O PIEZAS MODIFICADAS:** No pueden utilizarse las añadiduras o piezas modificadas no exentas por la CARB o la EPA. La utilización de añadiduras o de piezas modificadas no exentas podrá servir de fundamento para anular una reclamación de garantía. Husqvarna Professional Products, Inc. no será responsable de las fallas de garantía de las piezas garantizadas provocadas por el uso de complementos o piezas modificadas no exentas.

### **CÓMO PRESENTAR UNA RECLAMACIÓN**

Si tiene preguntas relacionadas con sus derechos y responsabilidades de la garantía, deberá comunicarse con su concesionario de servicio autorizado más cercano o llamar a Husqvarna Professional Products, Inc. en EE. UU. al 1-800-487-5951, en CANADÁ al 1-800-805-5523 o enviar un correo electrónico a [emissions@husqvarnagroup.com](mailto:emissions@husqvarnagroup.com) o [warranty@hpp-emissions.com](mailto:warranty@hpp-emissions.com).

### **DÓNDE OBTENER SERVICIOS DE LA GARANTÍA**

Las reparaciones o los servicios de la garantía se brindan a través de todos los talleres de servicio autorizados de Husqvarna Professional Products, Inc.. Si el taller de servicio autorizado más cercano se encuentra a más de 100 millas de su ubicación, Husqvarna Professional Products, Inc. se encargará de organizar y pagar los costos de envío al taller de servicio autorizado de la marca, y desde este, o dispondrá un servicio de garantía en conformidad con las normativas correspondientes.

### **MANTENIMIENTO, REEMPLAZO Y REPARACIÓN DE PIEZAS RELACIONADAS CON EL CONTROL DE EMISIONES**

Cualquier pieza para sustituir una defectuosa puede utilizarse en cualquier mantenimiento o reparación bajo garantía y deben proporcionarse al propietario sin cargo. Dicho uso no reducirá las obligaciones de la garantía por parte del fabricante.



## **DECLARACIÓN DE MANTENIMIENTO**

El propietario es responsable de la realización de todo el mantenimiento requerido, según se establece en el manual de usuario.

\* El año del modelo actual y subsiguiente se actualizará anualmente en la declaración de garantía proporcionada al consumidor. Por ejemplo, en el año del modelo 2012, se especificará 2012-2013.

\*\* Piezas de emisiones evaporativas.

## Table des matières

Introduction.....	50	Dépannage.....	68
Sécurité.....	52	Transport et entreposage.....	69
Montage.....	58	Caractéristiques techniques.....	70
Fonctionnement.....	60	Accessoires.....	70
Entretien.....	64	Garantie.....	73

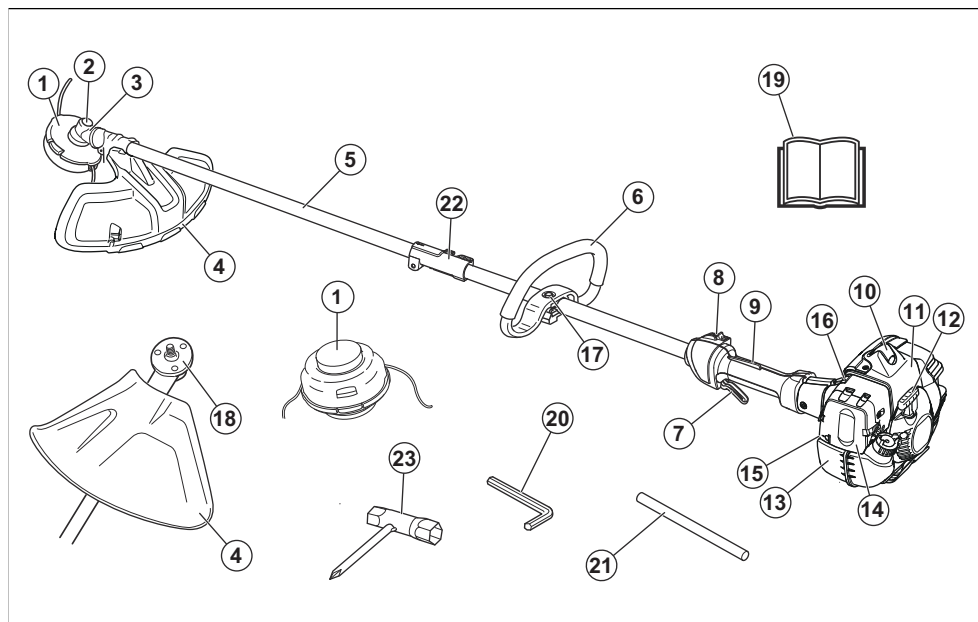
## Introduction

### Utilisation prévue

Le produit est utilisé avec une tête de coupe pour couper l'herbe. Ne pas utiliser le produit pour des tâches autres que la coupe d'herbe.

**Remarque :** Les réglementations nationales peuvent limiter l'utilisation du produit.

### Présentation de l'appareil



1. Tête de coupe
2. Bouchon de remplissage de graisse
3. Pignon conique
4. Protection de l'outil de coupe
5. Arbre
6. Poignée de boucle
7. Commande des gaz
8. Interrupteur d'arrêt
9. Dispositif de verrouillage de la gâchette de l'accélérateur
10. Capuchon de bougie et bougie d'allumage

11. Couverture de vérin
12. Corde du lanceur
13. Réservoir de carburant
14. Couverture du filtre à air
15. Pompe de purge d'air
16. Commande de l'étrangleur
17. Ajustement du guidon
18. Disque d'entraînement
19. Manuel d'utilisation
20. Clé hexagonale
21. Goupille de blocage

- 22. Raccord de l'arbre
- 23. Clé à usages multiples

## Symboles figurant sur la machine



Faire attention et utiliser le produit correctement. Cet outil peut causer des blessures graves, ou même mortelles, à l'utilisateur et à d'autres personnes.



Lire soigneusement le manuel d'instructions et veiller à bien comprendre les directives avant d'utiliser cette machine.



Utiliser un casque de protection dans les endroits où des objets peuvent tomber sur vous. Utiliser un dispositif de protection homologué pour les oreilles. Utiliser un dispositif de protection homologué pour les yeux.



Utiliser des gants de protection homologués.



Utiliser des bottes antidérapantes robustes.



L'outil peut engendrer des projections d'objets, ce qui peut causer des blessures.



Vitesse de rotation maximale de l'arbre de sortie.



Tenir les personnes et les animaux à une distance minimale de 15 m pendant l'utilisation du produit.



Utiliser seulement du fil de coupe flexible. N'utilisez pas d'équipement de coupe de métaux pour la tonte de l'herbe.



Les flèches indiquent la limite de position du guidon.



Pompe de purge d'air.



Volet de départ.



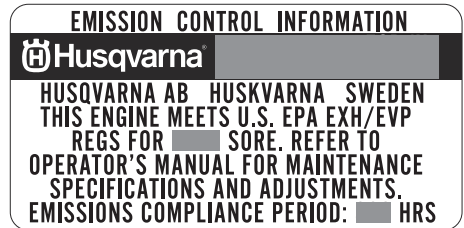
Carburant.

yyyywwxxxx

La plaque signalétique indique le numéro de série. **yyyy** représente l'année de production, **ww** indique la semaine de production.

**Remarque :** Les autres symboles et autocollants apposés sur le produit se rapportent aux exigences en matière de certification pour certains marchés.

## EPA III



La période de conformité aux normes d'émissions indiquée sur les étiquettes de conformité aux normes d'émissions se rapporte au nombre d'heures de fonctionnement du moteur qui répond aux exigences fédérales en matière d'émissions. N'importe quel établissement ou agent de réparation de moteur non routier peut effectuer l'entretien, le remplacement et la réparation des dispositifs et du système de contrôle des émissions.

## ABRÉVIATIONS SUR LES ÉTIQUETTES DU SYSTÈME DE CONTRÔLE DES ÉMISSIONS

### Généralités

CAL	Californie	EVAP	Évaporation	REGS	Règlements
-----	------------	------	-------------	------	------------

## ABRÉVIATIONS SUR LES ÉTIQUETTES DU SYSTÈME DE CONTRÔLE DES ÉMISSIONS

### Généralités

DISPL	Cylindrée	EXH/EVP	Échappement et évaporation	SORE	Petits moteurs hors route
ECS	Système de contrôle des émissions	HRS	Heures	US EPA	Office de protection de l'environnement des États-Unis

### Systèmes de contrôle des émissions d'échappement

ECM	Module de commande du moteur (Autotune)	OC	Catalyseur oxydant		
EM	Modification du moteur	TWC	Catalyseur trifonctionnel		

### Systèmes de contrôle des émissions par évaporation

C	Coextrudé (multicouche)	P	Polyéthylène ou polyéthylène haute densité traité		
N	Nylon	S	Fermé hermétiquement		

## Proposition 65 de la Californie

### **WARNING!**

The engine exhaust from this product contains chemicals known to the State of California to cause cancer, birth defects or other reproductive harm.

## Sécurité

### Définitions relatives à la sécurité

Les avertissements, recommandations et remarques soulignent des points du manuel qui revêtent une importance particulière.



**AVERTISSEMENT :** Indique la présence d'un risque de blessure ou de décès de l'utilisateur ou de personnes à proximité si les instructions du manuel ne sont pas suivies.



**MISE EN GARDE :** Indique la présence d'un risque de dommages au produit, à d'autres appareils ou à la zone adjacente si les instructions du manuel ne sont pas suivies.

**Remarque :** Utilisé pour donner des renseignements plus détaillés qui sont nécessaires dans une situation donnée.

### Consignes générales de sécurité



**AVERTISSEMENT :** Lire les messages d'avertissement qui suivent avant d'utiliser l'outil.

- Une scie d'éclaircissement, un coupe-herbes ou un taille-haie peuvent être dangereux s'ils sont utilisés avec négligence ou de manière incorrecte et peuvent entraîner des blessures graves ou mortelles pour l'opérateur ou d'autres personnes. Il est extrêmement important de lire et de comprendre le contenu de ce manuel de l'opérateur.

- La conception du produit ne peut en aucun cas être modifiée sans l'autorisation du fabricant. Ne jamais utiliser un produit qui a été modifié de quelque manière que ce soit par rapport aux spécifications d'origine et toujours utiliser des accessoires d'origine. Les modifications et/ou les accessoires non autorisés peuvent entraîner des blessures graves ou la mort de l'opérateur ou d'autres personnes.
- L'intérieur du silencieux contient des produits chimiques pouvant être cancérigènes. Éviter tout contact avec ces éléments si le silencieux est endommagé.
- Ce produit produit un champ électromagnétique pendant le fonctionnement. Ce champ magnétique peut, dans certains cas, nuire aux implants médicaux actifs ou passifs. Pour réduire le risque de blessures graves ou mortelles, nous recommandons aux personnes ayant des implants médicaux de consulter leur médecin et le fabricant de l'implant médical avant d'utiliser le produit.
- Les seuls accessoires qui peuvent être utilisés avec cette unité à moteur sont les outils de coupe recommandés. Se reporter à *Accessoires à la page 70*.
- Ne jamais laisser des enfants utiliser le produit ou se tenir à proximité de celui-ci. Puisque le produit est équipé d'un interrupteur de marche-arrêt à ressort et peut être démarré à bas régime ou en exerçant une légère force sur la poignée du lanceur, même des jeunes enfants dans certaines circonstances peuvent produire la force nécessaire pour démarrer le produit. Cela peut entraîner un risque de blessure grave. Par conséquent, retirer le capuchon de bougie d'allumage lorsque le produit n'est pas sous une surveillance stricte.
- L'utilisation d'un moteur dans un endroit clos ou mal ventilé peut entraîner la mort par asphyxie ou l'intoxication au monoxyde de carbone.
- L'ensemble couvercle d'embrayage et arbre au complet doit être monté avant le démarrage du produit, sinon, l'embrayage peut se défaire et provoquer des blessures.

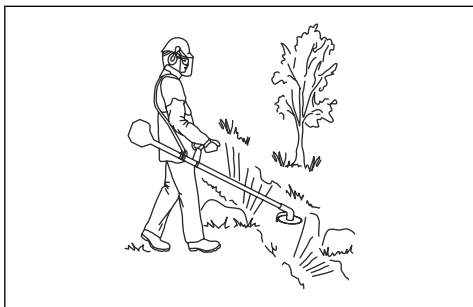
## Consignes de sécurité pour l'utilisation



**AVERTISSEMENT** : Lire les messages d'avertissement qui suivent avant d'utiliser l'appareil.

- Il est essentiel de comprendre la différence entre le débroussaillage et le désherbage avant d'utiliser l'outil.
- Il est recommandé de consulter un expert en cas de doute. Communiquer avec votre concessionnaire ou votre atelier d'entretien. Éviter toutes les utilisations qui vous semblent difficiles.
- Ne jamais utiliser un appareil défectueux. Effectuer les vérifications de sécurité, les réparations et l'entretien conformément aux instructions fournies dans ce manuel. Certaines réparations et tâches d'entretien doivent être effectuées par des spécialistes formés et qualifiés. Se reporter à *Entretien à la page 64*.
- Tous les couvercles, toutes les protections et toutes les poignées doivent être montés avant de démarrer le produit. S'assurer que le capuchon de la bougie d'allumage et le fil d'allumage ne sont pas endommagés, afin d'éviter le risque de décharge électrique.
- Ne jamais utiliser le produit sous l'effet de la fatigue, sous l'influence de l'alcool, de drogues, de médicaments ou de toute substance qui pourrait affecter la vision, l'attention, la coordination des gestes ou le jugement.
- Ne pas utiliser le produit par mauvais temps, y compris dans un brouillard épais, sous une pluie diluvienne, dans des endroits fortement venteux et en cas de froid intense, etc. Travailler par mauvais temps est éprouvant et ajoute des risques comme un sol glissant et la difficulté de prévoir le sens de chute, etc.
- S'assurer qu'aucune personne ni aucun animal ne s'approche à moins de 15 m pendant le travail. Lorsque plusieurs opérateurs travaillent dans la même zone, la distance de sécurité doit être d'au moins quinze mètres. Le non-respect de cette directive peut entraîner de graves blessures. Arrêter l'appareil immédiatement si une personne s'approche. Ne jamais entamer un mouvement de balancement avec l'appareil sans d'abord jeter un coup d'œil derrière pour s'assurer que personne ne se trouve dans la zone de sécurité.
- S'assurer qu'aucune personne ni aucun animal ou objet ne gêne le contrôle de l'appareil ou n'entre en contact avec l'outil de coupe ou des objets projetés par l'outil de coupe. Ne pas utiliser l'appareil s'il est impossible d'appeler de l'aide en cas d'accident.
- Toujours inspecter l'aire de travail. Retirer tous les objets mobiles tels que les pierres, le verre cassé, les clous, les fils de fer, les cordes, etc. qui pourraient être projetés ou s'enrouler autour de l'outil de coupe.
- S'assurer qu'il est possible de se déplacer et de se tenir debout en toute sécurité. Repérer les obstacles éventuels (racines, roches, branches, fossés, etc.)

en cas de déplacement imprévu. Faire très attention lors du travail sur une pente.



- Se tenir bien campé et en parfait équilibre. Ne pas trop se pencher vers l'avant.
- Toujours tenir l'appareil des deux mains. Tenir l'appareil sur le côté droit du corps.
- Tenir l'outil de coupe sous la taille de l'utilisateur.
- Couper le moteur avant de passer à une autre zone. Mettre en place le fourreau de transport avant de porter ou de transporter l'équipement sur n'importe quelle distance.
- Ne jamais déposer l'outil quand le moteur marche à moins de l'avoir sous les yeux.
- Arrêter le moteur et l'outil de coupe avant de retirer l'herbe enroulée autour de l'axe de lame. L'utilisateur du produit ni qui que ce soit ne doit essayer de retirer l'herbe coupée tant que le moteur est en marche ou que l'équipement de coupe tourne, sous peine de blessures graves. Le pignon conique peut être très chaud en cours d'utilisation et rester chaud pendant un certain temps après l'utilisation. Vous pourriez être brûlé si vous le touchez.
- Faire preuve de prudence à l'égard des projections d'objets. Toujours porter des lunettes de protection homologuées. Ne jamais se pencher au-dessus du dispositif de protection de l'outil de coupe. Des pierres, des débris, etc. peuvent être projetés dans vos yeux, ce qui peut causer la cécité ou des blessures graves.
- Parfois, des branches ou de l'herbe se coincent entre le dispositif de protection et l'outil de coupe. Toujours arrêter le moteur avant de nettoyer l'outil.
- Ramener le moteur au régime de ralenti après chaque étape de travail. De longues périodes à plein régime sans placer le moteur sous charge peuvent causer de graves dommages au moteur.
- Rester attentif aux appels ou cris d'avertissement lors de l'utilisation des protecteurs d'oreilles. Toujours enlever les protecteurs d'oreilles dès que le moteur s'arrête.
- La surexposition aux vibrations peut engendrer des problèmes circulatoires ou des troubles nerveux, en particulier chez les personnes ayant des troubles circulatoires. En cas de symptômes liés à une surexposition aux vibrations, consulter un médecin. Ces symptômes sont

les suivants : engourdissement, perte de sensibilité, fourmillement, picotement, douleur, faiblesse musculaire, décoloration ou modification de l'épiderme. Ces symptômes apparaissent normalement aux doigts, aux mains et aux poignets.

- Ne pas utiliser un produit avec un capuchon de bougie d'allumage endommagé.
- Ne pas utiliser un produit dont le silencieux est défectueux.
- Tenir toute partie du corps à l'écart de l'outil de coupe en rotation et des surfaces chaudes.
- Ne jamais utiliser un produit dont le silencieux est défectueux.
- Ne jamais démarrer ou utiliser le produit à l'intérieur, à proximité de matériaux combustibles ou dans des espaces qui ne disposent pas d'une ventilation adéquate. Les gaz d'échappement du moteur contiennent du monoxyde de carbone, un gaz inodore, toxique et très dangereux. De plus, les gaz d'échappement sont très chauds et peuvent contenir des étincelles qui peuvent causer un incendie.

## Équipement de protection personnelle



**AVERTISSEMENT** : Lire les messages d'avertissement qui suivent avant d'utiliser l'appareil.

- Toujours utiliser un équipement de protection personnelle homologué lors de l'utilisation de l'appareil. Cet équipement de protection personnelle n'élimine pas complètement les risques de blessures, mais il peut en réduire la gravité en cas d'accident. Laisser votre concessionnaire vous aider à choisir le bon équipement.
- Utiliser un casque si des arbres ont une hauteur de plus de 2 m (6,5 pi) dans la zone de travail.
- Porter un dispositif de protection homologué pour les oreilles.
- Utiliser toujours des lunettes de protection approuvées conformes à la norme ANSI Z87.1 aux États-Unis ou EN 166 dans les pays de l'UE. Utiliser une visière pour protéger le visage. La visière n'est pas suffisante pour protéger les yeux.



- Utiliser des gants au besoin, par exemple lors de la fixation, de l'examen ou du nettoyage de l'outil de coupe.
- Utiliser des bottes de protection à embout en acier et semelles antidérapantes.
- Utiliser des vêtements faits de tissus résistants. Toujours utiliser des pantalons longs et lourds et des manches longues. Ne pas porter des vêtements

amples qui peuvent se prendre dans les broussailles et les branches. Ne pas porter de bijoux, de pantalons courts ni de sandales. Ne pas travailler pieds nus. Garder les cheveux au-dessus des épaules.



- Maintenir l'équipement de premiers secours à proximité.



### Dispositifs de sécurité sur l'outil



**AVERTISSEMENT** : Lire les messages d'avertissement qui suivent avant d'utiliser l'outil.

Cette section décrit l'équipement de sécurité du produit, son but et la façon d'en effectuer les inspections et l'entretien afin de s'assurer qu'il fonctionne correctement. Voir les instructions à la section *Présentation de l'appareil à la page 50* pour savoir où se trouvent ces pièces sur votre produit.

La durée de vie du produit peut être réduite et le risque d'accident peut augmenter si l'entretien de la machine n'est pas effectué correctement et si l'entretien ou les réparations ne sont pas effectués de façon professionnelle. Pour obtenir de plus amples informations, communiquer avec le concessionnaire le plus proche.



**AVERTISSEMENT** : Ne jamais utiliser un produit dont les composants de sécurité sont défectueux. L'équipement de sécurité du produit doit être inspecté et entretenu selon les directives de la présente section. Si une inspection de la machine détecte une panne, communiquez avec un atelier spécialisé pour réparation.



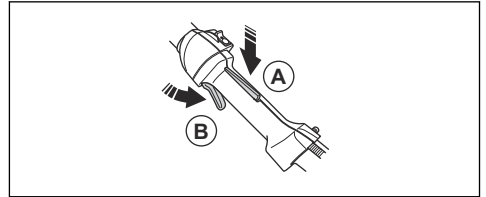
**MISE EN GARDE** : Tous les travaux de réparation nécessitent une formation spéciale. Ceci concerne particulièrement l'équipement de sécurité de la machine. Si les contrôles suivants ne donnent pas un résultat positif, vous devez communiquer avec un atelier spécialisé. L'achat de l'un de nos produits offre à l'acheteur la garantie d'un service et de réparations qualifiés. Si le détaillant qui vous

a vendu la machine n'est pas un centre de service agréé, demandez-lui l'adresse de l'atelier spécialisé le plus proche.

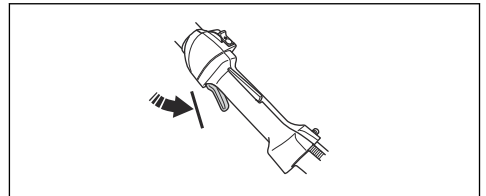
### Pour vérifier le verrouillage de la gâchette de l'accélérateur

Le verrouillage de la commande d'accélération est conçu pour éviter le fonctionnement accidentel de la commande des gaz.

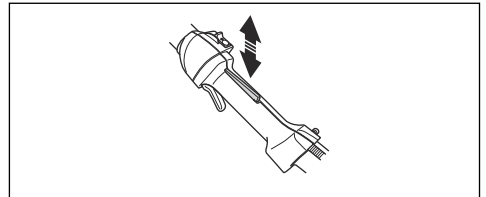
1. Appuyer sur le dispositif de verrouillage de la gâchette de l'accélérateur (A) et s'assurer que la commande d'accélération est relâchée (B). Une fois la poignée relâchée, la commande d'accélération et le dispositif de verrouillage de la gâchette de l'accélérateur retournent à leurs positions initiales. Ce mouvement est commandé par deux ressorts de rappel indépendants. Cet arrangement signifie que la commande d'accélération est verrouillée automatiquement au réglage du ralenti.



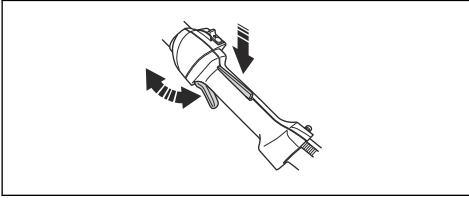
2. S'assurer que la commande d'accélération est verrouillée au réglage du ralenti lorsque le dispositif de verrouillage de la gâchette de l'accélérateur est relâché.



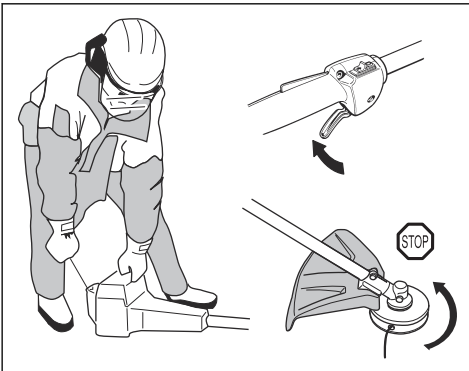
3. Appuyer sur le dispositif de verrouillage de la gâchette de l'accélérateur et s'assurer qu'il retourne à sa position initiale une fois relâché.



4. S'assurer que la commande d'accélération et le dispositif de verrouillage de la gâchette de l'accélérateur se déplacent librement et que les ressorts de rappel fonctionnent correctement.

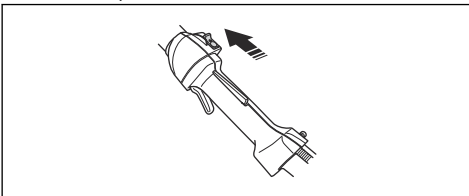


5. Démarrer le produit (voir les instructions à la section *Pour préparer le produit à des fins de démarrage à la page 62*) et faire tourner le moteur à plein régime.
6. Relâcher l'accélérateur et s'assurer que l'outil de coupe s'arrête et reste immobile. Si l'outil de coupe tourne alors que l'accélérateur est en position de ralenti, vérifier le réglage du ralenti du carburateur. Consulter les instructions décrites dans le chapitre *Entretien à la page 64*.



#### Pour vérifier l'interrupteur d'arrêt

1. Démarrer le moteur.
2. Déplacer l'interrupteur d'arrêt en position d'arrêt et s'assurer que le moteur s'arrête.



#### Vérification du dispositif de protection de l'outil de coupe



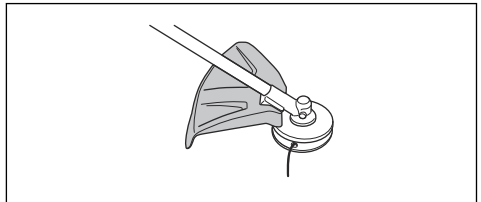
**AVERTISSEMENT :** Ne pas utiliser un outil de coupe dépourvu du dispositif de protection homologué correctement fixé. Se

reporter à la section *Accessoires à la page 70*.



**AVERTISSEMENT :** Toujours utiliser le dispositif de protection de l'outil de coupe recommandé pour l'outil de coupe utilisé. L'utilisation d'un dispositif de protection de l'outil de coupe défectueux ou inapproprié peut causer des blessures graves. Se reporter à la section *Caractéristiques techniques à la page 70*.

Le dispositif de protection de l'outil de coupe permet d'éviter des blessures provoquées par des objets projetés en direction de l'opérateur. Il empêche également de subir des blessures en cas de contact avec l'outil de coupe.

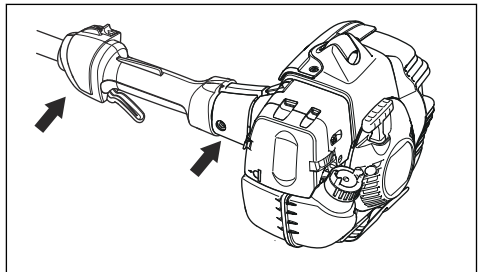


1. Effectuer une inspection visuelle pour détecter d'éventuels dommages, par exemple des fissures.
2. Remplacer le dispositif de protection de l'unité de coupe s'il est endommagé.

#### Pour vérifier le système antivibrations

**Remarque :** L'utilisation d'un fil mal enroulé ou d'un outil de coupe inadéquat augmente le niveau de vibrations. Voir les instructions à la section *Accessoires à la page 70*.

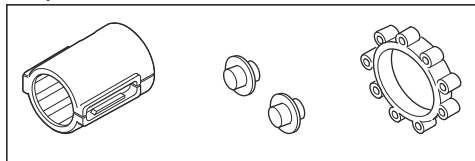
Le système antivibrations réduit au minimum les vibrations des guidons, ce qui facilite l'utilisation de l'outil. Le système antivibrations du produit réduit le transfert des vibrations entre l'unité à moteur et l'unité à arbre du produit.



1. Couper le moteur.



- Effectuer une inspection visuelle pour détecter les déformations et les dommages éventuels, par exemple les fissures.
- S'assurer de fixer correctement les éléments du système antivibrations.



#### Pour vérifier le silencieux



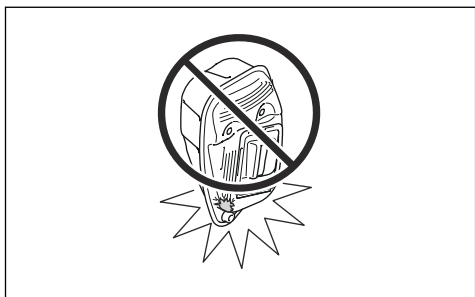
**AVERTISSEMENT** : Ne pas oublier que les gaz d'échappement du moteur sont chauds et peuvent contenir des étincelles qui peuvent causer un incendie. Ne jamais démarrer l'appareil à l'intérieur ou à proximité de matériaux combustibles!



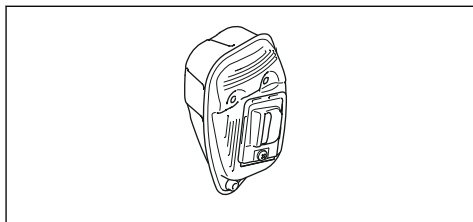
**AVERTISSEMENT** : Ne jamais utiliser la machine à l'intérieur ou sur des endroits n'ayant pas une ventilation convenable. Les gaz d'échappement contiennent du monoxyde de carbone, un gaz inodore, toxique et très dangereux.



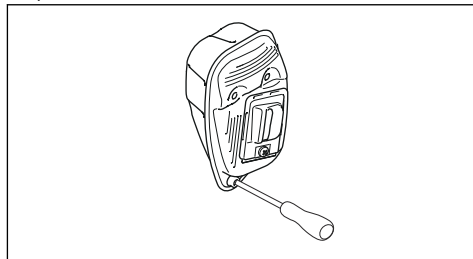
**AVERTISSEMENT** : Ne jamais utiliser un produit dont le silencieux est défectueux.



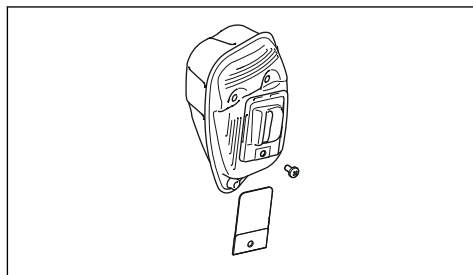
Le silencieux maintient le niveau de bruit au minimum et dirige les gaz d'échappement loin de l'utilisateur. En ce qui concerne les silencieux, il est très important de suivre les instructions sur la manière de vérifier, d'entretenir et de réparer votre produit.



- Effectuer une inspection visuelle pour détecter d'éventuels dommages ou déformation.
- S'assurer que le silencieux est bien fixé sur le produit.



- Si le silencieux de votre produit est doté d'un écran pare-étincelles, effectuer une inspection visuelle. Si l'écran pare-étincelles est endommagé, le remplacer.
  - Si l'écran pare-étincelles est bloqué, le nettoyer. Une maille bouchée fait surchauffer le moteur, ce qui pourrait causer de graves dommages.
  - S'assurer que la maille pare-étincelles est fixée correctement.



#### Sécurité – carburant



**AVERTISSEMENT** : Lire les messages d'avertissement qui suivent avant d'utiliser l'outil.

- Ne jamais démarrer le produit si du carburant se déverse sur celui-ci. Essuyer tout déversement et laisser le carburant s'évaporer.
- Ne jamais démarrer le produit si du carburant se déverse sur vous ou sur vos vêtements. changer de vêtements et laver toute partie de votre corps qui est

entrée en contact avec le carburant. Utiliser de l'eau et du savon.

- Ne jamais démarrer le produit s'il présente une fuite de carburant. Vérifier régulièrement l'étanchéité du bouchon du réservoir et des conduites de carburant.
- Toujours placer le produit sur une surface plane et s'assurer que l'outil de coupe ne puisse pas entrer en contact avec un objet quelconque lors de l'ajout de carburant.
- Faire attention lors de la manipulation du carburant. Ne pas oublier le risque d'incendie, d'explosion et d'inhalation des émanations.
- Faire preuve de prudence lors de la manipulation du carburant et s'assurer que la ventilation est adéquate. Les vapeurs de carburant et de combustible sont hautement inflammables et peuvent causer des blessures graves en cas d'inhalation ou de contact avec la peau.
- Mélanger et verser le carburant à l'extérieur, dans un endroit exempt d'étincelles ou de flammes.
- Ne jamais fumer ni placer des objets chauds à proximité du carburant.
- Toujours éteindre le moteur et le laisser refroidir pendant quelques minutes avant de faire le plein.
- Ouvrir le bouchon du réservoir de carburant lentement pour relâcher doucement la pression lors du remplissage.
- Serrer le bouchon du réservoir avec précaution après l'appoint de carburant.
- Nettoyer la zone autour du bouchon. La présence d'impuretés dans le réservoir peut engendrer des problèmes de fonctionnement.

- Toujours éloigner le produit de 3 m (10 pi) ou plus, de la zone et de la source de remplissage avant de démarrer.

## Consignes de sécurité pour la maintenance



**AVERTISSEMENT :** Toujours arrêter le moteur avant d'effectuer toute intervention sur l'outil de coupe. L'outil de coupe continue de tourner, même après que l'accélérateur soit relâché. S'assurer que l'outil de coupe est complètement arrêté et débrancher la bougie d'allumage avant de commencer à travailler dessus.



**AVERTISSEMENT :** Un outil de coupe inadéquat peut augmenter le risque d'accidents.



**AVERTISSEMENT :** S'assurer que le fil coupe-herbe est enroulé fermement et uniformément autour du tambour; autrement, le produit génère des vibrations dangereuses pour la santé.

- Utiliser les outils de coupe avec les protections recommandées uniquement. Se reporter à la section *Accessoires à la page 70*.

## Montage

### Introduction



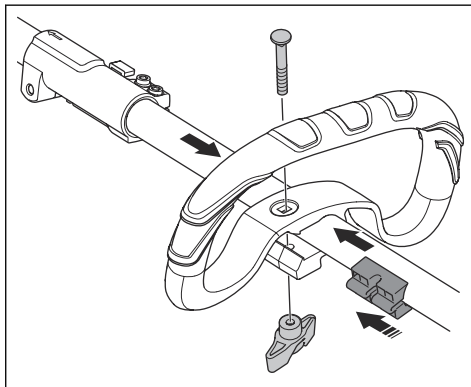
**AVERTISSEMENT :** Avant d'assembler le produit, lire et bien comprendre le chapitre sur la sécurité.



**AVERTISSEMENT :** Débrancher le câble de la bougie d'allumage de la bougie d'allumage avant d'assembler le produit.

### Montage du guidon en boucle

1. Fixer le guidon en boucle sur l'arbre entre les flèches.

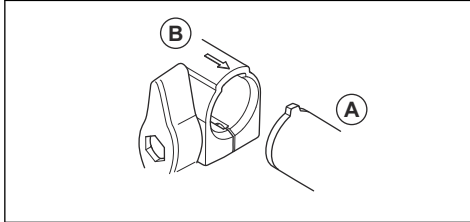


2. Déplacer l'entretoise dans la fente du guidon en boucle.

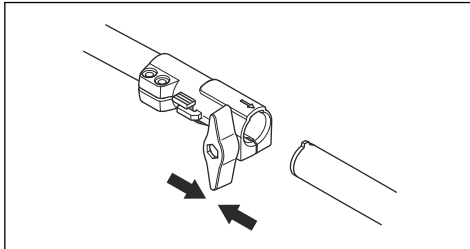
3. Installer l'écrou, le bouton et le boulon. Ne pas serrer complètement le boulon.
4. Régler le produit dans une position adéquate.
5. Serrer le boulon.

### Pour assembler l'arbre en deux pièces

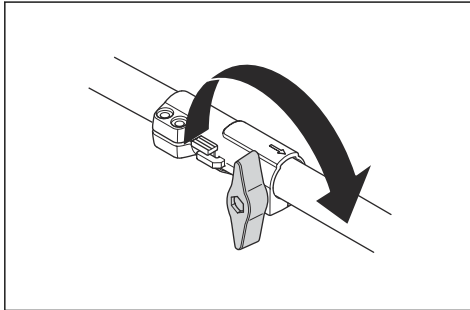
1. Tourner le bouton pour desserrer le raccord.
2. Aligner la languette de l'équipement de coupe (A) avec la flèche figurant sur le raccord (B).



3. Pousser avec précaution l'arbre dans le raccord jusqu'à ce que vous entendiez un déclic.

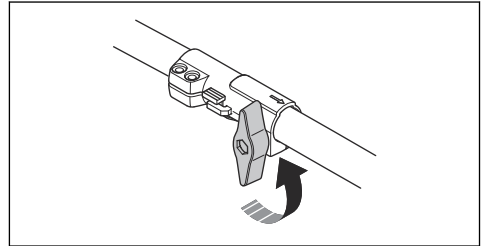


4. Serrer le bouton à fond.

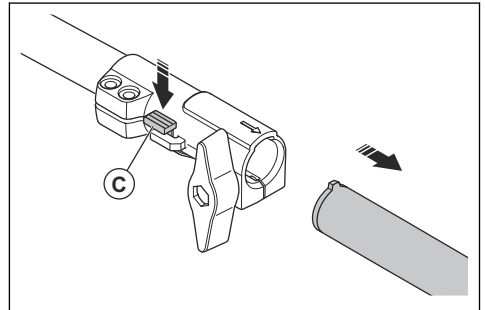


### Pour démonter l'arbre en deux pièces

1. Tourner le bouton de 3 tours ou plus pour desserrer le raccord.

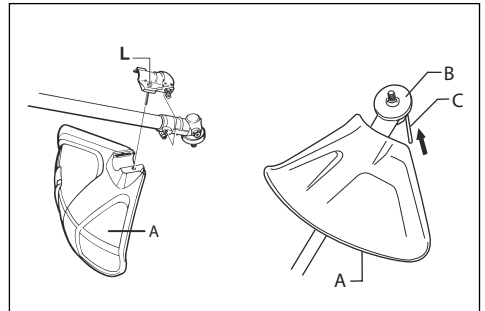


2. Appuyer longuement sur le bouton (C).
3. Tenir fermement à l'extrémité de l'arbre rattachée au moteur.
4. Tirer l'outil bien droit pour l'extraire du raccord.



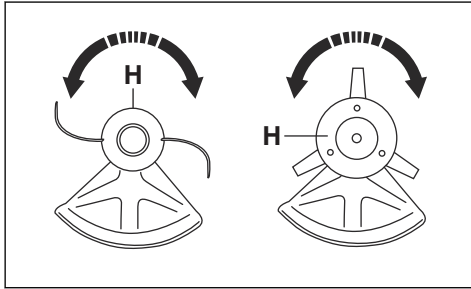
### Pour monter le dispositif de protection de l'outil de coupe et la tête de coupe

1. Fixer le dispositif approprié de protection de l'équipement de coupe (A) pour la tête de désherbage. Se reporter à la section *Accessoires à la page 70*.
2. Placer le dispositif de protection de l'outil de coupe sur le support de l'arbre.
3. Fixer à l'aide du boulon (L).

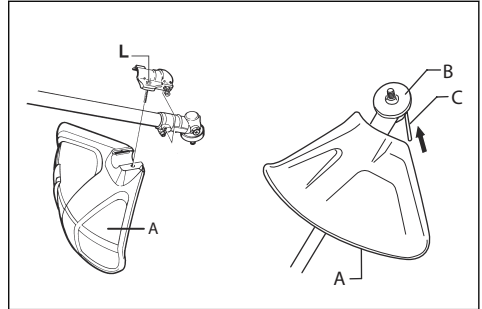


4. Installer le disque d'entraînement (B) sur l'arbre de sortie.

5. Tourner l'arbre de sortie jusqu'à ce que l'un des trous dans le disque d'entraînement s'aligne avec le trou correspondant dans le carter d'engrenage.
6. Placer la goupille d'arrêt (C) dans le trou pour bloquer l'arbre.
7. Tourner la tête de coupe et les couteaux en plastique (H) dans le sens opposé à la rotation de la tête de coupe et des couteaux en plastique tournent.



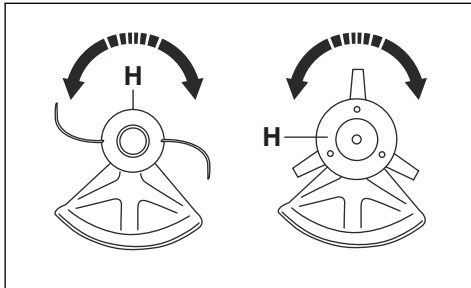
2. Tirer la goupille de blocage (C) hors du trou pour débloquer l'arbre.
3. Retirer le disque d'entraînement (B) de l'arbre de sortie.
4. Desserrer le boulon (L) du dispositif de protection de l'outil de coupe sur l'arbre.



5. Retirer le dispositif de protection de l'outil de coupe (A).

### Pour démonter le dispositif de protection de l'outil de coupe et la tête de coupe

1. Tourner la tête de coupe et les couteaux en plastique (H) dans le sens de rotation de la tête de coupe et des couteaux en plastique.



## Fonctionnement

### Carburant

Cet outil est équipé d'un moteur à deux-temps.



**MISE EN GARDE :** Un type de carburant inapproprié peut endommager le moteur. Utiliser un mélange d'essence et d'huile pour moteur à deux-temps.



cognements. Cela entraîne une élévation de la température du moteur, ce qui peut endommager gravement ce dernier.

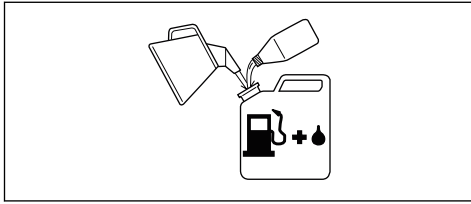
**MISE EN GARDE :** Si votre produit est équipé d'un pot catalytique, utiliser un mélange essence sans plomb-huile de bonne qualité. L'essence au plomb détruirait le pot catalytique.

### Essence



**MISE EN GARDE :** Toujours utiliser un mélange essence-huile de bonne qualité avec un indice d'octane d'au moins 90 (RON) L'utilisation d'un indice d'octane inférieur peut provoquer des

- Utiliser de l'essence à faibles émissions, également appelé alkylat, si celui-ci est disponible.



- Le carburant comprenant un mélange d'éthanol (E10), peut être utilisé (la teneur en éthanol ne doit pas dépasser 10 %). L'utilisation de carburant comprenant un mélange d'éthanol supérieur à celui de l'E10 peut provoquer un mauvais fonctionnement du moteur, ce qui peut endommager ce dernier.
- Il est recommandé d'utiliser un carburant avec un indice d'octane plus élevé lors de l'utilisation du produit à un régime moteur élevé en permanence.

## Carburant alkylat Husqvarna

Il est recommandé d'utiliser le carburant alkylat Husqvarna pour obtenir une performance optimale. Le carburant contient moins de composés dangereux par rapport à un carburant régulier, ce qui réduit les gaz d'échappement dangereux. Le carburant libère une faible quantité de particules dangereuses une fois brûlé, ce qui maintient les composants du moteur dans un état plus propre. Cela prolonge la durée de vie du moteur. Le carburant alkylat Husqvarna n'est pas disponible dans tous les marchés.

## Huile à moteur deux-temps



**MISE EN GARDE :** Une qualité d'huile non satisfaisante ou un mélange huile/carburant mal proportionné peut endommager l'outil et réduire la durée de vie du pot catalytique.



**MISE EN GARDE :** Ne pas utiliser l'huile pour moteur à deux temps dans des moteurs hors-bord refroidis à l'eau, également appelée huile pour moteur hors-bord.



**MISE EN GARDE :** Ne pas utiliser l'huile pour des moteurs à quatre temps.

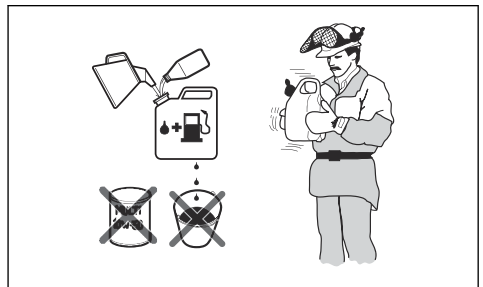
- Pour obtenir un meilleur résultat et un fonctionnement optimal, utiliser l'huile pour moteur à deux-temps Husqvarna.
- Si l'huile deux temps Husqvarna n'est pas disponible, utiliser une huile deux temps de bonne qualité pour moteurs refroidis à l'air. Communiquer avec votre centre de services pour sélectionner l'huile appropriée.

Essence, l	Huile pour moteur à deux temps, l
	<b>2 % (50:1)</b>
5	0,10
10	0,20
15	0,30
20	0,40

## Pour mélanger l'essence et l'huile pour moteur à deux temps



**MISE EN GARDE :** Il y a un risque que de petites erreurs influencent considérablement le ratio de mélange lors du mélange de petites quantités de carburant. Mesurer soigneusement la quantité d'huile à mélanger pour s'assurer d'obtenir le mélange approprié.



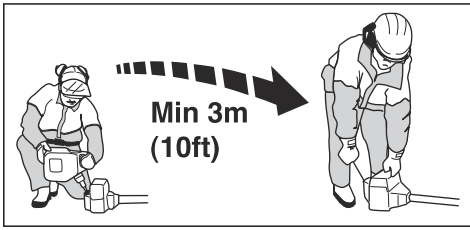
1. Remplir la moitié de la quantité d'essence à utiliser.
2. Ajouter la quantité totale d'huile, puis mélanger (agiter) le mélange de carburant.
3. Ajouter la quantité restante d'essence.
4. Mélanger (agiter) avec précaution le mélange de carburant et remplir le réservoir de carburant du produit.
5. Vider et nettoyer le réservoir de carburant si le produit n'est pas utilisé pendant un certain temps.

**Remarque :** Ne mélanger pas en une fois du carburant pour plus d'un mois et toujours effectuer le mélange essence-huile dans un bidon propre destiné à contenir du carburant.

## Remplissage du réservoir de carburant

1. Nettoyer la zone autour du bouchon du réservoir de carburant.
2. Secouer le bidon et s'assurer que le carburant est complètement mélangé. Utiliser un bidon d'essence comportant un robinet antidéversement.

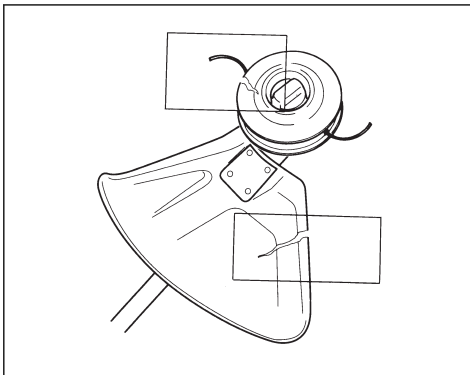
3. Remplir le réservoir de carburant.
4. Serrer fermement le bouchon du réservoir de carburant.
5. Éloigner le produit de 3 m (10 pi) ou plus de la zone de remplissage et de la source de carburant avant de démarrer.



**MISE EN GARDE :** La présence d'impuretés dans les réservoirs peut engendrer un mauvais fonctionnement. Nettoyer régulièrement le réservoir de carburant et le réservoir d'huile à chaîne, puis remplacer le filtre à carburant une fois par an ou plus.

### Avant d'utiliser le produit

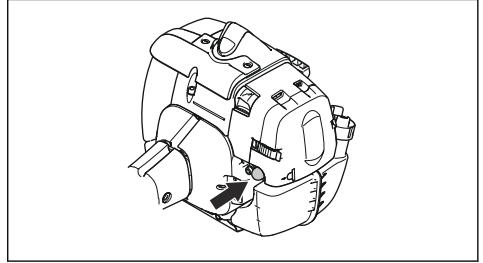
- Examiner la zone de travail pour s'assurer de connaître le type de terrain. Examiner l'inclinaison du sol et s'il y a des obstacles tels que des pierres, des branches et des fossés.
- Effectuer une inspection globale du produit.
- Effectuer les inspections de sécurité, les réparations et l'entretien indiqués dans ce manuel.
- S'assurer que tous les couvercles, la protection de coupe-herbe et la tête de coupe sont correctement fixés et exempts de dommages ou de fissures. Les remplacer s'ils ont reçu un coup ou s'ils sont fissurés.



**AVERTISSEMENT :** Ne pas utiliser le produit sans un dispositif de protection ou avec un dispositif de protection défectueux.

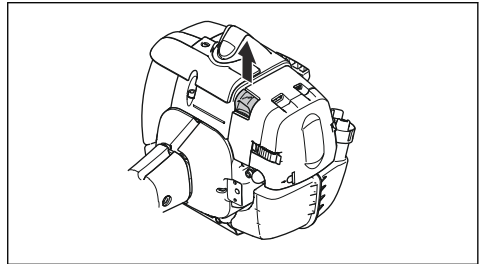
### Pour préparer le produit à des fins de démarrage

1. Appuyer sur la purge d'air à plusieurs reprises jusqu'à ce que le carburant commence à se verser dans la poire.



**Remarque :** Il n'est pas nécessaire de remplir entièrement la poire.

2. Déplacer la commande d'étrangleur vers le haut en position de démarrage.



**AVERTISSEMENT :** L'outil de coupe commence à tourner immédiatement lors du démarrage du moteur au moyen de l'étrangleur.

### Mise sous tension de l'appareil



**AVERTISSEMENT :** Lire les messages d'avertissement dans le chapitre sur la sécurité avant de démarrer le produit (se reporter à *Sécurité à la page 52*).

1. Porter des gants de protection.
2. Maintenir l'outil sur le sol à l'aide de la main gauche.



**MISE EN GARDE :** Ne pas utiliser vos pieds!

- Saisir le câble de démarrage avec la main droite.
- Tirer lentement la corde du lanceur avec la main droite jusqu'à rencontrer une résistance (les cliquets d'entraînement grippent).



**AVERTISSEMENT :** Ne pas enrouler la corde du lanceur autour de la main.

- Tirer la corde rapidement et énergiquement.



**MISE EN GARDE :** Ne pas tirer complètement la corde du lanceur et ne pas lâcher la poignée de la corde du lanceur lorsque la corde du lanceur est complètement déployée. Cela pourrait endommager le produit.

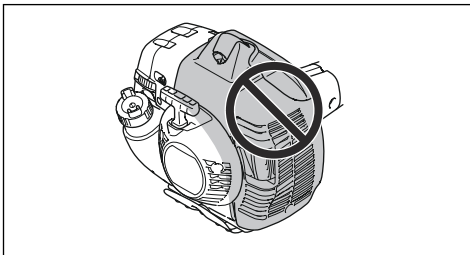
- Tirer sur la corde du lanceur jusqu'au démarrage du moteur ou jusqu'à 5 fois au maximum.
- Réinitialiser l'étrangleur lorsque le moteur démarre ou après avoir tiré 5 fois la corde du lanceur.
- Tirer sur la corde du lanceur à plusieurs reprises jusqu'à ce que le moteur démarre.
- Laisser le moteur tourner pendant 10 secondes.
- Actionner graduellement la commande des gaz.
- S'assurer que le moteur tourne de façon régulière.

**Remarque :** Si le moteur s'arrête, recommencer la procédure.

## À propos de la surface

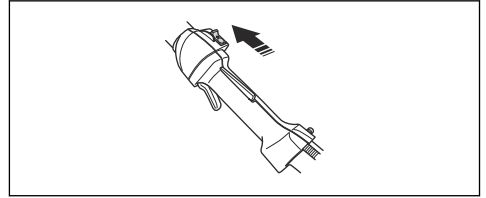


**AVERTISSEMENT :** Ne pas placer des parties de votre corps dans les zones marquées en gris. Un contact avec la zone marquée en gris peut causer des brûlures de la peau. Il peut également provoquer un risque d'électrocution si le capuchon de la bougie d'allumage a été endommagé. Ne pas utiliser un produit avec un capuchon de bougie d'allumage endommagé.



## Arrêt de l'appareil

- Déplacer l'interrupteur d'arrêt dans la position d'arrêt pour arrêter le moteur.



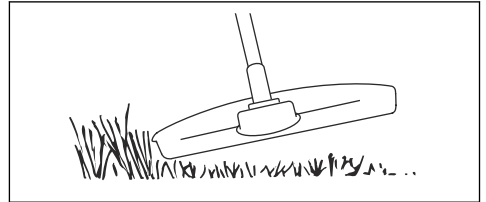
## MISE EN GARDE :

L'interrupteur revient automatiquement à sa position initiale. Afin d'éviter tout démarrage accidentel, toujours retirer le capuchon de bougie d'allumage de la bougie d'allumage lors du montage, de la vérification ou de l'entretien.

## Désherbage au moyen d'une tête de coupe

### Tonte du gazon

- Tenir la tête de coupe tout juste au-dessus du sol, en l'inclinant. Ne pas appuyer le fil de coupe dans l'herbe.

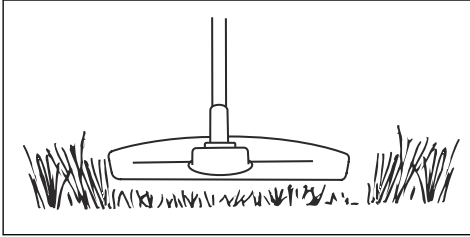


- Diminuer la longueur du fil de coupe de 10-12 cm (4-4,75 po).
- Réduire le régime du moteur pour réduire le risque d'endommager les plantes.
- Utiliser 80 % de l'accélération lorsqu'on doit couper l'herbe à proximité d'objets.

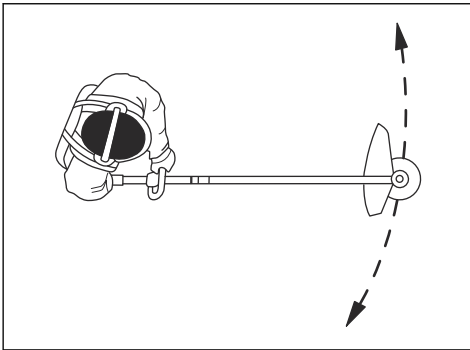


## Pour couper l'herbe

1. Pour effectuer une coupe, vérifier que le fil de coupe est parallèle au sol.



2. Ne pas appuyer la tête de coupe sur le sol. Cela pourrait endommager le produit.
3. Déplacer le produit d'un côté à l'autre pendant la coupe. Faire tourner le moteur à plein régime.



## Pour balayer l'herbe

Le débit d'air du fil de coupe en rotation peut être utilisé pour souffler l'herbe coupée d'une zone.

1. Maintenir la tête de désherbage et le fil surélevés et parallèles au sol.
2. Faire tourner le moteur à plein régime.
3. Déplacer la tête de coupe d'un côté à l'autre et balayer l'herbe.



**AVERTISSEMENT :** Nettoyer le couvercle de la tête de désherbage à chaque remplacement du fil de coupe afin d'éviter un déséquilibre et des vibrations dans les poignées. En outre, vérifier les autres parties de la tête de coupe et les nettoyer au besoin.

## Entretien

### Réglage du régime de ralenti

Votre produit Husqvarna est conçu et fabriqué conformément aux spécifications permettant de diminuer les émissions nocives.

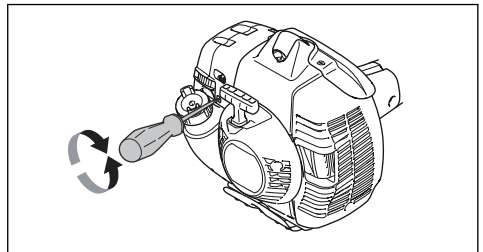
- Vérifier que le filtre à air est propre et que le couvercle du filtre à air est fixé avant de régler le régime de ralenti.
- Régler le régime de ralenti à l'aide de la vis de réglage de ralenti en T, identifiée par le repère « T ».



**AVERTISSEMENT :** Si l'outil de coupe ne s'arrête pas lors du réglage du régime de ralenti, se rendre chez le fournisseur de services d'entretien le plus proche. Ne pas utiliser le produit jusqu'à ce qu'il soit réglé ou réparé correctement.

- Le régime de ralenti est adéquat lorsque le moteur fonctionne sans à-coups dans toutes les positions. Le régime de ralenti doit être inférieur à la vitesse lorsque l'outil de coupe commence à tourner.

1. Tourner la vis de réglage de ralenti dans le sens horaire jusqu'à ce que l'outil de coupe commence à tourner.



2. Tourner la vis de réglage de ralenti dans le sens antihoraire jusqu'à ce que l'outil de coupe s'arrête.

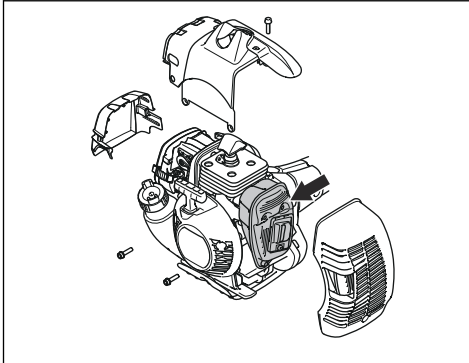
**Remarque :** Se reporter à la section *Caractéristiques techniques* à la page 70 pour obtenir le régime de ralenti recommandé.



## Pour entretenir le silencieux



**AVERTISSEMENT** : Le silencieux est conçu pour réduire le niveau de bruit et pour diriger les gaz d'échappement loin de l'utilisateur. Les gaz d'échappement du moteur sont chauds et peuvent contenir des étincelles pouvant provoquer un incendie s'ils sont dirigés contre des matériaux secs et inflammables.

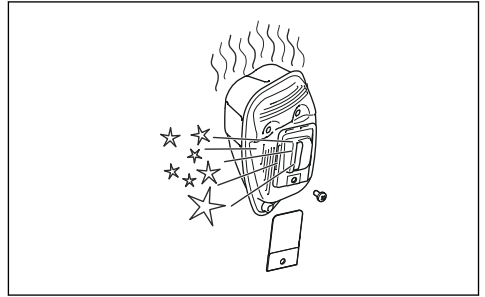


1. Examiner si votre produit dispose d'un pot catalytique. Voir *Caractéristiques techniques à la page 70*.



**AVERTISSEMENT** : Les silencieux qui disposent de pots catalytiques deviennent très chauds pendant le fonctionnement et restent chauds pendant un certain temps après l'arrêt du produit. C'est également le cas lorsque le moteur tourne au ralenti. Le contact avec le produit peut causer des brûlures de la peau. Penser au risque d'incendie!

2. Certains silencieux sont dotés d'un écran pare-étincelles spécial. Nettoyer l'écran pare-étincelles au moyen d'une brosse métallique si votre produit est équipé de ce type de silencieux. Nettoyer l'écran pare-étincelles une fois par semaine sur les silencieux sans pot catalytique et une fois par mois sur les silencieux avec pot catalytique. Remplacer l'écran pare-étincelles s'il est endommagé et ne pas utiliser un produit avec un écran pare-étincelles endommagé.



**MISE EN GARDE** : Si l'écran pare-étincelles est souvent colmaté, cela peut être le signe d'une réduction de la performance du pot catalytique. Se rendre chez le fournisseur de services d'entretien pour examiner le silencieux. Un écran pare-étincelles colmaté provoque une surchauffe et une détérioration du cylindre et du piston.



**MISE EN GARDE** : Remplacer l'écran pare-étincelles s'il est endommagé. Ne pas utiliser un produit si l'écran pare-étincelles du silencieux est manquant ou défectueux.

## Pour entretenir la tête de coupe

1. N'utiliser que l'outil de coupe et le dispositif de protection de l'outil de coupe recommandés. Se reporter à la section *Accessoires à la page 70*.
2. S'assurer que le couteau sur le dispositif de protection de l'outil de coupe n'est pas endommagé et coupe la corde à la bonne longueur.
3. Installer la corde conformément aux illustrations qui figurent sur les dernières pages du manuel.

## Système de refroidissement

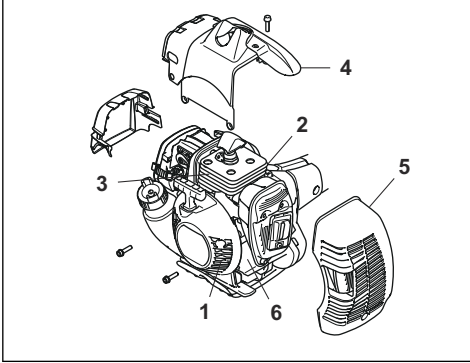
Le produit dispose d'un système de refroidissement pour maintenir la température de fonctionnement aussi basse que possible.

Nettoyer les composants du système de refroidissement au moyen d'une brosse une fois par semaine ou plus fréquemment en cas d'utilisation dans des conditions difficiles. Un système de refroidissement encrassé ou

bloqué entraîne une surchauffe excessive susceptible d'endommager le piston et le cylindre.

Le système de refroidissement comporte les éléments suivants :

1. Entrée d'air au démarreur.
2. Ailettes du volant moteur.
3. Ailettes de refroidissement du cylindre
4. Couvercle du cylindre (dirige l'air frais sur le cylindre)
5. Capot du silencieux.
6. Plaque du silencieux.

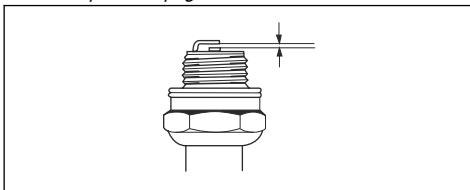


## Vérification de la bougie d'allumage



**MISE EN GARDE :** Toujours utiliser une bougie d'allumage de type recommandé. Une bougie d'allumage de type inapproprié peut endommager le produit.

- Examiner la bougie d'allumage si le moteur manque de puissance, démarre difficilement ou ne fonctionne pas correctement au régime de ralenti.
- Afin de réduire le risque de matériau indésirable sur les électrodes de la bougie, respecter les consignes suivantes :
  - a) Vérifier que le régime de ralenti est réglé de façon adéquate.
  - b) Vérifier que le mélange de carburant est correct.
  - c) Vérifier que le filtre à air est propre.
- Si la bougie d'allumage est sale, la nettoyer et s'assurer que l'écartement des électrodes est correct, se reporter à la section *Caractéristiques techniques à la page 70*.



- Remplacer la bougie d'allumage au besoin.

## Filtre à air

Enlever la poussière et la saleté du filtre à air pour le garder propre afin d'éviter ces problèmes :

- Mauvais fonctionnement du carburateur.
- Problèmes au démarrage du produit.
- Une perte de puissance du moteur
- Une usure accrue des pièces du moteur.
- Une consommation excessive de carburant.

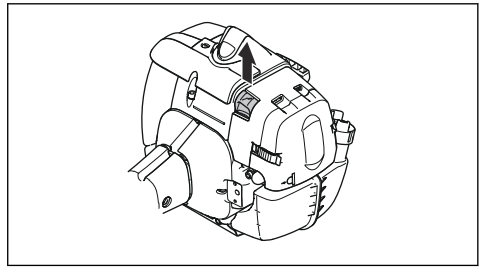
## Nettoyage du filtre à air



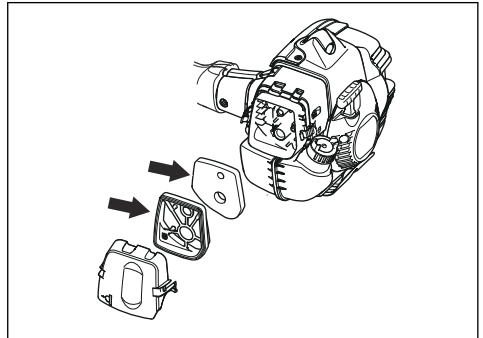
**MISE EN GARDE :** Toujours remplacer un filtre à air endommagé, très sale ou imbibé de carburant.

Un filtre à air ne peut pas être complètement nettoyé en cas d'utilisation pendant une longue période. Remplacer le filtre à air par un filtre neuf à des intervalles réguliers.

1. Déplacer le levier d'étrangleur vers le haut, pour fermer le volet de départ.



2. Retirer le couvercle du filtre à air et retirer le filtre à air.

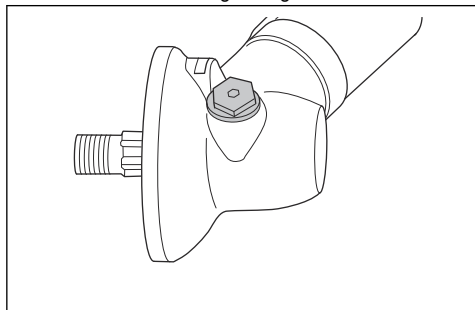


3. Nettoyer le filtre à air à l'eau savonneuse chaude. Vérifier que le filtre à air est sec avant de l'installer.
4. Remplacer le filtre à air s'il est trop sale pour être nettoyé entièrement. Toujours remplacer les filtres à air endommagés.
5. Nettoyer également la surface interne du couvercle du filtre. Utiliser de l'air ou une brosse.

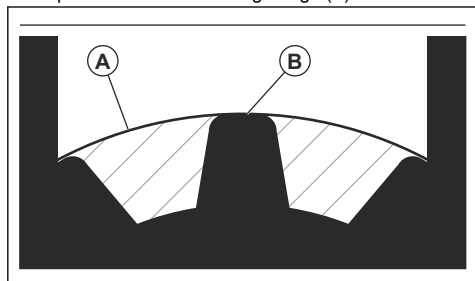
- Vérifier la surface d'étanchéité en caoutchouc. Remplacer le filtre du joint en caoutchouc s'il est endommagé.
- Vérifier que le filtre est sec avant de l'installer.

## Pour lubrifier le renvoi d'angle

- Retirer l'équipement de coupe
- Placer le produit avec le bouchon de graissage à sa position la plus élevée.
- Retirer le bouchon de graissage.



- Regarder dans le trou du bouchon de graissage et faire tourner l'arbre d'entraînement. Le niveau de graisse (A) doit être à niveau avec la partie supérieure des dents d'engrenage (B).



- Si le niveau de graisse est trop bas, remplissez le renvoi d'angle avec la graisse Husqvarna spécifique. Remplir lentement l'arbre d'entraînement et le faire tourner pendant que l'application de la graisse spécifique, puis arrêter lorsque le bon niveau (B) est atteint.

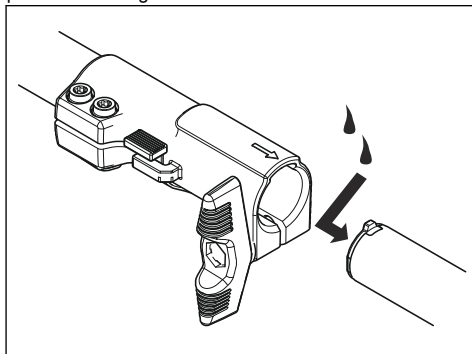


**MISE EN GARDE :** Si la quantité de graisse n'est pas adéquate, le renvoi d'angle pourrait être endommagé.

- Installer le bouchon de graissage.

## Arbre en deux pièces

Appliquer de la graisse sur l'extrémité de l'arbre d'entraînement après chaque 30 heures de fonctionnement. Il y a un risque que les extrémités de l'arbre d'entraînement (raccords cannelés) des modèles avec arbres en deux pièces se grippent si elles ne sont pas lubrifiées régulièrement.



## Calendrier d'entretien

Vous trouverez ci-dessous une liste d'étapes d'entretien qui doivent être effectuées sur le produit. La plupart des étapes sont décrites dans la section *Entretien à la page 64*

**Remarque :** L'utilisateur doit seulement effectuer les travaux de maintenance et d'entretien décrits dans ce manuel d'utilisation. Les travaux plus importants doivent être effectués par un atelier d'entretien agréé.

Entretien	Quotidien	Hebdomadaire	Mensuel
Nettoyer la surface externe.	X		
S'assurer que le dispositif de verrouillage de la gâchette de l'accélérateur et l'accélérateur fonctionnent correctement du point de vue de la sécurité.	X		
Vérifier l'interrupteur d'arrêt pour s'assurer qu'il fonctionne correctement.	X		
S'assurer que l'outil de coupe ne tourne pas au régime de ralenti.	X		
Nettoyer le filtre à air. Remplacer au besoin.	X		

Entretien	Quotidien	Hebdomadaire	Mensuel
Vérifier le dispositif de protection de l'outil de coupe pour détecter d'éventuels dommages et fissures. Remplacer la protection si elle a reçu un coup ou si elle est fissurée.	X		
Examiner la tête de coupe pour s'assurer qu'elle ne présente pas de dommages ou de fissures. Remplacer en cas de dommages.	X		
Vérifier que les vis et les écrous sont bien serrés.	X		
Examiner le moteur, le réservoir de carburant et les conduites de carburant pour détecter d'éventuelles fuites.	X		
Nettoyer le système de refroidissement.		X	
Examiner le lanceur et la corde du lanceur pour détecter d'éventuels dommages.		X	
Examiner les éléments antivibrations pour s'assurer qu'ils ne présentent pas de dommages ou de fissures.		X	
Nettoyer l'extérieur de la bougie d'allumage. Retirer la bougie d'allumage et vérifier l'écartement des électrodes. Régler l'écartement à la distance appropriée (se reporter à la section <i>Vérification de la bougie d'allumage à la page 66</i> ) ou remplacer la bougie d'allumage. S'assurer que la bougie est dotée d'un suppresseur.		X	
Nettoyer l'extérieur du carburateur et ses zones adjacentes.		X	
Vérifier le pignon conique pour s'assurer qu'il est rempli au trois-quarts de lubrifiant. Remplir avec de la graisse spéciale, au besoin.		X	
Nettoyer ou remplacer la maille pare-étincelles du silencieux (s'applique seulement aux silencieux sans pot catalytique).		X	
S'assurer que le filtre à carburant est exempt de toute contamination et que le tuyau à carburant ne présente pas de fissures ou d'autres défauts. Remplacer au besoin.			X
Vérifier tous les câbles et toutes les connexions.			X
Vérifier l'embrayage, les ressorts d'embrayage et le tambour d'embrayage pour détecter toute éventuelle usure. Les remplacer au besoin dans un atelier de réparation agréé.			X
Remplacer la bougie d'allumage. S'assurer que la bougie est dotée d'un suppresseur.			X
Vérifier et nettoyer la maille pare-étincelles du silencieux (s'applique seulement aux silencieux sans pot catalytique).			X

---

## Dépannage

---

### Le moteur ne démarre pas.

Vérifier	Cause possible	Procédure
Interrupteur d'arrêt.	L'interrupteur d'arrêt est à la position d'arrêt.	Régler l'interrupteur d'arrêt à la position de démarrage.

Vérifier	Cause possible	Procédure
Cliquets de lanceur à rappel.	Les cliquets de lanceur à rappel ne peuvent se déplacer librement.	Retirer le couvercle du démarreur et nettoyer autour des cliquets de lanceur à rappel.
		Laisser un agent d'entretien agréé vous aider.
Réservoir de carburant.	Type de carburant inapproprié.	Vidanger le réservoir de carburant et faire le plein avec le carburant correct.
Bougie d'allumage.	La bougie d'allumage est sale ou humide.	S'assurer que la bougie est propre et sèche.
	L'écartement des électrodes de la bougie d'allumage est incorrect.	Nettoyer la bougie d'allumage. Vérifier que l'écartement des électrodes est correct. S'assurer que la bougie d'allumage est dotée d'un supprimeur.
	La bougie d'allumage est desserrée.	Consulter les caractéristiques techniques pour connaître l'écartement correct des électrodes. Serrer la bougie d'allumage.

## Le moteur démarre mais s'arrête à nouveau

Vérifier	Cause possible	Procédure
Réservoir de carburant.	Type de carburant inapproprié.	Vider le réservoir de carburant et faire le plein avec le carburant correct.
Filtre à air.	Le filtre à air est bouché.	Nettoyer le filtre à air.

## Transport et entreposage

### Transport et entreposage

- Entreposer et transporter le produit et le carburant de sorte qu'il n'y ait aucun risque qu'une fuite ou émanation entre en contact avec des étincelles ou des flammes, par exemple, à partir de machines électriques, des moteurs électriques, des relais ou commutateurs électriques ou des chaudières.
- Lors de l'entreposage et du transport du carburant, toujours utiliser des contenants prévus à cet effet.
- Lors de l'entreposage du produit pendant des périodes prolongées, le réservoir de carburant doit être vide. Communiquer avec votre station-service locale pour savoir où se débarrasser de l'excédent de carburant. Vidanger le réservoir dans un contenant approprié et dans un endroit bien aéré.

- Avant d'effectuer l'entreposage à long terme, assurez-vous de nettoyer le produit et d'en effectuer l'entretien complet.
- La protection de transport doit toujours être installée sur l'outil de coupe lorsque le produit est transporté ou entreposé.
- Fixer le produit au cours du transport.
- Afin d'éviter tout démarrage accidentel, toujours retirer le capuchon de la bougie d'allumage lors du remisage à long terme, si le produit n'est pas sous une surveillance stricte et lors de l'exécution de toutes les mesures relatives à l'entretien.
- Laisser le produit refroidir avant de le remiser.

---

## Caractéristiques techniques

---

### Données techniques

	<b>535LK</b>
<b>Moteur</b>	
Cylindrée, po <sup>3</sup> /cm <sup>3</sup>	2,1 / 34,6
Alésage de cylindre, po/mm	1,5 / 38
Course, po/mm	1,2 / 30,5
Régime de ralenti, tr/min	2900
Régime maximal recommandé, tr/min	11 700
Régime de l'arbre de sortie, tr/min	8013
Puissance de sortie max. du moteur, conformément à la norme ISO 8893, kW/hp à tr/min	1,5/2 à 8 400
Silencieux du pot catalytique	Oui
Système d'allumage à régime régulé	Oui
<b>Système d'allumage</b>	
Fabricant et type de système d'allumage	Walbro
Bougie d'allumage	Champion RCJ 6Y
Écartement des électrodes, po/mm	0,02 / 0,5
<b>Circuits d'alimentation et de lubrification</b>	
Fabricant et type de carburateur	Zama EL36D
Capacité du réservoir de carburant, pte US/ l	1,3 / 0,6
<b>Poids</b>	
Sans carburant, équipement de coupe, ni protections, lb/kg	12,8 / 5,8

---

## Accessoires

---

### Accessoires

Les accessoires utilisés en combinaison avec les blocs moteurs indiqués ont été évalués selon la norme ANSI B175.3-2013 concernant les exigences en matière de sécurité pour les débroussailluses et les coupe-herbes. Ces combinaisons ont été évaluées par Underwriters Laboratories Inc. (UL) et sont par conséquent répertoriées sous la mention UL.

<b>535LK</b>		
<b>Accessoires homologués</b>	<b>Type</b>	<b>Protection de l'outil de coupe, réf. art.</b>

<b>535LK</b>		
Filetage de l'axe de lame M10		
Couteaux en plastique	Tricut de 255 mm de diam. (numéro de pièce des lames séparées : 531 01 77-15)	588 11 79-01
	Tricut de 300 mm de diam. (numéro de pièce des lames séparées : 531 01 77-15)	588 11 79-01
Tête de désherbage	Superauto II (fil de 2,4 à 2,7 mm de diamètre)	588 11 79-01
		588 11 79-01
	S35 (fil de 2,4 à 3,0 mm de diam.)	588 11 79-01
		588 11 79-01
	T35, T35x (fil de 2,4 à 3,0 mm de diam.)	588 11 79-01
		588 11 79-01
Alliage (fil de 2,0 à 3,3 mm de diam.)	588 11 79-01	
	588 11 79-01	

Les accessoires sont recommandés pour l'utilisation en combinaison avec les blocs moteurs indiqués et évalués selon les normes ISO- et EN concernant les exigences en matière de sécurité par SMP, l'institut suédois des tests de l'outillage mécanique.

<b>Accessoires homologués</b>	<b>Utilisation avec</b>
Accessoire de balayeuse SR600-2	535LK
Accessoire de taille-haie HA110	535LK
Accessoire de taille-haie HA850	535LK
Accessoire de taille-haie HA200	535LK
Accessoire de taille-haie HA860	535LK
Accessoire pour taille-bordures EA850	535LK
Accessoire de sciage PA1100	535LK
Accessoire de coupe TA850	535LK
Accessoire de rallonge EX850	535LK
Accessoire pour cultivateur CA230	535LK
Accessoire pour aspiro-souffleur BA101	535LK
Accessoire pour brosse en soies BR600	535LK
Accessoire pour démousseur DT600	535LK
Accessoire de tronçonneuse sur perche PAX730	535LK

<b>Accessoires homologués</b>	<b>Utilisation avec</b>
Accessoire de tronçonneuse sur perche PAX1100	535LK



---

# Garantie

---

## DÉCLARATION DE GARANTIE DU SYSTÈME DE CONTRÔLE DES ÉMISSIONS D'ÉCHAPPEMENT ET D'ÉVAPORATION CONFORME AUX EXIGENCES LÉGALES DES ÉTATS-UNIS, DE LA CALIFORNIE ET DU CANADA

### VOS DROITS ET OBLIGATIONS EN VERTU DE LA GARANTIE

Le California Air Resources Board (CARB), l'U.S. Environmental Protection Agency (EPA), Environnement et Changement climatique Canada et Husqvarna Professional Products, Inc. vous présentent la garantie du système de contrôle des émissions d'échappement et d'évaporation (les « émissions ») qui protège votre petit moteur hors route 2022-2023\*. En Californie, l'équipement neuf équipé d'un petit moteur hors-route doit être conçu, fabriqué et équipé de manière à répondre aux strictes normes antipollution de l'État. Husqvarna Professional Products, Inc. doit garantir les systèmes de contrôle antipollution de votre petit moteur hors route pendant les périodes figurant sur la liste ci-dessous à condition que votre petit moteur hors route ou tout autre équipement ne présente aucun signe d'abus, de négligence ou d'entretien inapproprié menant à la défaillance du système de contrôle des émissions. Votre système de contrôle des émissions peut comprendre différentes pièces comme un carburateur, un système d'injection de carburant, un système d'allumage, un pot catalytique, des réservoirs de carburant, des conduites de carburant (pour le carburant liquide et les vapeurs de carburant), des bouchons de réservoir de carburant, des soupapes, des réservoirs à charbon actif, des filtres, des colliers et d'autres composants associés. Il peut aussi comprendre des flexibles, de courroies, des raccords et d'autres pièces liées aux émissions. En cas de problème couvert par la garantie, Husqvarna Professional Products, Inc. répare votre petit moteur hors route sans frais, diagnostic, pièces et main-d'œuvre compris.

### COUVERTURE DE LA GARANTIE DU FABRICANT

Le système de contrôle des émissions par évaporation pour petit moteur hors route est garanti deux ans. Si une pièce de votre petit moteur hors route liée aux émissions est défectueuse, elle doit alors être réparée ou remplacée par Husqvarna Professional Products, Inc..

### RESPONSABILITÉS DU PROPRIÉTAIRE EN VERTU DE LA GARANTIE

- À titre de propriétaire d'un petit moteur hors route, vous êtes tenu d'effectuer l'entretien obligatoire indiqué dans le manuel de l'utilisateur. Husqvarna

Professional Products, Inc. vous recommande de conserver tous les reçus relatifs à l'entretien de votre petit moteur hors route, mais Husqvarna Professional Products, Inc. ne peut pas refuser l'application de la garantie pour la seule raison de l'absence de reçus ou du non-respect du calendrier de maintenance.

- En tant que propriétaire d'un petit moteur hors route, vous devez savoir que Husqvarna Professional Products, Inc. peut vous refuser la couverture de la garantie si votre petit moteur hors route ou une pièce est défaillant en raison d'un abus, de négligence, d'un entretien inapproprié ou de modifications non approuvées.
- Vous devez présenter votre petit moteur hors route à un centre de réparation Husqvarna Professional Products, Inc. agréé dès que le problème se manifeste. Les réparations couvertes par la garantie seront effectuées dans un délai raisonnable qui n'excédera pas 30 jours. Pour toute question relative à vos droits et responsabilités relativement à votre garantie, communiquer avec Husqvarna Professional Products, Inc. au CANADA au 1-800-487-5951 ou aux ÉTATS-UNIS au 1-800-805-5523, ou alors envoyer un courriel à l'adresse [emissions@hqp.husqvarnagroup.com](mailto:emissions@hqp.husqvarnagroup.com) ou [warranty@hqp-emissions.com](mailto:warranty@hqp-emissions.com).

### DATE D'ENTRÉE EN VIGUEUR DE LA GARANTIE

La période de garantie commence à la date à laquelle le moteur ou le matériel est livré à l'acheteur final.

### DURÉE DE LA COUVERTURE

Husqvarna Professional Products, Inc. garantit au dernier acheteur et à chacun des propriétaires suivants que le petit moteur ou l'équipement hors route a été conçu, construit et équipé dans le respect de toutes les réglementations applicables édictées par l'CARB et le EPA et est exempt de tout défaut matériel ou de fabrication pouvant provoquer la panne d'une pièce garantie pendant une période de deux ans.

### ÉLÉMENTS COUVERTS

#### REPARATION OU REMPLACEMENT DES PIÈCES :

La réparation ou le remplacement de toute pièce garantie qui est défectueuse sera effectué sans frais dans un centre de services agréé par la marque.

À l'exclusion des réparations et des remplacements couverts par la présente garantie, il est possible de choisir un atelier de réparation ou toute autre personne pour entretenir, remplacer ou réparer les dispositifs et systèmes de contrôle des émissions. Cependant, Husqvarna Professional Products, Inc. recommande que toutes les opérations d'entretien, de remplacement et de réparation des dispositifs et systèmes antipollution soient effectuées dans un centre de services agréé par la marque.

**IMPORTANT :** Le présent produit est conforme à la réglementation de la Phase 3 de l'Environmental Protection Agency (EPA) des États-Unis en ce qui concerne les émissions d'échappement et d'évaporation. Afin de garantir le respect des règlements de l'EPA Phase 3 des États-Unis, du California Air Resources Board et d'Environnement et Changement climatique Canada, nous recommandons d'utiliser uniquement des pièces de rechange de la marque du produit d'origine. L'utilisation de pièces de rechange non conformes est une infraction à la législation fédérale et à celle de certains États.

**PÉRIODE DE GARANTIE :** Toute pièce garantie dont le remplacement n'est pas prévu dans le cadre du programme d'entretien obligatoire ou dont la seule mesure prévue est l'inspection régulière avec « réparation ou remplacement au besoin » est garantie pendant deux ans (ou pendant la durée stipulée dans la garantie du produit, selon la période la plus longue) à compter de sa date d'achat par l'acheteur initial. Toute pièce garantie dont le remplacement est prévu par le calendrier d'entretien obligatoire est garantie pendant la période écoulée jusqu'au premier remplacement prévu de la pièce. Toute pièce réparée ou remplacée en vertu de la garantie est couverte pendant la période de garantie restante.

**DIAGNOSTIC :** Vous n'avez pas à payer pour le diagnostic permettant de conclure que la pièce garantie est défectueuse, à condition qu'un tel diagnostic soit effectué dans un atelier d'entretien agréé.

**AUTRES DOMMAGES :** Husqvarna Professional Products, Inc. réparera les autres composants du moteur endommagés par suite de la défaillance d'une pièce sous garantie.

## **LISTE DES PIÈCES COUVERTES PAR LA GARANTIE DE CONTRÔLE DES ÉMISSIONS**

1. Pièces du carburateur et du système d'admission ou système d'injection.
2. Filtre à air et filtre à carburant couverts dans la limite du calendrier d'entretien.
3. Bougies d'allumage couvertes dans la limite du calendrier d'entretien.
4. Module d'allumage.
5. Silencieux avec catalyseur et collecteurs d'échappement
6. Réservoir de carburant, conduites de carburant (pour le carburant et les vapeurs de carburant), bouchon de réservoir, réservoir à charbon actif, clapet antiretour en cas de retournement et clapets antibalottement si applicable.
7. Commandes électroniques, soupapes et interrupteurs sensibles au vide, à la température et au temps.
8. Flexibles, raccords et ensembles.
9. Tous les autres composants, dont la défaillance augmenterait les émissions par évaporation d'un polluant quelconque par le moteur, comme énoncé ci-dessous :

- Pour la Californie, voir le California Code of Regulations, 13 CCR §2405(d) et 2760(d).
- Pour les États-Unis et le Canada, se reporter au US Federal Code of Regulations, 40 C.F.R 1068 Appendix I (iii).

## **ÉLÉMENTS NON COUVERTS**

Toutes les pannes dues à un abus, à de la négligence, à des modifications non approuvées, à une utilisation ou à un entretien inadéquat ne sont pas couvertes.

## **PIÈCES COMPLÉMENTAIRES OU MODIFIÉES**

Aucune pièce complémentaire ou modifiée non affranchie par la CARB ou l'EPA ne peut être utilisée. L'utilisation de pièces complémentaires ou modifiées non exemptées est un motif suffisant pour rejeter une demande d'indemnisation. Husqvarna Professional Products, Inc. n'a pas la responsabilité de garantir les pannes de pièces garanties provoquées par l'utilisation d'une pièce complémentaire ou modifiée non affranchie.

## **COMMENT PRÉSENTER UNE DEMANDE D'INDEMNISATION**

Pour toute question relative à vos droits et responsabilités relativement à la garantie, communiquer avec le centre de services agréé le plus proche, appeler Husqvarna Professional Products, Inc. aux ÉTATS-UNIS au 1-800-487-5951, au CANADA au 1-800-805-5523, ou bien envoyer un courriel à l'adresse [emissions@husqvarnagroup.com](mailto:emissions@husqvarnagroup.com) ou [warranty@hqp-emissions.com](mailto:warranty@hqp-emissions.com).

## **OÙ JOINDRE LE SERVICE DE GARANTIE?**

Les services de garantie ou de réparation sont assurés par tous les ateliers d'entretien Husqvarna Professional Products, Inc. agréés. Si le centre de réparation agréé le plus près se trouve à plus de 160 kilomètres de votre emplacement, Husqvarna Professional Products, Inc. arrangerait et paierait la livraison aller-retour vers un centre de réparation agréé par la marque ou arrangerait autrement la prestation du service au titre de la garantie, en conformité avec les règlements applicables.

## **ENTRETIEN, REMPLACEMENT ET RÉPARATION DES PIÈCES RELATIVES AUX ÉMISSIONS**

Toute pièce de remplacement peut être utilisée pour procéder à un entretien ou à une réparation sous garantie et elle sera fournie sans frais pour le propriétaire. Un tel remplacement n'a pas pour effet de réduire les obligations du fabricant relativement à la garantie.

## **ATTESTATION D'ENTRETIEN**

Le propriétaire a la responsabilité de respecter l'entretien obligatoire défini dans le manuel de l'opérateur.

\* L'année modèle courante et subséquente sera mise à jour annuellement dans la déclaration de garantie fournie au consommateur. Par exemple, 2012-2013 sera spécifié pour l'année modèle 2012.

\*\* Pièces liées aux émissions par évaporation.





[www.husqvarna.com](http://www.husqvarna.com)

Original instructions  
Instrucciones originales  
Instructions d'origine

1143317-49



2022-11-21