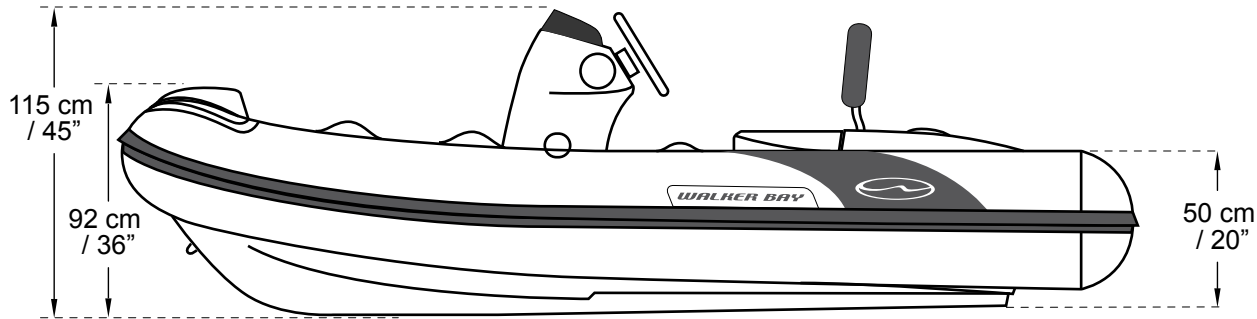


Generation LTE 11

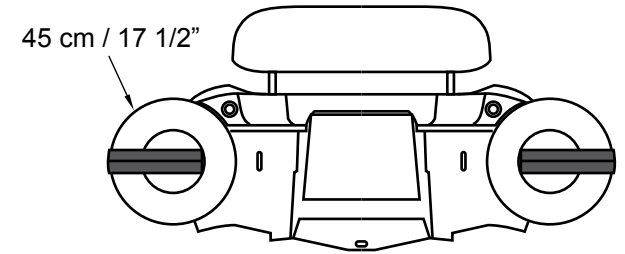
SPECIFICATIONS & MAXIMUM CAPACITIES



WALKER BAY

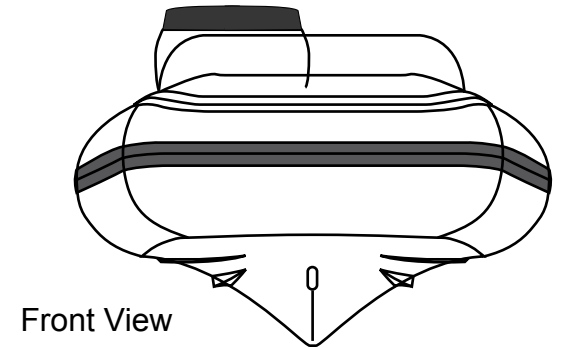
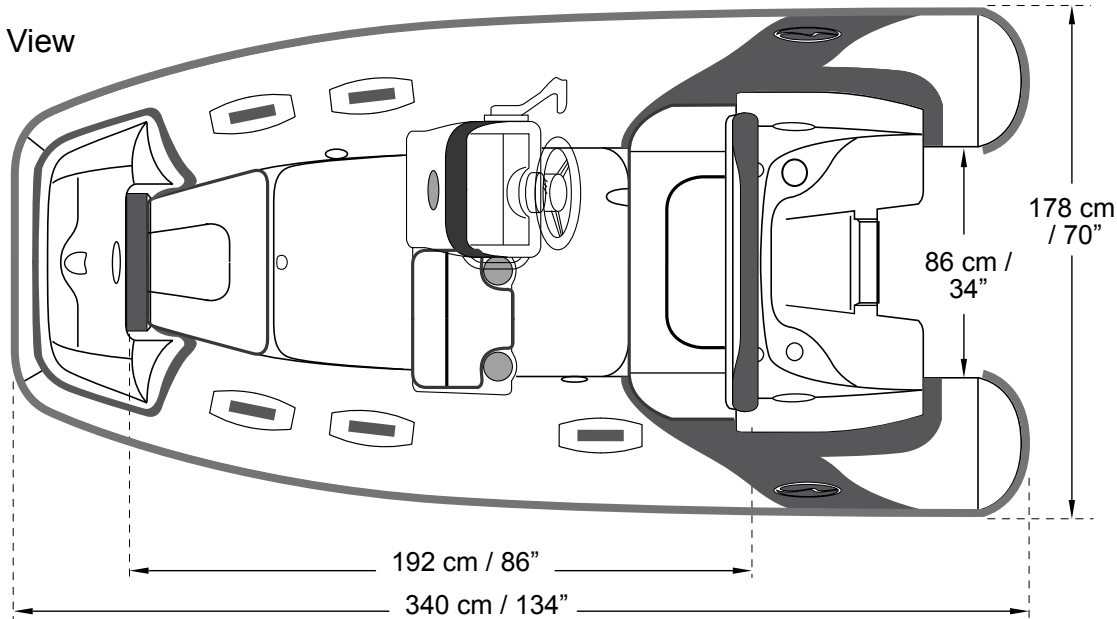


Side View



Rear View

Top View



Front View

SPECIFICATIONS AND MAXIMUM CAPACITIES (Subject to change without notice. Tolerances: Dimensions +/- 3% Weight +/- 5%)

MODEL	ISO 6185 PART	ISO 6185			#			Length											Wet Weight (Approximate) 20HP (15kW) + Fuel		AIR CHAMBERS			
			KG	LB		KG	LB		KG	LB	Maximum		Recommended		Maximum Speed		KG	LB	KG	LB		PSI	BAR	
											KW	HP	KW	HP	KT	MPH	Km/h							
Generation LTE 11	3	C	584	1285	5	375	825	L	91	200	22.5	30	19	25	27	30	50	152	334	239	525	3	3.5	0.24