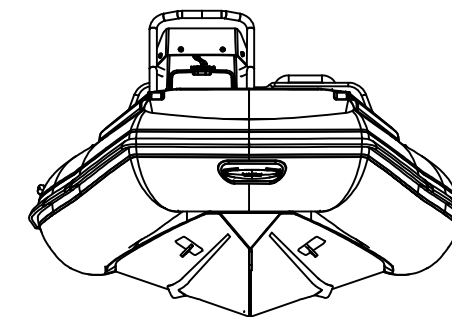
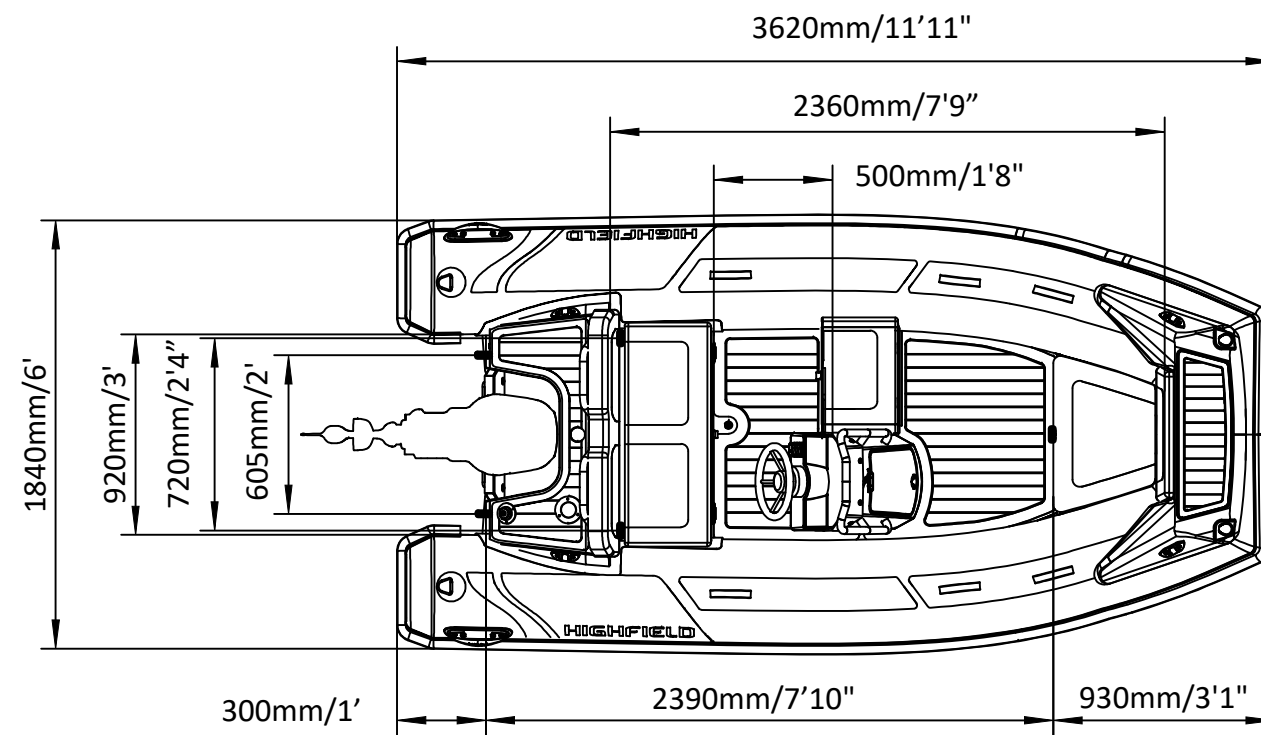
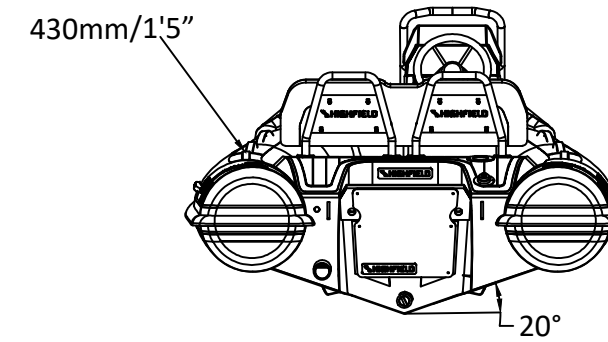
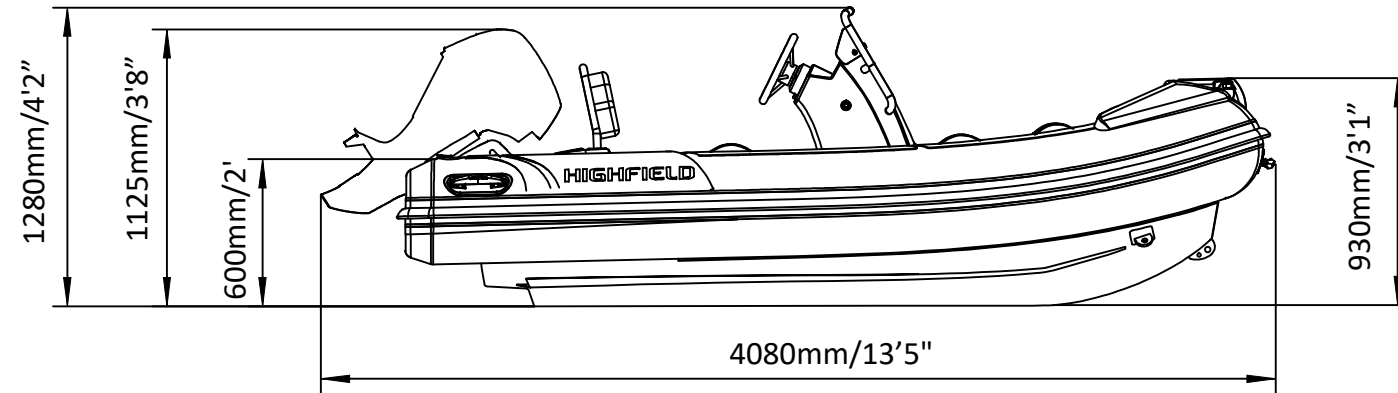


SPORT 360

SPECIFICATIONS



SPECIFICATIONS AND MAXIMUM CAPACITIES (Subject to change without notice. Tolerances: dimensions ±2.5%, weights ±5%)

MODEL	ISO 6185 PART	ISO 6185	Occupants		#	Weight		Shaft	Outboard Engine		Sundeck		Fuel Tank Capacity		Tow post		Rollbar		Wet Weight (Approximate) 40HP Yamaha +Fuel		AIR CHAMBERS	Pressure					
			KG	LB		KG	LB		KG	LB	KG	LB	L	GAL	KG	LB	KG	LB	KG	LB		PSI	BAR				
SPORT 360	3	C	634	1398	6	450	992	L	29.84	40	124.1	274	215	473	6	13.2	30	8	6.5	14.3	/	/	327	720	3	3.63	0.25

Boat weight includes: console