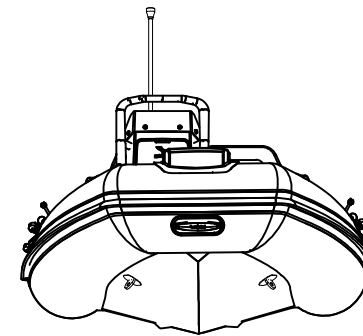
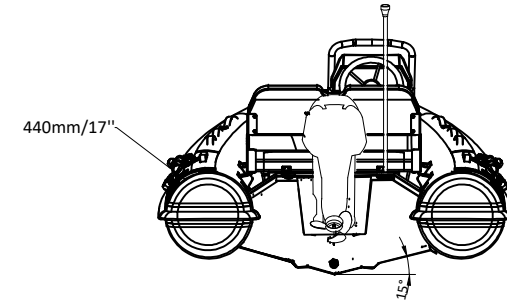
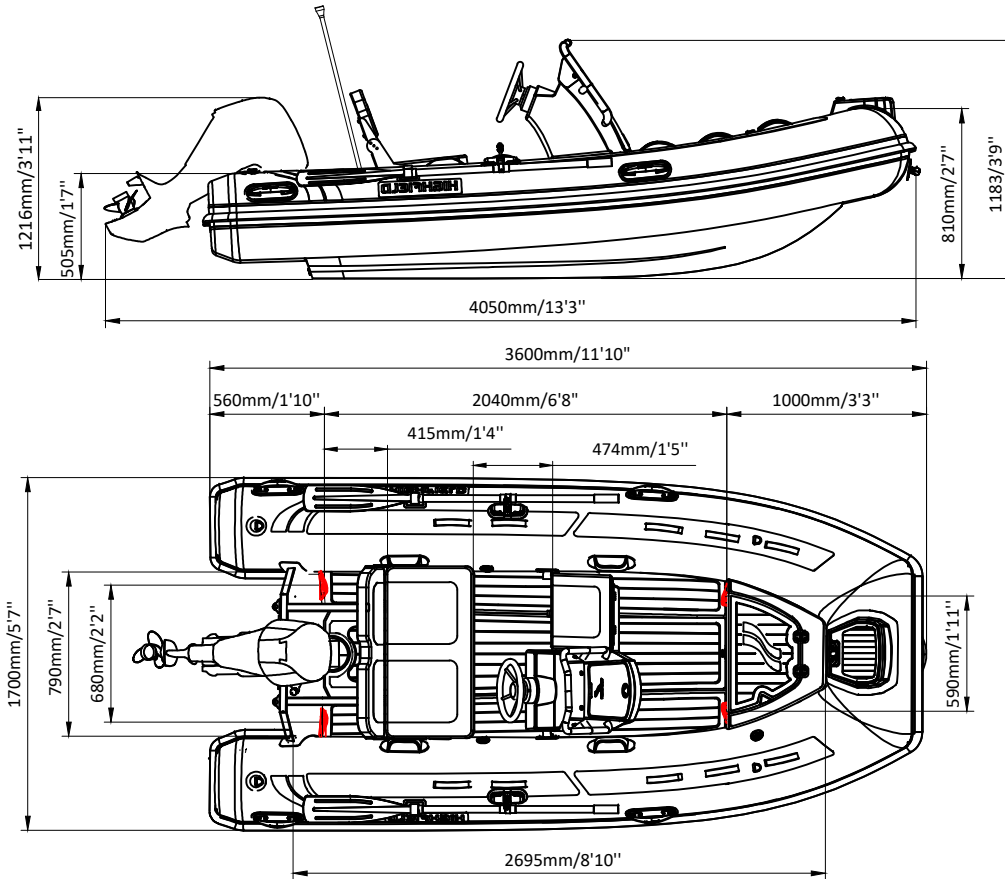


# CLASSIC 360 LS

(Long Shaft)

# SPECIFICATIONS



SPECIFICATIONS AND MAXIMUM CAPACITIES (Subject to change without notice. Tolerances: dimensions ±2.5%, weights ±5%) Note: red means lifting eyes.

MODEL	ISO 6185 PART	ISO 6185	Person		#	Person		Shaft	Outboard Engine				GT CONSOLE		RS7		Oars		Fuel tank Capacity		Wet Weight (Approximate) w 25HP Yamaha (+ 35lbs Tohatsu 30hp)		AIR CHAMBERS	Pressure			
			KG	LB		KG	LB		Max power	Max weight	KG	LB	KG	LB	KG	LB	L	GAL	KG	LB	PSI	BAR					
									KW	HP	KG	LB															
CL360	3	C	561	1237	6	450	992	L	22.38	30	124.1	274	75	165	25.5	56	20.3	44.8	1.5	3.3	/	/	246.4	543.1	3	3.63	0.25

Weight: boat only.