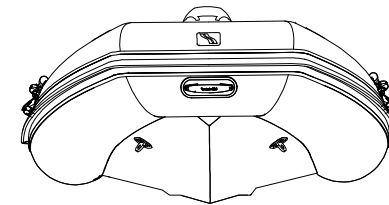
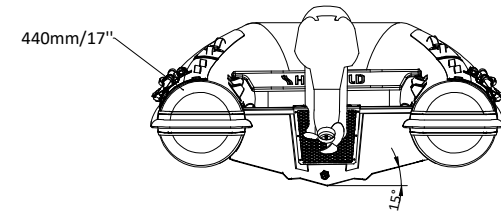
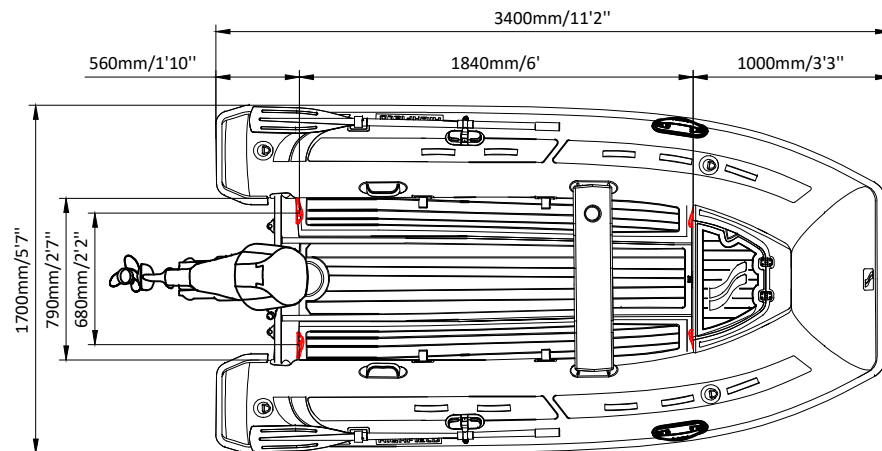
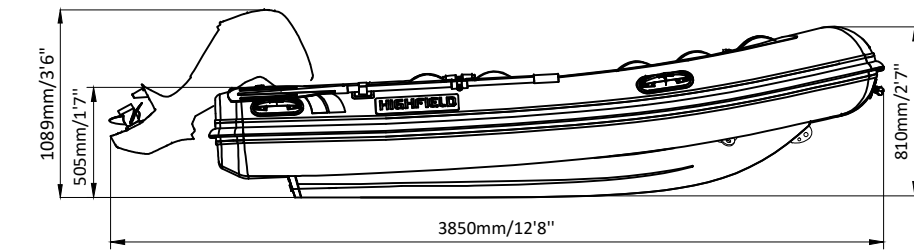


CLASSIC 340

(Short Shaft)

SPECIFICATIONS



SPECIFICATIONS AND MAXIMUM CAPACITIES (Subject to change without notice. Tolerances: dimensions $\pm 2.5\%$, weights $\pm 5\%$) Note: red means lifting eyes.

MODEL	ISO 6185 PART	ISO 6185						Outboard Engine				Molded seat		Oars		/		Fuel tank Capacity		Wet Weight (Approximate) 20HP (14.92KW)		AIR CHAMBERS					
			KG	LB	#	KG	LB	Shaft	Max power		Max weight		KG	LB	KG	LB	/	/	L	GAL	KG		LB	PSI	BAR		
									KW	HP	KG	LB															
CL340	3	C	551	1215	6	450	992	S	18.65	25	104.5	230	71	157	3	6.6	1.5	3.3	/	/	/	/	180	397	3	3.63	0.25

Weight: boat only.