

A

B

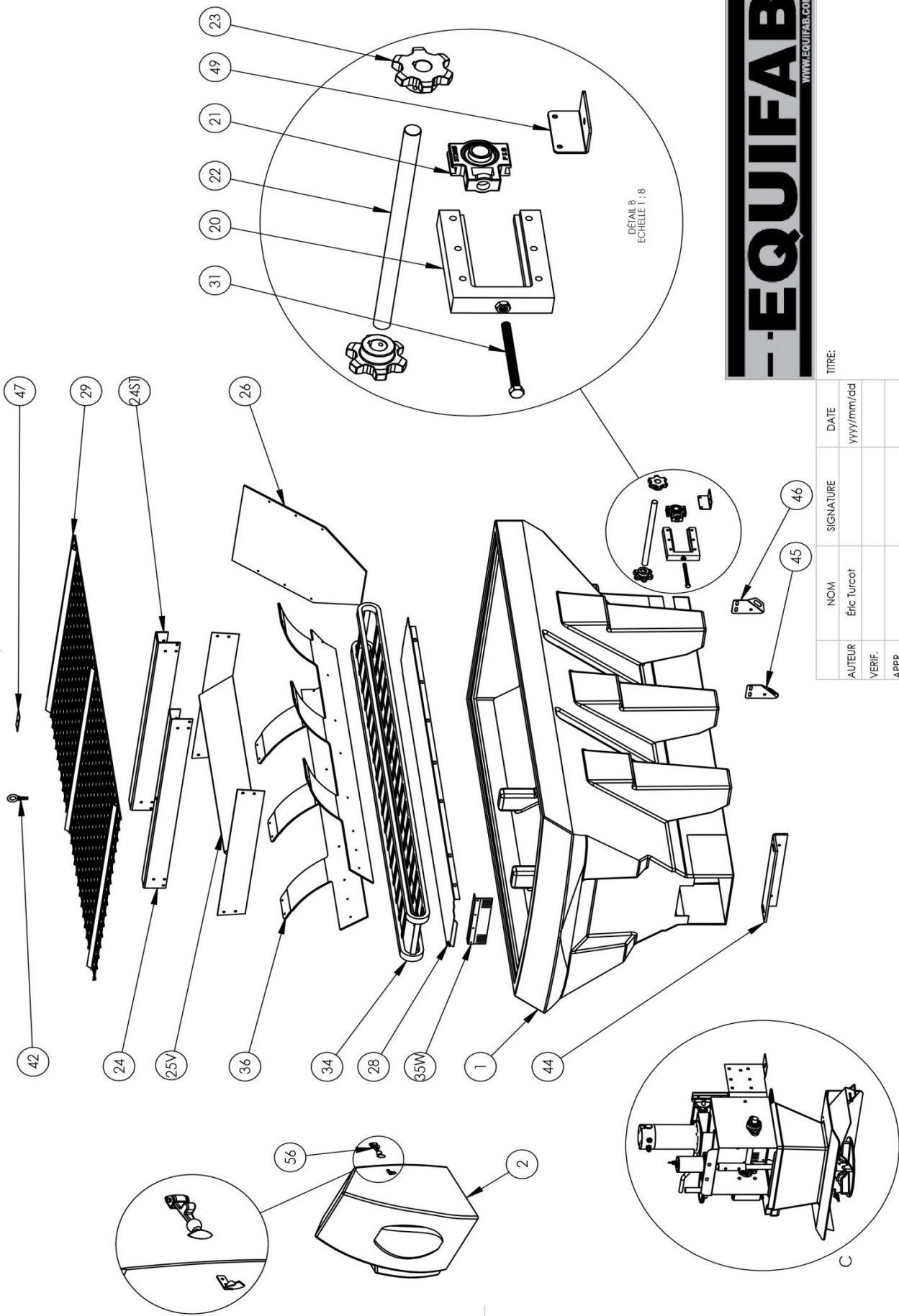
C

A

B

C

D



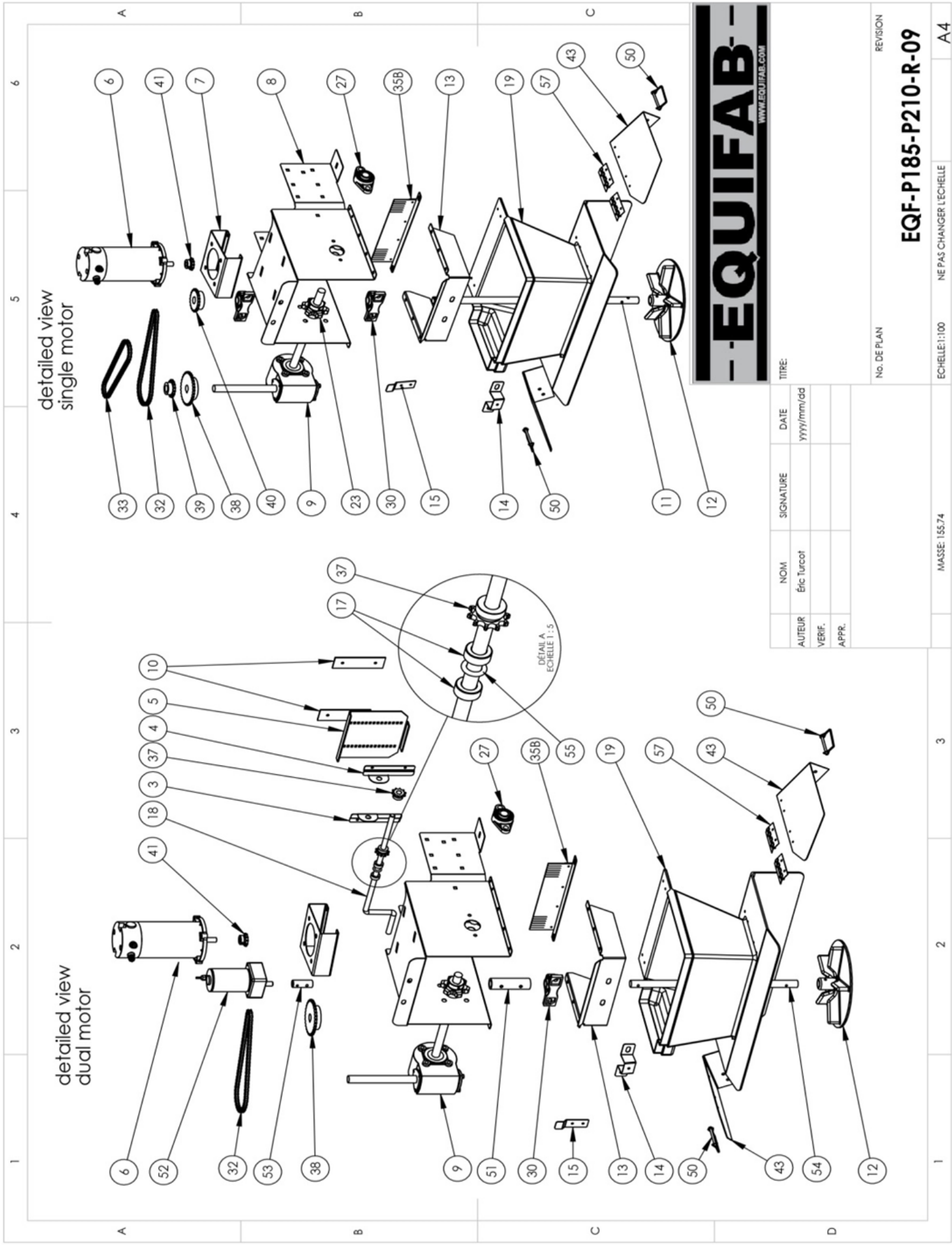
DETAIL B
ECHELLE 1 : 8



TITRE:		DATE	
NOM		SIGNATURE	
AUTEUR	Eric Turcot		
VERIF.			
APPR.			

No. DE PLAN		REVISION	
EQF-P185-P210-R-09			
ECHELLE: 1:00		NE PAS CHANGER L'ECHELLE	
MASSE: 508.17		A4	

detail view on next page



detailed view
single motor

detailed view
dual motor



NOM	SIGNATURE	DATE	TITRE
AUTEUR Éric Turcot		yyyy/mm/dd	
VERIF.			
APPR.			

REVISION

EQF-P185-P210-R-09

NE PAS CHANGER L'ECHELLE

A4

No. DE PLAN

ECHELLE: 1:100

NE PAS CHANGER L'ECHELLE

MASSÉ: 155.74

3

1

2

3

4

5

6

Component

ITEM	DESCRIPTION	PART
1	Polyethylene hopper	P001
2	Rear cover	P002
3	Door slide right	PS003
4	Door slide left	PS004
5	Flow Gate	PS005
6	Motor	PS006
7	Motor support	PS007
8	Rear support (st/st)	P008
9	Gear box	PS009
10	UHMW gliders	PS010
11	Spinner shaft	PS011
12	Spinner disc Rubber	PS012-RB
13	Chute support	P013
14	Lid support	P014
15	Hood Support	P015
17	Shaft collars (sold in pair unit price)	PS017
18	Door handle	PS018
19	Chute	P019
20	Take-up holders	PS020
21	Take-up bearings	PS021
22	Conveyor shaft	PS022
23	/ Conveyor sprockets	PS023
24	Cross member	P024
24-ST	Cross member stainless	P024-ST
25	Inverted V ass'y	P025
26	Front deflector	P026
27	Flange bearing	P027
28	Conveyor floor 8'	P028-8
28	Conveyor floor 7'	P028-7
29	Top screen (P185)	P029-7
29	Top screen (P210)	P029-8
30	Pillow block	PS030
31	Tensioner Bolt	PS031
32	Motor chain	PS032
33	Spinner chain	PS033
34	Conveyor chain (P185)	PS034-7P
34	Conveyor chain (P210)	PS034-8
35	Wiper (sold in pair unit price)	PS035B - W
36	Side deflector	P036
37	Door sprocket	PS037
38	Motor driven sprocket	PS038
39	Driven sprocket. for spinner	PS039
40	Driven sprocket for spinner	PS040
41	Motor sprocket	PS041
43	Right and left Chute deflector	PS043D - G
44	Stopper for poly spreader	P044
45	Anchor Bracket	P045
46	Anchor Bracket	P046
47	Plate 2" x 4" stainless	PS047
49	Anchor plate	P049
50	Lock pin for deflector	PS050
51	Rubber coupling	PS051
52	Spinner motor	PS052
52	Spinner motor	PS053
53	Stub shaft	TG018
54	Spinner shaft dual motor	PS054
60	Hood latch	P056
61	Reinforcement	PS020B
	Chute bearing Protector	PS-100