



Grapple Attachments



DO NOT USE THIS ATTACHMENT UNTIL YOU HAVE READ AND UNDERSTOOD THIS MANUAL AND THE LOADER'S OPERATOR'S MANUAL. YOU MUST ALSO READ AND UNDERSTAND ALL ASSEMBLY INSTRUCTIONS.

**Grapple
Operator's Manual**

Part # RAL 0112

2/20



Manufacturing Co., LLC

18903 High Point Road
Viola, WI 54664
USA

Table of Contents

- I. Warranty and Reservations
- II. Safety Information
- III. Attachment Setup
- IV. Mounting Instructions
- V. Operation
- VI. Troubleshooting
- VII. Maintenance
- VIII. Parts
- IX. Specifications

E-Mail: Lowe@Loweman.com
Internet: <http://www.Loweman.com>

For more information call:
(608) 538-4000 • Fax (608) 538-3995
888-DIG-LOWE (344-5693)

Warranty and Reservations

This product, when purchased and registered with *LOWE*[®], will carry a warranty against materials and defects for a period of one year from the date of owner's purchase, subject to the exclusions noted. Replacement parts will be warranted for the balance of the applicable warranty period. A warranty form is included in this manual. It must be completed, signed, and mailed to *LOWE*[®] by either the selling dealer or the purchaser.

The customer will be responsible for ensuring the product is used and maintained properly. Notice of any and all apparent defects must be provided within 10 days of discovery and the product must be made available for inspection and repairs at the dealer's place of business. *Dealers must contact LOWE[®] for authorization of any warranty work before undertaking warranty repairs.*

The customer's responsibilities include all costs of normal maintenance, replacement of wear parts, non-warranty repairs, accidents, collision damage, and other repairs resulting from abnormal strain, neglect, or abuse. Specific examples include, but are not limited to, bending or prying with the product, failure to monitor wear, use of contaminated hydraulic fluid, excessive hydraulic flow or pressure, and operation with broken or damaged parts which causes other parts to fail. The customer is also responsible for other incidental costs, such as transportation due to failure.

General Exclusions from Warranty: This warranty applies only to the original owner of the product. It does not apply to products subject to misuse, service other than normal, damage in transit or handling, normal wear, bent or broken metal, or products which in the opinion of *LOWE*[®] have had unauthorized alterations or repair. Any claims for incidental or consequential damages are hereby disclaimed and excluded from this warranty.

LOWE[®] will replace any warrantable parts with original *LOWE*[®] parts. *LOWE*[®] will not pay for freight, excessive labor charges, travel time, or mileage connected with the repair. *LOWE*[®] will also not pay for third party repair or replacement charges.

All claimed defective parts must be returned to *LOWE*[®], freight prepaid, in accordance with the official *LOWE*[®] return policy in effect as of the date of the claim.

This warranty is in lieu of all other warranties, expressed or implied. *LOWE*[®] neither assumes nor authorizes any person or company to assume for it any other obligations or liabilities in connection with *LOWE*[®] products. This warranty gives you specific legal rights and you may also have other rights which vary from state to state.

For Your Records:

Model Number _____ Serial Number _____ Date Purchased _____

Owner's Name _____ E-mail _____

Owner's Address _____

City _____ State _____ Zip _____

Dealer's Name _____ E-mail _____

Dealer's Address _____

City _____ State _____ Zip _____

Dealer's Phone Number _____

LOWE® Warranty Registration

Model No. _____ Serial No. _____ Date Purchased _____

Owner's Name _____ Phone _____

PLEASE PRINT

Owner's Address _____ E-mail _____

City _____ State _____ Zip _____

Dealer's Name _____

Dealer's Address _____ E-mail _____

City _____ State _____ Zip _____

Dealers:

I have assembled, installed and performed the necessary pre-delivery service work and given the customer necessary instructions and Operator's Manual as listed below:

_____ Equipment has been completely assembled as per directions
_____ Equipment has been functionally tested for proper operation
_____ Purchaser has been instructed in proper operation

- _____ Operator's Safety Precautions
- _____ Hydraulic System & Equipment Controls
- _____ Hydraulic System Oil Level
- _____ Proper Operation
- _____ Removal
- _____ Installation
- _____ Proper Use of Equipment Attachments
- _____ Lubrication - Service - Care
- _____ Storage

_____ Warranty Coverage & Operator's Manual explained to purchaser
_____ Purchaser has been given Operator's Manual

Dealer's Signature _____ Date _____

PURCHASERS:

This equipment has been delivered to me in good condition and I have been instructed in proper operation, safe operation, preventative maintenance, warranty, and other important points as shown above.

_____ Acceptance of equipment fully assembled and in good condition
_____ Receipt of Operator's Manual
_____ Understanding Warranty
_____ Receipt of instructions on proper and safe operations

Owner's Signature _____ Date _____

Type of Use: _____

Reason you purchased this equipment: _____

Other brands considered: _____

Type of operation: _____

To validate warranty, this page must be returned to:
Lowe Manufacturing Co., LLC Inc., 18903 High Point Road, Viola, WI
54664

II SAFETY INFORMATION

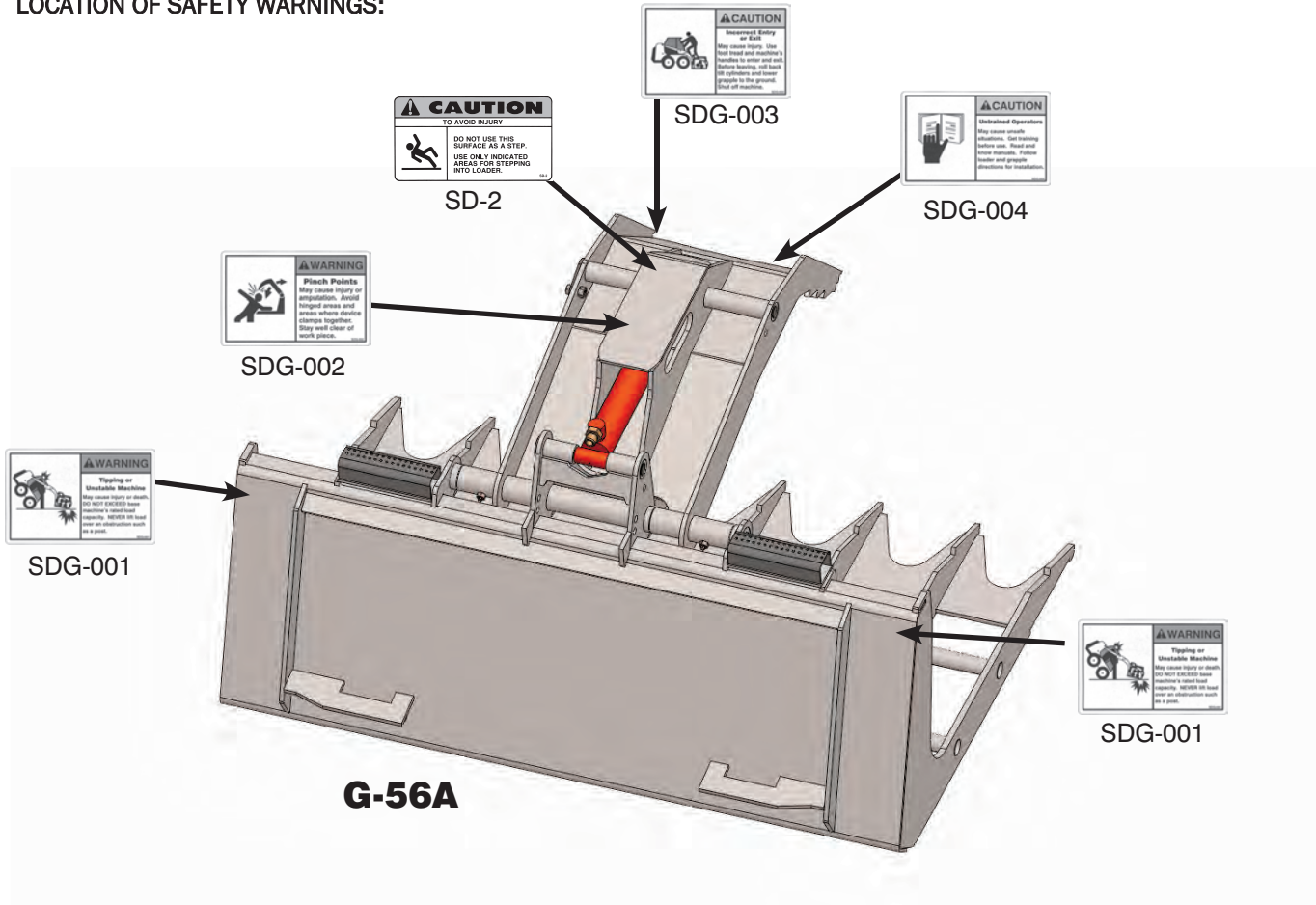


The Safety Alert Symbol is used in this manual to highlight messages where your safety is involved. When you see it, give that information extra attention.

The following signal words carry a high degree of importance and have specific meanings. Disregarding their importance could affect your health and safety.

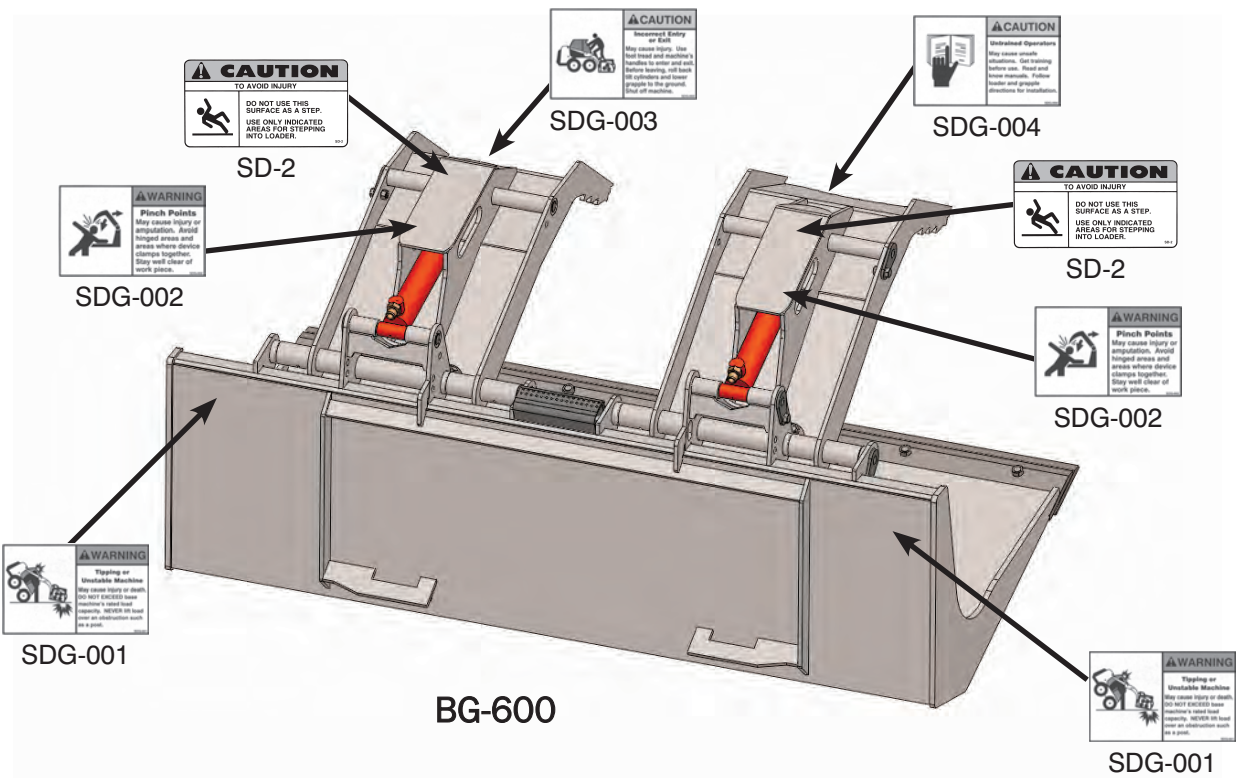
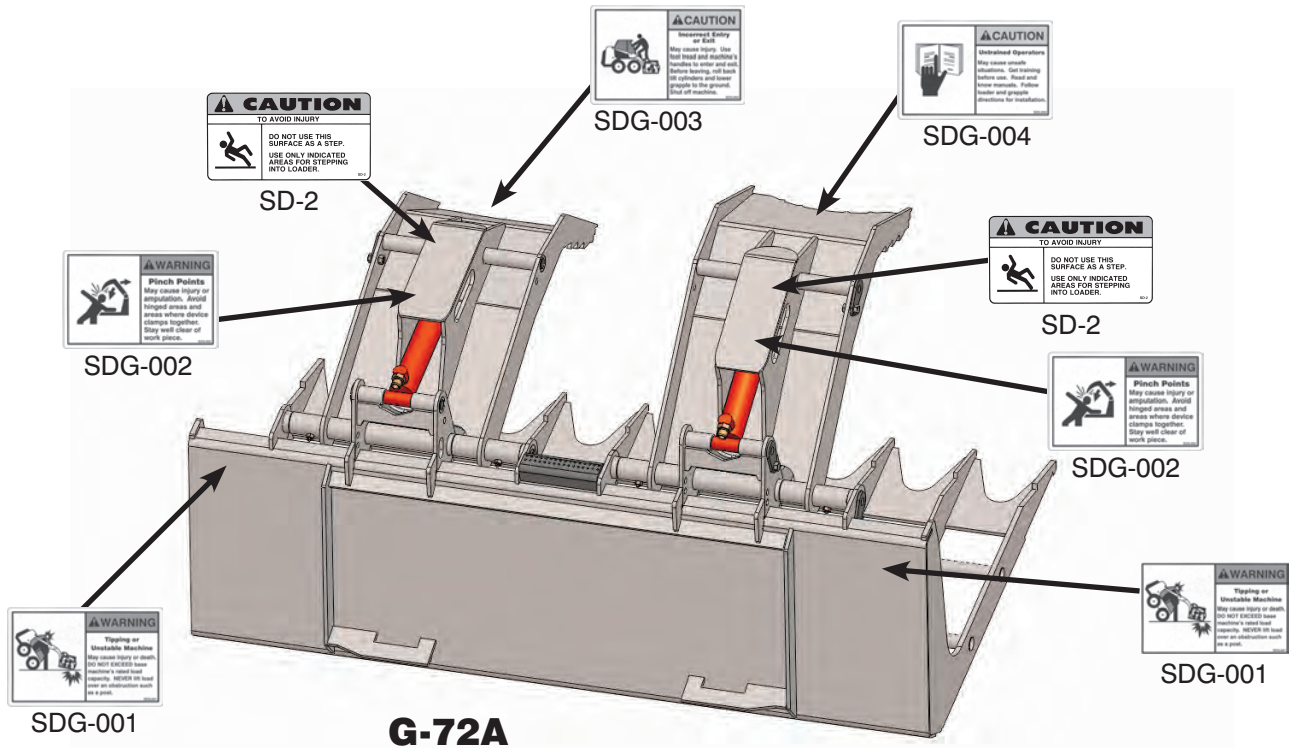
- Danger:** Describes the most serious potential hazards, including potential death.
- Warning:** The personal safety of the operating personnel or other persons may be involved. Disregarding this information could result in serious injury.
- Caution:** General reminders of good safety practices or to direct attention to unsafe practices.
- Note:** This is special information that may make operations and maintenance easier, or make instructions more clear

LOCATION OF SAFETY WARNINGS:



Replacement Safety Decals

Worn, damaged, or missing safety labels should be replaced. New labels may be obtained from **LOWE®**. Labels are listed above with specific part numbers.



Safe Operation:

Are you a safe operator? Consider the following:

- Have you received proper training for the task at hand?
- Do you understand the written instructions and safety labeling?
- Did you check the rules and regulations at your work site?
- Do you know the location of any underground utilities?
- Will you keep other people away from the work area?
- Do you know the weight and characteristics of the material you are handling?
- Will you make certain you stay away from excessive slopes that cause tipping?
- Are you wearing proper work clothing and safety equipment?
- Are you free of the influence of drugs or alcohol?
- Are you free from the use of prescription drugs that affect safe operation?

Obligations and Usage:

This product is intended to be used only under the guidelines of this manual and relevant literature published by **LOWE®**. It is the owner and/or operator's obligation to ensure this product is operated only for its intended uses. Operation contrary to the guidelines set forth may cause breakage of the equipment and create serious safety issues.

III ATTACHMENT SETUP

Your new grapple comes completely assembled from the factory. Once the auxiliary attachment hoses and couplers are installed, the grapple is ready for operation.

However, some items may become loose during shipping or use. The following checklist should be thoroughly completed each time before the grapple is used.



Shut off power, relieve hydraulic pressure, and disconnect auxiliary hoses before inspection.

1. _____ The loader and grapple mounting interface is properly secured and all levers and/or pins are properly locked into proper position.
2. _____ The two attachment hoses that run from the loader's auxiliary connections to the grapple are tight and secure. Make certain the hoses are long enough to operate within the full range of movement allowed by the loader's arms.
3. _____ Ensure that all hoses, fittings, and couplers are fully tightened to avoid leaks.
4. _____ All nuts, bolts, and other hardware are tightened securely.
5. _____ All controls operate freely and in the correct manner.
6. _____ The operator has been trained in the proper operation of the grapple.

IV MOUNTING INSTRUCTIONS

In addition to the information contained in this manual, your loader's Operator's Manual should contain information on how to correctly install attachments on that particular machine. Consult that manual as well to make certain you fully understand how to correctly and safely install the attachment.

1. Connect the grapple to your loader's attachment mounting system.
Make certain that all pins and/or levers are fully secured and locked into position.
2. Connect the two attachment hoses to the loader's auxiliary system and tighten securely. Inspect to ensure there is enough hose length to allow necessary operation of the loader's arms.
3. Test the operation of the grapple for necessary freedom of movement and safe operation.
4. Carry attached grapple as low as possible and begin work.

Removing the grapple from the loader:

1. Roll the loader's arms back and lower the grapple to the ground.
2. Stop the loader's engine.
3. Using instructions found in the loader's manual, relieve the pressure in the loader's auxiliary hydraulic system.
4. Disconnect the auxiliary hydraulic hoses and couple them together to eliminate contamination.
Keep the hoses away from the loader and grapple.
5. Release the grapple from the loader by opening the locking levers or pins on the loader's attachment mounting plate.
6. Start the loader's engine, tilt the attachment mounting plate slightly forward, and slowly back the loader out of the attachment until it is free from the loader.

V OPERATION

This grapple is intended for use in grabbing and removing loose material from a particular location. It is not intended for digging, prying, pushing, pulling, or other operations that may cause damage or safety concerns.

The grapple is designed to open and load the work material, then use the hydraulic cylinders to securely close on the material. In the closed position, the operator can then transport the work material to another location.

Once at the disposal location, the operator may roll the grapple forward in a dump position, open the grapple, and release the loaded work material into the desired place.



Never dump a load over an obstruction. The loader may tip forward and the obstruction may enter the operator's cab. This may cause serious injury or death.



Avoid tipping. Do not exceed the base machine's rated operating lift capacity and do not operate on side hills or sloping ground where the machine does not have a firm, stable base.



Carry the grapple in a lowered position at all possible times. Raise grapple only as much as needed to dump the grapple's load.



Leaking hydraulic fluid under pressure can penetrate skin or damage eyes. Such leaks may not be visible. Never use a bare hand to find leaks and always wear safety goggles for eye protection. If injected into the skin, such fluid must be removed within a few hours by a doctor familiar with this type of injury.

VI TROUBLESHOOTING



Shut off power, relieve hydraulic pressure, and disconnect auxiliary hoses before servicing.

Symptom	Possible Cause	Action
Grapple does not mount properly	Loader's mounting latches not retracted. Dirt or debris blocking operation.	Retract latches fully. Remove dirt or debris.
Grapple fails to open or close	No auxiliary hydraulic flow. Contamination blocking flow restrictor.	Check auxiliary hose connection. Check hoses and fittings for damage. Check the auxiliary hydraulic flow. Remove hoses and check for blockage.
Jerky	Cold oil or air in lines. Loader hydraulic pump or system.	Give time to warm up. See loader's manual.
Slow	Restriction in lines, couplers, or system. Loader hydraulic pump. Loader hydraulic oil filter. Contamination blocking flow restrictor.	Check with pressure and flow gauge. See loader dealer for service. Remove hoses and check for blockage.
Lack of clamping power	Loader hydraulic pump and pressure. Excessive load. Loader relief valve weak.	See loader dealer for service. Reduce size of load. Check for proper hydraulic pressure.
Wrong direction	Auxiliary hoses reversed.	Re-install properly.
Hydraulic oil leaks	Loose fittings or couplers. Damaged hydraulic hoses.	Tighten or replace as required. Replace as needed.
Leaking cylinders	Excessive system pressure. Worn or damaged cylinder seals. Hydraulic fittings.	Check system pressure. Lower if needed. Replace cylinder or cylinder seals. Tighten or replace as needed.



Leaking hydraulic fluid under pressure can penetrate skin or damage eyes. Such leaks may not be visible. Never use a bare hand to find leaks and always wear safety goggles for eye protection. If injected into the skin, such fluid must be removed within a few hours by a doctor familiar with this type of injury.

VII MAINTENANCE



Shut off power, relieve hydraulic pressure, and disconnect auxiliary hoses before performing maintenance.

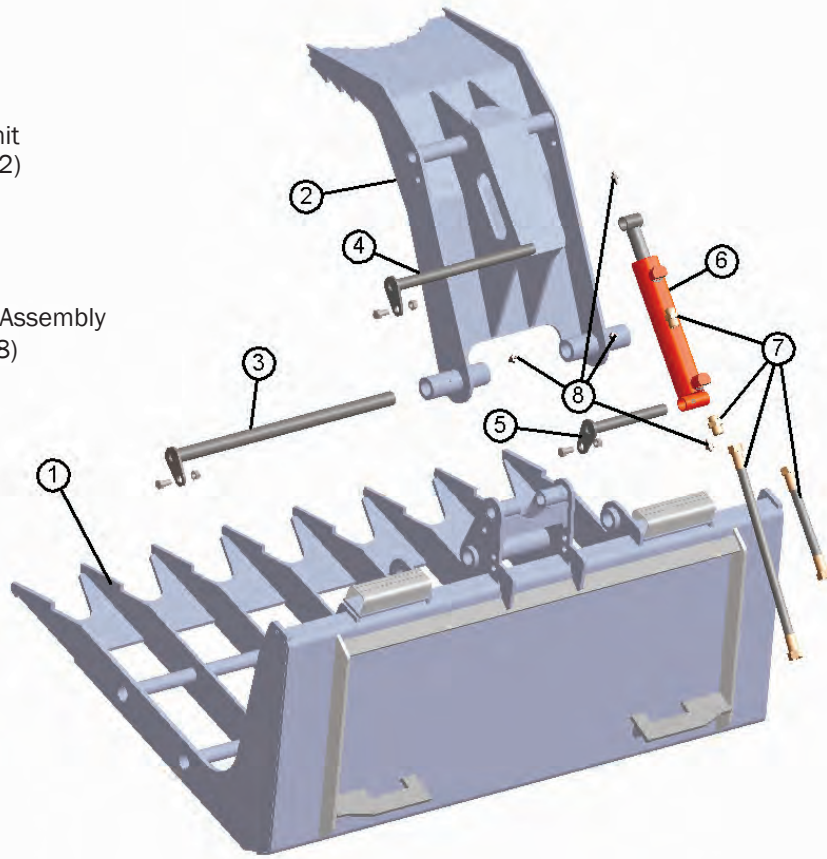
Your *LOWE*[®] grapple requires very little maintenance. However, performing these very few maintenance steps will result in safer and better performance, as well as longer equipment life.

Maintenance Required	Length of Operation	Type of Maintenance
Lubricate pins	Every full work day.	Use grease gun to lubricate grease fittings (8).
Inspect hoses, fittings, and cylinders	Every full work day.	Check and tighten all fittings, couplers, and adapters.
Inspect attachment mounting areas	Every use.	Check mounting holes, flange, and welds for bends, wear, and damage. Repair as needed.

VIII PARTS

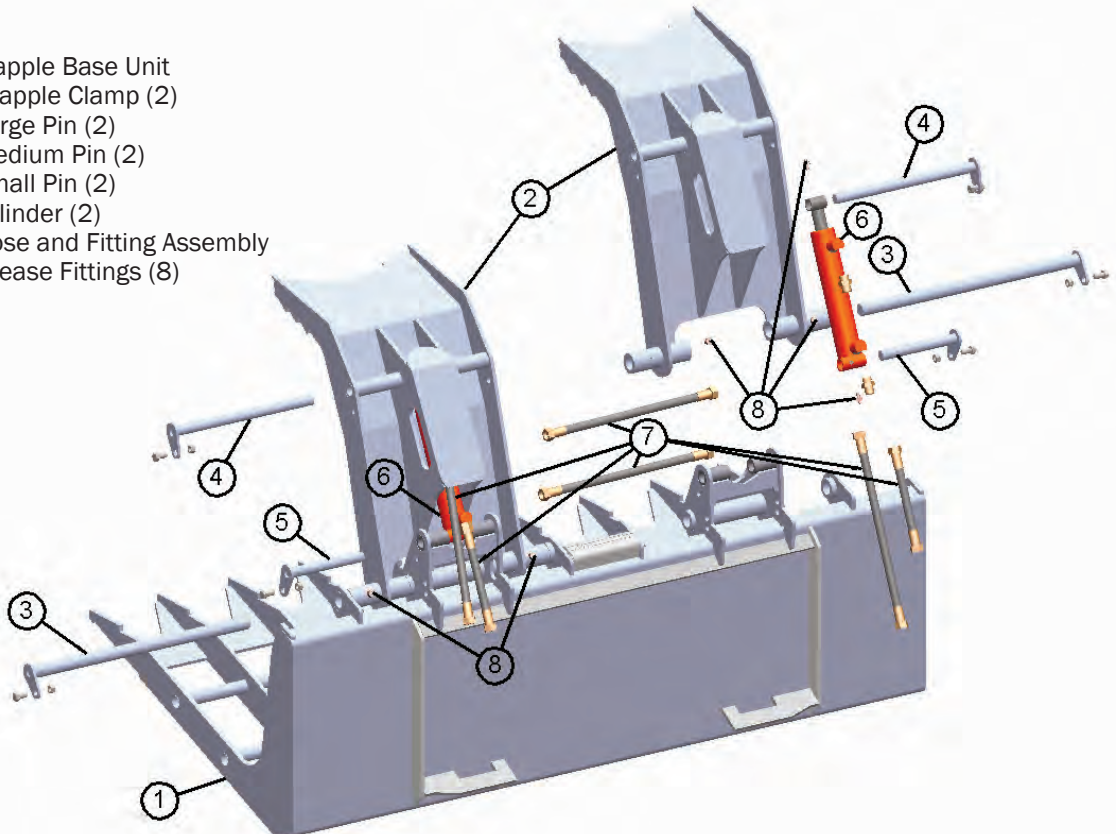
G-56A

- 1) GR-56A Grapple Base Unit
- 2) GR-002 Grapple Clamp (2)
- 3) GR-003 Large Pin (2)
- 4) GR-004 Medium Pin (2)
- 5) GR-005 Small Pin (2)
- 6) GR-006 Cylinder (2)
- 7) GR-7-56A Hose and Fitting Assembly
- 8) GR-008 Grease Fittings (8)



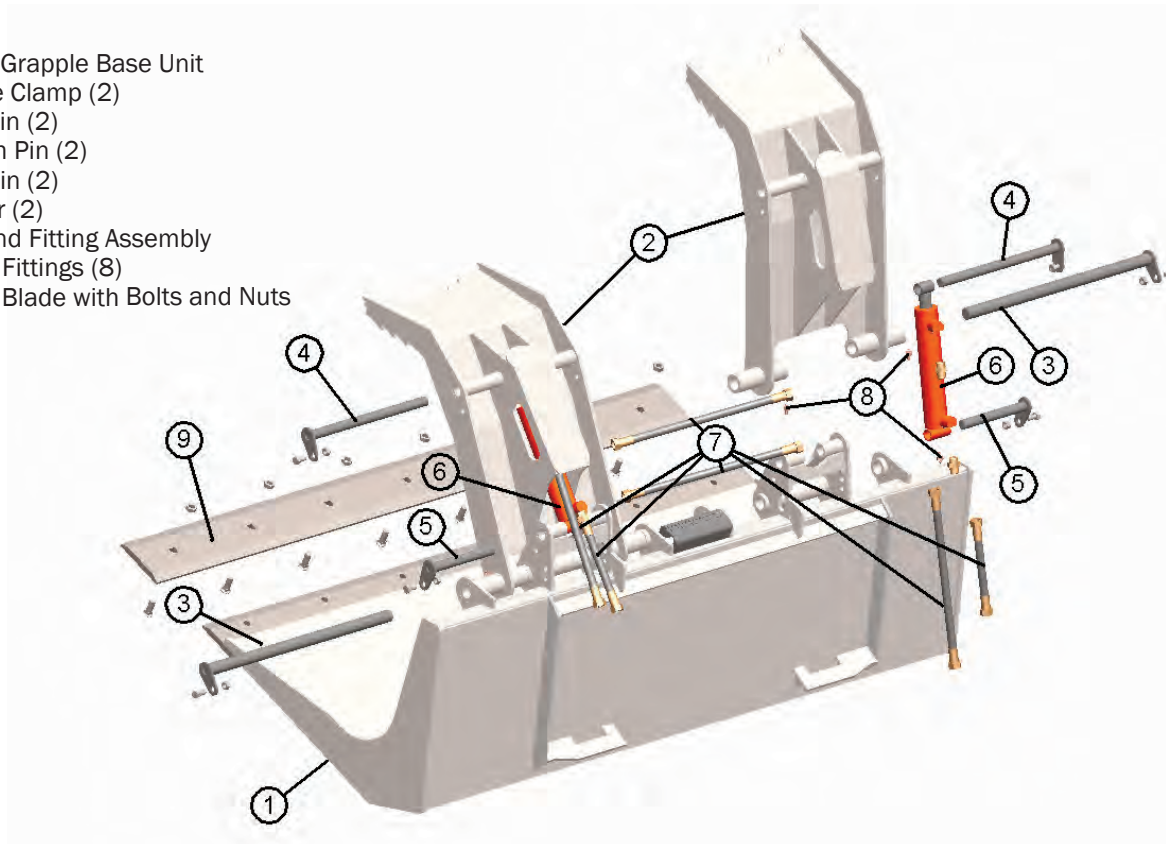
G-72A

- 1) GR-001A Grapple Base Unit
- 2) GR-002 Grapple Clamp (2)
- 3) GR-003 Large Pin (2)
- 4) GR-004 Medium Pin (2)
- 5) GR-005 Small Pin (2)
- 6) GR-006 Cylinder (2)
- 7) GR-007 Hose and Fitting Assembly
- 8) GR-008 Grease Fittings (8)



BG-600

- 1) BG-001 Bucket Grapple Base Unit
- 2) GR-002 Grapple Clamp (2)
- 3) GR-003 Large Pin (2)
- 4) GR-004 Medium Pin (2)
- 5) GR-005 Small Pin (2)
- 6) GR-006 Cylinder (2)
- 7) GR-007 Hose and Fitting Assembly
- 8) GR-008 Grease Fittings (8)
- 9) BG-009 Cutting Blade with Bolts and Nuts



IX SPECIFICATIONS

G-56A

Weight (approximate) without attachment hoses.	483 lbs.	219 kg.
Width of grapple.	56 in.	1,422 mm.
Depth of grapple.	40 in.	1,016 mm.
Maximum height of grapple (closed).	28 in.	711 mm.
Maximum height of grapple (open).	44 in.	1,118 mm.
Maximum opening gap.	40 in.	1,016 mm.

G-72A

Weight (approximate) without attachment hoses.	684 lbs.	310 kg.
Width of grapple.	72 in.	1,829 mm.
Depth of grapple.	40 in.	1,016 mm.
Maximum height of grapple (closed).	28 in.	711 mm.
Maximum height of grapple (open).	44 in.	1,118 mm.
Maximum opening gap.	40 in.	1,016 mm.

BG-600

Weight (approximate) without attachment hoses.	863 lbs.	391 kg.
Width of grapple.	72 in.	1,829 mm.
Depth of grapple.	38 in.	965 mm.
Maximum height of grapple (closed).	30 in.	762 mm.
Maximum height of grapple (open).	46 in.	1,168 mm.
Maximum opening gap.	42 in.	1,067 mm.