



# PRESSURE WASHER BREAKDOWN

B389HA

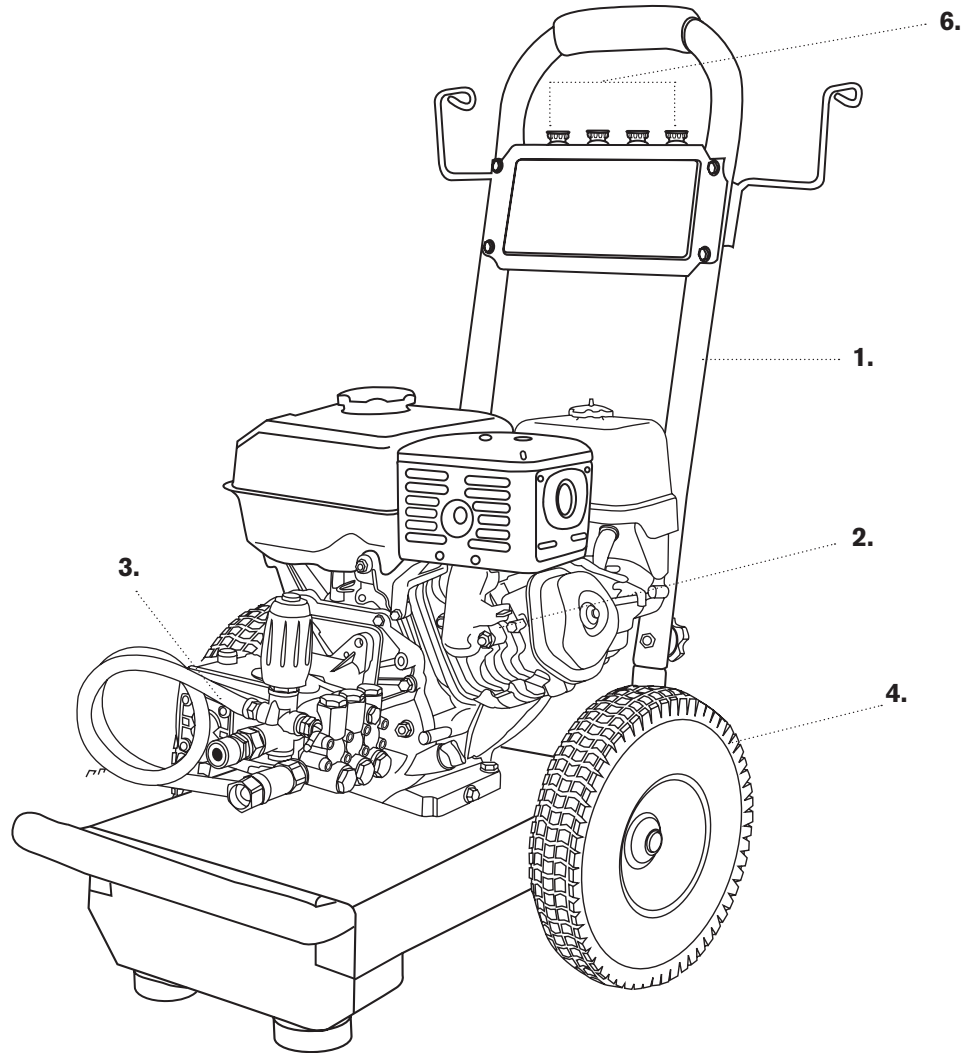
---



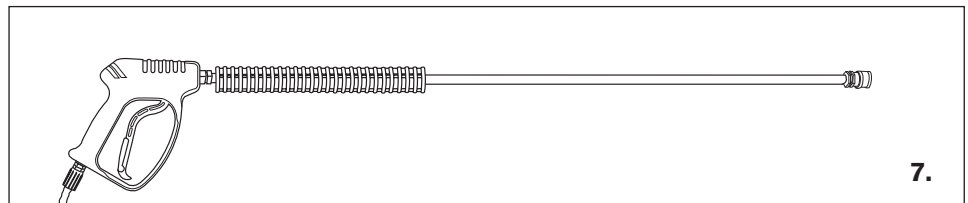
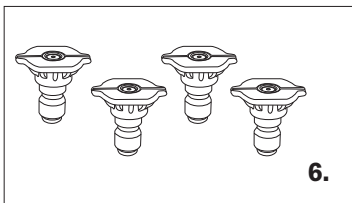
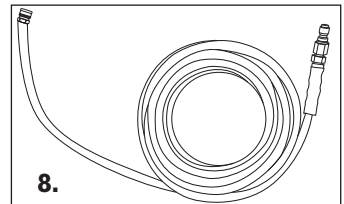
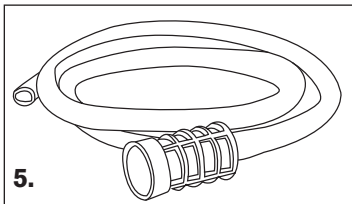


# PRESSURE WASHER BREAKDOWN

B389HA



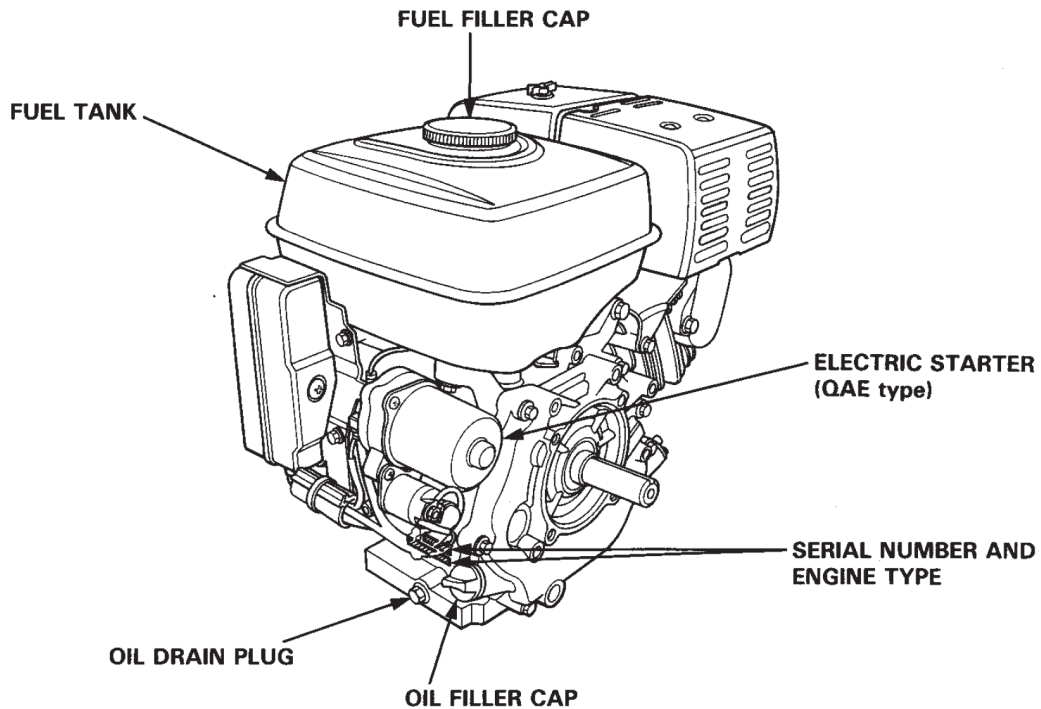
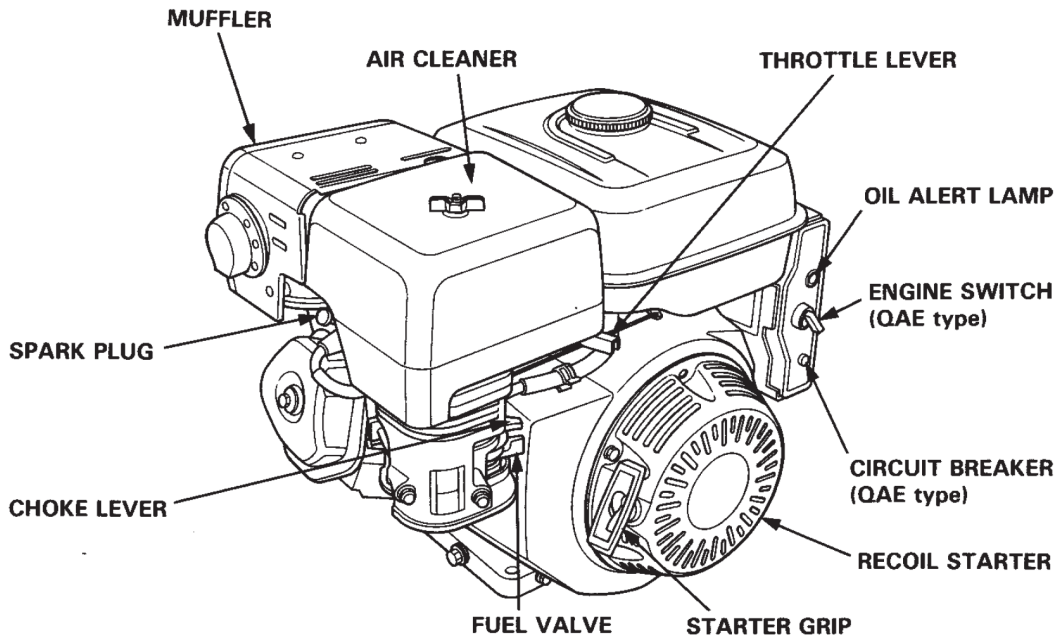
| REF # | DESCRIPTION          | PART #         |
|-------|----------------------|----------------|
| 1     | Frame                | 85.600.125     |
| 2     | Engine - Honda GX270 | Not For Resale |
| 3     | Pump - RSV3G38D      | 85.129.046     |
| 4     | Wheels               | 85.660.050BFS  |
| 5     | Soap Hose            | 85.400.005     |
| 6     | Nozzle Set           | 85.210.035     |
| 7     | Gun with Assembly    | 85.205.026     |
| 8     | Hose 50' x 3/8"      | 85.238.153     |





# PRESSURE WASHER BREAKDOWN

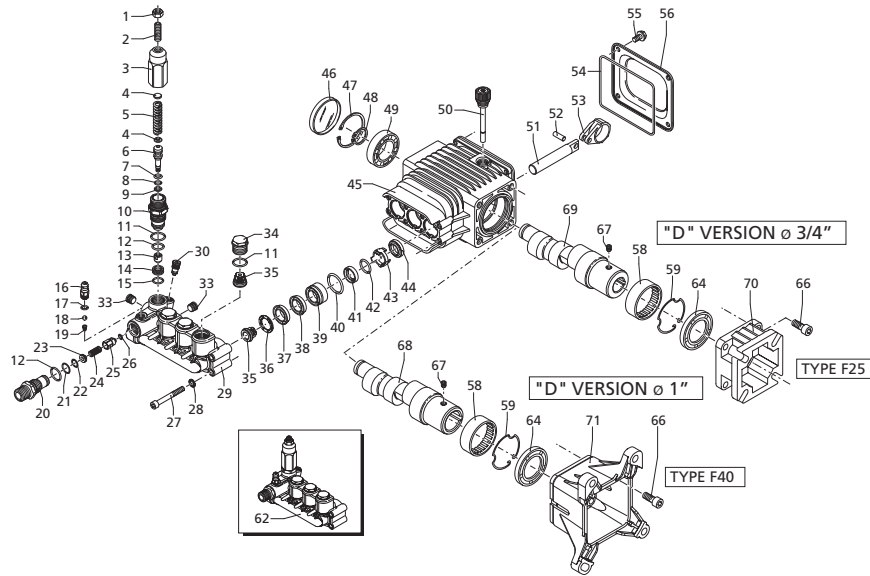
B389HA



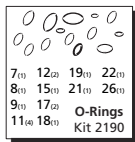
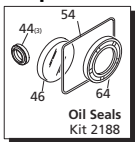
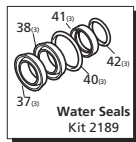


# PRESSURE WASHER BREAKDOWN

## B389HA



### Repair Kits



| Pos | Code    | Description               | Qty.           | Pos | Code    | Description                     | Qty.         | Pos                         | Code  | Description          | Qty. |
|-----|---------|---------------------------|----------------|-----|---------|---------------------------------|--------------|-----------------------------|---|----------------------|------|
| 1   | 1980300 | Nut M6                    | 1              | 39  | 1981570 | Piston guide                    | 3            |                             | AR64516   | Oil                  | 1    |
| 2   | 2760420 | Grub screw M6x12          | 1              | 40  | 770260  | O-Ring ø23.52x1.78              | 3            |                             |   | OIL CAPACITY - 16 oz |      |
| 3   | 1980540 | Unloader knob             | 1              | 41  | 1260440 | Gasket                          | 3            | <b>Special Parts / Kits</b> |   |                      |      |
| 4   | 1980220 | Spring plate              | 2              | 42  | 640070  | O-Ring ø13.95x2.62              | 3            |                             |   |                      |      |
| 5   | 2760410 | Spring                    | 1              | 43  | 2760310 | Spacer                          | 3            | 42304                       | EZ Start assembly                                     | 1                    |      |
| 6   | 2760400 | Valve piston              | 1              | 44  | 1260460 | Oil seal                        | 3            | 2186                        | Valve kit - up to 3200 PSI                            | 1                    |      |
| 7   | 2260100 | O-Ring ø6.02x2.62         | 1              | 45  | 2760010 | Pump body                       | 1            | 42302                       | Valve kit - above 3200 PSI                            | 1                    |      |
| 8   | 660190  | O-Ring ø6.07x1.78         | 1              | 46  | 1266740 | Bearing cap                     | 1            | 2280                        | Unloader kit up to 3200 PSI<br>no knob with seat      | 1                    |      |
| 9   | 2760210 | Ring                      | 1              | 47  | 1260790 | Circlip øi52                    | 1            | 42369                       | Unloader kit above 3200 PSI<br>no knob with seat      | 1                    |      |
| 10  | 2760050 | Piston guide              | 1              | 48  | 1780550 | Snap ring                       | 1            | 42128                       | Unloader kit above 3200 PSI<br>with knob without seat | 1                    |      |
| 11  | 1200690 | O-Ring ø15.6x1.78         | 4              | 49  | 2760340 | Bearing                         | 1            | 42129                       | Unloader kit above 3200 PSI<br>with knob with seat    | 1                    |      |
| 12  | 394280  | O-Ring ø12.42x1.78        | 2              | 50  | 1780490 | Bearing                         | 1            | 42527                       | Complete manifold with EZ start                       | 1                    |      |
| 13  | 2260070 | By-pass jet               | 1              | 51  | 880130  | Oil cap                         | 1            | 2769201                     | Complete manifold non EZ start                        | 1                    |      |
| 14  | 2760090 | Seat                      | 1              | 52  | 2760040 | Piston                          | 3            | 2761050                     | Bare manifolds with EZ start                          | 1                    |      |
| 15  | 770140  | O-Ring ø11.11x1.78        | 1              | 53  | 1780050 | Piston pin                      | 3            | 2760330                     | Bare manifolds non EZ start                           | 1                    |      |
| 16  | 1982520 | Hose nipple               | 1              | 54  | 1780040 | Con rod Aluminum                | 1            |                             |   |                      |      |
| 18  | 1250280 | Ball                      | 1              | 55  | 1780710 | Con rod Bronze                  | 3            |                             |   |                      |      |
| 19  | 1560520 | Spring                    | 1              | 56  | 2760280 | O-Ring ø101.27x2.62             | 1            |                             |   |                      |      |
| 20  | 2760230 | Detergent injector 3/8" G | 1              | 57  | 802190  | Bolt M6x12                      | 4            |                             |   |                      |      |
| 21  | 2760270 | O-Ring ø12x1              | 1              | 58  | 2760110 | Rear cover                      | 1            |                             |   |                      |      |
| 22  | 1470210 | O-Ring ø9x1               | 1              | 59  | 2760350 | Bearing                         | 1            |                             |   |                      |      |
| 23  | 2760120 | Injector insert           | 1              | 60  | 1321190 | Bearing                         | 1            |                             |   |                      |      |
| 24  | 2760200 | Spring                    | 1              | 61  | 1321080 | Snap ring                       | 1            |                             |   |                      |      |
| 25  | 2760130 | Jet                       | 1              | 62  | 2769201 | Complete pump head w/o EZ start | 1            |                             |   |                      |      |
| 26  | 1460430 | O-Ring ø4x2.5             | 1              | 62  | 2769209 | Complete pump head EZ-start     | 1            |                             |   |                      |      |
| 27  | 801080  | Bolt M6x50                | (92 in/lbs) 8  | 64  | 480671  | Oil seal                        | 1            |                             |   |                      |      |
| 28  | 1381550 | Lockwasher                | 8              | 66  | 180030  | Bolt M8x20                      | 4            |                             |   |                      |      |
| 29  | 2760020 | Head - w/o EZ-start       | 1              | 67  | 820440  | Set screw M6                    | 1            |                             |   |                      |      |
|     | 2761050 | Head - Bare EZ-start      | 1              | 68  | 1780340 | Hollow shaft ø1"                | 1            |                             |   |                      |      |
|     | 2760330 | Head - Bare w/o EZ-start  | 1              | 69  | 1780920 | Hollow shaft ø1"                | 1            |                             |   |                      |      |
| 30  | 2760630 | EZ-start plug             | 1              | 70  | 1780330 | Hollow shaft ø1"                | 1            |                             |   |                      |      |
| 33  | 2760260 | Plug 1/4" G               | 2              | 71  | 1780590 | Hollow shaft ø3/4"              | 3GPM #9 1    |                             |   |                      |      |
| 34  | 2760180 | Plug                      | (442 in/lbs) 3 |     | 1780600 | Hollow shaft ø3/4"              | 2.5GPM #10 1 |                             |   |                      |      |
| 35  | 2769050 | Complete valve            | 6              |     | 1780580 | Flange F25                      | 1            |                             |   |                      |      |
| 36  | 2760220 | Support ring              | 3              |     | 2760290 | Flange F40                      | 1            |                             |   |                      |      |
| 37  | 1342761 | Gasket                    | 3              |     |         |                                 |              |                             |   |                      |      |
| 38  | 1981580 | Ring                      | 1              |     |         |                                 |              |                             |   |                      |      |

| Legend |           |       |           |
|--------|-----------|-------|-----------|
| ø 15   | For ▽     | For □ | For ▽     |
| For ▽  | RSV2.5G25 | For □ | RSV3G25   |
| For ▽  | RSV3G30   | For ▽ | RSV3.5G35 |
| For ▽  | RSV3G34   | For □ | RSV4G30   |
| For ▽  | RSV3G35   | For ▽ | RSV4G35   |
|        |           | For □ | RSV4G40   |