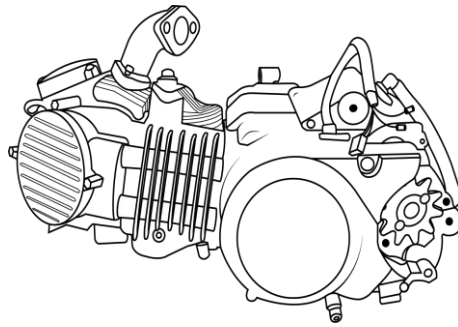




ENGINE# 5060501

ENGINE# 5060703

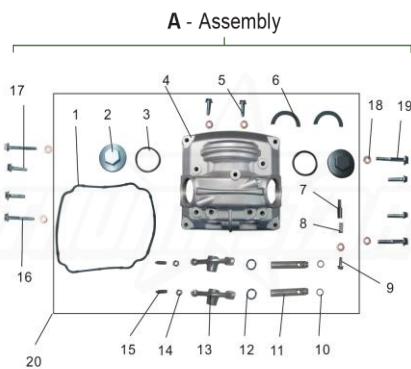
# TY150-250 ENGINE



thumpstar.com.au  
thumpstar.co.nz  
thumpstarusa.com

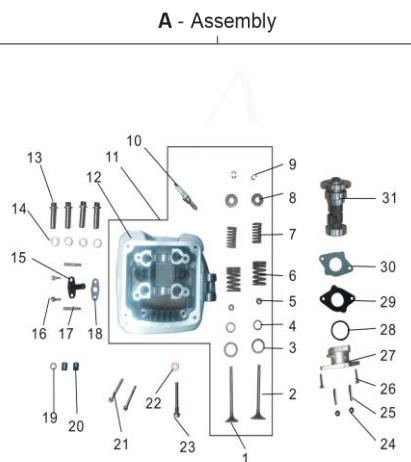
FOR ILLUSTRATION ONLY

## CYLINDER HEAD COVER ASSEMBLY



POS.	PART NO	ERP CODE	ENGLISH NAME	QTY	NAME
A	TS0053		Complete Assembly		
1			TY cylinder head cover oil seal	1	TY缸头盖油封
2			TY valve compartment cover	2	TY气门室盖
3			35 x 3 VI	2	O环35x3 VI
4			TY integral cylinder head cover	1	TY一体式缸头盖
5			M6 x 18 hex flange bolts (with TY ma	2	M6x18六角法兰螺栓 (带TY标识)
6			"C" type retaining ring	2	"C"型挡圈
7			thimble	1	顶针
8			Thimble spring	1	顶针弹簧
9			M6 x 12 hex flange bolts (with TY	1	M6x12六角法兰螺栓 (带TY标识)
10			8.6x1.9 o-ring	2	8.6x1.9 O环 (VI)
11			shaft comp. in. rocker arm	2	GN摇臂轴
12			13x18x0.2		波形华司13x18x0.2
13			arm. intake valve rocker	2	TY摇臂
14			nut. adjusting	2	气门调节螺母
15			screw. adjusting	2	气门调节螺钉
16			M6 x 45 hex flange bolts (with TY	2	M6x45六角法兰螺栓 (带TY标识)
17			M6 x 25 hex flange bolts (with TY	4	M6x25六角法兰螺栓 (带TY标识)
18			6 x 12 x 1.5 (copper)	7	华司6x12x1.5 (铜)
19			M6 x 40 hex flange bolts (with TY	2	M6x40六角法兰螺栓 (带TY标识)
20			TY integral cylinder head cover	1	TY一体式缸头盖部装总成

## CYLINDER HEAD ASSEMBLY



POS.	PART NO	ERP CODE	ENGLISH NAME	QTY	NAME
A	TS0054		Complete Assembly		
1			valve. exhaust	1	排气门
2			valve. intake	1	进气门
3			gasket. outer spring	2	气门外弹簧华司
4			circlip	2	气门内弹簧华司
5			oil seal	2	气门油封
6			spring. outer	2	气门外弹簧 (TY125/150专用)
7			spring. inner	2	气门内弹簧
8			retainer. valve spring	2	气门弹簧承盘
9			cotter. valve	4	气门锁夹
10			spark plug. CPR6E	1	GN火花塞
11			Cylinder head assembly	1	缸头部装总成
12			cylinder head	1	TY缸头
13			Hex. Nut M8x40	4	M8x40六角法兰螺帽
14			12x19x2 Washer	1	12x19x2 垫圈(铜)
14			12x19x2 Washer	3	12x19x2 垫圈 (彩)
15			Secondary air supply	1	二次外气导管
16			M6x14	2	法兰螺钉M6x14
17			M6 x 37 double head supple	1	M6x37 双头螺栓
18			Airtight duct seal	1	补气导管密封胶
19			Rectangular ring 8 x 12 x 2.5	1	矩形圈 8x12x2.5
20			8x10	2	定位销8x10
21			M6x45 Hex flange bolt	2	法兰螺栓M6x45
22			ø8.2x16x1.5	1	铜华司ø8.2x16x1.5
23			M8x59	1	TY涨紧系固定螺钉M8x59
24			M6 Hex nut	2	M6六角螺母
25			M6x28 stud bolt	2	M6x28双头螺栓
26			M6x25 Hex bolt	2	M6x25六角螺栓
27			insulator. carburetor	1	化油器接头
28			gasket.insulator	1	化油器接头密封圈
29			Carburetor joint insulation pad	1	化油器接头隔热垫
30			Carburetor joint paper pad	1	化油器接头纸垫
31			camshaft comp	1	TY凸轮轴



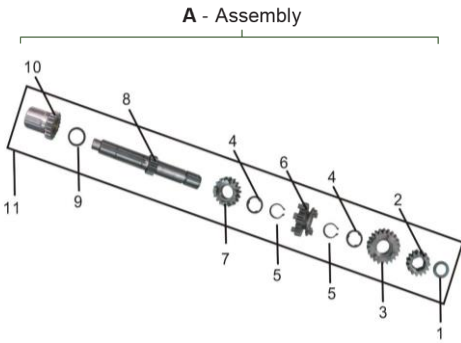
KICK STARTER ASSEMBLY		POS.	PART NO	ERP CODE	ENGLISH NAME	QTY	NAME
		A	TS0059		Complete Assembly		
		1			gear,primary drive	1	离合器外壳组合
		2			washer,spline	1	主轴内花键华司
		3			hub,clutch sleeve	1	离合器分离盘
		4			plate,drive	5	摩擦片
		5			Driven film	4	从动片
		6			disk,pressure	1	离合器中心支架组合
		7			retainer	1	卡环
		8			spring,clutch	5	离合器弹簧
		9			plate,clutch release	1	离合器分离压盘
		10			M6x25 bolt	5	M6x25 法兰螺栓
		11			6001 retainer	1	6001 轴承
		12			rod,release	1	分离导销
		13			rod,release	1	分离挺杆
14				1	离合器内衬		

CRANKCASE ASSEMBLY		POS.	PART NO	ERP CODE	ENGLISH NAME	QTY	NAME
		A	TS0060		Complete Assembly		
		1			φ12 washer,thrust	1	φ12 止推华司
		2			φ16 circlip	1	φ16 挡圈
		3			plate,ratchet guide	1	棘轮导向片组件
		4			spring,kick starter ratchet	1	反冲启动棘轮弹簧
		5			φ16 washer,thrust	1	φ16 止推华司
		6			ratchet,kick starter	1	反冲启动棘轮
		7			φ20 circlip	1	φ20 挡圈
		8			φ20 washer,thrust	1	φ20 止推华司
		9			gear,kick starter	1	反冲启动齿轮
		10			shaft,kick starter	1	反冲启动轴
		11			seat,kick starte spring	1	反冲弹簧座圈
		12			spring,kick starter	1	反冲启动轴弹簧
		13			guide,kick starter shaft	1	反冲启动轴衬套
		14			φ16 washer,thrust	1	φ16 止推华司
15				1	启动轴总成		

PISTON, CONNECTIONG ROD, CRANKSHAFT ASSEMBLY		POS.	PART NO	ERP CODE	ENGLISH NAME	QTY	NAME
		A	TS0061		Complete Assembly		
		1			M6x53 bolt		M6x53 六角螺栓
		2			M8x122 stud bolt,cylinder		M8x122 气缸双头螺栓
		3			crankcase,right		右曲轴箱体
		4			10x14 pin,dowel		10x14 定位销
		5			NK1512 bearing		NK1512 滚针轴承
		6			6006 bearing		6006 滚珠轴承
		7			HK2110 ball bearing		HK2110 滚珠轴承
8			Right box assembly		右箱部装总成		

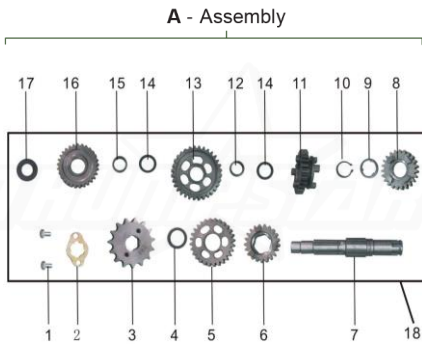
COUNTERSHAFT ASSEMBLY		POS.	PART NO	ERP CODE	ENGLISH NAME	QTY	NAME
		A	TS0062		Complete Assembly		
		1			Crankshaft connecting rod assembly	1	曲轴连杆总成
		2			Active teeth	1	主动齿
		3			Semicircle key	1	半圆键
		4			Piston ring assembly	1	活塞环组件
		5			Piston pin	1	活塞销
		6			Piston pin ring	2	活塞销挡圈
		7			Piston	1	活塞
		8			TY timing active gear	1	TY 正时主动齿轮
		9			6323 bearings	1	6323 轴承
10			Crankshaft assembly	1	曲轴总成		

### DRIVE SHAFT ASSEMBLY



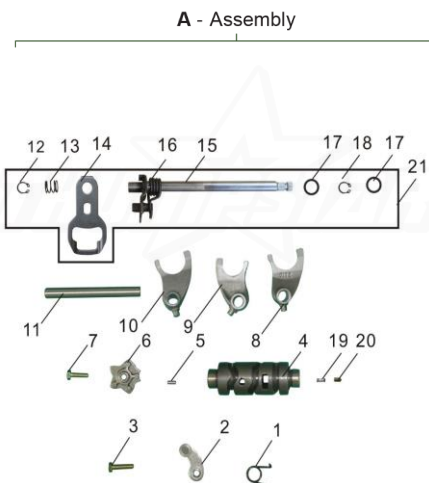
POS.	PART NO	ERP CODE	ENGLISH NAME	QTY	NAME
A	TS0063		Complete Assembly		
1			gasket gear	1	齿轮隔圈
2			gear,2nd drive	1	主轴二档齿轮
3			gear,5th drive	1	主轴五档齿轮
4			washer,spline	2	花键华司
5			φ20 circlip	2	φ20 挡圈
6			gear,4th drive	1	主轴四档齿轮
7			gear,3rd drive	1	主轴三档齿轮
8			countershaft	1	变速器主轴
9			φ21 washer,thrust	1	φ21 止推华司
10			gear,kick starter	1	起动齿轮组件
11				1	主轴总成

### GEAR SHIFT MECHANISM ASSEMBLY



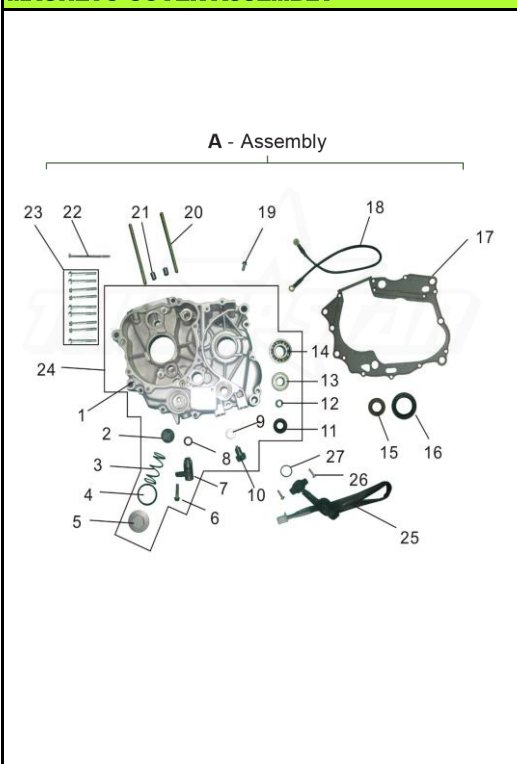
POS.	PART NO	ERP CODE	ENGLISH NAME	QTY	NAME
A	TS0064		Complete Assembly		
1			M6x10 bolt	2	M6x10 六角螺栓
2			washer,lock	1	锁垫固定板
3			sprocket,engine	1	输出链轮
4			shim	1	齿轮隔圈
5			gear,2nd driven	1	副轴二档齿轮
6			gear,5nd driven	1	副轴五档齿轮
7			shaft,drive	1	变速器副轴
8			gear,4th driven	1	副轴四档齿轮
9			washer,spline	1	花键华司
10			φ20 circlip	1	φ20 挡圈
11			gear,3rd driven	1	副轴三档齿轮
12			bush,1st gear	1	副轴一档衬套
13			gear,1st driven	1	副轴一档齿轮
14			φ16.5 washer,thrust	2	φ16.5 止推华司
15			bush,starter idler gear	1	起动惰轮衬套
16			gear,starter idler	1	起动惰轮
17			φ15 washer,thrust	1	φ15 止推华司
18				1	副轴总成

### LEFT CRANKCASE ASSEMBLY



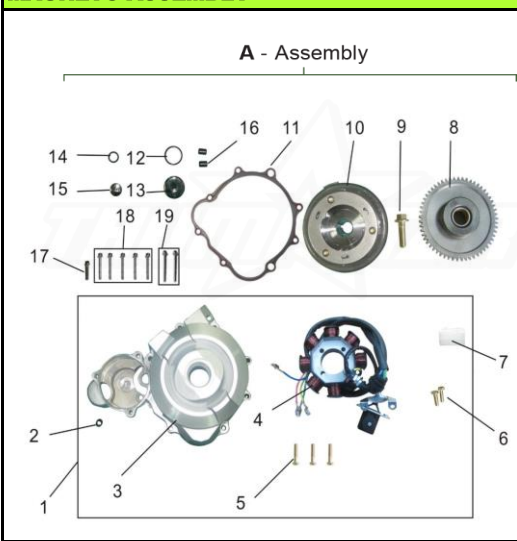
POS.	PART NO	ERP CODE	ENGLISH NAME	QTY	NAME
A	TS0065		Complete Assembly		
1			spring,stopper	1	定位器弹簧
2			stopper,gear shift	1	变档定位器组件
3			M6x20 bolt	1	M6x20 六角螺栓
4			plate,gearshift cam	1	变速鼓
5			4x10 pin	1	4x10 销
6			cam,gear shift	1	变速凸轮组件
7			M6x25 bolt	1	M6x25 六角螺栓
8			fork,gear shift LH	1	左拨叉
9			fork,gear shift MH	1	中拨叉
10			fork,gear shift RH	1	右拨叉
11			shaft,gear shift	1	拨叉轴
12			φ12 circlip	1	φ12 挡圈
13			spring	1	变档板弹簧
14			plate,gear shift	1	变档板
15			shaft,gear shift	1	变档板轴组件
16			spring,return	1	变档轴回位弹簧
17			washer,thrust	2	止推垫圈
18			φ14 circlip	1	φ14 挡圈
19			File spring	1	档显弹簧
20			File contact	1	档显触点
21			Variable shaft assembly	1	变档轴总成

### MAGNETO COVER ASSEMBLY



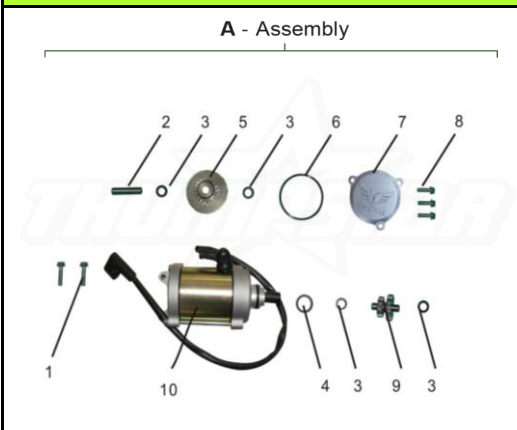
POS.	PART NO	ERP CODE	ENGLISH NAME	QTY	NAME
A	TS0066		Complete Assembly		
1			left crankcase assy	1	左曲轴箱体
2			strainer	1	滤油网
3			spring	1	滤油网弹簧
4			35x3 o-ring	1	35x3 O环
5			cap,strainer	1	滤油网盖
6			M6x25 bolt	1	M6x25 法兰螺栓
7			support	1	推栓固定座
8			13.1x2.5 o-ring	1	13.1x2.5 O环
9			φ12×φ19.7×2 gasket,drain plug	1	φ12×φ19.7×2 垫圈
10			M12x15 plug,drain	1	M12x15 放油螺塞
11			14x28x7 oil seal	1	14x28x7 油封
12			1010 needle roller bearings	1	1010滚针轴承
13			bearing	1	滚动轴承6202
14			Rolling bearings 6204	1	滚动轴承6204
15			20x34x7 oil seal	1	20x34x7 油封
16			34x50x7 oil seal	1	34x50x7 油封
17			gasket,crankcase	1	曲轴箱体垫片
18			cathode line	1	负极线
19			M6x12 bolt	1	M6x12 法兰螺栓
20			M8x130 stud bolt	2	M8x130 气缸双头螺栓
21			10x14 pin,dowel	2	10x14 定位销
22			M6x95 screw	2	M6x95 法兰螺栓
23			M6x50 screw	9	M6x50 法兰螺栓
24			Left box assembly	1	左箱部装总成
25			gearshift switch	1	档显线组件
26			M4x16	2	M4x16扁头十字螺丝
27			10x2x2.2 o-ring	1	档显O环10x2x2.2

### MAGNETO ASSEMBLY



POS.	PART NO	ERP CODE	ENGLISH NAME	QTY	NAME
A	TS0067		Complete Assembly		
1			Left cover assembly	1	左盖部装总成
2			1010 bearing	1	1010轴承
3			cover,magneto	1	左前盖
4			stopper assy	1	定子组合
5			M5x25 bolt	3	M5x25 法兰螺栓
6			M5x16 screw	2	M5x16 六角螺钉
7			Line plug	1	线插
8			gear,starter	1	启动大齿
9			M10x35 bolt	1	M10x35 法兰螺栓
10			rotor assy	1	飞轮组合
11			Left cover gasket	1	左盖垫片
12			13.8x2.5 o-ring	1	13.8x2.5 O环
13			plug	1	14mm小AC盖
14			o ring 27x2.5	1	O环27x2.5
15			plug,cover magneto	1	大AC盖
16			10x14 pin,dowel	2	10x14 定位销
17			M6x25 bolt	1	M6x25 法兰螺栓
18			M6x40 bolt	5	M6x40 法兰螺栓
19			M6x50 bolt	2	M6x50 法兰螺栓

### STARTING MOTOR ASSEMBLY



POS.	PART NO	ERP CODE	ENGLISH NAME	QTY	NAME
A	TS0068		Complete Assembly		
1			M6x28 screw	2	M6x28 法兰螺栓
2			shaft,starter gear	1	电启动齿轮轴
3			washer	4	φ10.5x18x0.5 华司
4			24.5x3 o-ring	1	24.5x3 O环
5			gear,starter	1	电启动齿轮
6			62x3 o-ring	1	62x3 O环
7			cap,starter motor	1	减速齿轮盖
8			M6x20 bolt	3	M6x20 法兰螺栓
9			gear,starter idle	1	电启动惰齿轮
10			motor assy starting	1	起动机总成

