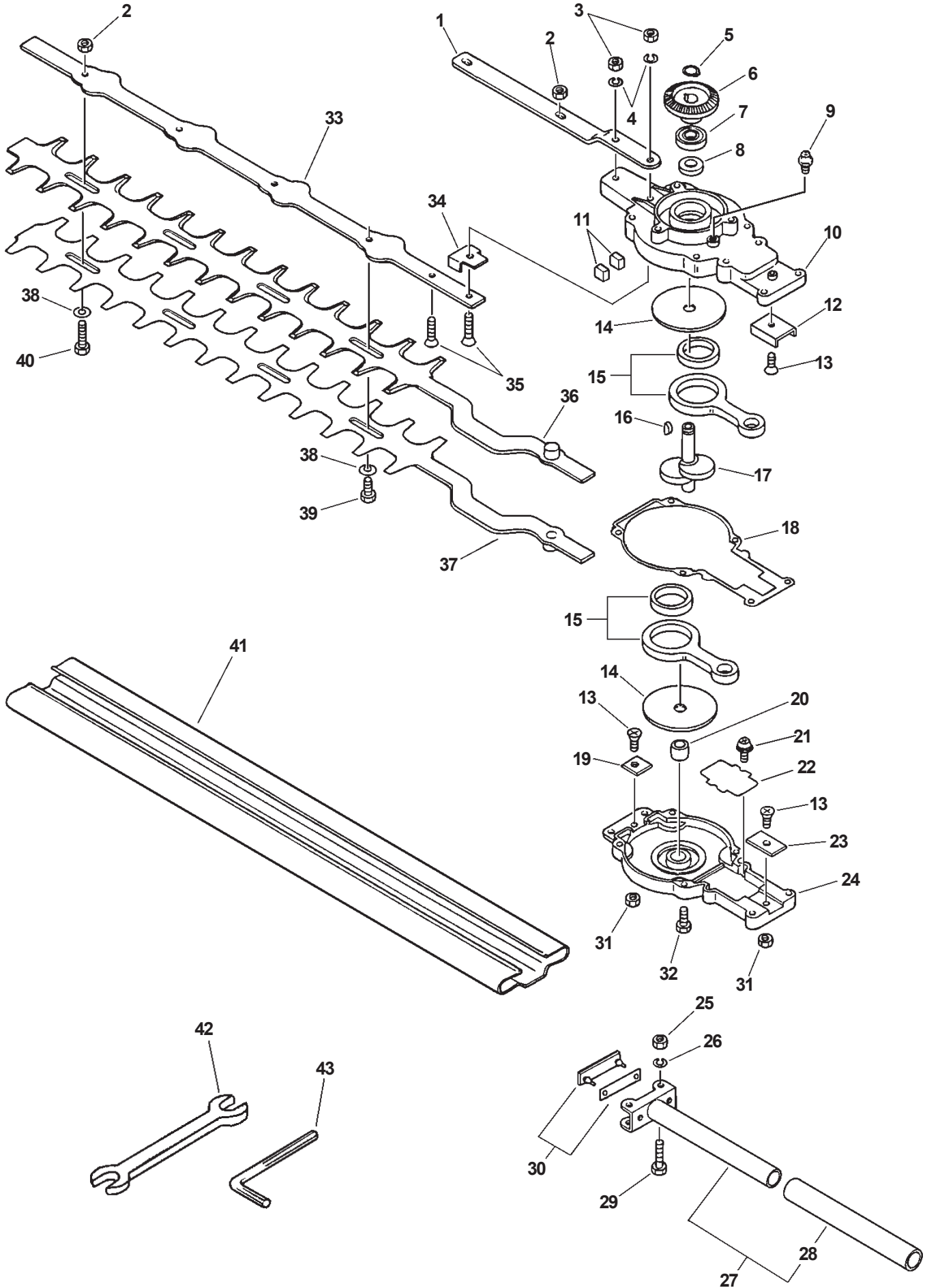


ITEM	PARTNUMBER	QTY	DESCRIPTION	REMARKS
1	89017854331	1	LABEL, CAUTION	
2	89016012360	1	LABEL, CAUTION	
3	X505000530	1	LABEL, CAUTION	
4	C050000060	1	DRIVE SHAFT HOUSING ASY - LOWER	INCLUDES ITEMS 5-6
5	61024644730	2	STOPPER	
6	61021752630	1	LINER, FLEXIBLE - LOWER	
7	C506000000	1	SHAFT, FLEXIBLE	
8	35122301130	1	CAP, MAIN PIPE	
9	90070200022	1	CIRCLIP 22	
10	90070600010	1	CIRCLIP 10	
11	90085806900	1	BEARING, BALL 6900Z	
12	90085506900	1	BEARING, BALL 6900	
13	61031112360	1	GEAR, DRIVE	
14	61041012361	1	CASE, GEAR	
15	90014205035	1	BOLT 5X35	
16	17801312360	1	SPRING, THROTTLE LOCK	
17	90060300005	1	WASHER 5	
18	90016205014	1	BOLT 5X14	
19	P021000850	1	LATCH RESETTER SET	INCLUDES ITEMS 20-21
20	61047212361	1	PAWL	
21	61047012361	1	RESETTER, LATCH	
22	61047412360	1	BOLT 5	
23	61047812361	1	PLATE, ANGLE	
24	19051112362	1	PIECE, LEVER	
25	40372007350	1	THRUST WASHER	
26	90060500006	1	SPRING WASHER 6	
27	90052900006	1	NUT 6	
28	90030016016	1	SPLIT PIN 1.6X16	
29	90072400032	1	O-RING	
30	61035012360	1	WASHER	
31	V555000000	2	BEARING, NEEDLE	
32	61036112360	1	GEAR, BEVEL	
33	61031712460	1	WASHER 10	
34	90016204010	2	BOLT 4X10	
35	90016205018	3	BOLT 5X18	
36	88011010860	1	NIPPLE, GREASE	
37	61043112360	1	LID, GEAR CASE	
38	61031012360	1	SHAFT, P.T.O.	



ITEM	PARTNUMBER	QTY	DESCRIPTION	REMARKS
1	X425000080	1	SUPPORT, CUTTER	
2	43302206460	4	NUT 6	
3	90050000005	2	NUT 5	
4	90060500005	2	SPRING WASHER 5	
5	90070100010	1	CIRCLIP 10	
6	61031212360	1	GEAR, SPUR	
7	90080006000	1	BEARING, BALL 6000	
8	10021305930	1	OIL SEAL	
9	88011010860	1	NIPPLE, GREASE	
10	61042012361	1	CASE, GEAR	
11	61042654030	2	SEAL	
12	61044154030	1	GUIDE	
13	90021204008	3	SCREW 4X8	
14	61046254030	2	PLATE, SIDE	
15	61080554030	2	OPERATION BAR ASY	
16	61032502730	1	WOODRUFF KEY	
17	61034412360	1	CAM	
18	V110000000	1	GASKET, GEAR CASE	
19	61045054030	1	PLATE, GUIDE	
20	16061605410	1	COLLAR	
21	90024203006	4	SCREW 3X6	
22	61042454030	1	PLATE, SIDE	
23	61044754030	1	PLATE, EYE	
24	61040954031	1	CASE, CAM	
25	90050000005	2	NUT 5	
26	90060500005	2	SPRING WASHER 5	
27	35130512360	1	HANDLE ASY	INCLUDES ITEM 28
28	35131512360	1	GRIP, HANDLE	
29	90014205025	2	BOLT 5X25	
30	V150000311	1	EYE PLATE SET	
31	90050000004	2	NUT 4	
32	90014205020	4	BOLT 5X20	
33	X425000070	1	SUPPORT, CUTTER	
34	61044054030	1	PLATE, ANGLE	
35	90021205020	2	SCREW 5X20	
36	X411000130	1	CUTTER - TB-TOP BLADE	
37	X411000120	1	CUTTER - BB-BOTTOM BLADE	
38	69911804560	4	WASHER	
39	69911507760	1	BOLT, CUTTER	
40	69911504560	3	BOLT, CUTTER	
41	89852312360	1	COVER, BLADE	
42	89561000130	1	L-WRENCH - 4MM	
43	89511200330	1	SPANNER - 8X10	