



Accessories for ECHO products can be found at:

Los accesorios para los productos ECHO se pueden encontrar en:

<http://www.echo-usa.com/Products/Accessories>

#### **BULK PIPE / TUBO AL POR MAYOR**

|                          |       |
|--------------------------|-------|
| 3×5mm black/negro        | 90014 |
| 3×6mm black/negro        | 90015 |
| 3×7mm black/negro        | 90016 |
| 3×6mm clear/transparente | 90017 |
| 2×4mm clear/transparente | 90018 |

#### **BULK STARTER ROPE**

##### **CUERDA DEL ARRANCADOR AL POR MAYOR**

|  |             |
|--|-------------|
| Diameter / diámetro 2.3 mm (3/32 in.)  | 99944435000 |
| Diameter / diámetro 3.0 mm (1/8 in.)   | 99944440000 |
| Diameter / diámetro 3.5 mm (9/64 in.)  | 99944445000 |
| Diameter / diámetro 4.0 mm (5/32 in.)  | 99944450000 |
| Diameter / diámetro 4.4 mm (11/64 in.) | 99944455000 |
| Diameter / diámetro 4.8 mm (3/16 in.)  | 99944460000 |

#### **OPTIONAL ACCESSORIES & ATTACHMENTS:**

|                                  |             |
|----------------------------------|-------------|
| SRM Shoulder Harness Kit         | 99944200200 |
| Brushcutter Harness              | 99944200202 |
| Brushcutter System               | 99988801510 |
| 10" 3-Tooth Blade (20mm Arbor)   | 99944200047 |
| 10" 3-Tooth (25mm Arbor)         | 99944200048 |
| 10" Tri Cut Plastic Blade (20mm) | 99944200030 |
| 10" Tri Cut Plastic Blade (25mm) | 99944200040 |

#### **ACCESORIOS OPCIONALES**

|                                      |             |
|--------------------------------------|-------------|
| Correas de Hombro (Modelos SRM)      | 99944200200 |
| Arnés para Desmalezadora             | 99944200202 |
| Sistema de Visor para Desmalezadora  | 99988801510 |
| 10" Cuchilla de 3-Puntas (20mm)      | 99944200047 |
| 10" Cuchilla de 3-Puntas (25mm)      | 99944200048 |
| 10" Cuchilla plastico Tri-Cut (20mm) | 99944200030 |
| 10" Cuchilla plastico Tri-Cut (25mm) | 99944200040 |

## **PARTS CATALOG LISTA DE PIEZAS**

# **SRM-410X Brushcutter**

SRM-410X Desmalezadora



**42.7 cc**

**SERIAL NUMBER**  
NÚMERO DE SERIE

**U46212001001 - U46212999999**

## **ECHO Incorporated**

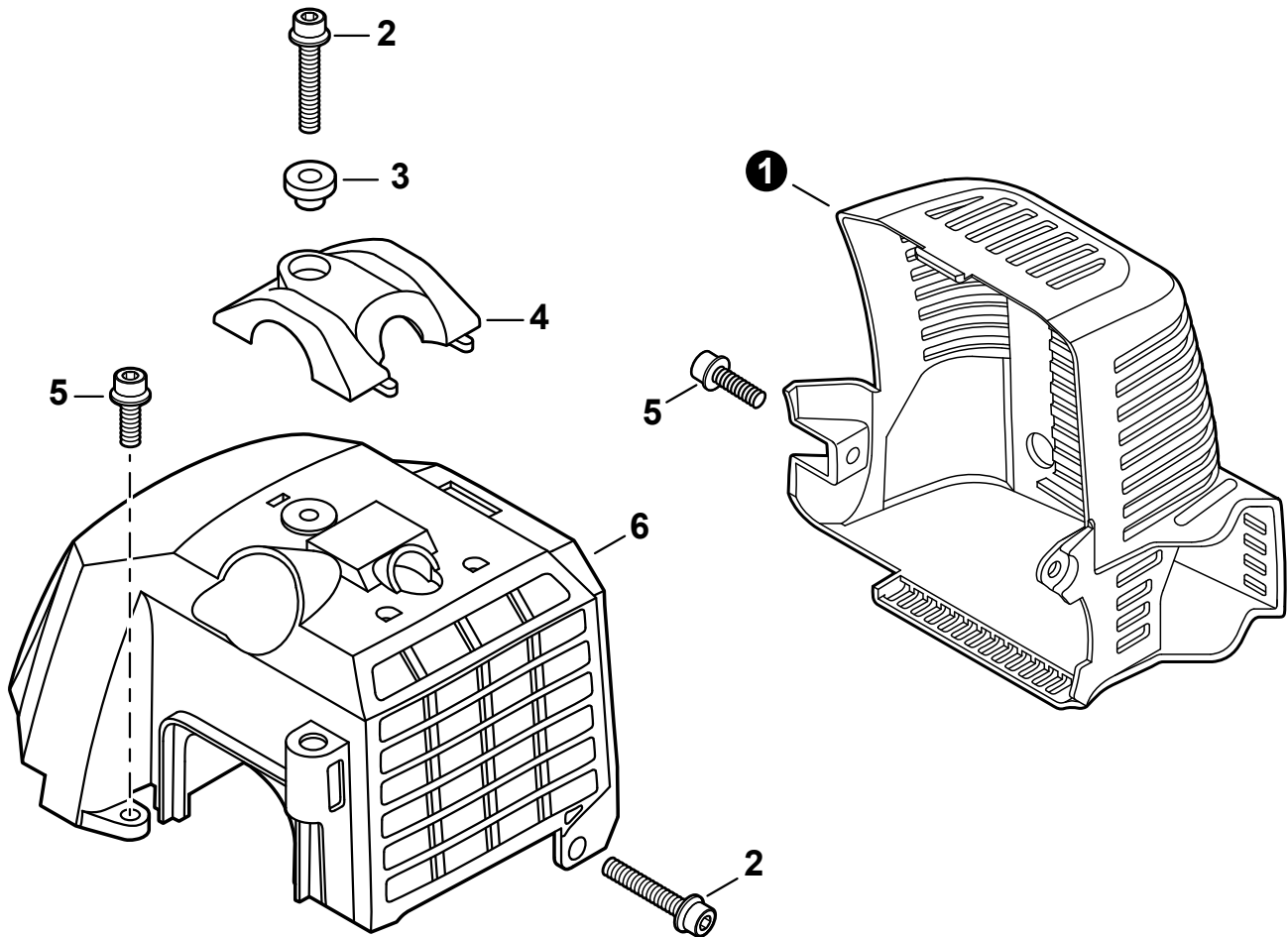
400 Oakwood Road, Lake Zurich, Illinois 60047

WWW.ECHO-USA.COM

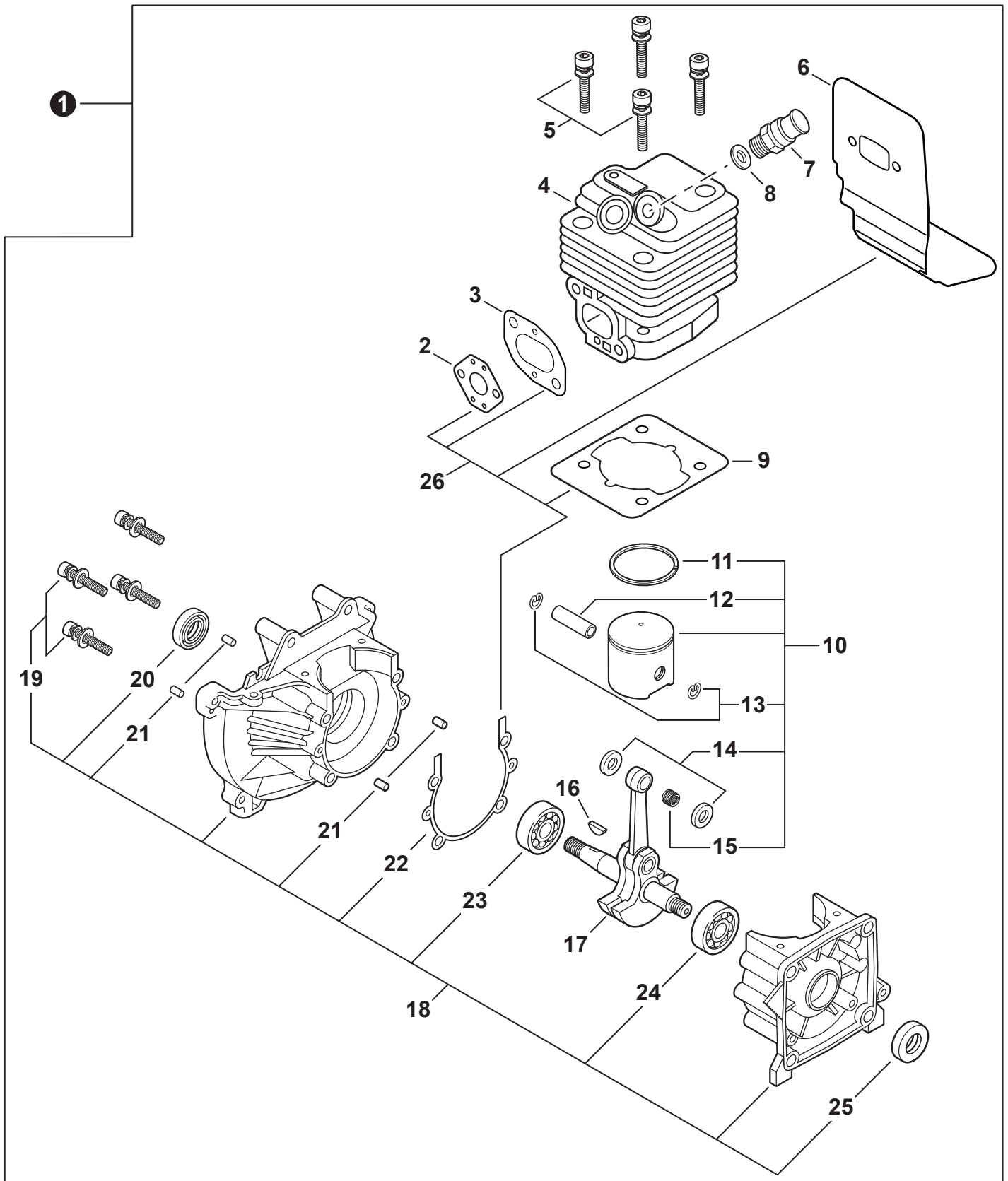
©2021 ECHO Incorporated. All Rights Reserved

P/N 99922205626  
REVISED 04/26/21

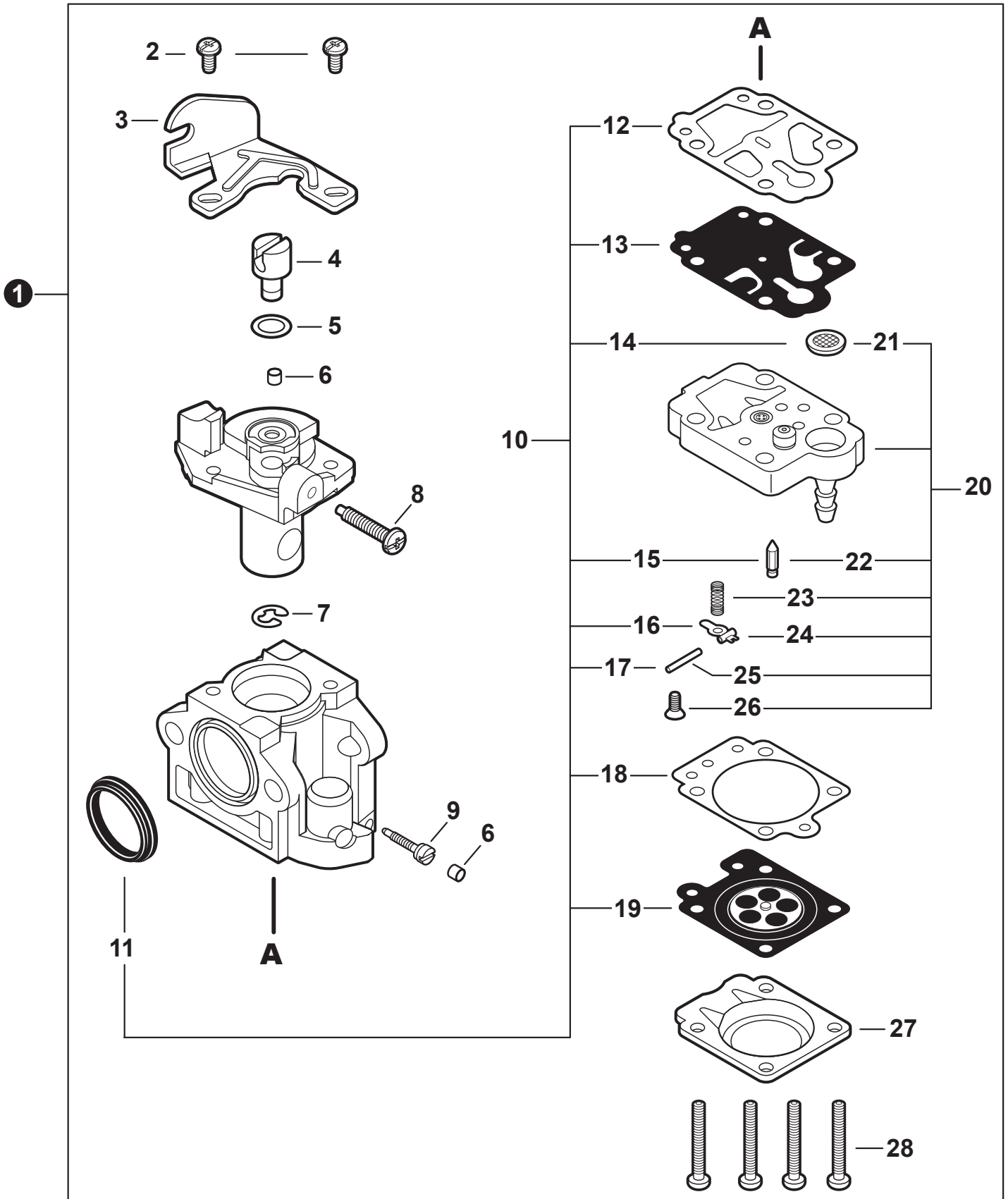
|   |           |
|---|-----------|
| <b>Engine Cover</b> .....                   | <b>3</b>  |
| Cubiertas del motor                         |           |
| <b>Engine</b> .....                         | <b>4</b>  |
| Motor                                       |           |
| <b>Engine</b> .....                         | <b>5</b>  |
| Motor                                       |           |
| <b>Carburetor</b> .....                     | <b>6</b>  |
| Carburador                                  |           |
| <b>Carburetor</b> .....                     | <b>7</b>  |
| Carburador                                  |           |
| <b>Intake</b> .....                         | <b>8</b>  |
| Admisión                                    |           |
| <b>Exhaust</b> .....                        | <b>9</b>  |
| Escape                                      |           |
| <b>Ignition</b> .....                       | <b>10</b> |
| Encendido                                   |           |
| <b>Starter</b> .....                        | <b>11</b> |
| Arrancador Autorretráctil                   |           |
| <b>Fuel System</b> .....                    | <b>12</b> |
| Sistema de combustible                      |           |
| <b>Fuel Tank Support</b> .....              | <b>13</b> |
| Soporte del tanque de combustible           |           |
| <b>Fan Cover</b> .....                      | <b>14</b> |
| Cubierta del Ventilador                     |           |
| <b>Main Pipe</b> .....                      | <b>15</b> |
| Tubo Principale                             |           |
| <b>Handle - Support</b> .....               | <b>16</b> |
| Mango de soporte                            |           |
| <b>Handle - Control</b> .....               | <b>17</b> |
| Mango de control                            |           |
| <b>Gear Case</b> .....                      | <b>18</b> |
| Caja de Engranajes                          |           |
| <b>Debris Shield</b> .....                  | <b>19</b> |
| Protector contra residuos                   |           |
| <b>Trimmer Head - Speed-Feed® 450</b> ..... | <b>20</b> |
| Cabezal de corte - Speed-Feed® 450          |           |
| <b>Harness</b> .....                        | <b>21</b> |
| Arnés                                       |           |
| <b>Tools</b> .....                          | <b>21</b> |
| Herramientas                                |           |
| <b>Labels</b> .....                         | <b>22</b> |
| Etiquetas                                   |           |
| <b>Maintenance Kits</b> .....               | <b>23</b> |
| Juegos de mantenimiento                     |           |



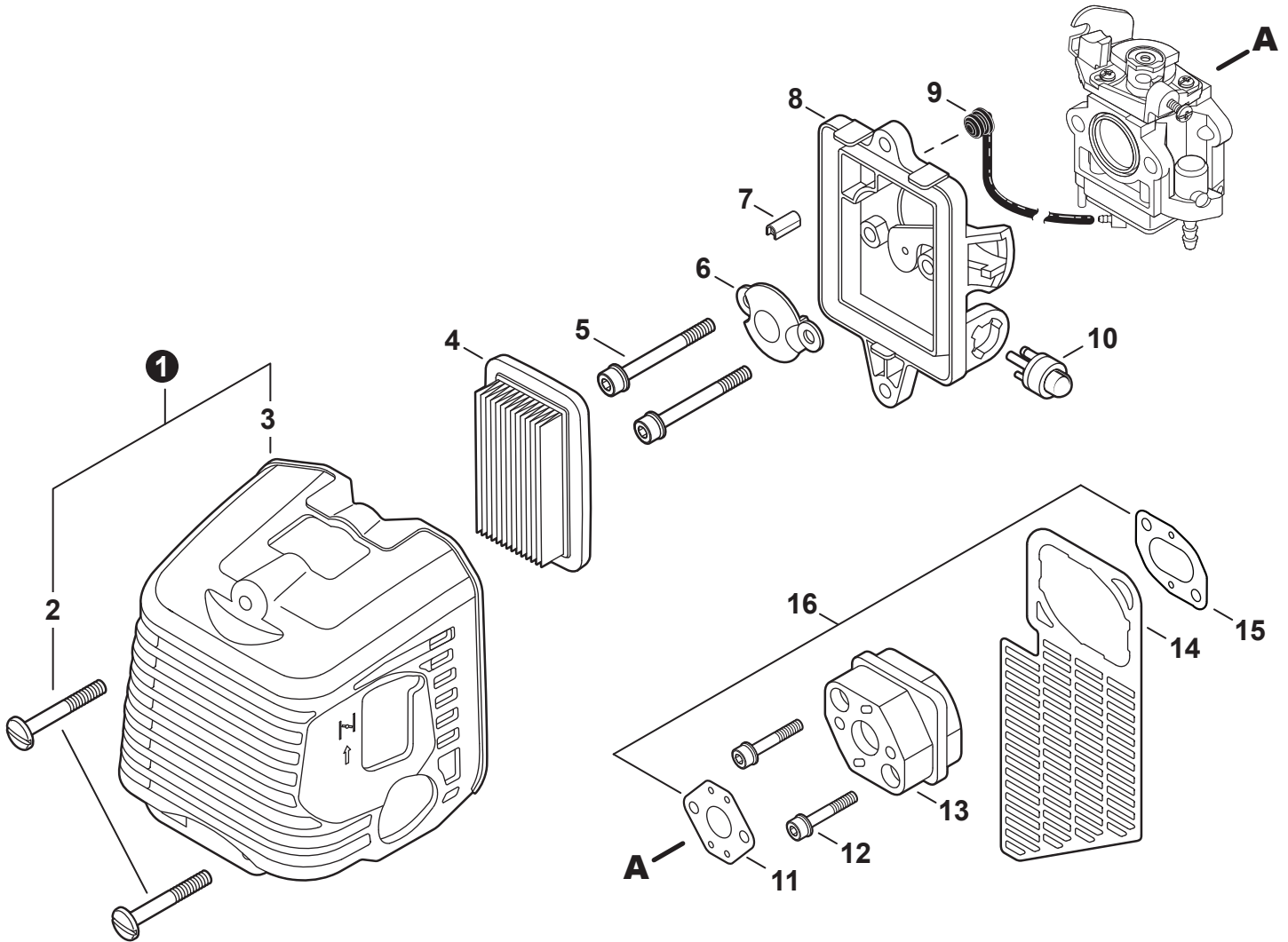
| NO. | PART NUMBER | QTY. | DESCRIPTION    | DESCRIPCIÓN              |
|-----|-------------|------|----------------|--------------------------|
| 1   | A320000091  | 1    | COVER, MUFFLER | CUBIERTA DEL SILENCIADOR |
| 2   | 90010605020 | 2    | BOLT 5x20      | PERNO 5x20               |
| 3   | V353000020  | 1    | COLLAR 5       | COLLAR 5                 |
| 4   | A162000020  | 1    | GUARD, TOP     | PROTECTOR                |
| 5   | 90010605012 | 2    | BOLT 5x12      | PERNO 5x12               |
| 6   | A160000242  | 1    | COVER, ENGINE  | CUBIERTA DE MOTOR        |



| NO. | PART NUMBER | QTY. | DESCRIPTION           | DESCRIPCIÓN                      |
|-----|-------------|------|-----------------------|----------------------------------|
| 1   | SB1097      | 1    | SHORT BLOCK           | BLOQUE CORTO                     |
| 2   | V103000080  | 1    | +GASKET, INTAKE       | +EMPAQUETADURA DE ADMISIÓN       |
| 3   | V103000070  | 1    | +GASKET, INTAKE       | +EMPAQUETADURA DE ADMISIÓN       |
| 4   | A130000880  | 1    | +CYLINDER             | +CILINDRO                        |
| 5   | 90016205020 | 4    | +BOLT 5x20            | +PERNO 5x20                      |
| 6   | V104000241  | 1    | +HEAT SHIELD, EXHAUST | +PROTECTOR TÉRMICO DEL ESCAPE    |
| 7   | A014000000  | 1    | +VALVE, DECOMPRESSION | +VÁLVULA PURGA                   |
| 8   | V109000150  | 1    | +GASKET, VALVE        | +EMPAQUETADURA DE VÁLVULA        |
| 9   | V100000040  | 1    | +GASKET, CYLINDER     | +EMPAQUETADURA DE CILINDRO       |
| 10  | P021014262  | 1    | +PISTON KIT           | +JUEGO DE PISTÓN                 |
| 11  | 10001110530 | 1    | ++RING, PISTON        | ++ANILLO DEL PISTÓN              |
| 12  | V608000000  | 1    | ++PIN, PISTON 10      | ++PASADOR DEL PISTÓN 10          |
| 13  | V580000010  | 2    | ++RING, SNAP 10       | ++ANILLO RETENEDOR 10            |
| 14  | V307000060  | 2    | ++WASHER, THRUST      | ++ARANDELA DE EMPUJE             |
| 15  | V555000010  | 1    | ++BEARING, NEEDLE 10  | ++COJINETE DE AGUJAS 10          |
| 16  | 90032303014 | 1    | +KEY, WOODRUFF 3x14   | +CHAVETA WOODRUFF 3x14           |
| 17  | A011000120  | 1    | +CRANKSHAFT ASSY      | +MONTAJE DE CIGÜEÑAL             |
| 18  | P021002471  | 1    | +CRANKCASE KIT        | +JUEGO DE CÁRTER                 |
| 19  | 90016205035 | 4    | ++BOLT M5x35          | ++PERNO M5x35                    |
| 20  | 10021300310 | 1    | ++SEAL, OIL           | ++SELLO DE ACEITE                |
| 21  | 90033040080 | 4    | ++PIN, LOCATING 4x8   | ++PASADOR DE POSICIONAMIENTO 4x8 |
| 22  | V102000001  | 1    | ++GASKET, CRANKCASE   | ++EMPAQUETADURA DE CÁRTER        |
| 23  | 90081036202 | 1    | ++BEARING, BALL 6202  | ++COJINETE DE BOLAS 6202         |
| 24  | 9403536201  | 1    | ++BEARING, BALL 6201  | ++COJINETE DE BOLAS 6201         |
| 25  | 10021305530 | 1    | ++SEAL, OIL 12        | ++SELLO DE ACEITE 12             |
| 26  | P021003371  | 1    | GASKET KIT            | JUEGO DE EMPAQUETADURA           |

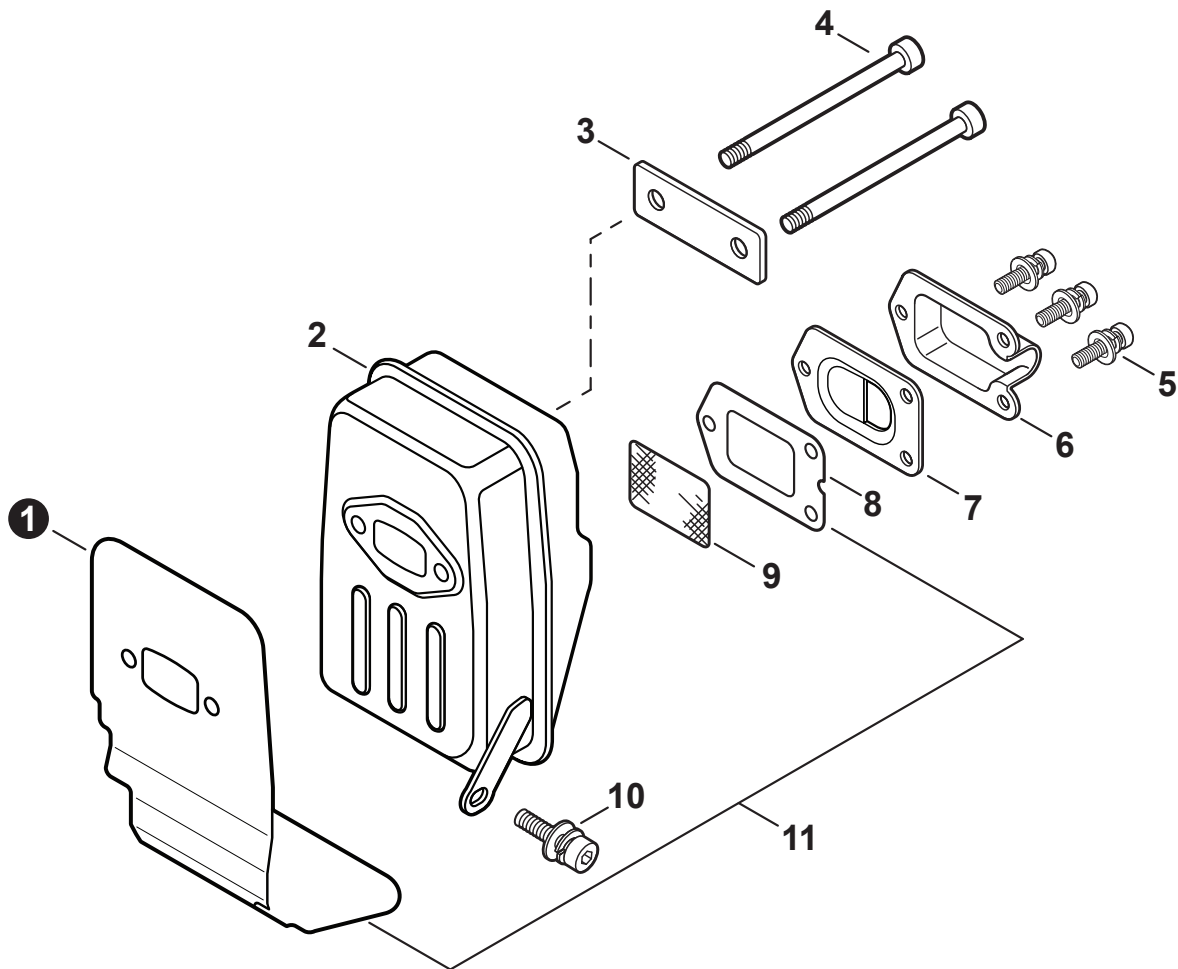


| NO. | PART NUMBER | QTY. | DESCRIPTION                    | DESCRIPCIÓN                               |
|-----|-------------|------|--------------------------------|---|
| 1   | A021001172  | 1    | CARBURETOR - WYK-226A          | CARBURADOR - WYK-226A                     |
| 2   | 12311440630 | 2    | +SCREW                         | +TORNILLO                                 |
| 3   | P003000180  | 1    | +BRACKET, THROTTLE CABLE       | +ABRAZADERA DE CABLE DEL ACELERADOR       |
| 4   | 12317245130 | 1    | +SWIVEL                        | +CONECTOR GIRATORIO                       |
| 5   | 12314954230 | 1    | +WASHER                        | +ARANDELA                                 |
| 6   | A259000000  | 2    | +PLUG                          | +TAPÓN                                    |
| 7   | 12317307930 | 1    | +E-RING                        | +RETENEDOR TIPO "E"                       |
| 8   | 12313440030 | 1    | +SCREW                         | +TORNILLO                                 |
| 9   | P003001130  | 1    | +NEEDLE, HIGH SPEED            | +AGUJA DE REGULACION ALTA (H)             |
| 10  | P003000060  | 1    | <b>+REPAIR KIT, CARBURETOR</b> | <b>+JUEGO DE REPARACIÓN DE CARBURADOR</b> |
| 11  |             | 1    | ++RING, PACKING                | ++ANILLO DE EMPAQUE                       |
| 12  |             | 1    | ++GASKET, PUMP                 | ++EMPAQUETADURA DE LA BOMBA               |
| 13  |             | 1    | ++DIAPHRAGM, FUEL PUMP         | ++DIAFRAGMA DE LA BOMBA DE COMBUSTIBLE    |
| 14  |             | 1    | ++SCREEN, FUEL INLET           | ++MALLA FILTRADORA                        |
| 15  |             | 1    | ++VALVE, INLET NEEDLE          | ++VÁLVULA REGULADORA                      |
| 16  |             | 1    | ++LEVER, METERING              | ++PALANCA DE MEDICIÓN                     |
| 17  |             | 1    | ++PIN, METERING LEVER          | ++PASADOR DE PALANCA DE MEDICIÓN          |
| 18  |             | 1    | ++GASKET, METERING DIAPHRAGM   | ++EMPAQUETADURA DIAFRAGMA DE MEDICIÓN     |
| 19  |             | 1    | ++DIAPHRAGM, METERING          | ++DIAFRAGMA DE MEDICIÓN                   |
| 20  | P003001490  | 1    | <b>+BODY ASSY, PUMP</b>        | <b>+MONTAJE DE CUERPO DE BOMBA</b>        |
| 21  |             | 1    | ++SCREEN, FUEL INLET           | ++MALLA FILTRADORA                        |
| 22  |             | 1    | ++VALVE, INLET NEEDLE          | ++VÁLVULA REGULADORA                      |
| 23  |             | 1    | ++SPRING, METERING LEVER       | ++RESORTE PALANCA DE MEDICIÓN             |
| 24  |             | 1    | ++LEVER, METERING              | ++PALANCA DE MEDICIÓN                     |
| 25  |             | 1    | ++PIN, METERING LEVER          | ++PASADOR DE PALANCA DE MEDICIÓN          |
| 26  |             | 1    | ++SCREW                        | ++TORNILLO                                |
| 27  | P003001500  | 1    | +COVER, PUMP                   | +TAPA DE LA BOMBA                         |
| 28  | 12314444330 | 4    | +SCREW                         | +TORNILLO                                 |

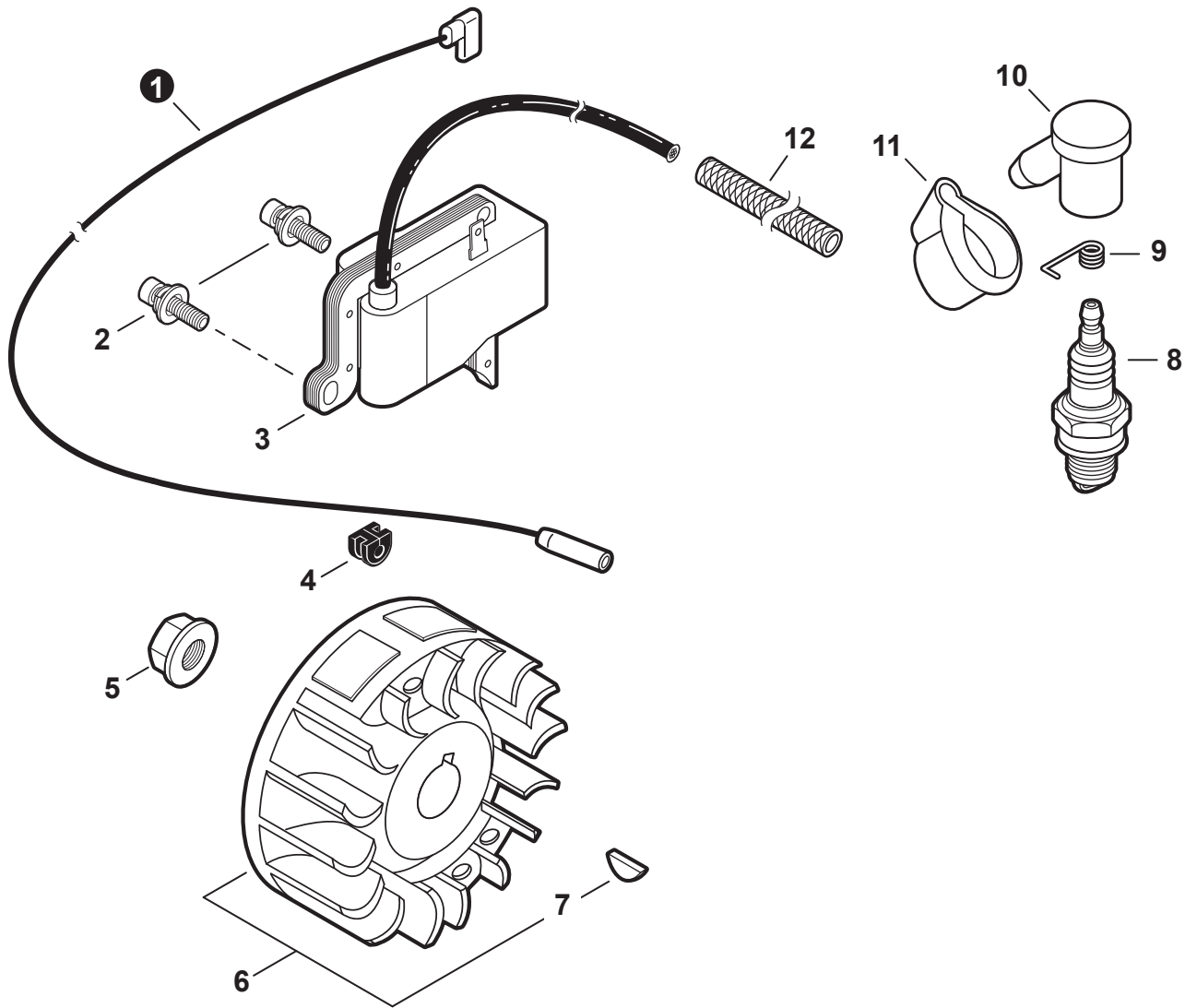


| NO. | PART NUMBER | QTY. | DESCRIPTION                  | DESCRIPCIÓN                           |
|-----|-------------|------|------------------------------|---------------------------------------|
| 1   | P021012110  | 1    | COVER ASSY, AIR FILTER       | MONTAJE DE CUBIERTA DE FILTRO DE AIRE |
| 2   | V253000100  | 2    | +SCREW 5x20                  | +TORNILLO 5x20                        |
| 3   | A232000390  | 1    | +COVER, AIR FILTER           | +CUBIERTA DEL FILTRO DE AIRE          |
| 4   | A226000361  | 1    | FILTER, AIR                  | FILTRO DE AIRE                        |
| 5   | 90010505055 | 2    | BOLT 5x55                    | PERNO 5x55                            |
| 6   | A244000010  | 1    | PLATE, PREVENT               | PLACA DE PREVENCIÓN                   |
| 7   | A239000050  | 1    | PIPE, INTAKE                 | TUBO DE ADMISIÓN                      |
| 8   | P021009590  | 1    | CASE, AIR FILTER             | CAJA DEL FILTRO DE AIRE               |
| 9   | 13201239332 | 1    | GROMMET, W/VENT PIPE 3x6x105 | OJAL CON TUBO DE RESPIRADERO 3x6x105  |
| 10  | 12318139130 | 1    | BULB, PURGE                  | BULBO DE PURGA                        |
| 11  | V103000080  | 1    | GASKET, INTAKE               | EMPAQUETADURA DE ADMISIÓN             |
| 12  | 90010605025 | 2    | BOLT 5x25                    | PERNO 5x25                            |
| 13  | A200000060  | 1    | INSULATOR, INTAKE            | AISLADOR DE ADMISIÓN                  |
| 14  | A128000060  | 1    | SHIELD, DEBRIS               | PROTECTOR CONTRA RESIDUOS             |
| 15  | V103000070  | 1    | GASKET, INTAKE               | EMPAQUETADURA DE ADMISIÓN             |
| 16  | P021003371  | 1    | GASKET KIT                   | JUEGO DE EMPAQUETADURA                |

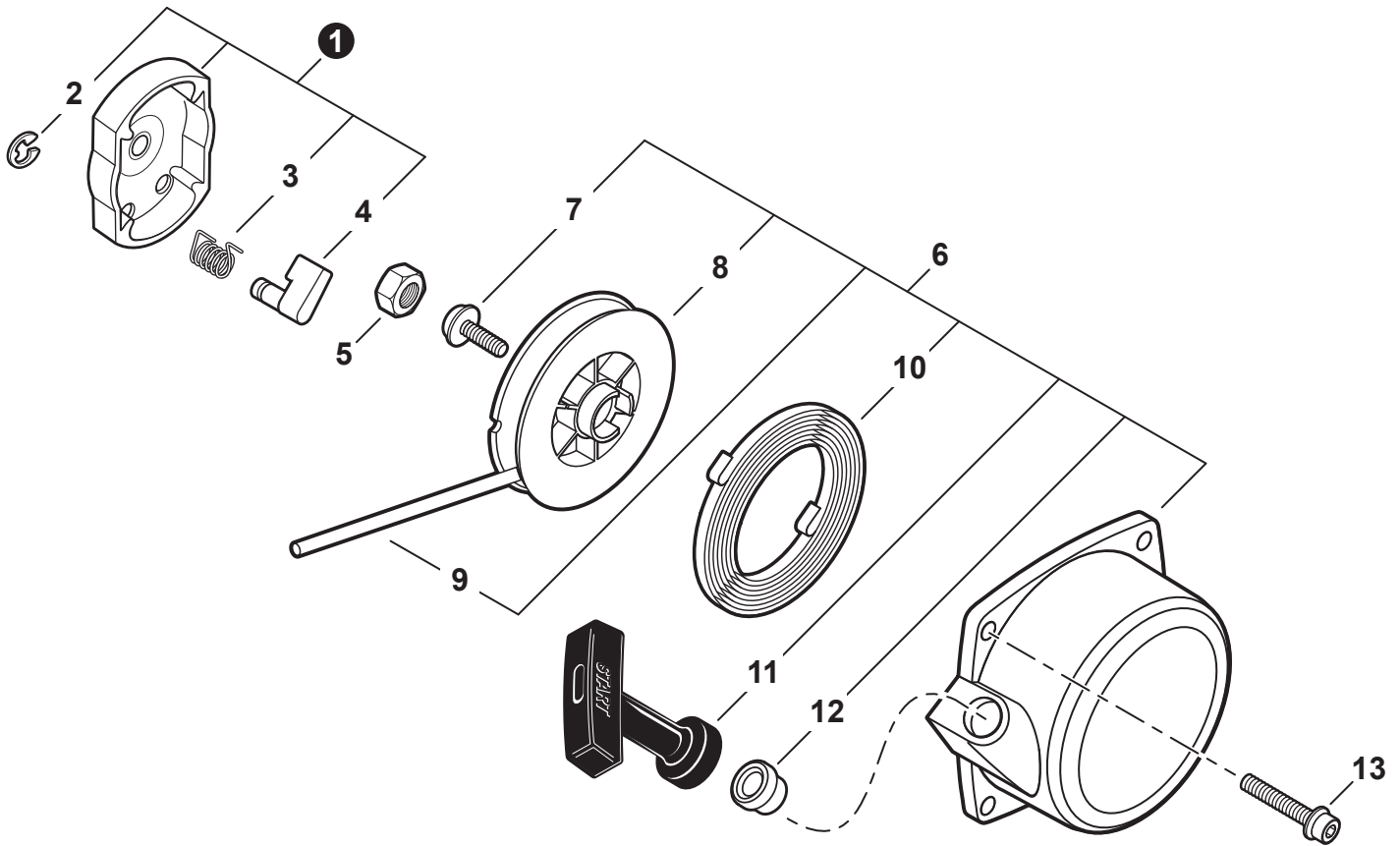




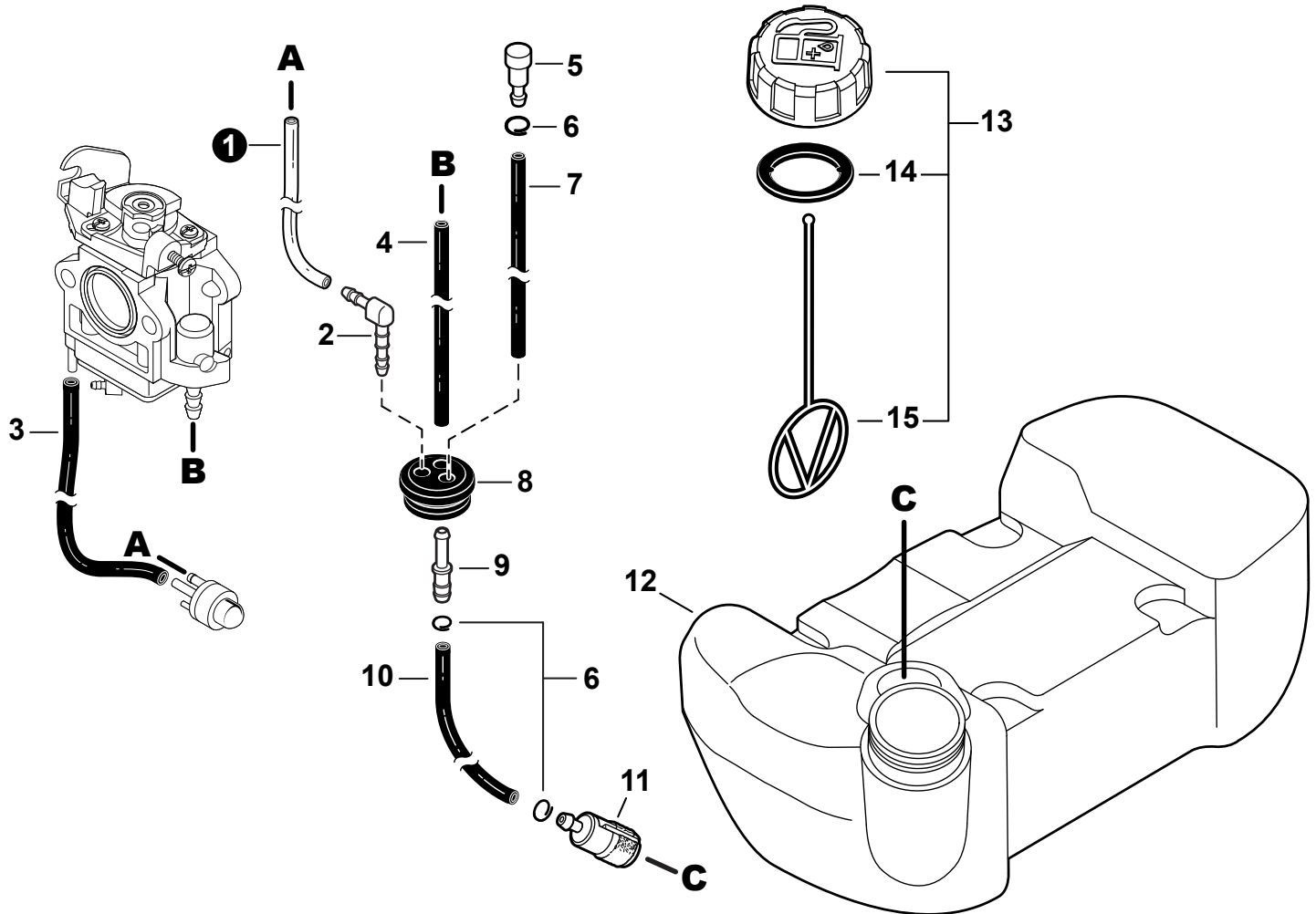
| NO. | PART NUMBER | QTY. | DESCRIPTION            | DESCRIPCIÓN                  |
|-----|-------------|------|------------------------|------------------------------|
| 1   | V104000241  | 1    | HEAT SHIELD, EXHAUST   | PROTECTOR TÉRMICO DEL ESCAPE |
| 2   | A300000231  | 1    | MUFFLER                | SILENCIADOR                  |
| 3   | V150000550  | 1    | PLATE, EYE             | PLACA                        |
| 4   | 90010506060 | 2    | BOLT 6x60              | PERNO 6x60                   |
| 5   | 90024204010 | 3    | SCREW 4x10             | TORNILLO 4x10                |
| 6   | A313000290  | 1    | OUTLET, EXHAUST        | SALIDA DE ESCAPE             |
| 7   | A313000300  | 1    | GUIDE, EXHAUST         | GUÍA DE ESCAPE               |
| 8   | 14586642031 | 1    | GASKET, EXHAUST        | EMPAQUETADURA DE ESCAPE      |
| 9   | 14586240630 | 1    | SCREEN, SPARK ARRESTER | SUPRESOR DE CHISPAS          |
| 10  | 90016205012 | 1    | BOLT 5x12              | PERNO 5x12                   |
| 11  | P021003371  | 1    | GASKET KIT             | JUEGO DE EMPAQUETADURA       |



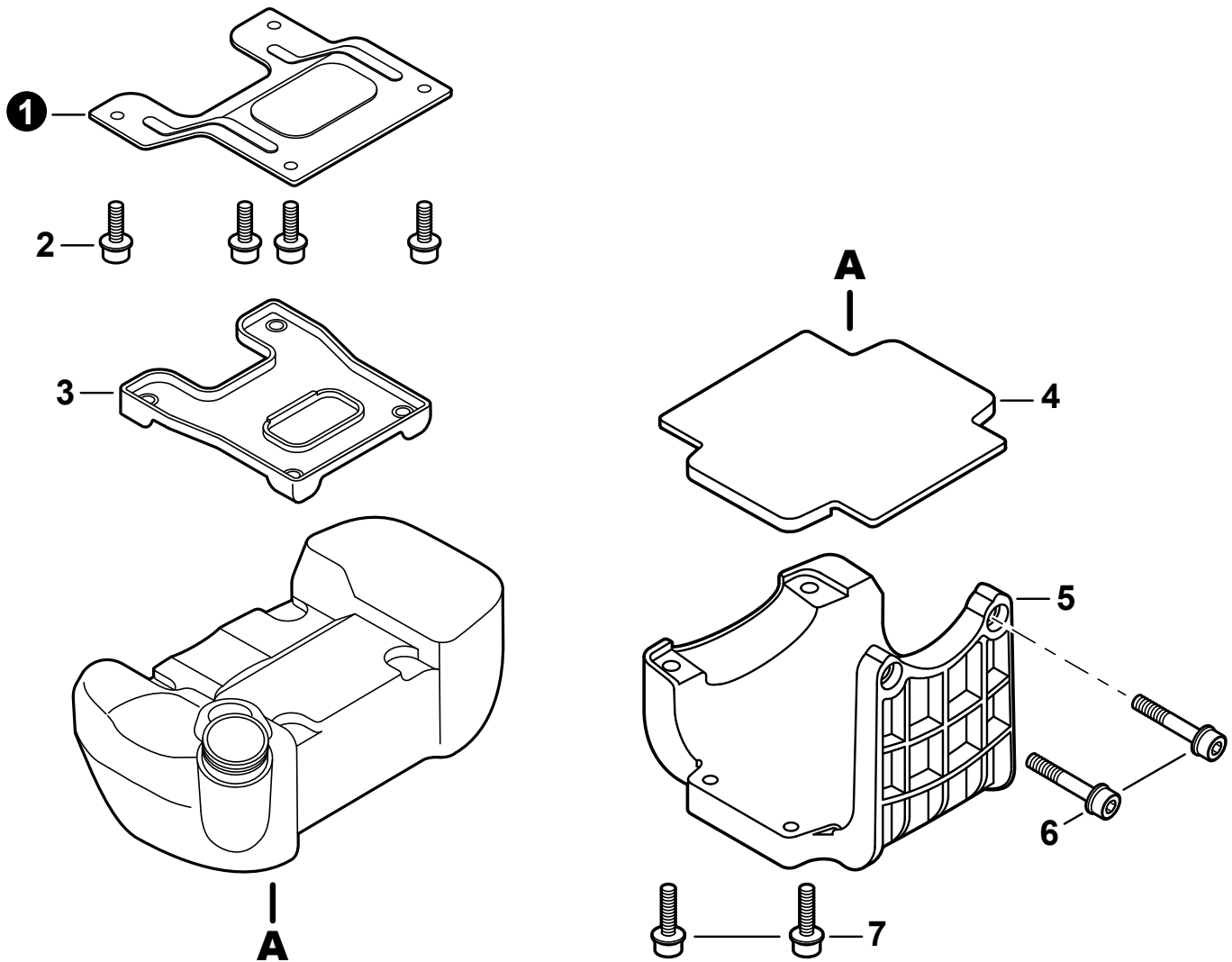
| NO. | PART NUMBER       | QTY. | DESCRIPTION              | DESCRIPCIÓN             |
|-----|-------------------|------|--------------------------|-------------------------|
| 1   | 16201055630       | 1    | LEAD 170 MM              | CABLE 170 MM            |
| 2   | 90016205020       | 2    | BOLT 5x20                | PERNO 5x20              |
| 3   | A411000050        | 1    | COIL, IGNITION           | BOBINA DE ENCENDIDO     |
| 4   | 15611404920       | 1    | GROMMET                  | OJAL                    |
| 5   | 90051900010       | 1    | NUT, FLANGE 10x1.25      | TUERCA-BRIDA 10x1.25    |
| 6   | <b>P021005911</b> | 1    | <b>FLYWHEEL KIT</b>      | <b>JUEGO DE VOLANTE</b> |
| 7   | 90032303014       | 1    | +KEY, WOODRUFF 3x14      | +CHAVETA WOODRUFF 3x14  |
| 8   | 15901010230       | 1    | SPARK PLUG - BPMR7A      | BUJÍA - BPMR7A          |
| 9   | A426000000        | 1    | TERMINAL, SPARK PLUG     | TERMINAL DE BUJÍA       |
| 10  | A427000000        | 1    | CAP, SPARK PLUG          | TAPA DE BUJÍA           |
| 11  | V141000020        | 1    | COVER, DUST              | CUBIERTA ANTIPOLVO      |
| 12  | V475001610        | 1    | TUBE, INSULATOR 7x8.6x55 | TUBO AISLANTE 7x8.6x55  |



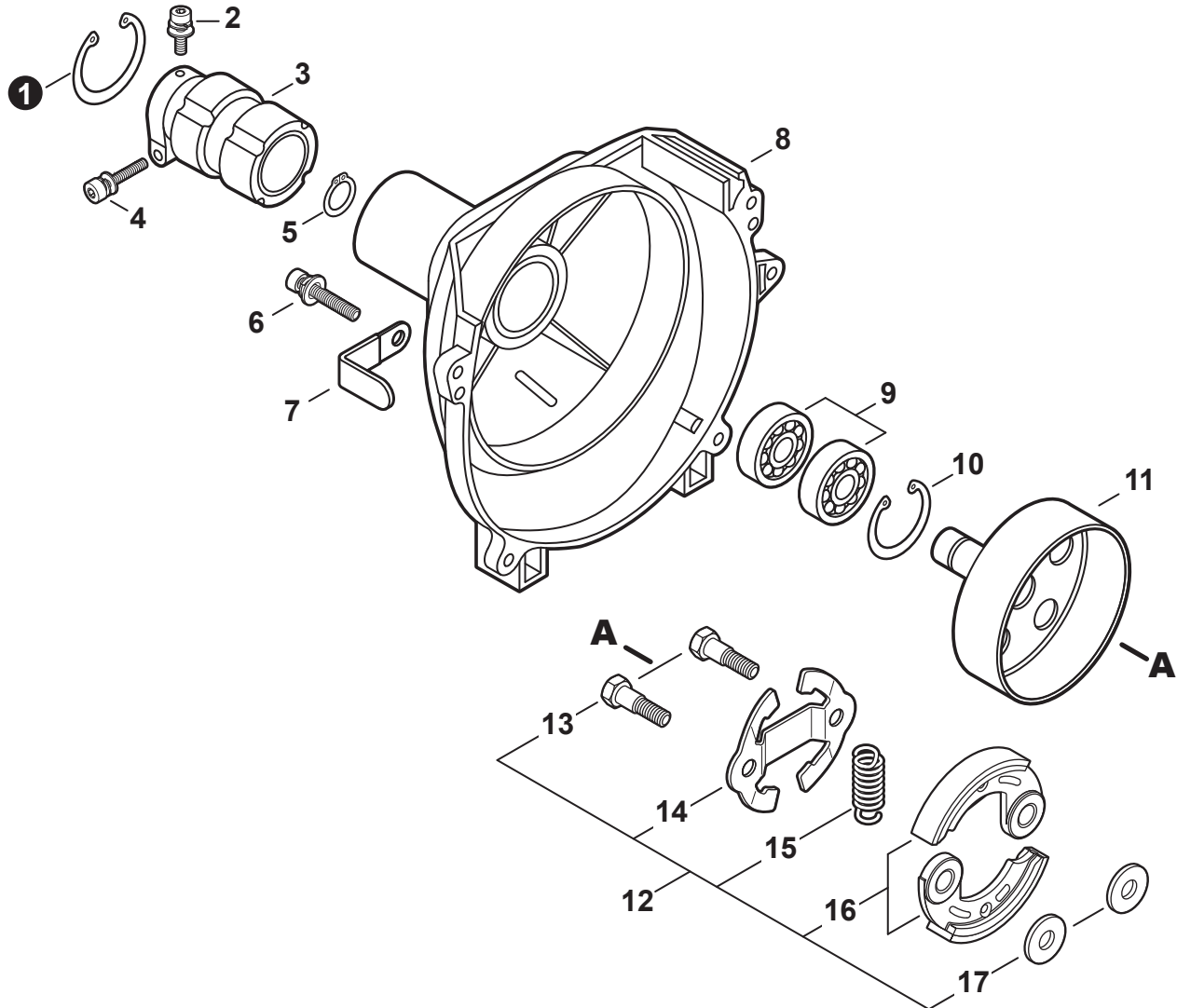
| NO. | PART NUMBER | QTY. | DESCRIPTION             | DESCRIPCIÓN                          |
|-----|-------------|------|-------------------------|--------------------------------------|
| 1   | A052000011  | 1    | PAWL ASSY, STARTER      | MONTAJE DE TRINQUETE                 |
| 2   | P022002100  | 1    | +E-RING 4               | +RETENEDOR TIPO "E" 4                |
| 3   | 17723440630 | 1    | +SPRING, RETURN         | +RESORTE DE RETORNO                  |
| 4   | P022003120  | 1    | +PAWL, STARTER          | +TRINQUETE                           |
| 5   | 90050200008 | 1    | NUT 8x1.25              | TUERCA 8x1.25                        |
| 6   | A051000190  | 1    | STARTER ASSY, RECOIL    | MONTAJE DE ARRANCADOR AUTORRETRÁCTIL |
| 7   | 17723606910 | 1    | +SCREW                  | +TORNILLO                            |
| 8   | P022002080  | 1    | +REEL, ROPE             | +CARRETE DE CUERDA                   |
| 9   | 17722606310 | 1    | +ROPE, STARTER 3.8x1150 | +CUERDA DEL ARRANCADOR 3.8x1150      |
| 10  | 17722006310 | 1    | +SPRING, RECOIL         | +RESORTE RECULAR                     |
| 11  | 17722827030 | 1    | +GRIP, STARTER          | +AGARRE DEL ARRANCADOR               |
| 12  | 17722742030 | 1    | +GUIDE, ROPE            | +GUÍA DE CUERDA                      |
| 13  | 90010605020 | 1    | BOLT 5x20               | PERNO 5x20                           |



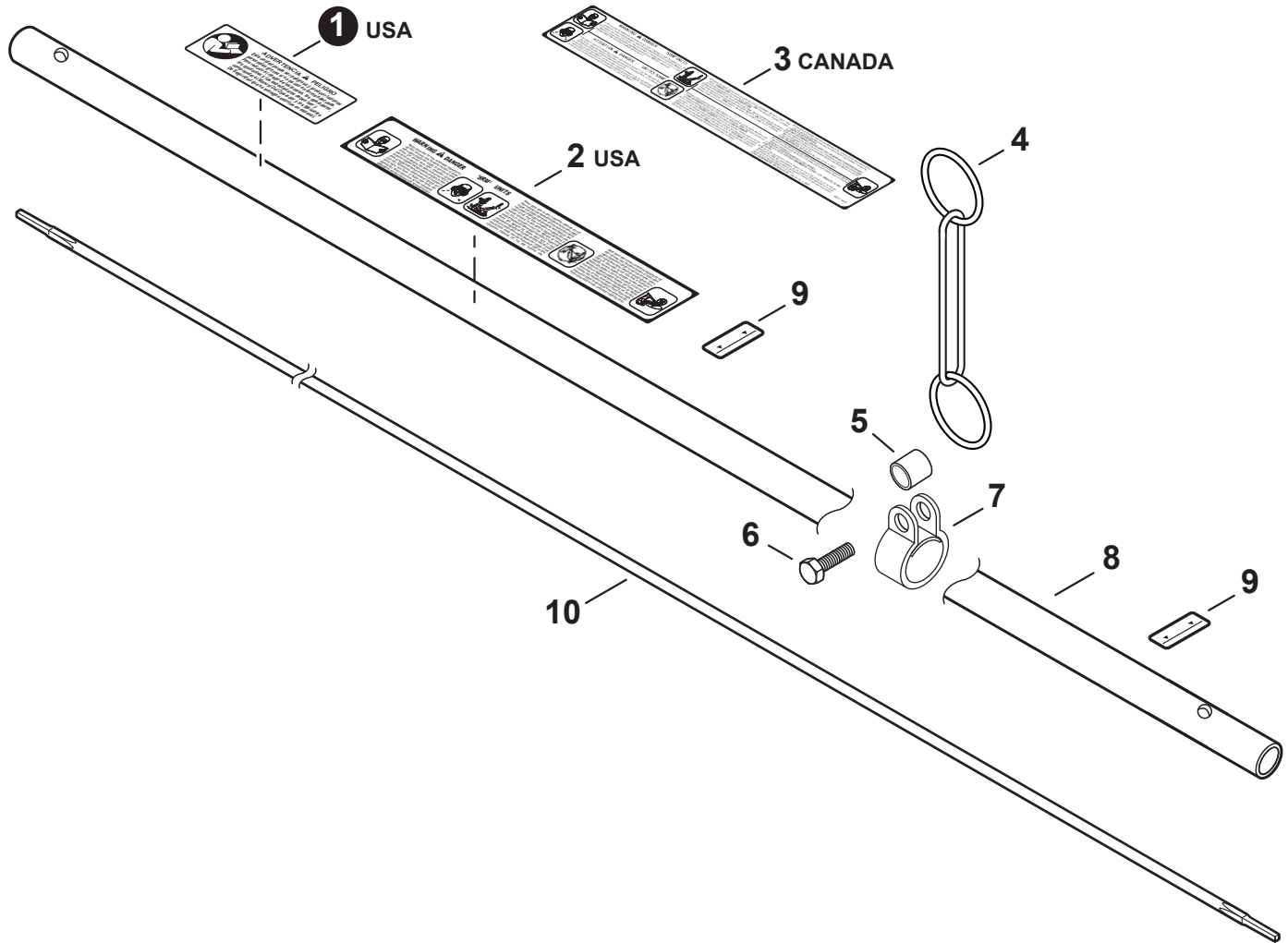
| NO. | PART NUMBER       | QTY. | DESCRIPTION               | DESCRIPCIÓN                             |
|-----|-------------------|------|---------------------------|---|
| 1   | 43721520760       | 1    | PIPE, FUEL 3x6x60 CLEAR   | TUBO DE COMBUSTIBLE 3x6x60 TRANSPARENTE |
| 2   | V186000500        | 1    | CONNECTOR, PIPE           | CONECTOR DE TUBO                        |
| 3   | V471001561        | 1    | PIPE, FUEL 2.4x5x80 BLACK | TUBO DE COMBUSTIBLE 2.4x5x80 NEGRO      |
| 4   | V471005580        | 1    | PIPE, FUEL 3x5.5x61 BLACK | TUBO DE COMBUSTIBLE 3x5.5x61 NEGRO      |
| 5   | 13130056431       | 1    | VENT ASSY                 | VÁLVULA DE RESPIRADERO                  |
| 6   | V490001230        | 3    | CLIP 6.5 MM               | SUJETADOR 6.5 MM                        |
| 7   | 13201202961       | 1    | PIPE, FUEL 3x6x120 BLACK  | TUBO DE COMBUSTIBLE 3x6x120 NEGRO       |
| 8   | 13211555931       | 1    | GROMMET, FUEL             | OJAL DE COMBUSTIBLE                     |
| 9   | V186000520        | 1    | CONNECTOR, PIPE 5x3.5     | CONECTOR DE TUBO 5x3.5                  |
| 10  | 43721632631       | 1    | PIPE 3x6x125 BLACK        | TUBO 3x6x125 NEGRO                      |
| 11  | A369000460        | 1    | FILTER, FUEL              | FILTRO DE COMBUSTIBLE                   |
| 12  | A350002580        | 1    | TANK, FUEL                | TANQUE DE COMBUSTIBLE                   |
| 13  | <b>P021053030</b> | 1    | <b>CAP ASSY, FUEL</b>     | <b>MONTAJE DE TAPA DE COMBUSTIBLE</b>   |
| 14  | V107000210        | 1    | +GASKET, FUEL CAP         | +EMPAQUETADURA DE TAPA DE COMBUSTIBLE   |
| 15  | A365000060        | 1    | +CONNECTOR, CAP L= 123    | +CONECTOR DE TAPA L= 123                |



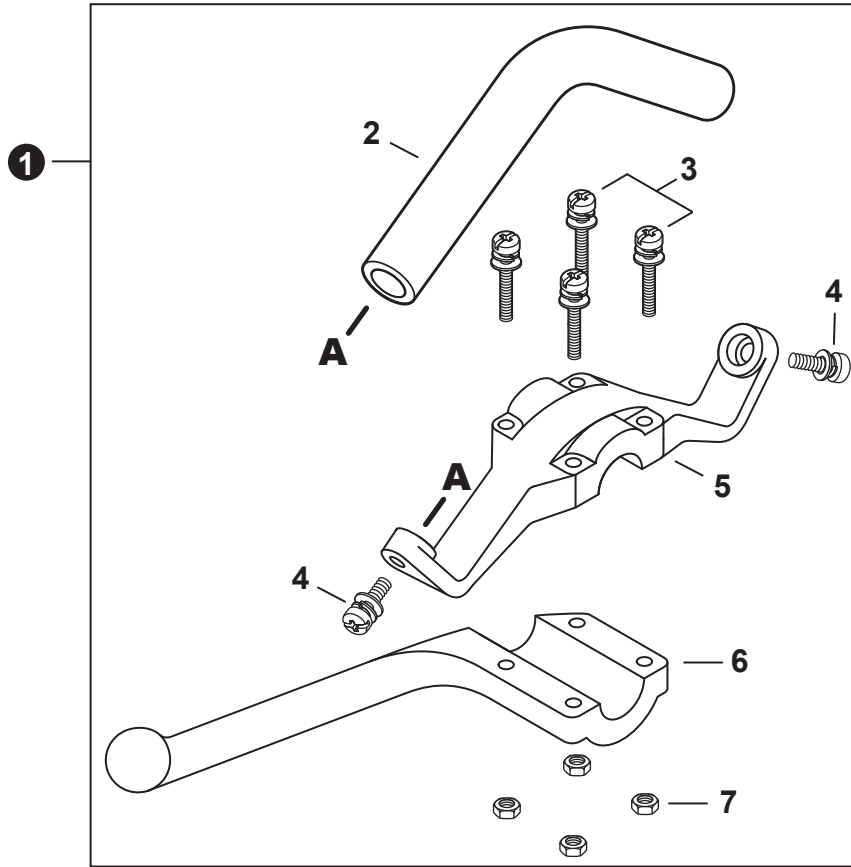
| NO. | PART NUMBER | QTY. | DESCRIPTION        | DESCRIPCIÓN                            |
|-----|-------------|------|--------------------|--|
| 1   | A393000030  | 1    | BRACKET, FUEL TANK | ABRAZADERA DEL TANQUE DE COMBUSTIBLE   |
| 2   | 90010605012 | 4    | BOLT 5x12          | PERNO 5x12                             |
| 3   | A390000000  | 1    | CUSHION, UPPER     | AMORTIGUADOR SUPERIOR                  |
| 4   | A390000010  | 1    | CUSHION, FUEL TANK | AMORTIGUADOR DEL TANQUE DE COMBUSTIBLE |
| 5   | A393000050  | 1    | GUARD, FUEL TANK   | PROTECTOR, TANQUE DE COMBUSTIBLE       |
| 6   | 90010605025 | 2    | BOLT 5x25          | PERNO 5x25                             |
| 7   | 90010605020 | 2    | BOLT 5x20          | PERNO 5x20                             |



| NO. | PART NUMBER       | QTY. | DESCRIPTION        | DESCRIPCIÓN                |
|-----|-------------------|------|--------------------|----------------------------|
| 1   | 90070200045       | 1    | RING, RETAINING 45 | ANILLO DE RETENCIÓN 45     |
| 2   | 90016205012       | 1    | BOLT 5x12          | PERNO 5x12                 |
| 3   | V420000980        | 1    | CUSHION            | AMORTIGUADOR               |
| 4   | 90016205028       | 1    | BOLT 5x28          | PERNO 5x28                 |
| 5   | 90070100012       | 1    | RING, SNAP 12      | ANILLO RETENEDOR 12        |
| 6   | 90016205020       | 4    | BOLT 5x20          | PERNO 5x20                 |
| 7   | 15911621231       | 1    | CLAMP              | ABRAZADERA                 |
| 8   | A172000150        | 1    | COVER, FAN         | CUBIERTA DE VENTILADOR     |
| 9   | 90080706001       | 2    | BEARING, BALL 6001 | COJINETE DE BOLAS 6001     |
| 10  | 90070200028       | 1    | RING, SNAP 28      | ANILLO RETENEDOR 28        |
| 11  | A556000181        | 1    | DRUM, CLUTCH       | TAMBOR DE EMBRAGUE         |
| 12  | <b>P021016610</b> | 1    | <b>CLUTCH ASSY</b> | <b>MONTAJE DE EMBRAGUE</b> |
| 13  | A557000000        | 2    | +BOLT              | +PERNO                     |
| 14  | V453000100        | 1    | +SPRING, FLAT      | +RESORTE PLANA             |
| 15  | V451000480        | 1    | +SPRING, TENSION   | +RESORTE DE TENSIÓN        |
| 16  | A553000040        | 2    | +SHOE, CLUTCH      | +ZAPATA DE EMBRAGUE        |
| 17  | 17504903920       | 2    | +WASHER 8.2x17x1.6 | +ARANDELA 8.2x17x1.6       |

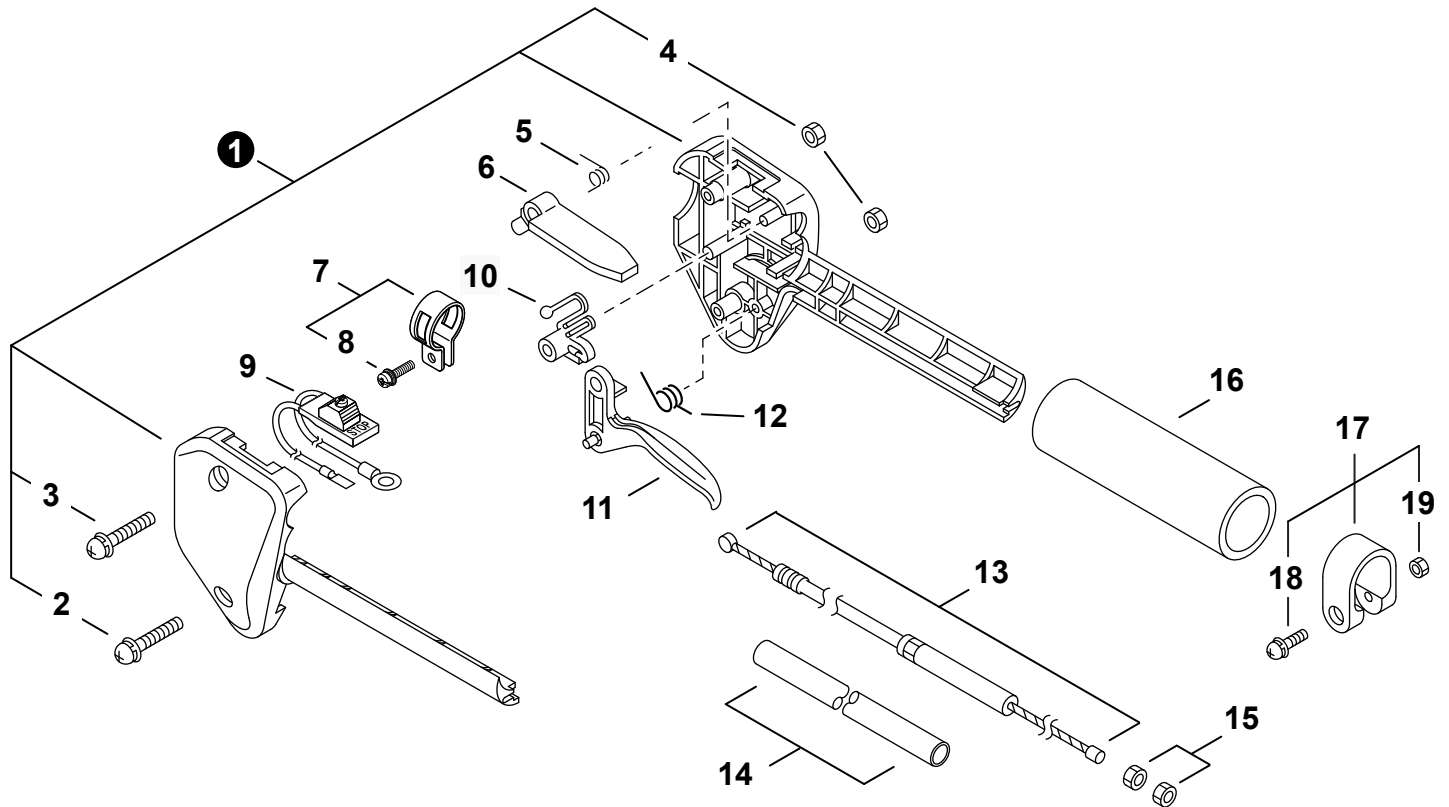


| NO. | PART NUMBER | QTY. | DESCRIPTION       | DESCRIPCIÓN            |
|-----|-------------|------|-------------------|------------------------|
| 1   | 89017751830 | 1    | LABEL - CAUTION   | ETIQUETA DE PRECAUCIÓN |
| 2   | 89016054130 | 1    | LABEL - CAUTION   | ETIQUETA DE PRECAUCIÓN |
| 3   | 89031749030 | 1    | LABEL - CAUTION   | ETIQUETA DE PRECAUCIÓN |
| 4   | 30130524330 | 1    | RING, HARNESS     | ANILLO DEL ARNÉS       |
| 5   | 69901203330 | 1    | SPACER            | ESPACIADOR             |
| 6   | 9112105020  | 1    | BOLT, FLANGE      | PERNO DE BRIDA         |
| 7   | 30120707531 | 1    | HANGER, HARNESS   | COLGADOR DE ARNÉS      |
| 8   | C050000050  | 1    | PIPE, MAIN        | TUBO PRINCIPAL         |
| 9   | 89015204930 | 2    | LABEL - ALIGNMENT | ETIQUETA - ALINEACIÓN  |
| 10  | 61001149931 | 1    | DRIVESHAFT        | EJE DE TRANSMISIÓN     |

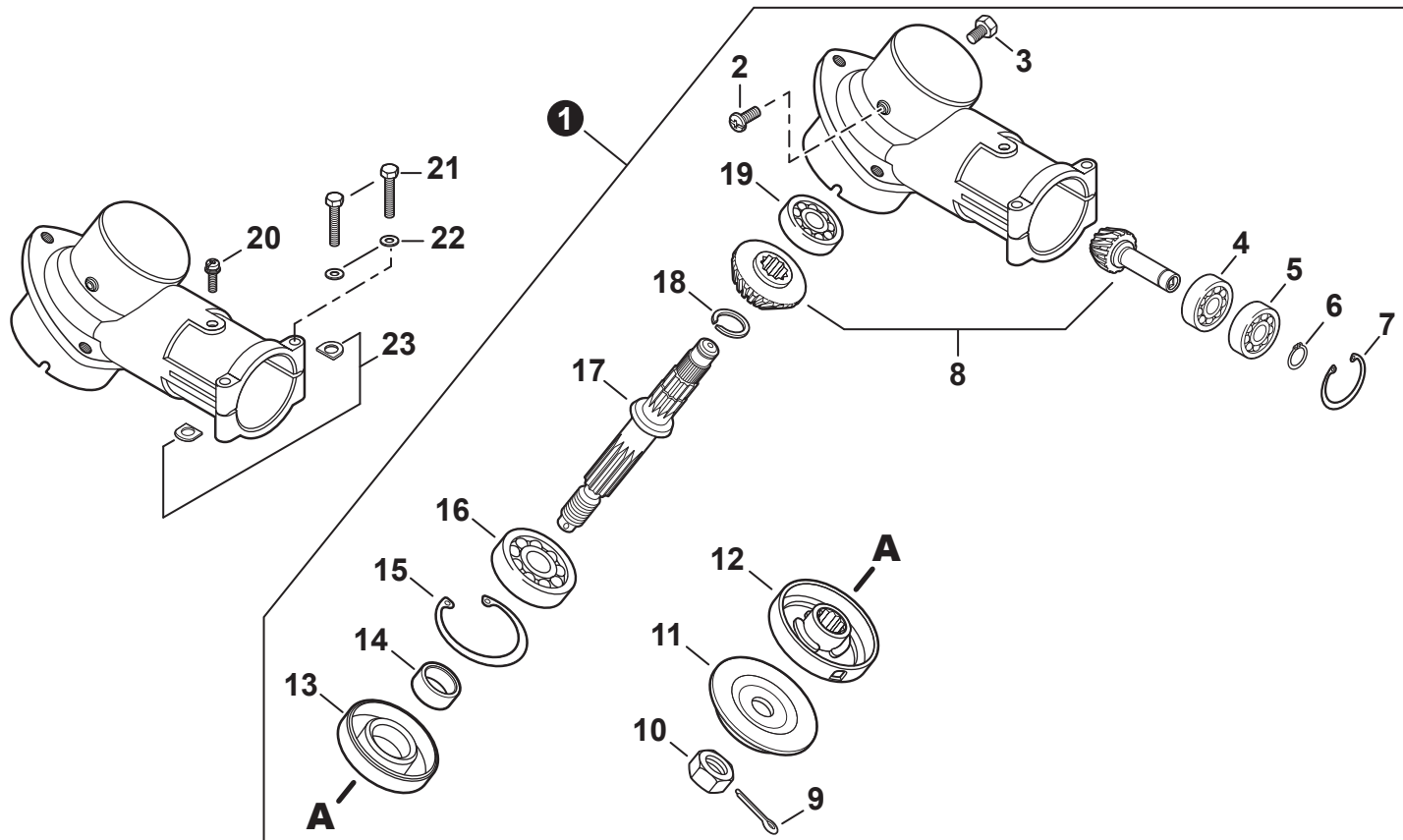


| NO. | PART NUMBER | QTY. | DESCRIPTION        | DESCRIPCIÓN              |
|-----|-------------|------|--------------------|--------------------------|
| 1   | 35120150431 | 1    | HANDLE ASSY - LOOP | MONTAJE DE MANGO DE LAZO |
| 2   | 35120507131 | 1    | +HANDLE, LOOP      | +MANGO DE LAZO           |
| 3   | 90024205035 | 4    | +SCREW 5x35        | +TORNILLO 5x35           |
| 4   | 90024205014 | 2    | +SCREW 5x14        | +TORNILLO 5x14           |
| 5   | 35123207130 | 1    | +BRACKET, HANDLE   | +SOPORTE DE MANGO        |
| 6   | 35164355630 | 1    | +BAR, BARRIER      | +BARRA DE PROTECCIÓN     |
| 7   | 90050000005 | 4    | +NUT M5            | +TUERCA M5               |

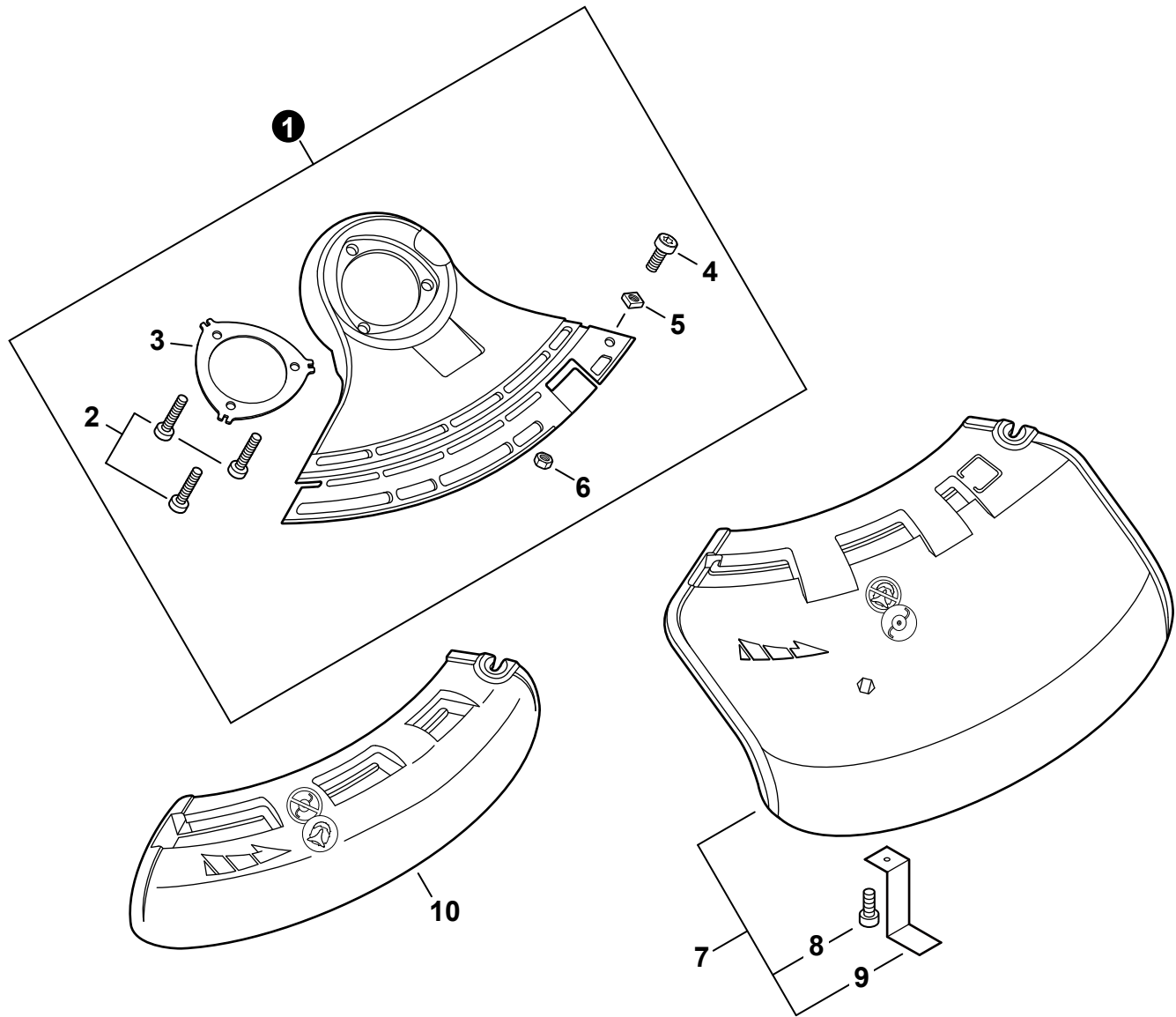




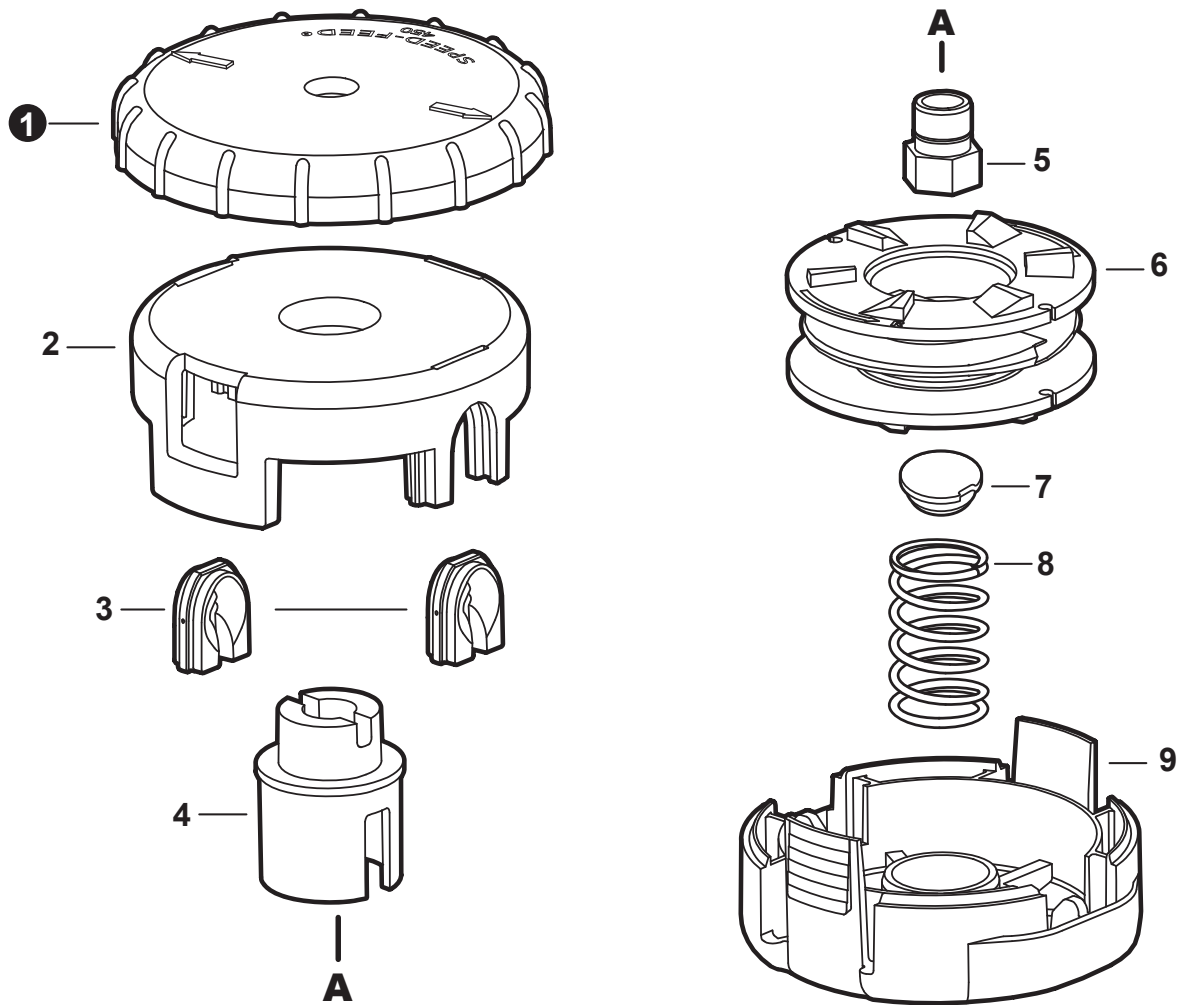
| NO. | PART NUMBER | QTY. | DESCRIPTION             | DESCRIPCIÓN                      |
|-----|-------------|------|-------------------------|----------------------------------|
| 1   | 17800351830 | 1    | HANDLE KIT, CONTROL     | JUEGO DE MANGO PARA CONTROL      |
| 2   | 90024205025 | 1    | +SCREW 5x25             | +TORNILLO 5x25                   |
| 3   | 90024205035 | 1    | +SCREW 5x35             | +TORNILLO 5x35                   |
| 4   | 90050000005 | 2    | +NUT M5                 | +TUERCA M5                       |
| 5   | 17801352630 | 1    | SPRING, TORSION         | RESORTE DE TORSIÓN               |
| 6   | 17809052632 | 1    | LEVER, THROTTLE LOCKOUT | PALANCA SEGURO DEL ACELERADOR    |
| 7   | 30120042230 | 1    | CLAMP KIT               | JUEGO DE ABRAZADERA              |
| 8   | 90024205014 | 1    | +SCREW 5x14             | +TORNILLO 5x14                   |
| 9   | A440003530  | 1    | SWITCH, ON-OFF          | INTERRUPTOR DE ENCENDIDO-APAGADO |
| 10  | 17801252730 | 1    | LOCKOUT, THROTTLE       | SEGURO DEL ACELERADOR            |
| 11  | 17801052130 | 1    | TRIGGER, THROTTLE       | GATILLO DEL ACELERADOR           |
| 12  | 17804342230 | 1    | SPRING, TORSION         | RESORTE DE TORSIÓN               |
| 13  | V430005330  | 1    | CABLE, THROTTLE         | CABLE DEL ACELERADOR             |
| 14  | V475000850  | 1    | TUBE, FLEXIBLE          | TUBO FLEXIBLE                    |
| 15  | 90050200006 | 2    | NUT M6                  | TUERCA M6                        |
| 16  | 35121351830 | 1    | GRIP, HANDLE            | AGARRE                           |
| 17  | 61027251830 | 1    | CLAMP KIT               | JUEGO DE ABRAZADERA              |
| 18  | 90024205028 | 1    | +SCREW 5x28             | +TORNILLO 5x28                   |
| 19  | 90050000005 | 1    | +NUT M5                 | +TUERCA M5                       |



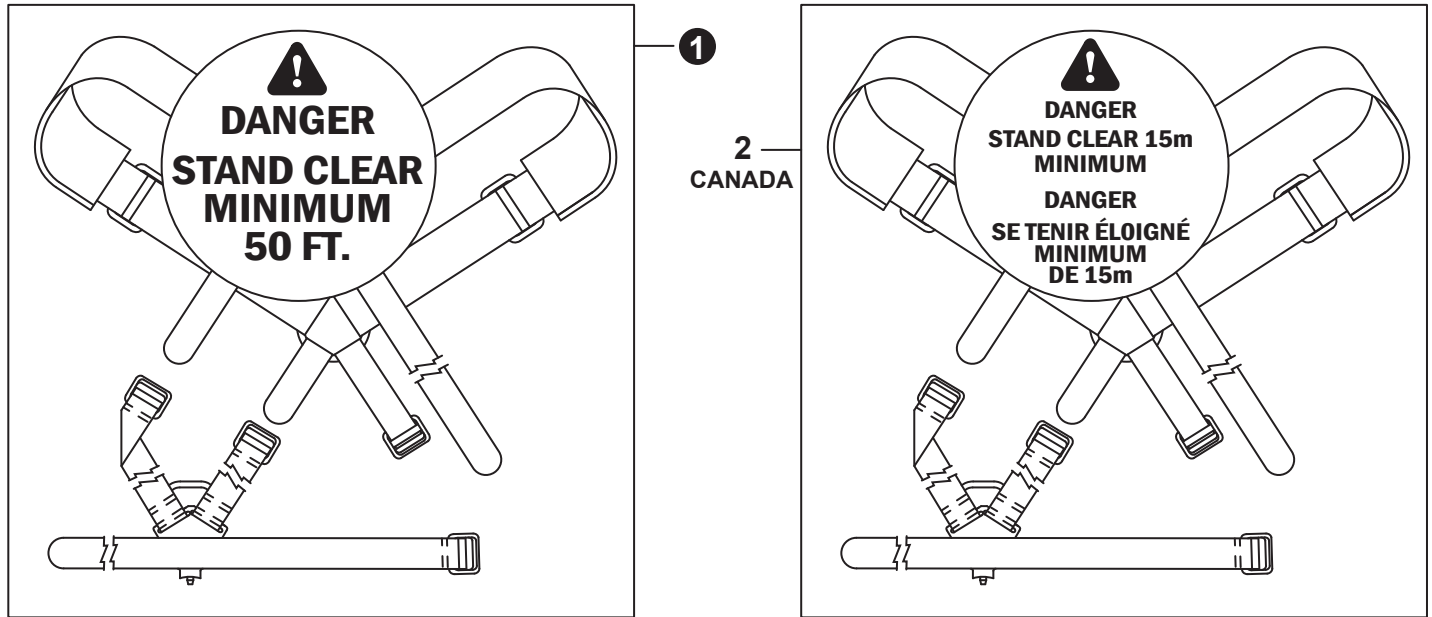
| NO. | PART NUMBER | QTY. | DESCRIPTION             | DESCRIPCIÓN                   |
|-----|-------------|------|-------------------------|-------------------------------|
| 1   | P021046200  | 1    | GEAR CASE ASSY          | MONTAJE DE CAJA DE ENGRANAJES |
| 2   | 90022004006 | 1    | +SCREW 4x6              | +TORNILLO 4x6                 |
| 3   | 61043450031 | 1    | +BOLT M8x8              | +PERNO M8x8                   |
| 4   | 90080036001 | 1    | +BEARING, BALL 6001     | +COJINETE DE BOLAS 6001       |
| 5   | 90080706001 | 1    | +BEARING, BALL 6001     | +COJINETE DE BOLAS 6001       |
| 6   | 90070100012 | 1    | +RING, SNAP 12          | +ANILLO RETENEDOR 12          |
| 7   | 90070200028 | 1    | +RING, SNAP 28          | +ANILLO RETENEDOR 28          |
| 8   | 61030040430 | 1    | +GEAR SET               | +JUEGO DE ENGRANAJES          |
| 9   | 90030020022 | 1    | +PIN, COTTER 2x22       | +PASADOR DE CHAVETA 2x22      |
| 10  | 90051100010 | 1    | +NUT 10                 | +TUERCA 10                    |
| 11  | C535000150  | 1    | +PLATE, ADAPTOR - LOWER | +PLACA DEL ADAPTADOR INFERIOR |
| 12  | 61031307132 | 1    | +PLATE, ADAPTOR - UPPER | +PLACA DEL ADAPTADOR SUPERIOR |
| 13  | 61041307130 | 1    | +SEAL, OIL 22           | +SELLO DE ACEITE 22           |
| 14  | 61031507130 | 1    | +SPACER 11.8x15x9       | +ESPACIADOR 11.8x15x9         |
| 15  | 90070200032 | 1    | +RING, SNAP 32          | +ANILLO RETENEDOR 32          |
| 16  | 90081006201 | 1    | +BEARING, BALL 6201     | +COJINETE DE BOLAS 6201       |
| 17  | 61031041030 | 1    | +SHAFT, GEAR            | +EJE DE ENGRANAJE             |
| 18  | 90070600012 | 1    | +RING, SNAP 12          | +ANILLO RETENEDOR 12          |
| 19  | 90080036000 | 1    | +BEARING, BALL 6000     | +COJINETE DE BOLAS 6000       |
| 20  | 90024205010 | 1    | SCREW 5x10              | TORNILLO 5x10                 |
| 21  | 90010005040 | 2    | BOLT 5x40               | PERNO 5x40                    |
| 22  | 90060000005 | 2    | WASHER, FLAT 5.5x10x0.8 | ARANDELA 5.5x10x0.8           |
| 23  | 61023904130 | 2    | D-WASHER                | ARANDELA D                    |



| NO. | PART NUMBER | QTY. | DESCRIPTION                             | DESCRIPCIÓN  |
|-----|-------------|------|---|--|
| 1   | P021051260  | 1    | BASE ASSY, DEBRIS SHIELD                | MONTAJE DE BASA DEL PROTECTOR CONTRA RESIDUOS                  |
| 2   | V805000150  | 3    | +BOLT, TORX 5x16                        | +PERNO TORX 5x16   |
| 3   | C552000240  | 1    | +PLATE, SHIELD                          | +PLACA DE PROTECTOR  |
| 4   | V805000170  | 1    | +BOLT, TORX 5x25                        | +PERNO TORX 5x25   |
| 5   | 90056550005 | 1    | +NUT - 5 - SQUARE                       | +TUERCA - 5 - CUADR  |
| 6   | 90056200005 | 1    | +NUT, LOCK M5                           | +CONTRATUERCA M5   |
| 7   | P021043981  | 1    | SHIELD ASSY, DEBRIS - TRIMMER EXTENSION | MONTAJE DE PROTECTOR CONTRA RESIDUOS - EXTENSIÓN PARA PODADORA |
| 8   | V805000150  | 1    | +BOLT, TORX 5x16                        | +PERNO TORX 5x16   |
| 9   | C554000002  | 1    | +CUTTER, LINE                           | +CUCHILLA DEL HILO   |
| 10  | C550000541  | 1    | SHIELD, DEBRIS - BLADE EXTENSION        | EXTENSIÓN DE PROTECTOR CONTRA RESIDUOS - CUCHILLA              |

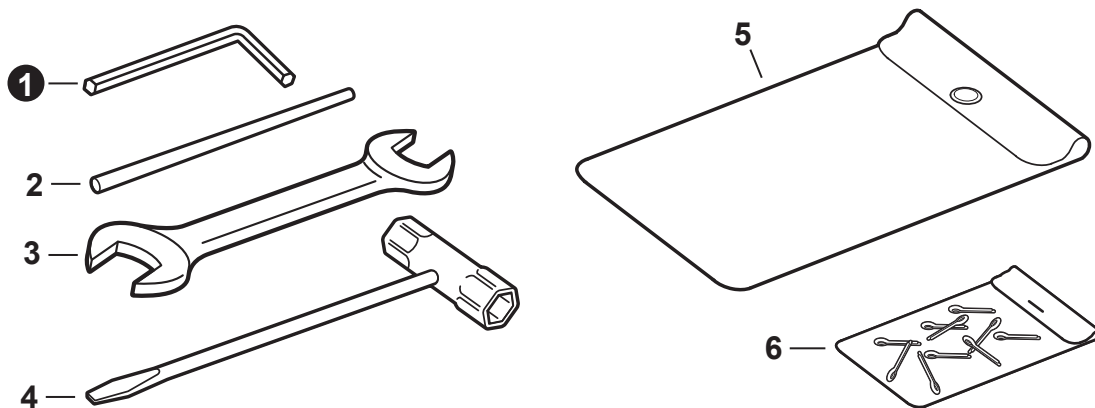


| NO. | PART NUMBER | QTY. | DESCRIPTION              | DESCRIPCIÓN          |
|-----|-------------|------|--------------------------|----------------------|
| 1   | E415000111  | 1    | KNOB                     | PERILLA              |
| 2   | X470000211  | 1    | HOUSING, SPOOL           | CAJA DEL CARRETE     |
| 3   | X475000050  | 2    | EYELET                   | OJAL                 |
| 4   | X476000021  | 1    | HUB, SPOOL               | CUBO DEL CARRETE     |
| 5   | V160000150  | 1    | BUSHING M10x1.25 LH GOLD | BUJE M10x1.25 LH ORO |
| 6   | X473000031  | 1    | SPOOL LH                 | CARRETE LH           |
| 7   | V494000840  | 1    | CAP, SPRING              | TAPA DE RESORTE      |
| 8   | V450001880  | 1    | SPRING, GOLD             | RESORTE ORO          |
| 9   | X472000031  | 1    | COVER, SPOOL             | CUBIERTA DEL CARRETE |

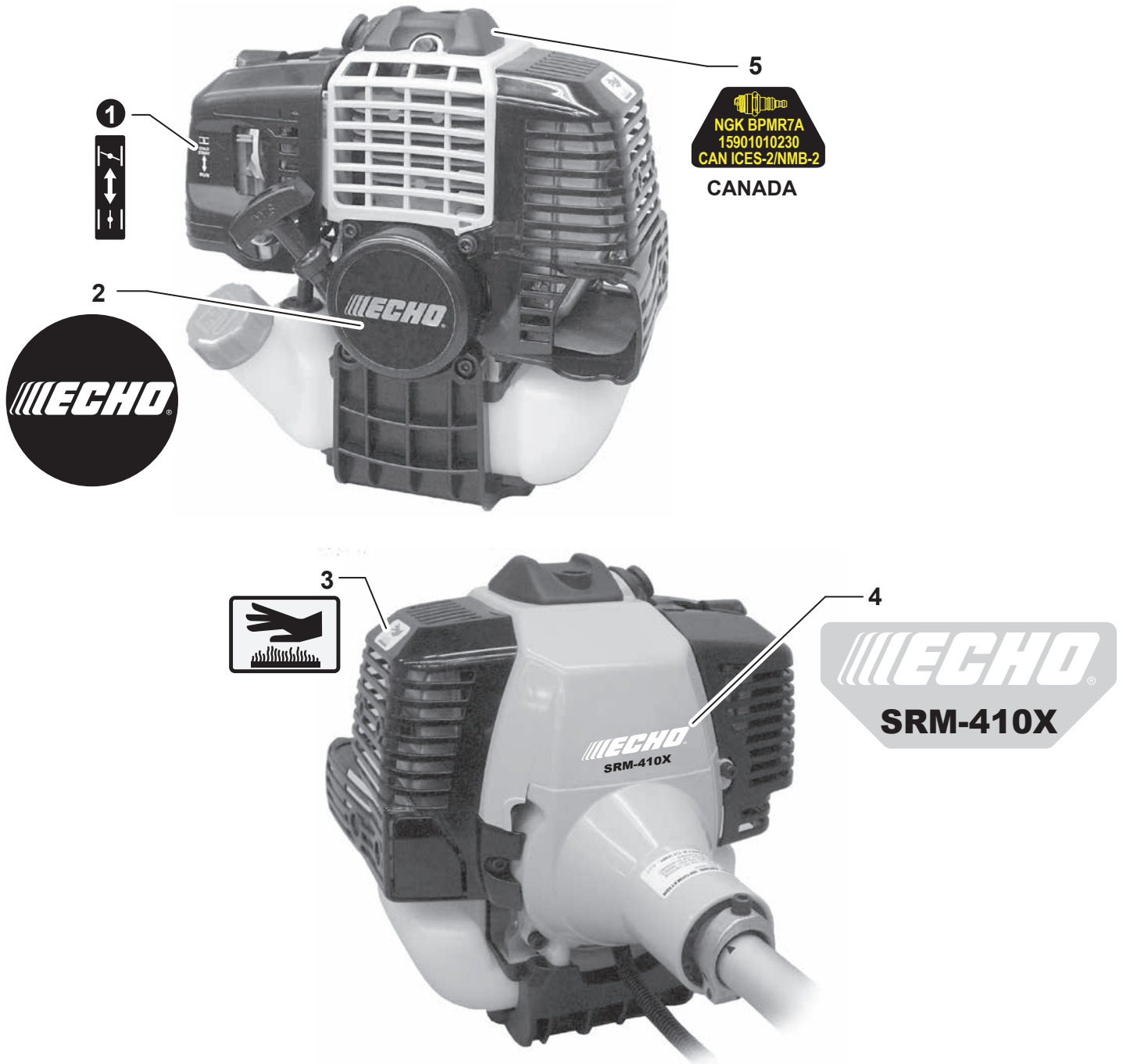


| NO. | PART NUMBER | QTY. | DESCRIPTION       | DESCRIPCIÓN          |
|-----|-------------|------|-------------------|----------------------|
| 1   | 30100051831 | 1    | HARNESS, SHOULDER | ARNÉS PARA EL HOMBRO |
| 2   | 30100049731 | 1    | HARNESS, SHOULDER | ARNÉS PARA EL HOMBRO |

**Tools**  
Herramientas



| NO. | PART NUMBER | QTY. | DESCRIPTION                   | DESCRIPCIÓN                             |
|-----|-------------|------|-------------------------------|---|
| 1   | X605000100  | 1    | WRENCH, ALLEN 4 MM            | LLAVE ALLEN 4 MM                        |
| 2   | X606000080  | 1    | TOOL, LOCKING 5x120 MM        | HERRAMIENTA DE SEGURIDAD 5x120 MM       |
| 3   | 89511200330 | 1    | SPANNER 8x10                  | LLAVE DE TUERCAS 8x10                   |
| 4   | X602000020  | 1    | T-WRENCH 17x19 L200           | LLAVE EN T 17x19 L200                   |
| 5   | 89851039130 | 1    | BAG, TOOL                     | BOLSA DE HERRAMIENTAS                   |
| 6   | 89850201130 | 10   | PIN, COTTER 2x22 (PKG. OF 10) | PASADOR DE CHAVETA 2x22 (PAQUETE DE 10) |



| NO. | PART NUMBER | QTY. | DESCRIPTION                 | DESCRIPCIÓN                     |
|-----|-------------|------|-----------------------------|---------------------------------|
| 1   | 89033252730 | 1    | LABEL - CHOKE               | ETIQUETA DEL ESTRANGULADOR      |
| 2   | X502000460  | 1    | LABEL - STARTER - ECHO      | ETIQUETA DE ARRANCADOR ECHO     |
| 3   | X505002310  | 1    | LABEL - CAUTION - HOT       | ETIQUETA DE PRECAUCIÓN CALIENTE |
| 4   | X547003690  | 1    | LABEL - MODEL - SRM-410X    | ETIQUETA MODELO SRM-410X        |
| 5   | X532005000  | 1    | LABEL - SPARK PLUG - BPMR7A | ETIQUETA DE BUJÍA BPMR7A        |

+ Denotes item is part of an assembly  
++ Denotes item is part of a sub-assembly

+ Denota artículo forma parte de una asamblea  
++ Denota artículo forma parte de un submontaje

| NO. | PART NUMBER | QTY. | DESCRIPTION           | DESCRIPCIÓN                   |
|-----|-------------|------|-----------------------|-------------------------------|
| 1   | P021003371  | 1    | GASKET KIT            | JUEGO DE EMPAQUETADURA        |
| 2   | 14586642031 | 1    | +GASKET, EXHAUST      | +EMPAQUETADURA DE ESCAPE      |
| 3   | V100000040  | 1    | +GASKET, CYLINDER     | +EMPAQUETADURA DE CILINDRO    |
| 4   | V102000001  | 1    | +GASKET, CRANKCASE    | +EMPAQUETADURA DE CÁRTER      |
| 5   | V103000070  | 1    | +GASKET, INTAKE       | +EMPAQUETADURA DE ADMISIÓN    |
| 6   | V103000080  | 1    | +GASKET, INTAKE       | +EMPAQUETADURA DE ADMISIÓN    |
| 7   | V104000241  | 1    | +HEAT SHIELD, EXHAUST | +PROTECTOR TÉRMICO DEL ESCAPE |