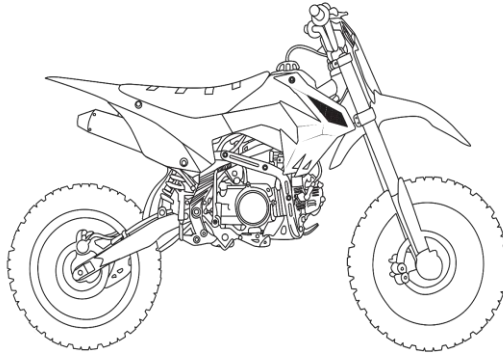


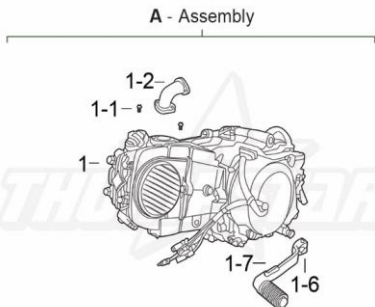
SPARE PART CATALOGUE | TSXC 125 SW TSXC 140 BW



**ENGINE**

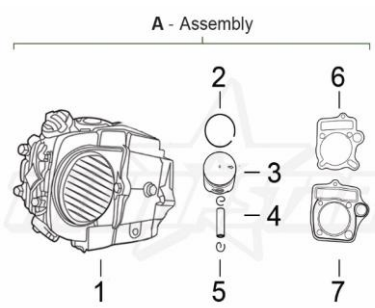
**ENGINE YX 140 and 125 SW**

POS.	PART NO	ERP CODE	ENGLISH NAME	QTY
A	3594		140cc Engine Complete Assembly	
A	3192		125cc Engine Complete Assembly	
<b>TSX 140 BW</b>				
1		W.140.122	YX 140cc kick start engine	1
<b>TSX 125 SW</b>				
1		W.125.114 0	YX 125cc kick start engine	1
<b>For all models</b>				
1-1		7.010.0030	M6 x 20M Hexagonal Flange Bolt	4
1-2		1.004.0060	26 mm Manifold	1
1-6		7.020.0010	M6 x 15M Hexagonal Flange Bolt	2
1-7		1.001.0090	12 mm Gear Lever	1



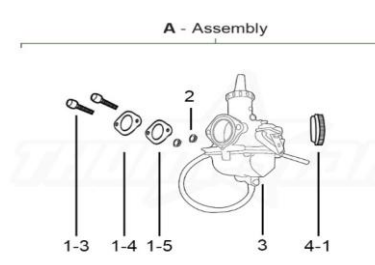
**COMPLETE TOP END**

POS.	PART NO	ERP CODE	ENGLISH NAME	QTY
A	3592		YX 125 Complete Assembly	
A	3593		YX 140 Complete Assembly	
1		1.057.0052 1.059.0062	Top End	1
2		1.102.0053	Piston's Ring	
3		1.101.0051	Piston	1
4		1.103.0042	Gadient Pin	1
5		1.104.0051	Gadient Pin lips	2
6		1.058.0013	Head Gasket	1
7		1.060.0022	Base Gasket	1



**CARBURETOR**

POS.	PART NO	ERP CODE	ENGLISH NAME	QTY
A	3603		VM-26 Carburetor Complete Assembly	
A	3635		VM-22 Carburetor Complete Assembly	
<b>TSX 140 BW</b>				
3		957 1.016.0190	Mkuni VM-26 Carburetor	1
<b>TSX 125 SW</b>				
3		3109 1.016.0170	Mkuni VM-22 Carburetor	1
<b>For all models</b>				
1-3		7.010.0050	M6 x 30M Hexagonal Flange Bolt	2
1-4		1.008.0020	Paper Manifold Pad	1
1-5		1.007.0020	Plastic Manifold Gasket	1
2		7.150.0010	M6 Hexagonal Locknut	2
4-1		1.030.0040	38-57 mm Hose Clamp	1



**AIR FILTER**

POS.	PART NO	ERP CODE	ENGLISH NAME	QTY
A	3637		42mm Air Filter Complete Assembly	

A - Assembly			
A	3638	38mm Air Filter Complete Assembly	
<b>TSX 140 BW</b>			
4	3004	1.027.0061	42mm Air Filter 1
<b>TSX 125 SW</b>			
4	3110	1.027.0041	38mm Air Filter 1
<b>For all models</b>			
4-1		1.030.0040	38-57 mm Hose Clamp 1
4-2			Mesh

STATOR GUARD				
POS.	PART NO	ERP CODE	ENGLISH NAME	QTY
A - Assembly				
A	3560		Stator Guard Complete Assembly	
5	7.140.0020		M8 Hexagonal Locknut	2
6	3.330.0180		φ9 x φ20 x 11 mm Engine pallet bushings	1
7	7.220.0020		φ8 mm Spring Washer	2
8	7.210.0080		φ8 x φ16 mm Flat washer	2
9	7.010.0300		M8 x 125M Hexagonal Flange Bolt	1
10	7.010.0270		M8 x 105M Hexagonal Flange Bolt	1
11	7.070.0040		M6 x 10M Hexagon Socket Head Cap Screws	2
12	3518	1.137.0110	Left Engine Cover	1
13	9212		CNC Stator Guard	
14	3561		Plastic Sprocket Cover	

KICK START				
POS.	PART NO	ERP CODE	ENGLISH NAME	QTY
A - Assembly				
13	3562	1.002.0110	16 mm Kick Start Lever	1

MUFFLER				
POS.	PART NO	ERP CODE	ENGLISH NAME	QTY
A - Assembly				
A	3005		Exhaust Pipe Complete Assembly	
1	7.140.0010		M6 Hexagonal Locknut	2
2	3356	1.087.0010	Exhaust Pipe Gasket	1
3	3355	1.086.0230	Exhaust Pipe	1
4	1.081.0040		Heat Resistant Film	1
4-1	7.060.0020		M6 x 10M Hexagon Socket Head Cap Screws	2
4-2	7.220.0010		φ6 mm Spring Washer	2
4-3	7.210.0040		φ6 x φ12 mm Flat Washer	2
5	1.087.0045		Exhaust Pipe Seal	1
6	3354	1.085.0210	Muffler	1
7	7.010.0150		M8 x 30M Hexagonal Flange Bolt	1
8	7.210.0090		φ8 x φ22 mm Flat Washer	1
9	7.220.0020		φ8 mm Spring Washer	1
10	1.089.0040		Clamp	1

BAR / FORK CLAMPS				
POS.	PART NO	ERP CODE	ENGLISH NAME	QTY
A - Assembly				
A	3663		Bar Clamps Complete Assembly	
1	3008	4.090.0100	Bar Clamp Raisers	2
2	3482	4.080.0120	Bar Clamp	2
3	3343	7.260.0020	Steering stem Nut	1
4	7.210.0270		φ23 x φ35 mm Flat Washer	1
5	7.070.0210		M8 x 90M Hexagon Socket Head Cap Screws	4
6	7.140.0020		M8 Hexagonal Locknut	4
7	3480	4.060.0100	Upper Fork Clamp	1
8	3241	7.270.0030	Alien nut	1
9	3481	4.100.0040	Steering Axle	1
10	3344	7.350.0050	Steering Bearing	1
11	3649	4.070.0090	Lower Fork Clamp	1
12		7.110.0030	M5 x 12M Crossed Round Headed Screw	1
13	3065	7.430.0050	Buckle	1
14	7.070.0140		M8 x 16M Hexagon Socket Head Cap Screws	2
15	7.220.0020		φ8 mm Spring Washer	2
16	3243	7.350.0040	Taper bearings	

STEERING HEAD BEARING				
POS.	PART NO	ERP CODE	ENGLISH NAME	QTY
A - Assembly				
A	3639		Steering head bearing Complete Assembly	
8	3241	7.270.0030	Shaped nut	1
10	3344	7.350.0050	Steering Bearing	1
16	3243	7.350.0040	φ22 x φ44 mm (320-22) Taper Bearing	1



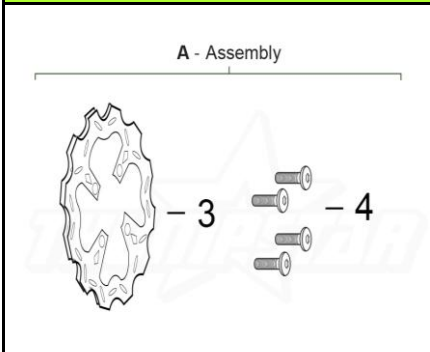






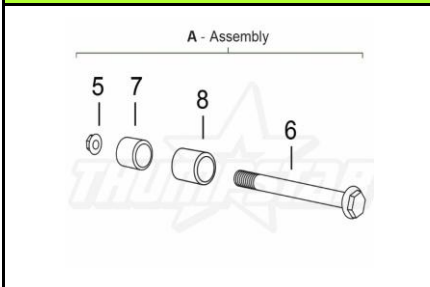
FRONT BRAKE SYSTEM				
<b>FRONT BRAKE ASSEMBLY</b>				
POS.	PART NO	ERP CODE	ENGLISH NAME	QTY
A	3041		Front Brake Complete Assembly	
10		7.010.0060	M6 x 35M Hexagonal Flange Bolt	2
11		7.210.0040	Φ6 x Φ12 mm Flat Washer	4
12-1	3544	4.450.0090	Brake Pads	1 set
12-3		4.410.0010	Upper Front Brake Pump	1
12-4		4.420.0082	Lower Front Brake Pump	1
12-5		4.180.0090	Front Brake Hose Line	1
12-6		4.350.0080	Front Caliper Mounting Plate	
<b>BRAKE LEVER</b>				
POS.	PART NO	ERP CODE	ENGLISH NAME	QTY
A	3575		Brake Lever Complete Assembly	
6		7.010.0030	M6 x 20M Hexagonal Flange Bolt	2
7		7.140.0010	M6 Hexagonal Locknut	2
12-2		4.310.0111	Brake Lever	1
<b>BRAKE PADS</b>				
POS.	PART NO	ERP CODE	ENGLISH NAME	QTY
A	3576		Brake Pads Complete Assembly	
12-1	3544	4.450.0090	Brake Pads	1 set
13			Spring	
13-1			bolts	
FRONT DRIVING SYSTEM				
<b>FRONT WHEEL ASSEMBLY</b>				
POS.	PART NO	ERP CODE	ENGLISH NAME	QTY
A	3578		17" Front Wheel Complete Assembly	
A	3577		14" Front Wheel Complete Assembly	
<b>TSX 140 BW</b>				
1	3046	3.070.0281	17" Front Rim and Hub Set	1
1-1		3.020.0610	17" Rim	1
1-2		3.050.0030	9K Spiral nuts	32
1-3		3.040.0041	50-2 outside 189mm Spokes	16
1-3		3.040.0040	50-2 outside 187mm Spokes	16
<b>TSX 125 SW</b>				
1	3115	3.070.0175	14" Front Rim and Hub Set	1
1-1		3.020.0270	14" Rim	1
1-2		3.050.0030	9k Spiral nuts	32
1-3			Spokes	16
1-3			Spokes	16
<b>For all models</b>				
1-4		3.010.0010	Hub core	1
1-5		7.390.0110	Fully enclosed bearings	2
5		7.140.0050	All-metal hexagonal flange lock nuts	1
6		3.130.0422	Axle with hole for split pin	1
7		3.330.0620	Right Wheel Spacer	1
8		3.330.0660	Left Wheel Spacer	1
9		3.030.0050	Protector	1
<b>FRONT TYRE ASSEMBLY</b>				
POS.	PART NO	ERP CODE	ENGLISH NAME	QTY
A	3574		17" Front Tyre Complete Assembly	
A	3579		14" Front Tyre Complete Assembly	
<b>TSX 140 BW</b>				
2		3.090.0270	17" Dirt Tyre	1
2-1		3.090.0900	17" Inner Tube	1
<b>TSX 125 SW</b>				
2		3.090.0250	14" Dirt Tyre	1
2-1		3.090.0900	14" Inner Tube	1

**FRONT DISC**



POS.	PART NO	ERP CODE	ENGLISH NAME	QTY
A	3044		Front Disc Complete Assembly	
3	4.230.0130		Φ220 x 76 mm Front Disc Brake Plate	1
4	7.080.0010		M8*16 Hexagon Socket Bolt	4

**FRONT AXLE ASSEMBLY**



POS.	PART NO	ERP CODE	ENGLISH NAME	QTY
A	3123		Front Axle Complete Assembly	
5	7.140.0050		All-metal hexagonal flange lock nuts	1
6	3.130.0422		Wheel axle	1
7	3.330.0620		Φ15*Φ22*26 mm Spacer	1
8	3.330.0660		Φ15*Φ22*30 mm Spacer	1

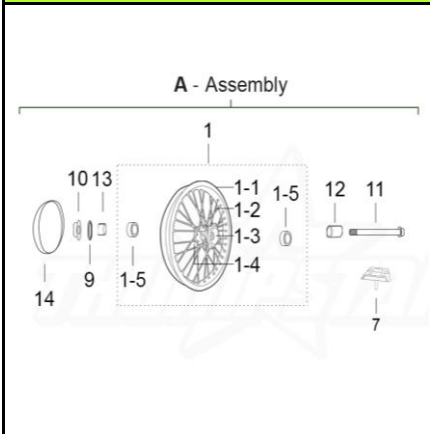
**FRONT WHEEL BEARING**



POS.	PART NO	ERP CODE	ENGLISH NAME	QTY
1-5	3580	7.390.0110	6202 Front wheel Bearing	2

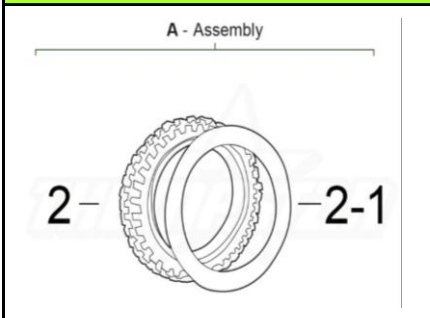
**REAR DRIVING SYSTEM**

**REAR WHEEL ASSEMBLY**



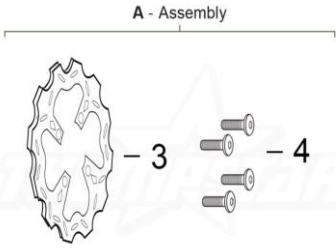
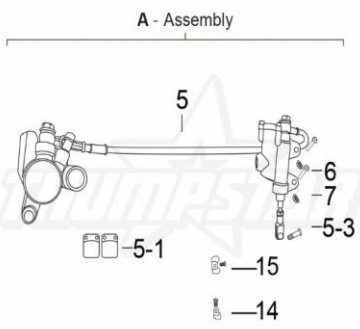
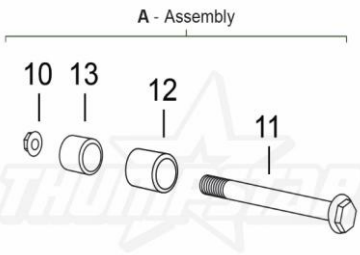

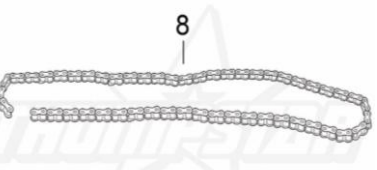

POS.	PART NO	ERP CODE	ENGLISH NAME	QTY
A	3581		14" Rear Wheel Complete Assembly	
A	3582		12" Rear Wheel Complete Assembly	
<b>TSX 140 BW</b>				
1	10258	3.080.0214	14" Rear Rim and Hub Set	1
1-1		3.020.0941	Aluminum rim	1
1-2		3.050.0030	9K Spiral nuts	32
1-3		3.040.0240	50-2 outside 156mm Spokes	16
1-3		3.040.0230	50-2 outside 153mm Spokes	16
1-4		3.010.0020	Hub core	1
1-5		7.390.0110	Fully enclosed bearings	2
<b>TSX 125 SW</b>				
1	10399	3.080.0124	12" Rear Rim and Hub Set	1
1-1		3.020.0850	Aluminum rim	1
1-2		3.050.0030	9k Spiral nuts	32
1-3		3.040.0210	50-2 outside 132 mm Spokes	16
1-3		3.040.0200	50-2 outside 129 mm Spokes	16
1-4		3.010.0020	Hub core	1
1-5		7.390.0110	Fully enclosed bearings	2
<b>For all models</b>				
7		3.110.0040	Inner tube anti-lock	1
9		7.210.0230	Flat Washers	1
10		7.140.0050	All-metal hexagonal flange lock nuts	1
11		3.130.0381	Axle with hole for split pin	1
12		3.330.0680	Right Wheel Spacer	1
13		3.330.0610	Left Wheel Spacer	1
14		3.030.0030	Lining	1

**REAR TYRE ASSEMBLY**

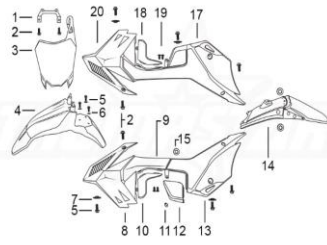


POS.	PART NO	ERP CODE	ENGLISH NAME	QTY
A	3583		14" Rear tyre Complete Assembly	
A	3584		12" Rear tyre Complete Assembly	
<b>TSX 140 BW</b>				
2		3.090.1022	14" Dirt Tyre	1
2-1		3.090.1020	14" Inner Tube	1
<b>TSX 125 SW</b>				
2		3.090.0270	12" Dirt Tyre	1
2-1		3.090.0271	12" Inner Tube	1



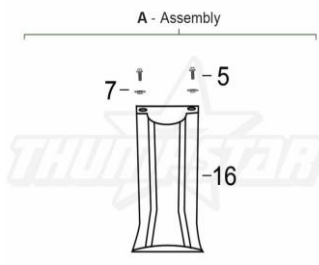
REAR DISC		POS.	PART NO	ERP CODE	ENGLISH NAME	QTY
		A	3045		Rear Disc Complete Assembly	
		3		4.240.0070	Brake Plate	1
		4		7.080.0010	M8 x 16M Hexagon Countersunk Screw	4
REAR BRAKE ASSEMBLY		POS.	PART NO	ERP CODE	ENGLISH NAME	QTY
		A	3682		Rear Brake Complete Assembly	
		5		4.170.0201	Rear Brake System	1
		5-1	3543	4.450.0110	Brake Pad	1 set
		5-3		7.230.0010	Φ1.5*16 mm Cotter pin	1
		14	3042	7.430.0010	Buckle	1
		15	3479	7.430.0020	Buckle	1
		6		7.010.0030	M6 x 20M Hexagonal Flange Bolt	2
		7		7.140.0010	M6 Hexagonal Locknut	2
REAR AXLE ASSEMBLY		POS.	PART NO	ERP CODE	ENGLISH NAME	QTY
		A	3655		Front Axle Complete Assembly	
		10		7.140.0050	M14 x 1.5 mm Hexagonal Locknut	1
		11	3122	3.130.0381	Φ15*215 M14 1.5 (Screw thread Φ15 note)	1
		12		3.330.0680	Φ15*Φ22*34 mm Spacer	1
		13		3.330.0610	Φ15*Φ22*25 mm Spacer	1
REAR WHEEL BEARING		POS.	PART NO	ERP CODE	ENGLISH NAME	QTY
		1-5	3580	7.390.0110	6202 Rear Wheel Bearing	2
CHAIN		POS.	PART NO	ERP CODE	ENGLISH NAME	QTY
		8	3119	2.010.0690	428 x 114 Link Chain	1
CHAIN ADJUSTER		POS.	PART NO	ERP CODE	ENGLISH NAME	QTY
		A	3201		Chain Adjuster Complete Assembly	





POS.	PART NO	ERP CODE	ENGLISH NAME	QTY
4	3259	6.130.0107	Front Mud Guard	1
5		7.010.0020	M6 x 16M Hexagonal Flange Bolt	11
6		7.210.0070	Φ6*Φ18*1.5 mm Flat Washer	3
7		7.140.0010	M6 Hexagonal Locknut	6
8	3357		STEALTH Front left shroud	1
9		6.170.0061	Front left Plastic	1
10		6.170.0080	Left front panel	1
11		7.100.0020	Cross recessed pan head tapping screws	1
12		6.170.0090	Left rear panel	1
13		6.170.0071	Left rear side panel	1
14	3260	6.140.0101	Rear Mud Guard	1
15		6.250.0020	Plastic parts plug	3
17		6.180.0071	Right side panel	1
18		6.180.0060	Right front panel	1
19		7.100.0030	Cross recessed pan head tapping screws	4
20	3358	6.160.0069	STEALTH Front right shroud	1

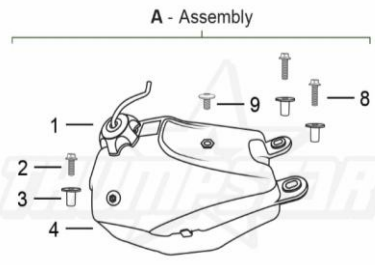
**SHOCK GUARD** POS. PART NO ERP CODE ENGLISH NAME QTY



POS.	PART NO	ERP CODE	ENGLISH NAME	QTY
A	3039		Shock Guard Complete Assembly	
5		7.010.0020	M6 x 16M Hexagonal Flange Bolt	11
7		7.140.0010	M6 Hexagonal Locknut	6
16		6.230.0012	Shock Mud Guard	1

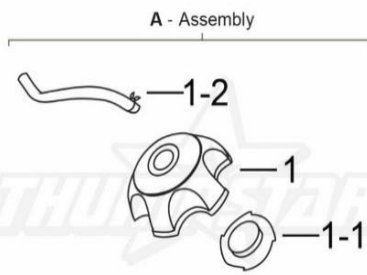
FUEL DELIVERY SYSTEM

**TANK ASSEMBLY** POS. PART NO ERP CODE ENGLISH NAME QTY



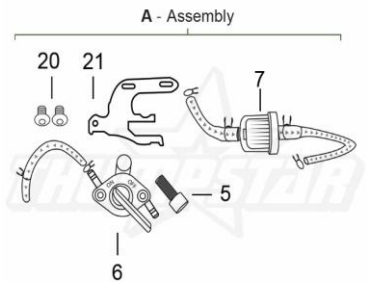
POS.	PART NO	ERP CODE	ENGLISH NAME	QTY
A	3540		Tank Complete Assembly	
1	3052	6.090.0170	Fuel Cap	1
2		7.010.0040	M6 x 25M Hexagonal Flange Bolt	1
3		3.340.0350	Φ6.5 x Φ9-Φ20 x 15-17 mm Step Washer	3
4	3532	6.080.0110	Fuel Tank	1
8		7.010.0050	M6 x 30M Hexagonal Flange Bolt	2
9		7.050.0010	M6 x 25M Hexagon Socket Head Cap Screws	1

**FUEL TAP ASSEMBLY** POS. PART NO ERP CODE ENGLISH NAME QTY



POS.	PART NO	ERP CODE	ENGLISH NAME	QTY
A	3542		Fuel Tap Complete Assembly	1
1-2		1.161.0030	Hose	1
1		6.090.0170	Cap	1
1-1			Seal	1

**FUEL SWITCH ASSEMBLY** POS. PART NO ERP CODE ENGLISH NAME QTY



POS.	PART NO	ERP CODE	ENGLISH NAME	QTY
A	3585		Fuel Switch Complete Assembly	
5		7.070.0060	M6 x 16M Hexagon Socket Head Cap Screws	1
6	3051	1.020.0010	Fuel Tap	1
7		1.026.0020	Fuel Filter	1
10	3600	7.060.0020	Spring wire	1
11	3599	1.018.0020	Spring wire	1
20		7.060.0020	M6 x 10M Hexagon Socket Head Cap Screws	2
21	3062	1.018.0020	Fuel tap and filter mount	1



<b>CLUTCH COVER</b>		POS.	PART NO	ERP CODE	ENGLISH NAME	QTY
		A	3588		Clutch Cover Complete Assembly	
		1		E13A034	Right Crankcase Cover	1
		2		E13B002	Right Crankcase Sealed	1
		3		97108012	Pitched Pin	2
		4		GB5787	Bolt	5
		5		GB5787	Bolt	1
		6		GB5787	Bolt	2
		7		D00C038	Oil Scale Assembly	1
		8		D00C060	O-Shaped Sealed Ring	1
		9		D00C016	Oil Seal	1
		10		E13L031	Clutch Cable Clip	1
		11		E13G010BC	Clutch Control Lever	1
		12		E13H007	Control Lever Return Spring	1
		13		F04C030	Oil Seal	1
14		208-7-14	Oil Pipe	1		
<b>STATOR</b>		POS.	PART NO	ERP CODE	ENGLISH NAME	QTY
		A	3680		Stator Complete Assembly	
		14	3589	1,044.0101	Stator YX 125	
		14	3590	1,044.0130	Stator YX 140	
<b>CARB REPAIR KIT</b>		POS.	PART NO	ERP CODE	ENGLISH NAME	QTY
		A	3596		Mikuni VM22 Complete Assembly	
		A	3597		VM26 PZ30 Complete Assembly	
<b>FRONT AND REAR MUD GUARD</b>		POS.	PART NO	ERP CODE	ENGLISH NAME	QTY
		A	3591		Front and Rear Mud Guard Complete Assembly	
		4	3259	6.130.0107	Front Mud Guard	1
		5		7.010.0020	M6 x 16M Hexagonal Flange Bolt	11
		6		7.210.0070	Φ6*Φ18*1.5 mm Flat Washer	3
		14	3260	6.140.0101	Rear Mud Guard	1
15		6.250.0020	Plastic parts plug	3		