

# **Kawasaki**

— ENGINES —

---

## OWNER'S MANUAL MANUAL DEL PROPIETARIO

4-STROKE ELECTRONIC FUEL INJECTION AIR-COOLED V-TWIN GASOLINE ENGINE  
MOTOR DE GASOLINA DE 4 TIEMPOS BICILÍNDRICO EN V CON REFRIGERACIÓN  
POR AIRE E INYECCIÓN ELECTRÓNICA DE COMBUSTIBLE

### **FX730V - EFI**



**ENGLISH**

# **General-purpose Engine Owner's Manual**

Original instructions



# SAFETY AWARENESS

Whenever you see the symbols shown below, heed their instructions! Always follow safe operating and maintenance practices.

## **DANGER**

**DANGER** indicates a hazardous situation which, if not avoided, will result in death or serious injury.

## **WARNING**

**WARNING** indicates a hazardous situation which, if not avoided, could result in death or serious injury.

## ***NOTICE***

**NOTICE** is used to address practices not related to personal injury.

## **NOTE**

○ *NOTE* indicates information that may help or guide you in the operation or service of the vehicle.

# READ THIS FIRST

For your safety, read this Owner's Manual and understand it thoroughly before operating this ENGINE.

## DANGER

Exhaust gas contains carbon monoxide, a colorless, odorless poisonous gas. Inhaling carbon monoxide can cause serious brain injury or death. **DO NOT** run the engine in enclosed areas. Operate only in a well-ventilated area. Gasoline is extremely flammable and can be explosive under certain conditions, creating the potential for serious burns. When refueling, servicing fuel system, draining gasoline and/or adjusting the carburetor: Stop engine and allow it to cool before refueling. **DO NOT** smoke. Make sure the area is well-ventilated and free from any source of flame or sparks, including the pilot light of any appliance. **DO NOT** fill the tank so the fuel level rises into the filler neck or level surface of level gauge. If the tank is overfilled, heat may cause the fuel to expand and overflow through the vents in the tank cap. Wipe off any spilled gasoline immediately. Engines can become extremely hot during normal operation. To prevent fire hazard: Keep the engine at least 1 m (3.3 ft) away from buildings, obstructions and other flammable objects. **DO NOT** place flammable objects close to the engine. **DO NOT** expose combustible materials to the engine exhaust. **DO NOT** use the engine on any forest covered, brush covered or grass covered unimproved land unless spark arrester is installed on the muffler. To avoid getting an electric shock, **DO NOT** touch spark plugs, plug caps or spark plug leads during engine running. To avoid a serious burn, **DO NOT** touch a hot engine or muffler. The engine becomes hot during operation. Before you service or remove parts, stop engine and allow the engine to cool. **DO NOT** place hands or feet near moving or rotating parts. Place a protective cover over pulley, V belt or coupling. **DO NOT** run engine at excessive speeds. This may result in injury. Always remove the spark plug caps from spark plugs when servicing the engine to prevent accidental starting.

Read warning labels which are on the engine and understand them. If any label is missing, damaged, or worn, get a replacement from an authorized Kawasaki engine dealer and install it in the correct position.

# EMISSION CONTROL INFORMATION

## Fuel Information

THIS ENGINE IS CERTIFIED TO OPERATE ON UNLEADED REGULAR GRADE GASOLINE ONLY. A minimum of 87 octane of the antiknock index is recommended. The antiknock index is posted on service station pumps in the U.S.A.

## Emission Control Information

To protect the environment in which we all live, Kawasaki has incorporated an exhaust emission control system in compliance with applicable regulations of the United States Environmental Protection Agency (EPA) and the California Air Resources Board (CARB). Also, depending on when your engine was produced, it may have an assigned emissions durability period.

\* See below for the engine emissions durability period that may apply to your engine.

## Exhaust Emission Control System

The exhaust emission control system applied to this engine consists of an Electronic Fuel Injection (EFI) system and an ignition system having optimum ignition timing characteristics. The EFI system has been calibrated to provide specific air/fuel mixture characteristics and optimum fuel economy with a suitable air cleaner and exhaust system.

A sealed-type crankcase emission control system is also used to eliminate blow-by gasses. The blow-by gasses are led to a breather chamber through the crankcase and from there to the air cleaner.

## Engine Emission Compliance Period

California	All Other States
<b>Engines Greater Than or Equal To 225cc</b>	<b>Engines Greater Than or Equal To 225cc</b>
Durability period-1 000 hours	Durability Period-1 000 hours (Category A)

★If your engine has an assigned emissions durability period it will be located on the certification label attached to the engine (IMPORTANT ENGINE INFORMATION).

## **High Altitude Performance Adjustment Information**

Engine models with fuel injection do not require high altitude performance adjustment.

## **Maintenance and Warranty**

Proper maintenance is necessary to ensure that your engine will continue to have low emission levels. This Owner's Manual contains those maintenance recommendations for your engine. Those items identified by the Periodic Maintenance Chart are necessary to ensure compliance with the applicable standards.

As the owner of the engine, you have the responsibility to make sure that the recommended maintenance is carried out according to the instructions in this Owner's Manual at your own expense.

The Kawasaki Limited Emission Control System Warranty requires that you return your engine to an authorized Kawasaki engine dealer for remedy under warranty. Please read the warranty carefully, and keep it valid by complying with the owner's obligations it contains.

## **Tampering with Emission Control System Prohibited**

Federal law and California State law prohibit the following acts or the causing there of: (1) the removal or rendering inoperative by any person other than for purposes of maintenance, repair, or replacement, of any device or element of design incorporated into any new engine for the purposes of emission control prior to its sale or delivery to the ultimate purchaser or while it is in use, or (2) the use of the engine after such device or element of design has been removed or rendered inoperative by any person.

Among those acts presumed to constitute tampering, do not tamper with the original emission related parts below:

- Fuel injection system, and their internal parts
- Spark Plug
- Electronic ignition system
- Fuel filter element
- Air cleaner element
- Crankcase
- Cylinder heads
- Breather chamber and internal parts
- Intake pipe and tube



# FOREWORD

We wish to thank you for purchasing this Kawasaki engine.

**Please read this Owner's Manual carefully before starting your new engine** so that you will be thoroughly familiar with the proper operation of your engine's control, its features, capabilities and limitations.

Also read the manual of the equipment to which this engine is attached.

To ensure a long, trouble-free life for your engine, give it the proper care and maintenance described in this manual. Always keep this manual at your fingertip so that you can refer to it whenever you need information. This manual should be considered a permanent part of the engine and should remain with the engine when it is sold.

Please note that the photographs and illustrations shown in this manual are based on Model FX730V EFI as a typical example among other similar models.

All rights reserved. No part of this publication may be reproduced without our prior written permission.

This publication includes the latest information available at the time of printing. However, there may be minor differences between the actual product and illustrations and text in this manual.

All products are subject to change without prior notice or obligation.

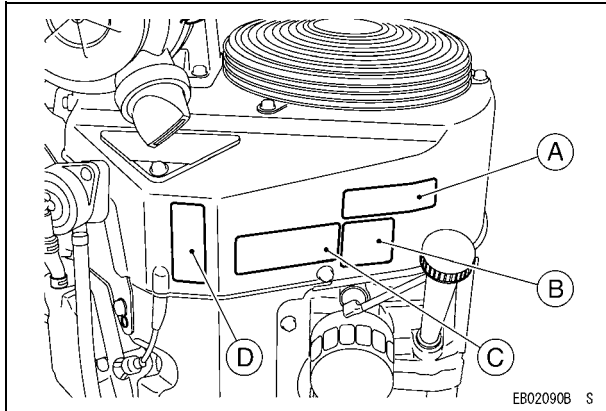
**KAWASAKI HEAVY INDUSTRIES, LTD.**  
**Motorcycle & Engine Company**

# TABLE OF CONTENTS

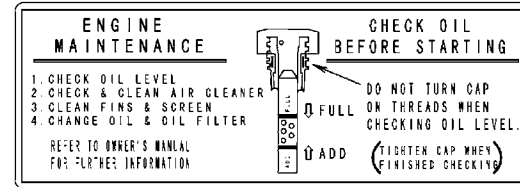
<b>GENERAL INFORMATION</b> .....	9	Oil Filter Change .....	28
Location of Safety Related Labels .....	9	Air Cleaner Service .....	29
Location of Parts .....	10	Air Cleaner .....	29
Engine Serial Number .....	11	Primary Element .....	29
Tune-up Specifications .....	11	Secondary Element .....	29
Engine Oil Capacity .....	12	Cap (Dust Ejector Valve) .....	29
Battery Capacity .....	12	Replace the air cleaner element .....	29
<b>FUEL AND OIL RECOMMENDATIONS</b> .....	13	Fuel Filter and Fuel Pump Service .....	31
Fuel .....	13	Spark Plug Service .....	32
Engine Oil .....	14	Fuse Service .....	33
<b>PREPARATION</b> .....	15	Cooling System Cleaning .....	34
Fuel .....	15	<b>STORAGE</b> .....	37
Engine Oil .....	15	Engine Storage Procedure .....	37
<b>STARTING</b> .....	17	<b>TROUBLESHOOTING GUIDE</b> .....	38
Start Engine .....	17	<b>ENVIRONMENTAL PROTECTION</b> .....	41
<b>OPERATING</b> .....	19	<b>SPECIFICATIONS</b> .....	42
Warming Up .....	19		
Engine Inclination .....	19		
MIL (Malfunction Indicator Light) .....	20		
Reduced Power Mode (Engine speed reduced to low idle) .....	20		
<b>STOPPING</b> .....	21		
Stopping the Engine .....	21		
Ordinary Stop .....	21		
Emergency Stop .....	21		
<b>ADJUSTMENT</b> .....	22		
Engine Speed Adjustment .....	22		
<b>MAINTENANCE</b> .....	23		
Periodic Maintenance Chart .....	24		
Oil Level Check .....	26		
Oil Change .....	26		

# GENERAL INFORMATION

## Location of Safety Related Labels

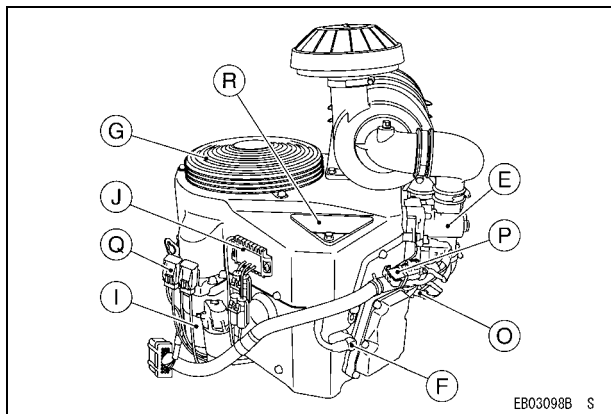
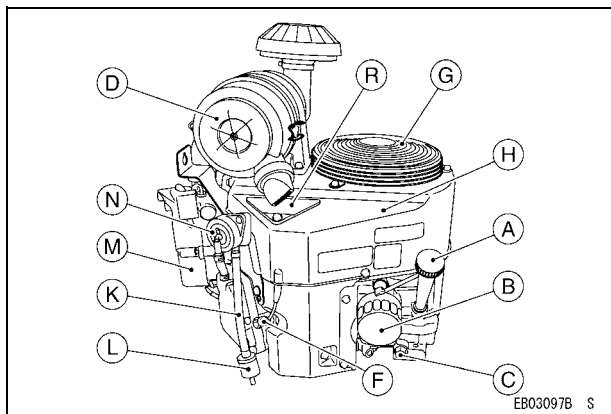


- A. Engine Maintenance**
- B. Warning Label**
- C. Emission Label**
- D. Product Label (Engine Serial Number)**



## 10 GENERAL INFORMATION

### Location of Parts

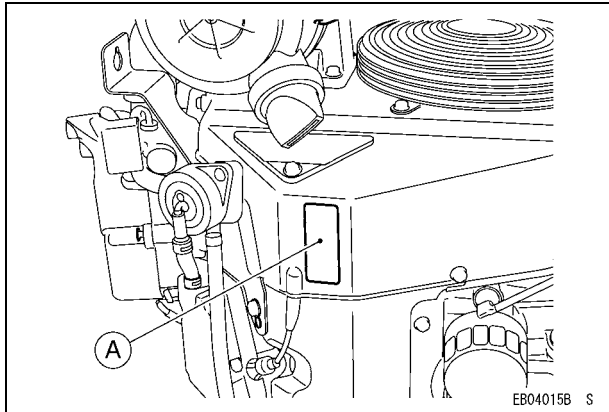


- A. Oil Gauge/Filler
- B. Oil Filter
- C. Oil Drain Plug
- D. Air Cleaner
- E. Throttle Body/ECU
- F. Spark Plug Cap/Spark Plug
- G. Guard/Air Intake Screen
- H. Fan Housing
- I. Electric Starter
- J. Voltage Regulator
- K. Fuel Tube
- L. Fuel Filter
- M. Fuel Pump (Electric)
- N. Fuel Pump (Pulse)
- O. Injector
- P. Diagnostic Connector
- Q. Fuse
- R. Cleanout Cover

## Engine Serial Number

The engine serial number is your only means of identifying your particular engine from others of the same model type.

This engine serial number is needed by an authorized Kawasaki engine dealer or equally qualified service facility when ordering parts.



**A. Engine Serial Number**

## Tune-up Specifications

ITEM	Specifications
Ignition Timing	Unadjustable
Spark Plugs: Gap	NGK BPR4ES 0.75 mm (0.030 in.)
Low Idle Speed	1 550 r/min (rpm)
High Idle Speed	3 600 r/min (rpm)
Valve Clearance	IN 0.10 ~ 0.15 mm (0.004 ~ 0.006 in.) EX 0.10 ~ 0.15 mm (0.004 ~ 0.006 in.)
Other Specifications	No other adjustment needed

### NOTE

○ High and low idle speeds may vary depending on the equipment on which the engine is used. Refer to the equipment specification.

## 12 GENERAL INFORMATION

---

### Engine Oil Capacity

---

#### Engine Oil Capacity

FX730V	1.8 L (1.9 US·qt) [when oil filter is not removed]
	2.1 L (2.2 US·qt) [when oil filter is removed]

---

### Battery Capacity

---

 **WARNING**

**For electrical safety, always remove cable from negative (-) side of battery before attempting any repair or maintenance.**

#### Battery Capacity Recommended

Minimum Recommended Battery Capacity
--------------------------------------

12 V 550 CCA Class
--------------------

# FUEL AND OIL RECOMMENDATIONS

---

## Fuel

---

Use only clean, fresh, unleaded regular grade gasoline.

<b>NOTICE</b>
---------------

<b>Do not mix oil with gasoline.</b>
--------------------------------------

### Octane Rating

The octane rating of a gasoline is a measure of its resistance to “knocking”. **Using a minimum of 87 octane by the antiknock index is recommended.** The antiknock index is posted on service station pumps in the U.S.A.

### NOTE

- If “knocking” or “pinging” occurs, use a different brand of gasoline or higher octane rating.
- When not operating your kawasaki engine more than once per month, you can mix a fuel stabilizer with gasoline in the fuel tank. Fuel stabilizer additive could inhibit oxidation of fuel.

### Oxygenated Fuel

Oxygenates (either ethanol or MTBE) are added to the gasoline. If you use the oxygenates, be sure it is unleaded and meets the minimum octane rating requirement.

The followings are the EPA approved percentages of fuel oxygenates.

ETHANOL: (Ethyl or Grain Alcohol)

You may use gasoline containing up to 10% ethanol by volume.

MTBE: (Methyl Tertiary Butyl Ether)

You may use gasoline containing up to 15% MTBE by volume.

METHANOL: (Methyl or Wood Alcohol)

You may use gasoline containing up to 5% methanol by volume, as long as it also contains cosolvents and corrosion inhibitors to protect the fuel system. Gasoline containing more than 5% methanol by volume may cause starting and/or performance problems. It may also damage metal, rubber, and plastic parts of your fuel system.

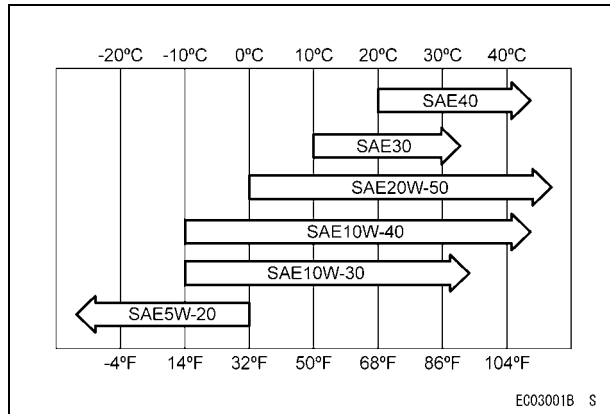
## 14 FUEL AND OIL RECOMMENDATIONS

### Engine Oil

The following engine oils are recommended.  
API Service Classification: SJ or SL.

#### Oil Viscosity

Choose the viscosity according to the temperature as follows:



#### NOTE

- Although 10W-40 engine oil is the recommended oil for most conditions, the oil viscosity may need to be changed to accommodate atmospheric conditions. Using 20W-50 oil in higher ambient temperatures may reduce oil consumption.



# PREPARATION

## Fuel

 **WARNING**

**Gasoline is extremely flammable and can be explosive under certain conditions, creating the potential for serious burns. Turn the ignition switch to “OFF”. Do not smoke. Make sure the area is well-ventilated and free from any source of flame or sparks; this includes any appliance with a pilot light. Never fill the tank completely to the top. If the tank is filled completely to the top, heat may cause the fuel to expand and overflow through the vents in the tank cap. After refueling, make sure the tank cap is closed securely. If gasoline is spilled on the fuel tank, wipe it off immediately.**

- Place the engine on level surface before fueling.
- Remove the fuel tank cap.
- Slowly pour fuel into the tank through the fuel strainer.
- Close the tank cap securely.

## Engine Oil

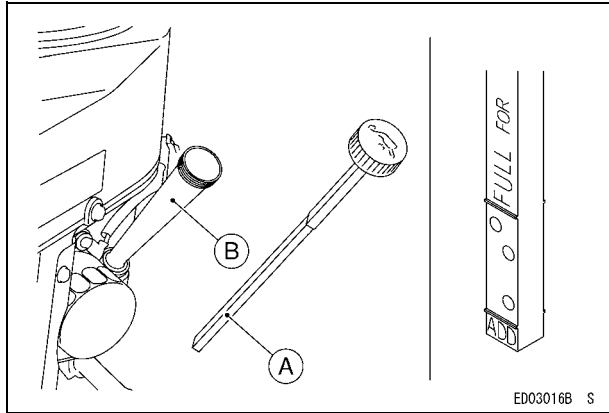
Check the engine oil daily before starting the engine otherwise shortage of the engine oil may cause serious damage to the engine such as seizure.

- Place the engine on level surface. Clean area around the oil gauge before removing it.
- Remove the oil gauge and wipe it with a clean cloth.
- Pour the oil slowly to “FULL” mark on the oil gauge.
- Insert the oil gauge into tube WITHOUT SCREWING IT IN.
- Remove the oil gauge to check the oil level. The level should be between “ADD” and “FULL” marks. Do not overfill.
- Install and tighten the oil gauge.

### Engine Oil Capacity

FX730V	1.8 L (1.9 US·qt) [when oil filter is not removed]
	2.1 L (2.2 US·qt) [when oil filter is removed]

## 16 PREPARATION



- A. Oil Gauge
- B. Tube

### ***NOTICE***

**The engine is shipped without engine oil.**

# STARTING

## Start Engine

### **⚠ DANGER**

Exhaust gas contains carbon monoxide, a colorless, odorless poisonous gas. Inhaling carbon monoxide can cause serious brain injury or death. **DO NOT** run the engine in enclosed areas. Operate only in a well-ventilated area.

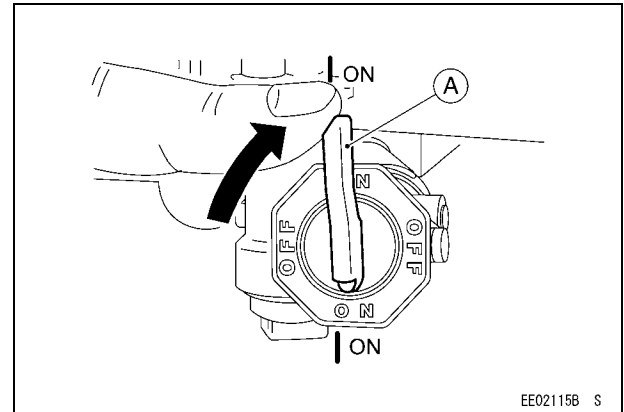
### **⚠ WARNING**

Engine exhaust may ignite combustible materials and cause a fire. Keep the area around the exhaust outlet clear. Locate the unit so that the exhaust outlet points toward an open area and is located at least one meter (3.3 feet) from any obstructions.

### **NOTE**

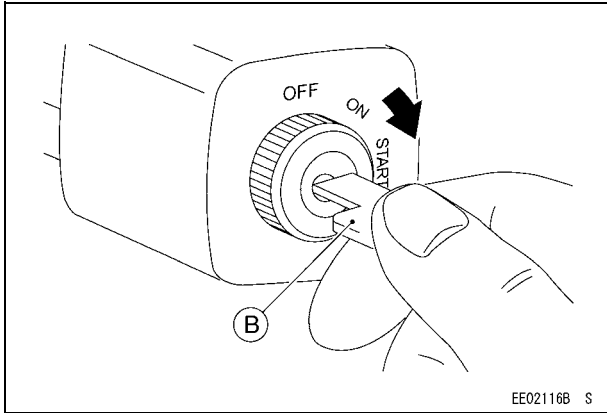
- *Be aware of the following in order to start the engine easily in cold weather.*
- Use proper oil for expected temperature (See FUEL AND OIL RECOMMENDATIONS chapter).
- Use fresh gasoline.

- Protect the engine or the equipment from direct exposure to weather when not in operation.
- Before starting the engine, disconnect all possible external loads.
- Open the fuel valve on the equipment.
- Put the key into the ignition switch and turn to the “ON” or “RUN” position.
- Turn the key to the “START” position on the equipment. Normally the engine will start within 3 seconds.



**A. Fuel Valve**

## 18 STARTING



**B. Ignition Switch Key**

### ***NOTICE***

**Do not run the electric starter continuously for more than 5 seconds, otherwise the battery may discharge quickly. If the engine does not start right away, wait 15 seconds and try again.**

### ***NOTICE***

**Whenever you start engine, make sure oil lamp is not illuminated after engine starts. If oil lamp comes on, stop engine immediately and check oil level (if equipped).**

# OPERATING

---

## Warming Up

---

To warm up the engine, run it for 3 to 5 minutes with the throttle lever in the “SLOW” speed position. Then move the throttle lever on the equipment to its “FAST” speed position before putting the equipment under load.

<b><i>NOTICE</i></b>
----------------------

<p><b>Allow engine to warm up sufficiently (3 to 5 minutes at idle) before applying a load. This will allow oil to reach all engine parts, and allow piston clearance to reach design specifications.</b></p>
---

<b><i>NOTICE</i></b>
----------------------

<p><b>While warming up the engine, make sure the warning light (oil pressure) on dash is not on. The warning light must not be illuminated during engine operation (if equipped).</b></p>
---

---

## Engine Inclination

---

This engine will operate continuously at angles up to 25° in any direction.

Refer to the operating instructions of the equipment this engine powers. Because of equipment design or application, there may be more stringent restrictions regarding the angle of operation.

<b><i>NOTICE</i></b>
----------------------

<p><b>Do not operate this engine continuously at angles exceeding 25° in any direction. Engine damage could result from insufficient lubrication.</b></p>
---

## 20 OPERATING

---

### **MIL (Malfunction Indicator Light)**

---

The equipment has a MIL to indicate malfunction of the EFI system.

When the ECU of the engine detects the EFI system trouble, MIL illuminates.

If the MIL illuminates, consult an authorized Kawasaki engine dealer or equally qualified service facility.

### **Reduced Power Mode (Engine speed reduced to low idle)**

---

When the ECU detects conditions of the engine as stated below, the ECU reduces the engine speed to low idle (Reduced Power Mode).

If the engine enters the reduced power mode, stop the engine as soon as safely possible and refer to the troubleshooting guide at the end of this book

Service an engine that has entered reduced power mode as soon as possible. Operating in reduced power mode for extended periods of time can cause engine failure.

#### **Causes of Reduced Power Mode**

- Overheat of the engine (MIL on)
- Oil pressure is low (if the oil switch is equipped/-MIL off, Oil lamp on)
- Throttle valve control malfunction (internal ECU malfunction/MIL on)
- Throttle position sensor malfunction (internal Throttle body malfunction/MIL on)
- Hand throttle input sensor malfunction (MIL on)

# STOPPING

---

## Stopping the Engine

---

### Ordinary Stop

- Move throttle lever to “SLOW” position.
- Keep running at the “SLOW” speed for about one minute.

<b><i>NOTICE</i></b>
----------------------

<p><b>Engine damage can occur from run-on or after-burning if engine is stopped suddenly from high speed loaded operation. Reduce engine speed to idle for one minute before shutting engine off.</b></p>
---

- Turn the ignition switch to “OFF” position.

### Emergency Stop

- Immediately turn the ignition switch to “OFF” position.
- Close the fuel valve on the equipment.

 <b>WARNING</b>
--

<p><b>Leaving the equipment with the key hanging in the ignition can allow operation by someone who does not know how to operate it. It may cause serious accident with injury. Always remove the key from unattended equipment.</b></p>
--

# ADJUSTMENT

---

## Engine Speed Adjustment

---

### NOTE

- *Do not tamper with the EFI system setting to increase the engine speed. Every EFI system is adjusted at the factory.*
- *If any adjustment is necessary, see an authorized Kawasaki engine dealer or equally qualified service facility to perform the adjustment.*



# MAINTENANCE

**Maintenance, replacement, or repair of the emission control devices and systems may be performed by any nonroad engine repair establishment or individual.**

## 24 MAINTENANCE

### Periodic Maintenance Chart

 **WARNING**

Prevent accidental starting during engine service by removing the spark plug caps.

#### NOTE

○ The service intervals can be used as a guide. Service more frequently as necessary by operating conditions.

MAINTENANCE	INTERVAL						
	Daily	Every 50 hr.	Every 100 hr.	Every 200 hr.	Every 250 hr.	Every 300 hr.	Every 500 hr.
Check and add engine oil.	●						
Check for loose or lost nuts and screws.	●						
Check for fuel and oil leakage.	●						
Check battery electrolyte level.	●						
◆ Check or clean air intake screen.	●						
Check cleanout cover.		●					
◆ Clean dust and dirt from cylinder and cylinder head fins.			●				
Tighten nuts and screws.			●				
Change engine oil.	Every 100 hours or 1 year whichever comes first						
Clean and regap spark plugs.			●				
Change oil filter.				●			
◆ Replace air cleaner primary element.					●		
◆ Check air cleaner secondary element.					●		

MAINTENANCE	INTERVAL						
	Daily	Every 50 hr.	Every 100 hr.	Every 200 hr.	Every 250 hr.	Every 300 hr.	Every 500 hr.
◇ Clean combustion chamber.						●	
◇ Check and adjust valve clearance.						●	
◇ Clean and lap valve seating surface.						●	
◆ Replace air cleaner secondary element.							●

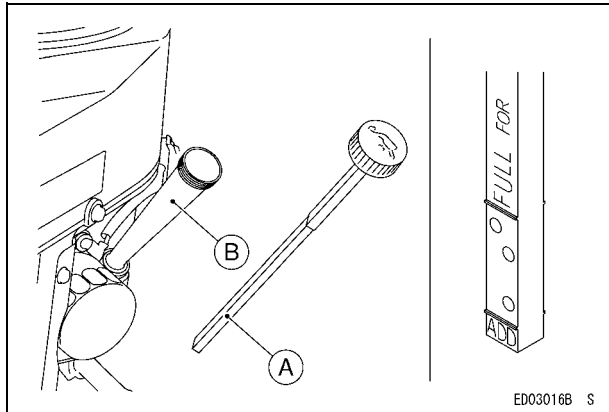
◆ : Service more frequently under dusty or dirty conditions.

◇ : Service to be performed by an authorized Kawasaki engine dealer or equally qualified service facility.

## 26 MAINTENANCE

### Oil Level Check

Check the oil level daily and before each time of operation. Be sure the oil level is maintained. See PREPARATION chapter.



A. Oil Gauge  
B. Tube

### Oil Change

Change oil every 100 hours or 1 year whichever comes first.

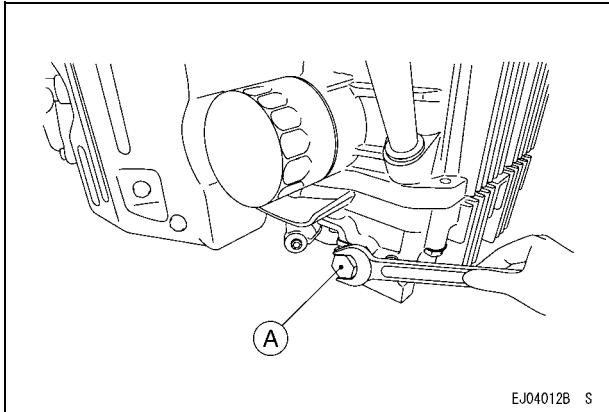
#### NOTE

○ If a torque wrench is not available, this item should be serviced by an authorized Kawasaki engine dealer or equally qualified service facility.

- Run the engine to warm oil.
- Be sure the engine (equipment) is on level surface.
- Stop the engine.
- Remove the oil drain plug (A) and drain the oil into a suitable container while engine is warm.

#### **WARNING**

**Hot engine oil can cause severe burns.  
Allow engine temperature to drop from hot to warm level before draining and handling oil.**



**A. Oil Drain Plug**

- Replace the O-ring of the oil drain plug with a new one.
- Apply grease to the O-ring.
- Tighten the oil drain plug.

**Tightening Torque**

**Oil Drain Plug:**

**6.9 N·m (0.70 kgf·m, 61 in·lb)**

- Remove the oil gauge and refill with fresh oil (See FUEL AND OIL RECOMMENDATIONS chapter).
- Check the oil level (see PREPARATION chapter).

**⚠ WARNING**

**Engine oil is a toxic substance. Dispose of used oil properly. Contact your local authorities for approved disposal methods or possible recycling.**

### Oil Filter Change

- Change the oil filter every 200 hours of operation.

#### **WARNING**

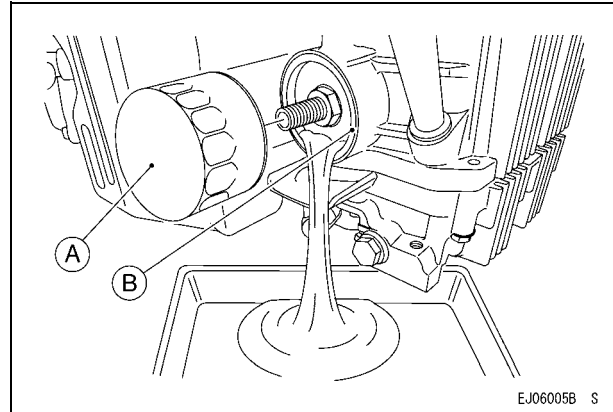
**Hot engine oil can cause severe burns. Allow engine temperature to drop from hot to warm level before attempting to remove oil filter.**

- Drain the engine oil into a suitable container.

#### **NOTICE**

**Before removing the oil filter, place suitable pan under filter connection.**

- Rotate the oil filter counterclockwise to remove it.
- Coat a film of clean engine oil on the seal of new filter.
- Install new filter rotating it clockwise until the seal contacts the mounting surface. Then rotate the filter 3/4 turn more by hand.
- Install the oil drain plug (See Oil Change section).
- Supply engine oil as specified.
- Run the engine for about 3 minutes, stop the engine, and check any oil leakage around the filter.
- Add oil to compensate for oil level drop due to oil filter capacity (see PREPARATION chapter).



**A. Oil Filter**  
**B. Mounting Surface**

#### **WARNING**

**Engine oil is a toxic substance. Dispose of used oil properly. Contact your local authorities for approved disposal methods or possible recycling.**

---

## Air Cleaner Service

---

<b><i>NOTICE</i></b>
----------------------

<b>Do not run the engine with the air cleaner removed.</b>
--

### Air Cleaner

These air cleaner elements are not recommended to be cleaned. Replace each air cleaner element with a new one at the maintenance time as shown in the maintenance chart.

<b><i>NOTICE</i></b>
----------------------

<b>To prevent excessive engine wear, do not run the engine with the air cleaner removed.</b>
--

<b><i>NOTICE</i></b>
----------------------

<b>Do not wash air cleaner elements. Do not oil air cleaner elements. Do not use pressurized air to clean air cleaner elements.</b>
---

### NOTE

- *Operating in dusty or dirty condition may require more frequent maintenance.*

### Primary Element

Replace the primary element every 250 hrs.

### Secondary Element

- Replace the secondary element with a new one, if the secondary element is dirty when the primary element is checked.
- Replace the secondary element with a new one every 500 hrs.

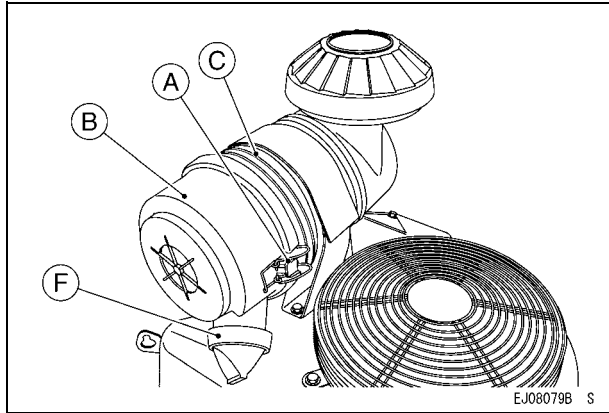
### Cap (Dust Ejector Valve)

Push and open the cap on the case of the air cleaner body to expel dust and/or water accumulated inside.

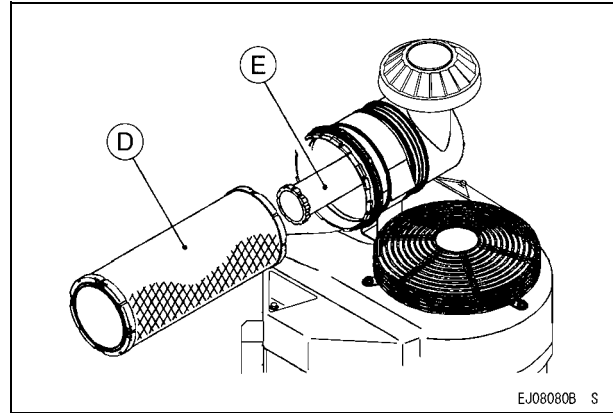
### Replace the air cleaner element

- Unfasten the two retaining clamps and remove the case from the air cleaner body.
- Remove the primary element and the secondary element from the air cleaner body by pulling them out.
- Install the new air cleaner elements into the air cleaner body.
- Reinstall the case and the cap then securely fasten the two retaining clamps.

## 30 MAINTENANCE



- A. Retaining Clamps**
- B. Case**
- C. Air Cleaner Body**
- F. Cap (Dust Ejector Valve)**



- D. Primary Element**
- E. Secondary Element**

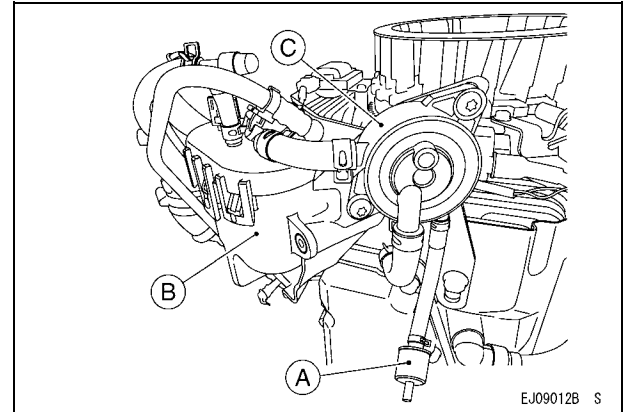


## Fuel Filter and Fuel Pump Service

### WARNING

Many solvents are highly flammable and may cause serious burns. Improper use of solvents can result in fire or an explosion. Do not use gasoline or low flash-point solvents to clean the fuel filter and/or the fuel pumps. Clean only in a well-ventilated area away from sources of sparks or flame, including any appliances with a pilot light.

- The fuel filter can not be disassembled. If the fuel filter gets clogged, replace it with a new one.
- The fuel pumps can not be disassembled. If the fuel pump fails, replace it with a new one.



- A. Fuel Filter**
- B. Fuel Pump (Electric)**
- C. Fuel Pump (Pulse)**

## 32 MAINTENANCE

### Spark Plug Service

#### **WARNING**

**Engines can become extremely hot during normal operation. Hot engine components can cause severe burns. Stop the engine and allow it to cool before checking spark plugs.**

Clean or replace the spark plugs and reset the gap every 100 hours of operation.

#### **NOTE**

*○ If a torque wrench is not available, this item should be serviced by an authorized Kawasaki engine dealer or equally qualified service facility.*

- Disconnect the spark plug caps from the spark plugs and remove the spark plugs.
- Clean the electrodes by scraping or using a non-metal brush (nylon etc.) to remove carbon deposits.
- Inspect for cracked porcelain, other wear or damage. Replace the spark plug with a new one if necessary.
- Check the spark plug gap and reset it if necessary. To change the gap, bend only the side electrode, using a spark plug tool.

#### Spark Plug Gap

<b>NGK BPR4ES</b>	<b>0.75 mm (0.030 in.)</b>
-------------------	----------------------------

- Tighten the spark plugs.

#### Tightening Torque

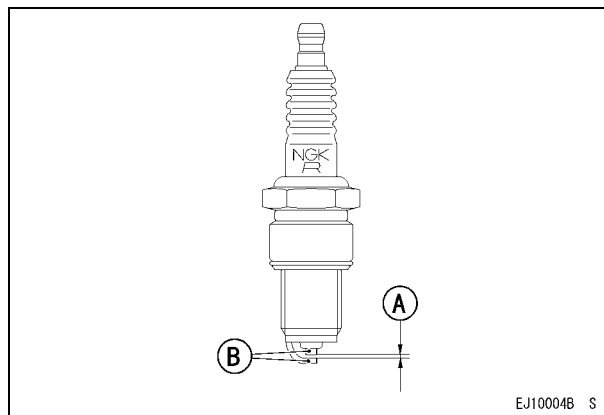
##### Spark Plugs:

**22 N·m (2.2 kgf·m, 16 ft·lb)**

- Fit the spark plug caps on the spark plugs securely.
- Pull up the spark plug caps lightly to make sure of the installation of the spark plug caps.

#### RECOMMENDED SPARK PLUG

NGK .....BPR4ES



**A. Spark Plug Gap**  
**B. Electrodes**

EJ10004B S

---

## **Fuse Service**

---

A blade type fuse is in the fuse case located on the side of the engine.

If a fuse blows during operation, inspect the cause, and then replace it with a new fuse of proper amperage.

## 34 MAINTENANCE

### Cooling System Cleaning

Before each operation, check that the air intake (rotary) screen is free from grass and debris. Clean the screen if necessary.

Every 50 hours of operation, check dust or debris inside fan housing. To check inside, remove the cleanout cover and see inside from the inspection ports of fan housing. Clean or blow the dust if needed. If it is difficult to clean the dust with the ports, remove the fan housing and clean the dirt completely.

Every 100 hours of operation, check and clean the cooling fins and the inside of engine shrouds to remove grass, chaff or dirt clogging the cooling system and causing overheating.

Cleaning procedures are as below.

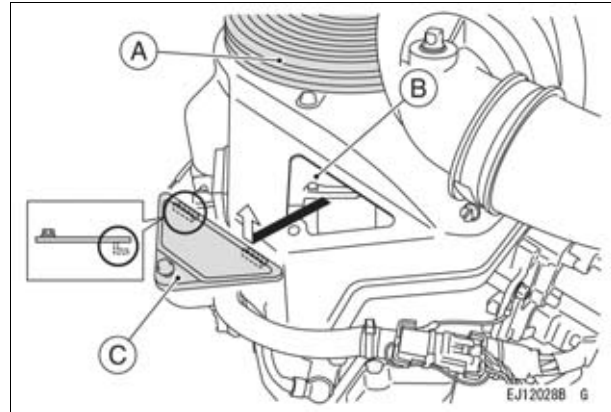
- Loosen the clamp and detach the air intake tube.
- Loosen four bolts and remove the air cleaner.
- Loosen the screws and remove the voltage regulator.
- Loosen the screws and remove the air intake guard.
- Remove torx bolts and remove the air intake screen.
- Loosen three bolts and remove three bolts at the fan housing.
- Remove the fan housing.
- Clean and blow out the dust or debris from the cooling fan and the engine body.

### NOTE

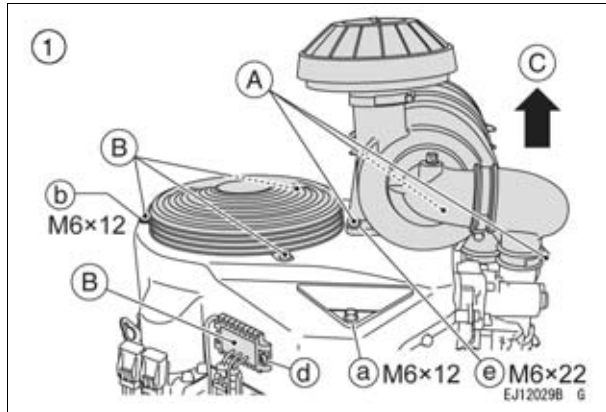
- Cover the intake port of the throttle body to keep dust out of the opening.

### NOTICE

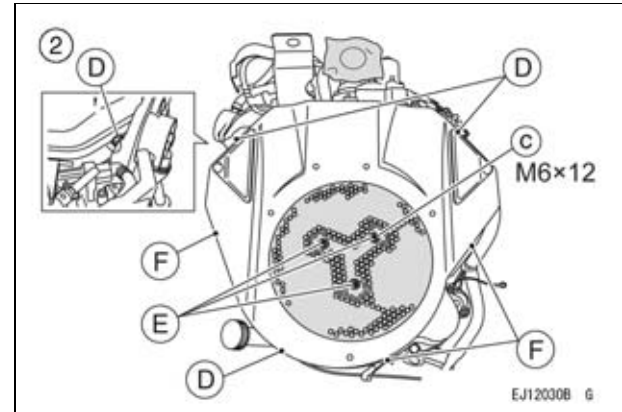
**Do not run engine before all cooling system parts are reinstalled to keep cooling as intended.**



- A. Check the intake screen.**
- B. Check and see dust from the inspection port.**
- C. Loosen bolt and remove cleanout cover.**



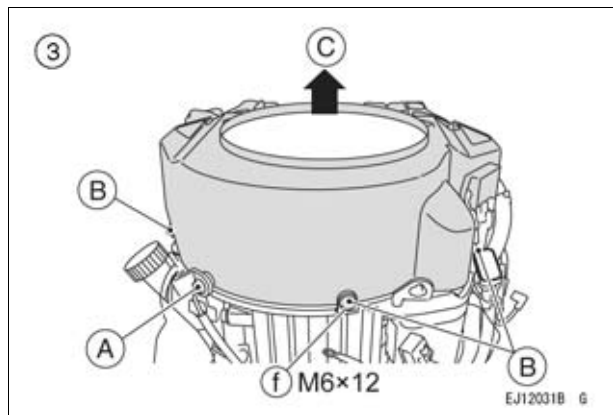
- A. Remove bolts and loosen clamp.
- B. Remove
- C. Remove air cleaner.



- D. Loosen bolts.
- E. Remove torx bolts and screen.
- F. Remove bolts.

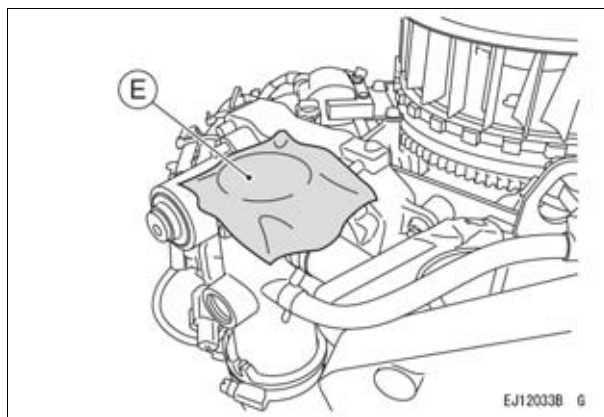
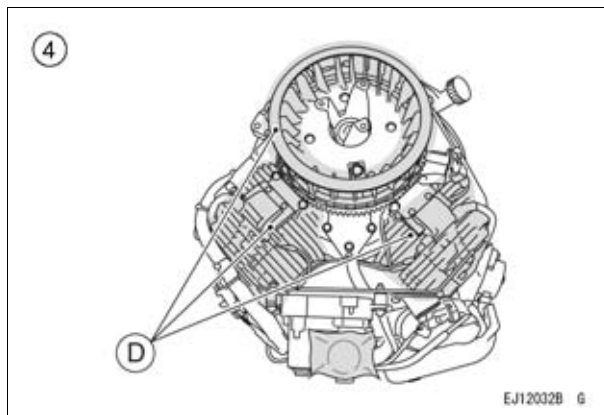
Bolt	Tightening Torque			
	N·m	kgf·m	in·lb	
a Cleanout cover bolt	6.85	0.699	61	5.9+1.9-0
b Guard bolt				
c Air intake screen bolt				
d Regulator bolt	—	—	—	—
e Air cleaner bolt	9.75	0.994	86	8.8+1.9-0

## 36 MAINTENANCE



- A. Loosen bolt.
- B. Remove bolts.
- C. Remove fan housing.

Bolt		Tightening Torque			
		N·m	kgf·m	in·lb	
f	Fan housing bolt	6.85	0.699	61	5.9+1.9-0



- D. Clean and blow dust or debris.
- E. Cover the intake port.

# STORAGE

## Engine Storage Procedure

When not operating your Kawasaki engine more than 30 days, add fuel stabilizer to fuel tank and run engine for 5 minutes then drain the fuel tank.

After draining the fuel tank, run the engine at low idle until engine stalls.

### WARNING

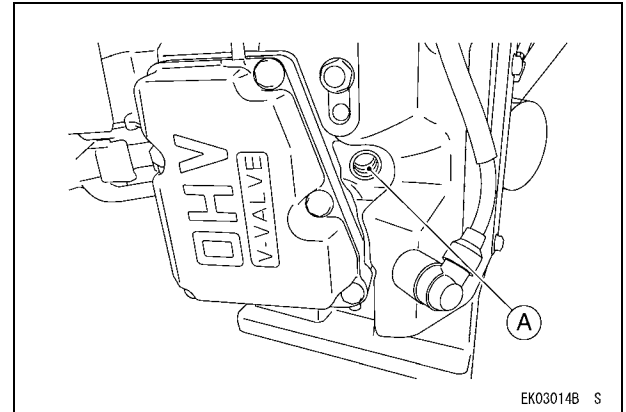
**Gasoline is extremely flammable and can be explosive under certain conditions. Drain fuel before storing the equipment for extended periods. Drain gasoline in a well-ventilated area away from any source of flame or sparks, including any appliances with a pilot light. Store gasoline in an approved container in safe location.**

### WARNING

**Gasoline is a toxic substance. Dispose of gasoline properly. Contact your local authorities for approved disposal methods.**

- Remove the spark plugs and pour approx 1 ~ 2 mL (1/2 teaspoon) of engine oil through the spark plug holes then screw the spark plugs in after cranking the engine a few times. Slowly crank the

engine until you feel the compression then leave it there. This traps the air inside the cylinders and prevents rust inside the engine.



#### A. Spark Plug Hole

- Wipe the body with oily cloth.
- Wrap the engine with plastic sheeting and store it in a dry place.
- Change engine oil for next use after period of storage (See Oil Change section in the MAINTENANCE chapter).

# TROUBLESHOOTING GUIDE

If the engine malfunctions, carefully examine the symptoms and the operating conditions, and use the table below as a guide to troubleshooting.

Symptom		Probable Cause	Remedy
Engine won't start or output is low	Insufficient compression	Loose spark plugs	Tighten properly
		Faulty pistons, cylinders, piston rings, or head gaskets	◇
		Faulty valves	
		Loose cylinder head bolts	
	No fuel to combustion chamber	No fuel in fuel tank	Fill fuel tank
		Fuel valve is not in "ON" position.	Open fuel valve lever.
		Clogged fuel filter or tube	Change fuel filter or fuel tube
		Clogged air vent in tank cap	Clean fuel tank cap
		Faulty fuel system	◇
	Spark plugs fouled by fuel	Clogged air cleaner	Replace
		Incorrect grade/type of fuel	Change fuel
		Water in fuel	
		Over-rich fuel/air mixture	◇
		Faulty fuel system	



Symptom		Probable Cause	Remedy
Engine won't start or output is low	No spark or weak spark	Faulty spark plugs	Replace spark plugs
		Engine switch is in "OFF" position	Turn engine switch to "START" position (See <b>M</b> )
		Faulty ignition coils	◇
Low output	Engine overheats	Clogged air cleaner	Replace
		Air intake screen or cooling air path clogged with dirt	Clean
		Insufficient engine oil	Replenish or change oil
		Carbon build-up in combustion chamber	◇
	Engine speed won't increase	Faulty E-governor.	◇

◇: Service to be performed by an authorized Kawasaki engine dealer or equally qualified service facility.

**M**: For Control Panel Switch Type, move the throttle lever on the equipment away from its slow speed end to turn the engine switch to "START" position.

## 40 TROUBLESHOOTING GUIDE

### Reduced Power mode

Symptom		Probable Cause	Remedy
Engine speed reduced to low idle.	Overheat of the engine (MIL on)	Debris or dust is inside shroud	Clean (refer to Cooling System Cleaning section in the MAINTENANCE chapter)
		Temperature sensor or circuit malfunction	◇
	Low oil pressure (If oil switch is equipped) (MIL off/Oil lamp on)	Low oil level	Add oil (refer to Oil Level Check section in the MAINTENANCE chapter)
		Oil switch or circuit malfunction	◇
		Lubrication system malfunction	◇
	Hand throttle input sensor malfunction (MIL on)	Wiring issue or sensor malfunction	◇
	Internal ECU/throttle body malfunction (MIL on)	Throttle valve control malfunction	◇
		Throttle position sensor malfunction	◇

◇: Service to be performed by an authorized Kawasaki engine dealer or equally qualified service facility.

# ENVIRONMENTAL PROTECTION

To help preserve the environment, properly discard used batteries, oils and fluids, or other engine components.

Consult an authorized Kawasaki engine dealer or equally qualified service facility or local environmental waste agency for their proper disposal procedure. This also applies to disposal of the entire engine at the end of its life.

# SPECIFICATIONS

	FX730V EFI
Type	Air-cooled, 4-stroke OHV 4 Valves, V-twin cylinder, gasoline engine
Bore × Stroke	78 × 76 mm (3.1 × 3.0 in.)
Displacement	726 mL (44.3 cu.in.)
Ignition system	Electronic ignition
Direction of rotation	Counterclockwise facing the PTO Shaft
Starting system	Electric starter

## NOTE

○ *Specifications are subject to change without notice.*

**ESPAÑOL**

# **Motor de propósito general Manual del propietario**

Instrucciones originales



# PRECAUCIONES DE SEGURIDAD

Siempre que vea los símbolos que se muestran a continuación, preste atención a las instrucciones. Siga siempre prácticas seguras de funcionamiento y mantenimiento.

## PELIGRO

**PELIGRO** indica una situación peligrosa que, de no evitarse, provocará daños personales graves o un accidente mortal.

## ADVERTENCIA

**ADVERTENCIA** indica una situación peligrosa que, de no evitarse, puede provocar daños personales graves o un accidente mortal.

## **AVISO**

Los **AVISOS** se utilizan para aquellas prácticas en las que no hay riesgo de daños personales.

## **NOTA**

○ *NOTA* indica que contiene información de ayuda o guía para la operación o el mantenimiento de la motocicleta.

# LÉAME PRIMERO

Por su seguridad, asegúrese de leer y comprender este manual del propietario antes de utilizar este MOTOR.

## PELIGRO

Los gases del tubo de escape contienen monóxido de carbono, un gas tóxico, incoloro e inodoro. La inhalación de monóxido de carbono puede provocar lesiones cerebrales graves o la muerte. **NO** ponga en marcha el motor en espacios cerrados. Póngalo en marcha únicamente en lugares bien ventilados. La gasolina es muy inflamable y puede explotar en determinadas condiciones, con el consiguiente riesgo de quemaduras graves. Al realizar el repostaje, revisión del sistema de combustible, vaciado de gasolina y/o ajuste del carburador: Antes de repostar, pare el motor y deje que se enfríe. **NO** fume. Asegúrese de que el área esté bien ventilada y que no haya ninguna fuente de llamas o chispas, incluidos aparatos con llama piloto. **NO** llene el depósito de forma que el nivel del combustible llegue al cuello de relleno de combustible ni a la superficie del indicador de nivel. Si llene demasiado el depósito, el calor podría hacer que el combustible se expandiese y rebosase a través de los orificios de ventilación de la tapa del depósito. Limpie inmediatamente la gasolina derramada. Los motores se calientan extremadamente durante la operación normal. Para evitar el riesgo de incendio: Separe el motor al menos 1 m de cualquier edificio, obstrucción u otro tipo de objeto inflamable. **NO** coloque objetos inflamables cerca del motor. **NO** deje expuesto el tubo de escape del motor a materiales combustibles. **NO** utilice el motor en ningún terreno no construido en el que haya árboles, maleza o pastos, a menos que haya instalado un apagachispas en el silenciador. Para evitar el riesgo de descarga eléctrica, **NO** toque las bujías de encendido, sus capuchones o cables cuando el motor esté funcionando. Para evitar quemaduras graves, **NO** toque el motor o el silenciador cuando estén calientes. El motor se calienta con el uso. Antes de reparar o extraer piezas, pare el motor y deje que se enfríe. **NO** ponga las manos ni los pies cerca de las piezas que se mueven o giran. Coloque una cubierta de protección sobre la polea, la correa trapezoidal o el acoplamiento. **NO** utilice el motor a velocidades excesivas, ya que se podrían causar heridas graves. Retire siempre los capuchones de las bujías de encendido al realizar el mantenimiento del motor para evitar que éste se encienda por accidente.



Asegúrese de leer y comprender las etiquetas de advertencia situadas en el motor. Si falta alguna etiqueta, está rota o desgastada, obtenga una de recambio en un distribuidor autorizado de motores Kawasaki y colóquela en el lugar correcto.

# INFORMACIÓN SOBRE CONTROL DE EMISIONES

## Información sobre el combustible

ESTE MOTOR ESTÁ CERTIFICADO PARA FUNCIONAR ÚNICAMENTE CON GASOLINA NORMAL SIN PLOMO. Se recomienda el uso de un mínimo de 87 octanos del índice antidetonante. El índice antidetonante se anuncia en los surtidores de las estaciones de servicio de Estados Unidos.

## Información sobre control de emisiones

Para proteger el medio ambiente en el que vivimos, Kawasaki ha incorporado un sistema de control de emisiones de escape que cumple con las normativas vigentes de la Agencia de Protección Ambiental de los Estados Unidos (EPA) y la Junta de Recursos del Aire de California (CARB). Asimismo, dependiendo de la fecha de fabricación del motor, puede tener asignado un periodo de durabilidad de las emisiones.

\*Consulte a continuación el periodo de durabilidad de las emisiones del motor que puede aplicarse a su motor.

## Sistema de control de emisiones de escape

El sistema de control de emisiones de escape aplicado a este motor consta de un sistema de Inyección Electrónica de Combustible (EFI) y de un sistema de encendido que disponen de características óptimas de reglaje del encendido. La calibración del sistema EFI permite proporcionar características específicas de mezcla de aire/combustible y un ahorro óptimo de combustible con un filtro de aire y sistema de escape adecuados.

Con el propósito de eliminar los gases de combustión, también se incorpora un sistema de control de emisiones del cárter sellado. Los gases de combustión se dirigen hacia una cámara con respiradero a través del cárter y, desde allí, al filtro de aire.

## Periodo de conformidad de las emisiones del motor

### California

#### Motores mayores o iguales que 225 cc

Periodo de durabilidad: 1.000 horas

### Resto de estados

#### Motores mayores o iguales que 225 cc

Periodo de durabilidad: 1.000 horas (Categoría A)

★Si su motor tiene asignado un periodo de durabilidad de las emisiones, figurará en la etiqueta de certificación fijada en el motor (INFORMACIÓN IMPORTANTE DEL MOTOR).

## **Información de ajuste del rendimiento a gran altitud**

Los modelos de motor con inyección de combustible no requieren ajuste del rendimiento a gran altitud.

## **Mantenimiento y garantía**

Resulta necesario realizar un mantenimiento adecuado para asegurar que el motor mantenga niveles bajos de emisiones. Este Manual del propietario incluye las recomendaciones de mantenimiento para su motor. Los elementos identificados por el Gráfico de mantenimiento periódico resultan necesarios para garantizar el cumplimiento de las normas aplicables.

El propietario del motor es responsable de garantizar la realización del mantenimiento recomendado de conformidad con las instrucciones indicadas en este Manual del propietario, y asumirá el coste correspondiente.

La Garantía limitada del sistema de control de emisiones de Kawasaki requiere la devolución del motor a un distribuidor autorizado de motores Kawasaki para realizar las medidas de subsanación necesarias bajo la garantía. Lea la garantía atentamente y mantenga su validez mediante el cumplimiento de las obligaciones estipuladas del propietario.

## **Alteración prohibida con el sistema de control de emisiones**

La legislación federal prohíben los siguientes actos o la inducción a realizarlos: (1) la retirada o desactivación por parte de cualquier persona, excepto que se realice por motivos de mantenimiento, reparación o sustitución, de cualquier dispositivo o elemento de diseño incorporado en cualquier motor nuevo para fines de control de emisiones antes de su venta o entrega al comprador final o mientras se encuentre en uso, o (2) el uso del motor después de que cualquier persona haya retirado o desactivado dicho dispositivo o elemento de diseño.

La manipulación de las siguientes piezas originales relacionadas con la emisión se encuentra entre los actos considerados como manipulación indebida.

- Sistema de inyección de combustible y sus piezas internas
- Bujía de encendido
- Sistema de encendido electrónico
- Elemento del filtro de combustible
- Elemento del filtro de aire
- Cáster
- Cabezas de cilindros
- Cámara con respiradero y piezas internas
- Conducto y tubo de admisión

# PRÓLOGO

Gracias por la compra de este motor Kawasaki.

**Lea atentamente este manual antes de estrenar su nuevo motor** a fin de familiarizarse bien con el funcionamiento correcto y el control del motor, sus características, capacidades y limitaciones.

Asimismo, lea el manual del equipo acoplado a este motor.

Para que el motor funcione durante mucho tiempo y sin averías, cuídelo y manténgalo adecuadamente según se describe en este manual. Tenga siempre este manual a mano para consultarlo cuando sea necesario. Este manual debe considerarse una parte permanente del motor y deberá entregarlo con el motor cuando lo venda.

Tenga en cuenta que las fotografías e ilustraciones de este manual se basan en el modelo FX730V EFI como ejemplo habitual entre otros modelos similares.

Todos los derechos reservados. Queda prohibida la reproducción total o parcial de esta publicación sin nuestra autorización previa por escrito.

Esta publicación incluye la información más reciente disponible en el momento de imprimirla. No obstante, pueden existir pequeñas diferencias entre el producto real y las ilustraciones y texto contenidos en el manual.

Todos los productos pueden ser modificados sin previo aviso u obligación.

**KAWASAKI HEAVY INDUSTRIES, LTD.**  
**Motorcycle & Engine Company**

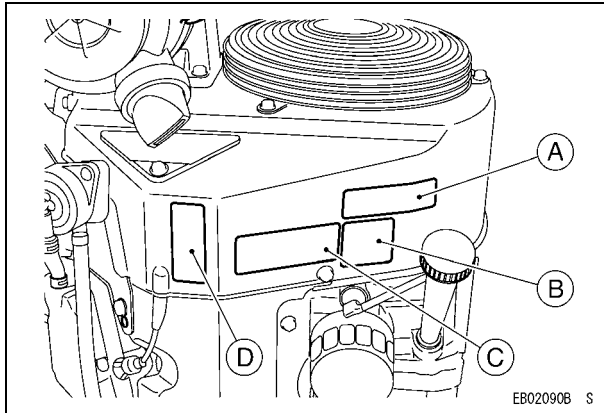


# ÍNDICE

<b>INFORMACIÓN GENERAL</b> .....	11	Comprobación del nivel de aceite .....	29
Ubicación de las etiquetas relacionadas con la seguridad .....	11	Cambio de aceite .....	29
Ubicación de las piezas .....	12	Cambio del filtro de aceite .....	31
Número de serie del motor .....	13	Mantenimiento del filtro de aire .....	32
Especificaciones de puesta a punto .....	14	Filtro de aire .....	32
Capacidad de aceite del motor .....	14	Elemento primario .....	32
Capacidad de la batería .....	15	Elemento secundario .....	32
<b>RECOMENDACIONES DE COMBUSTIBLE Y ACEITE</b> .....	16	Tapa (válvula del eyector de polvo) .....	32
<b>ACEITE</b> .....	16	Reemplace el elemento del filtro de aire .....	32
Combustible .....	16	Mantenimiento del filtro y la bomba de combustible .....	34
Aceite del motor .....	17	Mantenimiento de la bujía de encendido .....	35
<b>PREPARACIÓN</b> .....	18	Mantenimiento de los fusibles .....	36
Combustible .....	18	Limpieza del sistema de refrigeración .....	36
Aceite del motor .....	18	<b>ALMACENAMIENTO</b> .....	40
<b>PUESTA EN MARCHA</b> .....	20	Procedimiento de almacenamiento del motor ..	40
Puesta en marcha del motor .....	20	<b>SOLUCIÓN DE AVERÍAS</b> .....	42
<b>FUNCIONAMIENTO</b> .....	22	<b>PROTECCIÓN MEDIOAMBIENTAL</b> .....	46
Calentamiento .....	22	<b>ESPECIFICACIONES</b> .....	47
Inclinación del motor .....	22		
MIL (Luz indicadora de mal funcionamiento) ...	23		
Modo de potencia reducida (velocidad del motor reducida al ralentí bajo) .....	23		
<b>PARADA</b> .....	24		
Parada del motor .....	24		
Parada normal .....	24		
Parada de emergencia .....	24		
<b>AJUSTE</b> .....	25		
Ajuste de la velocidad del motor .....	25		
<b>MANTENIMIENTO</b> .....	26		
Tabla de mantenimiento periódico .....	27		

# INFORMACIÓN GENERAL

## Ubicación de las etiquetas relacionadas con la seguridad



EB02090B S

- A. Mantenimiento del motor**
- B. Etiqueta de advertencia**
- C. Etiqueta de emisiones**
- D. Etiqueta del producto (Número de serie del motor)**

Inglés



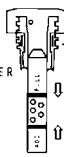
Traducción  
al español



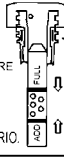
EB02091B S

## 12 INFORMACIÓN GENERAL

Inglés

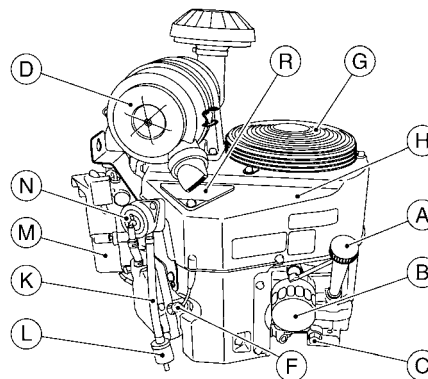
ENGINE MAINTENANCE	CHECK OIL BEFORE STARTING
<ol style="list-style-type: none"> <li>CHECK OIL LEVEL</li> <li>CHECK &amp; CLEAN AIR CLEANER</li> <li>CLEAN FINS &amp; SCREEN</li> <li>CHANGE OIL &amp; OIL FILTER</li> </ol> <p>REFER TO OWNER'S MANUAL FOR FURTHER INFORMATION</p>	 <p>DO NOT TURN CAP ON THREADS WHEN CHECKING OIL LEVEL.</p> <p>(TIGHTEN CAP WHEN FINISHED CHECKING)</p>

↓ Traducción al español

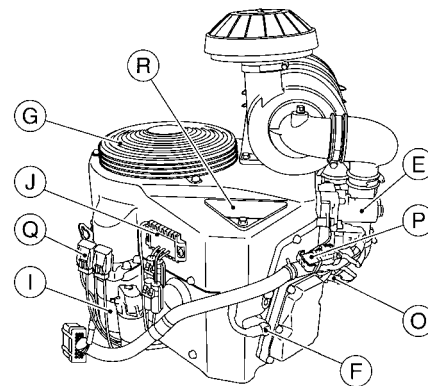
MANTENIMIENTO DEL MOTOR	COMPROBAR EL ACEITE ANTES DEL ARRANQUE
<ol style="list-style-type: none"> <li>REVISAR EL NIVEL DE ACEITE</li> <li>REVISAR Y LIMPIAR EL FILTRO DE AIRE</li> <li>LIMPIAR LAS ALETAS Y LA REJILLA</li> <li>CAMBIAR EL ACEITE</li> </ol> <p>PARA OBTENER MÁS INFORMACIÓN, CONSULTAR EL MANUAL DEL PROPIETARIO.</p>	 <p>NO GIRAR EL TAPÓN EN LAS ROSCAS AL COMPROBAR EL NIVEL DE ACEITE.</p> <p>(APRETAR EL TAPÓN DESPUÉS DE LA COMPROBACIÓN.)</p>

EB02092B S

## Ubicación de las piezas



EB03097B S



EB03098B S



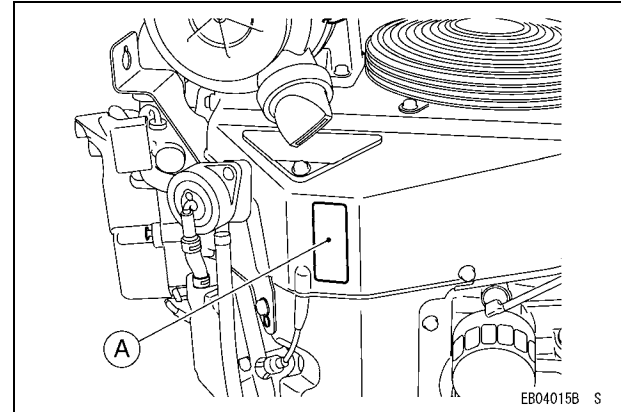
- A. Indicador de nivel de aceite/tapón de llenado de aceite
- B. Filtro de aceite
- C. Tapón de drenaje de aceite
- D. Filtro de aire
- E. Cuerpo del acelerador/ECU
- F. Tapa de la bujía/bujía
- G. Protector/rejilla de entrada de aire
- H. Carcasa del ventilador
- I. Motor de arranque eléctrico
- J. Regulador de voltaje
- K. Tubo de combustible

- L. Filtro de combustible
- M. Bomba de combustible (eléctrico)
- N. Bomba de combustible (pulso)
- O. Inyector
- P. Conector de diagnóstico
- Q. Fusible
- R. Cubierta para limpieza

## Número de serie del motor

El número de serie del motor es el único medio para identificar específicamente su motor con respecto de otros del mismo tipo de modelo.

Necesitará el número de serie del motor cuando realice un pedido de piezas al distribuidor autorizado de motores Kawasaki o a una instalación de mantenimiento con similar cualificación.



A. Número de serie del motor

## 14 INFORMACIÓN GENERAL

### Especificaciones de puesta a punto

ELEMENTO	Especificaciones
Reglaje del encendido	No permite ajuste
Bujías de encendido: Separación entre los electrodos	NGK BPR4ES 0,75 mm
Ralentí mínimo	1.550 r/min
Ralentí máximo	3.600 r/min
Holgura de las válvulas	Interior 0,10 a 0,15 mm Exterior 0,10 a 0,15 mm
Otras especificaciones	No se necesitan otros ajustes

### NOTA

- El ralentí máximo y mínimo pueden variar en función del equipo en el que se utilice el motor. Consulte la especificación del equipo.

### Capacidad de aceite del motor

#### Capacidad de aceite del motor

FX730V	1,8 L [cuando no se ha retirado el filtro de aceite]
	2,1 L [cuando se ha retirado el filtro de aceite]

---

## Capacidad de la batería

---

 <b>ADVERTENCIA</b>
--

<p><b>Para fines de seguridad eléctrica, extraiga siempre el cable del lado negativo (-) de la batería antes de intentar cualquier reparación o mantenimiento.</b></p>
--

### Capacidad recomendada para la batería

Capacidad mínima recomendada para la batería
--

Clase 12 V 550 CCA
--------------------

## RECOMENDACIONES DE COMBUSTIBLE Y ACEITE

---

### Combustible

---

Utilice sólo gasolina de tipo normal sin plomo, limpia y sin reciclar.

<b>AVISO</b>
--------------

<b>No mezcle aceite con gasolina.</b>
---------------------------------------

### Octanaje

El octanaje de una gasolina es una medida de sus resistencia ante la "detonación". **El índice anti-detonante recomienda el uso de un mínimo de 87 octanos.** El índice antidetonante se anuncia en los surtidores de las estaciones de servicio de Estados Unidos.

### NOTA

- *Si se producen "detonaciones" o "golpeteo", utilice otra marca de gasolina o un octanaje superior.*
- *Cuando el motor Kawasaki no se utilice más de una vez al mes, podrá mezclar un estabilizador de combustible en la gasolina del depósito de combustible. Los aditivos del estabilizador de combustible pueden evitar la oxidación de combustible.*

### Compuestos oxigenados

A la gasolina se le añaden compuestos oxigenados (etanol o MTBE). Si utiliza combustible oxigenado, asegúrese de que no contenga plomo y de que cumpla los requisitos mínimos de octanaje.

A continuación se detallan los porcentajes aprobados por EPA de compuestos oxigenados en el combustible.

ETANOL: (Alcohol etílico o de grano)

Puede utilizar gasolina que contenga un volumen de hasta un 10% de etanol.

MTBE: (Metilterbutil éter)

Puede utilizar gasolina que contenga un volumen de hasta un 15% de MTBE.

METANOL: (Alcohol de metilo o de madera)

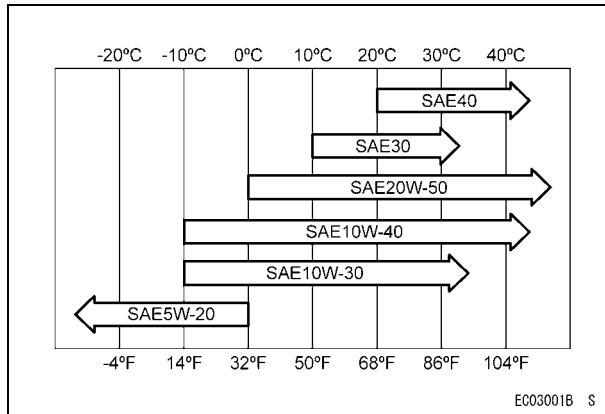
Puede utilizar gasolina que contenga un volumen de hasta un 5% de metanol, siempre que también contenga codisolventes e inhibidores de corrosión para proteger el sistema de combustible. La gasolina que contenga más de un 5% de volumen de metanol puede producir problemas de arranque o rendimiento. También puede dañar las piezas de metal, goma y plástico del sistema de combustible.

## Aceite del motor

Se recomiendan los siguientes aceites de motor.  
Clasificación del servicio API: SJ o SL

### Viscosidad del aceite

Seleccione la viscosidad en función de la temperatura, según se explica a continuación:



### NOTA

- A pesar de que se recomienda utilizar el aceite del motor 10W-40 para la mayoría de las condiciones, puede que resulte necesario cambiar la viscosidad del aceite según las condiciones atmosféricas. El uso de aceite 20W-50 a temperaturas ambiente más altas puede reducir el consumo de aceite.

# PREPARACIÓN

## Combustible

 **ADVERTENCIA**

La gasolina es extremadamente inflamable y puede ocasionar explosiones en determinadas condiciones, con el consiguiente riesgo de causar quemaduras graves. Ponga el interruptor de contacto en “OFF”. No fume. Asegúrese de que el área esté bien ventilada y de que no exista riesgo alguno de que se produzcan llamas o chispas; esto incluye cualquier dispositivo con llama piloto. No llene nunca el depósito hasta arriba. Si llena completamente el depósito hasta arriba, el calor puede provocar la expansión del combustible, el cual se desbordará por los respiraderos del tapón del depósito. Tras repostar, verifique que el tapón del depósito quede bien cerrado. Si se derrama gasolina fuera del depósito, límpiela inmediatamente.

- Antes del repostaje, coloque el motor en una superficie nivelada.
- Retire el tapón del depósito de combustible.
- Vierta el combustible lentamente en el depósito, a través del colador de combustible.
- Cierre firmemente la tapa del depósito.

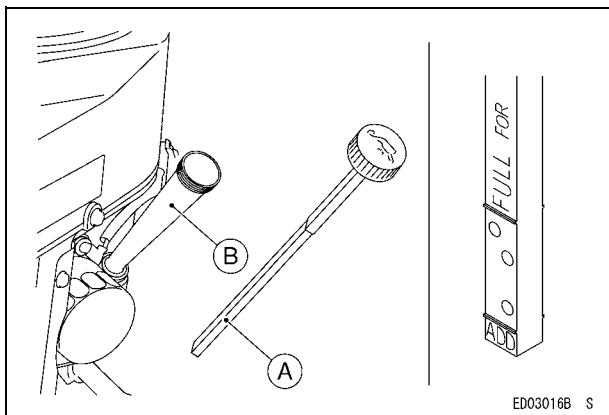
## Aceite del motor

Revise el aceite del motor diariamente antes de poner en marcha el motor, de lo contrario, la escasez de aceite del motor podría causar daños graves al motor, como por ejemplo, el agarrotamiento.

- Coloque el motor sobre una superficie nivelada. Limpie el área alrededor del indicador de aceite antes de extraerlo.
- Extraiga el indicador de aceite y límpielo con un paño limpio.
- Añada el aceite lentamente hasta la marca “FULL” (Lleno) del indicador de nivel de aceite.
- Inserte el indicador de aceite en el tubo, SIN ENROSCARLO.
- Extraiga el indicador de aceite y compruebe el nivel de aceite. El nivel debe encontrarse entre las marcas “ADD” (Añadir) y “FULL” (Lleno). No llene en exceso.
- Coloque el indicador de aceite y apríetelo.

### Capacidad de aceite del motor

FX730V	1,8 L [cuando no se ha retirado el filtro de aceite]
	2,1 L [cuando se ha retirado el filtro de aceite]



- A. Indicador de aceite
- B. Tubo

### **AVISO**

**Este motor se expide sin aceite de motor.**

## PUESTA EN MARCHA

### Puesta en marcha del motor

#### PELIGRO

Los gases del tubo de escape contienen monóxido de carbono, un gas tóxico, incoloro e inodoro. La inhalación de monóxido de carbono puede provocar lesiones cerebrales graves o la muerte. **NO** ponga en marcha el motor en espacios cerrados. Póngalo en marcha únicamente en lugares bien ventilados.

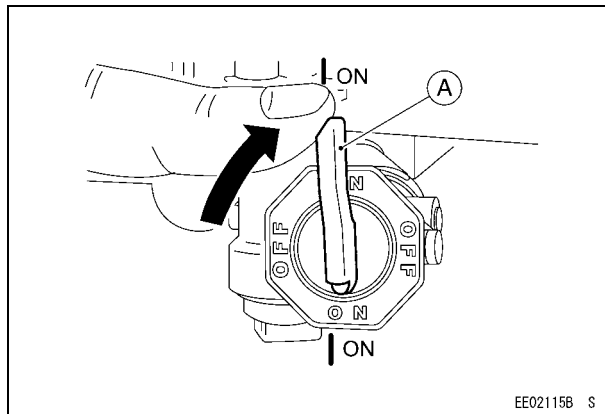
#### ADVERTENCIA

El escape del motor puede inflamar los materiales combustibles y provocar un incendio. Mantenga despejada la zona cercana a la salida de escape. Coloque la unidad de forma que dicha salida esté orientada hacia un área despejada y en una ubicación con una distancia de al menos un metro de cualquier obstrucción.

#### NOTA

- Tenga en cuenta lo siguiente para arrancar el motor sin problemas cuando las temperaturas sean bajas.

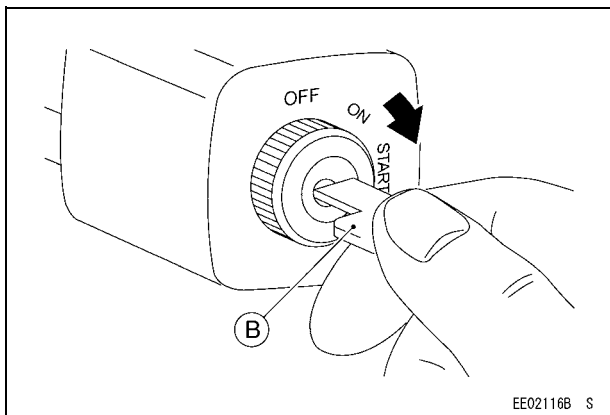
- Utilice el aceite adecuado para la temperatura prevista (consulte el capítulo RECOMENDACIONES SOBRE EL COMBUSTIBLE Y EL ACEITE).
- Utilice gasolina nueva.
- No deje el motor ni el equipo a la intemperie cuando no se esté utilizando.
- Antes de arrancar el motor, desconecte todas las posibles cargas exteriores.
- Abra la válvula de combustible del equipo.
- Ponga la llave en el interruptor de encendido y gírela a la posición "ON" o "RUN".
- Gire la llave hasta la posición "START" (Arranque) del equipo. Normalmente el motor se pone en marcha en menos de 3 segundos.



EE02115B S

A. Válvula de combustible





**B. Llave del interruptor de contacto**

### **AVISO**

No accione continuamente el motor de arranque eléctrico durante más de 5 segundos, de lo contrario, la batería se podrá descargar rápidamente. Si el motor no arranca enseguida, espere 15 segundos y vuelva a intentarlo.

### **AVISO**

Siempre que arranque el motor, compruebe que la luz de aceite no se encienda después del arranque. Si la luz de aceite se enciende, pare el motor inmediatamente y compruebe el nivel de aceite (de equiparse).

# FUNCIONAMIENTO

---

### Calentamiento

---

Para calentar el motor, hágalo funcionar de 3 a 5 minutos con la palanca del acelerador en la posición de velocidad "SLOW" (Lento). A continuación, mueva la palanca del acelerador del equipo hasta la posición de velocidad "FAST" (Rápido) antes de poner el equipo bajo carga.

#### **AVISO**

Deje que el equipo se caliente lo suficiente (de 3 a 5 minutos al ralentí) antes de acelerarlo. De esta forma el aceite llega a todas las partes del motor y permite que la holgura del pistón alcance las especificaciones de diseño.

#### **AVISO**

Mientras se calienta el motor, asegúrese de que la luz de aviso (presión de aceite) no esté encendida en el tablero de instrumentos. La luz de aviso no debe estar iluminada (de equiparse) durante la operación del motor.

---

### Inclinación del motor

---

Este motor funcionará de forma continuada con inclinaciones de hasta 25° en cualquier dirección.

Lea las instrucciones de funcionamiento del equipo en el que se utilice este motor. Debido al diseño o a la aplicación de dicho equipo, pueden existir restricciones más estrictas respecto al ángulo de funcionamiento.

#### **AVISO**

No opere este motor en forma continua a un ángulo de inclinación superior a 25° en cualquier dirección. Se podrán producir daños en el motor debido a una lubricación insuficiente.

---

## **MIL (Luz indicadora de mal funcionamiento)**

---

El equipo cuenta con una luz MIL para indicar el mal funcionamiento del sistema EFI.

La luz MIL se ilumina cuando la ECU del motor detecta una avería en el sistema EFI.

Si se ilumina la MIL, consulte con un distribuidor autorizado de motores Kawasaki o con un centro de servicio de similar cualificación.

---

## **Modo de potencia reducida (velocidad del motor reducida al ralentí bajo)**

---

Cuando la ECU detecta que el motor está en las siguientes condiciones, la ECU reduce la velocidad del motor hasta el ralentí bajo (modo de potencia reducida).

Si el motor entra en el modo de potencia reducida, deténgalo tan pronto como sea posible y consulte la guía de solución de problemas al final de este manual.

Realice cuanto antes el servicio de un motor que ha entrado en el modo de potencia reducida. La operación en el modo de potencia reducida por un período de tiempo prolongado puede causar la avería del motor.

### **Causas del modo de potencia reducida**

- Sobrecalentamiento del motor (MIL encendida)
- La presión de aceite es baja (si está equipado con interruptor de aceite/MIL apagada, luz de aceite encendida)
- Mal funcionamiento del control de la válvula del acelerador (mal funcionamiento interno de la ECU/MIL encendida)
- Mal funcionamiento del sensor de posición del acelerador (mal funcionamiento interno del cuerpo del acelerador/MIL encendida)
- Mal funcionamiento del sensor de entrada del acelerador manual (MIL encendida)

# PARADA

## Parada del motor

### Parada normal

- Mueva la palanca del acelerador hasta la posición "SLOW" (Lento).
- Déjelo funcionar a la velocidad "SLOW" (Lento) durante aproximadamente un minuto.

### **AVISO**

**Si el motor se estaba utilizando a alta velocidad y se para de repente, se pueden producir daños en el mismo debido al funcionamiento en vacío o a la persistencia de la combustión durante el periodo de expansión. Antes de apagar el motor, reduzca la velocidad del motor hasta el ralentí durante un minuto.**

- Ponga el interruptor de contacto en la posición "OFF".

### Parada de emergencia

- Ponga inmediatamente el interruptor de contacto en la posición "OFF".
- Cierre la válvula de combustible del equipo.



### **ADVERTENCIA**

**Dejar el equipo con la llave colgada en el encendido podría dar lugar a la operación por parte de personal inexperto. Podría provocar un accidente grave y lesiones. Siempre retire la llave del equipo desatendido.**

# AJUSTE

---

## Ajuste de la velocidad del motor

---

### NOTA

- *No modifique el ajuste del sistema EFI para aumentar la velocidad del motor. Todos los sistemas EFI se ajustan en fábrica.*
- *En caso de que sea necesario un ajuste, consulte con un distribuidor autorizado de motores Kawasaki o con un centro de servicio de similar cualificación para que le realicen el ajuste.*

# MANTENIMIENTO

**El mantenimiento, sustitución o reparación de los dispositivos y sistemas de control de emisiones pueden realizarse a través de cualquier taller o técnico de motores no diseñados para vehículos.**

**Tabla de mantenimiento periódico**

**⚠ ADVERTENCIA**

**Evite el arranque accidental durante el servicio del motor retirando las tapas de las bujías.**

**NOTA**

○ *Los intervalos de mantenimiento se pueden utilizar como guía. El mantenimiento se deberá realizar con mayor frecuencia dependiendo de las condiciones de funcionamiento.*

MANTENIMIENTO	INTERVALO						
	Diario	Cada 50 h	Cada 100 h	Cada 200 h	Cada 250 h	Cada 300 h	Cada 500 h
Comprobar y añadir aceite de motor.	●						
Comprobar si hay tuercas o tornillos flojos o falta alguno de estos elementos.	●						
Comprobar si hay fugas de combustible o de aceite.	●						
Comprobar el nivel de electrolito de la batería.	●						
◆ Comprobar o limpiar la rejilla filtradora de entrada de aire.	●						
Comprobar la cubierta de limpieza.		●					
◆ Limpiar el polvo y la suciedad del cilindro ◇ y aletas de la cabeza del cilindro.			●				
Apretar las tuercas y tornillos.			●				
Cambiar el aceite del motor.	Cada 100 horas o 1 año, lo cual se cumpla primero						

## 28 MANTENIMIENTO

MANTENIMIENTO	INTERVALO						
	Diario	Cada 50 h	Cada 100 h	Cada 200 h	Cada 250 h	Cada 300 h	Cada 500 h
Limpiar y reajustar la separación entre los electrodos de las bujías de encendido.			•				
Cambiar el filtro de aceite.				•			
◆ Sustituir el elemento de papel del filtro de aire.					•		
◆ Comprobar el elemento secundario del filtro de aire.					•		
◇ Limpiar la cámara de combustión.						•	
◇ Comprobar y ajustar la holgura de las válvulas.						•	
◇ Limpiar y rectificar la superficie de asiento de la válvula.						•	
◆ Sustituir el elemento secundario del filtro de aire.							•

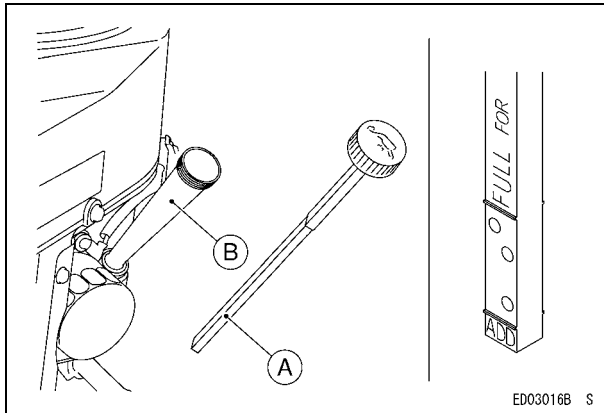
◆: Realice el mantenimiento con mayor frecuencia en condiciones de mucho polvo o suciedad.

◇: El mantenimiento se realizará a través de un distribuidor autorizado de motores Kawasaki o centro de servicio de similar cualificación.



## Comprobación del nivel de aceite

Compruebe el nivel de aceite a diario y antes de cada uso. Asegúrese de que se mantiene el nivel de aceite correcto. Consulte el capítulo PREPARACIÓN.



A. Indicador de aceite  
B. Tubo

## Cambio de aceite

Cambiar el aceite cada 100 horas o 1 año lo cual se cumpla primero.

### NOTA

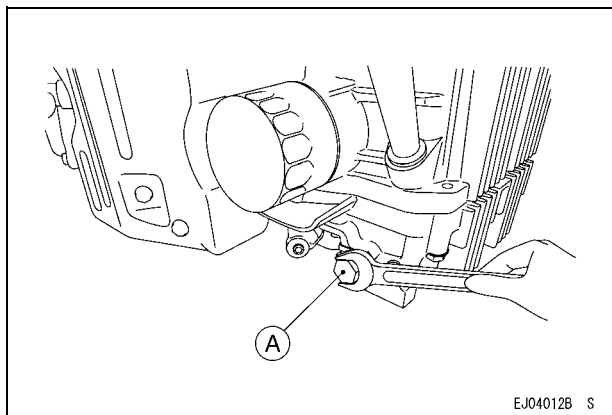
○ Si no dispone de una llave de torsión, esta revisión deberá realizarse en un distribuidor autorizado de motores Kawasaki o un centro de servicio de similar cualificación.

- Arranque el motor para calentar el aceite.
- Asegúrese de que el motor (equipo) esté sobre una superficie nivelada.
- Pare el motor.
- Quite el tapón de drenaje de aceite (A) y extraiga el aceite a un contenedor adecuado mientras el motor está caliente.

### ⚠ ADVERTENCIA

**El aceite caliente del motor puede provocar quemaduras graves.  
Deje que la temperatura del motor descienda de caliente a templada antes de vaciar y manipular el aceite.**

## 30 MANTENIMIENTO



### A. Tapón de drenaje de aceite

- Sustituya la junta tórica del tapón de drenaje de aceite por una nueva.
- Aplique grasa a la junta tórica.
- Apriete el tapón de drenaje de aceite.

### Par de apriete

#### Tapón de drenaje de aceite:

**6,9 N·m (0,70 kgf·m)**

- Extraiga el indicador de nivel de aceite y llene con aceite nuevo (consulte el capítulo RECOMENDACIONES SOBRE EL COMBUSTIBLE Y EL ACEITE).
- Compruebe el nivel de aceite (consulte el capítulo PREPARACIÓN).

## ADVERTENCIA

El aceite del motor es una sustancia tóxica. Deshágase del aceite utilizado de la forma más adecuada. Póngase en contacto con las autoridades locales para informarse de los métodos de eliminación adecuados o de su posible reciclado.

## Cambio del filtro de aceite

- Cambie el filtro de aceite cada 200 horas de funcionamiento.

### ADVERTENCIA

**El aceite caliente del motor puede provocar quemaduras graves. Deje enfriar el motor hasta una temperatura templada antes de extraer el filtro de aceite.**

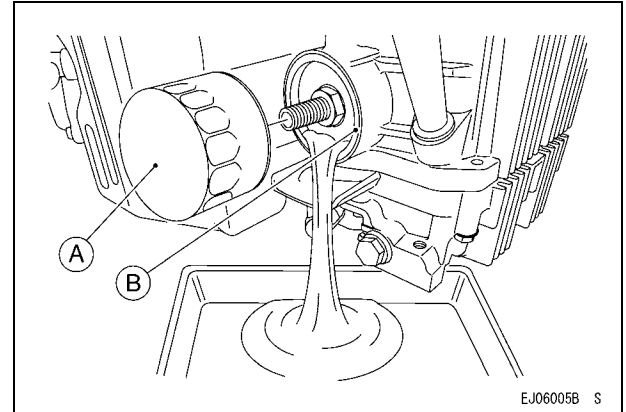
- Drene el aceite de motor en un contenedor adecuado.

### AVISO

**Antes de extraer el filtro de aceite, coloque una bandeja adecuada debajo de la conexión del filtro.**

- Gire el filtro de aceite en el sentido contrario a las agujas del reloj y extráigalo.
- Extienda una película de aceite de motor limpio en el sello del nuevo filtro.
- Instale el nuevo filtro girándolo en el sentido de las agujas del reloj hasta que haga contacto con la superficie de montaje. A continuación, gire adicionalmente el filtro 3/4 de vuelta con la mano.
- Coloque el tapón de drenaje de aceite (consulte la sección Cambio de aceite).
- Añada el aceite de motor especificado.

- Haga funcionar el motor durante aproximadamente 3 minutos, pare el motor y revise si hay fugas de aceite alrededor del filtro.
- Añada aceite para compensar la bajada del nivel debido a la capacidad del filtro de aceite (consulte el capítulo PREPARACIÓN).



- A. Filtro de aceite
- B. Superficie de montaje

### ADVERTENCIA

**El aceite del motor es una sustancia tóxica. Deshágase del aceite utilizado de la forma más adecuada. Póngase en contacto con las autoridades locales para informarse de los métodos de eliminación adecuados o de su posible reciclado.**

## 32 MANTENIMIENTO

### Mantenimiento del filtro de aire

#### **AVISO**

**No haga funcionar el motor con el filtro de aceite desmontado.**

#### **Filtro de aire**

No se recomienda limpiar los elementos del filtro de aire. Reemplace cada elemento del filtro de aire por uno nuevo cuando realice el mantenimiento, tal y como se muestra en el gráfico de mantenimiento.

#### **AVISO**

**Para evitar el desgaste excesivo del motor, evite que el motor funcione sin filtro de aire.**

#### **AVISO**

**No lave el elemento de papel. No aplique aceite al elemento de papel o de espuma. No utilice aire a presión para limpiar el elemento de papel.**

#### **NOTA**

○ *El funcionamiento en condiciones de polvo o suciedad podría requerir un mantenimiento más frecuente.*

#### **Elemento primario**

Reemplace el elemento primario de aire cada 250 horas.

#### **Elemento secundario**

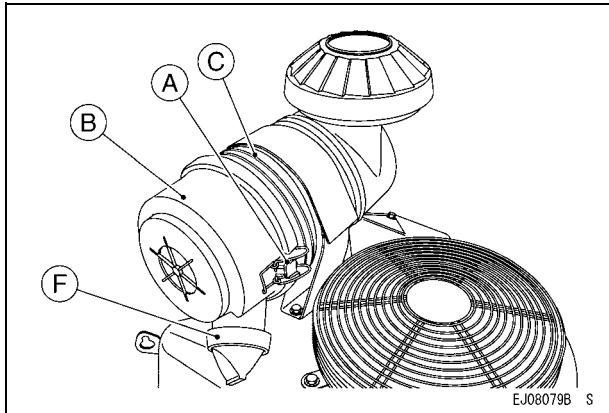
- Reemplace el elemento secundario por uno nuevo si el elemento secundario está sucio al comprobar el elemento primario.
- Reemplace el elemento secundario por uno nuevo cada 500 horas.

#### **Tapa (válvula del eyector de polvo)**

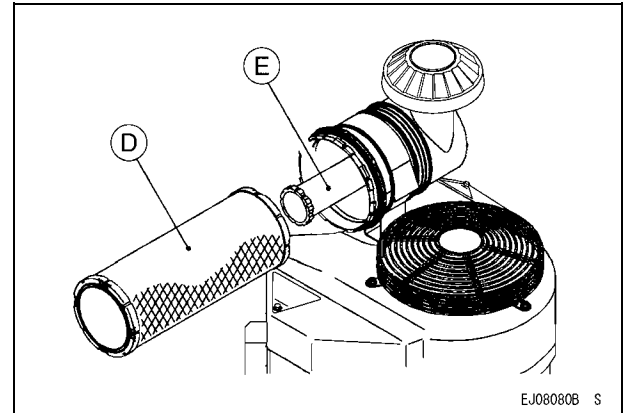
Empuje y abra la tapa de la caja del cuerpo del filtro de aire para expulsar el polvo y/o agua acumulados en el interior.

#### **Reemplace el elemento del filtro de aire**

- Suelte las dos abrazaderas de retención y retire la caja del cuerpo del filtro de aire.
- Tire del elemento primario y del elemento secundario del cuerpo del filtro de aire para retirarlos.
- Instale los nuevos elementos del filtro de aire en el cuerpo del filtro de aire.
- Vuelva a instalar la caja y el tapón y apriete firmemente las dos abrazaderas de retención.



- A. Abrazaderas de retención**
- B. Caja**
- C. Cuerpo del filtro de aire**
- F. Tapa (válvula del eyector de polvo)**



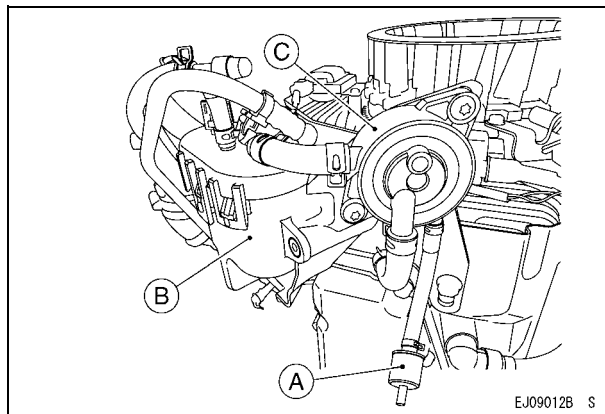
- D. Elemento primario**
- E. Elemento secundario**

### Mantenimiento del filtro y la bomba de combustible

#### **ADVERTENCIA**

Muchos disolventes son sumamente inflamables y pueden causar quemaduras graves. El uso incorrecto de disolventes puede causar un incendio o una explosión. No utilice gasolina ni disolventes con baja temperatura de inflamación para limpiar el filtro de combustible y/o las bombas de combustible. La limpieza se debe realizar siempre en un lugar bien ventilado, lejos de fuentes de chispas o llamas, incluyendo cualquier aparato con luz piloto.

- El filtro de combustible no se puede desmontar. Si se obstruye, sustitúyalo por uno nuevo.
- La bomba de combustible no se puede desmontar. Si ésta falla, sustitúyala por una nueva.



EJ09012B S

- A. Filtro de combustible
- B. Bomba de combustible (eléctrico)
- C. Bomba de combustible (pulso)

## Mantenimiento de la bujía de encendido

### ADVERTENCIA

Los motores pueden calentarse considerablemente durante el normal funcionamiento. Los componentes calientes del motor pueden provocar quemaduras graves. Pare el motor y deje que se enfríe antes de comprobar las bujías de encendido.

Limpie o reemplace las bujías y ajuste la separación cada 100 horas de funcionamiento.

### NOTA

- Si no dispone de una llave de torsión, esta revisión deberá realizarse en un distribuidor autorizado de motores Kawasaki o un centro de servicio de similar cualificación.
- Retire los capuchones de las bujías de encendido y extraiga las bujías.
- Limpie los electrodos mediante raspado o con un cepillo no metálico (nylon, etc.) y elimine el carbón depositado.
- Inspeccione si presenta porcelana agrietada u otros daños o desgaste. Si es necesario, sustituya la bujía de encendido por una nueva.
- Compruebe el huelgo de la bujía y reajústelo si fuera necesario. Para cambiar la separación, doble sólo el electrodo lateral con una herramienta específica para tal fin.

### Distancia mínima entre electrodos

NGK BPR4ES	0,75 mm
------------	---------

- Apriete las bujías.

### Par de apriete

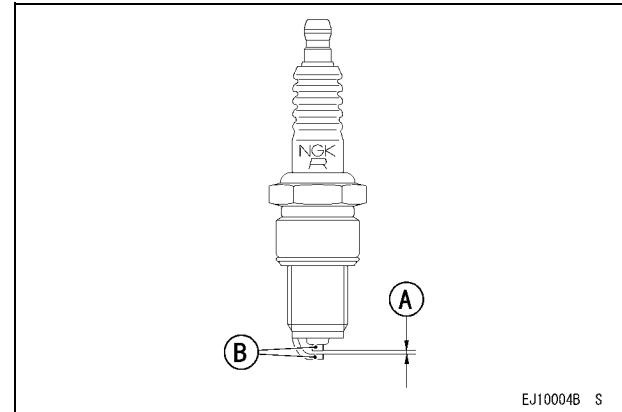
#### Bujías de encendido:

22 N·m (2,2 kgf·m)

- Coloque firmemente las tapas de las bujías en las bujías.
- Levante ligeramente las tapas de las bujías y asegúrese de que estén instaladas.

### TAPA DE BUJÍA RECOMENDADA

NGK .....BPR4ES



**A. Distancia mínima entre electrodos**

**B. Electrodos**

### Mantenimiento de los fusibles

---

Hay un fusible tipo plano en la caja de fusibles situada en el lateral del motor.

Si un fusible se funde durante el funcionamiento, revise la causa y sustitúyalo por uno nuevo del amperaje correcto.

### Limpieza del sistema de refrigeración

---

Antes de cada operación, verifique que la rejilla de entrada de aire (rotativa) esté libre de hierbas y suciedad. Limpie la rejilla según se requiera.

Cada 50 horas de funcionamiento, revise si hay polvo o suciedad en el interior de la carcasa del ventilador. Para revisar el interior, retire la cubierta para la limpieza y realice la inspección a través de los orificios de inspección de la carcasa del ventilador. Limpie o sople el polvo según se requiera. Si es difícil limpiar el polvo desde los orificios, extraiga la carcasa del ventilador y limpie la suciedad por completo.

Cada 100 horas de funcionamiento, revise y limpie las aletas de refrigeración y el interior de los refuerzos del motor para eliminar las hierbas, matas o suciedad que obstruyen el sistema de refrigeración y causan el sobrecalentamiento.

Los procedimientos de limpieza son como sigue.

- Afloje la abrazadera y retire el tubo de entrada de aire.
- Afloje los cuatro pernos y retire el filtro de aire.
- Afloje los tornillos y retire el regulador de voltaje.
- Afloje los tornillos y retire el protector de entrada de aire.
- Extraiga los pernos torx y retire la rejilla de entrada de aire.
- Afloje los tres pernos y extráigalos de la carcasa del ventilador.
- Retire la carcasa del ventilador.



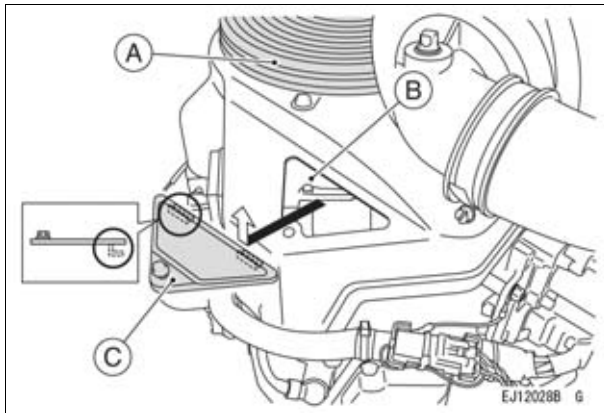
- Limpie y elimine el polvo o la suciedad del ventilador de enfriamiento y del cuerpo del motor.

**NOTA**

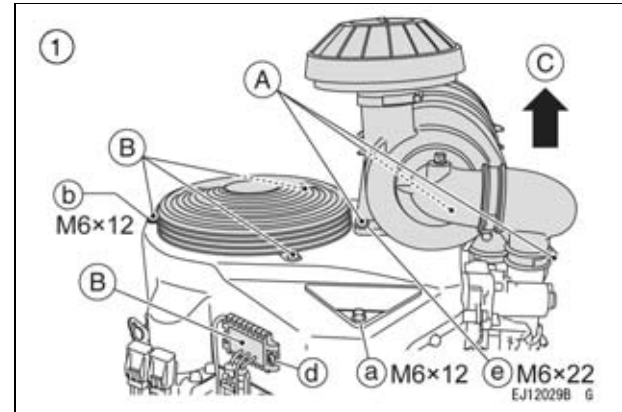
- Tape el orificio de admisión del cuerpo del acelerador para evitar la entrada de polvo.

**AVISO**

Para mantener una buena refrigeración, no haga funcionar el motor antes de volver a instalar todas las piezas del sistema de refrigeración.



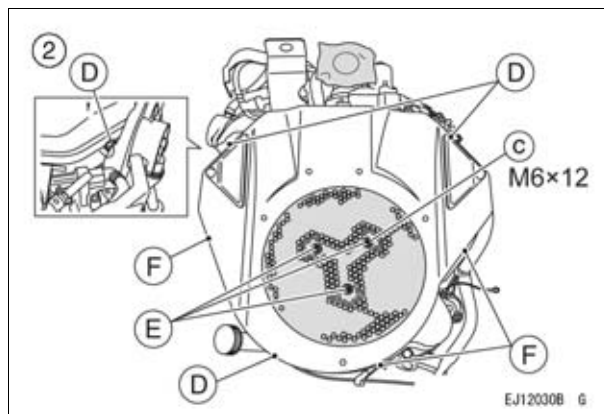
- A. Revisar la rejilla de entrada de aire.
- B. Revisar si hay polvo a través del orificio de inspección.
- C. Aflojar el perno y retirar la cubierta para la limpieza.



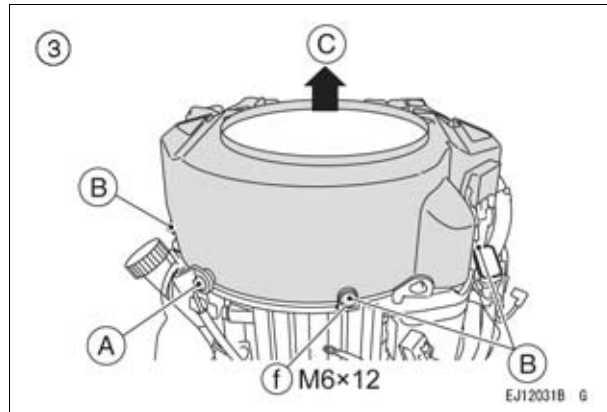
- A. Retirar los pernos y aflojar la abrazadera.
- B. Extraer
- C. Retirar el filtro de aire.

## 38 MANTENIMIENTO

Perno		Par de apriete		
		N·m	kgf·m	
a	Perno de la cubierta para la limpieza	6,85	0,699	5,9+1,9-0
b	Perno del protector			
c	Perno de la rejilla de entrada de aire			
d	Perno del regulador	-	-	-
e	Perno del filtro de aire	9,75	0,994	8,8+1,9-0

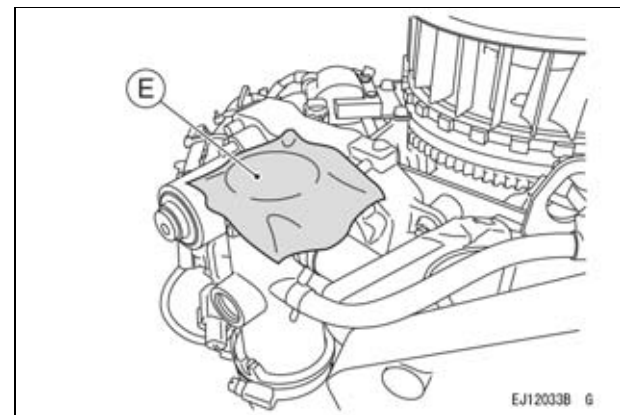
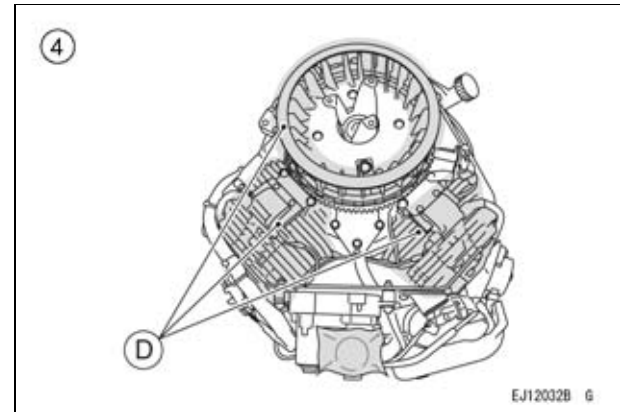


- D.** Aflojar los pernos.
- E.** Extraer los pernos torx y la rejilla.
- F.** Extraer los pernos.



- A. Aflojar el perno.
- B. Extraer los pernos.
- C. Extraer la carcasa del ventilador.

Perno		Par de apriete		
		N·m	kgf·m	
f	Perno de la carcasa del ventilador	6,85	0,699	5,9+1,9-0



- D. Limpiar y eliminar el polvo o la suciedad.
- E. Cubrir el orificio de admisión.

## ALMACENAMIENTO

### Procedimiento de almacenamiento del motor

Cuando deje su motor Kawasaki sin usar durante más de 30 días, añada estabilizador de combustible al depósito de combustible y hágalo funcionar durante 5 minutos, a continuación, drene el depósito de combustible.

Después de drenar el depósito de combustible, haga funcionar el motor a ralentí bajo hasta que el motor se pare.

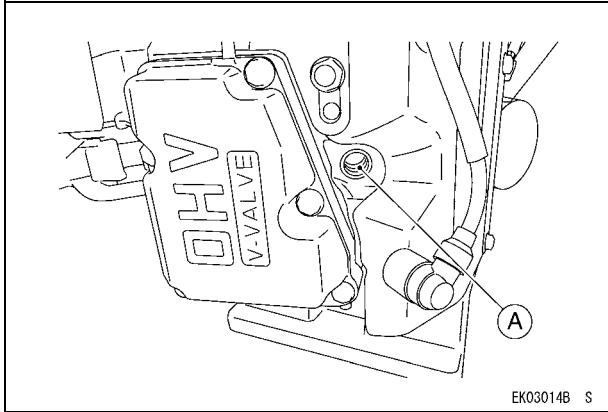
#### ADVERTENCIA

**La gasolina es sumamente inflamable y, en determinadas condiciones, podría explotar. Drene el combustible antes de almacenar el equipo durante períodos de tiempo prolongados. Vacíe la gasolina en un área bien ventilada y alejada de cualquier fuente de llama o chispas, incluido cualquier aparato que tenga un testigo luminoso. Guarde la gasolina en un recipiente aprobado y en un lugar seguro.**

#### ADVERTENCIA

**La gasolina es una sustancia tóxica. Deseche la gasolina de la manera adecuada. Póngase en contacto con las autoridades locales para informarse de los métodos de eliminación adecuados.**

- Retire las bujías y vierta aproximadamente 1 a 2 mL (1/2 cucharadita) de aceite de motor a través de los orificios de las bujías y luego enrosque las bujías después de hacer girar el motor unas cuantas veces. Haga girar el motor lentamente hasta notar que hay compresión y déjelo en ese punto. Con esto, el aire queda atrapado dentro de los cilindros e impide la oxidación dentro del motor.



**A. Orificio de la bujía**

- Limpie el cuerpo con un paño aceitoso.
- Envuelva el motor con un plástico y guárdelo en un lugar seco.
- Después del almacenamiento, cambie el aceite del motor antes del siguiente uso (consulte la sección Cambio de aceite en el capítulo MANTENIMIENTO).

# SOLUCIÓN DE AVERÍAS

Si el motor no funciona correctamente, compruebe con atención los síntomas y las condiciones de funcionamiento y consulte la siguiente tabla como guía para reparar las averías.

Síntoma		Causa probable	Solución
El motor no arranca o la potencia es baja	Compresión insuficiente	Las bujías de encendido están flojas	Apriételas correctamente
		Pistones, cilindros, aros de pistón o juntas de la culata defectuosos	◇
		Las válvulas fallan	
		Pernos de culata del cilindro flojos	
	No llega combustible a la cámara de combustión	No hay combustible en el depósito	Rellene el depósito
		La válvula de combustible no está en la posición "ON".	Abra la palanca de la válvula de combustible.
		Filtro o tubo de combustible obstruido	Cambie el filtro o el tubo de combustible
		Orificio de ventilación de aire obstruido en el tapón del depósito	Limpie la tapa del depósito de combustible
		Sistema de combustible defectuoso	◇
	Las bujías de encendido están llenas de aceite	El filtro de aire está obstruido	Sustituir
		Grado/tipo de combustible incorrecto	Cambie el combustible
		Agua en el combustible	
		Mezcla de aire/combustible excesivamente rica	◇
		Sistema de combustible defectuoso	

Síntoma		Causa probable	Solución
El motor no arranca o la potencia es baja	No enciende o el encendido es débil	Fallan las bujías de encendido	Sustitúyalas
		El interruptor del motor está en la posición "OFF"	Gire la llave de contacto del motor hasta la posición "START" (Arranque). (Consulte <b>M</b> )
		Fallan las bobinas de encendido	◇
Poca potencia	El motor se sobrecalienta	El filtro de aire está obstruido	Sustituir
		Rejilla de entrada de aire o conducto del aire de refrigeración obstruido con suciedad	Limpiar
		No hay suficiente aceite	Rellénelo o cambie el aceite
		Se ha acumulado carbonilla en la cámara de combustión	◇
	La velocidad del motor no aumenta	Regulador E defectuoso.	◇

◇: El mantenimiento se realizará a través de un distribuidor autorizado de motores Kawasaki o centro de servicio de similar cualificación.

**M:** En el caso del tipo de interruptor mediante panel de control, aleje la palanca del acelerador del equipo del extremo de baja velocidad antes de girar el interruptor de encendido hasta la posición "START".

## 44 SOLUCIÓN DE AVERÍAS

### Modo de potencia reducida

Síntoma		Causa probable	Solución
Velocidad del motor reducida al ralentí bajo.	Sobrecalentamiento del motor (MIL encendida)	Presencia de suciedad o polvo dentro de la cubierta	Limpieza (consulte la sección Limpieza del sistema de refrigeración en el capítulo MANTENIMIENTO)
		Mal funcionamiento del circuito o del sensor de temperatura	◇
	Presión de aceite baja (si está equipado con interruptor de aceite) (MIL apagada/luz de aceite encendida)	Nivel de aceite bajo	Añadir aceite (consulte la sección Comprobación del nivel de aceite en el capítulo MANTENIMIENTO)
		Mal funcionamiento del circuito o del interruptor de aceite	◇
		Mal funcionamiento del sistema de lubricación	◇
	Mal funcionamiento del sensor de entrada del acelerador manual (MIL encendida)	Problema del cableado o mal funcionamiento del sensor	◇
	Mal funcionamiento del interruptor de la ECU/cuerpo del acelerador (MIL encendida)	Falla del control de la válvula del acelerador	◇
		Mal funcionamiento del sensor de posición del acelerador	◇



- ◇: El mantenimiento se realizará a través de un distribuidor autorizado de motores Kawasaki o centro de servicio de similar cualificación.

## PROTECCIÓN MEDIOAMBIENTAL

Para ayudar a preservar el medio ambiente, descarte correctamente las baterías, aceites y líquidos usados u otros componentes del motor.

Consulte a un distribuidor autorizado de motores Kawasaki o centro de servicio de similar cualificación o a la agencia de residuos medioambientales sobre el procedimiento que debe seguirse para realizar una correcta eliminación. Esto también se aplica a la eliminación del motor en sí cuando llegue al final de su vida de servicio.

# ESPECIFICACIONES

	FX730V EFI
Tipo	Motor de gasolina OHV de 4 tiempos y 4 válvulas, refrigerado por aire, cilindros gemelos en V
Calibre × carrera	78 × 76 mm
Cilindrada	726 ml
Sistema de encendido	Encendido electrónico
Dirección de rotación	Contraria a las agujas del reloj, mirando al eje de toma de fuerza
Sistema de arranque	Motor de arranque eléctrico

## NOTA

○ *Las especificaciones pueden sufrir cambios sin previo aviso.*

**⚠ WARNING**

The engine exhaust from this product contains chemicals known to the State of California to cause cancer, birth defects or other reproductive harm.

**⚠ ADVERTENCIA**

El escape del motor de este producto contiene productos químicos que, según el Estado de California, provocan cáncer, defectos de nacimiento o afectan a la fecundidad.

For repair or maintenance assistance contact an authorized Kawasaki engine dealer or equally qualified service facility.

For warranty assistance please contact an authorized Kawasaki engine dealer.

Kawasaki engine dealer locator can be found on our website: [www.kawasakienginesusa.com](http://www.kawasakienginesusa.com)

For further assistance email: [kawasakienginesupport@kmc-usa.com](mailto:kawasakienginesupport@kmc-usa.com) or call 877-364-6404

Para obtener asistencia en la reparación y mantenimiento, póngase en contacto con un distribuidor autorizado de motores Kawasaki o con un centro de servicio de similar cualificación.

Para obtener asistencia respecto a la garantía, póngase en contacto con un distribuidor autorizado de motores Kawasaki. El localizador de distribuidores de motores Kawasaki se encuentra disponible en nuestro sitio web: [www.kawasakienginesusa.com](http://www.kawasakienginesusa.com)

Si necesita más asistencia, envíe un correo electrónico a [kawasakienginesupport@kmc-usa.com](mailto:kawasakienginesupport@kmc-usa.com) o llame al 877-364-6404



**Kawasaki**  
— ENGINES —