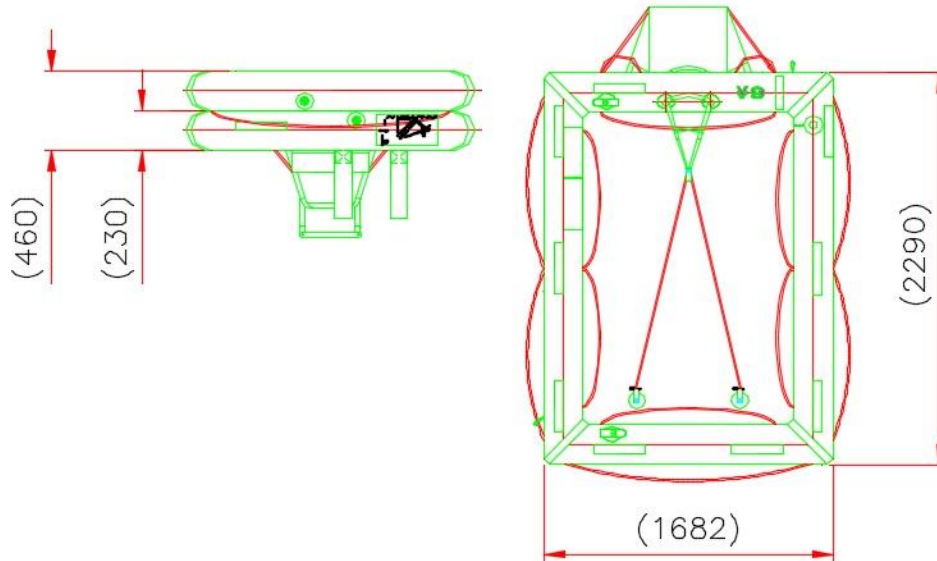


# 6 PERSON MKIV IBA

Inflatable Bouyant Apparatus

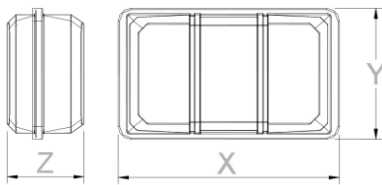


	2 knot		3 knot	
<b>Tow Force</b>	1.24kN	279lbf	1.24kN	279lbf

Authorities  
USCG

Container: LPC MK12 S2

Equipment Pack: IBA

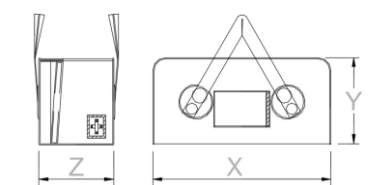


	X	Y	Z	Weight
Raft	860mm	510mm	300mm	37.5kg
	2' 9 3/4"	1' 9"	11 3/4"	83lbs

Max Stowage Height	Painter Length
6m	12m
20'	39'

Container: Valise Size 3

Equipment Pack: IBA



	X	Y	Z	Weight
Raft	780mm	420mm	360mm	31.8kg
	2' 6 3/4"	1' 4 1/2"	1' 2 1/4"	70lbs

Max Stowage Height	Painter Length
6m	12m
20'	39'

Dimensions and weight +/- 5%  
Survitec Group reserves the right to change specification without notice.  
For installation, add minimum +10mm for clearance to dimensions of the container.