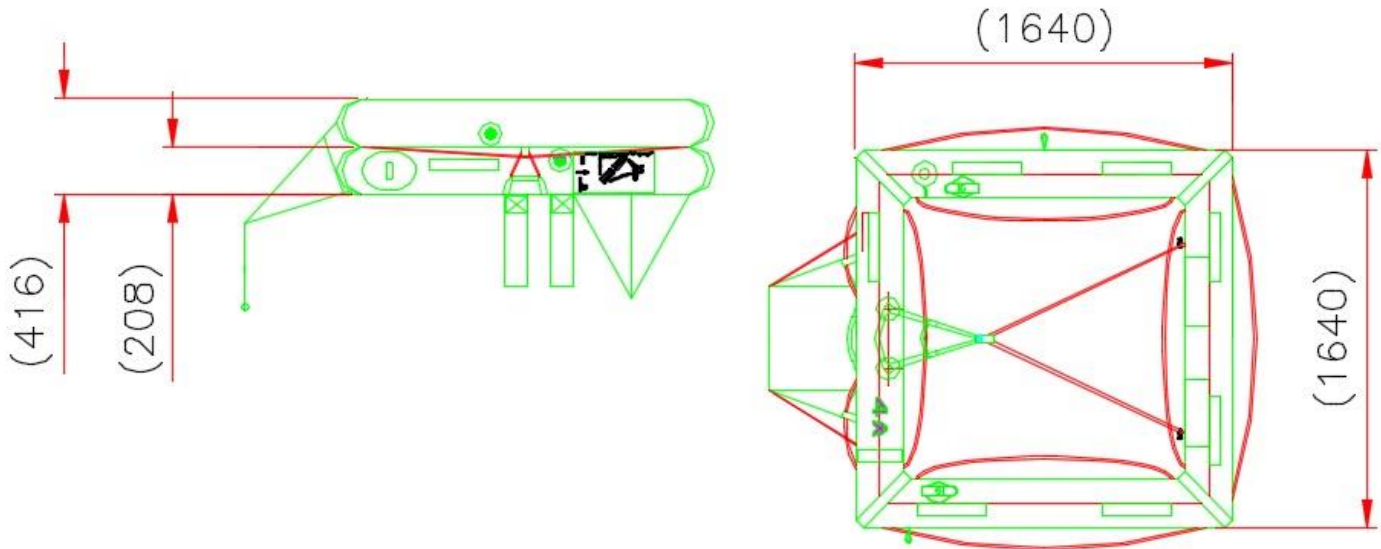


4 PERSON MKIV IBA

Inflatable Bouyant Apparatus

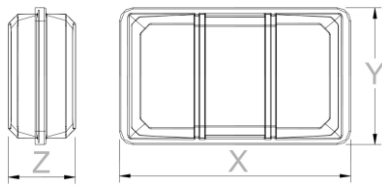


	2 knot		3 knot	
Tow Force	0.58kN	130lbf	1.03kN	232lbf

Authorities
USCG

Container: LPC MK12 S1

Equipment Pack: IBA

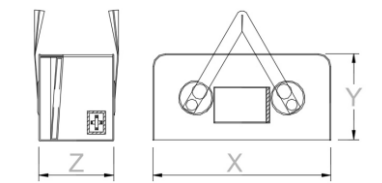


	X	Y	Z	Weight
Raft	860mm	510mm	250mm	32kg
	2' 9 3/4"	1' 9"	9 3/4"	71lbs

Max Stowage Height	Painter Length
6m	12m
20'	39'

Container: Valise Size 2

Equipment Pack: IBA



	X	Y	Z	Weight
Raft	780mm	330mm	340mm	26.6kg
	2' 6 3/4"	1' 1"	1' 1 1/2"	59lbs

Max Stowage Height	Painter Length
6m	12m
20'	39'

Dimensions and weight +/- 5%
Survitec Group reserves the right to change specification without notice.
For installation, add minimum +10mm for clearance to dimensions of the container.