



STACYC model 20HDRIVE

A large, light gray graphic in the background consists of a thick circular ring with a lightning bolt shape cut out of its center. The lightning bolt is also light gray and points downwards.

**ORIGINAL
INSTRUCTIONS**

STACYC, INC.
6701 CORPORATION PKWY
SUITE 150
FORT WORTH, TX 76126

Revision 2025-03

TABLE OF CONTENTS:

Important Safety Information	05
Getting Started	13
Assembly	21
Features	22
Cockpit System	26
Preparing to Ride	31
Your First Ride	31
Battery Packs	33
Moving and Storing your STACYC	39
Troubleshooting	43
User Maintenance	45
Legal	47

WELCOME TO THE PIT CREW

Congratulations on your purchase of the STACYC™ 20 HDrive eBike from the world's first patented Electric Powered Balance Bike brand. The 20 HDrive is the next evolution in our product range, delivering STACYC's quality and confidence-inspiring ethos in an adult-sized eBike. This is a serious piece of machinery and must be used per the guidance in this owner's manual, and the on-product labels to maximize user safety. As the purchaser of this machinery, you are responsible to make sure it is operated in the intended environment, within your local eBike rules and regulations, and under the supervision and control of an adult that is familiar with the design, the operation, and the owner's manual.

Reminder: Always ensure riders are wearing a helmet and proper footwear.

For replacement parts and accessories, you should always use STACYC approved parts, as they have been specially designed for your bicycle and manufactured to meet STACYC's demanding standards.

This manual should be considered a permanent part of your eBike and should remain with the bicycle when it is sold.

If you need any assistance, please do not hesitate to reach out to us.

CONTACT INFORMATION

Email: support@STACYC.com

Phone: (325)766-7079 (9-5 Central, M-F)

Website: www.STACYC.com

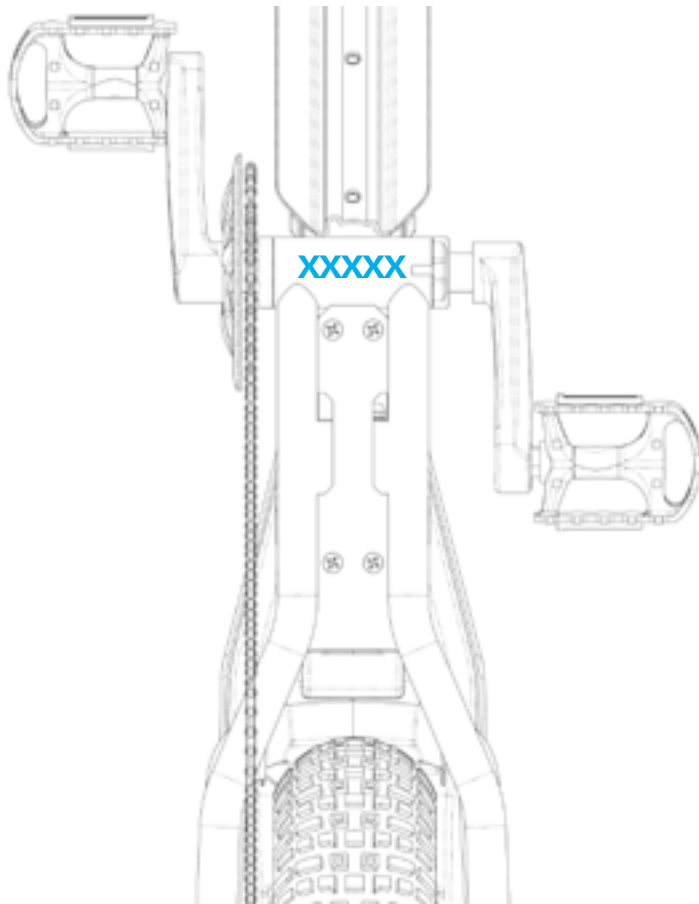
Live Chat: Agents available 9-5 Central, M-F

Scan the QR code to find the latest version of your manual.
Or go to: www.STACYC.com/pages/support-manuals



SERIAL NUMBER

*Please record your bicycle's serial number in the space below.
The serial number is located on the bottom bracket - bottom of your bicycle.*



IMPORTANT SAFETY INFORMATION

Read and Understand Owner's Manual Before Riding

Read this entire Owner's Manual before you take the first ride on your new eBike and keep it for reference. This Owner's Manual contains important safety, performance, and service information. The latest version of your manual is available at STACYC.com/manual

Like any sport, bicycling involves risk of injury and damage. By choosing to ride a bicycle, you assume the responsibility of that risk: you need to know and practice the rules of safe and responsible riding as well as proper use and maintenance. Proper use and maintenance of your bicycle reduces the risk of injury. With an eBike there is risk of fire or electric shock. If you have any questions or do not understand any aspect of using or maintaining your bike, take responsibility for your safety and consult with your local dealer, or contact us for assistance.

This manual is not intended as a comprehensive use, service, repair, or maintenance manual. Please see your local dealer for all service, repairs, or maintenance. Your local dealer may also be able to refer you to classes, clinics, or books on bicycle use, service, repair, and maintenance.

Your STACYC 20 HDrive is a Class 2 eBike, and is referred to in this manual as a bicycle unless otherwise noted.

Rider's Responsibility Regarding Regulations

It is the rider's responsibility to obey the regulations that apply to your STACYC eBike. The regulations covering the use of your STACYC eBike vary by province, state, and even municipality in certain locations. You must comply with the local regulations related to the minimum age of the rider, driver's license, insurance, license plate, traffic, maximum speed regulations, and any other regulations. These regulations may change at any time.

IMPORTANT SAFETY INFORMATION

Intended Use

The intended use of your STACYC eBike is to be ridden by one adult rider (age 18 and up) at an appropriate time and place for general transportation and/or recreational use. The intended use includes off-road use such as riding on gravel trails, hard packed dirt trails, and other surfaces where both wheels remain in contact with the ground at all times. Any other use is prohibited and may result in SERIOUS INJURY or DEATH.

Your bicycle is NOT INTENDED for mountain bicycle use including any kind of jumping or downhill mountain biking.

Riders should be proficient cyclists (ages 18+), riding where the tires are always on the ground, where permitted by law (not on pedestrian-use shared lanes or sidewalks). Your bicycle should not be used to tow another bicycle.

Safety Messages

- **To prevent serious injury or death:**
- **Read all safety warnings and all instructions.**
- **Always ride within your limits and the limits of your STACYC eBike.**
- **Bicycles are only for use by persons 18 years of age and above.** Riders must have the physical coordination, reaction, and mental capabilities to control a bicycle and manage traffic, in addition to managing road conditions and sudden situations with respect to the laws and instructions governing bicycle use. Persons with any mental or physical conditions that may make them susceptible to injury, impair their physical dexterity or mental capabilities to recognize, understand, and follow safety instructions—or understand the hazards inherent to its use—should not use or be permitted to use products inappropriate for their abilities.
- **Never ride under the influence of drugs and/or alcohol.**
- **Always keep small parts away from children.** Some eBike accessories may present a choking hazard to small children.
- **Never modify your frame or bicycle in any way.** Do not sand, drill, file, or remove parts from your bicycle. Do not install incompatible components or hardware.
- **Always use proper lifting techniques to prevent injury.**
- Your eBike may be significantly heavier than a bicycle without a battery pack and a motor.
- **Take responsibility for your own SAFETY.** If you have any questions or do not understand any aspect of using or maintaining your bicycle, contact STACYC at support@STACYC.com or call (325)766-7079.

IMPORTANT SAFETY INFORMATION

Helmets

- **Always wear a helmet. Wearing a helmet properly may reduce the risk of a severe head injury.** When riding, always wear a helmet that meets or exceeds the standards of the Consumer Product Safety Commission (CPSC). Check the manual that comes with your helmet.
- **Ensure your helmet fits your head and is properly secured.**
- **Read your helmet manual to make sure it is adjusted properly according to the fitting instructions provided by the helmet manufacturer.**
- **A proper-fitting helmet should be comfortable and should neither rock forward/backward nor side to side.**

Follow eBike Regulations On and Off the Road

- **Be aware of eBike regulations in your area.** Generally, the regulations for the use of a STACYC eBike are the same as those for a standard bicycle. However, there may be local differences such as where you can ride, minimum rider age, or required equipment and license and registration regulations. It is your responsibility to know the local regulations that apply to a STACYC eBike and to obey them.

Ride at Your Own Risk and Use Common Sense

- **Always keep both hands on the handlebar grips and the brake levers so they are within reach while riding.**
- **Do not ride distracted. Always remain alert to all riding conditions. Using the Display or other technology (including your mobile phone or music player) could distract you from riding. Only adjust the Display when stationary and in a safe start-up position.**
- **Never use headphones or a cell phone to talk or text when riding.**
- **Always ride defensively.** Watch out for potential obstacles that could force you to swerve suddenly or lose control. Braking while steering may reduce your ability to control your bicycle.
- **Look ahead and brake sooner.** You may be moving faster on your eBike, and it may be heavier compared to a bicycle, which means you may need to react and brake sooner when riding. Other road users may not expect you to be traveling at higher speeds. Riding faster may increase your risk of a crash.
- **Stop pedaling well before approaching corners to avoid entering a corner too quickly.** You should also pay particular attention to terrain conditions as you may approach obstacles faster than expected.

IMPORTANT SAFETY INFORMATION

Riding at Night

- **Riding at night comes with more risks than riding during the day due to decreased visibility; riders are encouraged to exercise increased caution in night-time conditions.**
- **Turn lights ON for safety. For increased visibility, ensure that the front headlight and rear taillight are turned ON and adjusted such that other people on the road can see them clearly. Also check your front and rear wheel reflectors.**
- **Riders should wear reflective clothing at night. You may want to attach additional flashing lights to your clothing or helmet.**

Riding in Wet Conditions

- Use caution when riding in wet conditions as it will take longer to brake and to stop. Your tires may slip when turning. Risk of a crash is dramatically increased in wet conditions.
- Your STACYC eBike can withstand light rain and small splashes, but it is not designed to be subjected to inclement weather, extremely heavy showers, or submersion in water. Water damage is not covered under the warranty

PRE-RIDE SAFETY CHECKLIST

STACYC recommends going through each item on the pre-ride safety checklist before and after each ride. Spending time to make sure all of the bike's components are in good working order before a ride is a crucial step along the way to a safe and fun ride. This checklist is not intended to function as a detailed service manual. Be sure to read your entire owner's manual before riding or repairing your bike. If you do not have the expertise required to perform any of these checks, STACYC recommends having your local dealer mechanic perform a detailed safety check of your bike in regular intervals. Ensure your local mechanic is experienced and reputable.

- **Before each ride, inspect your eBike for damage. If damage is found, do not ride.**
- **Verify that the front and rear axles are secure.**
- **Check that the front and rear tire pressure is within the recommended pressure range printed on the tire sidewall.**
- **Pull the brake levers to ensure the brakes are working properly and adjust if necessary. Check rear brake light.**
- **Turn on the lights, especially if riding at night. Check for proper operation.**
- **Make sure all hardware is tightened to the recommended torque specifications found in "Tightening Torque" on page 20.**
- **Check that the saddle is secure and there is no loose mounting hardware.**
- **Check the condition of the chain to see if it needs cleaning or lubrication.**
- **Wear a helmet and high visibility clothing.**
- **NEVER exceed the maximum total payload limit of 250 lbs, (113 kg).**
- **Ensure all components are properly secured.**
- **Make sure your batteries are fully charged.**

SIGNAL WORDS, WARNINGS, AND CAUTION STATEMENTS

This manual contains many “Warnings” and “Cautions” concerning the consequences of failure to maintain or inspect your bicycle and of failure to follow safe cycling practices.

 **DANGER**

Indicates a hazardous situation that, if not avoided, will result in death or serious injury.

 **WARNING**

The combination of the safety alert symbol and the word **WARNING** indicates a hazardous situation that, if not avoided, could result in death or serious injury.

 **WARNING!** 

The combination of the safety alert symbol and the word **CAUTION** indicates a hazardous situation that, if not avoided, could result in minor or moderate injury, or is an alert against unsafe practices.

 **CAUTION**

The word **CAUTION** used without the safety alert symbol indicates a situation which, if not avoided, could result in serious damage to the bicycle or the voiding of your warranty.

CAUTION

NOTICE

Indicates information considered important, but not hazard-related (e.g. messages relating to property damage).

SYMBOL INDEX



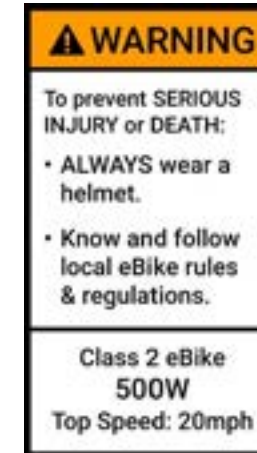
Safety Alert Symbol. This symbol is used to alert you to potential personal injury hazards. Obey all safety messages that follow this symbol to avoid possible serious injury or death.



Safety Alert Symbol. Read, understand, and follow the warnings and instructions in this manual.

ON PRODUCT WARNING LABEL

There are warning labels on your STACYC eBike for your protection. If a label is missing or is not legible, contact STACYC for a replacement.



States, provinces or municipalities that recognize three classes of eBikes require a label to be placed on the bicycle denoting the Class, the motor’s wattage rating, and the top speed of your STACYC eBike.

Your bicycle is a Class 2 bicycle and has a label with this information posted on the downtube near the motor controller panels on the bicycle.

ON PRODUCT WARNING TAGS

There are warning tags on your STACYC eBike for your protection. If a tag is missing or is not legible, contact STACYC for a replacement.



GETTING STARTED

These instructions are intended to assist you in setting up and getting familiar with your new bicycle.



After you assemble and inspect your bicycle, we recommend seeking professional help from a reputable and certified bicycle mechanic or your dealer to check your bicycle before your first ride.

Before removing the packaging material from your STACYC, remove all items from the box and make sure you have the following:

WHAT'S IN THE BOX:



STACYC 20HDRIVE



36V FAST CHARGER



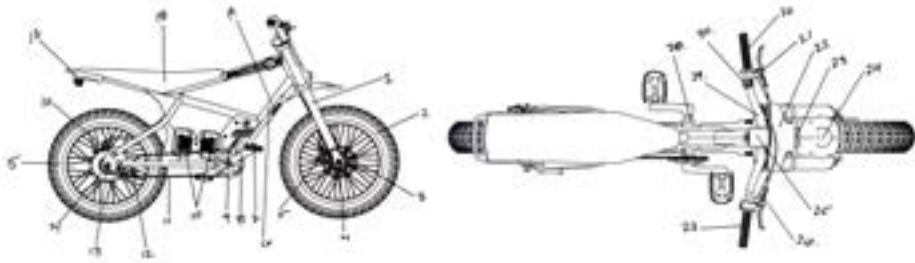
2 - 36V 6Ah BATTERIES



2 - RFID CARDS

If anything is missing or is damaged, contact STACYC immediately for assistance. For a video about how to setup your bicycle, visit our YouTube page: youtube.com/@STACYCstabilitycycle

BIKE ORIENTATION



1. Front Fork: Motorcycle-style aluminum front fork.
2. Front Wheel: Spoked front wheel assembly with pneumatic tire and inner tube.
3. Front Disc Brake Rotor: 180mm diameter brake disc rotor.
4. Front Axle Nuts: Front axle nuts and washers to fasten front wheel to forks.
5. Front Brake Disc Caliper: Hydraulic front brake disc caliper.
6. Frame: Heat treated aluminum frame.
7. Pedal: Aluminum body with traction pins.
8. Crankset: 140mm crank arm length with integrated chainwheel guard.
9. Chainwheel: 36 tooth steel sprocket.
10. Battery: 2x 36Vnom/40Vmax battery packs.
11. Chain: Bicycle chain.
12. Chain Tensioner: Bicycle chain tensioner.
13. Rear Axle Nuts: Rear axle nuts and washers to fasten rear wheel to frame.
14. Rear Hub Drive Motor: 36V electric motor.
15. Rear Wheel: Spoked rear wheel assembly with pneumatic tire and inner tube.
16. Disc Brake Assembly: 180mm diameter brake disc rotor and hydraulic rear brake disc caliper.
17. Rear Grab Handle: Rear grab handle with integrated LED taillight.
18. Seat: Saddle.
19. Fender: Downtube fender.
20. Handlebar Grip: Left side handlebar grip.
21. Brake Lever: Front brake lever.
22. Number Plate: Front number plate
23. Headlight: LED headlight.
24. Fender: Front wheel fender.
25. Computer Display: Full color LED screen display.
26. Brake Lever: Rear brake lever.
27. Throttle: Twist type throttle with right side handlebar grip.
28. Sensor: Bottom bracket mounted speed sensor.
29. Handlebar: Aluminum bicycle handlebar.
30. Computer Remote: Remote computer switch.

SETTING UP YOUR EBIKE

NOTE: This manual is not intended to be an extensive reference book about service, maintenance, and/or repairs.

You can find more information on our website: www.STACYC.com



After you assemble and inspect your bicycle, we recommend seeking professional help from a reputable and certified bicycle mechanic or your dealer to check your bicycle before your first ride.

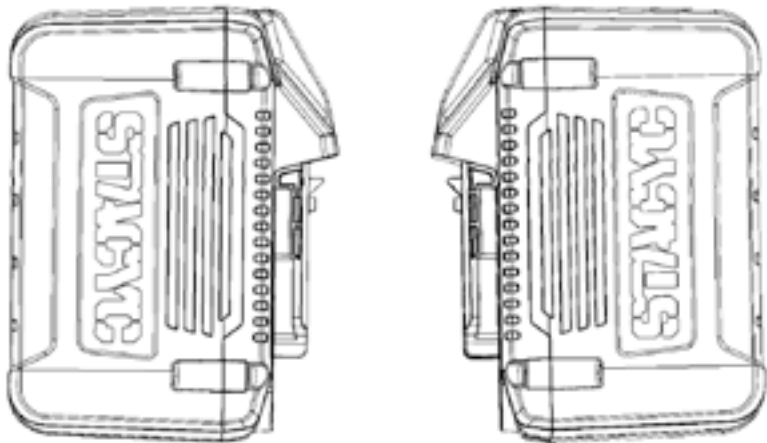
INSTALLING AND REMOVING BATTERY PACKS

⚠ WARNING! ⚠

To prevent serious injury or death:

- Only place battery packs on clean surfaces. Avoid getting dirt, e.g. sand or soil, in the contacts.
- Do not charge or use battery packs if they are damaged. Contact STACYC to order any replacements.

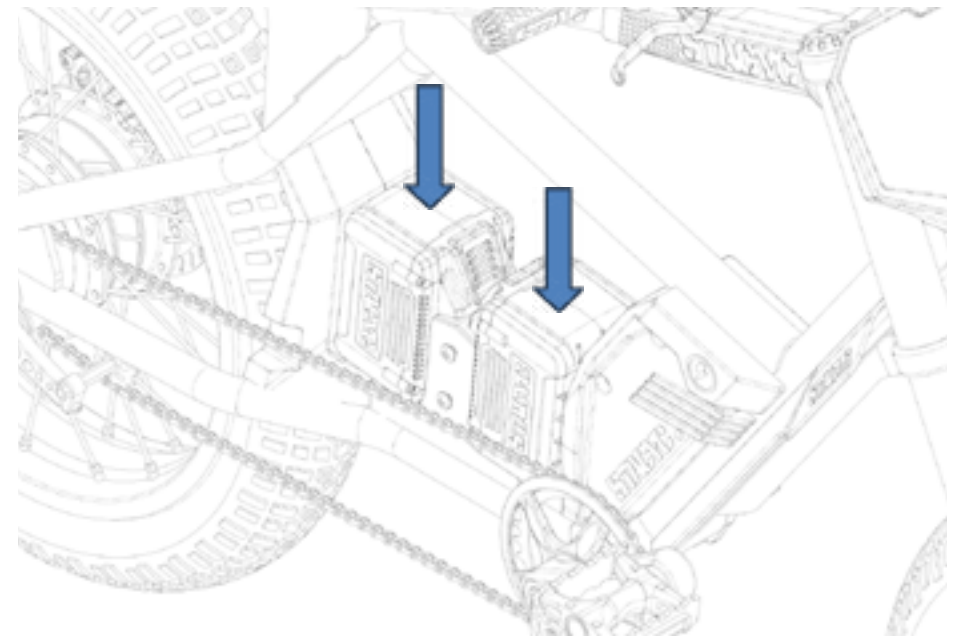
Your bike comes with two 36V lithium-ion batteries.



HOW TO INSTALL THE BATTERY PACKS

To Insert:

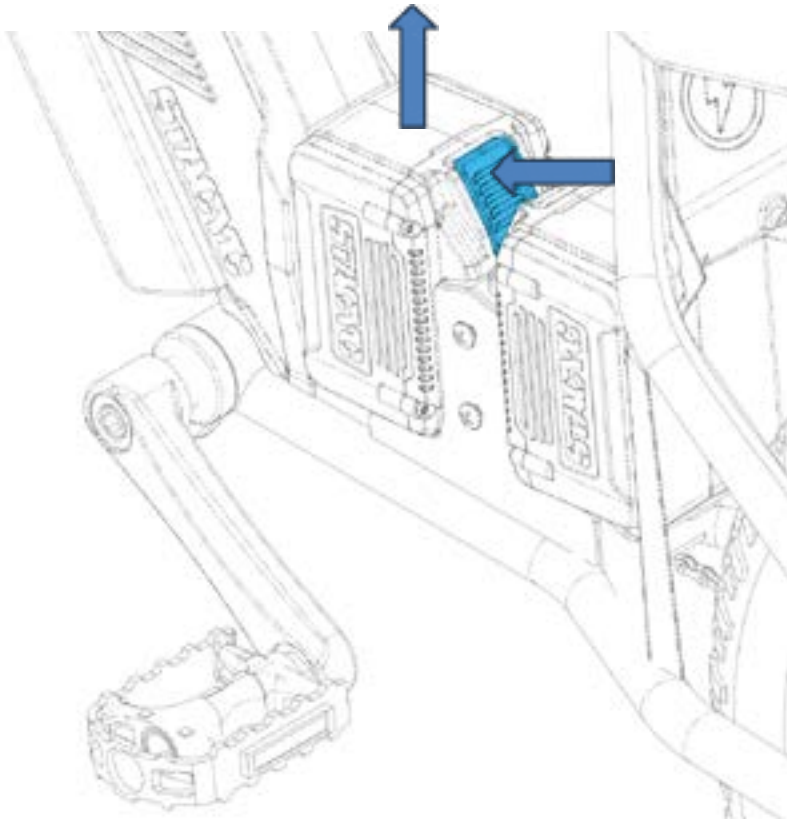
1. Position the battery so the contacts on the battery face upward and towards the back of the bike for the front battery and face upward and towards the front of the bike for the rear battery.
2. Slide each battery into the battery dock and push down until you see the latch lock in place.



REMOVING BATTERY PACKS

To Remove:

1. Press the latch and lift the battery up and out of the battery dock.
2. Do this for each battery.



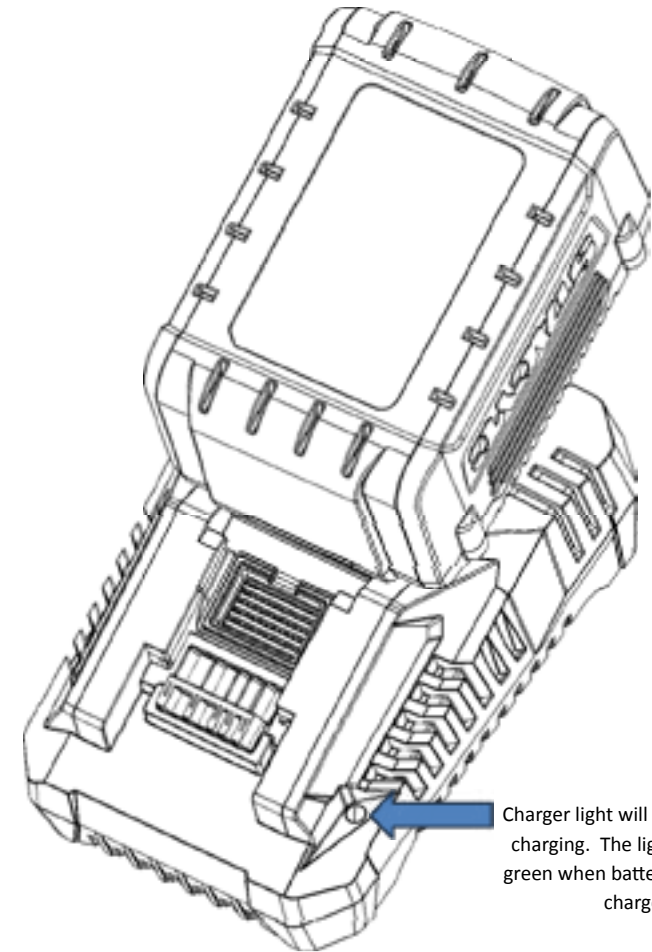
CHARGE BATTERIES BEFORE EACH USE

You should fully charge each battery before your first ride.



Fire and explosion hazards. Never leave your battery pack unattended while charging to prevent serious injury or death.

See "Battery Pack" on page 40 for additional information.



Charger light will flash red while charging. The light turns solid green when battery pack is fully charged.

TIGHTENING TORQUE TABLE

Fork Triple Clamp Bolts	5mm hex wrench	10Nm
Brake Caliper Mounting Bolts	5mm hex wrench	10Nm
Brake Lever Clamp Bolt	4mm hex wrench	5Nm
Crank Bolts	8mm hex wrench	40Nm
Disc Rotor Mounting Bolts	T-25 Torx	5-8Nm
Downtube Fender Mounting Bolts	4mm hex wrench	2-3Nm
Headlight Bracket Mounting Bolt	5mm hex wrench	5-6Nm
Headset Compression Bolt	5mm hex wrench	2-4Nm
Kickstand Mounting Bolts	5mm hex wrench	10Nm
Pedals	15mm end wrench / adjustable wrench	35Nm
Chain Tensioner Mounting Bolt	5mm end wrench / adjustable wrench	8-10Nm
Rear Wheel Axle Nuts	17mm end wrench / adjustable wrench	35Nm
Number Plate Bolt	4mm hex wrench	2-3Nm
Seat Rail Binder	14mm end wrench / adjustable wrench	20Nm
Rear Light Mounting Nuts	8mm end wrench / adjustable wrench	3-4Nm
Spokes	Spoke Wrench 2	180-200KGF
Stem Clamp Bolt	4mm hex wrench	6-7Nm
Stem Pinch Bolts	5mm hex wrench	6-7Nm
Throttle Clamp Bolt	3mm hex wrench	1-2Nm
Rear Saddle Mount Bolts	5mm hex wrench	5-6Nm

ASSEMBLY

Please refer to the 20HDRIVE Quick Start Guide for assembly instructions or visit the Quick Start page online for full video tutorials.

[Download 20HDRIVE Quick Start Guide](#)

[Click to view 20HDRIVE Quick Start page online](#)



FEATURES

⚠ WARNING! ⚠

Never modify your frame or bicycle in any way as this could cause serious injury or death. Do not sand, drill, file, or remove parts from your bicycle. Do not install incompatible components or hardware.

MOTOR

⚠ WARNING! ⚠

To prevent serious injury or death:

- Do not open the drive unit yourself. The drive unit must only be repaired by qualified personnel using only original parts. This will ensure that the safety of the drive unit is maintained. Unauthorized opening of the drive unit will render warranty claims null and void.
- All components fitted to the drive unit and all other components of your STACYC eBike powered pedal assist system (PPAS) (e.g. chainring, chainring sensor, chain, batteries, motor, pedals) must only be replaced with identical components or components that have been specifically approved by STACYC. This should help protect the motor from overloading.
- Always remove the battery packs from your STACYC eBike before beginning work (e.g. inspection, repair, assembly, maintenance, work on the chain, etc.), moving it with a vehicle, or storing it. Battery pack removal should prevent unintentional activation of your STACYC eBike.
- Do not make any modifications to your STACYC eBike or attach any other products that might increase the performance of your STACYC eBike. Doing so will generally reduce the service life of the system and risks damaging the drive unit and the bicycle. You also run the risk of losing the warranty claims on the bicycle you have purchased. By handling the system improperly, you are also endangering your safety and that of other road users, thus running the risk of high personal liability costs and possibly even criminal prosecution in the event of accidents that can be attributed to manipulation of the bicycle.
- Under extreme conditions, such as continuously high loads at low speed when riding up hills or carrying loads, parts of the motor can reach high temperatures.

POWERED PEDAL ASSIST SYSTEM (PPAS)

Your STACYC eBike comes with a single speed crankset/freewheel powered pedal assist system (PPAS). The PPAS gear ratio was designed to provide a comfortable pedaling experience in various terrain conditions even without the powered pedal assistance.

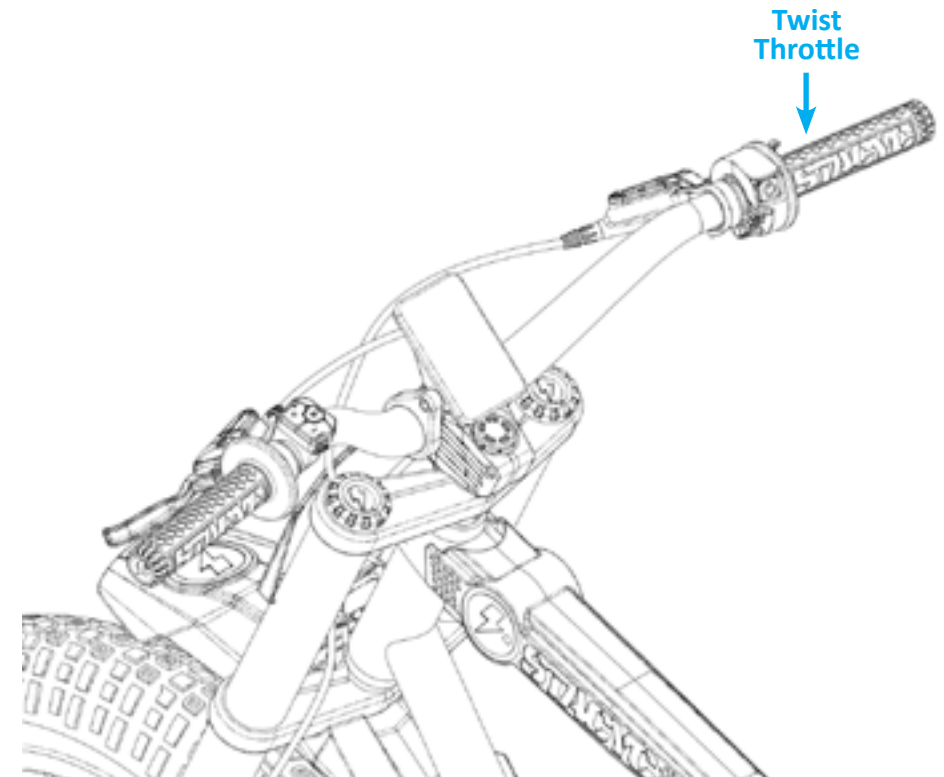
While pedaling, three speed mode options are available that should be chosen based on your riding environment. (ref PG29 for switching speed modes)

THROTTLE

The right side of the handlebar features a grip twist throttle that also powers the motor without pedaling. This is a Class 2 eBike benefit.

To operate:

Turn on the eBike and check which speed mode is set for the Powered Pedal Assist (PPAS) to the appropriate speed mode. Either begin pedaling or twist the throttle to achieve your desired speed and acceleration.



HYDRAULIC DISC BRAKES

Your STACYC eBike is equipped with hydraulic disc brakes.



To prevent serious injury or death:

- ALWAYS apply right brake lever (rear wheels) before and during use of the front brake.
- ALWAYS apply even pressure to both brake levers when slowing down or stopping.

If only the front brake is applied while slowing or stopping quickly, you may be ejected over the handlebars.

Before riding, check to ensure the brake levers do not touch the handlebars when fully applied. If either lever touches the handlebars, call STACYC or your dealer to determine next steps. You will likely need your brakes serviced.

To brake the rear wheel:

Pull right brake lever to activate rear brake.

To brake the front wheel:

Pull left brake lever to activate front brake.



Disc brake rotors will become hot during use and will stay hot for a short period after use. To prevent burns, do not touch the disc rotor right after use.



DO NOT loosen any screw/bolt on the caliper (the bleed screw should only be loosened when changing brake fluid). Loosening screws other than the bleed screw could cause leaking and consequently loss of braking power.



If you notice fluid leaking from any part of the brakes, stop riding at once. Have your brakes serviced at a certified reputable bike shop or your dealer before riding again.

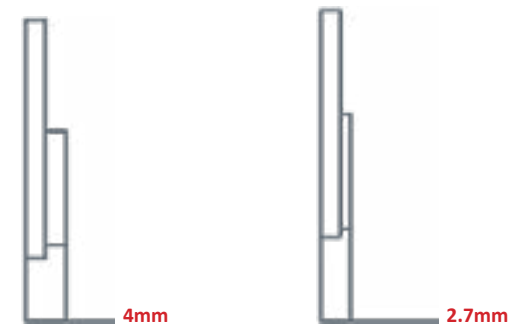
The hydraulic disc brakes on this eBike only uses mineral oil.



Never add or mix with DOT brake fluid or any mineral oil not intended for bicycle hydraulic disc brake use.

When using your new eBike, the brakes will need to be bedded in. This means that braking force on the first 10-30 pulls is not as powerful as subsequent pulls and the bike will take longer to stop. Ride your bike in a safe environment away from other vehicles and stop the bike 10- 30 times before riding normally.

Before riding the bicycle check the thickness of the brake pads. When the wear of the brake pads exceeds 0.8 mm, replacement of the pad is recommended. When the total thickness of the worn brake pad is less than 2.7 mm, the pads must be replaced to ensure safe riding.

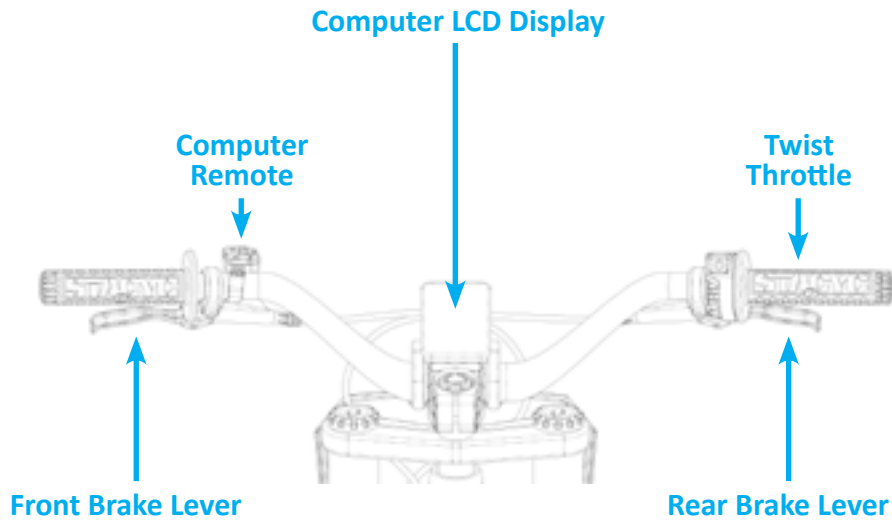


Standard Thickness
(new brake pad)

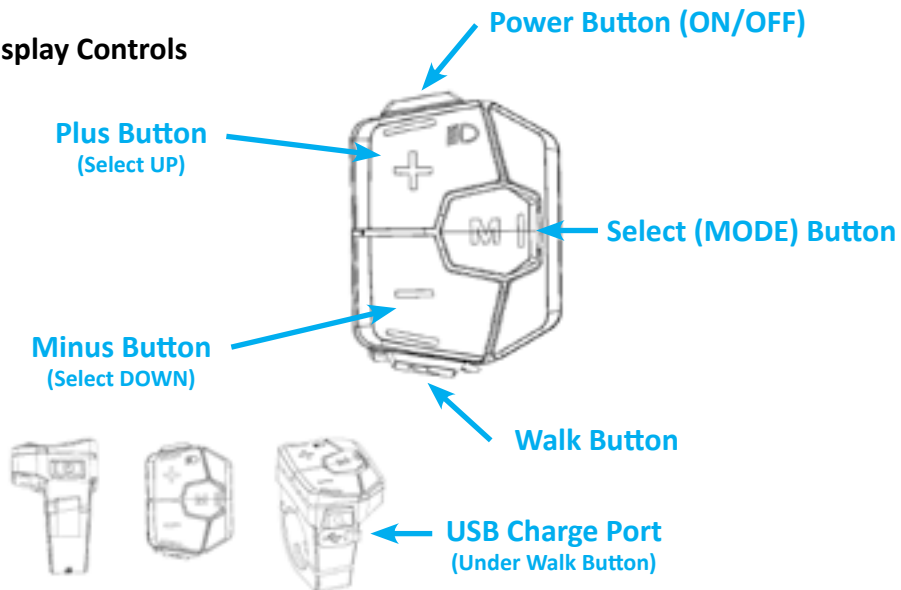
Worn to the minimum
(needs replacing)

COCKPIT SYSTEM

Cockpit Instruments



Display Controls



PEDAL ASSIST OVERVIEW

When does the Powered Pedal Assistance activate?

The Powered Pedal Assist System (PPAS) functions only when you are pedaling. If you choose not to pedal and twist the throttle instead, the PPAS will also activate. The motor output level depends on the PPAS speed mode you have set.

PPAS automatically switches off at the maximum speed set for your STACYC eBike (up to 20 mph in sport mode). When the speed falls below the maximum set speed, PPAS automatically becomes available again.

You can also use your STACYC eBike as a normal bicycle without assistance at any time by switching the computer power button OFF. You can also ride the bike without powered pedal assistance if the batteries are removed. In both cases, the computer display will not be seen.

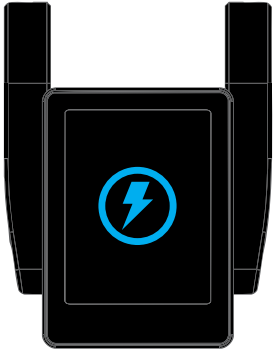
If the bicycle has not been used for five (5) consecutive minutes, the display will automatically shut down the bike. The PPAS and throttle features will no longer work when the display is OFF.

⚠ WARNING! ⚠

To prevent serious injury or death:

- Do not allow yourself to be distracted by the computer display. If you do not concentrate on the traffic around you, you risk being involved in a crash.
- Set the display brightness such that you can adequately see important information like speed or warning symbols. Display brightness that is incorrectly set can result in dangerous situations.
- The electrical components on the bicycle are not waterproof.
- Check the computer and plug. If damage is detected, do not use the computer. A damaged computer or cables or plugs increase the risk of a fire, explosion, and personal injury.
- Do not disassemble the computer. There are no user serviceable parts inside. Incorrect reassembly or damage may result in fire or explosion.

DISPLAY FUNCTIONS



Startup Screen

The STACYC start up screen will display when the bike is turned on by pressing and holding the “Power” button for 2 seconds on the front edge of the remote. After unlocking the computer with either the RFID card or by entering the password (cycle through the numbers with + and – buttons and enter with the M button to advance to the next digit location), communication is established with the bike’s ESC and the computer will enter the basic function state displaying:

- Current Speed (Mph or Kph)
- Speed Mode (1-Boardwalk, 2-Standard, 3-Sport)
- Trip Meter (Miles or Kilometers)
- Odometer (Miles or Kilometers)
- Front Battery Charge State (%)
- Rear Battery Charge State (%)



Boardwalk Mode 1
(Low Speed)



Standard Mode 2
(Med Speed)



Sport Mode 3
(High Speed)

CHANGING SPEED MODES

Your STACYC eBike ships with a maximum speed set at 20 miles per hour (mph). This means it is a Class 2 eBike in states that recognize three classes of eBikes. In most states that only recognize eBikes generally, the 20 mph top speed is legal for use on public roads. Class 2 bikes can be power assisted with either pedal or throttle usage.

You STACYC eBike has three speed modes in addition to a “Walk” mode that achieve different maximum speeds.

SPEED MODES

Modes	Pedal Assist Speed Limit	Throttle Speed Limit
Boardwalk	10 mph	10 mph
Standard	15 mph	15 mph
Sport	20 mph	20 mph
Walk	Not Allowed	3 mph

FRONT AND REAR LIGHTS

Your STACYC eBike comes with integrated front and rear lights.

To turn lights ON: Hold plus (+) button on the handlebar remote for about 2 seconds until the lights turn ON.

To turn lights OFF: Hold plus (+) button on the handlebar remote for about 2 seconds until the lights turn OFF.

Lights ON/OFF



Always turn lights ON for your safety, especially when riding at night or in low visibility situations.

PREPARING TO RIDE

⚠ WARNING! ⚠

To prevent serious injury or death, go through the “Pre-Ride Safety Checklist” on pages 8-9 of this Owner’s Manual before each ride

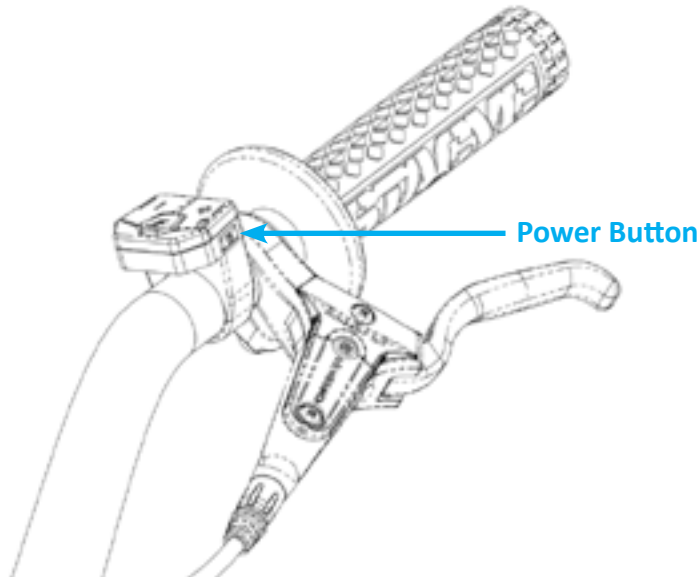
YOUR FIRST RIDE

The acceleration of your STACYC eBike may be faster than anticipated and may feel unusual at first. Before your first ride, you should use the Boardwalk speed mode of the powered pedal assist system (PPAS) and become familiar with the operation of your STACYC eBike by practicing starting, stopping, cornering, and navigating obstacles in a safe environment away from other bicycles, pedestrians, and/or vehicles. You should also pay particular attention to terrain conditions as you may approach obstacles faster than expected.

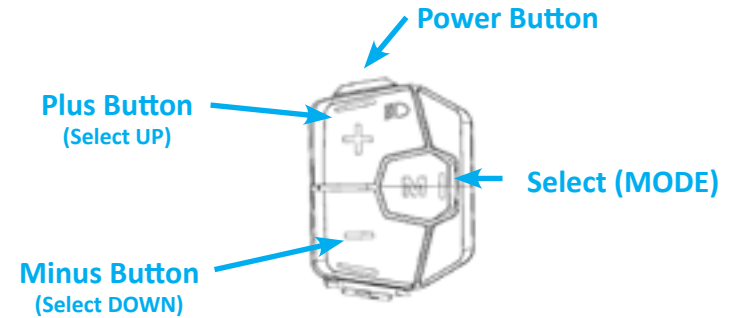
The Powered Pedal Assist System (PPAS) may be activated as soon as you step onto the pedals and the bicycle is in motion. ALWAYS be seated on the bicycle and engage at least one brake before starting to pedal. DO NOT place one foot on a pedal then throw your other leg over the bicycle or your eBike could accelerate unexpectedly. Refer to “Pre-Ride Safety Checklist” on pages 8 – 9 before you go on your first ride.

How to Start Your Ride

1. Hold down the “POWER” button located on the front edge of the left handlebar mounted remote until the computer display comes on. (Approximately two (2) seconds).



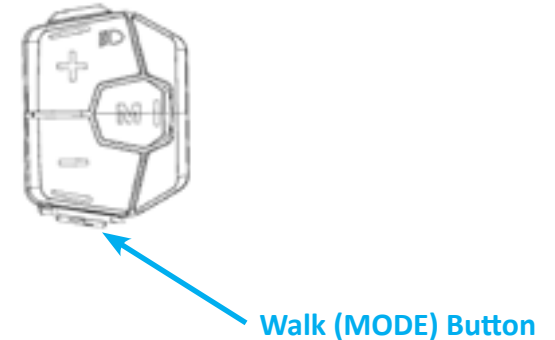
1. Select a Powered Pedal Assist (PPAS) speed mode using the plus (+) and minus (-) buttons. Boardwalk Mode provides a maximum speed of 10MPH. Standard Mode provides a maximum speed of 15MPH and Sport Mode provides a maximum speed of 20MPH.



⚠ WARNING! ⚠

To prevent serious injury or death:

- Exercise extreme caution when using the twist throttle. When at a complete stop with the bicycle turned ON, be careful not to engage the twist throttle or the bicycle could accelerate and cause you to crash.
- Do not engage Walk Mode when riding or sitting on your STACYC eBike. Holding the minus (Walk) button will engage the motor up to a walking speed. Release the (Walk) button to stop walk mode or grab either brake lever to also disengage walk mode.



How to End Your Ride:

When the bicycle is at a complete stop, press and hold the button to turn the computer display OFF. (Approximately two (2) seconds). This ensures the motor will not activate until the display is turned ON again and you are ready to ride.

BATTERY PACKS

The term battery pack(s) refers to an all original STACYC battery pack.

The safety of both our customers and our products is important to us. Our battery packs are made with lithium-ion cells, which have been developed and manufactured in accordance with the latest technology. We comply with or exceed the requirements of all relevant safety standards. When charged, these lithium-ion battery packs contain a high level of energy. If a fault occurs (which may not be detectable from the outside), in very rare cases and under unfavorable conditions, lithium-ion battery packs can catch fire.

Take care when using and charging your battery packs. Failure to follow the guidelines below could result in damage to property and/or serious injury. Contact STACYC immediately if you have any questions regarding battery pack safety. Your STACYC battery pack must not be opened, even for repairs. There is a risk your battery pack could catch fire, e.g. due to a short circuit. This risk increases if a battery pack which has already been opened is reused at a later point in time. Do not attempt to repair a STACYC battery pack in the event of a fault; have it replaced with an original STACYC battery pack.

The battery is protected against deep discharge, overloading, overheating, and short-circuiting by a Battery Management System (BMS).

BATTERY PACK SAFETY



Only use genuine STACYC battery packs designed for your eBike. Using other battery packs can lead to injuries and pose a fire hazard. STACYC accepts no liability or warranty claims if other battery packs are used or the system has been modified to accept other battery packs.

To prevent serious injury or death:

- Do not leave your battery pack unattended while charging.
- Always charge your battery pack in temperatures between 50°F – 77°F (10°C – 25°C).
- For an optimum service life, operate your STACYC battery packs at temperatures between 32° F -104° F (0°C-40°C).
- Always remove the battery pack from the bicycle when not in use and store in a secure location to prevent unauthorized use.
- Do not submerge the battery pack in liquid of any kind.
- Do not attempt to touch the terminals on your battery pack.
- Turn computer display OFF when not in use and before removing battery packs.
- The battery packs should not be excessively difficult to insert or to remove. Do not force the battery packs in or out of their docks.

- Battery pack charging times may increase with battery age and usage.
- If the battery has trouble charging, stop charging and contact STACYC immediately.
- Do not puncture or crush the battery pack. Do not impact the battery pack or modify it in any way. Do not use the battery pack if it shows visible damage as this can increase danger of fire or explosion.
- Protect the battery packs from heat (e.g., temperature >140°F), fire, and immersion in water. A high temperature environment increases danger of fire or explosion.
- Always remove the battery pack before beginning work (e.g. inspection, repair, assembly, maintenance, work on the chain, etc.) on your eBike, moving it via vehicle, or storing it. Unintentional activation of the STACYC eBike poses a risk of injury.
- Do not open the battery packs. There is a risk of short circuiting. Opening a battery pack voids any and all warranty claims.
- When the battery pack is not in use, keep it away from paper clips, coins, keys, nails, screws, or other small metal objects that could make a connection from one terminal to another. A short circuit between the battery terminals may cause burns or a fire. Short circuit damage which occurs in this instance voids any and all warranty claims against STACYC.
- Avoid mechanical loads that can damage the battery packs and cause a potential fire or explosion.
- Only charge the battery packs using a genuine STACYC charger. When using a charger that is not made by STACYC, the risk of fire cannot be excluded.
- Use the battery packs only in conjunction with your STACYC eBike. This is the only way in which you can protect the battery against dangerous overload.
- Use only genuine STACYC battery packs designed for your eBike. Using other battery packs can lead to injuries and pose a fire hazard. STACYC accepts no liability or warranty claims if other battery packs are used or the system has been modified to accept other battery packs.
- Keep the battery packs away from young children.
- Always turn display OFF before removing the battery pack
- Do not place the battery packs near flammable materials. Ensure the battery packs are completely dry and placed on a fireproof surface before charging. There is a risk of fire due to the heat generated during charging.
- Your STACYC eBike battery pack must not be left unattended while charging.
- Battery packs must not be subjected to mechanical shock. If the Battery packs are dropped or struck with another object, the packs may be damaged.

CHARGING THE BATTERY PACKS

WARNING!

To prevent serious injury or death:

- Do not leave your battery packs unattended while charging.
- Do not connect the battery pack to the charger until it has reached an allowable charging temperature (within 10°F of room temperature).
- Do not charge the battery pack with chargers other than a genuine STACYC charger.
- Only charge the battery indoors and in dry spaces which are not excessively hot or cold (within 10°F of room temperature).
- Ensure there are no flammable items, dirt, or debris nearby when using the charger.
- The battery pack must not be left on the charger longer than eight (8) hours after the pack is fully charged.
- The light on the charger will be flashing red when the battery is charging, and will turn green when charging has finished.
- Avoid leaving the charger plugged in when the battery is fully charged.
- Do not charge the battery if you notice the battery is damaged, excessively hot, smells, or is discolored.
- Charging each battery pack should take approximately 45 mins to one hour if the battery pack is mostly empty.
- Store the battery packs indoors in a dry space, away from heat or flame sources and out of direct sunlight.
- The charger may get warm when charging and it is normal to hear an internal fan while operating.
- To reduce risk of injury, charge only battery packs of your STACYC eBike. Charging other battery packs may cause charger damage, or burst, causing personal injury and damage.
- Only charge genuine STACYC lithium-ion battery packs. The battery pack voltage must match the battery pack charging voltage of the charger. Otherwise, there is risk of fire and explosion.
-
- Do not expose the charger to rain or wet conditions. If water enters a charger, there is a risk of electric shock.
- Only use the genuine STACYC battery charger supplied with your eBike. Bypassing the battery charger or the use of a non-approved or counterfeit battery charger can lead to death or serious injury.
- Keep battery charger clean. Contamination can lead to the risk of an electric shock. Clean only with the use of a damp cloth (mild soap/water) while the charger is disconnected to wall power.
- Always check the charger, cable, and plug before use. Stop using the charger if you discover any damage. Do not open the charger. Damaged chargers, cables, and plugs increase the risk of electrical shock.
- Do not operate the charger on an easily ignited surface (e.g. paper, textiles, etc.) or in a flammable environment. There is a risk of fire due to the charger heating up during operation.

- Keep the battery charger away from children. This will ensure that children do not play with the charger.
- Persons who are not capable of safely operating the charger because of their physical, sensory, or mental limitations, or because of their lack of experience or knowledge, may only use this charger under supervision or after having been instructed by a responsible person. Otherwise, there is a risk of operating errors and injuries.
- Only grab the charger cord by the plug and not the cord itself when plugging and unplugging from the wall socket.
- Note the household voltage! The voltage of the power supply must correspond to the specifications given on the battery charger nameplate.
- Damage to your eBike's electrical system caused in any manner, including water intrusion, can lead to battery failure, electrical system malfunction, or electrical fire and consequent property damage, injury, or death. Follow all recommendations to minimize chance of water damage. If you have any questions, contact STACYC for more information.

CAUTION

To reduce the risk of fire, connect only to a circuit provided with 10 amperes maximum branch circuit overcurrent protection in accordance with the National Electric Code, ANSI/NFPA 70. Never use extension cords with your STACYC charger provided with the purchase of your eBike, after sales service, or warranty charging devices.

WARNING!

Using damaged battery packs or charger can create a fire hazard. Stop using your battery packs and charger and contact STACYC immediately if any of the following occur:

1. Your charger's power cord or charge port area, has broken insulation, or any other signs of damage.
2. Your battery packs or charger is physically damaged, non-functional, or performing abnormally
3. Your battery packs or charger experienced a significant impact from a fall or crash, with or without obvious signs of damage, or
4. Your charger becomes too hot to touch, makes any abnormal sounds, gives off an odor, or shows other signs of overheating. Store any damaged battery packs or charger in a safe location and, as soon as possible, recycle or otherwise dispose of it according to local rules. Contact STACYC if you have any questions or to purchase replacement battery packs or charger.

BATTERY CHARGING INFORMATION

- **Check the charger, charger cable, and battery pack for damage before** beginning each charge.
- **Always charge in a safe area** that is cool*, dry, indoors, away from direct sunlight, dirt, or debris, in a clear area away from potential to trip on the charging cord, or for damage to occur to the battery pack, or charger while charging.
- *Always charge your battery in temperatures between 50 °F – 77 °F (10 °C – 25 °C).
- **The battery packs must be charged off the bike.** To remove the battery packs see instructions “Installing and Uninstalling Battery Pack” on pages 20 and 21.
- **The battery packs should be recharged after each use**, so they are ready to go the full range per charge next ride. There is no memory effect, so charging the battery packs after short rides will not cause damage.
- **Charging the battery packs normally takes approximately 45 mins to one hour.** In rare cases, it may take longer to allow each battery management system to balance their respective battery packs, particularly when the packs are new or after long periods of storage.
- **The charger indicator light** will show flashing red while the battery pack charges. When charging is complete, the charging indicator light will turn solid green.
- **Remove the battery pack from the charger within eight hours of the green light indicating a complete charge.** The charger is designed to automatically stop charging when the battery is full, but unnecessary wear of the charging components could occur if the charger is left attached to the battery and a power source for longer than 8 hours.
- **Never charge a battery for more than 8 hours at a time.**
- **Do not leave a charging battery pack unattended.**

CHARGER MANUFACTURER

- Charger made by: Techway Industrial Co., Ltd. Taichung, Taiwan
- Charger Model: C1151A8

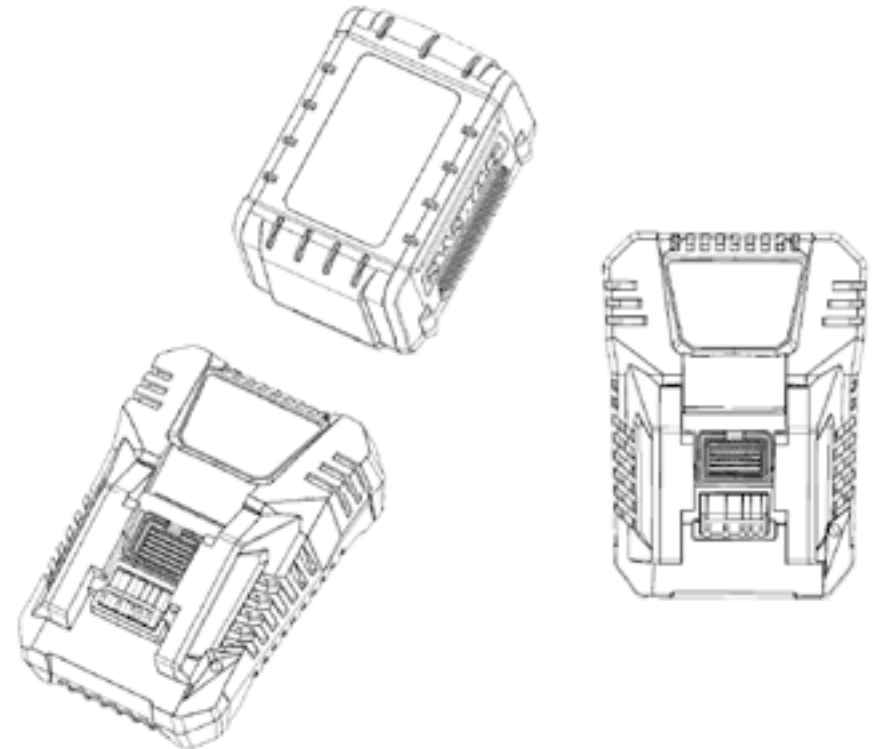
To Charge:

1. Slide the battery pack by aligning the pack and charger interfaces.
2. Plug the charger power cable into an electrical main wall socket.

Note: Use only the supplied input connection: standard AC power cord when connecting to the household electrical supply.

Note: The charging process is only possible when the temperature of your STACYC eBike battery is within the permitted charging temperature range.

After charging is complete and the light on the charger is green, disconnect the cable from the battery port and power cord from wall socket. If you have charged the battery in the bicycle frame, carefully insert the rubber plug after charging, so that no dirt or water can enter the battery port.



MOVING AND STORAGE INSTRUCTIONS

Charging Battery Packs Before and During Storage

When the battery packs will not be used for weeks or months, remove them from the eBike and store the battery packs at about 60% charge as indicated by the battery level gauge in the computer display. At about 60% charge, the battery will degrade less, compared to higher charge levels.

Every 2-3 months check the battery pack charge levels and recharge to 60%, if necessary.

Note: If the battery packs are stored with no charge for an extended period of time, they may be damaged despite the low self-discharge and may reduce the battery pack capacities.

For optimum service life for your battery packs, charge the battery packs to 100% a few hours before you plan to ride.



DO NOT charge battery packs unattended or leave battery packs connected to charger overnight

Leaving a battery pack connected to the charger for an extended period of time is not recommended.

As the battery pack ages, capacity will diminish, and the battery pack will eventually need to be replaced. A significantly reduced operating period after charging indicates that the battery pack is worn out and must be replaced. You may purchase replacement battery packs from STACYC.

STORAGE CONDITIONS

If possible, store the battery packs in a dry, well-ventilated place. Protect it from moisture and water.

Always store your STACYC eBike battery packs in a location that:

- Is in a room with a smoke alarm;
- Is away from combustible or easily flammable objects; and
- Is away from heat sources.

For an optimum service life, operate your STACYC eBike battery packs at temperatures between **32° F -104° F** (0°C-40°C).

Make sure the maximum operating temperature is not exceeded. Do not leave the battery packs in your car during the summer, for example, and store it away from direct sunlight.

NOTE: Leaving the battery packs installed on the bicycle for long-term storage is not recommended.



Failure to follow Battery Charging & Storage Best Practices could result in unnecessary wear to the charging components, battery packs, and or charger, and could lead to underperforming or non-functional battery packs and replacements will not be covered under warranty.

TROUBLESHOOTING THE BATTERY PACKS

If you have any questions at all regarding the basic troubleshooting below, reach out to STACYC customer support by email at support@STACYC.com, or call (325) 766-7079.

Issue	Most Common Solutions
Charging indicator lights do not illuminate.	<ol style="list-style-type: none">1. Check that the cord is connected to the charger.2. Check power availability at the main plug location.3. If the battery pack does not charge, remove from charger and contact STACYC. Do not attempt to repair cord or charger.
Charging indicator light is always red.	Battery pack may be defective. Contact STACYC customer support for assistance.

BATTERY PACK RECYCLING

When battery packs are no longer usable, dispose of your battery packs according to state and federal regulations. State regulations regarding lithium-ion battery pack disposal vary so it is important you find out and follow the rules in your state, province or municipality.

Lithium-ion battery packs cannot be disposed in standard garbage bins.

MOVING AND STORING YOUR STACYC EBIKE

Please observe storage temperatures for your STACYC eBike. Protect the Drive Unit, Cockpit System, and Battery Packs against extreme temperatures (e.g. from intense sunlight without adequate ventilation). Extreme temperatures can cause the components (especially the battery packs) to be damaged.



To prevent serious injury or death:

- Always remove the battery packs before moving your STACYC eBike on a bicycle rack mounted on your vehicle.
- Always use a bicycle rack that is compatible with your STACYC eBike. Check your bicycle rack manual to be sure your rack has sufficient capacity. Overloading a bicycle rack could cause the rack to fail and your eBike to be damaged.
- Never attempt to use a roof-mounted bicycle rack. ONLY use hitch-mounted racks.
- Always use proper lifting techniques when lifting your STACYC eBike. Electric bicycles are generally heavier than regular bicycles.

DISPOSAL OF YOUR STACYC EBIKE

When your STACYC eBike is no longer usable, dispose of your eBike according to state and federal regulations. The motor, computer display, battery, speed sensor, accessories, and packaging should be disposed of in accordance with these regulations. State regulations regarding electronics disposal vary, so it is important you abide to the rules in your state, province or municipality.

NOTE: Do not dispose of eBikes and their components with household waste.

TROUBLESHOOTING

If you have any questions at all regarding the basic troubleshooting below, check our website at www.STACYC.com or reach out to STACYC customer support by email at support@STACYC.com, or call (325) 766-7079.

Issue	Most Common Solutions
Bicycle will not turn ON.	<ol style="list-style-type: none"> 1. Charge the battery packs until the light on the charger turns from flashing red to solid green. This may take up to 1 hour per battery pack. 2. Ensure that both battery packs are inserted in the docks securely, then press and hold the button to turn ON. 3. Follow the cable coming from the computer display down to the quick plug. You may need to unravel some of the plastic wrapping to access it. With a quick pull (do not twist), unplug the quick plug, inspect both sides of the plug, and reconnect by lining up the arrows on both ends. After checking the quick plug, press and hold the button on the display control pad to turn on.
Pedal assist or throttle do not work.	<ol style="list-style-type: none"> 1. Check there is no error code displaying on the computer display. 2. To test if PPAS is working, do not operate throttle. 3. To test if the throttle is working, do not pedal. 4. Check all quick plugs

COMPUTER ERROR CODES

The components of your STACYC eBike are monitored on startup and during operation automatically. If a fault is detected, the corresponding error code will appear on the display.

ERROR CODE	DESCRIPTION	TROUBLESHOOTING
1	Abnormal current or MOSFET damage error	Check motor controller connections. Replace motor controller if necessary.
2	Throttle connection interrupted at power on self-test	Throttle cable is disconnected or damaged. Check cable and connections. Replace throttle if necessary.
3	Motor power/phase communication lost	Motor power cable is loose, detached or damaged. Check cable and connections from motor controller to motor. Replace motor controller or rear wheel motor if necessary.
4	Motor hall signal error	Disconnect and reconnect motor controller to motor cable. Retest. If error persists, replace rear wheel motor.
5	Brake cut-off sensor error	Brake/motor cutoff cable error. Check both brake lever sensor cables for connection and/or damage. Replace brake lever(s) if necessary.
6	Battery under-voltage error	Battery voltage is insufficient to power bike. Charge batteries before attempting to ride bike.
7	Motor stall protection error	Motor stall protection circuit fault. Replace rear wheel motor.
8	UART communication signal failure	Transmit and/or Receive function between T200 computer and motor controller is lost. Check cables for damage or connection looseness. Replace component(s) with cable damage.
9	Pedal assist sensor signal error	Pedal sensor or cable damaged. Check sensor and/or cable. Replace sensor if necessary.
10	Display/ESC communication data error	T200 Computer to motor controller error. Check motor controller for connection or damage. Replace motor controller if necessary.
	Speed sensor error	Pedal assist does not function, and no other error code is present. Replace speed sensor if necessary.

USER MAINTENANCE INSTRUCTIONS

You should have your bicycle maintained at regular service intervals by your dealer or at your local bicycle shop.



To prevent serious injury or death:

- **NEVER open any of the components, including the battery packs, computer display, motor, or PPAS sensor.** Service should only be performed by your dealer or a bicycle repair shop.
- **Always remove the battery packs before performing any bicycle inspection, maintenance, or repair.**
- **If you suspect that something is loose, do not ride your bicycle.** All nuts, bolts, and screws require the proper tightening force. Too little force and the fastener may not hold securely. Too much force and the fastener can strip threads, stretch, deform, or break. Either way, incorrect tightening force can result in component failure, which can cause you to lose control and crash. Take your bicycle to your dealer or a bicycle repair shop for service.
- **Do not paint any components of your STACYC eBike as they may cause premature failure of the component.**
- **Do not submerge your STACYC eBike or its components in water, ride in extreme weather, or use a pressure washer to clean.**

CARING FOR YOUR EBIKE

Always observe the operating and storage temperatures of your STACYC eBike and its components. Protect the motor, computer display, and battery packs against extreme temperatures (e.g. from intense sunlight without adequate ventilation). Extreme temperatures can damage components (especially the battery packs). Please have your STACYC eBike serviced at least once a year.

TUNE-UPS

100 Mile Tune-Up

After 100 miles, or 5 full battery pack charge cycles, have the following services performed at your dealer or a bicycle shop:

- Check that your brakes are functioning correctly and adjust if necessary.
- All hardware should be adjusted to the specified “Tightening Torque” on page 20. If any hardware is damaged, it should be replaced by a qualified mechanic.

Monthly (or about every 250-500 miles)

- Inflate tires to pressure within recommended range printed on tire sidewalls.
- Lubricate chain.
- Check that all hardware is tightened to the torque specifications listed in the “Tightening Torque” on page 23 section of this manual.
- Check your brake pads for signs of wear. Replace if necessary.
- Clean the bicycle with low residue cleaner and dry completely. Lubricate after cleaning where necessary.
- Check spoke tension and adjust if necessary. See “Tightening Torque” on page 20.

Quarterly (or about every 750-1500 miles)

- Check all items on the monthly service list above.
- Check tire tread for excessive wear. Replace if necessary.
- Check electrical connectors and cable housings are secured away from moving parts and are free from damage. Replace if necessary.



Do not tamper with your bicycle systems. Tampering is defined as removing or replacing any original equipment or modifying your bicycle in any way that may change its design and/or operation. Such changes may seriously impair the handling, stability, and other aspects of the bicycle, making it unsafe to ride.

Tampering will void your warranty and render your bicycle noncompliant with the applicable laws and regulations. STACYC is not responsible for any direct, incidental, or consequential damages. This includes, without limitation, damages for personal injury, property damage or economic losses due to tampering.

To ensure safety, quality, and reliability, use only original STACYC parts or STACYC authorized replacements for repair and replacement.

CLEANING

Clean your STACYC eBike carefully with a soft, damp cloth (using only mild soap and water). Rinse with water



Do not submerge your STACYC eBike or its components in water, or use a pressure washer to clean.

LIMITED WARRANTY

STACYC WARRANTS TO THE ORIGINAL REGISTERED PURCHASER that this product to be free from material and manufacturing defects from date of purchase as described below.

- **Frame and Fork – Five years.**
- **Non-electrical systems components – One year.**
- **Electric system components, including battery and charger – 90 days.**
- **Normal wear and tear items – 30 days. (grips, bar plugs, saddle, footrest, brake cable/housing, brake lining, paint/decals, tires, inner tubes. This Limited Warranty will be void if the product is not used in accordance with the owner’s manual or:**
- **damaged in an accident, crash or loss of control incident;**
- **used in a manner other than for recreation;**
- **poorly or incorrectly maintained;**
- **used in a manner in which this product was not specifically designed;**
- **failure to follow owner’s manual instructions or warnings;**
- **electronics or battery exposed to water;**
- **modified in any way;**
- **damage by unauthorized service or parts;**
- **used for commercial purposes**

This Limited Warranty does not cover any damage, failure or loss caused by improper assembly maintenance, or storage. The manufacturer is not liable for incidental or consequential loss or damage due directly or indirectly to the use or misuse of this product. This Limited Warranty is valid only for the original purchaser and is non-transferable.

DISCLAIMER OF CONSEQUENTIAL AND INCIDENTAL DAMAGES: THE ORIGINAL REGISTERED PURCHASER OF THIS BIKE, SUBSEQUENT OWNERS AND ALL OTHER INTENDED AND UNINTENDED USERS OF THIS BIKE, SHALL NOT BE ENTITLED TO RECOVER FROM STACYC ANY CONSEQUENTIAL OR INCIDENTAL DAMAGES. THERE IS NO WARRANTY OF MERCHANTABILITY OR FITNESS FOR A PARTICULAR PURPOSE

The warranty is non-transferable and only applies to the original owner. This warranty gives you specific rights and purchasers may also have other rights, which may vary from state to state. Damage caused by failing to follow instructions in this manual, Force Majeure, accident, misuse, neglect, abuse, commercial use, alterations, modification, improper assembly, installation of parts or accessories not originally intended or compatible with the STACYC eBike as sold, operator error, water damage, extreme riding, stunt riding, or improper follow-up maintenance is not covered under this warranty.

Parts covered by the warranty: frame, forks, stem, handlebars, headset, seat post, saddle, brakes (excluding brake pads), lights, bottom bracket, crank set, pedals, rims, wheel hub, freewheel, motor, throttle, controller, wiring harness, computer display (excluding damage due to water), kickstand, reflectors, and hardware. The battery warranty does not include damage from power surges, use of third party battery chargers, improper maintenance or other such misuse, normal wear, or water damage (including rust).

Stolen bikes or battery packs are not covered under warranty.

Necessary precautions must be taken to ensure the bike and battery packs are not exposed to severe weather conditions. Exposure to very wet, hot, or cold conditions may void the warranty.

STACYC will replace any parts deemed to have been damaged during shipping. Shipping damage must be reported to STACYC within 14 days of shipment arrival. This applies to all products, including bikes and battery packs.

You will NOT be refunded as compensation for your time or efforts replacing damaged parts.

Replacement parts will not be sent until photographic evidence has been provided to STACYC. STACYC may request additional documentation (such as video) to assist with accurately diagnosing the problem and processing the warranty claim.

Items including the front chainring, rear freewheel, chain tensioner, chain, tires, wheels, rims, tubes, brake rotors, brake pads, cables and housings, grips, and spokes are considered wear items. These items wear down with normal use and are not covered under warranty. You are responsible for replacing and maintaining these wear items.

Any unauthorized alterations or repairs are not covered and may void this warranty. For warranty services, please contact STACYC online support by email at support@STACYC.com. Bikes or parts returned without proper documentation may result in delayed service or denied warranty coverage. Warranty return shipping costs along with duties and taxes are the responsibility of the claimant. All unauthorized returns will be refused.

Note: that your insurance policies may not provide coverage for accidents involving STACYC eBikes. To determine if coverage is provided, you should contact your insurance company or agent. Damage as a result of an accident is not covered under this warranty, and STACYC is not responsible for repair or replacement of damaged bikes or parts.

This warranty gives the original registered purchaser specific legal rights and you may have other rights, which vary from state to state.

Bike Performance Disclaimer

The bike's range and top speed are estimates (not guarantees) of expected performance. Performance will vary with rider weight, cargo weight, rider/cargo shape (both contribute to drag), terrain, tire pressure, brake adjustment, PPAS usage, pedal power, battery pack charge levels, ambient temperature, and wind conditions.

Under certain conditions it is possible to get ranges and top speeds that are different from any stated estimates.

Liability Disclaimer

Riding any kind of bicycle comes with inherent risks and dangers that cannot be predicted or avoided. These dangers could result in a serious accident, injury, or death of the rider. It is the sole responsibility of the rider to become properly educated and prepared to ride safely. Once in possession of the bike, STACYC strongly encourages and recommends that all customers have a STACYC dealer or a certified and reputable bicycle mechanic complete a full inspection of each component on the bicycle to ensure it is safe for operation. STACYC makes no claims or guarantees that the brakes, battery, frame, motor, motor controller, computer display, electrical cables, cable housings, fasteners, grips, fork, stem, headset, saddle, handlebar stem clamp, wheel hubs, handlebars, spokes, rims, tires, tubes, freewheel, crankset, chain, throttle, kickstand, lights, reflectors, hardware, bottom bracket, or any other part or accessory, will be properly secured and adjusted upon arrival. Before every ride, fully inspect your bicycle to ensure everything is secured and adjusted properly.

Under no circumstances is STACYC responsible for any damage resulting from damaged, defective, or improperly secured parts. This includes, but is not limited to, damage to personal property, personal injury, or death.

FCC

This device complies with 47 CFR part 15 of the FCC regulations. Operation is subject to the following two conditions:

1. This device may not cause harmful interference, and
2. This device must accept any interference received, including interference that may cause undesired operation

Please note that changes or modifications not expressly approved by the party responsible for compliance could void the user's authority to operate the equipment. This equipment has been tested and found to comply with the limits for a Class B digital device, pursuant to 47 CFR part 15 of the FCC regulations.

These limits are designed to provide reasonable protection against harmful interference in a residential installation. This equipment generates, uses and can radiate radio frequency energy and, if not installed and used in accordance with the instructions, may cause harmful interference to radio communications. However, there is no guarantee that interference will not occur in a particular installation. If this equipment does cause harmful interference to radio or television reception, which can be determined by turning the equipment off and on, the user is encouraged to try to correct the interference by one or more of the following measures:

- Reorient or relocate the receiving antenna.
- Increase the separation between the equipment and receiver.
- Connect the equipment into an outlet on a circuit different from that to which the receiver is connected.
- Consult the dealer or an experienced radio/TV technician for help.

This equipment complies with radio frequency exposure limits set forth by the FCC for an uncontrolled environment.

This equipment should be installed and operated with a minimum distance of 5 mm between the device and the user or bystanders.

This device must not be co-located or operating in conjunction with any other antenna or transmitter.



WARNING - When using this product, basic precautions should always be followed, including the following:

1. Read the owner's manual completely before using the eBike.
2. To reduce the risk of injury, close supervision is necessary when the product is used near children.
3. Do not put fingers or hands into the product.
4. Do not use this product if there is visible damage or motor power cable is frayed, has broke insulation, or any other signs of damage

Reminder: Always ensure riders are wearing a helmet and proper footwear.

For replacement parts and accessories, you should always use STACYC approved parts, as they have been specially designed for your bicycle and manufactured to meet STACYC's demanding standards.

This manual should be considered a permanent part of your eBike and should remain with the bicycle when it is sold.

If you need any assistance, please do not hesitate to reach out to us.

CONTACT INFORMATION

Email: support@STACYC.com

Phone: (325)766-7079 (9-5 Central, M-F)

Website: www.STACYC.com

Live Chat: Agents available 9-5 Central, M-F



Scan the QR code to find the latest version of your manual.

Or go to: www.STACYC.com/pages/support-manuals



For additional information, please visit:

www.STACYC.com