

ASSEMBLY

Overview

- Remove packaging materials from snow blower.
- Rotate handle into the upright position. Refer to Handle Assembly.
- Install the chute. Refer to Chute Assembly Options.
- Complete snow blower assembly according to model and equipment. Refer to Set-Up.
- If necessary make adjustments to ensure proper snow blower operation. Refer to Adjustments.
- Add fuel and oil. Refer to the Engine Operator's Manual shipped with snow blower.

Tools Required

- Adjustable Wrench or Socket Set
- Needle Nose Pliers

Handle Assembly

1. Cut cable ties securing chute control rod or upper handle to the lower handle (if applicable), set aside the chute control rod (if applicable) and remove the wrap around the handles (if applicable).

NOTE: Do not cut the cable tie securing the control cables to the engine, if equipped.

NOTE: On models with Overhead Chute Control (with Flex Shaft), Four-Way Chute Control, and Electric Chute Control cut cable ties securing flex shaft to the lower handle and set the flex shaft aside. Remove rubber bands securing cables to carriage bolts and cut cable tie securing shift rod to lower handle. Refer to Figure 5 to help identify the control styles.

2. Loosen the top two nuts (a) securing the upper and lower handle and remove the two carriage bolts (b) from the upper handle and set aside as shown in Figure 1.

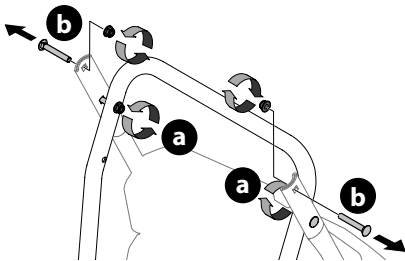


Figure 1

3. Place shift lever in Forward-6 position or fastest forward speed (if equipped).
4. Observe lower rear area of equipment to be sure both cables (if equipped) are aligned and seated properly in roller guides (Figure 2).

NOTE: On select models, chute-pitch control cables will be routed under the engine on the left side and will not use roller guides.

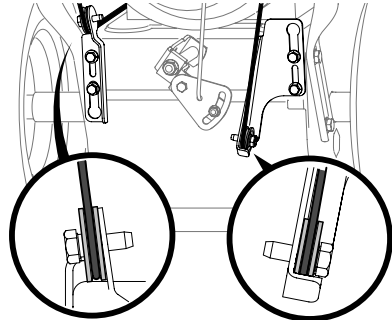


Figure 2

5. Pivot handle upward and align the lower handle (Figure 3). Remove and discard any rubber bands, if present. They are for packaging purposes only.

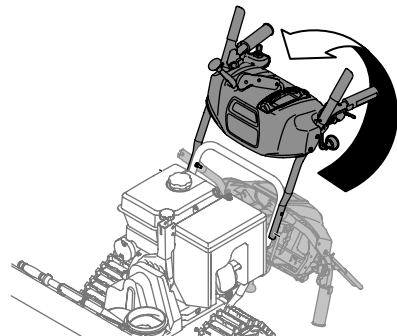


Figure 3

NOTE: On select models with steel rod speed selectors, you may need to lower shift rod to the side slightly to maneuver handle panel over it when pivoting handle upward.

ASSEMBLY

6. Attach the two carriage bolts (b) and nuts (a) removed in Step 2.
2. Finish securing the handle by tightening the top two nuts (c) loosened in Step 2. See Figure 4.

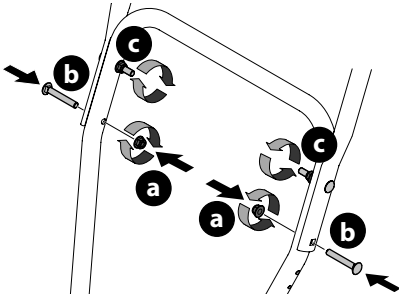
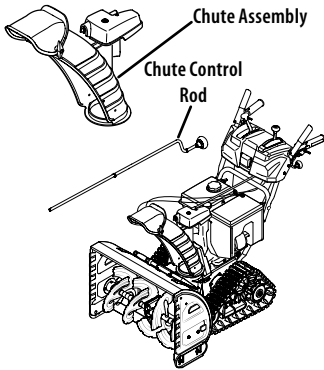


Figure 4

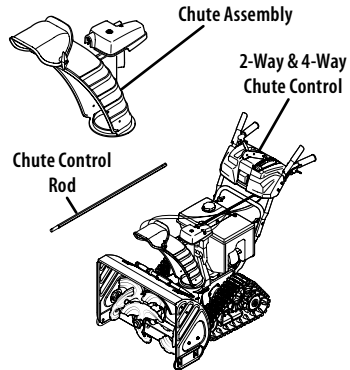
● STOP

Refer to Figure 5 below to identify your "Chute Control Style" and continue to the "Assembly" instructions for your specific style on pages 8-13.

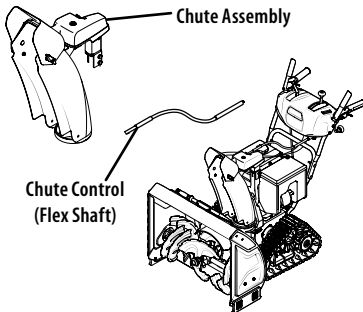
Chute Control Styles



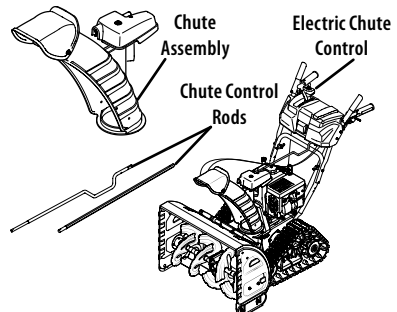
Overhead Chute Rotation Control on page 8



Overhead Chute Rotation Control w/ 2-Way Pitch or 4-Way Pitch & Rotation Control on page 9



Overhead Chute Control (Flex Shaft) w/ Steel Chute & 2-Way Pitch Control on page 10



Overhead Chute Rotation Control w/ 4-Way Electric Pitch & Rotation Control on page 11

Figure 5

ASSEMBLY

Overhead Chute Rotation Control

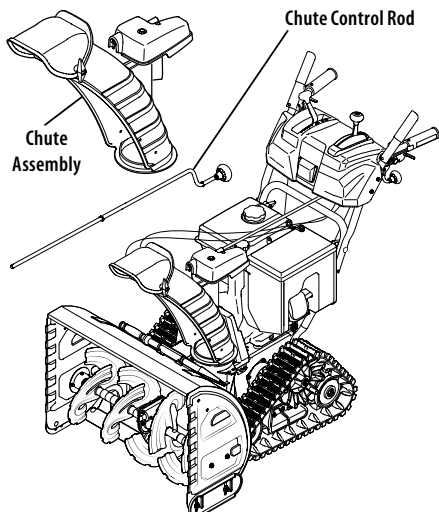


Figure 6

1. Remove wing nut (a) and hex screw (b) from chute control head and clevis pin (c) and bow-tie cotter pin (d) from chute support bracket. Position chute assembly (forward-facing) over chute base and chute support bracket (Figure 7).

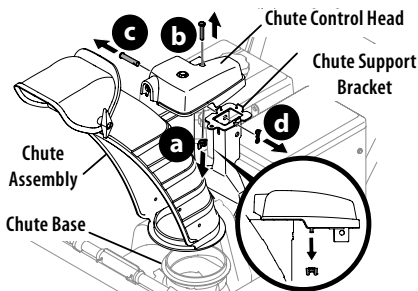


Figure 7

2. Secure chute control head to chute support bracket with clevis pin (c) and bow-tie cotter pin (d) removed in Step 1 (Figure 8).

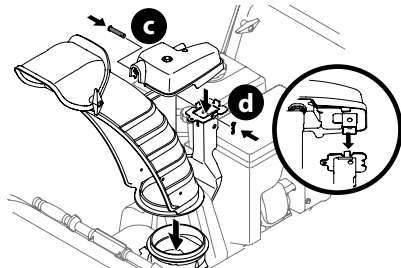


Figure 8

3. Finish securing chute control head to chute support bracket with wing nut (a) and hex screw (b) removed in Step 1 (Figure 9).

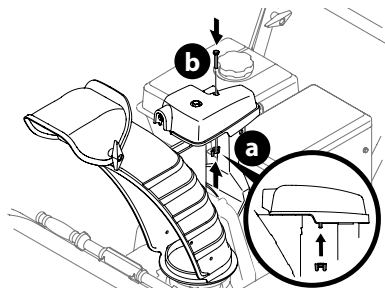


Figure 9

4. Insert chute control rod into the support bracket on rear of the dash panel (Figure 10).

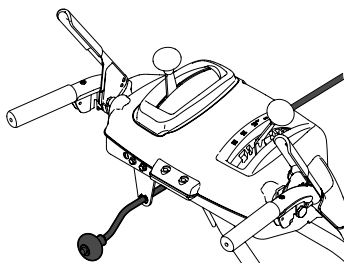


Figure 10

5. Remove hairpin clip (e) from rear of chute control head (Figure 11).

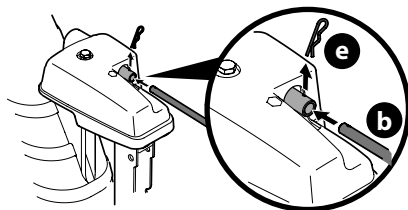


Figure 11

6. Insert chute control rod (b) into rear of chute control head (Figure 11) and secure with hairpin clip (e) removed in Step 5.

● STOP

Continue to Set-Up (page 13).

ASSEMBLY

Overhead Chute Rotation Control w/ 2-Way Pitch or 4-Way Pitch & Rotation Control

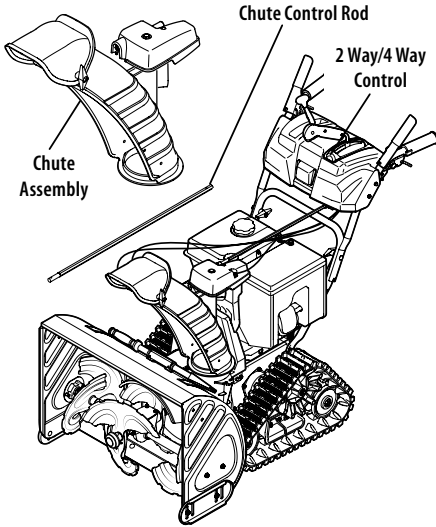


Figure 12

1. Remove hairpin clip (a), wing nut (b) and hex screw (c) from chute control head and clevis pin (d) and bow-tie cotter pin (e) from chute support bracket (Figure 13).

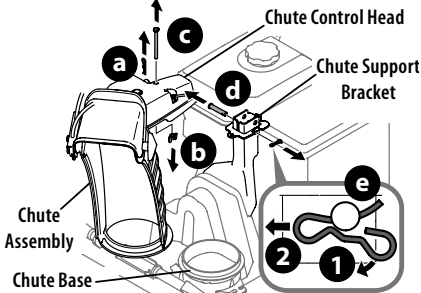


Figure 13

NOTE: For smoothest operation, cables should all be to the left of the chute control rod.

2. Insert chute control rod into chute control head. Push rod as far into chute control head as possible, keeping holes in rod pointing upward (Figure 14).

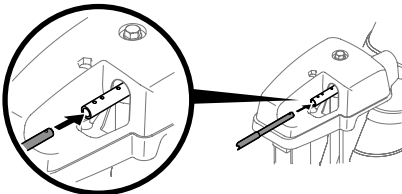


Figure 14

3. Place chute assembly onto chute base and ensure chute control rod is positioned above lower handle. Install hex screw (c) removed in Step 1, but do not secure with wing nut at this time (Figure 15).

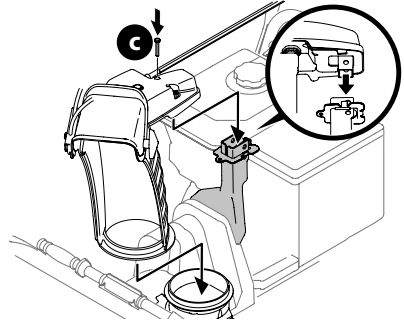


Figure 15

4. Squeeze trigger on 2-way/4-way chute control and rotate chute by hand to face forward. The holes in chute control collar will be facing up (Figure 16).

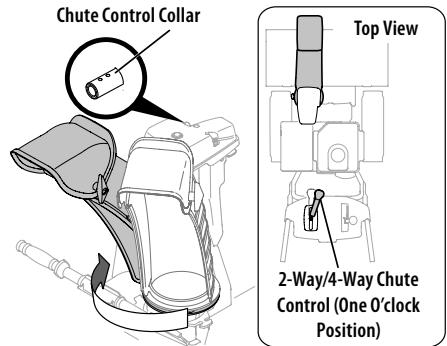


Figure 16

IMPORTANT: Chute will not rotate without squeezing trigger on 2-way/4-way chute control.

5. Rotate 2-way/4-way chute control to one o'clock position (Figure 16) so that indicator arrow on pinion gear below control handle faces upward (Figure 17).

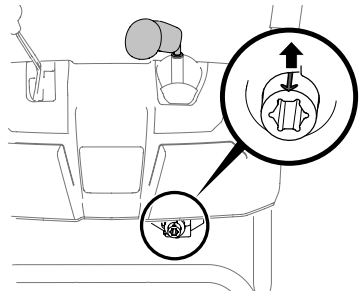


Figure 17

ASSEMBLY

6. Insert chute control rod into pinion gear under handle panel. Make sure to line up hole in rod with arrow on pinion gear (Figure 18).

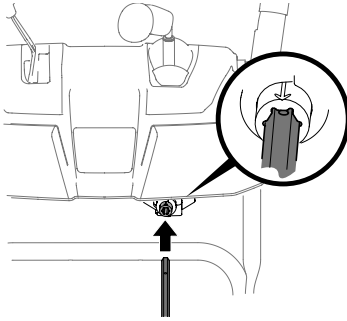


Figure 18

NOTE: Chute control rod will fit snug into pinion gear. Support rear of handle panel with one hand while inserting rod with your other hand to ensure rod is inserted **all the way** into pinion gear.

NOTE: The hole in the chute control rod is a reference for aligning rod with indicator arrow on pinion gear, and will be visible after rod has been fully inserted.

7. Push chute control rod toward control panel until hole in rod lines up with hole in chute control input collar closest to chute control head and insert hairpin clip (a) removed in Step 1 (Figure 19).

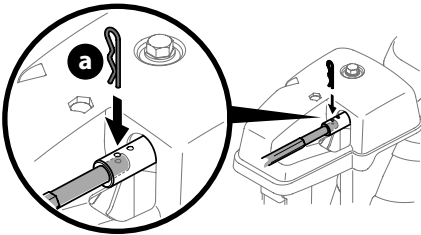


Figure 19

NOTE: Second hole is used to achieve further engagement of chute control rod into pinion gear, if required. Refer to Product Care section for Chute Control Rod adjustments.

8. Finish securing chute control head to chute support bracket with wing nut (b), clevis pin (d), and bow-tie cotter pin (e) removed in Step 1.

● STOP

Continue to Set-Up (page 13).

Overhead Chute Control (Flex Shaft) w/ Steel Chute & 2-Way Pitch Control

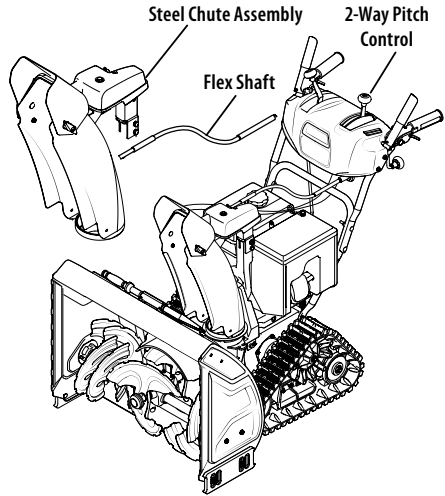


Figure 20

1. Remove lock nuts (a) and hex screws (b) from chute support bracket (this will require two wrenches) (Figure 21).

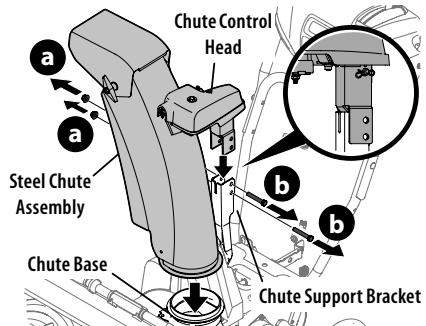


Figure 21

2. Place steel chute assembly onto chute base and chute control head onto chute support bracket (Figure 21).
3. Secure chute control head to chute support bracket with lock nuts (a) and hex screws (b) removed in Step 1 (Figure 22).

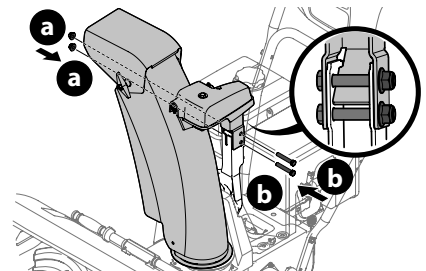


Figure 22

ASSEMBLY

NOTE: For smoothest operation, cables should all be to the left of the chute control rod.

- Remove hairpin clip (c) from rear of chute control head (Figure 23).

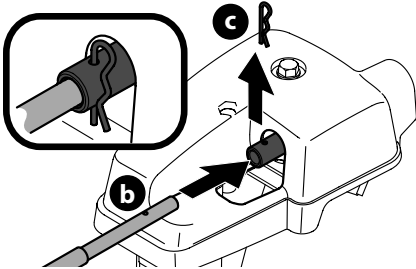


Figure 23

- Insert flex shaft (b) into rear of chute control head, with hairpin clip (c) removed in Step 4 (Figure 23).
- Perform one of the following to connect the flex shaft to the chute control rod coupling:
 - Models with Overhead Rotational - Insert hex end of flex shaft into chute control rod coupling under handle panel (Figure 24).

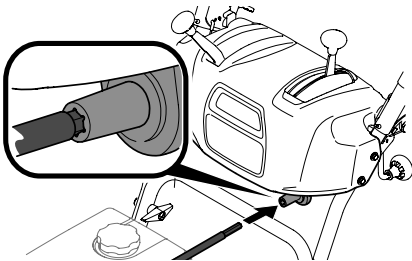


Figure 24

- Models with Electric Chute Control - Insert other end of flex shaft into chute control rod coupling under handle panel. Make sure to line up flat end of rod and flat end of coupler. You may need to rotate rod around until these two surfaces line up (Figure 25 inset).

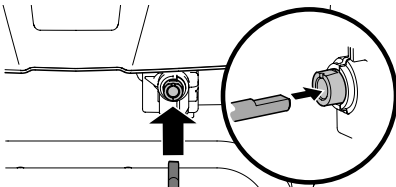


Figure 25

- Ensure speed selector is in fastest forward speed.
- Remove hairpin clip (c) and washer (d) from ferrule on end of shift rod (Figure 26 inset).

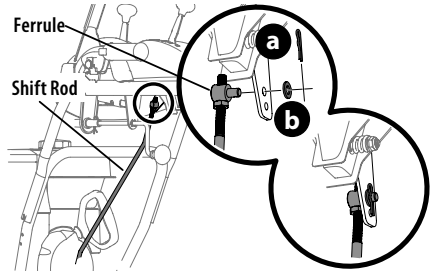


Figure 26

- Make sure the shift lever on the back of the transmission is rotated downward to the full extent of its rotation (Figure 27).

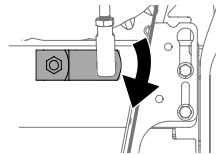


Figure 27

- Insert ferrule into top hole of shift lever and secure with hairpin clip (c) and washer (d) removed in Step 8 (Figure 26). Ferrule may need to be adjusted up or down.

● STOP

Continue to Set-Up (page 13).

Overhead Chute Rotation Control w/ 4-Way Electric Pitch & Rotation Control

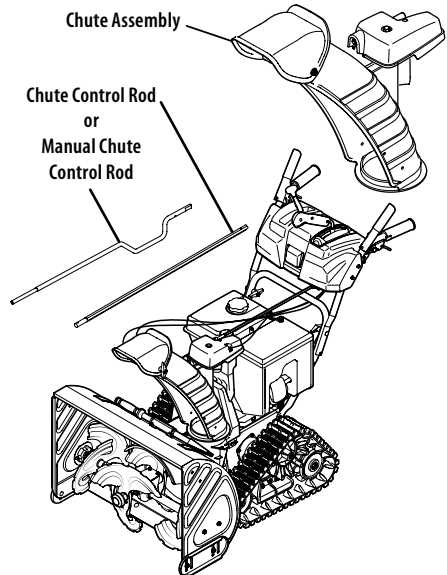


Figure 28

ASSEMBLY

1. Remove hairpin clip (a), wing nut (b) and hex screw (c) from chute control head. Remove clevis pin (d) and bow-tie cotter pin (e) from chute support bracket (Figure 29).

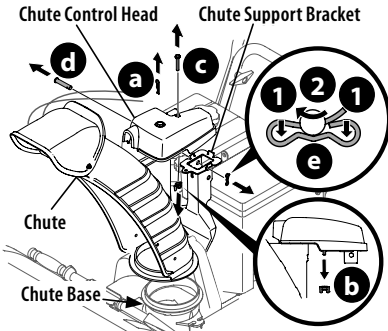


Figure 29

NOTE: For smoothest operation, cables should all be to the left of the chute control rod.

2. Insert round end of chute control rod into chute control head. Push rod as far into chute control head as possible, keeping holes in rod pointing upward (Figure 30).

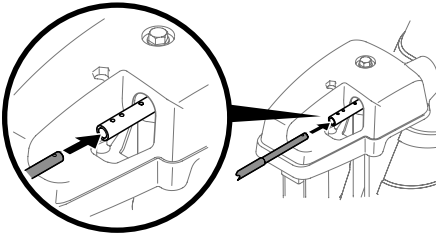


Figure 30

3. Place chute onto chute base and ensure chute control rod is positioned above lower handle. Secure chute control head to chute support bracket with clevis pin (d) and bow-tie cotter pin (e) removed in Step 1 (Figure 31).

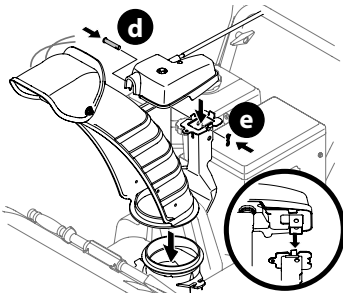


Figure 31

4. Finish securing chute control head by installing hex screw (c) and wing nut (b) removed in Step 1 (Figure 32).

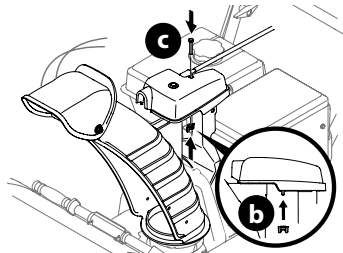


Figure 32

5. Insert other end of chute control rod into coupler below handle panel. Make sure to line up flat end of rod and flat end of coupler. You may need to rotate rod around until these two surfaces line up (Figure 33 inset).

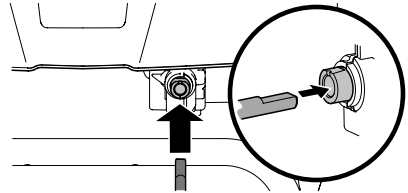


Figure 33

6. Push chute control rod toward the control panel until hole in rod lines up with middle hole in chute control coupler and insert hairpin clip (a) removed in Step 1 (Figure 34).

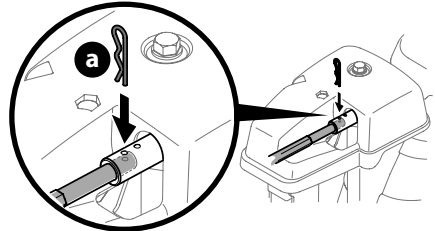


Figure 34

NOTE: There is a reference hole provided at rear end of control rod to help know when holes are vertical.

NOTE: Hole furthest from chute control head is used to achieve further engagement of chute control rod into coupler, if required. Refer to Adjustments, Overhead Chute Control on page 15.

NOTE: For models equipped with manual chute control rods, the hole closest to chute control head is used for manual movement of chute assembly, if required. Refer to Operation, Manual Chute Rotation Control & Electric Chute Control on page 20.

● STOP

Continue to Set-Up (page 13).

Set-Up

CHUTE CONTROL CABLE ROUTING (IF EQUIPPED)

For models equipped with 2-way or 4-way chute controls, electric chute control and/or chute-pitch controls, ensure control cables are routed properly.

Chute control cables are routed through a single wire guide (a) on top of the engine and/or through two wire guides (b) located on the front and left side of the engine (Figure 35).

NOTE: On models equipped with a cable tie securing the cables to the rear of the gas tank, pull the cables toward the chute and pull the cable tie snug to secure the cables in place.

NOTE: For smoothest operation, cables should all be to the left of the chute control rod (c).

NOTE: The number of cables routed through the wire guides will vary depending on model.

1. Locate cable guide(s) and perform the following:

- Top Mounted Wire Guide (a) - Check that all cables are properly routed through cable guide on top of engine (Figure 35).
- Front and Side Mounted Wire Guides (b) - Check that all cables are properly routed through the wire guide below the left side of the engine and the wire guide below the chute control head (Figure 35).

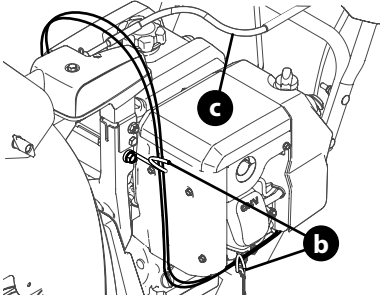
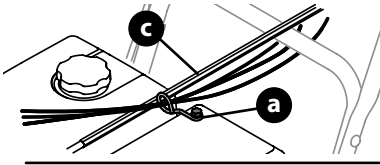


Figure 35

SHEAR PINS STORAGE (IF EQUIPPED)

On select models, holes are provided in the rear of the handle panel for shear pin (a) and bow-tie cotter pin (b) storage as shown in Figure 36. If not provided, make sure to store them in a safe place until needed.

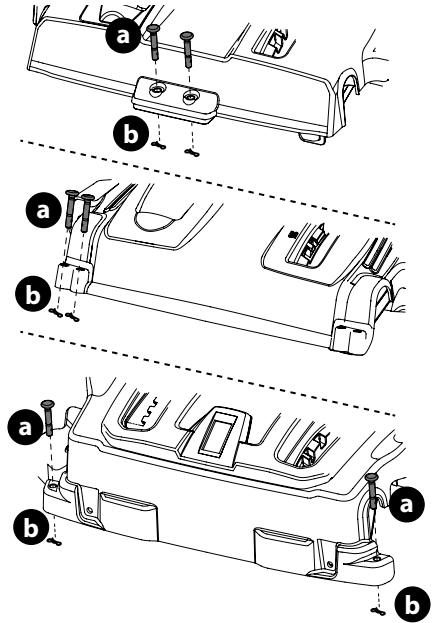


Figure 36

DRIFT CUTTERS (IF EQUIPPED)

The drift cutters are mounted inverted at the factory for shipping purposes.

Non-Adjustable

1. Remove two carriage bolts (a) and lock nuts (b) that secure each drift cutter, and remove them from the sides of auger housing (Figure 37).

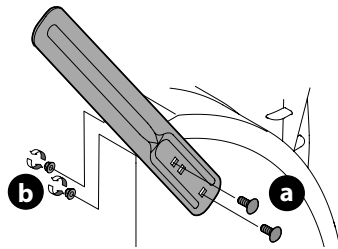


Figure 37

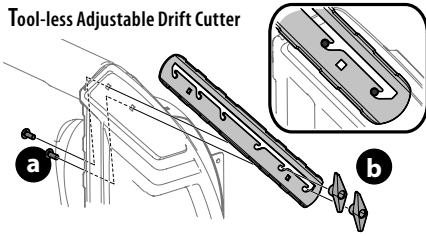
2. Turn the drift cutters and position them as shown in Figure 37 to the outside of the auger housing.
3. Attach drift cutters with carriage bolts (a) and lock nuts (b) removed in Step 1.

Tool-less

1. Remove two carriage bolts (a) and wing knob (b) that secure each drift cutter, and remove them from the sides of auger housing (Figure 38).

ASSEMBLY

Tool-less Adjustable Drift Cutter



Tool-less Non-Adjustable Drift Cutter

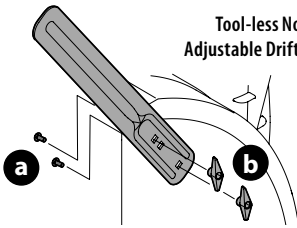


Figure 38

2. Turn the drift cutters around and position them as shown in Figure 38 to the outside of the auger housing.
3. Attach drift cutters with carriage bolts (a) and wing knob (b) removed in Step 1.

SKID SHOES (IF APPLICABLE)

Select models require the installation to the provided skid shoes.

1. Using the two carriage bolts (a) and hex flange nuts (b) and flat washers (if equipped) (c), secure the skid shoes to the auger housing (d). Hand tighten hex flange nuts (Figure 39).
2. Adjust the skid shoes to provide a minimum of 1/8th inch clearance between the shave plate (e) and the ground. Securely tighten hex flange nuts.
3. If necessary refer to Skid Shoes in the Adjustments section on page 14.

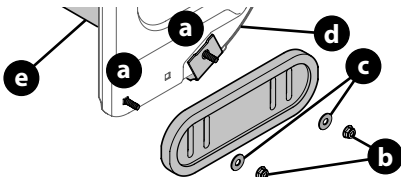


Figure 39

CHUTE CLEAN-OUT TOOL

The chute clean-out tool is fastened to the top of the auger housing with a mounting clip (Figure 40).

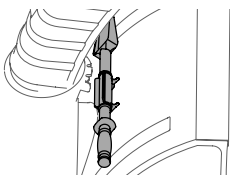


Figure 40

Adjustments

SKID SHOES

Snow blower skid shoes are adjusted at a factory setting roughly 1/8" below the shave plate. Adjust them upward or downward, if desired, prior to operating.

⚠ WARNING

Use extreme caution when operating on or near gravel and adjust skid shoes to clear gravel or crushed rock surfaces to avoid picking up and throwing objects which could cause serious injury or property damage.

- For close snow removal on a smooth surface, raise skid shoes higher on auger housing.
- Use a lower position when area to be cleared is uneven, such as a gravel driveway.

IMPORTANT: If you choose to operate on a gravel surface, keep skid shoes in position for maximum clearance between ground and shave plate.

1. Loosen four hex nuts (a) (two on each side) and carriage bolts (b). Move skid shoes to desired position (Figure 41).

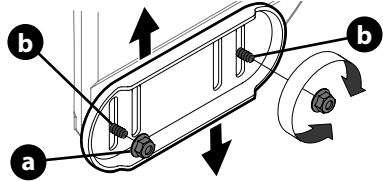


Figure 41

NOTE: The skid shoes on your snow blower may look slightly different (and have different hardware) than ones shown in Figure 41.

2. Make certain entire bottom surface of skid shoe is against ground to avoid uneven wear on skid shoes.
3. Securely tighten hex nuts (a) to carriage bolts (b).

ADJUSTABLE DRIFT CUTTERS (IF EQUIPPED)

The drift cutters are mounted inverted at the factory for shipping purposes.

1. Loosen the two carriage bolts (a) and wing knob (b) that secure each drift cutter to the sides of auger housing (Figure 42).

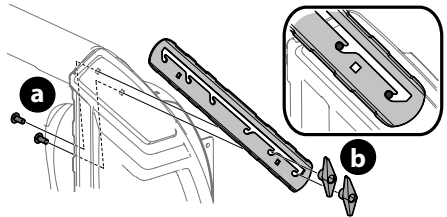


Figure 42