

STIHL

STIHL MS 261

Instruction Manual
Manual de instrucciones



WARNING

To reduce the risk of kickback injury use STIHL reduced kickback bar and STIHL low kickback chain as specified in this manual or other available low kickback components.

ADVERTENCIA

Para reducir el riesgo de lesionarse como resultado de un culatazo, utilice la barra y la cadena de contragolpe reducido de la forma especificada en este manual o de otros componentes reductores de contragolpe.

WARNING

Read Instruction Manual thoroughly before use and follow all safety precautions – improper use can cause serious or fatal injury.

ADVERTENCIA

Antes de usar la máquina lea y siga todas las precauciones de seguridad dadas en el manual de instrucciones – el uso incorrecto puede causar lesiones graves o mortales.



Instruction Manual

1 - 69

Manual de instrucciones

70 - 144

Contents

1	Introduction	3
2	Guide to Using this Manual	3
2.1	Signal Words	3
2.2	Symbols in Text	3
3	Main Parts	4
3.1	Chain Saw	4
4	Safety Symbols on the Product	5
4.1	Chain Saw	5
5	IMPORTANT SAFETY INSTRUCTIONS	6
5.1	Intended Use	6
5.2	Operator	6
5.3	Personal Protective Equipment	7
5.4	Chain Saw	8
5.5	Fueling Instructions	9
5.6	Using the Chain Saw	13
6	Kickback and Other Reactive Forces	19
6.1	Reactive Forces	19
6.2	Kickback	20
6.3	Pull-in	24
6.4	Pushback	25
7	Proper Techniques for Basic Bucking, Limbing, Pruning and Felling	25
7.1	Bucking	25
7.2	Cutting Logs Under Tension	26
7.3	Limbing	26
7.4	Pruning	27
7.5	Felling	28
8	Maintenance, Repair and Storage	33
8.1	Warnings and Instructions	33
9	Before Starting Work	33
9.1	Preparing the Chain Saw for Operation	33
10	Assembling the Chain Saw	34
10.1	Cutting Attachment	34
10.2	Mounting and Removing the Guide Bar and Chain	34
10.3	Tensioning the Chain	35
11	Lubricating the Saw Chain and Guide Bar	36
11.1	Bar and Chain Lubricant	36
11.2	Filling the Chain Oil Tank	36
11.3	Adjusting the Flow of Bar and Chain Oil	37
12	The Chain Brake	38
12.1	Engaging the Chain Brake	38
12.2	Disengaging the Chain Brake	38
12.3	Maintaining the Chain Brake	39
13	Mixing Fuel and Refueling the Chain Saw	39
13.1	Mixing Fuel	39
13.2	Refueling the Chain Saw	40
14	Starting the Engine	43
14.1	Holding the Chain Saw	43
14.2	Starting Procedure	43
14.3	Pre-Starting Procedure	43
14.4	Starting the Engine	44
15	Shutting Off the Engine	45
15.1	Shutting Off the Engine	45
16	Checking the Chain Saw	45
16.1	Checking the Operation of the Chain Brake	45
16.2	Testing the Controls	46
16.3	Testing Chain Lubrication	46
17	Adjusting the Carburetor	47
17.1	Winter Operation	47
17.2	Summer Operation	47
17.3	Adjusting the Carburetor for Operation at High Altitude	48
17.4	Adjusting the Carburetor for Operation at Temperatures Below 14 °F (- 10 °C)	48
17.5	Standard Carburetor Setting	49
18	After Finishing Work	49

STIHL

This instruction manual is protected by copyright. All rights reserved, especially the rights to reproduce, translate and process with electronic systems.

18.1 Preparing for Transportation or Storage	49	29 Emission Control Warranty	66
19 Transporting	50	29.1 STIHL Incorporated Federal Emission Control Warranty Statement	66
19.1 Transporting the Chain Saw	50	30 Trademarks	68
20 Storing	50	30.1 Registered Trademarks	68
20.1 Storing the Chain Saw	50	30.2 Common Law Trademarks	69
21 Cleaning	51	31 Addresses	69
21.1 Cleaning the Chain Saw	51	31.1 STIHL Incorporated	69
21.2 Cleaning the Guide Bar and Saw Chain	51		
21.3 Cleaning the Air Filter	51		
21.4 Cleaning the Spark Plug	53		
21.5 Cleaning the Spark Arresting Screen	54		
22 Inspection and Maintenance	55		
22.1 Inspection and Maintenance Chart	55		
22.2 Inspecting and Maintaining the Chain Saw	56		
22.3 Inspecting and Maintaining the Chain Sprocket	56		
22.4 Inspecting and Maintaining the Guide Bar	56		
22.5 Inspecting, Maintaining and Sharpening the Saw Chain	57		
23 Troubleshooting Guide	61		
23.1 Chain saw	61		
23.2 Adjusting Idle Speed	62		
23.3 Clearing the Combustion Chamber	62		
24 Specifications	63		
24.1 EPA	63		
24.2 STIHL MS 261	63		
24.3 Chain Sprockets	63		
24.4 Minimum Groove Depth of Guide Bars	64		
24.5 Depth Gauge Setting	64		
24.6 Symbols on the Chain Saw	64		
24.7 Engineering Improvements	64		
25 Combinations of Guide Bars and Saw Chains	65		
25.1 STIHL MS 261	65		
26 Replacement Parts and Equipment	66		
26.1 Genuine STIHL Replacement Parts	66		
27 Disposal	66		
27.1 Disposal of the Power Tool	66		
28 Limited Warranty	66		
28.1 STIHL Incorporated Limited Warranty Policy	66		

1 Introduction

Thank you for your purchase. The information contained in this manual will help you receive maximum performance and satisfaction from your STIHL chain saw and, if followed, reduce the risk of injury from its use.

SAVE THIS MANUAL!



Because a chain saw is a high-speed wood-cutting tool, special safety precautions must be observed to reduce the risk of personal injury.



Read this instruction manual thoroughly before use and periodically thereafter. Follow all safety precautions. Careless or improper use of the chain saw can cause serious or fatal injury.

Have your authorized STIHL servicing dealer show you how to operate your chain saw. All safety precautions that are generally observed when working with an axe or a hand saw also apply to the operation of chain saws. Observe all applicable federal, state and local safety regulations, standards and ordinances.

Do not lend or rent your chain saw without this instruction manual. Allow only persons who have the proper training and fully understand the information in this manual to operate the chain saw.

For further information, or if you do not understand any of the instructions in this manual, please go to www.stihlusa.com or contact your authorized STIHL servicing dealer.

2 Guide to Using this Manual

2.1 Signal Words

This manual contains safety information that requires your special attention. Such information is introduced with the following symbols and signal words:

DANGER

Indicates a hazardous situation that, if not avoided, will result in death or serious injury.

WARNING


Indicates a hazardous situation that, if not avoided, could result in death or serious injury.

NOTICE

Indicates a risk of property damage, including damage to the machine or its individual components.

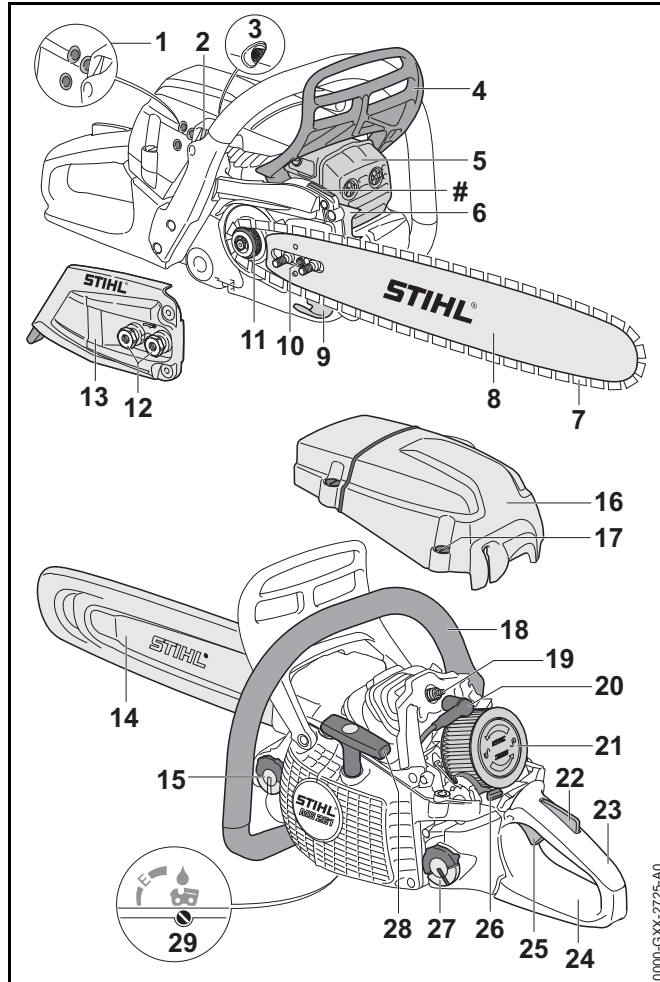
2.2 Symbols in Text

The following symbol is included to assist you with the use of the manual:

 Refers to a designated chapter or sub-chapter in this instruction manual.

3 Main Parts

3.1 Chain Saw



1 Carburetor Adjusting Screws

For tuning the carburetor.

2 Shutter for Summer or Winter Operation

With summer and winter positions. Carburetor is heated in winter position.

3 Decompression Valve (not available on all models)

Makes starting easier.

4 Front Hand Guard

Helps protect the operator's left hand from projecting branches and contact with the saw chain. Serves as the activation lever for the chain brake.

5 Muffler with Spark Arresting Screen and Plugs

Reduces engine exhaust noise and diverts exhaust gases away from the operator. The spark arresting screen and plugs are designed to reduce the risk of fire.

6 Bumper Spike

Helps hold the saw steady against the wood during cutting.

7 Saw Chain

Toothed cutting tool consisting of cutters, tie straps and drive links.

8 Guide Bar

Supports and guides the saw chain.

9 Chain Catcher

Helps contain the saw chain and reduce the risk of operator contact in the event the chain breaks or comes off the bar.

10 Side Chain Tensioner

Permits precise adjustment of saw chain tension.

11 Chain Sprocket

Drives the saw chain.

12 Nuts

Tighten the chain sprocket cover to the chain saw.

13 Chain Sprocket Cover

Covers the chain sprocket.

14 Chain Scabbard

Covers the guide bar and saw chain to reduce the risk of injury from inadvertent contact during transportation and storage.

15 Oil Filler Cap

Closes and seals the oil tank.

16 Shroud

Covers the air filter and engine.

17 Shroud Lock

Lock for the shroud.

18 Front Handle

Handle for the operator's left hand.

19 Spark Plug

Ignites the fuel-air mix in the engine.

20 Spark Plug Boot

Connects the spark plug with the ignition lead.

21 Air Filter

Filters the air drawn into the engine.

22 Throttle Trigger Lockout

Prevents activation of the throttle trigger until depressed.

23 Rear Handle

Handle for the operator's right hand.

24 Rear Hand Guard

Helps protect the operator's right hand in the event the chain breaks or comes off the bar.

25 Throttle Trigger

Controls the speed of the engine.

26 Master Control Lever

Lever for choke control, starting throttle, run and stop switch position.

27 Fuel Filler Cap

Closes and seals the fuel tank.

28 Starter Grip

The grip of the pull starter for starting the engine.

29 Oil Flow Adjusting Screw

For adjusting the amount of chain oil.

Clutch (not illustrated)

Engages the chain sprocket when the engine is accelerated beyond idle speed.

Anti-Vibration System (not illustrated)

The anti-vibration system includes a number of anti-vibration elements designed to reduce the transmission of vibration created by the engine and cutting attachment to the operator's hands.

Rating Plate

Contains the product's serial number.

4 Safety Symbols on the Product

4.1 Chain Saw

The following safety symbols are found on the chain saw:



To reduce the risk of injury, follow the specified safety precautions.



Read and follow all safety precautions in the instruction manual. Improper use can lead to serious or fatal personal injury or property damage.



To reduce the risk of serious personal injury and hearing loss, always wear proper eye protection, hearing protection and an approved protective helmet, 5.3.



Avoid contact of the bar tip with any object. This can cause the bar to kick suddenly up and back, which may result in serious or fatal injury. Always use two hands to operate the saw, 6.

5 IMPORTANT SAFETY INSTRUCTIONS

5.1 Intended Use

⚠ WARNING

- This chain saw is designed for cutting trees, branches and limbs. Use of the chain saw for operations different than intended could result in serious injury or death.
 - Cut wood only. For example, do not use chain saw for cutting metal, plastic or masonry.
 - Read and follow the operating and use instructions in this manual for approved applications and recommended working techniques.
- Observe all applicable federal, state and local safety regulations, standards and ordinances.
 - When using a chain saw for logging purposes, for instance, refer to the OSHA regulations for "logging operations" at 29 Code of Federal Regulations 1910.266.
- Improper use could result in personal injury or property damage, including damage to the chain saw.
 - Use the chain saw only as described in this manual.
 - Never attempt to modify or override the chain saw's controls or safety devices in any way.
 - Never use a chain saw that has been modified or altered from its original design.

5.2 Operator

⚠ WARNING

- Working with the chain saw can be strenuous. The operator must be in good physical condition and mental health. To reduce the risk of personal injury from fatigue and loss of control:
 - Check with your doctor before using the chain saw if you have any health condition that may be aggravated by strenuous work.
 - Do not operate the chain saw while under the influence of any substance (drug, alcohol or medication, etc.) that might impair vision, balance, dexterity or judgment.
 - Be alert. Do not operate the chain saw when you are tired. Take a break if you become tired.
 - Do not permit minors to use the chain saw.
 - Bystanders, especially children, and animals should not be allowed in the area where the chain saw is in use.
- Prolonged use of a chain saw (or other power tools) exposing the operator to vibration may produce white finger disease (Raynaud's phenomenon) or carpal tunnel syndrome. These conditions reduce the hand's ability to feel and regulate temperature. They produce numbness and burning sensations and may also cause nerve and circulation damage as well as tissue necrosis.
- All factors which contribute to white finger disease are not known. Cold weather, smoking and diseases or physical conditions that affect blood vessels and blood transport, as well as high vibration levels and long periods of exposure to vibration, are mentioned as factors in the development of white finger disease.

- STIHL chain saws are equipped with an anti-vibration ("AV") system designed to reduce the transmission of vibration from the saw to the operator's hands. To reduce the risk of white finger disease and carpal tunnel syndrome:
 - Wear gloves while working and keep your hands warm.
 - Keep the chain saw and its AV system well maintained. A chain saw with loose components or with damaged or worn AV elements will tend to have higher vibration levels.
 - Keep the saw chain sharp. A dull chain will increase cutting time, and pressing a dull chain through wood will increase the vibration transmitted to your hands.
 - Maintain a firm grip at all times, but do not squeeze the handles with constant, excessive pressure. Take frequent breaks.
- These precautions do not guarantee that you will not sustain white finger disease or carpal tunnel syndrome.
 - Closely monitor the condition of your hands and fingers if you are a regular operator.
 - Seek medical advice immediately if any of the above symptoms appear.
- The ignition system of this machine produces an electromagnetic field of a very low intensity. This field may interfere with some pacemakers or implanted medical devices. To reduce the risk of injury:
 - Persons with a pacemaker or other implanted medical device should consult their physician and the device manufacturer before operating this chain saw.

5.3 Personal Protective Equipment

⚠ WARNING

- To reduce the risk of personal injury:
 - Always wear proper clothing and protective apparel, including proper eye protection.
- Loss of control and severe cut injuries may result if hair, clothing or apparel make contact with the moving saw chain or otherwise become entangled in the components of the saw. To reduce the risk of severe personal injury:



- Wear sturdy and snug-fitting clothing that also allows complete freedom of movement.
- Wear the type of overalls, long pants or chaps that contain pads of cut-retardant material.
- Wear a long-sleeve shirt or jacket.
- Avoid loose-fitting jackets, scarves, neckties, flared or cuffed pants, jewelry and any other apparel that could be caught on branches, brush or the moving chain.
- Secure hair above shoulder level before starting work.

- To reduce the risk of eye injury:



- Always wear goggles or close-fitting protective glasses with adequate top and side protection that are impact-rated and marked as complying with ANSI Z87 "+".
- To reduce the risk of injury to your face, STIHL recommends that you also wear a face shield or face screen over your goggles or protective glasses.
- To reduce the risk of head injury from falling branches or other objects encountered during work:
 - Wear an approved protective helmet.
- Prolonged exposure to power tool noise may result in permanent hearing damage. To reduce the risk of hearing damage:



- Wear sound barriers (ear plugs or ear muffs).
- Regular operators should have their hearing checked periodically.
- Be particularly alert and cautious when using hearing protection. Your ability to hear shouts, alarms or other audible warnings is restricted.

- Good footing is very important. To help maintain a secure footing and reduce the risk of injury while working:



- Wear sturdy boots with non-slip soles. Steel-toed safety boots are recommended. Do not wear sandals, flip-flops, open-toed or similar footwear.

- To improve your grip and help protect your hands:





- Always wear heavy-duty non-slip work gloves made of leather or another wear-resistant material when handling the chain saw or its chain.

5.4 Chain Saw

▲ WARNING

- The saw chain has many sharp cutters. Contacting the cutters may result in serious laceration injuries, even if the chain is not moving. To reduce the risk of such injuries:
 - Keep hands, feet and other parts of your body away from the chain.
 - Wear heavy-duty work gloves when handling the chain saw or its chain.
 - Never touch a moving chain with your hand or any other part of your body.
 - Cover the guide bar with a chain scabbard before transporting or storing the chain saw to reduce the risk of injury from inadvertent contact.

- Reactive forces, including kickback, can be dangerous.
 - Pay special attention to the section of this instruction manual on "Kickback and Other Reactive Forces,"  6.
- To reduce the risk of personal injury to the operator and bystanders:
 - Always release the throttle trigger, engage the chain brake and shut off the engine before assembling, transporting, adjusting, inspecting, cleaning, servicing, maintaining or storing the chain saw.
 - Shut off the chain saw anytime it is not in use.
- To reduce the risk of fire and explosion:
 - Only use the spark plug specified in this instruction manual and make sure it and the ignition lead are clean and in good condition.
 - Always press the spark plug boot snugly onto the spark plug terminal of the proper size.
 - Never test the ignition system with the spark plug boot removed from the spark plug or with a removed spark plug.
- Although certain unauthorized attachments may fit your STIHL chain saw, their use may be extremely dangerous. Only attachments supplied by STIHL or expressly approved by STIHL for use with this specific model are recommended.
 - Use only attachments supplied or expressly approved by STIHL.
 - Never modify this chain saw in any way.
 - Never attempt to modify or override the chain saw's controls or safety devices in any way.
 - Never use a chain saw that has been modified or altered from its original design.

- Any modification to your muffler or spark arresting screen could cause an increase in heat radiation, sparks or sound level, thereby increasing the risk of fire, burn injury or hearing loss. You may also permanently damage the engine.
 - Never modify your muffler or spark arresting screen.
- If the chain saw is dropped or subjected to similar heavy impacts:
 - Check that it is undamaged, in good condition and functioning properly before continuing work.
 - Check that the fuel system is tight and has no leaks.
 - Check that the controls and safety devices, including the chain brake, are working properly,  16.
 - Never work with a damaged or malfunctioning chain saw. In case of doubt, have the chain saw checked by your authorized STIHL servicing dealer.
- Genuine STIHL replacement parts are specifically designed to match your chain saw and meet safety and performance requirements. Use of parts that are not authorized or approved by STIHL may cause serious or fatal injury or property damage.
 - STIHL recommends that only identical STIHL replacement parts be used.

5.5 Fueling Instructions

Fuel

WARNING

- Gasoline and its vapors are extremely flammable. Your STIHL chain saw uses an oil-gasoline mixture for fuel. If spilled and ignited by a spark or other ignition source, it can cause fire and serious burn injury or property damage.



- Use extreme caution when handling gasoline or fuel mix.
- Do not smoke or bring any fire or flame near the fuel or the chain saw.
- Note that combustible fuel vapor may escape from the fuel system.

Pick a Safe Location for Fueling

WARNING

- To reduce the risk of fire and explosion while fueling:
 - Fuel your chain saw in a well-ventilated area, outdoors away from flames, pilot lights, heaters, electric motors, and other sources of ignition. Vapors can be ignited by a spark or flame many feet away.
 - Select bare ground for fueling and move at least 10 ft. (3 m) from the fueling spot before starting the engine.
 - Wipe off any spilled fuel before starting your chain saw.
 - Take care not to get fuel on your clothing. If this happens, change your clothing immediately.



Allow the Saw to Cool Before Removing the Fuel Cap

WARNING

- Gasoline vapor pressure may build up inside the fuel tank. The amount of pressure depends on a number of factors, such as the fuel used, altitude, and temperature. To reduce the risk of burns and other personal injury from escaping gas, vapor and fumes:
 - Always shut off the engine and allow it to cool before removing the fuel cap.
- The engine is air cooled. When it is shut off, cooling air is no longer drawn across the cylinder and engine temperatures will rise for several minutes before starting to cool. In hot environments, cooling will take longer. To reduce the risk of burns and other personal injury from escaping gas vapor and fumes:
 - Allow the chain saw to cool. If you need to refuel before completing a job, turn off the machine and allow the engine to cool before opening the fuel tank.

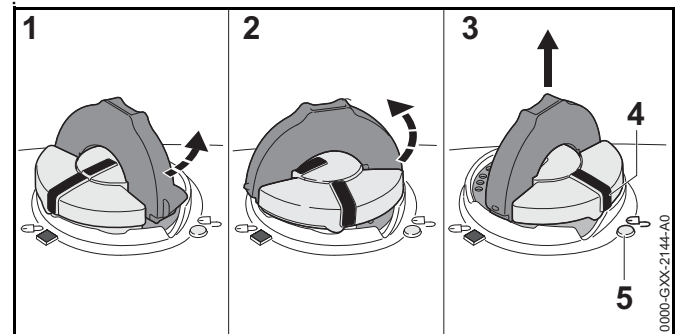
Fuel Spraying or "Geysering"**⚠ WARNING**

- Removing the cap on a pressurized fuel tank can result in gasoline, vapors and fumes being forcefully sprayed out from the fuel tank in all directions. The escaping gasoline, vapors or fumes can cause serious personal injury, including fire and burn injury, or property damage.
- Sometimes also referred to as "fuel geysering," fuel spraying is an expulsion of fuel, vapors and fumes which can occur in hot conditions, or when the engine is hot, and the tank is opened without allowing the saw to cool adequately. It is more likely to occur when the fuel tank is half full or more.
- Pressure is caused by fuel and heat and can occur even if the engine has not been running. When gasoline in the fuel tank is heated (by ambient temperatures, heat from the engine, or other sources), vapor pressure will increase inside the fuel tank.
- Some blends of gasoline, particularly winter blends, may cause tanks to pressurize more quickly or create greater pressure. At higher altitudes, fuel tank pressurization is more likely.

How to Avoid Fuel Spraying**⚠ WARNING**

- Removing the fuel cap on a pressurized tank can result in gasoline, vapors and fumes being forcefully sprayed out from the fuel tank in all directions. To reduce the risk of burns, serious injuries or property damage from fuel spraying:
 - Follow the fueling instructions in this chapter.
 - Always assume your fuel tank is pressurized.
 - Allow the chain saw to cool before removing the fuel cap.
 - If you need to refuel before completing a job, turn off the machine and allow the engine to cool before removing the fuel cap.
 - In hot environments, cooling will take longer.

- The engine is air cooled. When it is shut off, cooling air is no longer drawn across the cylinder and the engine temperature will rise for several minutes before starting to cool.
- After the chain saw has cooled appropriately, follow the safety instructions in this chapter for removing the cap.
 - Never remove the cap by turning it directly to the open position.
 - First check for residual pressure by turning the cap slowly to the vent position, approximately 1/8 turn counter-clockwise.
 - Use only good quality fuel that is appropriate for the season (summer v. winter blends). Some blends of gasoline, particularly winter blends, are more volatile and can contribute to fuel spraying.

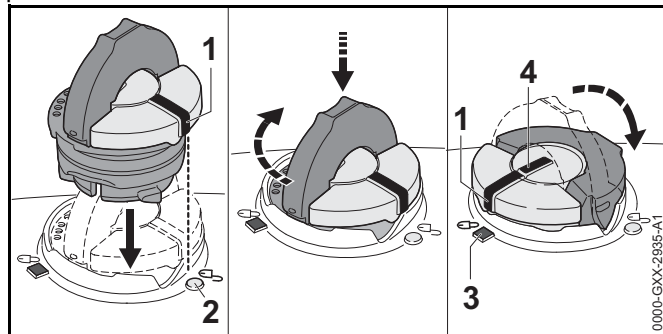
Removing the Toolless Fuel Cap: Turn Slowly and Stop in the Vent Position**⚠ WARNING**

- After allowing the chain saw to cool, remove the fuel filler cap slowly and carefully to allow any remaining pressure build-up in the tank to release:
 - Flip up the grip and press the cap down firmly (1).
 - While maintaining steady, downward pressure, turn the cap slowly counter-clockwise to the vent position (2), approximately a 1/8 turn of the cap.

- If any significant venting occurs, immediately re-seal the tank by turning the cap clockwise to the closed position. Allow the saw to cool further before attempting to open the tank.
- Turn the cap to the open position (3) only after the contents of the tank are no longer under pressure. In the open position, the exterior positioning mark (4) on the cap will line up with the "unlocked" symbol (5) on the fuel tank housing.
- Never remove the cap by turning it directly to the open position without first allowing the saw to cool adequately and then letting it release any residual pressure at the vent position (2).
- Never attempt to remove the cap while the engine is still hot or running.

Installing the Toolless Fuel Cap

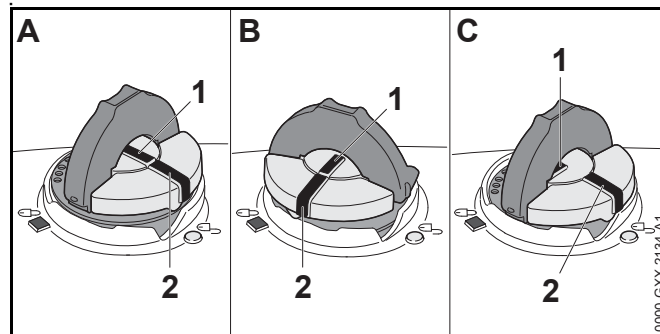
▲ WARNING



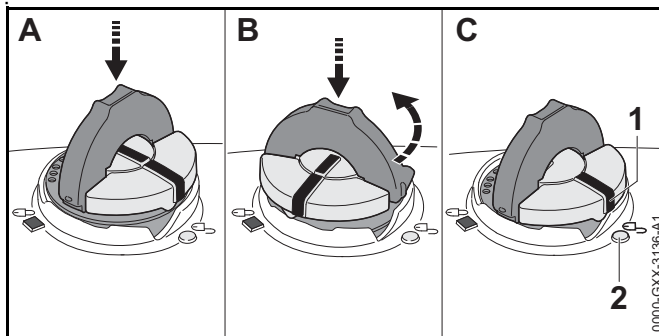
- An improperly tightened fuel filler cap can loosen or come off and spill quantities of fuel. To reduce the risk of fuel spillage and fire from an improperly installed fuel cap, correctly position and tighten the cap in the fuel tank opening:
 - Raise the grip on the top of the cap until it is upright at a 90° angle. Insert the cap in the fuel tank opening with the exterior positioning mark (1) lined up with the "unlocked" symbol (2) on the fuel tank housing.
 - Using the grip, press the cap down firmly while turning it clockwise to the closed position (approximately 1/4 turn). In the closed position, the interior (4) and exterior (1) positioning marks will align with the "locked" symbol (3) on the fuel tank housing.
 - Fold the grip flush with the top of the cap and check for tightness.
 - If the grip does not lie completely flush with the cap or the detent on the grip does not fit in the corresponding recess in the tank opening, or if the cap is loose, the cap is not properly seated and you must repeat the above steps. Refer to the procedure below for returning the base of the cap to the proper starting position for installation.

Misaligned, Damaged or Broken Cap

▲ WARNING



- If the cap does not drop fully into the fuel tank opening when the positioning marks (1, 2) line up, or if it does not tighten properly when turned, the base of the cap may be prematurely rotated in relation to the top. Such misalignment can result from handling, cleaning or an improper attempt at tightening.
 - Illustrations A and B: The base of the cap is prematurely rotated to the closed position and is not in the correct starting position for installation. The tank will not seal in this configuration. Note: in Illustrations A and B, the interior positioning marks (1) are in line with the exterior positioning marks (2).
 - Illustration C: The bottom of the cap is in the correct starting position for installation. Note: in Illustration C, the interior positioning mark (1) is under the grip and not in line with the outer positioning mark (2).


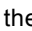


- To return the base of the cap to the proper starting position for installation:
 - Drop the cap into the fuel tank opening (A).
 - Turn the cap counter-clockwise with slight pressure until it drops fully into the fuel tank opening (approx. 1/4 turn) (B). This will rotate the base of the cap into the correct starting position for installation (C). The exterior positioning mark (1) on the cap will line up with the "unlocked" symbol on the fuel tank housing. The interior positioning mark should be under the grip and not in line with the outer positioning mark (1).
 - Then, turn the cap clockwise, closing it normally.

- If your fuel cap still does not tighten properly, it may be damaged or broken. Stop using the unit and take it to your authorized STIHL dealer for repair.

Vapor Lock





▲ WARNING


- Vapor lock occurs when fuel in the fuel line or carburetor vaporizes, causing bubbles to block the free flow of liquid fuel into the carburetor.
- Vapor lock cannot be relieved or affected by opening the fuel tank. Removing the fuel filler cap without first allowing the chain saw to cool adequately can result in fuel spraying. Always follow the instructions in this section when removing the fuel cap.
- To relieve vapor lock:
 - Place the Master Control Lever in the cold start position  and pull the starter cord approximately 20 times to clear the vapor and send liquid fuel into the carburetor.
 - To start the chain saw, move the Master Control Lever to the starting throttle position  and pull the starter cord approximately 10 times.
 - If your chain saw will not restart, or if vapor lock occurs again, the chain saw is being used in conditions too extreme for the fuel being used. Discontinue use and let the engine cool completely before attempting to start the chain saw.
 - Using good quality, fresh fuel (stored less than 30 days) also can help reduce the occurrence of vapor lock.

5.6 Using the Chain Saw

5.6.1 Before Operation


⚠ WARNING

- Misuse or unauthorized use may result in personal injury and property damage.
 - Use the chain saw only as described in this instruction manual.
- For proper assembly of the bar and chain:
 - Read and follow the instructions on mounting the guide bar and chain,  10.2.1.
- The chain, guide bar and sprocket must match each other in gauge and pitch. Before mounting or replacing:
 - Read the information on guide bar and chain combinations,  25.
 - Read and follow the instructions on kickback and other reactive forces,  6.
 - Select the shortest bar that will meet your cutting needs. Longer bars add weight and may be more difficult to control.
- Proper tension of the chain is extremely important to maximize cutting performance and reduce the risk of personal injury from chain breakage, derailment or reactive forces:
 - Never cut with a loose chain. If the chain becomes loose while cutting, engage the chain brake and shut off the engine before tightening the chain. Never attempt to adjust the chain while the engine is running.
 - Read and follow the chain tensioning instructions,  10.3.
 - Always make sure the chain sprocket cover is tightened securely after tensioning the chain in order to secure the bar. Never start the chain saw with the chain sprocket cover loose or missing.
 - Check chain tension once more after tightening the chain sprocket cover.
- After adjusting the chain, let the motor run for a minute or two, then shut off the engine, engage the chain brake and recheck chain tension.
- Check chain tension periodically thereafter at regular intervals (only after engaging the chain brake and shutting off the engine).
- To reduce the risk of fire and explosion:
 - Check fuel system for leaks, especially the visible parts, (e.g., filler cap, hose connections).
 - Securely mount the spark plug boot on the spark plug.
 - Do not start the engine if the fuel system has leaks or the saw is otherwise damaged. Have the chain saw repaired by an authorized STIHL servicing dealer before using it.
- Using a chain saw that is modified, damaged, improperly adjusted or maintained, or not completely and securely assembled can lead to a malfunction and increase the risk of serious personal injury or death.
 - Never operate a chain saw that is modified, damaged, improperly maintained or not completely and securely assembled.
 - Always check your chain saw for proper condition and operation before starting work, particularly the throttle trigger, throttle trigger lockout, Master Control Lever, front hand guard, chain brake and cutting attachment.
 - Ensure that the throttle trigger and throttle trigger lockout move freely and always spring back to the idle position when released. The throttle trigger must not engage until the throttle trigger lockout is depressed. The Master Control Lever must move easily to **STOP**.
 - Never attempt to modify or override the controls or safety devices in any way.
 - If your saw or any part is damaged or does not function properly, take it to your authorized STIHL servicing dealer. Do not use the saw until the problem has been corrected.

- Before starting the engine and disengaging the chain brake, take the following steps to reduce the risk of personal injury from reactive forces, loss of control or inadvertent contact with the chain:
 - Be sure that the guide bar and chain are clear of you and all other obstructions and objects, including the ground.
 - Never attempt to start or accelerate the engine when the guide bar is in a cut or kerf. Doing so could lead to reactive forces and injury.
 - Read and follow the instructions on starting the chain saw,  14.4.

5.6.2 Starting

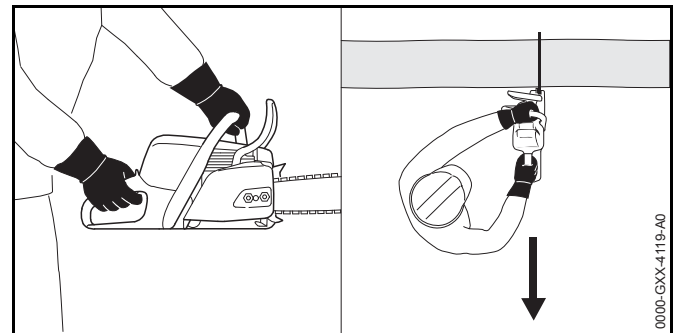
WARNING

- To reduce the risk of burns and other personal injury from escaping gas vapor and fumes:
 - Move at least 10 ft. (3 m) from the fueling spot before starting the engine.
 - Start your chain saw only outdoors.
- To reduce the risk of injury from chain contact and/or reactive forces:
 - Engage the chain brake before starting the chain saw.
- To reduce the risk of serious or fatal injuries to the operator or bystanders from loss of control:
 - Start the chain saw only as described in the "Starting" chapter in this manual,  14.4.
 - Do not drop start. Drop starting means pushing the chain saw away from the operator, or allowing it to drop toward the ground, while pulling on the starter grip. This method is very dangerous because you may lose control of the chain saw.
 - When you pull the starter grip, do not wrap the starter rope around your hand.
 - Do not let the grip snap back. Guide the starter rope to rewind it properly.




- Be sure that the guide bar and chain are clear of you and all other obstructions and objects, including the ground. Never attempt to start the chain saw when the guide bar is in a cut or kerf.
- Always engage the chain brake before starting. When the engine is started, the engine speed with the starting throttle lock engaged will be fast enough for the clutch to engage the sprocket and, if the chain brake is not activated, turn the chain.
- Once the engine has started, immediately blip the throttle trigger, which should release the Master Control Lever to the run position and allow the engine to slow down to idle.

- Accelerating the engine while the chain brake is engaged or the chain is otherwise blocked (i.e., not able to turn) increases the load and will cause the clutch to slip continuously. This may occur if the throttle is depressed for more than a few seconds when the chain is pinched in the cut or the chain brake is engaged. To reduce the risk of overheating and damage to important components (e.g., clutch, polymer housing components):
 - Always disengage chain brake before accelerating engine and before starting cutting work. The only exception to this rule is when you check operation of the chain brake.

5.6.3 Holding and Controlling the Chain Saw



⚠ WARNING

- To maintain a firm grip and properly control your chain saw:
 - Keep the handles clean and dry at all times. Keep them free of moisture, pitch, oil, grease and resin.
- To reduce the risk of serious or fatal injuries to the operator or bystanders from loss of control:
 -  – Avoid contacting any object with the upper quadrant of the tip of the guide bar. It may cause kickback to occur.
 -  – Always hold the chain saw firmly with both hands when you are working.
 - Place your left hand on the front handle and your right hand on the rear handle (see illustration). Left-handers must follow these instructions too.
 - Wrap your fingers tightly around the handles, keeping the handles cradled between your thumb and forefinger.
 - Position the chain saw in such a way that all parts of your body are clear of the cutting attachment whenever the engine is running. Stand to the left of the cut while bucking, outside of the cutting plane (see illustration).
 - Read and follow all warnings and instructions in the chapter Kickback and Reactive Forces,  6.
- Operating the chain saw with one hand is extremely dangerous. One-handed operation makes it difficult to oppose and absorb reactive forces (pushback, pull-in, kickback) without losing control of the chain saw. It also makes it difficult to prevent the bar and chain from skating or bouncing along a limb or log. To reduce the risk of serious or fatal injury to the operator or bystanders from loss of control:



- Never attempt to operate the chain saw with one hand.

- To reduce the risk of serious or fatal cut injuries to the operator or bystanders from loss of control, keep proper footing and balance at all times:
 - Take special care in overgrown or wet terrain and always watch for hidden obstacles such as tree stumps, roots, rocks, holes and ditches to avoid stumbling or falling.
 - Be extremely cautious when working on slopes or uneven ground.
 - For better footing, always clear away fallen branches, scrub and cuttings. Freshly debarked logs and other material can increase the danger of slipping, tripping or falling.
 - Use extreme caution when cutting small-size brush, branches and saplings because slender material may catch the chain and spring toward you or pull you off balance.
- To reduce the risk of injury from loss of control:



- Never work on a ladder, roof, in a tree or while standing on any other insecure support.
- Never operate the chain saw above shoulder height.
- Do not overreach. Keep proper footing and balance at all times.
- Never attempt to start or accelerate the engine when the guide bar is in a cut or kerf. Doing so could lead to reactive forces and injury. Instead, remove the guide bar from the cut and re-enter the cut at full throttle, taking care to avoid contacting any object with the tip of the guide bar.

- The bumper spike is designed to provide greater control of the chain saw while cutting. If you work without the bumper spike, the chain saw may pull you forward suddenly. This could cause loss of control or, if the tip of the guide bar strikes an object, kickback.
 - Position the bumper spike against the material you are cutting and use it as a fulcrum.
 - Always work with the bumper spike to maintain better control of the saw.
- Applying pressure to the chain saw when reaching the end of a cut may cause the bar and rotating chain to accelerate out of the kerf, go out of control and strike the operator or some other object. To reduce the risk of injury:
 - Use caution when approaching the end of a cut.
 - Never put pressure on the chain saw when reaching the end of a cut.
 - STIHL recommends that first-time chain saw users work under the supervision of an experienced operator.
- To reduce the risk of injury to bystanders and unauthorized users:
 - Never leave the chain saw unattended when the engine is running.
 - Shut off the engine and engage the chain brake during work breaks and any other time the chain saw is not in use.
- To reduce the risk of fire and explosion:
 - Never operate the chain saw in a location where combustible gases, liquids, vapors, dusts or other combustible materials and substances are present.
 - Always move the Master Control Lever to stop position **0** before pulling the starter grip if the spark plug boot has been removed.
 - Read and follow recommendations issued by government authorities for identifying and avoiding the hazards of combustible gases, liquids, vapors, dusts or other combustible materials and substances.
 - Never modify the chain saw muffler or spark arresting screen.

5.6.4 Working Conditions

▲ WARNING

- Operate your chain saw only under good visibility during favorable daylight conditions.
 - Postpone the work if the weather is windy, foggy, rainy or inclement.
 - Never cut near power lines.
- Your chain saw is a one-person machine.
 - Do not allow other persons in the general work area.
 - Bystanders, especially children, and animals should not be allowed in the area where it is in use.
 - Shut off the engine immediately if you are approached. Engage the chain brake.
- If a rotating chain strikes a rock or other hard object, sparks may be created, which can ignite flammable materials under certain circumstances. Flammable materials can include dry vegetation and brush, particularly when weather conditions are hot and dry.
 - When there is a risk of fire or wildfire, do not use your chain saw around flammable materials or around dry vegetation or brush.
 - Contact your local fire authorities or the U.S. Forest Service if you have any question about whether vegetation and weather conditions are suitable for the use of a chain saw.
- As soon as the engine is running, it generates toxic exhaust gases containing chemicals, such as unburned hydrocarbons (including benzene) and carbon monoxide, that are known to cause respiratory problems, cancer, birth defects, or other reproductive harm. Some of the

gases (e. g. carbon monoxide) may be colorless and odorless. To reduce the risk of serious or fatal injury or illness from inhaling toxic exhaust gases:



- Never operate the chain saw indoors, in confined spaces or other poorly ventilated locations.
 - If exhaust fumes become concentrated due to insufficient ventilation, clear obstructions from the work area. Ensure proper ventilation before proceeding.
- Using this chain saw and sharpening its chain can generate dust, oil mist and other substances containing chemicals known to cause respiratory problems, cancer, birth defects and other reproductive harm.
 - Consult governmental agencies such as EPA, OSHA, CARB and NIOSH and other authoritative sources on hazardous materials if you are unfamiliar with the risks associated with the particular substances you are cutting or with which you are working.
 - Inhalation of certain dusts, especially organic dusts such as mold or pollen, can cause susceptible persons to have an allergic or asthmatic reaction. Substantial or repeated inhalation of dust or other airborne contaminants, especially those with a smaller particle size, may cause respiratory or other illnesses. This includes wood dust, especially from hardwoods, but also from some softwoods such as Western Red Cedar.
 - Control dust (such as saw dust) and mists (such as oil mist from chain lubrication) at the source where possible.
 - Always work with a properly sharpened chain, which produces wood chips rather than fine dust.
 - To the extent possible, operate the chain saw so that the wind or operating process directs any dust, mist or other particulate matter raised by the chain saw away from the operator.
 - When respirable dust or other particulate matter cannot be kept at or near background levels, always wear a respirator that is approved by NIOSH and rated for worksite-specific conditions. Follow the recommendations of governmental authorities (e.g., OSHA/NIOSH) and occupational and trade associations.
 - If the vegetation being cut or the surrounding ground is coated with a chemical substance, such as pesticide or herbicide:
 - Read and follow the instructions and warnings that accompanied the substance coating the vegetation or surrounding ground.
 - Breathing asbestos dust is dangerous and can cause severe or fatal injury, respiratory illness or cancer, including mesothelioma. The use and disposal of asbestos-containing products is strictly regulated by OSHA and the EPA.
 - Do not use your chain saw to cut or disturb asbestos or asbestos-containing products.
 - Stop work immediately and contact the relevant state and local authorities and/or EPA, your employer or local OSHA representative if you have reason to believe that you might be disturbing asbestos.
 - Repeated contact with waste oil can cause skin cancer and its use is harmful to the environment.
 - Do not use waste oil to lubricate the bar and chain of your STIHL chain saw.

5.6.5 Operating Instructions

⚠ WARNING

- In the event of an emergency:
 - Shut off the engine immediately and engage the chain brake.
- To reduce the risk of personal injury from loss of control and/or contact with the chain:
 - Do not use your chain saw with incorrect idle adjustment. When the idle speed is correctly adjusted, the chain should not move when the saw is

running at idle. For directions on how to adjust idle speed, see "Adjusting Idle Speed" in this instruction manual.

- If you cannot set the correct idle speed, have your STIHL dealer check your chain saw and make proper adjustments and repairs.
- To reduce the risk of severe personal injuries from unintentional starting:
 - Never touch a chain with your hand or any part of your body when the engine is running, even when the chain is not rotating.
- The chain continues to move for a short period after the throttle trigger is fully released. This is known as the "flywheel effect." To reduce the risk of serious personal injury from contact with the chain:
 - Wait for the chain to stop and engage the chain brake before walking with the chain saw or putting it down.
- Your chain saw is equipped with a chain catcher. It is designed to reduce the risk of personal injury in the event of a thrown or broken chain.
 - Never operate the chain saw with a damaged or missing chain catcher.
- Contacting foreign objects while sawing might cause the chain to break or be thrown, or cause the chain saw to propel dangerous debris or kick back in the direction of the operator. To reduce the risk of severe or fatal personal injury caused by contact with foreign objects:
 - Inspect the tree, log or branch before cutting.
 - Remove any foreign objects to ensure that the wood is free of materials such as nails, spikes, cables, or wires.
 - Before starting a cut, ensure that it can be completed without contacting surrounding objects or structures such as fencing or stonework.
- Check the chain saw, chain and guide bar at regular short intervals during operation, or immediately if there is a change in cutting behavior:
 - Shut off the engine and activate the chain brake.
 - Have damaged, broken or excessively worn anti-vibration elements replaced immediately. A "sponginess" in the feel of the saw, increased vibration or increased "bottoming" during normal operation may indicate damage, breakage or excessive wear.
 - Anti-vibration elements should always be replaced in sets. If you have any questions as to whether the anti-vibration elements should be replaced, consult your authorized STIHL servicing dealer.
 - Check the condition and tension of the chain. Look for damage to the chain or guide bar.
 - If the chain cannot be properly tensioned, or if other components of the saw are worn or damaged, stop work immediately and take your chain saw to an authorized STIHL servicing dealer for inspection, repair or maintenance.
- The muffler and other parts of the engine (e.g. fins of the cylinder, spark plug) become hot during operation and remain hot for a while after stopping the engine. To reduce the risk of burn injury:
 - Allow the engine to cool before inspecting, transporting or storing the chain saw. Avoid contacting the muffler while it is still hot following operation.
 - Keep the area around the muffler clean. Never operate your chain saw with missing muffler plugs. Remove excess lubricant and all debris such as pine needles, branches or leaves.
 - Allow the chain saw to cool on concrete, metal, bare ground or solid wood (e.g. the trunk of a felled tree) away from any combustible substances.
 - Do not continue work with a damaged or improperly mounted cylinder housing or a damaged/deformed muffler shell. It may interfere with the cooling process of the muffler.

- The muffler of this chain saw is furnished with a spark arresting screen. If your gas/oil mix ratio is correct (i.e., not too rich), this screen will normally stay clean as a result of the heat from the muffler and need no service or maintenance. To reduce the risk of fire from the emission of hot particles:
 - Never operate your chain saw with a missing or damaged spark arresting screen.
 - If you experience loss of performance and suspect a clogged screen, have your muffler serviced. Some state or federal laws or regulations may require a properly maintained spark arrester for certain uses.
- In California, it is a violation of § 4442 or § 4443 of the Public Resources Code to use or operate gasoline-powered tools on forest-covered, brush-covered or grass-covered land unless the engine's exhaust system is equipped with a complying spark arrester that is maintained in effective working order. The owner/operator of this product is responsible for properly maintaining the spark arrester. Other states or governmental entities/agencies, such as the U.S. Forest Service, may have similar requirements.
 - Do not use your chain saw around flammable materials or around vegetation or brush when there is a risk of fire or wildfire.
 - Contact your local fire authorities or the U.S. Forest Service if you have any question about laws or regulations relating to fire protection requirements.

DANGER

- To reduce the risk of electrocution:



- Never operate this chain saw in the vicinity of any wires or cables that may be carrying electric current.
- Never cut near power lines.
- Do not rely on the chain saw's insulation against electric shock.

6 Kickback and Other Reactive Forces

6.1 Reactive Forces

WARNING

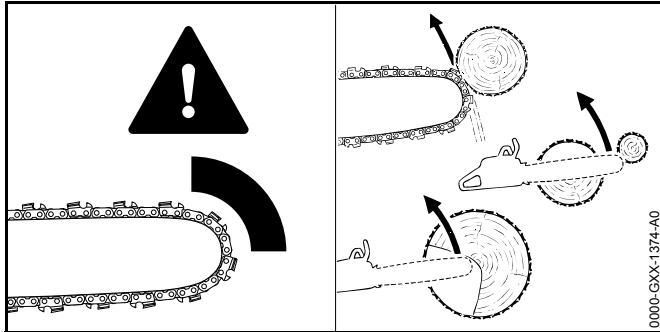
- Reactive forces may occur any time the chain is rotating. Reactive forces can cause serious or fatal personal injury.
- The powerful forces used to cut wood can be reversed and work against the operator. If the rotating saw chain is suddenly and significantly slowed or stopped by contact with any solid object such as a log or branch, or is pinched, the reactive forces may occur instantly.
- These reactive forces may result in loss of control, which, in turn, may cause serious or fatal injury.
 - An understanding of the causes of these reactive forces may help you avoid the element of surprise and loss of control. Surprise contributes to accidents.

The most common reactive forces are:

- Kickback
- Pull-in
- Pushback

6.2 Kickback

6.2.1 Kickback



⚠ WARNING



Kickback may occur when the moving chain near the upper quadrant of the bar nose contacts a solid object or is pinched.

- When this occurs, the energy driving the chain can create a force that moves the chain saw in a direction opposite to the chain movement at the point where the chain is slowed or stopped. This may fling the bar up and back in a lightning fast reaction mainly in the plane of the bar and can cause severe or fatal injury to the operator.
- Kickback may occur, for example, when the chain near the upper quadrant of the bar nose contacts the wood or is pinched during limbing or when it is incorrectly used to begin a plunge or boring cut.
- The greater the force of the kickback reaction, the more difficult it becomes for the operator to control the chain saw. Many factors influence the occurrence and force of the kickback reaction. These include chain speed, the speed at which the bar and chain contact the object, the

location and angle of contact, the condition of the chain, and how quickly the chain is slowed or stopped, among other factors.

- The type of bar and chain you use is an important factor in the occurrence and force of the kickback reaction. Some STIHL bar and chain types are designed to reduce kickback forces.
- STIHL recommends the use of reduced kickback bars and low kickback chains.

6.2.2 Chain Saw Kickback Standards

The following standards apply with respect to kickback:

- § 5.11 of ANSI/OPEI B175.1


This standard, referred to as "the chain saw kickback standard" in this chapter, sets certain performance and design criteria related to chain saw kickback.

To comply with the chain saw kickback standard:

- a) Chain saws with a displacement of less than 3.8 cu. in. (62 cm³):
 - must, in their original condition, meet a 45° computer-derived kickback angle when equipped with certain cutting attachments; and
 - must be equipped with at least two devices to reduce the risk of kickback injury, such as a chain brake, low kickback chain, reduced kickback bar, etc.
- b) Chain saws with a displacement of 3.8 cu. in. (62 cm³) and above:
 - must be equipped with at least one device designed to reduce the risk of kickback injury, such as a chain brake, low kickback chain, reduced kickback bar, etc.

The computer derived angles for chain saws below 3.8 cu. in. (62 cm³) displacement are measured by applying a computer program to test results from a kickback test machine.

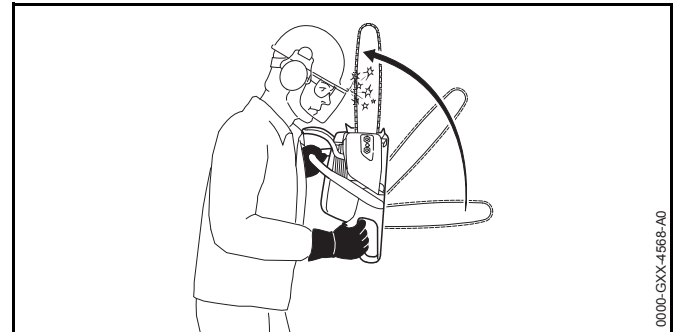
⚠ WARNING

- Compliance with the chain saw kickback standards does not mean that the bar and chain will rotate at most 45° in a real life kickback.
- The computer-derived angles of the chain saw standards may bear no relationship to actual kickback bar rotation angles that may occur in a real life cutting situation.
- Devices designed to reduce the risk of kickback injuries may lose some of their effectiveness when they are no longer in their original condition, especially if they have been improperly maintained.
 - Read and follow the safety precautions and instructions in this manual.
 - When working, always position the chain saw such that your body is clear of the cutting attachment and outside of the cutting plane.
 - Follow the maintenance and service instructions in this manual.
- For the chain saw to meet the chain saw kickback standards, use only the following cutting attachments:
 - Compliant bar and chain combinations listed in "Combinations of Guide Bars and Saw Chains,"  25;
 - Other replacement bar and chain combinations marked in accordance with the standards for use on the chain saw; or
 - Replacement chain designated "low kickback chain."

6.2.3 Devices for Reducing the Risk of Kickback Injury

The STIHL Quickstop chain brake and STIHL's green-labeled, reduced kickback bars and green-labeled, low kickback chains are designed to reduce the risk of kickback injury.

1. STIHL Quickstop Chain Brake



There are two mechanisms for activating the chain brake if it is in a properly maintained condition:

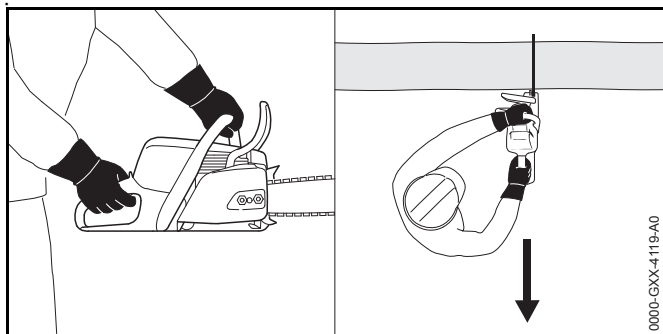
- **Manual Activation:** If a kickback occurs, the chain saw moves upwards toward the user in a rotating motion around the front handle. The brake is designed to engage if the left hand contacts the front hand guard, which is the activation lever for the brake, and pushes it forward.
- **Inertia Activation:** All STIHL chain saws are equipped with an inertia Quickstop chain brake. If the kickback impulse is strong enough, this alone is sufficient to engage the brake even without contacting the front hand guard.

⚠ WARNING

- To reduce the risk of kickback injury:
 - Never use a saw if the chain brake does not function properly.
 - When in doubt, take the saw to an authorized STIHL servicing dealer for inspection and/or repair.
 - Do not use the saw until the problem has been corrected.
- In a kickback situation, the front hand guard helps protect your left hand from contacting the chain. Removal of the front hand guard on a chain saw equipped with a

Quickstop chain brake will reduce this protection and also disable the chain brake, increasing the risk of kickback injury.

- Never operate your saw without a properly functioning front hand guard. If the front hand guard is missing, manual activation and inertia activation of the chain brake will be completely disabled.
- Never attempt to remove, modify or disable the front hand guard or any other component of the chain brake.



- No Quickstop chain brake or other chain brake device prevents kickback. These devices are designed to reduce the risk of injury, if activated, in certain kickback situations. To reduce the risk of severe personal injury or death from kickback:
 - Always follow the instructions in this manual and follow good working technique. For example, position your body clear of the cutting attachment whenever the engine is running. Stand to the left of the cut while bucking, outside of the cutting plane, see chapter "Holding and Controlling the Chain Saw", 5.6.3.
 - Maintain as much distance as possible, and never less than 45 degrees, between the bar and your body to ensure that the Quickstop chain brake has sufficient time to activate and stop the chain before reaching any part of your body.
 - Follow the other precautions provided in chapter 7.

- An improperly maintained chain brake may increase the time needed to stop the chain after activation, or may not activate at all. For the Quickstop chain brake to reduce the risk of kickback injury, it must be properly maintained and in good working order.
 - Read and follow the instructions on engaging and disengaging the chain brake, 12, and maintaining and repairing it, 12.3.

2. Low Kickback Saw Chain and Reduced Kickback Bars

STIHL offers a variety of guide bars and chains. STIHL reduced kickback bars and low kickback chains are designed to reduce the risk of kickback injury. Other chains are designed to achieve higher cutting performance or sharpening ease, but are more prone to kickback and may kick back with more energy, making it more difficult to control the chain saw.

STIHL has developed a color code system to help you identify the STIHL reduced kickback bars and low kickback chains.

- Cutting attachments with green labels on the packaging are designed to reduce the risk of kickback injury.
- Matching green-marked or labeled chain saws with green-labeled bars and green-labeled chains provides compliance with the computed kickback angle requirements of the chain saw standards when the products are in their original condition.
- Products with yellow labels are for users with extraordinary cutting needs, who have experience and specialized training for dealing with kickback.

STIHL recommends the use of its green-labeled reduced kickback bars, green-labeled low kickback chains and a chain saw equipped with a STIHL Quickstop chain brake for both experienced and inexperienced operators.

STIHL recommends green-labeled bars and chains for all chain saws. See your "STIHL Bar and Chain Information" leaflet for details.

New bar and chain combinations may be developed after publication of this literature, which will, in combination with certain chain saws, comply with the chain saw standards as well.

⚠ WARNING

- Use of bar and chain combinations not listed in the STIHL Bar and Chain Information leaflet (or other combinations that do not comply with the chain saw standards) may increase kickback forces as well as the propensity for kickback and increase the risk of kickback injury.
 - Please ask your authorized STIHL servicing dealer to properly match your chain saw with the appropriate bar and chain combination to reduce the risk of kickback injury.
- Reduced kickback bars and low kickback chains do not prevent kickback, but they are designed to reduce the risk of kickback injury.
 - STIHL recommends green-labeled bars and green-labeled chains for all chain saws and all users.
- Even if your saw is equipped with a Quickstop chain brake, a reduced kickback bar and/or low kickback chain, this does not eliminate the risk of injury from kickback.
 - Observe all safety precautions discussed in this manual to avoid kickback situations.

a. Low Kickback Saw Chain


Some types of chain have specially designed components to reduce the propensity for kickback and the force of kickback if it occurs. STIHL has developed low kickback chain for your chain saw.

A "low kickback chain" is a chain that has met the kickback performance requirements of ANSI/OPEI B175.1 when tested according to the provisions specified in ANSI/OPEI B175.1.

⚠ WARNING

- Some low kickback chains have not been tested with all chain saw and bar combinations. There are potential saw, bar and low kickback chain combinations which have not


been specifically certified to comply with the 45° computer-derived kickback angle of the chain saw standards.

- STIHL recommends green-labeled bars and green-labeled chains for all chain saws and all users.
 - Please see your STIHL Bar and Chain Information leaflet for the appropriate bar and chain combinations for your saw.
 - Please ask your authorized STIHL servicing dealer to properly match your chain saw with the appropriate bar and chain combination to reduce the risk of kickback injury.
- A blunt or incorrectly sharpened chain may reduce or negate the effectiveness of design features intended to reduce kickback energy and the propensity for kickback. Improper lowering or sharpening of the depth gauges or changing the shape of the cutters may increase the risk and the energy of kickback.
 - Always cut with a properly sharpened chain.
 - Read and follow the instructions on sharpening a chain,  22.5.
 - Any chain saw mounted with a bow guide is potentially very dangerous. The risk of kickback is increased with a bow guide because of the increased kickback contact area and because the design of bow guides places the upper portion of the bar closer to the operator's body. Using a low kickback chain will not significantly reduce the risk of kickback injury when used on a bow guide.
 - Never mount a bow guide on any STIHL chain saw.

b. Reduced Kickback Bars

STIHL green-labeled reduced kickback bars are designed to reduce the risk of kickback injury when used with STIHL green-labeled low kickback chains.

▲ WARNING

- When used with other, more aggressive chains, green-labeled reduced kickback bars may be less effective in reducing kickback.
 - STIHL recommends green-labeled bars and green-labeled chains for all chain saws and all users.
- For proper balance and to comply with the chain saw standards:
 - Use only bar lengths listed in this manual,  25.

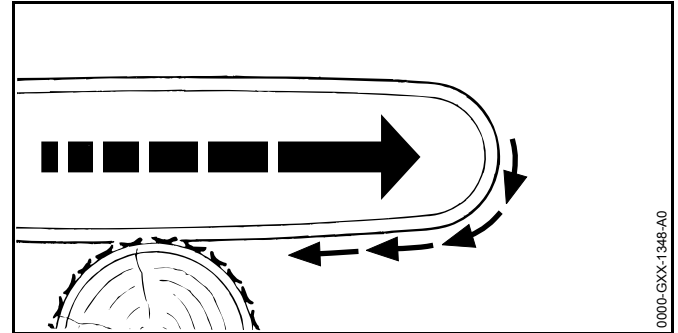
6.2.4 To Avoid Kickback

The best protection from personal injury that may result from kickback is to avoid kickback situations:

- 1) Hold the chain saw firmly and with both hands and maintain a secure grip, with your right hand on the rear handle and left hand on the front handle. Maintain a secure grip with thumbs and fingers encircling the chain saw handles. Don't let go.
- 2) Make sure the area in which you are cutting is free from obstructions.
- 3) Be aware of the location of the guide bar nose at all times. Never let the nose of the guide bar unintentionally contact any object. Do not cut limbs with the nose of the guide bar. Be especially careful near wire fences and when cutting small, tough limbs, small size brush and saplings which may easily catch the saw chain.
- 4) Do not overreach.
- 5) Do not cut above shoulder height.
- 6) Begin cutting and continue at full speed.
- 7) Cut only one log at a time.
- 8) Use extreme caution when re-entering a previous cut.
- 9) Do not attempt to plunge cut if you are not experienced with this cutting technique.
- 10) Be alert for shifting of the log or other forces that may cause the cut to close and pinch the saw chain.
- 11) Maintain saw chain properly. Cut with a correctly sharpened, properly tensioned saw chain at all times.

- 12) Stand to the side of the cutting path of the chain saw.
- 13) Use only replacement bars and chains specified by STIHL, or the equivalent.

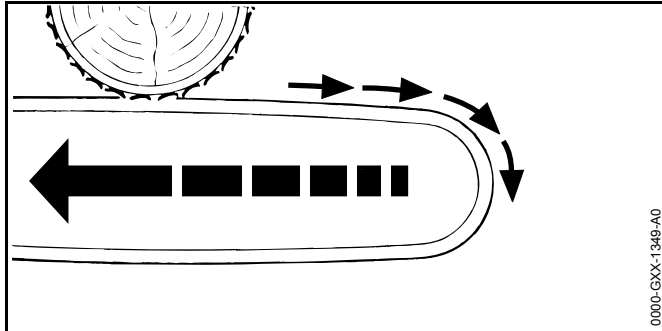
6.3 Pull-in



▲ WARNING

- Pull-in occurs when the chain on the bottom of the bar is suddenly stopped or significantly slowed when it is pinched, caught or encounters a foreign object in the wood. The reaction of the chain pulls the saw forward and may cause the operator to lose control, which, in turn, may cause serious or fatal injury. If the tip contacts an object, kickback may occur.
- Pull-in usually occurs when the bumper spike of the saw is not held securely against the tree or limb and when the chain is not rotating at full speed before it contacts the wood.
- To reduce the risk of pull-in:
 - Cut with a sharp, properly tensioned chain.
 - Always start a cut with the chain rotating at full speed and with the bumper spike in contact with the wood.
 - Use wedges to open the kerf or cut, where possible.
 - Use extreme caution when cutting small-size brush and saplings which may easily catch the chain, spring towards you or pull you off balance.

6.4 Pushback



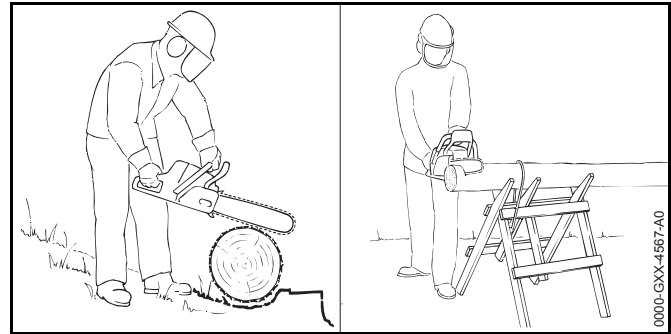
⚠ WARNING

- Pushback occurs when the chain on the top of the bar is suddenly stopped or significantly slowed when it is pinched, caught or encounters a foreign object in the wood. The reaction of the chain may drive the saw rapidly straight back toward the operator, causing loss of control which, in turn, may cause serious or fatal injury.
- Pushback usually occurs when the top of the bar is used for cutting.
- To reduce the risk of pushback:
 - Be alert to forces or situations that may cause material to pinch or bind the top of the chain.
 - Do not cut more than one log at a time.
 - Do not twist the chain saw when withdrawing the bar from an underbuck cut because the chain can pinch or bind.
 - Cut with a sharp, properly tensioned chain.

7 Proper Techniques for Basic Bucking, Limbing, Pruning and Felling

7.1 Bucking

Bucking is cutting a log into sections.

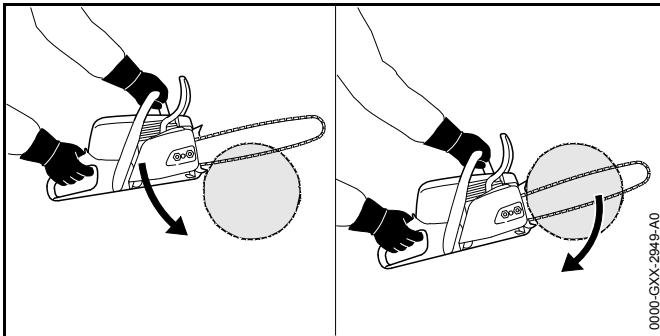


⚠ WARNING

- Be aware of rolling logs. Rolling logs can cause serious or fatal personal injury. To prevent a log from rolling while bucking:
 - Make sure the log is secure and will not roll downhill before starting your cut. If necessary, use sturdy wedges, shims or chocks.
 - If on a slope, always stand on the uphill side of the log.
 - Never stand on the log.
- To reduce the risk of kickback caused by contacting the nose of the guide bar with other logs or limbs:
 - Cut only one log at a time.
 - Do not cut logs in a pile.
- When cutting splintered wood, sharp splinters of wood may be caught and flung in the direction of the operator of the saw or bystanders.
 - Use caution when cutting splintered wood and always wear appropriate apparel and personal protective equipment, including eye protection.
 - Keep bystanders out of the work area.

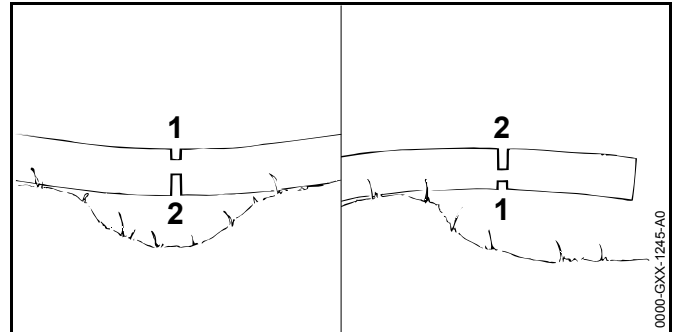
- When cutting smaller logs, make sure the log is properly supported to reduce the risk of personal injury from loss of control of the chain saw or movement of the log. Small logs can move when contacted by the teeth of the chain:
 - Place logs through "V-shaped" supports on top of a sawhorse whenever possible.
 - Never permit another person to hold the log.
 - Never stabilize the log with your leg or foot.
- Failing to control the saw at the bottom of a bucking cut can cause severe personal injury or death.
 - Prepare the saw to exit the bottom of the cut by reducing the feed force you exert on the saw.
 - Cushion the weight of the saw so that the bar and chain are not thrust downward into your lower body and legs as the bar/chain exits the cut.

When bucking:



- ▶ Position the bumper spike of the saw against the log and use it as a fulcrum.
- ▶ Continually repositioning the bumper spike while pushing the guide bar completely through the log.

7.2 Cutting Logs Under Tension




⚠ WARNING

- There is an increased danger of pinching the chain saw when cutting logs under tension. The tension in wood can also release suddenly and with great force, propelling the log, limb or chain saw into the saw operator, causing injury or loss of control.
- To reduce the risk of severe or fatal personal injury from reactive forces, including kickback, or loss of control when cutting wood under tension:
 - Always start with a relieving cut (1) at the compression side of the log, and then make a bucking cut (2) at the tension side.
 - If a pinch occurs that traps the bar/chain, shut off the engine and activate the chain brake before attempting to remove the saw from the log, exercising caution that the limb does not suddenly snap or release.
- Working in areas where logs, limbs and roots are tangled is extremely dangerous.
 - Drag the logs, limbs and other material to be cut into a clear area before cutting. Pull out exposed and cleared logs first. Do not cut where the tip of the bar may come into contact with other logs, limbs or leafy material.

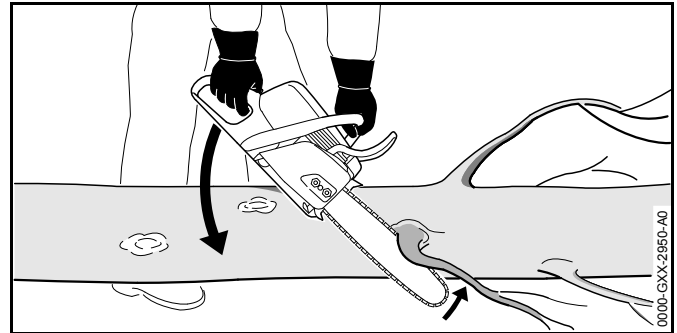
7.3 Limbing

Limbing is removing the branches from a fallen tree.

⚠ WARNING

- To prevent a log from rolling while limbing:
 - Start limbing by leaving the limbs on the lower, downhill side of the log to hold the log off the ground.
 - Stabilize the log with sturdy wedges, shims or chocks, if necessary.
 - Never stand on a log while limbing it.
- There is an increased danger of kickback during limbing operations, as limbs, leaves, stems and other material can entangle (bind) the cutters of the chain in the upper quadrant of the bar nose, causing the chain to slow or stop suddenly.
 - Do not use the nose of the bar to cut limbs.
 - Be extremely cautious and avoid contacting the log, the ground, other limbs and any leafy materials with the nose of the guide bar.
- When underbucking freely hanging limbs, a pinch may result or the limb may fall, hitting the operator or the chain saw and causing loss of control.
 - If a pinch occurs that traps or holds the bar or chain, shut off the engine and activate the chain brake before attempting to remove the saw from the cut, exercising caution that the limb does not suddenly snap or release.
- Limbs or logs under tension (spring poles) can spring back toward you with great force, striking you or causing you to lose control of the saw, resulting in severe or fatal injury.
 - Be extremely cautious when cutting limbs or logs that may be under tension.
 - Read and follow the warnings and instructions on cutting logs under tension,  7.2.

When limbing:



- ▶ Rest the chain saw on the log.
- ▶ Stand on the side of the log opposite the limb to be cut if it can be done safely.
- ▶ Push the guide bar at full throttle with a hinge motion against the branch.
- ▶ Cut the branch with the top or the bottom side of the guide bar, keeping the tip of the bar free of the log, the ground, other limbs and any leafy materials.

7.4 Pruning

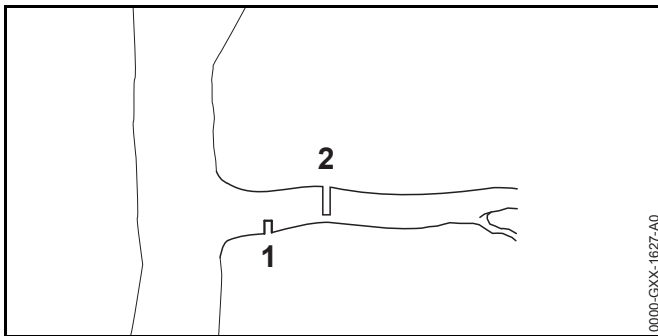
Pruning is selectively removing branches from a standing tree.

⚠ WARNING

- To reduce the risk of injury from loss of control:
 - Do not use the chain saw one-handed.
 - Never work on a ladder, on a roof, in a tree or while standing on any other insecure support.
 - Never operate the chain saw above shoulder height or cut overhead.
 - Do not overreach.
 - If you are unable to follow these instructions, you must use a different tool, such as a pole pruner, or have the work performed by a reputable tree service.

- To reduce the risk of injury:
 - Never stand directly underneath the branch you are cutting.
 - Watch for falling branches. As soon as the branch starts to fall, step aside and keep a sufficient distance away from the falling wood. A branch may spring back at you after it hits the ground.
 - Prior to beginning work, clear the work area of limbs and brush to reduce the risk of tripping and losing control of the chain saw.

To cut branches from a standing tree:



- ▶ Make the first cut (1) on the underside of the branch, approximately 2 in. (5 cm) from the trunk. Cut through approximately 1/4 of the diameter of the branch. This will help prevent the branch from splintering after it is cut.
- ▶ Make the second cut (2) on the top side of the branch, approximately 2 in. (5 cm) from the first cut.
- ▶ As soon as the branch starts to fall, withdraw the chain saw and let the branch fall to the ground.

7.5 Felling

7.5.1 Felling Conditions

Felling is cutting down a tree. Before felling a tree, carefully consider all of the conditions that may affect the direction of fall.

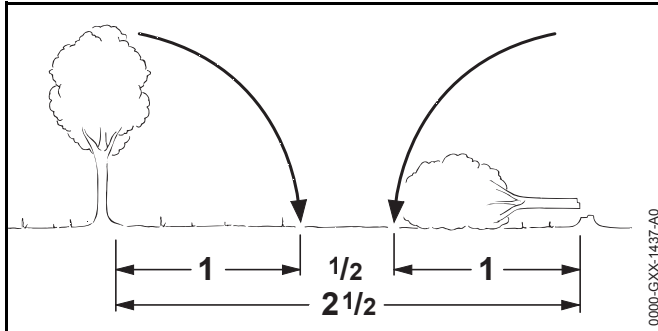
⚠ WARNING

- Before starting the felling operation, make sure the saw you are using has sufficient size, power and adequate fuel to complete the felling operation efficiently.
- There are a number of factors that may affect and change the intended direction of fall, e.g. wind direction and speed, lean of tree, surrounding trees and obstacles, sloping ground, one-sided limb or foliage structure, wood structure, decay, snow load, etc.
 - To reduce the risk of severe or fatal injury to yourself or others, look for, analyze and plan for these conditions prior to beginning the cut, and be alert for a change in direction while the tree is falling.
- Felling a tree that has a diameter greater than twice the effective cutting length of the guide bar requires use of either the sectioning felling back cut or plunge-cut method. These methods can be extremely dangerous because they involve the use of the nose of the guide bar and can result in kickback. Only properly trained professionals should attempt these techniques. If you are inexperienced with a chain saw, plunge-cutting should not be attempted. Seek the help of a qualified professional.
- Before starting any felling operation, make sure the saw you are using has sufficient size, power and adequate fuel to complete the felling operation. Never attempt to fell a large diameter tree with a chain saw that lacks the bar length, power or run-time to complete the task efficiently.
- Trees that are split, decayed or rotted inside or that are leaning or otherwise under tension are more likely to snap or split while being cut, causing serious or fatal injury to the operator or bystanders.
 - Always observe and be aware of the general condition of the tree.
 - Inexperienced users should never attempt to cut such trees.
 - Also look for broken or dead branches which could vibrate loose and fall on the operator during the felling operation. Certain types of trees are more susceptible to this condition, such as Douglas firs.

You should check with a reputable tree service if you have questions about the stability of the trees you will be cutting.

- When felling on a slope, the operator should stand on the uphill side if possible.

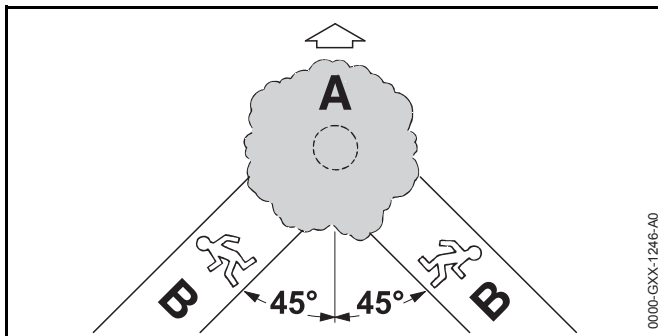
When felling:



- ▶ Maintain a distance of at least 2 1/2 tree lengths from the nearest person or structure.
- ▶ Take extra precautions in the vicinity of roads, railways and power lines. Inform the police, utility company or railway authority before beginning to cut.

7.5.2 Escape Path

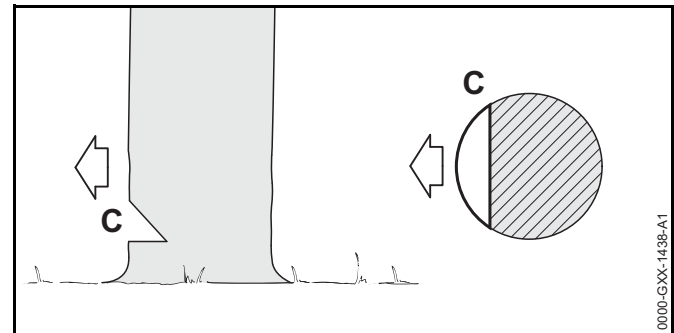
Before making your first cut, prepare an escape path:



- ▶ First clear limbs and brush from the area around the base of the tree. Remove vegetation from the lower portion of the tree with an axe.
- ▶ Next, establish at least two clear paths of escape (B) and remove any obstacles such as brush, small trees and other vegetation. These paths should lead away from the planned direction of the tree's fall (A) at a 45° angle from the expected fall line. Place all tools and equipment a safe distance away from the tree, but not on the escape paths.

7.5.3 Conventional Notch

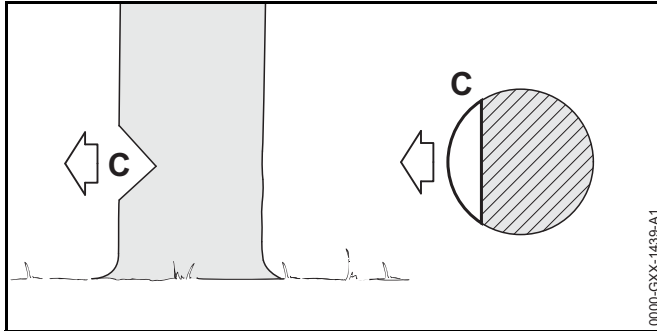
For a conventional notch:



- ▶ The felling notch determines the direction of the tree's fall. Make the felling notch perpendicular to the line of fall you have determined, close to the ground.
- ▶ Be aware of conditions such as wind, limb and foliage structure, tree lean, the slope of the terrain and other factors that could alter the direction of fall.
- ▶ Cut down at a 45° angle to a depth of approximately 1/5 to 1/4 of the trunk diameter.
- ▶ Make a horizontal cut that meets the bottom of the first cut.
- ▶ Remove the resulting 45° piece. The size of the wedge will vary by tree size. The larger the tree, the larger the wedge.

7.5.4 Open-faced Notch

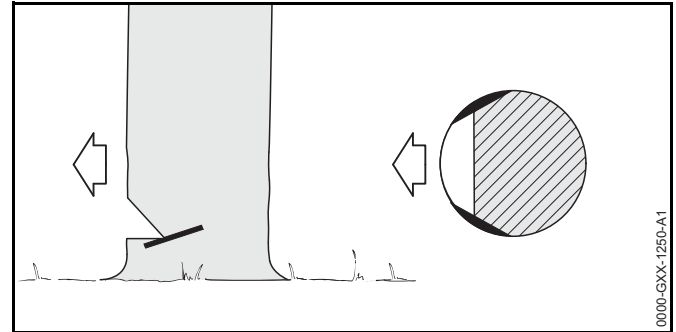
For an open-faced notch:



- ▶ The felling notch determines the direction of the tree's fall. Make the felling notch perpendicular to the line of fall you have determined, close to the ground.
- ▶ Be aware of conditions such as wind, limb and foliage structure, tree lean, slope of the terrain and other factors that could alter the direction of fall.
- ▶ Cut down at a 50° angle to a depth of approximately 1/5 to 1/4 of the trunk diameter.
- ▶ Make a second cut that meets the bottom of the first cut from below at a 40° angle.
- ▶ Remove the resulting 90° piece. The size of the wedge will vary by tree size. The larger the tree, the larger the wedge.

7.5.5 Sapwood Cuts

Sapwood cuts help prevent soft woods in summer from splintering when they fall:



- ▶ Make cuts at both sides of the trunk, at the same height as the subsequent felling back cut.
- ▶ Cut no deeper than the width of guide bar.

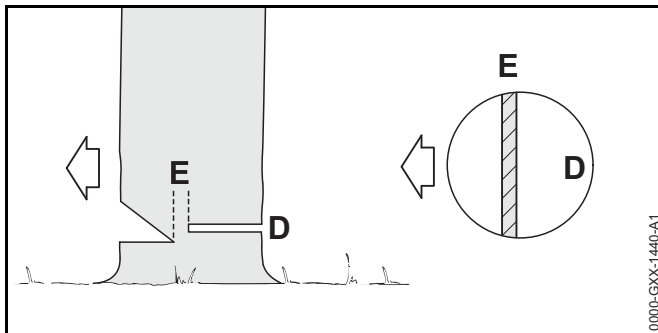
7.5.6 Felling Back Cut

⚠ WARNING

- If the tip of the bar contacts a wedge that has been used to help keep the kerf or cut open, it may cause kickback. Wedges should be of wood or plastic and never steel, which can damage the chain.
- Whichever felling method you select, never cut through the hinge when making your felling back cut. The hinge helps control the fall of the tree. Cutting through the hinge will eliminate the feller's ability to control the tree's fall and may result in serious or fatal personal injury or property damage.
- In order to reduce the risk of personal injury, never stand directly behind the tree when it is about to fall, since part of the trunk may split and come back towards the operator (barber-chairing), or the tree may jump backwards off the stump.

- Always keep to the side of the falling tree. When the tree starts to fall, withdraw the bar, release the trigger switch, engage the chain brake and walk away briskly on the pre-planned escape path.
- Watch out for limbs falling from the felled tree.
- Be extremely careful with partially fallen trees. When the tree hangs or for some other reason does not fall completely, set the saw aside and pull the tree to the ground with a cable winch, block and tackle or tractor. Trying to cut it down with your saw is extremely dangerous and may result in serious or fatal injury. Trees of this nature can fall suddenly and often are under tension.

The tree is brought down with the felling back cut (D).

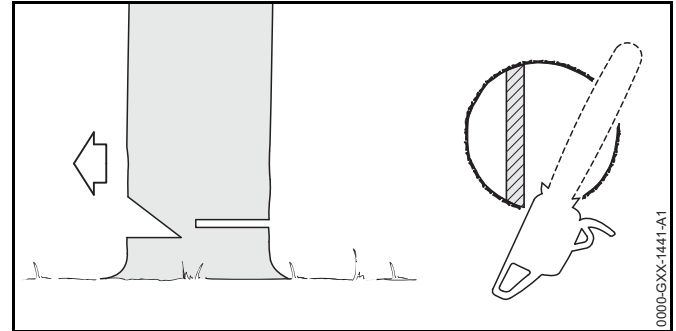


For both conventional and open-faced notches:

- ▶ Begin 1 to 2 in. (2.5 to 5 cm) higher than the bottom of the felling notch.
- ▶ Cut horizontally toward the felling notch.
- ▶ Leave approximately 1/10 of the diameter of the tree uncut. This is the hinge (E) that will help control the fall of the tree.
- ▶ Do not cut through the hinge because you could lose control of the direction of the fall.
- ▶ If necessary, wedges can be driven into the felling back cut to keep the cut open and to help control the direction of the fall. For example, if a tree tends to "sit back," causing a bind of the saw, wedges can be used to reposition it.

7.5.7 Fan Cut

Use the simple fan cut for making the felling back cut on trees with a diameter less than the effective cutting length of the guide bar.



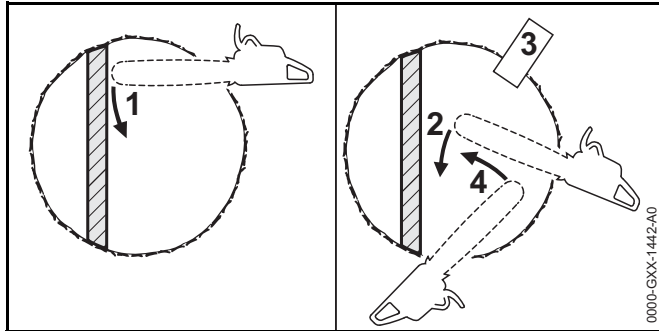
- ▶ After creating the felling notch, engage the bumper spikes of the chain saw directly behind the location of the intended hinge and 1 to 2 in. (2.5 to 5 cm) higher than the bottom of the felling notch. Pivot the saw around this point only as far as the back of the hinge. Do not cut through the hinge. The bumper spike should roll against the trunk until the back cut is complete.

7.5.8 Sectioning Method

⚠ WARNING

This method is extremely dangerous because it involves the use of the nose of the guide bar and can result in kickback. If you are inexperienced with a chain saw, plunge-cutting should not be attempted. Seek the help of a professional.

Use the sectioning method for making the felling back cut on trees with a diameter more than the effective cutting length of the guide bar.



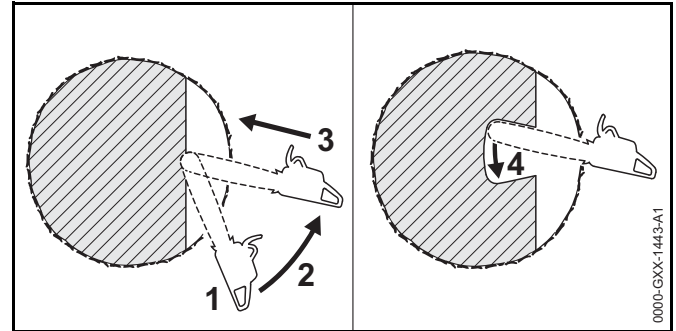
- ▶ After creating the felling notch, make the first part of the felling back cut with the guide bar fanning in toward the hinge and 1 to 2 in. (2.5 to 5 cm) higher than the bottom of the felling notch. Pivot the saw around this point only as far as the back of the hinge. Do not cut through the hinge.
- ▶ When repositioning for the next cut, keep the guide bar fully engaged in the kerf to keep the felling back cut straight. If the saw begins to pinch, insert a wedge to open the cut. On the last cut, do not cut the hinge.
- ▶ Avoid repositioning the saw more than necessary.

7.5.9 Plunge-cut Method

⚠ WARNING

This method is extremely dangerous because it involves the use of the nose of the guide bar and can result in kickback. If you are inexperienced with a chain saw, plunge-cutting should not be attempted. Seek the help of a professional.

Use the plunge-cut method for making the felling back cut on trees with a diameter more than twice the effective cutting length of the guide bar.



- ▶ After creating a large felling notch, begin the plunge cut by applying the lower portion of the guide bar nose to the tree at an angle. Cut until the depth of the kerf is about the same as the width of the guide bar. Next, align the saw in the direction in which the recess is to be cut.
- ▶ With the saw at full throttle, insert the guide bar in the trunk.
- ▶ Enlarge the plunge cut as illustrated in the illustration above.
- ▶ Follow the sectioning method described previously to make the felling back cut.

8 Maintenance, Repair and Storage

8.1 Warnings and Instructions








⚠ WARNING

- There are no user-authorized repairs for the chain saw. To reduce the risk of fire or other personal injury and property damage:
 - Users may carry out only the cleaning and maintenance operations described in this manual.
 - Strictly follow the cleaning and maintenance instructions in the appropriate sections of this instruction manual.
 - STIHL recommends that all repair work be performed by authorized STIHL servicing dealers.
- To reduce the risk of personal injury and property damage from unintentional starting:
 - Shut off the engine and engage the chain brake by moving the front hand guard forward before inspecting the chain saw or carrying out any cleaning, maintenance or repair work. Always shut off the engine before storing the chain saw, and any other time it is not in use.
- Proper maintenance will help maintain cutting performance and reduce the risk of personal injury caused by chain derailment and reactive forces.
 - Wear gloves when handling the saw chain.
 - Keep the chain, guide bar and sprocket clean.
 - Replace the chain and guide bar when they become worn or damaged.
 - Keep the chain sharp and at proper tension.
 - Tighten all nuts, bolts and screws after each use.
- Like an automobile brake, the chain brake on your chain saw incurs wear each time it is engaged. In order for the chain brake on your STIHL chain saw to function properly, it must be properly maintained. Return the chain saw to your STIHL servicing dealer for periodic inspection and servicing of the brake system according to the following schedule:
 - Heavy Usage: every 3 months
 - Moderate Usage: every 6 months
 - Occasional Usage: every 12 months
- Return the chain saw immediately for maintenance whenever the brake system cannot be thoroughly cleaned or there is a change in its operating characteristics.
- Use of parts that are not authorized or approved by STIHL may cause serious or fatal injury or property damage.
 - STIHL recommends that only identical STIHL replacement parts be used for repair or maintenance.
- Improper storage can result in unauthorized use, damage to the chain saw and an increased risk of fire and other personal injury or property damage.
 - Shut off the engine and engage the chain brake by moving the front hand guard forward before storing.
 - Store the chain saw indoors in a dry, secure place that cannot be accessed by children or other unauthorized users.

9 Before Starting Work

9.1 Preparing the Chain Saw for Operation

Before starting work:

- ▶ Mount the guide bar and saw chain,  10.2.1.
- ▶ Tension the chain,  10.3.
- ▶ Fill the chain oil tank,  11.2.
- ▶ Refuel the chain saw,  13.2.
- ▶ Check the chain brake,  16.1.
- ▶ Check the controls for proper function and condition,  16.2.
- ▶ Check the chain oil flow rate,  16.3.

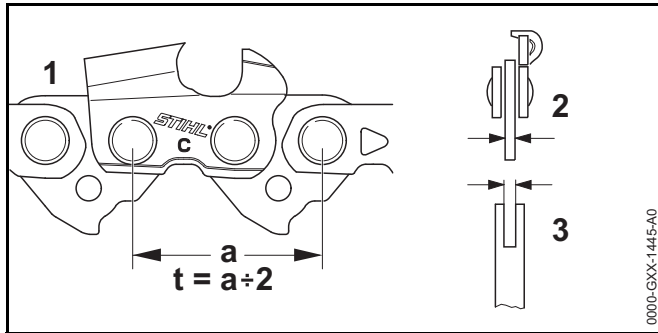
10 Assembling the Chain Saw

10.1 Cutting Attachment

! WARNING

If non-matching components are used, the cutting attachment will be damaged beyond repair after a short period of operation, and the chain could de-rail, resulting in serious or fatal personal injury.

A cutting attachment consists of the chain, guide bar and chain sprocket.



- The pitch (t) of the chain (1), chain sprocket and, if using a Rollomatic guide bar, the nose sprocket must match.
- The drive link gauge (2) of the chain must match the groove width of the guide bar (3).

10.2 Mounting and Removing the Guide Bar and Chain

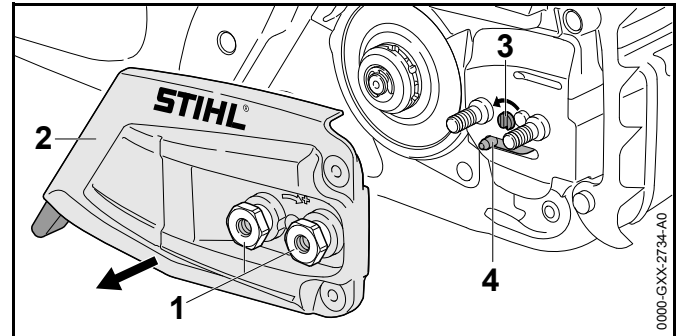
10.2.1 Mounting the Guide Bar and Chain

! WARNING

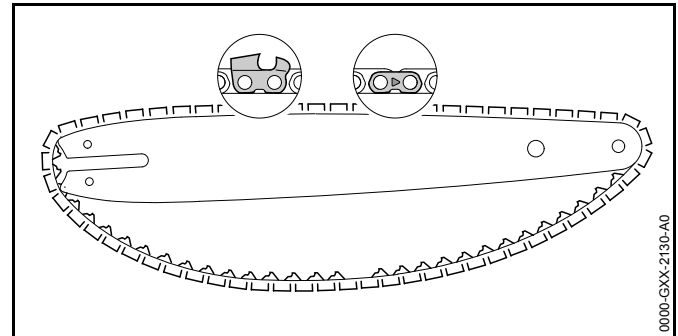
The chain has many sharp cutters. If they contact your flesh, they will cut you, even if the chain is not moving, 5.4. Always wear heavy-duty work gloves when mounting or otherwise handling the chain, 5.3.

To mount the guide bar and chain:

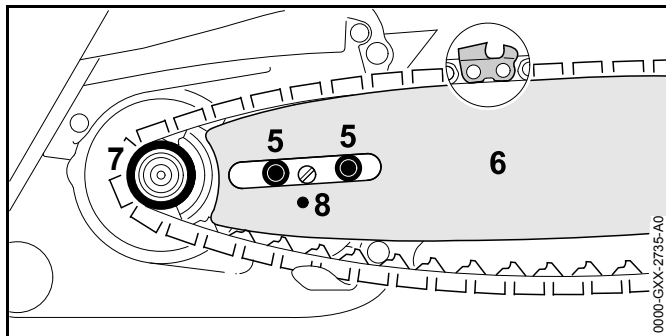
- ▶ Shut off the engine, 15.1.



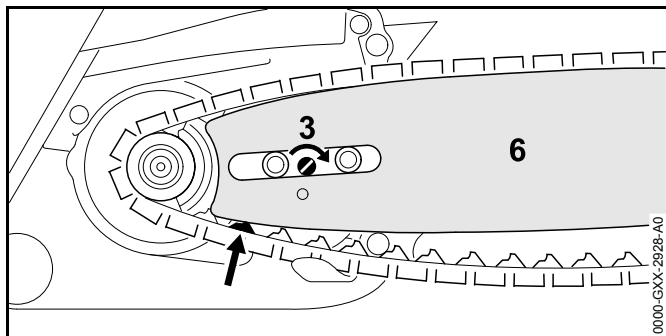
- ▶ Unscrew the nuts (1).
- ▶ Remove the chain sprocket cover (2).
- ▶ Turn the side chain tensioner (3) counter-clockwise until the tensioning gear (4) sits flush against the housing.



- ▶ Position the chain in the groove of the guide bar, starting at the tip.
- ▶ Make sure that the cutters in the groove on the top side of the guide bar face the tip of the bar. STIHL chains are manufactured with arrows on the tie straps to help the operator determine the proper direction of the chain. Arrows on the tie straps on the top of the bar must point toward the bar tip.



- ▶ Point the guide bar tip away from the chain sprocket (7).
- ▶ Place the chain around the chain sprocket.
- ▶ Slide the guide bar (6) over the collar screws (5). The head of the collar screw must protrude into the oblong hole.
- ▶ Fit the pin of the tensioning gear in the hole (8) of the guide bar.
- ▶ Disengage the chain brake, 12.2.



- ▶ Direct the drive links into the groove of the guide bar (6, arrow) while turning the side chain tensioner (3) clockwise until it stops.
The guide bar and chain must be firmly and securely mounted on the saw.
- ▶ Fit the sprocket cover on the saw so that it is flush with the housing.
- ▶ Turn the nuts clockwise until the chain sprocket cover is firmly attached to the saw.

10.2.2 Removing the Guide Bar and Chain

- ▶ Unscrew the nuts securing the chain sprocket cover.
- ▶ Remove the chain sprocket cover.
- ▶ Turn the side chain tensioner counter-clockwise until it stops and the chain is loose.
- ▶ Remove the guide bar and chain.

NOTICE

The top and bottom of the guide bar are symmetrical, and the bar may be mounted with the printing facing up or down. Flipping the guide bar each time the chain is sharpened or changed will help reduce uneven wear and improve its service life.

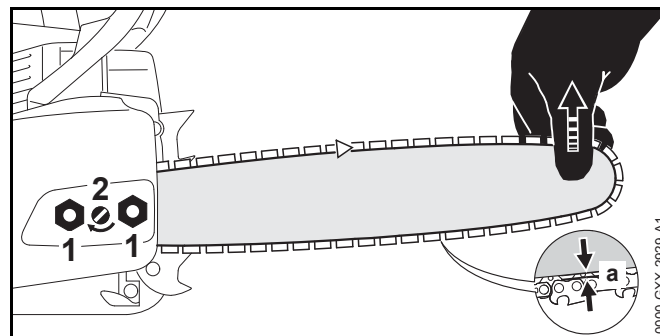
10.3 Tensioning the Chain

WARNING

To reduce the risk of severe personal injury from chain derailment, check chain tension frequently, 5.6. At operating temperatures, the chain stretches and sags. New chain tends to stretch more than used chain. Tension the chain so that the drive links cannot come out of the groove on the underside of the guide bar.

To properly tension the chain:

- ▶ Shut off the engine, 15.1.



- ▶ Loosen the nuts (1).
- ▶ Disengage the chain brake, 12.2.

- ▶ Lift the guide bar tip.
- ▶ Turn the side chain tensioner (2) clockwise to tighten the chain.

The chain is properly adjusted when the distance *a* between the underside of the guide bar and the chain is within 0.04 in. (1 mm) and 0.08 in. (2 mm) and can still be pulled easily along the bar by hand. Always wear gloves when handling the chain.

- ▶ If the chain cannot be moved along the guide bar, it is too tight.
 - Reduce the tension by turning the side chain tensioner counter-clockwise until the chain can move freely along the guide bar.
 - Ensure that the drive links remain in the groove and that the distance (*a*) between the underside of the guide bar and the chain is within 0.04 in. (1 mm) and 0.08 in. (2 mm).
- ▶ Once the chain is properly tensioned, lift the guide bar tip and tighten the nuts to secure the chain sprocket cover.
- ▶ Finally, ensure that the distance *a* between the underside of the guide bar and the chain is within 0.04 in. (1 mm) and 0.08 in. (2 mm).

NOTICE

Always release tension on the chain after finishing work. The chain contracts as it cools down. If it is not slackened, it can damage the drive shaft and bearings. Properly re-tension the chain before using the saw again.

11 Lubricating the Saw Chain and Guide Bar

11.1 Bar and Chain Lubricant

! WARNING

Never operate your saw without bar and chain lubrication. If the chain runs dry, the cutting attachment will be damaged beyond repair within a very short time. A damaged chain

may break, resulting in severe or fatal personal injury. Always check chain lubrication and the oil level in the tank before starting work and periodically during work.

! WARNING

Never use waste oil to lubricate your STIHL saw chain and guide bar. Repeated contact with waste oil can cause skin cancer. Moreover, waste oil is environmentally harmful.

Bar and chain oil lubricates and cools the rotating saw chain. The service life of the chain and guide bar depends on the quality of the lubricant. It is therefore essential to use only a specially formulated chain lubricant.

- ▶ For automatic and reliable lubrication of the chain and guide bar, use only an environmentally compatible quality chain and bar lubricant. STIHL recommends using rapidly biodegradable STIHL BioPlus.

NOTICE

Biodegradable chain oil must be resistant to aging, since it will otherwise quickly turn to resin. This results in hard deposits that are difficult to remove, especially in the area of the chain drive and chain. It may even cause the oil pump to seize.



NOTICE

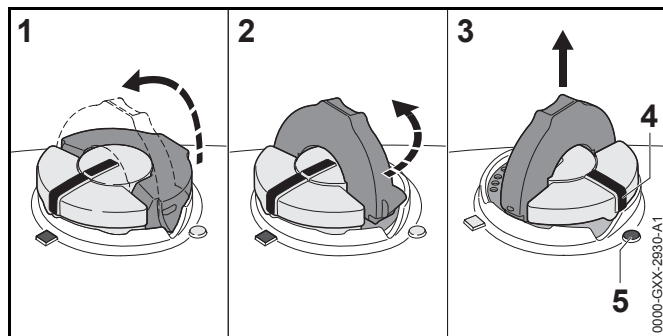
Waste oil does not have the necessary lubricating properties and is unsuitable for chain lubrication.

11.2 Filling the Chain Oil Tank

Opening and Filling the Chain Oil Tank

To fill the chain oil tank:

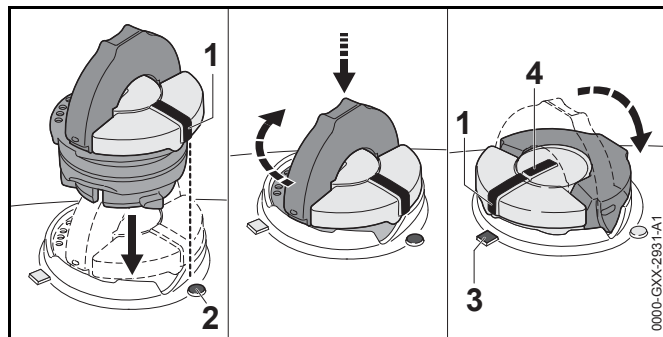
- ▶ Shut off the engine,  15.1.
- ▶ Engage the chain brake,  12.1.
- ▶ Position the chain saw on a level surface with the oil filler cap facing upwards.
- ▶ Clean the area around the oil filler cap with a slightly dampened cloth.



- ▶ Flip up the grip and press the cap down firmly (1).
- ▶ Turn the cap slowly counter-clockwise (2) to the open position (3). In the open position, the exterior positioning mark (4) on the cap will line up with the symbol (5) on the chain oil tank housing
- ▶ Remove the cap and fill the tank with bar and chain oil.
- ▶ Take care not to spill bar and chain oil while refilling the tank.
- ▶ Do not overfill the tank. Leave approximately 0.5 in. (13 mm) of air space.

Closing

To close the tank:



- ▶ Raise the grip on the top of the cap until it is upright at a 90° angle. Insert the cap in the chain oil tank opening with the exterior positioning mark (1) lined up with the open symbol (2) on the chain oil tank housing.

- ▶ Using the grip, press the cap down firmly while turning it clockwise to the closed position (approximately 1/4 turn). In the closed position, the interior (4) and exterior (1) positioning marks will align with the closed symbol (3) on the chain oil tank housing.
- ▶ Fold the grip flush with the top of the cap and check for tightness.
- ▶ If the grip does not lie completely flush with the cap or the detent on the grip does not fit in the corresponding recess in the tank opening, or if the cap is loose, the cap is not properly seated and you must repeat the above steps.

11.3 Adjusting the Flow of Bar and Chain Oil

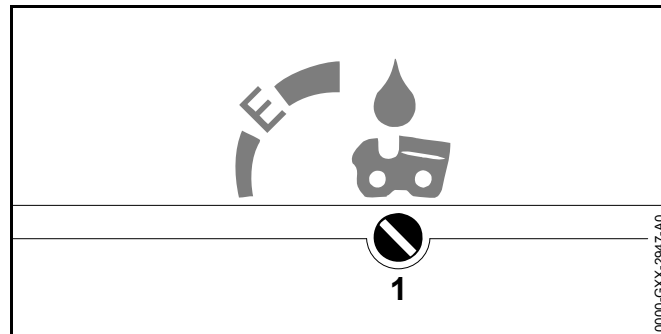
⚠ WARNING

Never operate your saw without bar and chain lubrication. If the chain runs dry, the cutting attachment will be damaged beyond repair within a very short time. A damaged chain may break, resulting in severe or fatal personal injury. Always check chain lubrication and the oil level in the tank before starting work and periodically during work.

This chain saw is equipped with an adjustable oil pump. The flow of bar and chain oil can be set for different guide bar lengths, types of wood and working techniques.

To adjust the flow of bar and chain oil:

- ▶ Shut off the engine, 15.1.
- ▶ Engage the chain brake, 12.1.



The chain oil feed rate is suitable for most applications when the oil flow adjusting screw (1) is in position **E** (Ematic).

To increase the flow:

- ▶ Turn the oil flow adjusting screw clockwise.


To reduce the flow:

- ▶ Turn the oil flow adjusting screw counter-clockwise.


12 The Chain Brake

12.1 Engaging the Chain Brake

WARNING

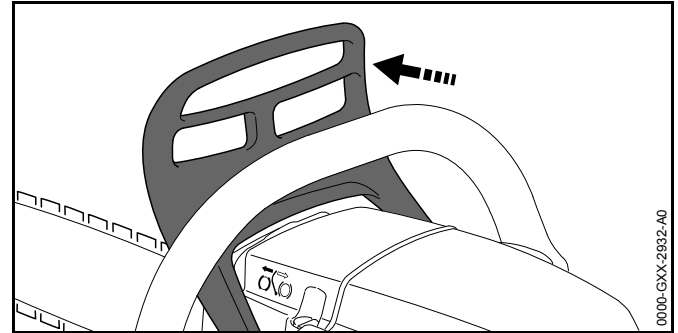
The chain brake will operate only if it has been properly maintained and the front hand guard has not been modified,  6.2.

WARNING

No chain brake device prevents kickback. This device is designed to reduce the risk of kickback injury, if activated, in certain kickback situations. For the chain brake to remain in good working order, it must be properly maintained,  6.2. In the event of a kickback, the chain brake is designed to engage if the left hand contacts the front hand guard and pushes it forward.

The chain brake is also designed to be activated by the inertia of the front hand guard if the forces are sufficiently high. When the brake is activated by inertia, the hand guard accelerates toward the bar nose, even if your hand is not behind the hand guard, e.g., during a felling back cut.

Engaging the chain brake locks the chain. To manually engage the chain brake:




- ▶ Push the front hand guard away from the front handle. You will hear an audible click when the front hand guard reaches the locked position.

NOTICE

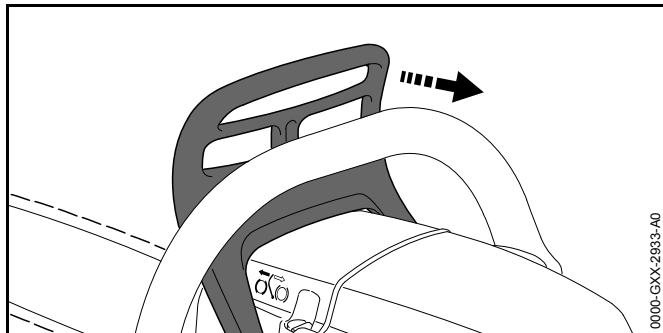
High revs with the chain brake engaged will quickly damage the powerhead and chain drive (clutch, chain brake). Always disengage chain brake before accelerating the engine and before starting work.

12.2 Disengaging the Chain Brake

WARNING

Before disengaging the chain brake and accelerating the engine, be sure that the guide bar and saw chain are clear of you and all other obstructions and objects, including the ground,  5.6.

Disengaging the chain brake unlocks the chain. To disengage the chain brake:



- ▶ Pull the front hand guard toward the front handle.

You will hear an audible click when the front hand guard reaches the unlocked position. In this position, the chain brake is disengaged and the engine can be accelerated.

12.3 Maintaining the Chain Brake

⚠ WARNING

An improperly maintained chain brake may increase the time needed to stop the saw chain after activation, or it may not activate or stop the chain at all, 6.2. The chain brake is subject to wear, depending on the amount of usage, conditions under which the saw is used and other factors. Excessive wear will reduce the effectiveness of the chain brake and can render it inoperable.

- ▶ Your chain saw should be returned to your authorized STIHL servicing dealer for periodic inspection and servicing of the brake system according to the following schedule:
 - Heavy Usage: every 3 months
 - Part-Time Usage: every 6 months
 - Occasional Usage: every 12 months

13 Mixing Fuel and Refueling the Chain Saw

13.1 Mixing Fuel

Information on Fuel

Your engine requires a mixture of high-quality gasoline and 2-cycle air cooled engine oil. This engine is certified to operate on mid-grade unleaded gasoline with a minimum octane rating of 89 and no more than 10 % ethanol and 2-cycle oil for air cooled engines at a mix ratio of 50:1.

If you mix the fuel yourself, STIHL recommends STIHL HP Ultra 2-Cycle Engine Oil.

NOTICE

Fuel with an octane rating below 89 may increase engine temperatures. This, in turn, increases the risk of piston seizure and damage to the engine. The chemical composition of the fuel is also important.

NOTICE

Some fuel additives not only detrimentally affect elastomers (carburetor diaphragms, oil seals, fuel lines, etc.), but magnesium castings and catalytic converters as well. This could cause running problems or damage the engine. For this reason STIHL recommends that you use only quality unleaded gasoline.

Information on Ethanol Content

⚠ WARNING

At correct idle speed, the saw chain should not move. To reduce the risk of personal injury from loss of control and/or contact with the running chain, ensure proper idle adjustment before using your chain saw, 17.

Gasoline with an ethanol content of more than 10% can cause running problems and major damage in engines and should not be used. For further details, see www.STIHLusa.com/ethanol.

The ethanol content in gasoline affects engine speed. It may be necessary to readjust the carburetor if you use fuels with varying ethanol content.

The idle speed and maximum speed of the engine change if you switch to a fuel with a much higher or lower ethanol content. This problem can be avoided by always using an ethanol-free fuel or fuel with consistent ethanol levels.

STIHL MotoMix

STIHL MotoMix is ethanol-free, has a high octane rating and ensures that you always use the right gasoline/oil mix ratio.

STIHL MotoMix uses STIHL HP Ultra 2-Cycle Engine Oil suited for high performance engines. For further details, see www.STIHLusa.com/ethanol.

STIHL recommends using MotoMix in your chain saw. If not using MotoMix, use only STIHL High Performance 2-Cycle Engine Oil or equivalent high quality 2-cycle engine oils that are designed for use in air cooled 2-cycle engines.

The use of non-seasonal gasoline blends may increase the potential for pressure to build in the fuel tank during operation. For example, using a winter blend during the summer will increase pressure in the fuel tank. Always use gasoline blends appropriate to the season, altitude and other environmental factors.

Do not use BIA or TCW rated (2-cycle water cooled) mix oils or other mix oils that state they are for use in both water cooled and air cooled engines (e.g., outboard motors, snowmobiles, chain saws, mopeds, etc.).

Mixing Fuel

WARNING

Take care when handling gasoline. Avoid direct contact with the skin and avoid inhaling fuel vapor. Anytime you are filling a container at the fuel pump, remove the container from your vehicle and place it on the ground before filling. To reduce the risk of sparks from static discharge and resulting fire and/or explosion, do not fill fuel containers that are sitting in or on a vehicle or trailer.

WARNING

Shaking fuel can cause pressure to build in the fuel container. To reduce the risk of fire and severe personal injury or property damage from fuel spraying, allow the fuel container to sit for several minutes before opening. Open the container slowly to release any residual pressures. Never open the fuel container in the vicinity of any ignition source. Read and follow all warnings and instructions that accompany your fuel container.

To properly mix fuel:


- ▶ If not using STIHL MotoMix, only mix sufficient fuel for a few days of work. Never mix more than a 30-day supply of fuel.
- ▶ Store the fuel mix in an approved fuel container.
- ▶ Depending on the required amount of fuel, determine the correct amounts of 2-cycle engine oil and gasoline in a mix ratio of 50:1. Examples for fuel mixes:
 - 1 US gals of gasoline: 2.6 oz. of 2-cycle engine oil
 - 2.5 US gals of gasoline: 6.4 oz. of 2-cycle engine oil
 - 5 US gals of gasoline: 12.8 oz. of 2-cycle engine oil
- ▶ When mixing, pour oil into the container first, and then add gasoline. Close the container and shake it by hand to ensure proper mix of oil and gasoline.
- ▶ Dispose of empty mixing-oil containers only at authorized disposal locations.

13.2 Refueling the Chain Saw



WARNING

Removing the fuel cap on a pressurized fuel tank can result in gasoline, vapors and fumes being forcefully sprayed out from the tank in all directions. The escaping gasoline, vapors

or fumes, sometimes referred to as fuel spraying or “geysering,” can cause serious personal injury, including fire and burn injury, or property damage,  5.5.



WARNING

Fuel spraying can occur when the engine is hot and the tank is opened while under pressure. It can occur in hot environments even if the engine has not been running. Spraying is more likely to occur when the fuel tank is half full or more. Always follow the fueling instructions in this manual:

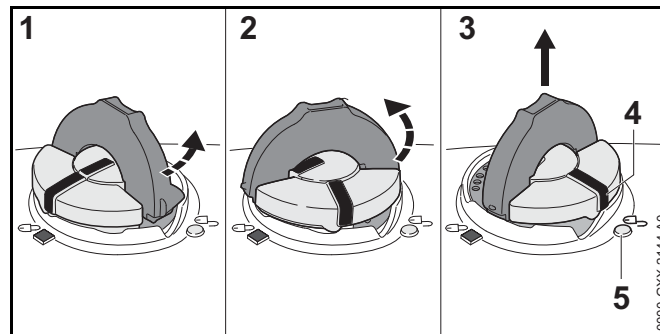
- Treat every fuel tank as if it is pressurized, particularly if it is half full or more.
- Always allow the chain saw to cool adequately before attempting to open the fuel tank or refueling. This will take longer in hot conditions.
- Never remove the cap by turning it directly to the open position. Turn it first approximately 1/8 of a turn counter-clockwise to the vent position to relieve any residual pressure.
- Never open the fuel tank while the engine is still hot or running.
- Never open the fuel tank or re-fuel the saw near any sparks, flames or other ignition sources.
- Pick the right fuel: use only good quality (89 octane or higher), fresh fuel blended for the season.
- Vapor lock: do not remove the fuel cap in an effort to relieve vapor lock. Removing the cap has no effect on vapor lock.
- Be aware that fuel spraying is more likely at higher altitudes.

Opening and Refueling

To refuel the chain saw:

- ▶ Shut off the engine,  15.
- ▶ Engage the chain brake,  12.1.
- ▶ Allow the chain saw to cool. Never attempt to remove the cap while the engine is still hot or running.

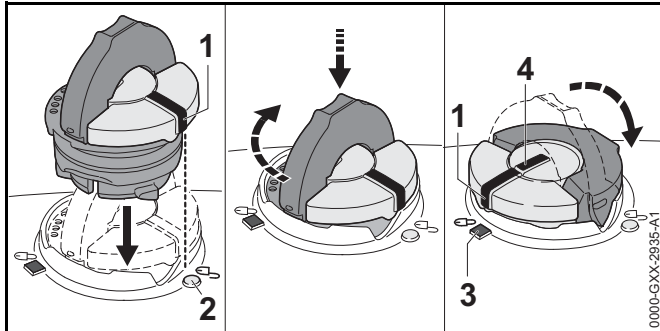
- ▶ Position the chain saw on a level surface with the fuel filler cap facing upwards.
- ▶ Clean the area around the fuel filler cap with a slightly dampened cloth.



- ▶ Flip up the grip and press the cap down firmly (1).
- ▶ While maintaining steady, downward pressure, turn the cap slowly counter-clockwise to the vent position (2), approximately a 1/8 turn of the cap. Never remove the cap by turning it directly to the open position.
- ▶ If any significant venting occurs, immediately re-seal the tank by turning the cap clockwise to the closed position. Allow the saw to cool further before attempting to open the tank.
- ▶ Turn the cap to the open position (3) only after the contents of the tank are no longer under pressure. In the open position, the exterior positioning mark (4) on the cap will line up with the "unlocked" symbol (5) on the fuel tank housing.
- ▶ Remove the fuel filler cap and fill the tank with fuel.
- ▶ Take care not to spill fuel while refilling the tank.
- ▶ Do not overfill the tank. Leave approximately 0.5 in. (13 mm) of air space.

Closing

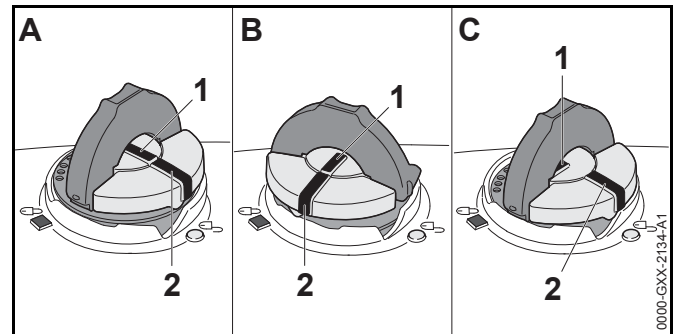
To close the tank:



- ▶ Raise the grip on the top of the cap until it is upright at a 90° angle. Insert the cap in the fuel tank opening with the exterior positioning mark (1) lined up with the "unlocked" symbol (2) on the fuel tank housing.
- ▶ Using the grip, press the cap down firmly while turning it clockwise to the closed position (approximately 1/4 turn). In the closed position, the interior (4) and exterior (1) positioning marks will align with the "locked" symbol (3) on the fuel tank housing.
- ▶ Fold the grip flush with the top of the cap and check for tightness.
- ▶ If the grip does not lie completely flush with the cap or the detent on the grip does not fit in the corresponding recess in the tank opening, or if the cap is loose, the cap is not properly seated and you must repeat the above steps.
- ▶ Also refer to the procedure below for returning the base of the cap to the proper starting position for installation.

If the filler cap will not engage into the tank housing

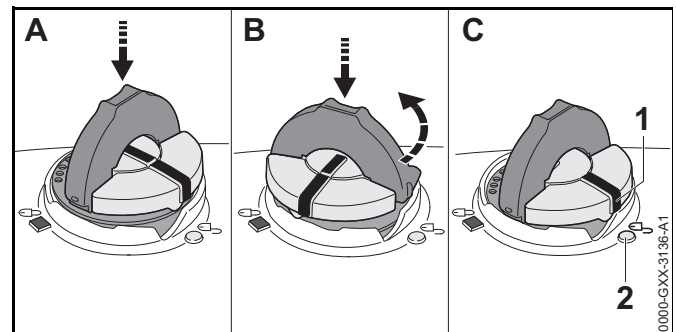
The base of the filler cap is rotated in relation to the upper part.



If the cap does not drop fully into the fuel tank opening when the positioning marks (1, 2) line up, or if it does not tighten properly when turned, the base of the cap may be prematurely rotated in relation to the top. Such misalignment can result from handling, cleaning or an improper attempt at tightening.

- Illustrations A and B: The base of the cap is prematurely rotated to the closed position and is not in the correct starting position for installation. The tank will not seal in this configuration. Note: in Illustrations A and B, the interior positioning marks (1) are in line with the exterior positioning marks (2).
- Illustration C: The bottom of the cap is in the correct starting position for installation. Note: in Illustration C, the interior positioning mark (1) is under the grip and not in line with the outer positioning mark (2).

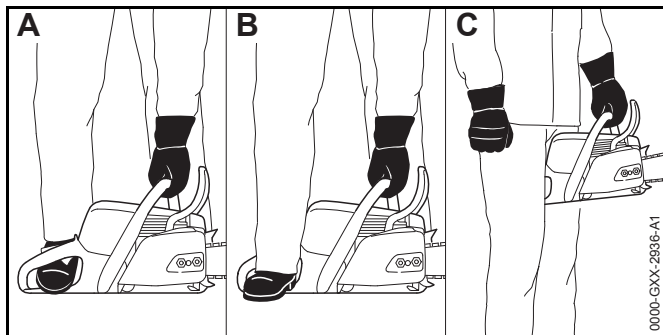
To return the base of the cap to the proper starting position for installation:



- ▶ Drop the cap into the fuel tank opening (A).
- ▶ Turn the cap counter-clockwise with slight pressure until it drops fully into the fuel tank opening (approx. 1/4 turn) (B). This will rotate the base of the cap into the correct starting position for installation (C). The exterior positioning mark (1) on the cap will line up with the "unlocked" symbol on the fuel tank housing. The interior positioning mark (3) should be under the grip and not in line with the outer positioning mark (1).
- ▶ Then, turn the cap clockwise, closing it normally.
- ▶ If your fuel cap still does not tighten properly, it may be damaged or broken. Stop using the unit and take it to your authorized STIHL dealer for repair.

14 Starting the Engine

14.1 Holding the Chain Saw



- ▶ When starting, hold the chain saw firmly in one of three ways:

- Position the chain saw on a level surface. Hold the saw firmly on the ground with your left hand on the front handle. Your thumb should be under the handle. Put the toe of your right boot into the rear handle and press down (Illustration A).
- Position the chain saw on a level surface. Hold the saw firmly on the ground with your left hand on the front handle. Your thumb should be under the handle. Put the heel of your right boot onto the rear hand guard and press down (Illustration B).
- Hold the saw firmly with your left hand on the front handle. Your thumb should be under the handle. Hold the rear handle tightly between your legs, just above the knees (Illustration C).

14.2 Starting Procedure

Pre-Starting Procedure

Follow the pre-starting procedure if one of the following applies:

- The engine has not been started and is cold.
- The engine started, but shut off when it was accelerated the first time.
- The engine shut off because the fuel tank ran dry.

When can the engine be started without the pre-starting procedure?


The engine can be started without preparation if it has been running for at least 1 minute and was only shut off for a short work break.

- ▶ Continue to "Starting the Engine," 14.4.


14.3 Pre-Starting Procedure

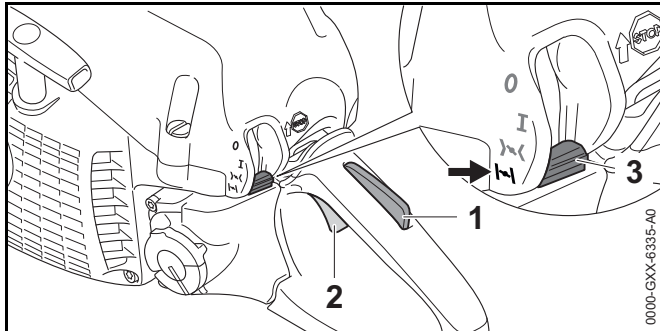
WARNING


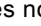

Never operate your chain saw if it is damaged, improperly adjusted or maintained, not completely and securely assembled or not functioning properly, 5.4. To reduce

the risk of personal injury, always wear proper clothing and protective apparel, including proper eye protection, when operating your chain saw,  5.3.

To perform the pre-starting procedure:


- ▶ Engage the chain brake,  12.1.
- ▶ Depress the decompression valve.




- ▶ Press down the throttle trigger lockout (1) and squeeze the throttle trigger (2) at the same time.
- ▶ Set the Master Control Lever (3) to position .
- ▶ Hold the chain saw firmly and pull the starter grip slowly with your right hand until you feel it engage.
- ▶ Pull the starter grip quickly and allow the starter rope to rewind several times until the engine fires and shuts off.
- ▶ Do not pull out the starter rope to full length and do not let the starter grip snap back. Guide it slowly back into the housing so that the starter rope can rewind properly.
- ▶ If the engine does not shut off: Set the Master Control Lever to position  so that the engine does not flood. The engine will shut off.
- ▶ Start the engine,  14.4.

14.4 Starting the Engine

WARNING


Never operate your chain saw if it is damaged, improperly adjusted or maintained, not completely and securely assembled or not functioning properly,  5.4. To reduce

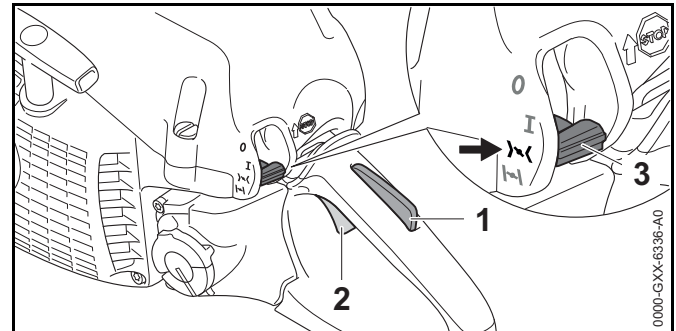
the risk of personal injury, always wear proper clothing and protective apparel, including proper eye protection, when operating your chain saw,  5.3.



Before starting the engine:

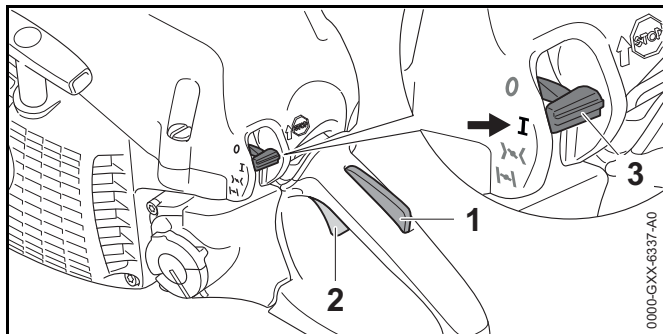
- ▶ Make sure you have a secure and firm footing.
- ▶ Stand upright.
- ▶ Always hold and operate the chain saw with your right hand firmly on the rear or control handle and your left hand firmly on the front handle. Always hold the chain saw with two hands in this manner, whether you are right-handed or left-handed.

To start the engine:

- ▶ Engage the chain brake,  12.1.
- ▶ Remove the chain scabbard.
- ▶ Depress the decompression valve.



- ▶ Press down the throttle trigger lockout (1) and squeeze the throttle trigger (2) at the same time.
- ▶ Set the Master Control Lever first to position  and then to position .
- ▶ Hold the chain saw firmly and pull the starter grip slowly with your right hand until you feel it engage.
- ▶ Pull the starter grip quickly and allow the starter rope to rewind several times until the engine runs.
- ▶ Do not pull out the starter rope to full length and do not let the starter grip snap back. Guide it slowly back into the housing so that the starter rope can rewind properly.



- ▶ Press down the throttle trigger lockout (1) and blip the throttle trigger (2). The Master Control Lever (3) will move to the run position **I** and the engine will settle down to idling speed.
- ▶ If the engine does not start after a few attempts, follow the pre-starting procedure (14.3) and try starting the engine again.
- ▶ Disengage the chain brake, 12.2. Your chain saw is ready for operation.
- ▶ If the saw chain rotates when the engine is idling, adjust the idle speed, 23.2.

NOTICE

Accelerating the engine while the chain brake is engaged or the chain is otherwise blocked (i.e., not able to turn) increases the load and will cause the clutch to slip continuously. This may occur if the throttle is depressed for more than a few seconds when the chain is pinched in the cut or the chain brake is engaged. To reduce the risk of overheating and damage to important components (e. g. clutch, polymer housing components), always disengage the chain brake before accelerating engine and before starting cutting work. The only exception to this rule is when you check operation of the chain brake, 16.1.

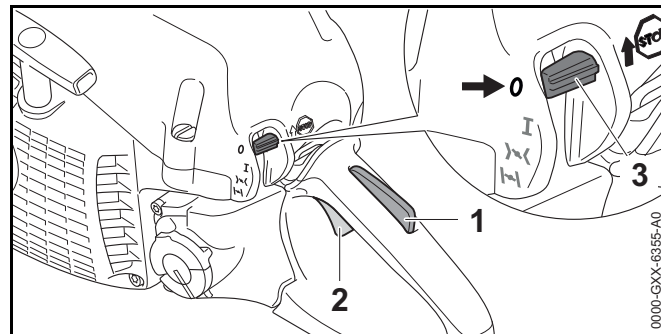
15 Shutting Off the Engine

15.1 Shutting Off the Engine

⚠ WARNING

The saw chain will continue to rotate for a short while after the throttle trigger is released. To avoid serious or fatal injury, avoid contact with the moving chain. To reduce the risk of personal injury from unintended activation or unauthorized use, shut off the engine, ensure the chain has stopped and engage the chain brake before walking with the saw or setting it down.

To shut off the engine:



- ▶ Release the throttle trigger (2) and throttle trigger lockout (1).
- ▶ Move the Master Control Lever (3) to position **0**.

16 Checking the Chain Saw


16.1 Checking the Operation of the Chain Brake

⚠ WARNING

Operating the saw with a missing, damaged, modified or improperly maintained chain brake increases the risk of severe or fatal injury from kickback. Never attempt to modify

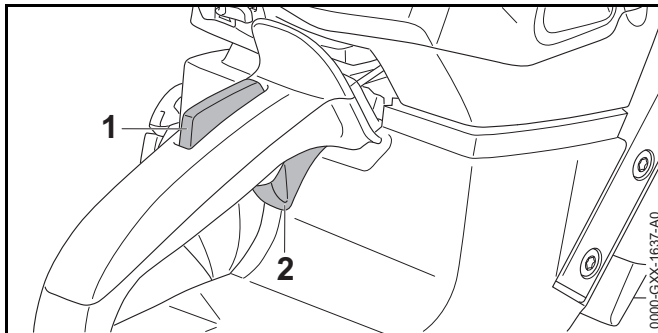
or disable the chain brake. Never operate a saw if the chain brake has been modified or does not function properly. If you detect a change in the operating characteristics of the chain brake, have your saw serviced immediately by an authorized STIHL servicing dealer.

Before starting work, check the operation of the chain brake:

- ▶ Run the engine at idle speed.
- ▶ Engage the chain brake,  12.1.
- ▶ Accelerate up to full throttle for no more than 3 seconds. A properly functioning chain brake prevents the chain from rotating.
- ▶ If the chain brake fails to prevent the chain from rotating, have the saw inspected and repaired by an authorized STIHL servicing dealer.

16.2 Testing the Controls


Before starting work, confirm that the throttle trigger lockout (1) and throttle trigger (2) are undamaged and functioning properly.




Throttle Trigger Lockout (1) and Throttle Trigger (2)

WARNING





To reduce the risk of serious or fatal injuries, keep hands, feet and other parts of the body away from the chain. Do not touch the saw chain while the engine is running. Never touch

a moving chain with your hand or any part of your body,  5.6.3. Keep bystanders out of the area while testing the controls.

To test the controls:

- ▶ Shut off the engine,  15.1.
- ▶ Attempt to depress the throttle trigger. If the trigger can be depressed without first depressing the throttle trigger lockout, take the chain saw to an authorized STIHL servicing dealer to be repaired before use.

Stopping the Engine



- ▶ Start the engine,  14.4.
- ▶ Move the Master Control Lever to position . The engine should stop and the Master Control Lever should spring back to position  when released.
- ▶ If the engine does not stop, move the Master Control Lever to position . The engine will stop.
- ▶ Take the chain saw to an authorized STIHL servicing dealer to be repaired before use.

16.3 Testing Chain Lubrication

WARNING

Never operate your saw without bar and chain lubrication. If the chain runs dry, the cutting attachment will be damaged beyond repair within a very short time. A damaged chain may break, resulting in severe or fatal personal injury. Always check chain lubrication and the oil level in the tank before starting work and periodically during work.

To confirm that the chain oil is flowing properly:



- ▶ Start the engine,  14.4.
- ▶ Disengage the chain brake,  12.2.
- ▶ Point the guide bar toward a bright surface.

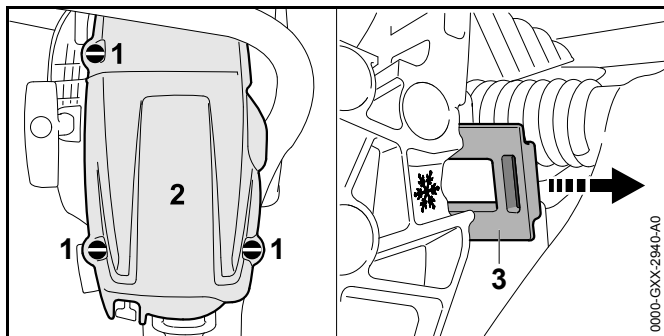
- ▶ Accelerate the engine.
The chain should throw off a small amount of oil.
- If the chain oil cannot be seen, check the oil level and refill the tank as necessary.
- ▶ Test the chain lubrication again.
- ▶ If chain oil is still not visible, the lubrication mechanism is not functioning. Take the saw to an authorized STIHL servicing dealer to be repaired before use.

17 Adjusting the Carburetor

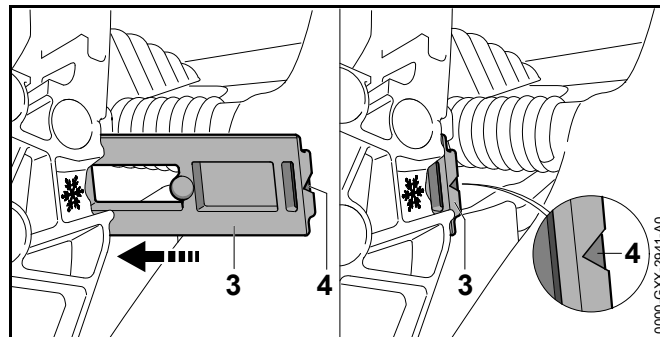
17.1 Winter Operation

The carburetor may ice up when the saw is used at ambient temperatures below 50 °F (10 °C). To prevent icing, the shutter must be converted to allow warm air from around the engine to heat the carburetor.

- ▶ Shut off the engine,  15.1.
- ▶ Engage the chain brake,  12.1.



- ▶ Open the shroud locks (1) by turning them 1/4 turn counter-clockwise with the combination wrench.
- ▶ Remove the shroud (2).
- ▶ Pull out the shutter (3).





- ▶ Re-insert the shutter as shown above.
- ▶ Push the shutter into the slot until it stops. The notch (4) will remain visible when the shutter is fully inserted.
- ▶ Place the shroud in position.
- ▶ Tighten the shroud locks until you hear an audible click.

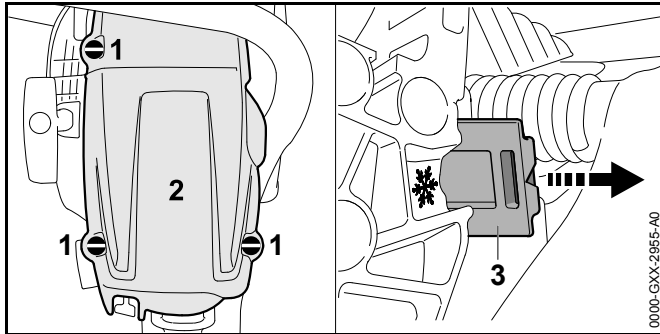
NOTICE

The winter operation setting should only be used in ambient temperatures below 50 °F (10 °C). Use at higher temperatures may cause the engine to overheat, resulting in permanent damage. Always remember to return the shutter to the configuration that is appropriate for ambient temperature conditions.

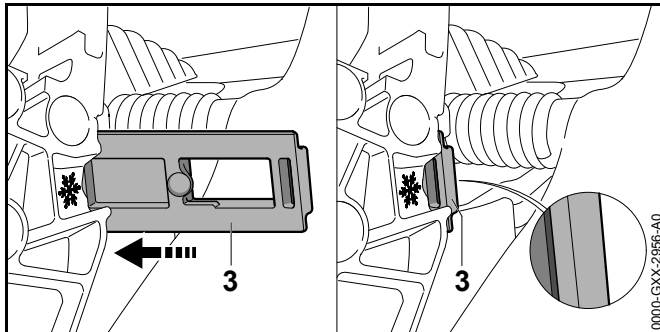
17.2 Summer Operation

The shutter must be set to summer mode when working at temperatures above 50 °F (10°C).

- ▶ Shut off the engine,  15.1.
- ▶ Engage the chain brake,  12.1.



- ▶ Open the shroud locks (1) by turning them 1/4 turn counter-clockwise with the combination wrench.
- ▶ Remove the shroud (2).
- ▶ Pull out the shutter (3).



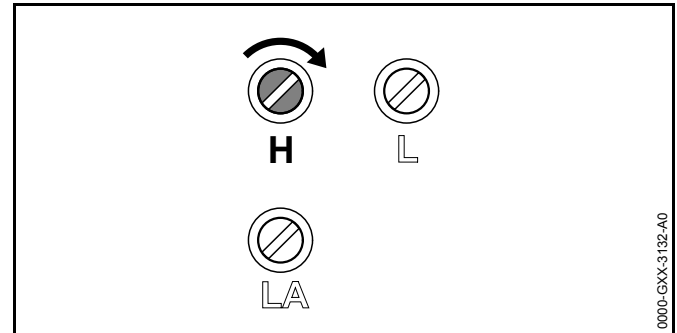
- ▶ Re-insert the shutter as shown above.
- ▶ Push the shutter into the slot until it stops.
- ▶ Place the shroud in position.
- ▶ Tighten the shroud locks until you hear an audible click.

17.3 Adjusting the Carburetor for Operation at High Altitude

If you use the chain saw at high altitude, a slight adjustment of the carburetor setting may be necessary.

- ▶ Start the engine, 14.4.
- ▶ Disengage the chain brake, 15.1.

- ▶ Warm up the engine by opening and closing the throttle for about 1 minute.



- ▶ Turn the high speed screw (H) slightly clockwise (leaner) until the engine delivers optimum power again. Do not turn further than stop.

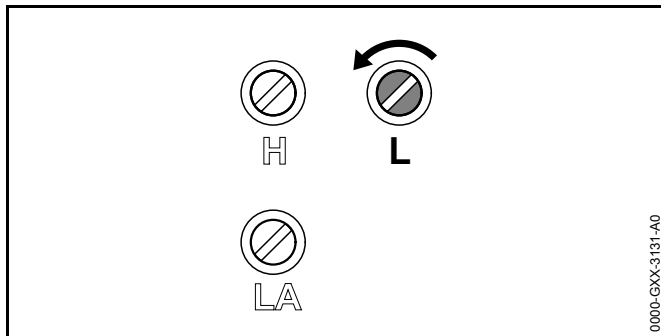
NOTICE

If the setting is too lean there is a risk of engine damage due to insufficient lubrication and overheating. After returning from high altitude, reset the carburetor to the standard setting.

17.4 Adjusting the Carburetor for Operation at Temperatures Below 14 °F (- 10 °C)

If you use the chain saw at temperatures below 14 °F (- 10 °C), the engine may not accelerate properly. A slight adjustment of the carburetor setting may be necessary.

- ▶ Start the engine, 14.4.
- ▶ Disengage the chain brake, 15.1.
- ▶ Warm up the engine by opening and closing the throttle for about 1 minute.



- ▶ Turn the low speed screw (L) a 1/4 of a turn counter-clockwise.
- ▶ It is usually necessary to change the setting of the idle speed screw (LA) after every correction to the low speed screw (L). If the saw chain runs continuously or the engine stops, adjust the idle speed, 23.2.

NOTICE

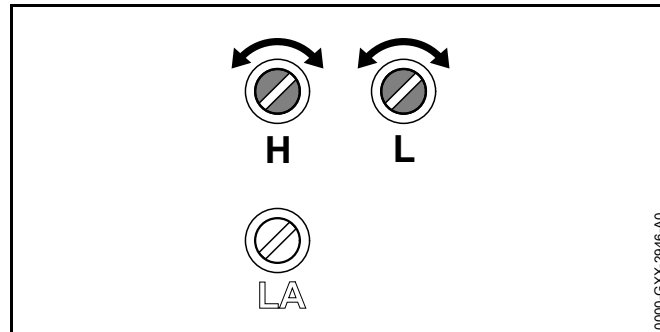
Engine power may drop noticeably if the saw is subsequently used at temperatures above 14 °F (- 10 °C) again. Reset the carburetor to the standard setting.

17.5 Standard Carburetor Setting

The carburetor comes from the factory with a standard setting. This setting provides an optimum fuel-air mixture under most operating conditions.

To return the carburetor to the standard setting:

- ▶ Shut off the engine and engage the chain brake.



- ▶ Turn the high speed screw (H) counter-clockwise as far as stop.
- ▶ Turn the low speed screw (L) clockwise as far as stop, then turn it back a 1/4 turn counter-clockwise.

18 After Finishing Work

18.1 Preparing for Transportation or Storage

WARNING

To reduce the risk of personal injury from unintended activation or unauthorized use, shut off the engine and engage the chain brake before transporting the chain saw or putting it down. To reduce the risk of injuries from the sharp cutters on the chain, always cover the guide bar with the chain scabbard before transporting or storing the saw.

To prepare the saw for transportation or storage:

- ▶ Shut off the engine, 15.
- ▶ Release the chain brake and loosen the chain, 12.2.
- ▶ Re-engage the chain brake.
- ▶ Slide a chain scabbard over the guide bar so that it covers the entire guide bar.
- ▶ Before using the saw, remember to re-tension the chain.

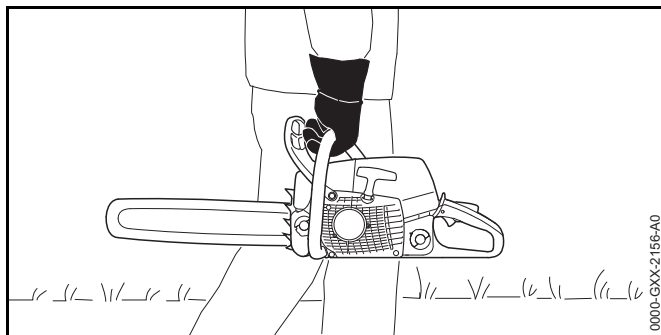
NOTICE

The chain contracts as it cools down. Failing to loosen the chain after finishing work can damage the drive shaft and bearings.

19 Transporting

19.1 Transporting the Chain Saw

When transporting the chain saw:



- ▶ Slide a chain scabbard over the guide bar so that it covers the entire guide bar.
- ▶ When transporting the saw by hand, hold it by the front handle with the guide bar pointing backwards, opposite the direction in which you are walking. Place the muffler away from the body.
- ▶ When transporting the saw in a vehicle, cover the guide bar with a chain scabbard. Secure and position the chain saw to prevent turnover, fuel spillage, impact and damage.

Your saw comes standard with a chain scabbard that matches the cutting attachment. If you use guide bars of different lengths on the saw, the length of the chain scabbard must be matched to the guide bar to reduce the risk of injury. It should cover the full length of the guide bar.

20 Storing

20.1 Storing the Chain Saw

! WARNING

Store the chain saw indoors in a dry, secure place that cannot be accessed by children or other unauthorized users, 5.4. Improper storage can result in unauthorized use and damage to the chain saw, 5.4.

When storing the saw short-term:

- ▶ Wait for the engine to cool down.
- ▶ Keep the machine with a full tank of fuel in a dry place, well away from sources of ignition, until you need it again.


When storing the saw for three months or longer:

- ▶ Drain and clean the fuel tank in a well ventilated area. Dispose of fuel properly in accordance with local environmental requirements.
- ▶ Run the engine until it shuts off. The carburetor will be dry. This helps prevent the carburetor diaphragms from sticking together.
- ▶ Remove the chain and guide bar.
- ▶ Clean and spray the guide bar with a resin solvent, such as STIHL Resin Remover and Lubricant.
- ▶ Clean the saw, 21.1.
- ▶ Clean the air filter, 21.3.
- ▶ Fill up the chain oil tank, 11.2.
- ▶ Store the saw indoors in a dry and secure location, out of the reach of children and other unauthorized persons.



21 Cleaning

21.1 Cleaning the Chain Saw

⚠ WARNING


To reduce the risk of personal injury from unintended activation, shut off the engine and engage the chain brake before carrying out any cleaning work,  8. Users of this chain saw should carry out only the cleaning described in this manual.

To clean the chain saw:




- ▶ Shut off the engine,  15.
- ▶ Engage the chain brake,  12.1.
- ▶ Clean the chain saw's polymer components with a slightly dampened cloth. Do not use detergents or solvents. They may damage the polymer components.
- ▶ Remove the shroud and clean the cylinder fins.
- ▶ Remove the sprocket cover and clean the area around the chain sprocket with a slightly dampened cloth or resin solvent, such as STIHL Resin Remover & Lubricant.
- ▶ Do not use a pressure washer to clean the chain saw or otherwise spray it with water or other liquids.

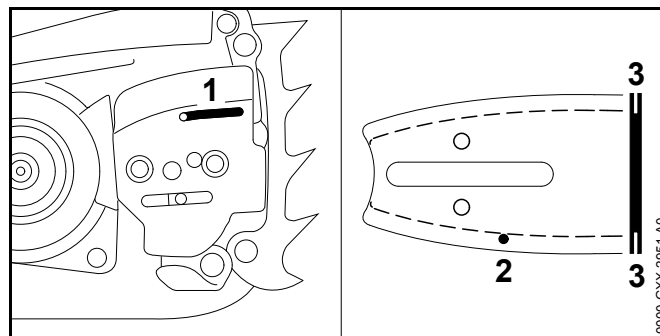
21.2 Cleaning the Guide Bar and Saw Chain

⚠ WARNING

To reduce the risk of personal injury from unintended activation, shut off the engine and engage the chain brake before carrying out any cleaning work,  8. Users of this chain saw should carry out only the cleaning described in this manual. To help prevent injuries, always wear heavy-duty work gloves when handling the chain.

To properly clean the guide bar and chain:

- ▶ Shut off the engine,  15.
- ▶ Engage the chain brake,  12.1.
- ▶ Remove the guide bar and the chain,  10.2.2.





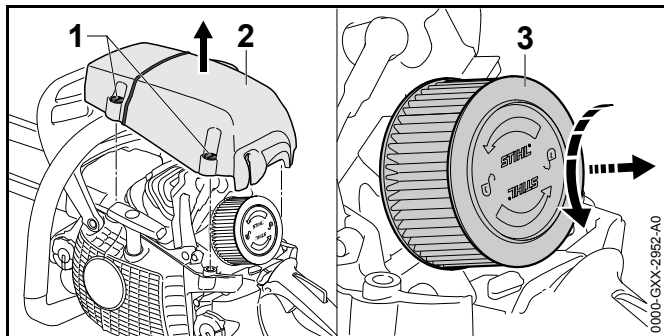
- ▶ Clean the oil outlet duct (1), oil inlet bore (2) and groove (3) with a brush, a slightly dampened cloth or resin solvent, such as STIHL Resin Remover & Lubricant. Do not use detergents.
- ▶ Clean the chain with a brush, a slightly dampened cloth or resin solvent. Do not use detergents.
- ▶ Do not use a pressure washer to clean the guide bar or chain or otherwise spray them with water or other liquids.

21.3 Cleaning the Air Filter

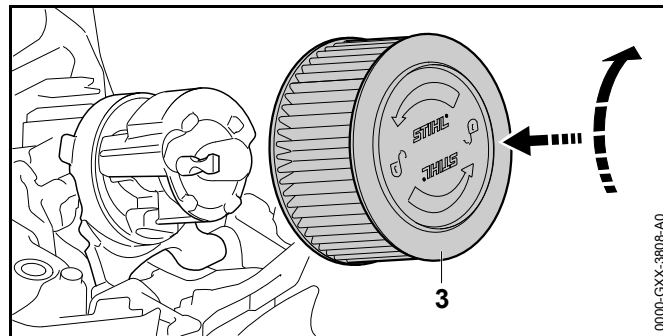
Very fine dust can collect in the air filter and block proper air flow. This dust cannot be removed by simply brushing the air filter or knocking it out. The air filter must be cleaned with the STIHL special cleaner or another cleaning agent with a pH value higher than 12.

To clean the air filter:

- ▶ Shut off the engine,  15.1.
- ▶ Engage the chain brake,  12.1.



- ▶ Open the shroud locks (1) by turning them 1/4 turn counter-clockwise with the combination wrench.
- ▶ Remove the shroud (2).
- ▶ Clean the area around the air filter (3) with a damp cloth or soft brush.
- ▶ Rotate the air filter a 1/4 turn counter-clockwise by hand.
- ▶ Remove the air filter.
- ▶ Rinse away coarse dirt from the outside of the air filter under running water. Never spray the air filter with a pressure washer.
- ▶ If the air filter is damaged, replace it.
- ▶ Spray the outside and inside of the air filter with STIHL special cleaner or a cleaning agent with a pH value higher than 12.
- ▶ Allow STIHL special cleaner or cleaning agent to act for 10 minutes.
- ▶ Use a soft brush to clean the outside of the air filter.
- ▶ Rinse the outside and inside of the air filter under running water. Never spray the air filter with a pressure washer.
- ▶ Allow the air filter to air dry.



- ▶ After the air filter (3) has dried thoroughly, push it into place by hand and rotate it clockwise until it engages in position.
The "STIHL" logo should be horizontal.
- ▶ Place the shroud in position.
- ▶ Tighten the shroud locks until you hear an audible click.

⚠ WARNING

Cleaning agent may cause irritation if it contacts the skin or eyes. Avoid contact. Read and follow all safety precautions that accompany the cleaning agent. In case of contact with the skin: Wash affected areas with plenty of water and soap. In case of contact with the eyes: Rinse eyes with plenty of water for at least 15 minutes and seek medical advice.

NOTICE

To reduce the risk of damage, never use a tool to install or remove the air filter.

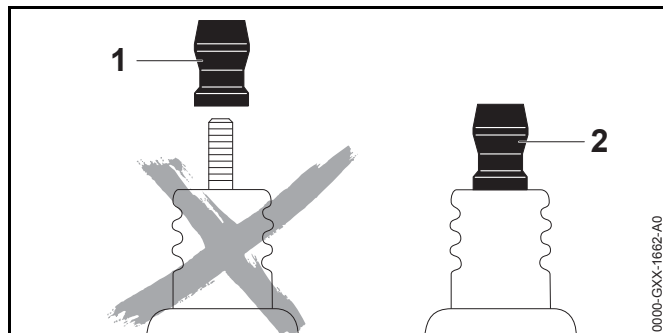
NOTICE

Exposure to high temperatures and oil can damage the air filter and reduce filtering efficiency. Allow the air filter to air dry away from external heat sources. Keep the air filter away from oil.

21.4 Cleaning the Spark Plug

⚠ WARNING

To reduce the risk of fire and burn injury, use only spark plugs authorized by STIHL. Always press the spark plug boot snugly onto the spark plug terminal.



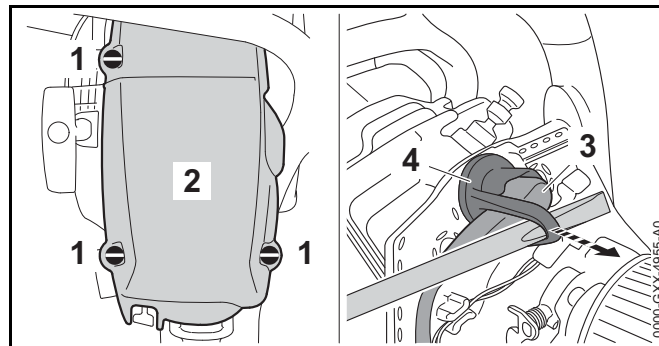
⚠ WARNING

Do not use a spark plug with a detachable SAE adapter terminal (1). Arcing may occur that could ignite combustible fumes and cause a fire. This can result in serious injuries or damage to property. Only use resistor type spark plugs with solid, non-threaded terminals (2).

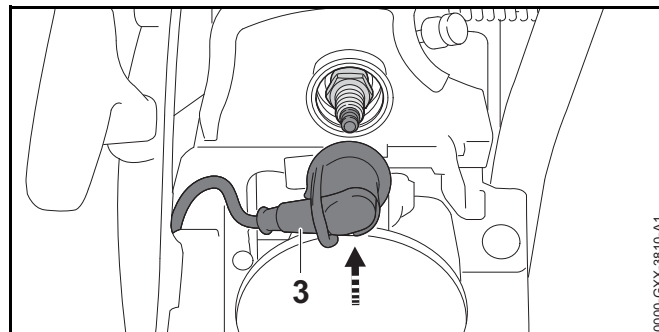
Using the wrong fuel mix (too much engine oil in the gasoline), a dirty air filter, and unfavorable running conditions (running for extended periods at partial throttle) can affect the condition of the spark plug and cause deposits to form on the insulator nose, degrading performance.

To clean the spark plug:

- ▶ Shut off the engine, 15.1.
- ▶ Engage the chain brake, 12.1.
- ▶ Allow the chain saw to cool down.



- ▶ Open the shroud locks (1) by turning them 1/4 turn counter-clockwise with the combination wrench.
- ▶ Remove the shroud (2).
- ▶ Remove the spark plug boot (3) by pulling the tab (4).
- ▶ Clean the area around the spark plug with a cloth or soft brush.
- ▶ Unscrew the spark plug.
- ▶ Clean the spark plug with a cloth.
- ▶ If the spark plug is corroded, install a new spark plug.



- ▶ If damp, dry the spark plug thoroughly before re-inserting it.
- ▶ Insert the spark plug and tighten it down firmly.
- ▶ Connect the spark plug boot (3) and press it down firmly.
- ▶ Place the shroud in position.
- ▶ Tighten the shroud locks until you hear an audible click.

21.5 Cleaning the Spark Arresting Screen



⚠ WARNING

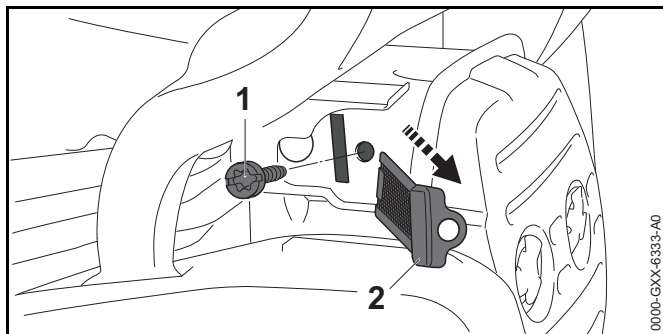
To reduce the risk of fire from the emission of hot particles, never operate your chain saw with a missing or damaged spark arresting screen. Never modify your muffler or spark arresting screen. To reduce the risk of fire from the buildup of debris such as pine needles, branches or leaves, make sure the muffler plugs are in place before starting work.

NOTICE

Some state or federal laws or regulations may require a properly maintained spark arrester for certain uses.

To clean the spark arrester screen:

- ▶ Shut off the engine,  15.
- ▶ Engage the chain brake,  12.1.
- ▶ Allow the chain saw and muffler to cool down.



- ▶ Remove the screw (1).
- ▶ Pull out spark arresting screen (2)
- ▶ Clean the spark arresting screen.
- ▶ If the spark arresting screen is clogged or heavily carbonized, have it replaced by an authorized STIHL servicing dealer.
- ▶ Re-insert the spark arresting screen and tighten the screw.
- ▶ If muffler plugs are missing or damaged, install new plugs.

22 Inspection and Maintenance


22.1 Inspection and Maintenance Chart

The following maintenance intervals are examples and apply for normal operating conditions. Actual use and your experience will determine the frequency of required inspection and maintenance.		Before starting work	After finishing work or daily	Whenever fueling	Weekly	Monthly	Yearly	Relevant Chapter
Complete Machine	Visual inspection	X		X				
	Clean		X					21.1
Controls	Check function and condition	X		X				16.2
Chain Brake	Check function	X						16.1
Chain Oil Tank	Clean ¹⁾					X	X	
Chain Lubrication	Check chain oil flow rate	X						16.3
Fuel Tank	Clean ¹⁾					X		
Fuel Pick-Up Body / Filter	Clean ¹⁾					X		
	Replace ¹⁾						X	
Air Filter	Clean					X		21.3
Saw Chain	Check chain tension	X		X				10.3
	Sharpen ¹⁾	X		X	X			22.5
Guide Bar	Inspect for proper groove depth and spread				X			22.4
	Deburr				X			22.4
Chain Sprocket	Inspect				X			22.3
Chain catcher on sprocket cover	Inspect ¹⁾				X			
Air intake on fan housing	Clean		X		X			
Cylinder fins	Clean		X			X		
Spark arresting screen in muffler	Check presence	X						
	Check and Clean ¹⁾						X	21.5
Plugs in muffler	Check	X						

¹⁾ STIHL recommends an authorized STIHL servicing dealer

22.2 Inspecting and Maintaining the Chain Sprocket

⚠ WARNING

To reduce the risk of personal injury from unintended activation, shut off the engine and engage the chain brake before inspecting the chain saw or carrying out any maintenance,  8. Carry out only the maintenance operations described in this manual. There are no user-authorized repairs. STIHL recommends that repair work be performed by authorized STIHL servicing dealers.

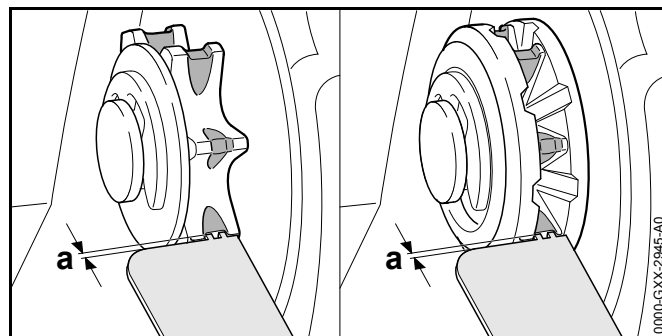
Proper maintenance of the chain saw includes the following activities:

- ▶ Installing a new spark plug after approximately 100 operating hours or earlier if the electrodes are badly eroded or corroded.
- ▶ Having the spark arresting screen inspected and cleaned according to the maintenance chart.
- ▶ Inspecting the chain sprocket periodically and having a worn chain sprocket replaced by an authorized STIHL servicing dealer.
- ▶ Inspecting the guide bar for proper groove depth and spread and replacing the guide bar if it shows signs of excessive wear or damage.
- ▶ Periodically sharpening the chain, maintaining the depth limiting guides at the appropriate height and replacing the saw chain when indicated by the relevant wear marks or when the chain is damaged or shows signs of excessive wear.
- ▶ Having worn, missing or damaged safety labels replaced by an authorized STIHL servicing dealer.

If you make a warranty claim for a component that has not been serviced or maintained properly, coverage may be denied.

22.3 Inspecting and Maintaining the Chain Sprocket

- ▶ Shut off the engine and engage the chain brake.
- ▶ Remove the chain sprocket cover, saw chain and guide bar.




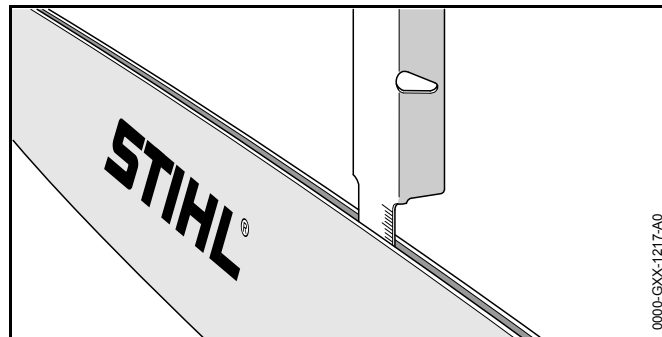
- ▶ Check the chain sprocket cover for wear marks.
- ▶ If the wear marks are deeper than $a = 0.020$ in. (0.5 mm), have the chain sprocket replaced.


STIHL recommends using genuine STIHL chain sprockets to ensure optimal functioning of the chain brake.

Alternating between two chains helps reduce wear to the chain sprocket.

22.4 Inspecting and Maintaining the Guide Bar

- ▶ Shut off the engine and engage the chain brake.
- ▶ Remove the guide bar and saw chain,  10.2.2.

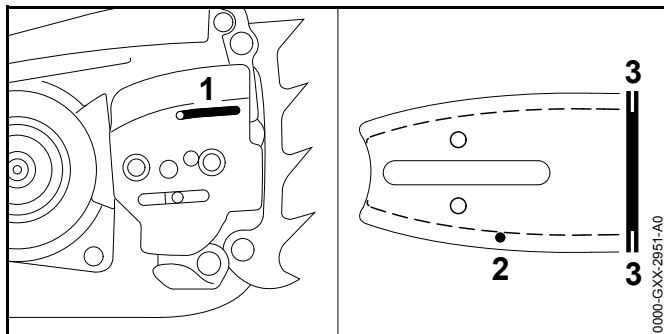


- ▶ Measure the depth of the guide bar groove in the area with the greatest wear using the measuring tool on the file gauge (special accessory, not included).
- ▶ Replace the guide bar if the measured depth is less than the required minimum depths stated in  24.4.

- ▶ Check the spread of the guide bar groove with the measuring tool on the file gauge.
- ▶ Replace the guide bar if the groove is narrowed, spread or shows other signs of substantial wear or damage.

To maintain the guide bar:

- ▶ Flip the guide bar after each sharpening and each time the chain is changed. This will help reduce uneven wear. There is no "top" or "bottom" of the bar. It may be used in either orientation, even though the printing on the bar may be upside down.



- ▶ Clean the oil outlet duct (1), oil inlet bore (2) and groove (3) with a brush, a slightly dampened cloth or resin solvent, such as STIHL Resin Remover & Lubricant. Do not use detergents.
- ▶ Periodically remove any metal burrs that develop along the guide bar with a flat file or a STIHL guide bar dressing tool.
- ▶ Replace the guide bar if the burrs cannot be filed or if the guide bar becomes damaged.

22.5 Inspecting, Maintaining and Sharpening the Saw Chain

! WARNING

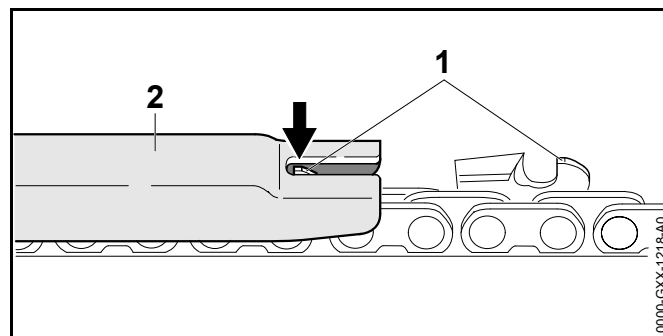
An improperly sharpened chain can increase the risk of kickback and other reactive forces, resulting in severe personal injury or death. For example, depth gauges that are too low or cutters that are filed incorrectly can increase the

kickback tendency of the chain saw and can increase kickback forces, making it more difficult to control the saw. Always review and follow the sharpening angles and dimensions recommended by STIHL when checking or sharpening the chain.

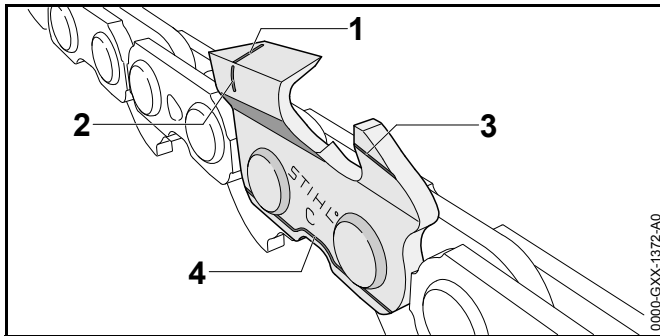
! WARNING

Never use a dull or damaged chain. This leads to increased physical strain, increased vibration load, unsatisfactory cutting results and increased wear. If the chips from cutting are fine, more like saw dust than wood chips, the chain likely is dull.

- ▶ Shut off the engine and engage the chain brake.



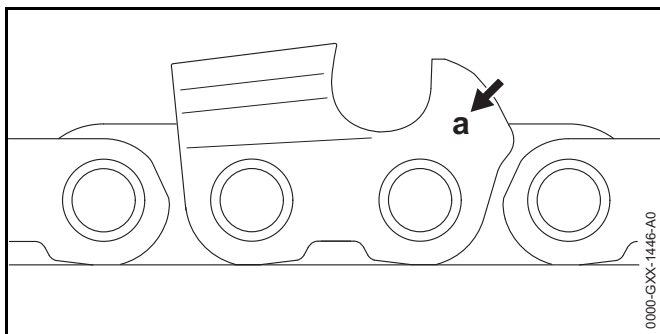
- ▶ Check the height of the depth gauge (1) with a STIHL file gauge (2) matching the pitch of the chain.
- ▶ If the depth gauge protrudes higher than the file gauge, file the depth gauge to the appropriate height.
- ▶ Work carefully. Do not file the depth gauge too low. A depth gauge that is too low must be replaced or sharpened by an authorized STIHL servicing dealer, as it can increase the kickback tendency of the chain saw and can increase kickback forces.



STIHL chain is manufactured with wear marks to help the operator identify excessive wear. The wear marks depicted above (1 - 4) must remain visible.

- ▶ Replace the chain if any wear marks are no longer visible.
- ▶ Check the 30° sharpening angle of the cutters with a STIHL file gauge matching the pitch of the chain.
- ▶ If the sharpening angle is incorrect, file the cutters to a 30° angle.
- ▶ If you are unable to achieve the proper angle, or suspect you have not achieved the proper angle, have the chain sharpened by an authorized STIHL servicing dealer.

An improperly filed chain can be very dangerous. It can increase the potential for reactive forces, including kickback, and also increase the magnitude of those reactive forces.




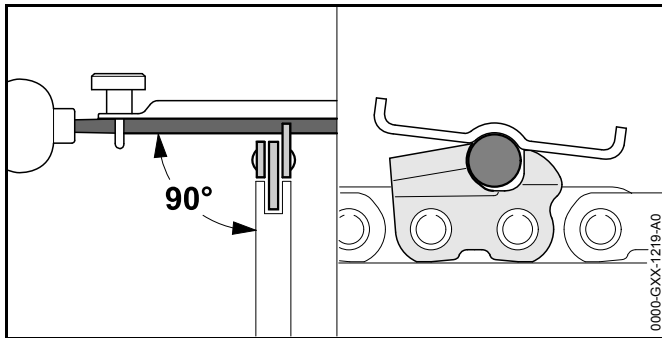
The chain pitch marking (a) is embossed in the area of the depth gauge of each cutter.

The markings mean the following:

Marking (a)	Saw Chain Pitch
1	1/4"
2	.325"
3	3/8"
4	.404"
6	3/8" PICCO
7	1/4" PICCO

To sharpen the chain:

- ▶ Shut off the engine and engage the chain brake.
- ▶ Select a chain file with a diameter matching the pitch of the chain.
Other files are unsuitable and can result in improperly filed chain, which can increase the potential and force of kickback and other reactive forces.
- ▶ Clamp the guide bar if necessary to make filing easier.
- ▶ To advance the chain, first disengage the chain brake,  12.2.
- ▶ Use a file holder.
File holders have markings that indicate the proper sharpening angle.
- ▶ File all the cutters with an identical angle. Two or three strokes of the file are usually sufficient for simple resharpener. Remove a little material with each stroke. Sharpening at varying or inconsistent angles or heights can be very dangerous and may result in rough or uneven running of the chain and increased wear, even to the point of chain breakage. It also can increase the tendency and force of kickback and other reactive forces.



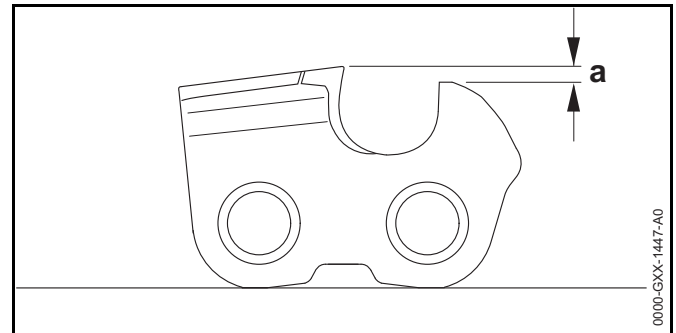
- ▶ Guide the file horizontally at a right angle to the side surface of the guide bar in accordance with the specified angle.
- ▶ File only from the inside of the cutter outward.
- ▶ Lift the file on the backstroke. The file only sharpens on the forward stroke.
- ▶ Do not file tie straps or drive links.
- ▶ Periodically rotate the file in order to avoid uneven wear.
- ▶ To remove a file burr from the cutter tooth, run the cutter across a piece of hardwood.
- ▶ Check the sharpening angle with a file gauge.

All cutters must be of equal length and filed down to the length of the shortest cutter. Otherwise, the tendency and force of kickback and other reactive forces will increase.

STIHL recommends having your chain sharpened by an authorized STIHL servicing dealer to reduce the risk of severe or fatal injury from an improperly sharpened chain.


⚠ WARNING

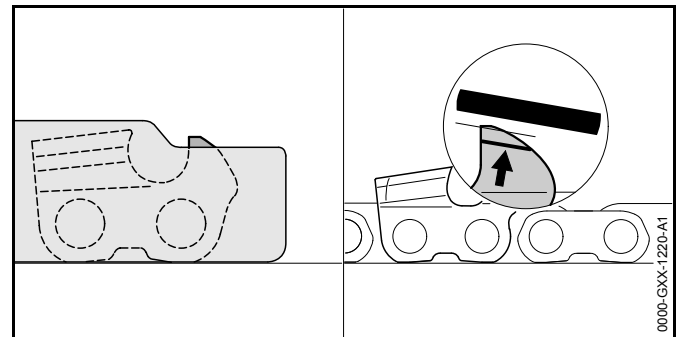
Depth gauges that are too low increase the potential and force of kickback and other reactive forces, which can increase the risk of serious personal injury. Always maintain the proper distance (a) between the depth gauge and the top of the cutter.



The depth gauge determines the depth to which the cutter penetrates the wood and thus the chip thickness.

A depth gauge that is too low will increase the kickback tendency of the chain saw and can increase kickback forces.

A depth gauge that is too high will prevent the cutter from entering the workpiece and will lead to poor cutting performance. Always keep the required distance (a) between depth gauge and cutting edge,  24.5.



To properly lower the depth gauge:


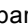
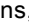

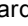

- ▶ Lay the appropriate file gauge for the chain pitch on the chain and press it against the cutter to be checked. If the depth gauge protrudes past the file gauge, the depth gauge must be filed down.
- ▶ File the depth gauge so that it is flush with the top of the file gauge.

- ▶ Afterwards, remove the file gauge and file the leading edge of the depth gauge parallel to the service mark. When doing this, be careful not to further lower the highest point of the depth gauge.
- ▶ Lay the file gauge on the chain to check the height of the file gauge. The highest point of the depth gauge must be flush with the top of the file gauge.
- ▶ After sharpening, clean the chain thoroughly, removing any filings or grinding dust.
- ▶ Oil the chain thoroughly.

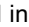


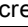
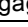
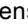

23 Troubleshooting Guide

23.1 Chain saw

Many performance issues can be resolved with a few simple steps. When troubleshooting, STIHL recommends that you start with the following measures:

- ▶ Clean the air filter,  21.3.
- ▶ Clean or replace the spark plug,  21.4.
- ▶ As appropriate for conditions, set the saw's "shutter" for winter or summer operation,  17.1 or  17.2.
- ▶ Return the carburetor to the standard setting,  17.5.
- ▶ Adjust the saw's idle speed,  23.2.
- ▶ If these measures do not resolve the issue, continue to the steps described below.

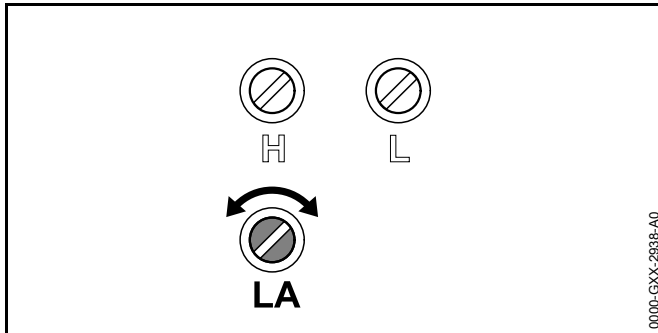
Always shut off the engine before carrying out any inspection, cleaning or maintenance.

Condition	Possible Cause	Remedy
The engine does not start.	There is insufficient fuel in the fuel tank.	▶ Refuel the chain saw,  13.2.
	The engine is flooded.	▶ Clear the combustion chamber,  23.3.
	The carburetor is iced up.	▶ Allow the engine to warm up gradually to a temperature of about 50 °F (10 °C).
The engine idles erratically.	The carburetor is iced up.	▶ Allow the engine to warm up gradually to a temperature of about 50 °F (10 °C).
The engine stops while idling.	The carburetor is iced up.	▶ Allow the engine to warm up gradually to a temperature of about 50 °F (10 °C).
Acceleration is poor.	The chain is tensioned too tight.	▶ Properly tension the chain,  10.3.
	Insufficient bar and chain oil.	▶ Increase oil feed rate,  11.3.
The chain does not rotate when throttle is opened.	The chain brake is engaged.	▶ Disengage the chain brake,  12.2.
	The chain is tensioned too tight.	▶ Properly tension the chain,  10.3.
	The guide bar sprocket is blocked.	▶ Spray the guide bar sprocket with resin remover.
During sawing, the wood smokes or smells burnt.	The chain is dull or improperly sharpened.	▶ Properly sharpen the chain,  10.3.
	Working technique is improper or the saw is being mis-used.	▶ Obtain instruction on proper working technique.
	Insufficient bar and chain oil.	▶ Have the chain lubrication mechanism checked by an authorized STIHL servicing dealer.

23.2 Adjusting Idle Speed

! WARNING

To reduce the risk of personal injury from loss of control and/or contact with the saw chain, do not use your saw with incorrect idle adjustment. At correct idle speed, the chain should not move. If the chain continues moving when the engine is idling, have your saw checked and repaired by your servicing dealer.



Engine stops when idling

Adjust the saw's idle speed:

- ▶ Return the carburetor to the standard setting, 17.5.
- ▶ Start the engine and disengage the chain brake.
- ▶ Warm up the engine by opening and closing throttle for about 1 minute.
- ▶ If the engine continues to stop while idling, turn the idle speed screw (LA) half a turn clockwise and restart the engine.
- ▶ Turn the idle speed screw (LA) clockwise until the chain begins to run.
- ▶ Turn the idle speed screw (LA) one full turn counter-clockwise.

Saw chain moves continuously when engine is idling

Adjust the saw's idle speed:

- ▶ Return the carburetor to the standard setting, 17.5.
- ▶ Start the engine and disengage the chain brake.
- ▶ Warm up the engine by opening and closing throttle for about 1 minute.
- ▶ Turn the idle speed screw (LA) counter-clockwise until the chain stops rotating.
- ▶ Turn the idle speed screw (LA) one full turn counter-clockwise.

23.3 Clearing the Combustion Chamber

! WARNING

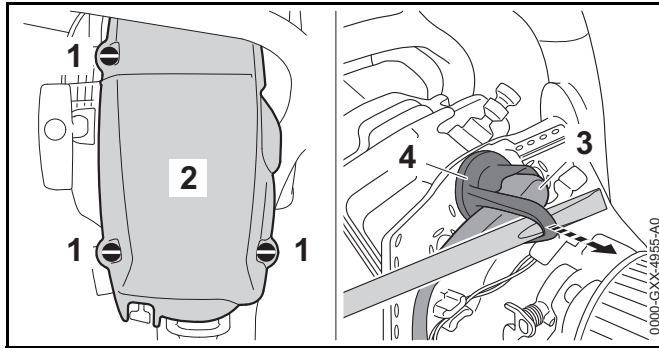
To reduce the risk of fire and burn injury, use only spark plugs authorized by STIHL. Always press the spark plug boot snugly onto the spark plug terminal.

! WARNING

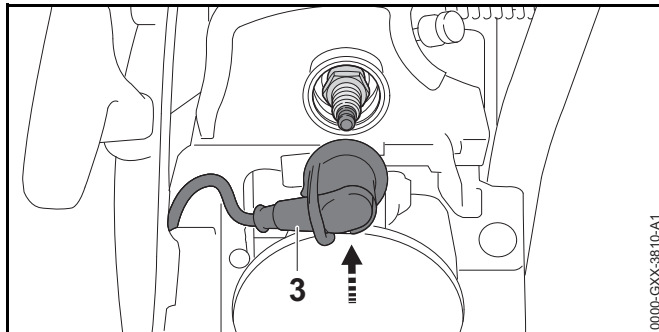
To reduce the risk of fire, always move the Master Control Lever to position **0** before pulling the starter grip if the spark plug boot has been removed.

If you believe the engine is flooded, you must clear the combustion chamber before you can start the saw. To clear the combustion chamber:

- ▶ Shut off the engine, 15.1.
- ▶ Engage the chain brake, 12.1.
- ▶ Allow the chain saw to cool down.



- ▶ Open the shroud locks (1) by turning them 1/4 turn counter-clockwise with the combination wrench.
- ▶ Remove the shroud (2).
- ▶ Remove the spark plug boot (3) by pulling the tab (4).
- ▶ Unscrew the spark plug and dry it.
- ▶ Move the Master Control Lever to position 0.
- ▶ Pull the starter grip and guide it back several times. The combustion chamber will be cleared.



- ▶ Re-insert the spark plug and tighten it down firmly.
- ▶ Connect the spark plug boot (3) and press it down firmly.
- ▶ Place the shroud in position.
- ▶ Tighten the shroud locks until you hear an audible click.

24 Specifications

24.1 EPA

The Emission Compliance Period referenced on the Emissions Compliance Label indicates the number of operating hours for which the engine has been shown to meet federal emission requirements.

Category:

- A = 300 hours
- B = 125 hours
- C = 50 hours

24.2 STIHL MS 261

- Displacement: 3.06 cu. in. (50.2 cm³)
- Engine power according to ISO 7293: 4.0 bhp (3.0 kW)
- Idle speed according to ISO 11681: 2,800 ± 50 rpm
- Maximum engine speed: 14,000 rpm
- Recommended spark plugs: Bosch WSR 6 F by STIHL, NGK BPMR 7 A by STIHL
- Spark plug electrode gap: 0.02 in. (0.5 mm)
- Weight without fuel, oil, guide bar or saw chain: 10.8 lbs. (4.9 kg)
- Maximum fuel tank volume: 16.9 oz. (0.5 l)
- Maximum oil tank volume: 9.1 oz. (0.27 l)

Do not use BIA or TCW rated (2-cycle water cooled) mix oils or other mix oils that state they are for use in both water cooled and air cooled engines (e.g., outboard motors, snowmobiles, chain saws, mopeds, etc.).

24.3 Chain Sprockets

The following chain sprockets are available for this model chain saw:

- 7-tooth for .325" pitch

24.4 Minimum Groove Depth of Guide Bars

The minimum groove depth of a guide bar depends on the pitch of the guide bar.

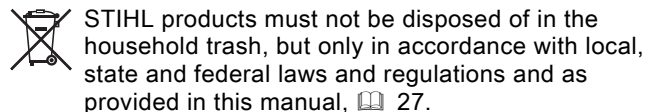
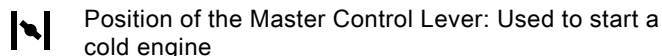
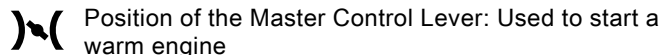
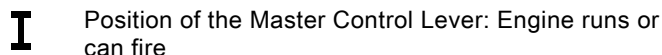
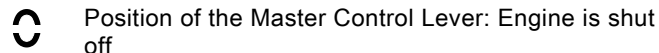
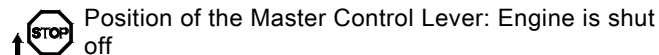
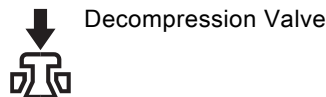
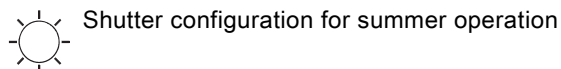
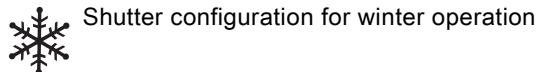
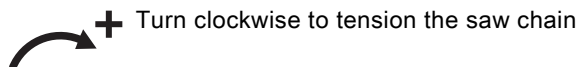
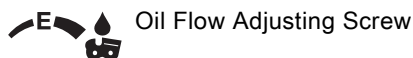
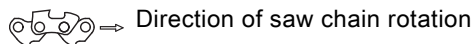
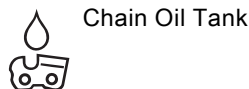
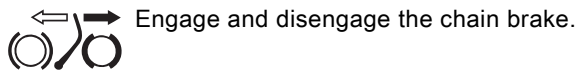
- Minimum groove depth for .325" pitch guide bars: 0.236 in. (6 mm)

24.5 Depth Gauge Setting

The depth gauge setting of a saw chain depends on the pitch of the chain.

- Depth gauge setting for .325" pitch chains: 0.026 in. (0.65 mm)

24.6 Symbols on the Chain Saw



24.7 Engineering Improvements

STIHL's philosophy is to continually improve all of its products. As a result, engineering changes and improvements are made from time to time. Therefore, some changes, modifications and improvements may not be covered in this manual. If the operating characteristics or the appearance of your machine differs from those described in this manual, please contact your STIHL dealer or the STIHL distributor in your area for assistance.

25 Combinations of Guide Bars and Saw Chains

25.1 STIHL MS 261

Pitch	Drive link gauge/Groove width	Length	Guide Bar	Number of teeth of sprocket nose	Drive link count	Saw chain
.325"	0.063 in. (1.6 mm)	16 in. (40 cm)	Rollomatic E	11	67	26 RM3 (Type 3634)
		18 in. (45 cm)			74	
		20 in. (50 cm)			81	

The guide bar and chain combinations listed above meet the 45° computed kickback angle requirement of § 5.11 of ANSI/OPEI B175.1 when used on this model chain saw with the matching chain sprocket listed above.


Use replacement guide bars or chains only as listed above or as listed elsewhere by STIHL as conforming with the 45° computed kickback angle requirement of § 5.11 of ANSI/OPEI B175.1 when used on this model chain saw.

The listed guide bars are green-labeled reduced kickback STIHL guide bars. The listed chains are green-labeled low kickback STIHL chains.

Since new bar/chain combinations may be developed after publication of this manual, ask your authorized STIHL servicing dealer for the latest STIHL recommendations.

26 Replacement Parts and Equipment

26.1 Genuine STIHL Replacement Parts

STIHL recommends the use of genuine STIHL replacement parts. Genuine STIHL parts can be identified by the STIHL part number, the **STIHL** logo and, in some cases, by the STIHL parts symbol . The symbol may appear alone on small parts.

27 Disposal

27.1 Disposal of the Power Tool

STIHL products must not be thrown in household trash or disposed of except as outlined in this manual.

- ▶ Take the power tool, accessories and packaging to an approved disposal site for environmentally friendly recycling.
- ▶ Contact your authorized STIHL servicing dealer for the latest information on disposal and recycling.

28 Limited Warranty

28.1 STIHL Incorporated Limited Warranty Policy

This product is sold subject to the STIHL Incorporated Limited Warranty Policy, available at www.stihlusa.com/warranty.html. It can also be obtained from your authorized STIHL dealer or by calling 1-800-GO-STIHL (1-800-467-8445).

29 Emission Control Warranty

29.1 STIHL Incorporated Federal Emission Control Warranty Statement

Your Warranty Rights and Obligations

The U.S. Environmental Protection Agency (EPA) and STIHL Incorporated are pleased to explain the Emission Control System Warranty on your equipment type engine. In the U.S. new 1997 and later model year small off-road equipment engines must be designed, built and equipped, at the time of sale, to meet the U.S. EPA regulations for small non road engines. The equipment engine must be free from defects in materials and workmanship which cause it to fail to conform with U.S. EPA standards for the first two years of engine use from the date of sale to the ultimate purchaser.

STIHL Incorporated must warrant the emission control system on your small off-road engine for the period of time listed below provided there has been no abuse, neglect or improper maintenance of your small off-road equipment engine.

Your emission control system includes parts such as the carburetor and the ignition system. Also included may be hoses, and connectors and other emission-related assemblies.

Where a warrantable condition exists, STIHL Incorporated will repair your small off-road equipment engine at no cost to you including diagnosis (if the diagnostic work is performed at an authorized dealer), parts and labor.

Manufacturer's Warranty Coverage

In the U.S., 1997 and later model year small off-road equipment engines are warranted for two years. If any emission-related part on your engine is defective, the part will be repaired or replaced by STIHL Incorporated free of charge.

Owner's Warranty Responsibilities

As the small off-road equipment engine owner, you are responsible for the performance of the required maintenance listed in your instruction manual. STIHL Incorporated recommends that you retain all receipts covering maintenance on your small off-road equipment engine, but STIHL Incorporated cannot deny warranty solely for the lack of receipts or for your failure to ensure the performance of all scheduled maintenance.

Any replacement part or service that is equivalent in performance and durability may be used in non-warranty maintenance or repairs, and shall not reduce the warranty obligations of the engine manufacturer.

As the small off-road equipment engine owner, you should be aware, however, that STIHL Incorporated may deny you warranty coverage if your small off-road equipment engine or a part has failed due to abuse, neglect, improper maintenance or unapproved modifications.

You are responsible for presenting your small off-road equipment engine to a STIHL service center as soon as a problem exists. The warranty repairs will be completed in a reasonable amount of time, not to exceed 30 days.

If you have any questions regarding your warranty rights and responsibilities, please contact a STIHL customer service representative at 1-800-467-8445 or you can write to STIHL Incorporated, 536 Viking Drive, P.O. Box 2015, Virginia Beach, VA 23450-2015 (www.stihlusa.com)

Coverage by STIHL Incorporated

STIHL Incorporated warrants to the ultimate purchaser and each subsequent purchaser that your small off-road equipment engine will be designed, built and equipped, at the time of sale, to meet all applicable emissions regulations. STIHL Incorporated also warrants to the initial purchaser and each subsequent purchaser that your engine is free from defects in materials and workmanship which cause the engine to fail to conform with applicable emissions regulations for a period of two years.

Warranty Period

The warranty period will begin on the date the utility equipment engine is purchased by the initial purchaser. Product registration is recommended, so that STIHL has a means to contact you if there ever is a need to communicate repair or recall information about your product, but it is not required in order to obtain warranty service.

If any emission-related part on your engine is defective, the part will be replaced by STIHL Incorporated at no cost to the owner. Any warranted part which is not scheduled for replacement as required maintenance, or which is scheduled only for regular inspection to the effect of "repair or replace as necessary" will be warranted for the warranty period. Any warranted part which is scheduled for replacement as required maintenance will be warranted for the period of time up to the first scheduled replacement point for that part.

Diagnosis

You, as the owner, shall not be charged for diagnostic labor which leads to the determination that a warranted emissions part is defective. However, if you claim warranty for an emissions component and the machine is tested as non-defective, STIHL Incorporated will charge you for the cost of the emission test. Mechanical diagnostic work will be performed at an authorized STIHL servicing dealer. Emission test may be performed either at STIHL Incorporated or at any independent test laboratory.

Warranty Work

STIHL Incorporated shall remedy warranty defects at any authorized STIHL servicing dealer or warranty station. Any such work shall be free of charge to the owner if it is determined that a warranted part is defective.

Any manufacturer-approved or equivalent replacement part may be used for any warranty maintenance or repairs on emission-related parts and must be provided without charge

to the owner. STIHL Incorporated is liable for damages to other engine components caused by the failure of an emissions warranted part still under warranty.

The following list specifically defines the emission-related warranted parts:

- Air Filter
- Carburetor (if applicable)
- Clamps
- Control Linkages
- Cylinder
- Fly Wheel
- Fasteners
- Fuel Cap
- Fuel Line
- Fuel Line Fittings
- Fuel Pump
- Fuel Tank
- Intake Manifold
- Magneto or Electronic Ignition System (Ignition Module or Electronic Control Unit)
- Muffler
- Spark Plug
- Solenoid Valve (if applicable)
- Catalytic Converter (if applicable)
- Choke (Cold Start Enrichment System) (if applicable)
- Injection Pump (if applicable)
- Injection Valve (if applicable)
- Throttle Housing (if applicable)

Where to Make a Claim for Warranty Service

Bring the product to any authorized STIHL servicing dealer.

Maintenance Requirements

The maintenance instructions in this manual are based on the application of the recommended 2-stroke fuel-oil mixture. Deviations from this recommendation regarding quality and mixing ratio of fuel and oil may require shorter maintenance intervals.

Limitations

This Emission Control Systems Warranty shall not cover any of the following:

- repair or replacement required because of misuse, neglect or lack of required maintenance,
- repairs improperly performed or replacements not conforming to STIHL Incorporated specifications that adversely affect performance and/or durability, and alterations or modifications not recommended or approved in writing by STIHL Incorporated,
- replacement of parts and other services and adjustments necessary for required maintenance at and after the first scheduled replacement point.

30 Trademarks

30.1 Registered Trademarks

STIHL®

STIHL®



The color combination orange-grey (U.S.

Registrations #2,821,860; #3,010,057, #3,010,058, #3,400,477; and #3,400,476)

AutoCut®

YARD BOSS®

FARM BOSS®

iCademy®

MAGNUM®

MasterWrench Service®

MotoMix®

OILOMATIC®

ROCK BOSS®

STIHL Cutquik®

STIHL DUROMATIC®

STIHL Quickstop®

STIHL ROLLOMATIC®
WOOD BOSS®



STIHL WOOD BOSS®
TIMBERSPORTS®



30.2 Common Law Trademarks

4-MIX™	HT Plus™
BioPlus™	STIHL PowerSweep™
Easy2Start™	STIHL Protech™
EasySpool™	STIHL MiniBoss™
ElastoStart™	STIHL MotoPlus 4™
Ematic™	Master Control Lever™
STIHL Precision Series™	STIHL OUTFITTERS™
FixCut™	STIHL PICCO™
Micro™	TrimCut™
Pro Mark™	STIHL M-Tronic™
Quad Power™	STIHL HomeScaper Series™
Quiet Line™	STIHL PolyCut™
STIHL Arctic™	STIHL RAPID™
STIHL Compact™	STIHL SuperCut™
STIHL Interchangeable Attachment Series™	STIHL Multi-Cut HomeScaper Series™
TapAction™	STIHL Territory™
	

This listing of trademarks is subject to change.

Any unauthorized use of these trademarks without the express written consent of ANDREAS STIHL AG & Co. KG, Waiblingen is strictly prohibited.

31 Addresses

31.1 STIHL Incorporated

STIHL Incorporated
536 Viking Drive
P.O. Box 2015
Virginia Beach, VA
23452-2015

Contenido

1	Introducción	72	10	Armado de la motosierra	106
2	Acerca de este manual de instrucciones	72	10.1	Accesorio de corte.....	106
2.1	Palabras identificadoras.....	72	10.2	Montaje y retiro de la espada y la cadena de aserrado.....	106
2.2	Símbolos en el texto.....	72	10.3	Tensado de la cadena.....	108
3	Componentes importantes	73	11	Lubricación de la cadena de aserrado y de la espada	109
3.1	Motosierra.....	73	11.1	Lubricante de espadas y cadenas.....	109
4	Símbolos de seguridad en el producto	74	11.2	Llenado del depósito de aceite de la cadena.....	109
4.1	Motosierra.....	74	11.3	Ajuste del flujo del aceite de la espada y la cadena.....	110
5	INSTRUCCIONES IMPORTANTES DE SEGURIDAD	75	12	El freno de cadena	111
5.1	Uso previsto.....	75	12.1	Accionamiento del freno de la cadena.....	111
5.2	Operador.....	75	12.2	Cómo soltar el freno de la cadena.....	111
5.3	Equipos de protección personal.....	76	12.3	Mantenimiento del freno de la cadena.....	112
5.4	Motosierra.....	77	13	Mezcla del combustible y carga de combustible en la motosierra	112
5.5	Instrucciones para el llenado de combustible.....	78	13.1	Mezcla del combustible.....	112
5.6	Uso de la motosierra.....	83	13.2	Carga de combustible en la motosierra.....	114
6	Contragolpe y otras fuerzas reactivas	90	14	Arranque del motor	117
6.1	Fuerzas reactivas.....	90	14.1	Sujeción de la motosierra.....	117
6.2	Contragolpe.....	91	14.2	Procedimiento de arranque.....	117
6.3	Tirones.....	96	14.3	Procedimiento antes del arranque.....	117
6.4	Rechazo.....	96	14.4	Arranque del motor.....	118
7	Técnicas adecuadas para el tronzado, el desramado, la poda y la tala básicos	97	15	Apagado del motor	119
7.1	Tronzado.....	97	15.1	Apagado del motor.....	119
7.2	Corte de troncos bajo tensión.....	98	16	Revisión de la motosierra	119
7.3	Desrame.....	98	16.1	Control del funcionamiento del freno de la cadena.....	119
7.4	Poda.....	99	16.2	Prueba de los controles.....	120
7.5	Tala.....	100	16.3	Prueba de la lubricación de la cadena.....	120
8	Mantenimiento, reparación y almacenamiento	105	17	Ajuste del carburador	121
8.1	Advertencias e instrucciones.....	105	17.1	Manejo durante el invierno.....	121
9	Antes de empezar a trabajar	106	17.2	Manejo durante el verano.....	121
9.1	Preparación de la motosierra para el funcionamiento:.....	106			

STIHL

Este manual de instrucciones está protegido por derechos de propiedad intelectual. Todos los derechos reservados, especialmente los derechos de reproducción, traducción y procesamiento con sistemas electrónicos.

17.3 Corrección del ajuste del carburador para uso a alturas grandes	122	25.1 STIHL MS 261	140
17.4 Corrección del carburador para trabajar a temperaturas menores que -10°C (14°F)	122	26 Piezas y equipos de repuesto	141
17.5 Ajuste estándar del carburador	123	26.1 Piezas de repuesto originales de STIHL	141
18 Después de completar el trabajo	123	27 Eliminación	141
18.1 Preparación para el transporte o el almacenamiento	123	27.1 Desecho de la herramienta motorizada	141
19 Transporte	124	28 Garantía limitada	141
19.1 Transporte de la motosierra	124	28.1 Política de garantía limitada de STIHL Incorporated	141
20 Almacenamiento	124	29 Garantía del sistema de control de emisiones	141
20.1 Almacenamiento de la motosierra	124	29.1 Declaración de garantía de STIHL Incorporated sobre sistemas de control de emisiones según normas federales	141
21 Limpieza	125	30 Marcas comerciales	144
21.1 Limpieza de la motosierra	125	30.1 Marcas comerciales registradas	144
21.2 Limpieza de la espada y la cadena de aserrado	125	30.2 Marcas comerciales por ley común	144
21.3 Limpieza del filtro de aire	125	31 Direcciones	144
21.4 Limpieza de la bujía	127	31.1 STIHL Incorporated	144
21.5 Limpieza del chispero	128		
22 Inspección y mantenimiento	129		
22.1 Tabla de inspección y mantenimiento	129		
22.2 Inspección y mantenimiento de la motosierra	130		
22.3 Revisión y mantenimiento del piñón de cadena	130		
22.4 Inspección y mantenimiento de la espada	130		
22.5 Inspección, mantenimiento y afilado de la cadena de aserrado	131		
23 Guía de solución de problemas	135		
23.1 Motosierra	135		
23.2 Ajuste de marcha en vacío	137		
23.3 Despejado de la cámara de combustión	137		
24 Especificaciones	138		
24.1 E.P.A.	138		
24.2 STIHL MS 261	138		
24.3 Piñones de cadena	139		
24.4 Profundidad de ranura mínima para las espadas	139		
24.5 Ajuste de calibrador de profundidad	139		
24.6 Símbolos en la motosierra	139		
24.7 Mejoramientos técnicos	139		
25 Combinaciones de espadas y cadenas de aserrado	140		

1 Introducción

Gracias por su compra. La información que contiene este manual lo ayudará a obtener el máximo rendimiento y satisfacción de la motosierra STIHL, y a reducir el riesgo de lesiones que supone su uso, si dicha información se respeta.

¡CONSERVE ESTE MANUAL!



Dado que la motosierra es una herramienta motorizada para cortar madera que funciona a gran velocidad, es necesario tomar medidas especiales de seguridad para reducir el riesgo de lesiones.



Lea este manual de instrucciones detenidamente antes del uso y periódicamente de allí en adelante. Atégase a todas las instrucciones de seguridad. El uso descuidado o inadecuado de cualquier motosierra puede causar lesiones graves e incluso mortales.

Pida a su concesionario de servicio STIHL autorizado que le enseñe el manejo de la motosierra. Todas las medidas de seguridad que por lo general se toman cuando se trabaja con un hacha o sierra manual también son aplicables al manejo de las motosierras. Respete todas las disposiciones, reglamentos y normas de seguridad federales, estatales y locales del caso.

No preste ni alquile nunca su motosierra sin el manual de instrucciones. Solamente permita que personas debidamente capacitadas y que comprendan la información de este manual por completo manejen la motosierra.

Para obtener más información, o si no comprende alguna de las instrucciones incluidas en este manual, visite www.stihlusa.com o comuníquese con el concesionario de STIHL.

2 Acerca de este manual de instrucciones

2.1 Palabras identificadoras

Este manual contiene información sobre seguridad a la que usted debe prestar atención especial. Dicha información se indica con los siguientes símbolos y palabras identificadoras:



PELIGRO

Identifica una situación de peligro que, de no evitarse, causará lesiones graves o mortales.



ADVERTENCIA

Identifica una situación de peligro que, de no evitarse, podría causar lesiones graves o mortales.

INDICACIÓN

Indica el riesgo de daños a la propiedad, incluidos la máquina o sus componentes.

2.2 Símbolos en el texto

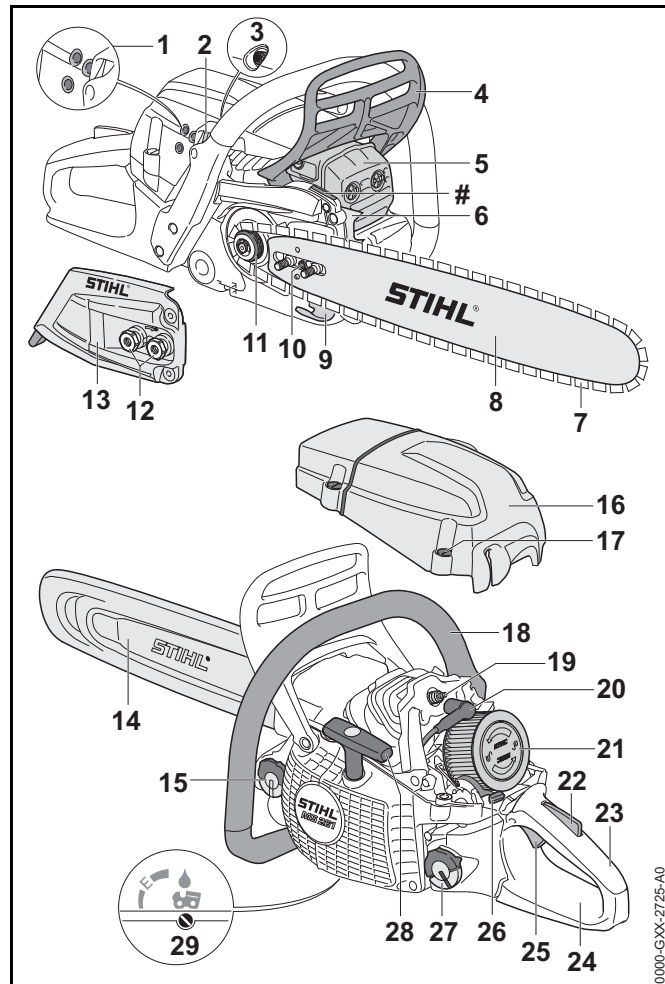
El siguiente símbolo tiene como finalidad ayudarlo a utilizar este manual.



Hace referencia a un capítulo o subcapítulo designado en este manual de instrucciones.

3 Componentes importantes

3.1 Motosierra



1 Tornillos de ajuste del carburador
Para afinar el carburador.

2 Obturador para marcha en verano e invierno
Con posiciones para invierno y verano. El carburador se calienta en la posición de invierno.

3 Válvula de descompresión (no disponible para todos los modelos)
Facilita el arranque.

4 Protector delantero de la mano
Ayuda a proteger la mano izquierda del operador de las ramas prominentes y del contacto con la cadena de aserrado. Funciona como la palanca activadora del freno de la cadena.

5 Silenciador con chispero y tapones
Reduce los ruidos del escape del motor y desvía los gases de escape lejos del usuario. El chispero y los tapones reducen el riesgo de incendios.

6 Púa de tope
Ayuda a sostener la sierra fija contra la pieza de madera durante el corte.

7 Cadena de aserrado
Herramienta de corte dentada formada por cortadores, amarras y eslabones impulsores.

8 Espada
Sirve de soporte y de guía de la cadena de aserrado.

9 Gancho retenedor de la cadena
Ayuda a contener la cadena de aserrado y reducir el riesgo de contacto con el operador en caso de que la cadena se rompa y se salga de la espada.

10 Tensor lateral de la cadena
Permite el ajuste preciso de la tensión de la cadena de aserrado.

11 Piñón de la cadena
Impulsa la cadena de aserrado.

12 Tuercas
Ajusta la cubierta del piñón contra la motosierra.

13 Cubierta del piñón de la cadena
Cubre el piñón de la cadena.

14 Funda de la cadena

Cubre la espada y la cadena de aserrado para reducir el riesgo de lesiones causadas por el contacto accidental durante el transporte o el almacenamiento.

15 Tapa de llenado de aceite

Cierra y sella el tanque de aceite.

16 Cubierta

Cubre el filtro de aire y el motor.

17 Bloqueo de envuelta

Una traba para la envuelta.

18 Mango delantero

Mango para la mano izquierda del operador.

19 Bujía

Enciende la mezcla de combustible/aire en el motor.

20 Casquillo de bujía

Conecta la bujía al alambre de encendido.

21 Filtro de aire

Filtra el aire que se aspira dentro del motor.

22 Bloqueo de gatillo de aceleración

Impide la activación del gatillo de aceleración hasta que no se encuentre oprimido.

23 Mango trasero

Mango para la mano derecha del operador.

24 Protector trasero de la mano

Ayuda a proteger la mano derecha del operador en caso de que se rompa la cadena o se salga la espada.

25 Gatillo de aceleración

Regula la velocidad del motor.

26 Palanca de control maestro

Palanca para controlar el estrangulador, acelerador de arranque, posiciones del interruptor de funcionamiento y parada.

27 Tapa de llenado de combustible

Cierra y sella el depósito de combustible.

28 Mango de arranque

El mango del arrancador usado para arrancar el motor.

29 Tornillo de ajuste de flujo del aceite

Ajusta la cantidad de aceite aplicado a la cadena.

Embrague (no se ilustra)

Embraga el piñón de la cadena cuando se acelera el motor por encima de la marcha en vacío.

Sistema antivibración (no se ilustra)

El sistema antivibración incluye varios elementos antivibración diseñados para reducir la transmisión de las vibraciones del motor y del accesorio de corte a las manos del operador.

Chapa de información

Contiene el número de serie del producto.

4 Símbolos de seguridad en el producto

4.1 Motosierra

Los siguientes símbolos de seguridad están presentes en la motosierra:




Para reducir el riesgo de lesiones, respete las medidas de seguridad especificadas.



Lea y atégase a todas las precauciones de seguridad dadas en el manual de instrucciones. El uso inadecuado puede provocar lesiones personales graves o mortales o daños a la propiedad.



Para reducir el riesgo de lesiones personales graves y la pérdida del oído, siempre use gafas protectoras adecuadas y protectores en los oídos y un casco protector aprobado,  5.3.



Evite que la punta de la espada choque con cualquier tipo de objeto. Eso puede hacer que la espada salte de repente hacia arriba y hacia atrás, lo que podría provocar lesiones graves o mortales. Siempre maneje la sierra con las dos manos, 6.

5 INSTRUCCIONES IMPORTANTES DE SEGURIDAD

5.1 Uso previsto

ADVERTENCIA

- Esta motosierra está diseñada para cortar árboles y ramas. Si la motosierra se usa para trabajos para los que no ha sido diseñada, podría provocar lesiones graves o incluso la muerte.
 - Corte únicamente madera. No utilice la motosierra, por ejemplo, para cortar metal, plástico o mampostería.
 - Lea y respete las instrucciones de manejo y de uso de este manual para conocer las aplicaciones aprobadas y las técnicas de trabajo recomendadas.
- Respete todas las disposiciones, los reglamentos y las normas de seguridad federales, estatales y locales aplicables.
 - Cuando use una motosierra para trabajos de tala, por ejemplo, consulte las regulaciones de la OSHA sobre "trabajos de tala", Código 29 de los Reglamentos Federales 1910.266.
- Un uso indebido podría causar lesiones o daños materiales, incluidos daños en la motosierra.
 - Use la motosierra solo como se describe en este manual.
 - Nunca intente modificar ni anular en modo alguno los controles ni los dispositivos de seguridad de la motosierra.
 - Nunca use una motosierra que se haya modificado o alterado, apartándose de su diseño original.

5.2 Operador

ADVERTENCIA

- Trabajar con la motosierra puede ser extenuante. El operador debe hallarse en buenas condiciones tanto físicas como mentales. Para reducir el riesgo de lesiones personales causadas por fatiga o pérdida del control:
 - Consulte a su médico antes de usar la motosierra si tiene una afección de salud que pueda agravarse por el trabajo extenuante.
 - No haga funcionar la motosierra si se encuentra bajo la influencia de cualquier sustancia (drogas, alcohol, medicamentos, etc.) que puedan afectar la visión, el equilibrio, la destreza o el juicio.
 - Esté alerta. No haga funcionar la motosierra si está cansado. Tómese un descanso si se siente cansado.
 - No permita que menores utilicen la motosierra.
 - No se debe permitir la proximidad de otros, especialmente niños y animales, donde se esté utilizando la motosierra.
- El uso prolongado de una motosierra (u otras herramientas motorizadas) que exponen al operador a vibraciones puede causar la enfermedad de dedos muertos (fenómeno de Raynaud) o el síndrome del túnel carpiano. Estas afecciones reducen la capacidad de la mano de sentir y regular la temperatura. Producen entumecimiento y sensaciones de ardor, y también pueden causar daños en los nervios y la circulación, además de necrosis tisular.
- Se desconocen todos los factores que contribuyen a la enfermedad de Raynaud. El clima frío, el consumo de tabaco y las enfermedades o afecciones físicas que afectan los vasos sanguíneos y la circulación de la sangre, además de los niveles altos de vibración y los períodos largos de exposición a vibraciones se mencionan como factores en el desarrollo de la enfermedad de Raynaud.

- Las motosierras de STIHL están equipadas con un sistema antivibración ("AV"), diseñado para reducir la transmisión de las vibraciones de la motosierra a las manos del operador. Para reducir el riesgo de esta enfermedad y del síndrome de túnel carpiano:
 - Use guantes mientras trabaja y mantenga las manos abrigadas.
 - Mantenga la motosierra y el sistema AV en buenas condiciones. Si la motosierra posee componentes flojos o elementos AV dañados o desgastados, seguramente tendrá niveles más altos de vibración.
 - Mantenga afilada la cadena de aserrado. Una cadena sin filo aumentará el tiempo de corte, y el presionar una cadena roma a través de la madera aumentará las vibraciones transmitidas a las manos.
 - Agarre firmemente los mangos en todo momento, pero no los apriete con fuerza constante y excesiva. Tómese descansos frecuentes.
- Estas precauciones no garantizan que no sufra de la enfermedad de Raynaud o del síndrome de túnel carpiano.
 - Controle atentamente el estado de sus manos y dedos si es un usuario regular.
 - Consulte al médico de inmediato si aparece alguno de los síntomas mencionados anteriormente.
- El sistema de encendido de la máquina produce un campo electromagnético de intensidad muy baja. Este puede interferir con algunos tipos de marcapasos y dispositivos médicos implantados. Para reducir el riesgo de lesiones:
 - Sin embargo, las personas con marcapasos o con dispositivos médicos implantados deben consultar a su médico o al fabricante del dispositivo antes de utilizar esta motosierra.

5.3 Equipos de protección personal

⚠ ADVERTENCIA

- Para reducir el riesgo de lesiones personales:
 - Siempre use ropa adecuada y trajes protectores, incluidas gafas protectoras adecuadas.
- Si el cabello, la ropa o los trajes entran en contacto con la cadena de aserrado en movimiento o se enredan en los componentes de la sierra, podrían perderse el control y producirse lesiones cortantes graves. Para reducir el riesgo de lesiones personales graves:



- Use ropa resistente y ajustada que permita una completa libertad de movimiento.
- Use el tipo de monos, pantalones largos o chaparreras que contengan protectores de material resistente a los cortes.
- Use una camisa de manga larga o una chaqueta.
- Evite el uso de chaquetas sueltas, bufandas, corbatas, pantalones acampanados o con vueltas, joyas o cualquier otra vestimenta que pueda engancharse en las ramas, matorrales o la cadena en movimiento.
- Sujétese el cabello por encima de los hombros antes de empezar a trabajar.

- Para reducir el riesgo de lesiones oculares:



- Siempre utilice gafas o anteojos protectores bien ajustados con protección lateral resistentes a impactos y que porten designaciones que indiquen que cumplen con la norma ANSI Z87 «+».
- Para reducir el riesgo de lesionarse la cara, STIHL recomienda usar también una careta o protector facial adecuado sobre las gafas o anteojos de seguridad.

- Para reducir el riesgo de lesiones en la cabeza debido a las ramas o los objetos encontrados que caen durante el trabajo:

- Use un casco protector aprobado.

- La exposición prolongada al ruido emitido por la herramienta podría causarle daños permanentes al oído. Para reducir el riesgo de lesiones auditivas:



- Use barreras de sonido (tapones u orejeras).
- Los operadores regulares deben someterse con frecuencia a un examen de control auditivo.
- Esté especialmente alerta y atento al usar protección auditiva. Su capacidad para oír gritos, alarmas u otras advertencias sonoras estará restringida.

- Es muy importante tener una buena superficie de apoyo para los pies. Para ayudar a mantener un punto de apoyo seguro y reducir el riesgo de lesiones mientras trabaja:



- Póngase botas gruesas con suela antideslizante. Recomendamos las botas de seguridad con puntera de acero. Nunca use sandalias, ojotas, zapatos que dejen los dedos descubiertos ni calzado de ese tipo.

- Para mejorar el manejo y ayudar a proteger las manos:



- Siempre use guantes de trabajo gruesos antideslizantes de cuero o de otro material resistente al desgaste para manipular la motosierra o su cadena.

5.4 Motosierra

⚠ ADVERTENCIA

- La cadena de aserrado tiene muchas picas afiladas. Si las picas llegan a tocarle, causarán laceraciones graves, aun si la cadena no se está moviendo. Para reducir el riesgo de este tipo de lesiones:

- Mantenga las manos, los pies y cualquier otra parte del cuerpo lejos de la cadena.
- Use guantes resistentes al manipular la motosierra o la cadena.
- No toque nunca con las manos o cualquier parte del cuerpo la cadena que está en movimiento.
- Cubra la espada con una funda antes de transportar o guardar la motosierra para reducir el riesgo lesiones causadas por el contacto accidental.

- Las fuerzas reactivas, incluido el contragolpe, pueden ser peligrosas.


- Preste especial atención a la sección “Contragolpe y otras fuerzas reactivas” de este manual de instrucciones, 6.

- Para reducir el riesgo de lesiones personales al operador y a los espectadores:

- Siempre suelte el gatillo, aplique el freno de la cadena y apague el motor antes de armar, transportar, ajustar, inspeccionar, limpiar, darle servicio o mantenimiento o guardar la motosierra.
- Apague la motosierra cuando no esté en uso.

- Para reducir el riesgo de incendio y explosión:

- Use únicamente la bujía especificada en el presente manual de instrucciones y asegúrese de que tanto la bujía como el cable de encendido estén limpios y en buen estado.
- Siempre inserte el casquillo de la bujía bien apretado en el borne de la bujía del tamaño adecuado.
- No pruebe nunca el sistema de encendido con el casquillo desconectado de la bujía, o sin tener instalada la bujía.

- Aunque algunos accesorios no autorizados podrían encajar con las motosierras STIHL, su uso podría resultar extremadamente peligroso. Utilice únicamente los accesorios suministrados por STIHL o expresamente autorizados por STIHL para usarse con este modelo específico de máquina.
 - Use solo los accesorios suministrados o expresamente aprobados por STIHL.
 - No realice modificaciones de ningún tipo en esta motosierra.
 - Nunca intente modificar ni anular los controles ni los dispositivos de seguridad de la motosierra de ningún modo.
 - Nunca utilice una motosierra que haya sido modificada o alterada, apartándose de su diseño original.
- Toda modificación del silenciador o del chispero podría causar un aumento en el calor irradiado, las chispas o el nivel de ruidos, aumentándose así el riesgo de incendios, quemaduras o pérdidas de capacidad auditiva. Además, se podría dañar permanentemente el motor.
 - Nunca modifique el silenciador ni el chispero.
- Si la motosierra se cae o se expone a fuertes impactos similares a los de una caída:
 - Asegúrese de que no se haya dañado, de que esté en buenas condiciones y de que funcione correctamente antes de seguir con el trabajo.
 - Compruebe que el sistema de combustible esté apretado y libre de fugas.
 - Compruebe que los controles y los dispositivos de seguridad, incluido el freno de la cadena, funcionen correctamente,  16.
 - Nunca trabaje con una motosierra dañada o defectuosa. Ante cualquier duda, pídale a un concesionario de servicio de STIHL autorizado que revise la motosierra.
- Los repuestos genuinos de STIHL han sido diseñados específicamente para su motosierra y satisfacen los requisitos de seguridad y de rendimiento. El uso de

componentes no autorizados o no aprobados por STIHL puede causar lesiones graves o mortales y daños a la propiedad.

- STIHL recomienda que solo se utilicen repuestos STIHL idénticos.

5.5 Instrucciones para el llenado de combustible

Combustible

ADVERTENCIA

- La gasolina y sus vapores son sumamente inflamables. La motosierra STIHL utiliza una mezcla de aceite y gasolina como combustible. Si se derrama y arde a causa de una chispa u otra fuente de ignición, puede provocar un incendio y quemaduras graves o daños a la propiedad.



- Tenga sumo cuidado cuando manipule gasolina o la mezcla de combustible.
- No fume cerca del combustible, ni acerque ningún fuego o llama expuesta a la motosierra o el combustible.
- Puede escapar vapor inflamable del sistema de combustible.

Elija un lugar seguro para cargar combustible

ADVERTENCIA

- Para reducir el riesgo de incendios y explosiones durante la carga de combustible:



- Cargue la motosierra con combustible en una zona bien ventilada, a la intemperie, alejado de llamas, pilotos, calentadores, motores eléctricos y otras fuentes de encendido. Una chispa o llama que está a varios metros de distancia puede encender los vapores.
- Elija un punto de suelo raso para cargar el combustible y aléjese 3 m (10 pies) por lo menos de ese punto antes de arrancar el motor.
- Limpie todo el combustible derramado antes de arrancar la motosierra.
- Tenga cuidado de no mancharse la ropa con combustible. Si la mancha, cámbiesela inmediatamente.

Permita que la sierra se enfríe antes de quitar la tapa del depósito de combustible

⚠ ADVERTENCIA

- Dentro del depósito de combustible se puede acumular presión de los vapores del combustible. La magnitud de la presión depende de varios factores, tales como el tipo de combustible empleado, la altitud y la temperatura. Para reducir el riesgo de quemaduras y otras lesiones personales causadas por los escapes de vapores de gas y humo:
 - Siempre apague el motor y deje que se enfríe antes de quitar la tapa del depósito de combustible.
- El motor es enfriado por aire. Cuando está apagado, ya no se aspira aire de enfriamiento por el cilindro y la temperatura del motor aumentará por varios minutos antes de que empiece a enfriarse. En entornos calientes, el enfriamiento tarda más. Para reducir el riesgo de quemaduras y otras lesiones personales causadas por los escapes de vapores de gas y humo:
 - Deje que la motosierra se enfríe. Si resulta necesario cargar combustible antes de finalizar un trabajo, apague el motor y permita que el motor se enfríe antes de abrir el depósito de combustible.

Rocío o “efecto géiser” del combustible

⚠ ADVERTENCIA

- Si se quita la tapa del depósito de combustible cuando está a presión, se podría causar la liberación explosiva de gasolina, vapores y humos en todas las direcciones. Los escapes de gasolina, vapores o humos pueden causar lesiones personales graves, incluso incendios y quemaduras, y daños a la propiedad, .
- El rocío de combustible, a veces descrito como “efecto géiser”, es la expulsión violenta de combustible, vapores y humo que puede suceder en condiciones calientes, o si el motor está caliente y se abre el depósito sin permitir que la sierra se enfríe de modo adecuado. Esto es más probable cuando el depósito está lleno a la mitad o más.
- La presión es causada por el combustible y el calor y puede acumularse aun si el motor no ha estado en marcha. Cuando la gasolina del depósito se calienta (por la temperatura ambiente, el calor del motor u otras fuentes), la presión del vapor aumenta dentro del depósito.
- Algunas mezclas de combustible, en particular las mezclas de invierno, pueden presurizar al depósito más rápidamente o acumular presiones mayores. A alturas grandes, la presurización del depósito de combustible es más probable.

Cómo evitar el rocío de combustible

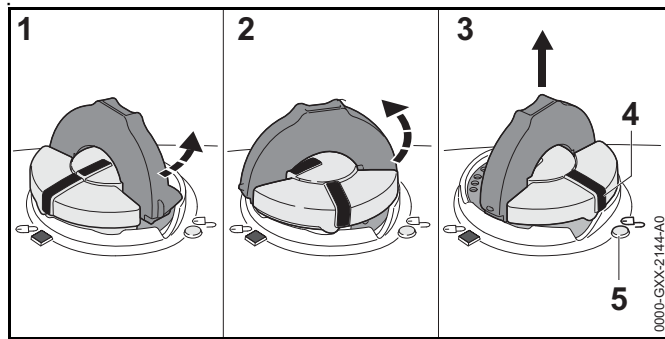
⚠ ADVERTENCIA

- Si se quita la tapa del depósito cuando está a presión, se podría causar la liberación explosiva de gasolina, vapores y humos en todas las direcciones. Para reducir el riesgo de quemaduras, lesiones graves y daños a la propiedad a causa del rocío de combustible:
 - Aténgase a las instrucciones de carga de combustible dadas en este capítulo.
 - Siempre suponga que el depósito de combustible está presurizado.
 - Permita que la sierra se enfríe antes de quitar la tapa.

- Si resulta necesario cargar combustible antes de finalizar un trabajo, apague la máquina y permita que el motor se enfríe antes de quitar la tapa de combustible.
- En entornos calientes, el enfriamiento tarda más.
- El motor es enfriado por aire. Cuando está apagado, ya no se aspira aire de enfriamiento por el cilindro y la temperatura del motor aumentará por varios minutos antes de que empiece a enfriarse.
- Después de que la motosierra se haya apagado debidamente, atégase a las instrucciones de seguridad dadas en este capítulo para quitar la tapa.
 - Nunca quite la tapa por medio de girarla directamente a la posición abierta.
 - Primero revise si hay presión residual por medio de girar la tapa lentamente a la posición de ventilación, aproximadamente 1/8 de vuelta en sentido contrahorario.
 - Utilice solamente combustible de buena calidad, adecuado para la temporada (mezcla de invierno o de verano). Algunas mezclas de combustible, en particular las mezclas de invierno, son más volátiles y pueden contribuir al rocío de combustible.

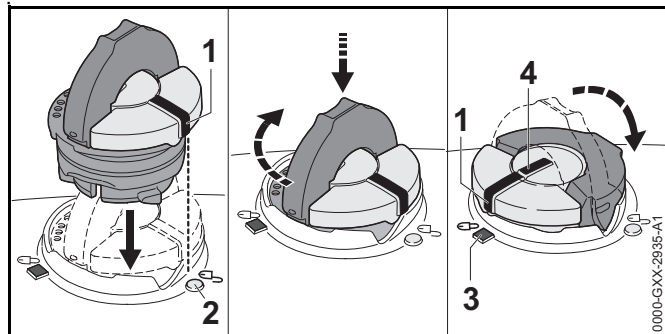
Cómo quitar la tapa de combustible sin herramientas: Gire lentamente y deténgase en la posición de ventilación

▲ ADVERTENCIA



- Después de permitir que la motosierra se enfríe, quite la tapa de llenado de combustible de modo lento y cuidadoso para liberar la presión acumulada en el depósito:
 - Gire la empuñadura hacia arriba y presione la tapa hacia abajo con firmeza (1).
 - Mientras continúa aplicando presión hacia abajo de modo continuo, gire la tapa lentamente en sentido contrahorario a la posición de ventilación (2), aproximadamente 1/8 de vuelta.
 - Si se produce una ventilación significativa, de inmediato vuelva a cerrar el depósito por medio de girar la tapa en sentido horario a la posición cerrada. Permita que la sierra se enfríe adecuadamente antes de abrir el depósito.
 - Gire la tapa a la posición abierta (3) solamente después de que el contenido del depósito ya no se encuentre bajo presión. En la posición abierta, la marca de posición exterior (4) de la tapa queda alineada con el símbolo de "desbloqueo" (5) en la carcasa del depósito de combustible.
 - Nunca quite la tapa por medio de girarla directamente a la posición abierta, sin antes permitir que la sierra se enfríe y luego liberando la presión residual en la posición de ventilación (2).
 - Nunca quite la tapa mientras el motor esté caliente o en marcha.

Instalación de la tapa de combustible sin herramientas

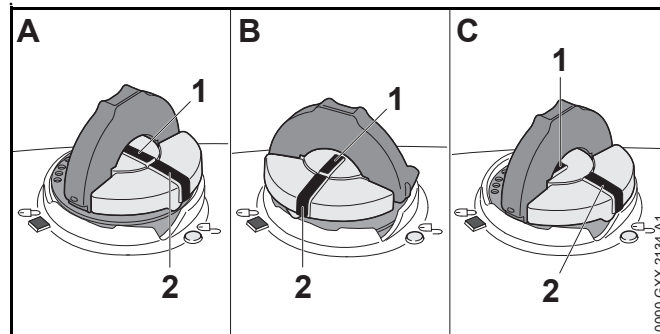
⚠ ADVERTENCIA

- Si la tapa de combustible está mal apretada, la misma puede soltarse o salirse y causar el derramamiento del combustible. Para reducir el riesgo de derramar combustible y provocar un incendio debido a una tapa de combustible mal instalada, coloque la tapa en la posición correcta y apriétela en la boca de llenado del depósito:
 - Levante la empuñadura en la parte superior de la tapa hasta dejarla vertical a un ángulo de 90°. Inserte la tapa en la abertura del depósito de combustible con la marca de posición exterior (1) alineada con el símbolo de “desbloqueado” (2) del depósito.

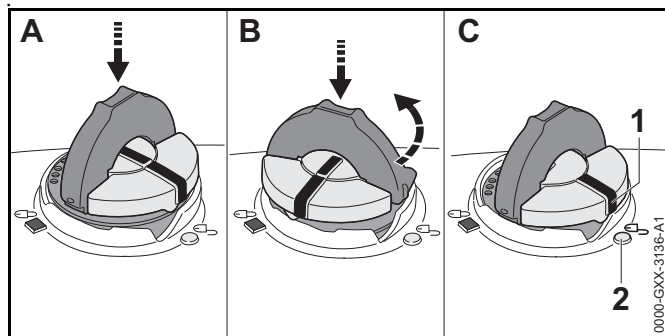
- Utilice la empuñadura para oprimir la tapa firmemente hacia abajo mientras la gira en sentido horario a la posición cerrada (aproximadamente 1/4 de vuelta). En la posición cerrada, las marcas de posición interior (4) y exterior (1) quedan alineadas con el símbolo de “bloqueado” (3) del depósito de combustible.
- Doble la empuñadura dejándola a ras con la parte superior de la tapa para apretarla.
- Si la empuñadura no queda completamente a ras con la tapa y el tope de la empuñadura no encaja en la hendidura correspondiente de la abertura de llenado, o si la tapa está floja, la tapa no está debidamente asentada ni apretada y es necesario repetir los pasos previamente descritos. Consultar el

procedimiento dado a continuación para colocar la base de la tapa en la posición inicial adecuada para instalarla.

Tapa desalineada, dañada o rota

⚠ ADVERTENCIA


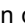
- Si la tapa no encaja completamente en la abertura del depósito de combustible cuando se alinean las marcas de posición (1, 2) y/o si la tapa no se aprieta debidamente al girarla, la base de la tapa puede haber girado prematuramente con relación a la parte superior. Tal desalineación puede ser resultado de la manipulación, limpieza o un intento incorrecto de apriete.
 - Ilustraciones A y B: La base de la tapa ha girado prematuramente a la posición cerrada y no se encuentra en la posición inicial adecuada para hacerla girar. El depósito no queda sellado en esta configuración. Nota: En las ilustraciones A y B, las marcas de posición interiores (1) están alineadas con las marcas exteriores (2).
 - Ilustración C: La parte inferior de la tapa se encuentra en la posición correcta para instalarla. Nota: En la ilustración C, la marca de posición interior (1) se encuentra debajo de la empuñadura y no está alineada con las marcas exteriores (2).



- Para colocar la base de la tapa en la posición inicial adecuada para instalarla:
 - Deje caer la tapa en la abertura (A) del depósito de combustible.
 - Gire la tapa en sentido contrahorario, aplicándole una presión leve, hasta que se asiente completamente en la abertura del depósito de combustible (aprox. 1/4 de vuelta) (B). Esto gira la base de la tapa a la posición inicial adecuada para instalarla (C). La marca de posición exterior (1) de la tapa quedará alineada con el símbolo de “desbloqueado” en la carcasa del depósito de combustible. La marca de posición interior se encuentra debajo del mango y no está alineada con las marcas exteriores (1).
 - Luego gire la tapa en sentido horario, cerrándola de modo normal.
- Si no es posible apretar la tapa del depósito de combustible adecuadamente, la misma podría no ser la adecuada o está averiada. Suspenda el uso de la máquina y llévela al concesionario autorizado de STIHL para que la repare.

Bloqueo de vapor





⚠ ADVERTENCIA

- El bloqueo de vapor sucede cuando el combustible se vaporiza en los conductos o en el carburador, lo cual produce burbujas que obstruyen el flujo libre del combustible líquido hacia el carburador.
- No es posible aliviar ni afectar el bloqueo de vapor por medio de abrir el depósito de combustible. Si se quita la tapa de llenado de combustible sin antes permitir que la motosierra se enfríe de manera adecuada, se puede causar el rocío de combustible. Siempre atégase a las instrucciones dadas en esta sección al quitar la tapa del depósito de combustible.
- Para aliviar el bloqueo de vapor:
 - Coloque la palanca de control maestro en la posición de arranque en frío  y tire de la cuerda de arranque aproximadamente 20 veces para desalojar el vapor y enviar combustible líquido al carburador.
 - Para arrancar la motosierra, mueva la palanca de control maestro a la posición de arranque  y tire de la cuerda de arranque aproximadamente 10 veces.
 - Si la motosierra no arranca, o si vuelve a producirse el bloqueo de vapor, la motosierra está usándose en condiciones demasiado extremas para el combustible utilizado. Suspenda el uso y permita que el motor se enfríe completamente antes de intentar el arranque de la motosierra.
 - El uso de combustible de buena calidad y fresco (almacenado por menos de 30 días) también puede contribuir a reducir la incidencia del bloqueo de vapor.


5.6 Uso de la motosierra

5.6.1 Antes de usar

⚠ ADVERTENCIA

- Un uso inadecuado o no autorizado puede causar lesiones personales o daños materiales.
 - Use la motosierra solo como se describe en este manual de instrucciones.
- Para el armado correcto de la espada y de la cadena:
 - Lea y respete las instrucciones de montaje de la espada y de la cadena,  10.2.1.
- La cadena, la espada y el piñón deben coincidir unos con otros en lo que respecta al calibre y al paso. Antes de montarlos o de sustituirlos:
 - Lea la información acerca de las combinaciones de espadas y cadenas,  25.
 - Lea y tenga en cuenta las instrucciones sobre contragolpes y otras fuerzas reactivas,  6.
 - Seleccione la espada más corta que cumpla con sus necesidades de corte. Las espadas más largas agregan peso y pueden ser más difíciles de controlar.
- El tensado adecuado de la cadena es extremadamente importante para maximizar el rendimiento de corte y para reducir el riesgo de lesiones provocadas por una rotura o por un descarrilamiento de la cadena, o por las fuerzas reactivas:
 - Nunca corte si la cadena está floja. Si la cadena se afloja durante el corte, aplique el freno de la cadena y apague el motor antes de tensarla. Nunca intente ajustar la cadena con el motor en marcha.
 - Lea y respete las instrucciones de tensado de la cadena,  10.3.
 - Asegúrese siempre de que la cubierta del piñón de la cadena queda firmemente apretada después de tensar la cadena a fin de asegurar la espada. Nunca arranque la motosierra si la cubierta del piñón de la cadena está suelta o falta.
- Compruebe la tensión de la cadena una vez más después de apretar la cubierta del piñón de la cadena.
- Después de ajustar la cadena, deje el motor en marcha durante uno o dos minutos y luego apáguelo, aplique el freno de la cadena y vuelva a comprobar la tensión de la misma.
- Compruebe la tensión de la cadena periódicamente de allí en adelante en intervalos regulares (siempre después de aplicar el freno de la cadena y de apagar el motor).
- Para reducir el riesgo de incendio y explosión:
 - Revise el sistema de combustible y compruebe si tiene fugas, prestando especial atención a las partes visibles (p. ej., a la tapa de llenado y a las conexiones de manguera).
 - Coloque el casquillo en la bujía de modo que quede montado de forma segura.
 - No arranque el motor si el sistema de combustible tiene fugas o si la sierra presenta cualquier otro daño. Solicite a un concesionario autorizado de STIHL que repare la motosierra antes de usarla.
- El uso de una motosierra que se ha modificado, que está dañada, mal ajustada o no se ha mantenido debidamente puede provocar una avería y aumentar el riesgo de lesiones graves o incluso mortales.
 - No utilice nunca una motosierra que se haya modificado, que esté dañada o mal mantenida, o que no se haya montado completamente y de forma segura.
 - Compruebe siempre si la motosierra está en buenas condiciones y si funciona correctamente antes de empezar a trabajar. Preste especial atención al gatillo, al bloqueo del gatillo, a la palanca de control maestro, al protector de la mano delantera, al freno de la cadena y al accesorio de corte.
 - Asegúrese de que el gatillo de aceleración y su bloqueo se mueven libremente y de que regresan siempre a la posición de marcha en vacío cuando los suelta. El gatillo de aceleración no debe poder


oprimirse hasta que se aprieta el bloqueo del gatillo. La palanca de control maestro debe moverse fácilmente a la posición de **PARADA**.

- Nunca intente modificar ni anular en modo alguno los controles ni los dispositivos de seguridad.
- Si la sierra o cualquiera de sus piezas está dañada o no funciona correctamente, llévelas a un concesionario de servicio STIHL autorizado. No use la sierra si no se ha solucionado el problema.
- Antes de arrancar el motor y de soltar el freno de la cadena, dé los pasos que figuran a continuación para reducir el riesgo de lesiones causadas por fuerzas reactivas, por una pérdida de control o por un contacto accidental con la cadena:
 - Asegúrese de mantener la espada y la cadena alejadas de su cuerpo y de cualquier otro obstáculo u objeto, incluido el suelo.
 - Nunca intente arrancar ni acelerar el motor mientras la espada está dentro de una ranura de corte o entalla. Hacerlo podría generar fuerzas reactivas y causar lesiones.
 - Lea y siga las instrucciones de encendido de la motosierra,  14.4.

5.6.2 Arranque

ADVERTENCIA

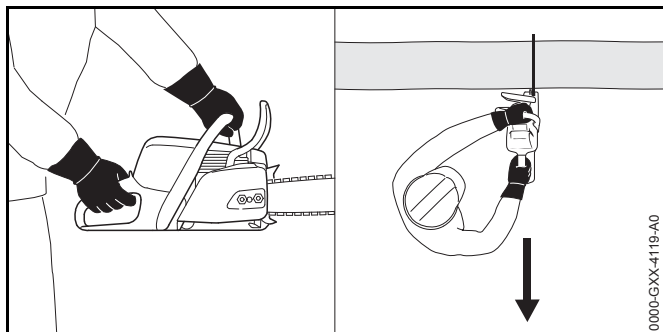
- Para reducir el riesgo de quemaduras y otras lesiones personales causadas por los escapes de vapores de gas y humo:
 - Aléjese por lo menos 3 m (10 pies) del punto de abastecimiento de combustible antes de arrancar el motor.
 - Arranque la motosierra únicamente a la intemperie.

- Para reducir el riesgo de lesionarse por el contacto con la cadena y/o por fuerzas reactivas:
 - Aplique el freno de la cadena antes de arrancar la motosierra.
- Para reducir el riesgo de que el operador u otras personas sufran lesiones graves o mortales por la pérdida del control:
 - Arranque la motosierra solamente de la manera descrita en el capítulo “Arranque” del presente manual,  14.4.
 - Nunca arranque el motor por lanzamiento de la máquina. Arrancar por lanzamiento significa que el operador empuja la máquina alejándola de sí, o la deja caer hacia el suelo mientras que tira del mango de arranque. Este método es muy peligroso, porque usted podría perder el control de la motosierra.
 - Cuando tire del mango de arranque, no enrolle la cuerda de arranque alrededor de la mano.
 - No deje que el mango de arranque retorne bruscamente. Guíe la cuerda de arranque de modo que se enrolle debidamente.
 - Asegúrese que la espada y la cadena estén alejadas de su persona y de las demás obstrucciones y objetos, incluyendo el suelo. Nunca intente arrancar la motosierra mientras la espada está dentro de una ranura de corte o entalla.
 - Siempre aplique el freno de la cadena antes de arrancar el motor. Después de arrancar, la velocidad del motor con el bloqueo de aceleración de arranque activado será lo suficientemente rápida para que el embrague engrane el piñón y, si el freno de la cadena no está activado, hará que gire la cadena.
 - Tan pronto arranque, accione inmediatamente por un breve momento el gatillo de aceleración para desplazar la palanca de control maestro a la posición de marcha y permitir que el motor se desacelere a marcha en vacío.
- Si se acelera el motor con el freno de la cadena aplicado o con cadena bloqueada de alguna manera (es decir, sin poder moverse), se aumenta la carga y se provoca el

patinaje continuo del embrague. Esto puede ocurrir si se acciona el acelerador por más de unos pocos segundos con la cadena aprisionada en la ranura de corte o cuando el freno de la cadena está aplicado. Para reducir el riesgo de sobrecalentamiento y daños de componentes importantes (por ejemplo, componentes de la caja fabricados de polímero):

- Siempre desconecte el freno de la cadena antes de acelerar el motor y antes de iniciar el trabajo de corte. La única excepción a esta regla es cuando se está probando el funcionamiento del freno de la cadena.

5.6.3 Sujeción y control de la motosierra



⚠ ADVERTENCIA

- Para sujetar con firmeza y controlar correctamente la motosierra:
 - Mantenga los mangos limpios y secos en todo momento. Protéjalos de la humedad, el alquitrán, el aceite, la grasa y la resina.
- Para reducir el riesgo de que el operador u otras personas sufran lesiones graves o mortales por la pérdida del control:



- Evite tocar cualquier objeto con el cuadrante superior de la punta de la espada. Podría ocurrir un contragolpe.



- Siempre sujete la motosierra firmemente con ambas manos mientras trabaja.

- Coloque la mano izquierda en el mango delantero y la derecha sobre el mango trasero (ver la ilustración anterior). Los zurdos también deben seguir estas instrucciones.
- Envuelva los dedos firmemente en los mangos, manteniéndolos sujetos entre los dedos índice y pulgar.
- Coloque la motosierra en una posición tal que todas las partes del cuerpo estén lejos del accesorio de corte cuando el motor está funcionando. Párese a la izquierda del corte durante el tronzado, fuera del plano de corte (ver la ilustración anterior).
- Lea y atégase a las advertencias e instrucciones dadas en el capítulo Contragolpe y fuerzas reactivas, 6.

- Poner la motosierra en funcionamiento con una mano es extremadamente peligroso. La operación con una sola mano hace que sea más difícil resistir y absorber las fuerzas reactivas (rechazo, tirón, contragolpe) sin perder el control de la motosierra. También dificulta la prevención del patinaje o del rebote de la espada y la cadena en una rama o un tronco. Para reducir el riesgo de que el operador o los espectadores sufran lesiones graves o mortales causadas por la pérdida de control:



- Nunca intente manejar la motosierra con una sola mano.

- Para reducir el riesgo de que el operador o los espectadores sufran lesiones graves o mortales causadas por la pérdida de control, mantenga siempre un punto de apoyo seguro y el equilibrio:
 - Tenga sumo cuidado cuando trabaje en terreno con mucha vegetación o húmedo, y para evitar tropezarse o caerse, siempre esté atento a los obstáculos ocultos, tales como tocones, raíces, piedras, hoyos y zanjas.
 - Sea sumamente precavido cuando trabaje en declives o terreno irregular.
 - Para obtener un punto de apoyo seguro, quite siempre las ramas caídas, los matorrales y el material cortado. Los troncos recientemente descortezados y otros materiales pueden aumentar el peligro de resbalarse, tropezarse o caerse.
 - Proceda con mucho cuidado cuando corte matorrales pequeños, ramas y arbolitos, ya que el material fino puede enredarse en la cadena y ser expulsado contra usted o hacer que pierda el equilibrio.
- Para reducir el riesgo de lesionarse por la pérdida del control:



- No trabaje sobre una escalera, sobre un techo, en un árbol o cualquier otro punto de apoyo que no sea seguro.
- Nunca ponga la motosierra en funcionamiento a una altura más arriba de los hombros.
- No trate de llegar más lejos de lo debido. Mantenga los pies bien apoyados y equilibrados en todo momento.
- Nunca intente arrancar ni acelerar el motor mientras la espada está dentro de una ranura de corte o entalla. Hacerlo podría generar fuerzas reactivas y causar lesiones. En lugar de ello, saque la espada del corte y vuélvala a introducir con la máquina a velocidad máxima, procurando evitar tocar objeto alguno con la punta de la espada.

- La púa de tope está diseñada para proporcionar un mayor control de la motosierra durante el corte. Si trabaja sin la púa de tope, la motosierra podría tirarlo bruscamente hacia adelante. Esto podría causar la pérdida de control o, si la punta de la espada golpea un objeto, un contragolpe.
 - Coloque la púa de tope de la sierra contra el material que se esté cortando y úsela como punto de apoyo.
 - Para mantener un mejor control de la motosierra, siempre trabaje con la púa de tope.
- Aplicar presión a la motosierra al llegar al extremo del corte puede hacer que la espada y la cadena en movimiento salten fuera de la ranura de corte o entalla, se pierda el control de la máquina y esta golpee al operador o algún otro objeto. Para reducir el riesgo de lesiones:
 - Tenga cuidado al acercarse al extremo de un corte.
 - Nunca ejerza presión sobre la motosierra cuando llegue al final del corte.
 - STIHL recomienda que los usuarios inexpertos trabajen bajo la supervisión de un operador con experiencia.

5.6.4 Condiciones de trabajo

⚠ ADVERTENCIA

- Ponga la motosierra en funcionamiento solamente en condiciones de buena visibilidad y a la luz del día.
 - Posponga los trabajos si el tiempo está ventoso, con neblina, lluvioso o inclemente.
 - Nunca corte cerca de líneas eléctricas.
- La motosierra es una máquina para una sola persona.
 - No deje que otras personas estén en el lugar de trabajo.
 - No se debe permitir la proximidad de otras personas, especialmente de niños, ni de animales en los lugares donde se esté utilizando la máquina.
 - Apague el motor inmediatamente si se le aproxima alguna persona. Aplique el freno de la cadena.

- Para reducir el riesgo de lesiones a los espectadores y usuarios no autorizados:
 - No deje la motosierra desatendida con el motor en marcha.
 - Apague el motor y aplique el freno de la cadena durante los periodos de descanso y cualquier otro momento en que la motosierra no esté en uso.
- Para reducir el riesgo de incendio y explosión:
 - No ponga en funcionamiento la motosierra en un lugar donde haya gases, líquidos, vapores, polvos u otros materiales y sustancias combustibles.
 - Siempre mueva la palanca de control maestro a la posición de parada **0** antes de tirar del mango de arranque, si se le ha quitado el casquillo a la bujía.
 - Lea y atégase a las recomendaciones dadas por autoridades gubernamentales para identificar y evitar los peligros que representan gases combustibles, líquidos, vapores, polvos y otros materiales y sustancias combustibles.
 - Nunca modifique el silenciador ni el chispero de la motosierra.
- Si una cadena en movimiento chocara contra una roca u otro objeto macizo, se podrían despedir chispas capaces de encender materiales inflamables en determinadas circunstancias. Entre los materiales inflamables se incluyen la vegetación y matorrales secos, en particular cuando el estado del tiempo es caliente y seco.
 - Si existe un riesgo de incendio leve o grave, no use la motosierra alrededor de materiales inflamables, ni para cortar vegetación o arbustos secos.
 - Comuníquese con las autoridades locales de control de incendios o con el Servicio forestal de los EE. UU. si tiene alguna duda en cuanto a las condiciones de la vegetación y el estado del tiempo para el uso de una motosierra.
- Tan pronto arranca, el motor genera vapores de escape tóxicos que contienen productos químicos, tales como hidrocarburos sin quemar (incluyendo el benceno) y monóxido de carbono, los cuales son considerados como causantes de enfermedades respiratorias, cáncer,

defectos de nacimiento y otros tipos de toxicidad reproductora. Algunos de estos gases (por ej., monóxido de carbono) pueden ser incoloros e inodoros. Para reducir el riesgo de sufrir lesiones graves o mortales causadas por la inhalación de gases tóxicos de escape:



- Nunca use la motosierra puertas adentro, en espacios confinados o en lugares con ventilación deficiente.
 - Si los vapores de escape llegan a concentrarse debido a la falta de ventilación, despeje las obstrucciones de la zona de trabajo. Asegúrese de tener ventilación adecuada antes de proceder.
- El uso de esta motosierra y el afilado de la cadena pueden generar polvo, vapores de aceite y otras sustancias que contengan compuestos químicos considerados como causantes de enfermedades respiratorias, cáncer, defectos de nacimiento y otros tipos de toxicidad reproductora.
 - Consulte con agencias gubernamentales tales como EPA, OSHA, CARB y NIOSH, al igual que otras fuentes fidedignas sobre materiales peligrosos si desconoce los riesgos asociados con las sustancias particulares que está cortando o con las cuales está trabajando.
 - La inhalación de ciertos polvos, especialmente los polvos orgánicos, tales como el moho o polen, puede provocar reacciones alérgicas o asmáticas en las personas sensibles. La inhalación repetida o de grandes cantidades de polvo u otros contaminantes del aire, especialmente los de partículas pequeñas, puede causar enfermedades respiratorias o de otro tipo. Esto incluye el polvo,

especialmente de las maderas duras, pero también de algunas maderas blandas, tales como el cedro rojo occidental.

- Controle el polvo (tal como el aserrín), los vapores (tales como la neblina de aceite causada por la lubricación de la cadena) en su punto de origen, cuando sea posible.
- Trabaje siempre con una cadena correctamente afilada, que produzca virutas de madera en vez de polvo fino.
- En la medida de lo posible, ponga la motosierra en funcionamiento de modo que el viento o el proceso de operación dirijan cualquier polvo, vapor u otras partículas generados por la motosierra en dirección contraria al operador.
- Si no es posible mantener el polvo inhalable y otras partículas a niveles de fondo o aproximadamente de fondo, siempre utilice una mascarilla aprobada por NIOSH y con capacidad adecuada para las condiciones específicas del sitio. Siga las recomendaciones dadas por entidades gubernamentales (por ejemplo: OSHA/NIOSH) y asociaciones laborales y comerciales.
- Si la vegetación que corta o el terreno están cubiertos por una sustancia química, como pesticida o herbicida:
 - Lea y siga las instrucciones y advertencias que acompañan a la sustancia que cubre la vegetación o el terreno.
- La aspiración del polvo de asbesto es peligrosa y puede causar lesiones graves o mortales, enfermedades de las vías respiratorias o cáncer, incluido el mesotelioma. El uso y la eliminación de los productos que contienen asbesto están estrictamente reglamentados por OSHA y EPA.
 - No utilice la motosierra para cortar ni alterar productos de asbesto o que contengan asbesto.
 - Suspenda el trabajo de inmediato y comuníquese con las autoridades competentes estatales y locales y/o con la EPA, con la empresa o con el representante local de OSHA, si tiene razones para creer que está perturbando asbesto.

- El contacto frecuente con aceite de desecho puede causar cáncer de piel y su uso es dañino para el medioambiente.
 - No use aceite de desecho para lubricar la espada y la cadena de la motosierra STIHL.

5.6.5 Instrucciones de manejo

ADVERTENCIA

- En caso de emergencia:
 - Apague el motor de inmediato y aplique el freno de la cadena.
- Para reducir el riesgo de lesiones causadas por una pérdida de control y/o por contacto con la cadena:
 - No use la motosierra si la marcha en vacío está ajustada incorrectamente. Si la velocidad de marcha en vacío está ajustada correctamente, la cadena no debería moverse cuando la sierra funciona en marcha en vacío. Encontrará las instrucciones sobre cómo ajustar la velocidad de marcha en vacío en el apartado "Ajuste de marcha en vacío" de este manual de instrucciones.
 - Si no puede fijar la velocidad de marcha en vacío correcta, solicite a su concesionario STIHL que revise la motosierra y que haga los ajustes o las reparaciones que correspondan.

- Para reducir el riesgo de lesiones graves provocadas por un arranque accidental de la máquina:
 - Nunca toque la cadena con la mano ni con ninguna otra parte del cuerpo cuando el motor esté en marcha, aunque la cadena no esté girando.
- La cadena continúa moviéndose durante un periodo breve después de soltar por completo el gatillo. Es lo que se conoce como "efecto de volante". Para reducir el riesgo de lesiones graves por contacto con la cadena:
 - Espere a que la cadena se detenga y aplique el freno de la cadena antes de caminar con la motosierra o de colocarla en el suelo.
- Su motosierra está equipada con un retenedor de la cadena. Está diseñado para reducir el riesgo de lesiones en el caso de que la cadena se desprenda o se rompa.
 - Nunca use la motosierra si el retenedor de la cadena está dañado o falta.
- El contacto con objetos extraños durante el serrado puede hacer que la cadena se rompa o salga despedida, que la motosierra lance desperdicios peligrosos o que se produzca un contragolpe en dirección al operador. Para reducir el riesgo de lesiones graves o mortales provocadas por el contacto con objetos extraños:
 - Inspeccione el árbol, el tronco o la rama antes de cortarlos.
 - Retire todos los objetos extraños para asegurarse de que la madera está libre de materiales como clavos, puntas, cables o alambres.
 - Antes de empezar a cortar, asegúrese de que el corte se puede completar sin que la máquina entre en contacto con objetos o estructuras de los alrededores, como obras de cantería o vallas.
- Revise la motosierra, la cadena y la espada con regularidad y frecuencia durante el trabajo, o inmediatamente si nota cambios importantes en las características de corte:
 - Apague el motor y aplique el freno de la cadena.
 - Los elementos antivibración que presenten daños, roturas o desgaste deben sustituirse de inmediato. Si se siente una "esponjosidad" en la sierra o un aumento de la vibración o de la tendencia al "hundimiento" durante el manejo normal, pueden ser indicios de algún daño, de una rotura o de un desgaste excesivo.
- Los elementos antivibración siempre deben sustituirse en juegos. Si tiene alguna duda sobre si es preciso sustituir los elementos antivibración, consulte a su concesionario de servicio de STIHL autorizado.
- Revise el estado y la tensión de la cadena. Compruebe si la cadena o la espada presentan daños.
- Si no se puede tensar la cadena correctamente, o si la sierra tiene componentes desgastados o dañados, suspenda el trabajo de inmediato y lleve la sierra a un concesionario de servicio de STIHL autorizado para la revisen, la reparen o lleven a cabo el mantenimiento.
- El silenciador y otros componentes del motor (p. ej., las aletas del cilindro, la bujía), se calientan durante el funcionamiento y permanecen calientes durante un tiempo una vez apagado el motor. Para reducir el riesgo de quemaduras:
 - Espere a que el motor se enfríe antes de revisar, transportar o guardar la motosierra. Evite el contacto con el silenciador mientras está caliente tras el funcionamiento.
 - Mantenga limpia la zona que rodea el silenciador. Nunca use la motosierra si faltan los tapones del silenciador. Elimine el exceso de lubricante y cualquier otro residuo, como agujas de pinos, ramas u hojas.
 - Espere a que la motosierra se enfríe apoyada sobre una superficie de hormigón, metal, suelo raso o madera maciza (p. ej., el tronco de un árbol talado), alejada de cualquier sustancia combustible.
 - No continúe trabajando si la caja del cilindro está dañada o mal instalada, o si la envuelta del silenciador está dañada o deformada. Esto puede interferir en el proceso de enfriamiento del silenciador.

- El silenciador de esta motosierra está equipado con un chispero. Si la mezcla de gasolina y aceite es correcta (es decir, si no es demasiado rica), este chispero quedará limpio en condiciones normales como resultado del calor del silenciador, y no necesitará servicio ni mantenimiento. Para reducir el riesgo de incendios causados por partículas calientes que salen despedidas:
 - Nunca use la motosierra si el chispero falta o está dañado.
 - Si nota que el rendimiento de la máquina comienza a disminuir y sospecha que el chispero podría estar obstruido, solicite la reparación del silenciador. Para algunas aplicaciones, las leyes o los reglamentos estatales o federales pueden exigir el uso de un chispero en buenas condiciones de mantenimiento.
- En California, el uso de herramientas con motor de gasolina en tierras cubiertas por bosques, arbustos o pastos constituye una violación de los acápites § 4442 o § 4443 del Código de Recursos Públicos, a menos que el sistema de escape del motor cuente con un chispero que satisfaga los requisitos legales y reciba el mantenimiento adecuado para estar en buenas condiciones de funcionamiento. El propietario/operador de este producto es responsable de garantizar un mantenimiento adecuado del parachispas. Otros estados u otras entidades/agencias gubernamentales, tales como el Servicio Forestal de los EE.UU., pueden tener requisitos similares.
 - No utilice la motosierra cerca de materiales inflamables ni de vegetación o arbustos si existe riesgo de incendio leve o grave.
 - Póngase en contacto con las autoridades de su localidad o con el servicio forestal si tiene cualquier duda sobre las leyes y los reglamentos relacionados con los requisitos de protección contra incendios.

PELIGRO

- Para reducir el riesgo de electrocución:



- Nunca utilice esta motosierra cerca de alambres o cables que puedan conducir corriente eléctrica.
- Nunca corte cerca de cables de alimentación eléctrica.
- No confíe su seguridad al aislamiento de la motosierra contra descargas eléctricas.

6 Contragolpe y otras fuerzas reactivas

6.1 Fuerzas reactivas

ADVERTENCIA

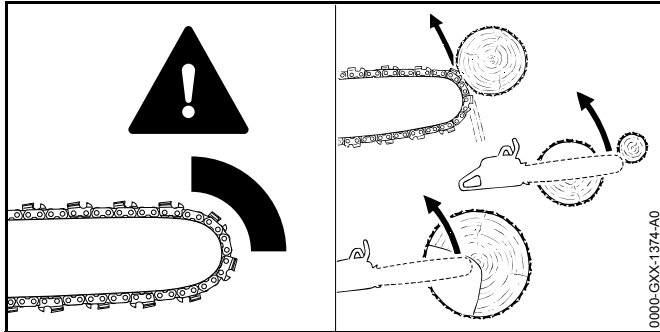
- Las fuerzas reactivas pueden ocurrir en cualquier momento mientras la cadena está girando. Las fuerzas reactivas pueden causar lesiones personales graves o la muerte.
- Las grandes fuerzas utilizadas para cortar madera pueden cambiar de sentido y actuar contra el operador. Si la cadena de aserrado en movimiento reduce su velocidad o se detiene repentinamente al tocar un objeto sólido, como un tronco o rama, o bien queda aprisionada, las fuerzas reactivas podrían generarse de inmediato.
- Esas fuerzas reactivas pueden causar la pérdida del control, lo que a su vez puede causar lesiones graves o mortales.
 - Una buena comprensión de las causas de estas fuerzas reactivas puede ayudarle a evitar el elemento de sorpresa y la pérdida del control. Las sorpresas repentinas contribuyen a los accidentes.

Las fuerzas reactivas más comunes son:

- Contragolpe
- Tirones
- Rechazo

6.2 Contragolpe

6.2.1 Contragolpe



⚠ ADVERTENCIA



El contragolpe puede ocurrir cuando la cadena en movimiento cerca del cuadrante superior de la punta de la espada toca un objeto sólido o queda aprisionada.

- Cuando esto sucede, la energía que impulsa a la cadena puede crear una fuerza que mueve a la motosierra en sentido opuesto al movimiento de la cadena, en el punto en el cual ésta reduce su velocidad o se detiene. Esto puede lanzar la espada hacia arriba y hacia atrás de manera instantánea, mayormente en el mismo plano de la espada, posiblemente causando lesiones graves o mortales al operador.
- Puede ocurrir un contragolpe, por ejemplo, cuando la cadena cerca del cuadrante superior de la punta de la espada choca contra la madera o queda aprisionada al cortar una rama, o si se la usa incorrectamente al comenzar a penetrar o avanzar en el corte.
- Cuanto mayor la fuerza de la reacción de rebote, tanto más difícil para el operador controlar la motosierra. Son muchos los factores que afectan la producción de contragolpes, así como su intensidad. Estos incluyen la velocidad de la cadena, la velocidad a la que la espada y

la cadena tocan el objeto, el ángulo de contacto, el estado de la cadena y con qué velocidad la cadena se ralentiza o detiene, entre otros factores.

- El tipo de espada y de cadena es un factor importante en la ocurrencia y la fuerza del contragolpe. Algunos tipos de cadenas y espadas de STIHL están diseñados para reducir las fuerzas de contragolpe.
- STIHL recomienda el uso de espadas de contragolpe reducido y cadenas de bajo contragolpe.

6.2.2 Normas para el contragolpe de las motosierras

Se aplican la normas siguientes con respecto al contragolpe:

- § 5.11 de ANSI/OPEI B175.1


Estas normas, denominadas en lo sucesivo “normas sobre contragolpe de las motosierras” en este capítulo, establecen determinados criterios de desempeño y diseño relacionados con el contragolpe de la motosierra.

Para cumplir con la norma aplicada al contragolpe de las motosierras:

- a) Las sierras con una cilindrada menor que 62 cm³ (3,8 pulg³)
 - deberán, en su condición original, cumplir con un ángulo de contragolpe derivado por computadora de 45° cuando se utilizan determinados accesorios de corte; y
 - deberán estar provistas con no menos de dos dispositivos que reduzcan el riesgo de lesionarse por contragolpes, tales como un freno de cadena, una cadena con contragolpe bajo, una espada de contragolpe reducido, etc.
- b) Las sierras con una cilindrada de 62 cm³ (3,8 pulg³) o más
 - deben tener por lo menos un dispositivo para reducir el riesgo de lesiones por contragolpe, tal como un freno de la cadena, cadena de bajo contragolpe, espada de contragolpe reducido, etc.

Los ángulos calculados por computadora para las motosierras que poseen una cilindrada inferior a 62 cm³ (3,8 pulg³) se miden mediante la aplicación de un programa informático para evaluar los resultados de una máquina experimental de contragolpes.

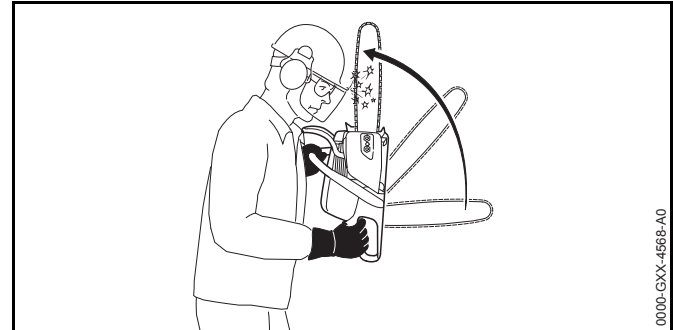
⚠ ADVERTENCIA

- El cumplimiento de las normas de contragolpe de la motosierra no implica que la espada y la cadena de aserrado rotarán a un máximo de 45° en un contragolpe real.
- Los ángulos calculados por computadora indicados en las normas de la motosierra pueden no tener ninguna relación con los ángulos reales de rotación de contragolpe de la espada que pueden ocurrir en una situación real de corte.
- Los dispositivos diseñados para reducir el riesgo de lesiones causadas por contragolpes pueden perder algo de su eficiencia cuando no están en sus condiciones originales, especialmente si no se han mantenido correctamente.
 - Lea y siga las precauciones e instrucciones de seguridad en este manual.
 - Al trabajar, siempre coloque la motosierra de modo que el cuerpo esté alejado del accesorio de corte y fuera del plano de corte.
 - Siga las instrucciones de mantenimiento y servicio en este manual.
- Para que la motosierra cumpla con las normas de contragolpe de la motosierra, use solo los siguientes accesorios de corte:
 - Combinaciones de espada y cadena compatibles enumeradas en “Combinaciones de espadas y cadenas de aserrado”,  25;
 - Otras combinaciones diferentes de espadas y cadenas de repuesto designadas como en cumplimiento con la norma para uso con la motosierra, o
 - Una cadena de repuesto designada como “cadena de aserrado de bajo contragolpe”.

6.2.3 Dispositivos para reducir el riesgo de lesiones por contragolpe

El freno rápido de la cadena Quickstop de STIHL y las espadas de contragolpe reducido y las cadenas de bajo contragolpe identificadas con la etiqueta verde de STIHL han sido diseñados para reducir el riesgo de lesiones causadas por contragolpe.

1. Freno rápido de la cadena Quickstop de STIHL

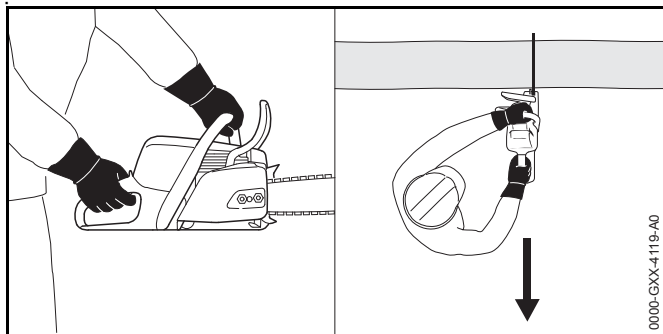


En una máquina debidamente mantenida, hay dos mecanismos que activan el freno de la cadena:

- Activación manual: Si se produce un contragolpe, la motosierra se moverá hacia arriba en dirección al operador, en un movimiento de rotación alrededor del mango delantero. El freno se aplica cuando la mano izquierda toca el protector delantero, que es la palanca de activación del freno, y lo empuja hacia delante.
- Activación por inercia: Todas las motosierras de STIHL están equipadas con un freno de cadena Quickstop de activación por inercia. Un impulso de contragolpe lo suficientemente fuerte bastará para aplicar el freno, incluso sin tocar el protector delantero de la mano.

⚠ ADVERTENCIA

- Para reducir el riesgo de lesiones por contragolpe:
 - Nunca use una motosierra si el freno de la cadena no funciona correctamente.
 - Si tiene alguna duda, lleve la sierra a un concesionario de servicio STIHL autorizado para la inspección o la reparación.
 - No use la sierra hasta que el problema se haya corregido.
- En una situación de contragolpe, el protector delantero de la mano ayuda a proteger la mano izquierda del contacto con la cadena. Al quitar el protector delantero de la mano de la motosierra equipada con un freno de cadena Quickstop, se reducirá la protección y se soltará el freno de cadena, lo que aumenta el riesgo de lesiones por contragolpe.
 - Nunca use la sierra si el protector delantero de la mano no funciona correctamente. Si el protector delantero de la mano hace falta, quedarán inoperantes la activación manual y la activación por inercia del freno de la cadena.
 - Nunca intente quitar, modificar o desactivar el protector delantero de la mano o cualquier otro componente del freno de la cadena.



- Ni el freno de la cadena Quickstop ni ningún otro dispositivo de freno de la cadena impide el contragolpe. Estos dispositivos están diseñados para reducir el riesgo de lesiones por contragolpe, si se activan, en ciertas

situaciones de contragolpe. Para reducir el riesgo de lesiones personales graves o la muerte a causa de un contragolpe:

- Siempre siga las instrucciones de este manual y la técnica de buen trabajo. Por ejemplo, posicione los brazos lejos del accesorio de corte cuando el motor esté en marcha. Párese a la izquierda del corte durante el tronzado, fuera del plano de corte; consulte el capítulo “Sujeción y control de la motosierra”, 5.6.3.
- Mantenga la máxima distancia posible, nunca menos de 45 grados, entre la espada y su cuerpo para asegurarse de que el freno Quickstop tenga tiempo suficiente para activar y detener la cadena antes de entrar en contacto con cualquier parte de su cuerpo.
- Siga las otras advertencias que se proporcionan en el capítulo 7.
- Un freno de la cadena mal cuidado puede aumentar el tiempo necesario para detener la cadena después de la activación, o simplemente puede no activarse. Para que el freno Quickstop de la cadena reduzca el riesgo de lesiones por contragolpe, debe estar bien mantenido y en buenas condiciones de funcionamiento.
 - Lea y siga las instrucciones acerca de cómo accionar y soltar el freno de la cadena, 12, y las instrucciones de mantenimiento y reparación, 12.3.

2. Cadena de aserrado de bajo contragolpe y espadas de contragolpe reducido

STIHL ofrece una variedad de espadas y cadenas de aserrado. Las espadas de contragolpe reducido y las cadenas de bajo contragolpe de STIHL están diseñadas para reducir el riesgo de lesiones causadas por contragolpe. Otras cadenas están diseñadas para lograr un alto

rendimiento de corte y facilitar el afilado, pero son más propensas a contragolpes y pueden generar contragolpes con más energía, lo que dificulta el control de la motosierra.

STIHL desarrolló un sistema de codificación por color para ayudar a identificar las espadas de contragolpe reducido y las cadenas de bajo contragolpe.

- Los accesorios de corte con etiquetas verdes en el empaquetado están diseñados para reducir el riesgo de lesiones por contragolpe.
- Al combinar motosierras dotadas de etiquetas verdes con espadas y cadenas con etiquetas verdes, se cumple con el requerimiento de ángulo de contragolpe calculado que se estipula en las normas que rigen a las motosierras, cuando los productos se encuentran en su condición original.
- Los productos con etiquetas amarillas son para los usuarios que tienen necesidades de corte extraordinarias, y que poseen experiencia y capacitación especializada para hacer frente a los contragolpes.

STIHL recomienda el uso de sus espadas de contragolpe reducido identificadas con la etiqueta verde, cadenas de bajo contragolpe con etiqueta verde y un freno rápido de cadena Quickstop STIHL, tanto para los usuarios con experiencia como para aquéllos que carezcan de ella.

STIHL recomienda espadas y cadenas con etiqueta verde para todas las motosierras. Para ver detalles, lea el folleto "Información sobre espadas y cadenas de STIHL".

Es posible que, después de la publicación de esta información, se desarrollen nuevas combinaciones de espadas y cadenas que también cumplan con las normas al ser utilizadas con ciertas motosierras.

▲ ADVERTENCIA

- El uso de las combinaciones de espadas y cadenas no mencionadas en el folleto "Información sobre espadas y cadenas de STIHL" (u otras combinaciones que no cumplen con las normas de motosierras) puede aumentar

las fuerzas de contragolpe y la predisposición a contragolpes, y aumentar el riesgo de lesiones consiguientes.

- Solicite a su concesionario STIHL autorizado que le proporcione la combinación apropiada de espada y cadena para su motosierra, con el fin de reducir el riesgo de lesiones por contragolpe.
- Las espadas de contragolpe reducido y las cadenas de bajo contragolpe no impiden el contragolpe, sino están diseñadas para reducir el riesgo de lesiones por contragolpe.
 - STIHL recomienda espadas y cadenas con etiqueta verde para todas las motosierras y todos los usuarios.
- Aunque su sierra esté equipada con un freno de cadena QuickStop, una espada de contragolpe reducido y/o una cadena de bajo contragolpe, eso no elimina el riesgo de lesionarse por contragolpe.
 - Respete todas las advertencias de seguridad que se mencionan en este manual para evitar situaciones de contragolpe.

a. Cadena de aserrado de bajo contragolpe


Algunos tipos de cadenas tienen componentes especialmente diseñados para reducir la predisposición a contragolpe y la fuerza del contragolpe, si ocurre. STIHL ha desarrollado una cadena de bajo contragolpe para su motosierra.

Una "cadena de aserrado de bajo contragolpe" es aquella que satisface los requisitos de rendimiento de la norma ANSI/OPEI B175.1 al ser sometida a prueba según las disposiciones de esa norma.

▲ ADVERTENCIA

- Algunas cadenas de bajo contragolpe no han sido probadas con todas las combinaciones de motosierra y espada. Existen posibles combinaciones de motosierra, espada y cadena de bajo contragolpe, que no han sido


específicamente certificadas como satisfactorias con respecto al ángulo de contragolpe de 45° calculado por computadora que estipula la norma sobre motosierras.

- STIHL recomienda espadas y cadenas con etiqueta verde para todas las motosierras y todos los usuarios.
 - Consulte el folleto “Información sobre espadas y cadenas de STIHL” para conocer las combinaciones de espadas y cadenas adecuadas para su sierra.
 - Solicite a su concesionario STIHL autorizado que le proporcione la combinación apropiada de espada y cadena para su motosierra, con el fin de reducir el riesgo de lesiones por contragolpe.
- Una cadena desafilada o mal afilada puede reducir o inutilizar los efectos de las características de diseño destinadas a reducir la energía de los contragolpes y la tendencia a los mismos. Una reducción o afilado incorrectos de los calibradores de profundidad o la alteración de la forma de las cuchillas puede aumentar el riesgo y la energía de contragolpes.
 - Siempre corte con una cadena bien afilada.
 - Lea y siga las instrucciones acerca de cómo afilar la cadena,  22.5.
 - Toda motosierra equipada con una guía en forma de arco es potencialmente una herramienta muy peligrosa. El riesgo de contragolpe aumenta con una guía en forma de arco debido al aumento del área de contacto del contragolpe y a que el diseño de las guías coloca la parte superior de la espada más cerca del cuerpo del operador. Cuando se usa una guía en forma de arco, la cadena de bajo contragolpe no reducirá significativamente el riesgo de lesiones por contragolpe.
 - Nunca instale una guía en forma de arco en ninguna de las motosierras de STIHL.

b. Espadas de contragolpe reducido

Las espadas de contragolpe reducido STIHL con etiqueta verde están diseñadas para reducir el riesgo de lesiones por contragolpe cuando se usan con las cadenas de bajo contragolpe STIHL con etiqueta verde.

⚠ ADVERTENCIA

- Cuando se usan con otras cadenas de aserrado más agresivas, estas espadas pueden ser menos eficaces para reducir el contragolpe.
 - STIHL recomienda espadas y cadenas con etiqueta verde para todas las motosierras y todos los usuarios.
- Para lograr un equilibrio adecuado y cumplir con las normas de motosierras:
 - Use solo las longitudes de espada que se mencionan en este manual,  25.

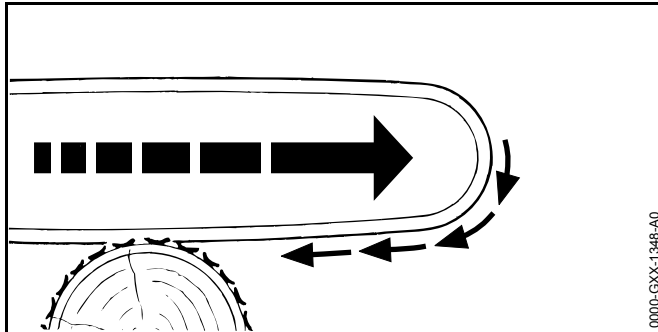
6.2.4 Para evitar el contragolpe

La mejor protección contra lesiones personales como resultado de un contragolpe es evitar las situaciones de contragolpe:

- 1) Sostenga la motosierra firmemente y con ambas manos, y mantenga un agarre seguro con la mano derecha en el mango trasero y la mano izquierda en el mango delantero. Agarre firmemente, envolviendo con los pulgares y los otros dedos los mangos de la motosierra. No la suelte.
- 2) Cerciórese de que la zona donde está cortando no tenga ningún obstáculo.
- 3) Sea consciente de la ubicación de la punta de la espada en todo momento. Nunca deje que la punta de la espada haga contacto accidentalmente con ningún objeto. No corte ramas con la punta de la espada. Preste especial atención al trabajar cerca de vallas de alambre y al cortar ramas pequeñas y duras, matorrales pequeños y arbolitos que puedan quedar enredados fácilmente en la cadena de aserrado.
- 4) No trate de llegar más lejos de lo debido.
- 5) No corte a una altura superior a la de los hombros.
- 6) Empiece a cortar y continúe trabajando a máxima aceleración.
- 7) Corte solamente un tronco a la vez.
- 8) Tenga sumo cuidado cuando vuelva a entrar a un corte previamente iniciado.

- 9) No intente cortar por penetración de la sierra si no tiene experiencia en ese tipo de corte.
- 10) Esté atento al desplazamiento del tronco o a la intervención de otras fuerzas que puedan causar el cierre del corte y el aprisionamiento de la cadena de aserrado.
- 11) Cuide bien la cadena de aserrado. Siempre corte con una cadena de aserrado bien afilada y correctamente tensada.
- 12) Sitúese a un lado de la trayectoria de corte de la motosierra.
- 13) Use únicamente las espadas y cadenas de repuesto especificadas por STIHL, o unas equivalentes.

6.3 Tirones

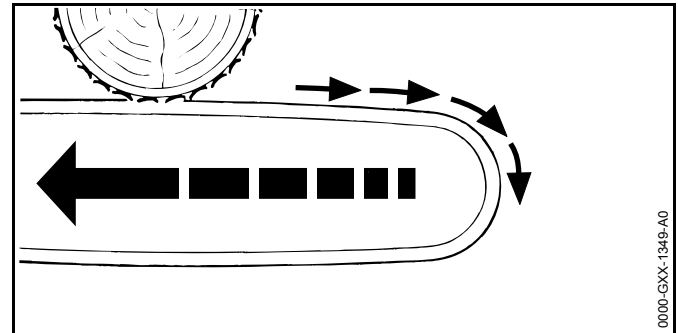


⚠ ADVERTENCIA

- El tirón se produce cuando la cadena en la parte inferior de la espada se detiene repentinamente o reduce la velocidad significativamente por estar aprisionada, quedar atrapada o entrar en contacto con algún objeto extraño en la madera. La reacción de la cadena tira de la motosierra hacia delante y puede hacer que el operador pierda el control, lo cual, a su vez, podría ocasionar lesiones graves o mortales. Si la punta entra en contacto con un objeto, puede producirse un contragolpe.

- El tirón frecuentemente ocurre cuando la púa de tope de la sierra no está firmemente sujeta contra el árbol o rama, y cuando la cadena no está girando a velocidad máxima antes de hacer contacto con la madera.
- Para reducir el riesgo de tirón:
 - Corte con una cadena afilada y con la tensión adecuada.
 - Siempre empiece el corte con la cadena girando a velocidad máxima y con la púa de tope en contacto con la madera.
 - Use cuñas para abrir la entalla o el corte, donde sea posible.
 - Tenga sumo cuidado al cortar arbolitos y matorrales pequeños que puedan enredarse fácilmente en la cadena, rebotar contra usted o hacerle perder el equilibrio.

6.4 Rechazo



⚠ ADVERTENCIA

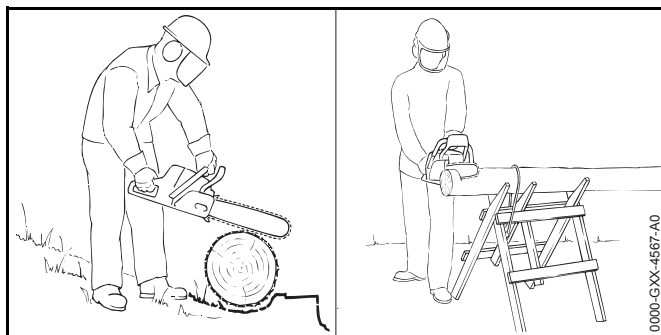
- El rechazo se produce cuando la cadena en la parte superior de la espada se detiene de repente o reduce la velocidad significativamente por estar aprisionada, quedar atrapada o entrar en contacto con algún objeto extraño en la madera. La reacción de la cadena puede hacer que la motosierra se mueva rápidamente hacia atrás en dirección al operador, y podría causar la pérdida del control, lo cual, a su vez, podría ocasionar lesiones graves o mortales.

- El rechazo frecuentemente ocurre cuando se utiliza la parte superior de la espada para hacer los cortes.
- Para reducir el riesgo de rechazo:
 - Esté atento a las fuerzas o situaciones que puedan permitir que el material se atasque o aprisione en la parte superior de la cadena.
 - No corte más de un tronco a la vez.
 - No tuerza la motosierra cuando retire la espada de un corte por debajo, porque la cadena puede quedar aprisionada o atascarse.
 - Corte con una cadena afilada y con la tensión adecuada.

7 Técnicas adecuadas para el tronzado, el desramado, la poda y la tala básicos

7.1 Tronzado

El tronzado consiste en cortar un tronco en secciones.

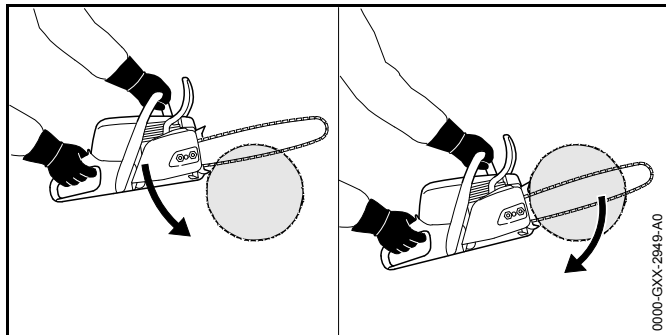


⚠ ADVERTENCIA

- Tenga cuidado con los troncos que giran. Estos pueden causar lesiones personales graves o la muerte. Para prevenir que un tronco gire durante el tronzado:
 - Controle que el tronco esté seguro y no gire cuesta abajo antes de comenzar el corte. De ser necesario, use cuñas, piñones o calzas resistentes.
 - Si se encuentra en una ladera, sitúese siempre cuesta arriba del tronco.
 - Nunca se pare sobre el tronco.
- Para reducir el riesgo de contragolpes causados por el contacto con la punta de la espada y otros troncos o ramas:
 - Corte solamente un tronco a la vez.
 - No corte los troncos en una pila.
- Al cortar madera rota, las astillas afiladas pueden atraparse y salir lanzadas hacia el operador o los espectadores.
 - Tenga cuidado al cortar madera rota y use siempre equipos protectores personales y trajes de protección adecuados, incluidas gafas.
 - Mantenga a los espectadores fuera de la zona de trabajo.
- Al cortar troncos más pequeños, asegúrese de que el tronco esté apoyado correctamente para reducir el riesgo de lesiones personales a causa de la pérdida de control de la motosierra o del movimiento del tronco. Los troncos pequeños pueden moverse al entrar en contacto con los dientes de la cadena:
 - Coloque los troncos en soportes con forma de V, en la parte superior del caballete, cuando sea posible.
 - No permita que otra persona sujete el tronco.
 - No estabilice nunca el tronco con las piernas o pies.

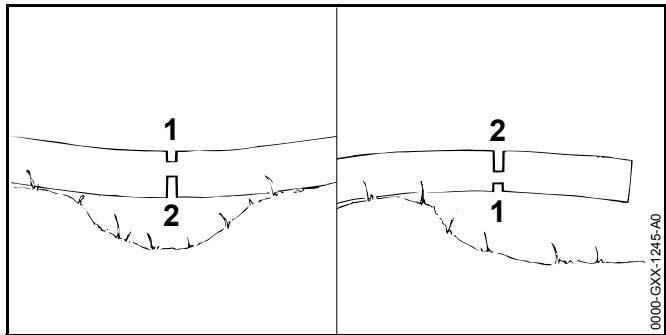
- No controlar la sierra en la parte inferior del corte de tronzado puede causar lesiones personales graves o la muerte.
 - Prepare la sierra para que salga de la parte inferior del corte al reducir la fuerza de alimentación que ejerce sobre esta.
 - Mitigue el peso de la motosierra de modo que la espada y la cadena no salgan expulsadas hacia la parte inferior de su cuerpo y sus piernas.

Durante el tronzado:



- ▶ Coloque la púa de tope de la sierra contra el tronco y úsela como punto de apoyo.
- ▶ Vuelva a colocar continuamente la púa de tope mientras empuja la espada por completo hacia el tronco.

7.2 Corte de troncos bajo tensión



⚠ ADVERTENCIA


- Hay un mayor riesgo asociado con el aprisionamiento de la motosierra durante el tronzado bajo tensión. La tensión en la madera también puede liberarse repentinamente y con gran fuerza, e impulsar el tronco, la rama o la motosierra hacia el operador y causarle lesiones o pérdida de control.
- Para reducir el riesgo de lesiones personales graves o fatales a causa de las fuerzas reactivas, incluido el contragolpe, o una pérdida de control al cortar madera bajo tensión:
 - Comience siempre con un recorte (1) en el lado de compresión del tronco y realice un corte de tronzado (2) en el lado de la tensión.
 - Si la espada o la cadena quedan aprisionadas, apague el motor y aplique el freno de la cadena antes de sacar la sierra del tronco, con cuidado de que la rama no se quiebre o suelte de repente.
- Trabajar en áreas en las que los troncos, ramas y raíces están enredados es extremadamente peligroso.
 - Arrastre los troncos, las ramas y otros materiales para cortar a un área libre antes de comenzar a trabajar. Retire de la zona primero los troncos aislados y despejados. No corte donde la punta de la espada pueda entrar en contacto con otros troncos, ramas u hojarasca.

7.3 Desrame

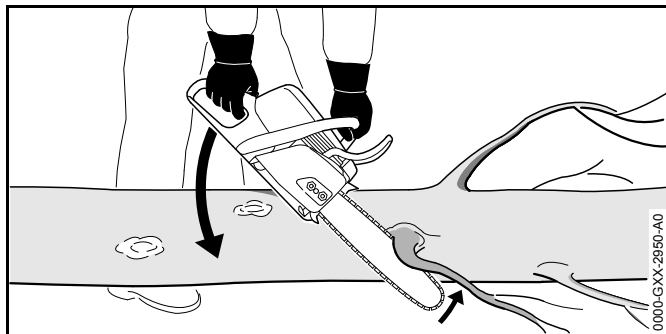
El desrame consiste en cortar las ramas de un árbol caído.

⚠ ADVERTENCIA

- Para prevenir que un tronco gire durante el desramado:
 - Comience el desramado dejando las ramas en la parte inferior y en declive del tronco para mantenerlo por encima del suelo.
 - Estabilice el tronco con piñones, cuñas o calzas resistentes, de ser necesario.
 - Nunca se pare en un tronco durante el desramado.

- Hay un mayor riesgo de contragolpe durante las operaciones de desramado, ya que las ramas, las hojas, los tallos y otros materiales se pueden enredar en las cuchillas en el cuadrante superior de la punta de la espada y hacer que la cadena reduzca la velocidad o se detenga de repente.
 - No use la punta de la espada para cortar ramas.
 - Sea precavido y evite tocar el tronco, el suelo, las ramas u hojarasca con la punta de la espada.
- Cuando corte de abajo hacia arriba las ramas que están en el aire, la sierra puede quedar aprisionada o la rama puede caerse, golpear al operador o a la motosierra y causar la pérdida del control.
 - Si la espada o la cadena quedan aprisionadas, apague el motor y aplique el freno de la cadena antes de sacar la sierra del corte, con cuidado de que la rama no se quiebre o suelte de repente.
- Las ramas o los troncos bajo tensión (pértigas de salto) pueden rebotar hacia usted con gran fuerza y golpearlo o hacerlo perder el control de la sierra, lo que podría causar lesiones graves o fatales.
 - Sea precavido cuando corte ramas o troncos que están bajo tensión.
 - Lea y siga las advertencias e instrucciones acerca de cómo cortar troncos bajo tensión,  7.2.

Durante el desramado:



- ▶ Apoye la motosierra sobre el tronco.

- ▶ Párese en el lado del tronco opuesto a la rama que se debe cortar si es seguro.
- ▶ Empuje la espada a toda velocidad con un movimiento en eje hacia la rama.
- ▶ Corte la rama con el lado superior o inferior de la espada, apartando la punta de la espada del tronco, el suelo, las ramas u hojarasca.

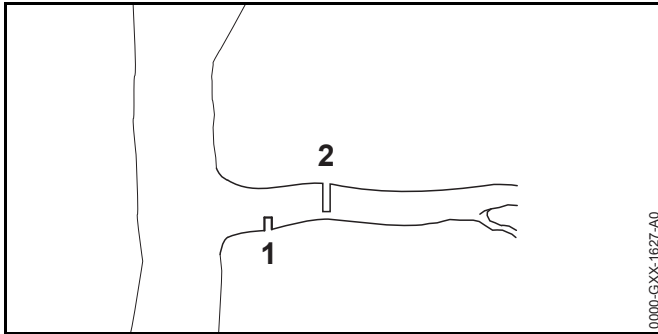
7.4 Poda

La poda consiste en quitar de manera selectiva las ramas de un árbol en pie.

⚠ ADVERTENCIA

- Para reducir el riesgo de lesionarse por la pérdida del control:
 - No use la motosierra con una sola mano.
 - No trabaje sobre una escalera, sobre un techo, en un árbol o cualquier otro punto de apoyo que no sea seguro.
 - Nunca use la motosierra a una altura más arriba de los hombros o por encima suyo.
 - No trate de llegar más lejos de lo debido.
 - Si no le es posible seguir estas instrucciones, deberá utilizar una herramienta diferente, tal como un podador de varilla, o solicitar a una empresa arbolista calificada que lleve a cabo el trabajo.
- Para reducir el riesgo de lesiones:
 - Nunca se pare directamente debajo de la rama que está cortando.
 - Esté atento a la caída de las ramas. Tan pronto como la rama empieza a caer, apártese y guarde una distancia adecuada. Una rama puede rebotar hacia usted después de haber caído al suelo.
 - Antes de comenzar a trabajar, quite las ramas y los arbustos del área para reducir el riesgo de tropezarse y perder el control de la motosierra.

Para cortar las ramas de un árbol en pie:



- ▶ Realice el primer corte (1) en la parte inferior de la rama, aproximadamente a 2 pulg (5 cm) del tronco. Corte aproximadamente 1/4 del diámetro de la rama. Esto evitará que la rama se astille después del corte.
- ▶ Realice el segundo corte (2) en la parte superior de la rama, aproximadamente a 2 pulg (5 cm) del primer corte.
- ▶ No bien la rama comienza a caer, retire la motosierra y deje que la rama caiga al suelo.

7.5 Tala

7.5.1 Condiciones de tala

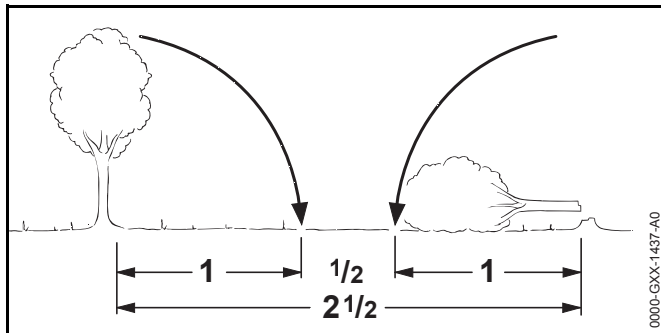
La tala consiste en cortar un árbol hasta que caiga. Antes de talar un árbol, estudie cuidadosamente todas las condiciones que pueden afectar la dirección de la caída.

⚠ ADVERTENCIA

- Antes de iniciar la tala, asegúrese de que la sierra que utiliza tenga el tamaño, la potencia y combustible suficientes para completar la operación de manera eficiente.
- Existen varios factores que pueden afectar y cambiar el sentido previsto de caída, por ej., el sentido y la velocidad del viento, la inclinación natural del árbol, los árboles y obstáculos adyacentes, el terreno en declive, la estructura de ramas de un solo lado, la estructura del follaje, la estructura de la madera, la pudrición, el peso de la nieve, etc.
 - Para reducir el riesgo de sufrir lesiones graves o mortales, tanto para usted como para los demás, analice y planifique estas condiciones antes de comenzar el trabajo y manténgase alerta a cualquier cambio en el sentido durante la caída del árbol.
- Para talar un árbol cuyo diámetro es mayor que el doble del largo de corte de la espada, es necesario emplear el método de corte de tala por secciones o de corte por penetración. Estos métodos pueden ser extremadamente peligrosos porque implican el uso de la punta de la espada y pueden causar contragolpe. Estas técnicas deben ser empleadas únicamente por profesionales competentes. Si no tiene experiencia en el manejo de una motosierra, no intente hacer el corte por penetración. Pida la ayuda de un profesional calificado.
- Antes de iniciar la tala, asegúrese de que la sierra que utiliza tenga el tamaño, la potencia y combustible suficientes para completar la operación de tala. Nunca intente cortar un árbol de diámetro grande con una motosierra que no tenga el tamaño, la potencia o el tiempo de operación suficientes para completar la tarea de manera eficiente.
- Los árboles que se parten o pudren por dentro, o que se están inclinando o están bajo tensión, son más propensos a derrumbarse o partirse mientras se cortan, lo que puede causar lesiones graves o fatales al operador o los espectadores.
 - Siempre observe la condición general del árbol y tenga precaución.
 - Los usuarios sin experiencia nunca deben intentar cortar estos árboles.
 - Siempre tenga en cuenta las ramas quebradas o muertas que puedan soltarse con la vibración y caer encima del operador durante la tala. Algunos tipos de árboles son más susceptibles a esta condición, como los abetos Douglas. Debe consultar a un servicio de árboles reconocido si tiene preguntas acerca de la estabilidad de los árboles que cortará.

- Cuando esté talando en una ladera, siempre que sea posible sitúese en el lado cuesta arriba.

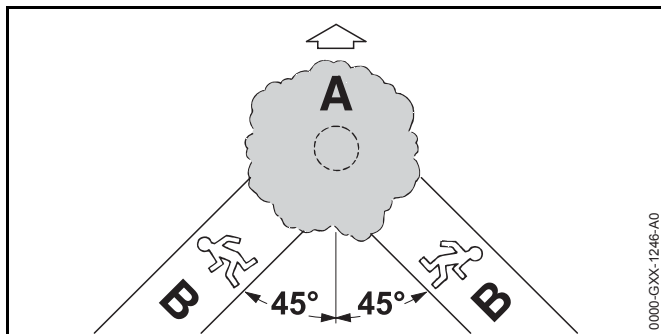
Durante la tala:



- ▶ Mantenga una distancia de, por lo menos, 2 1/2 veces la longitud del árbol con respecto a la persona más cercana.
- ▶ Tome más precauciones cerca de carreteras, líneas ferroviarias o líneas eléctricas. Antes de comenzar los trabajos de corte, avise a la policía, empresas de servicios públicos o autoridades del ferrocarril.

7.5.2 Ruta de escape

Antes de realizar el primer corte, prepare una ruta de escape:

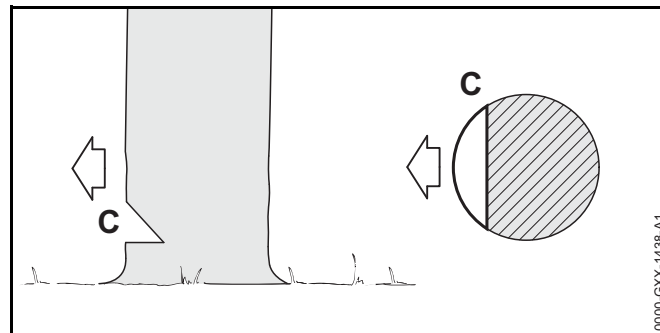


- ▶ Primero quite las ramas y la maleza del área alrededor de la base del árbol. Quite la vegetación de la parte inferior del árbol con un hacha.

- ▶ Luego, establezca al menos dos rutas de escape libres (B) y quite los obstáculos, como maleza, árboles pequeños y otra vegetación. Estas rutas deben permitir alejarse de la dirección planificada para la caída del árbol (A) a un ángulo de 45° de la línea de caída esperada. Coloque todas las herramientas y equipo a una distancia segura lejos del árbol, pero no en las rutas de escape.

7.5.3 Entalla convencional

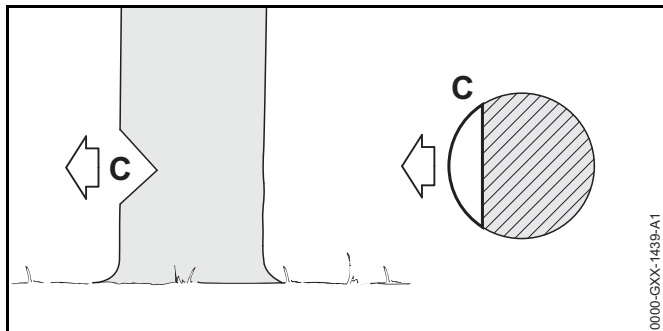
Para una entalla convencional:



- ▶ La entalla de tala determina la dirección de la caída del árbol. Coloque la entalla de tala perpendicular a la línea de caída, cerca del suelo.
- ▶ Esté atento a las condiciones, como el viento, la estructura de la rama y el follaje, la inclinación del árbol, la ladera del terreno y otros factores que pudieran alterar la dirección de la caída.
- ▶ Corte en un ángulo de aproximadamente 45° hasta una profundidad de aproximadamente 1/5 a 1/4 del diámetro del tronco.
- ▶ Realice un corte horizontal hasta la parte inferior del primer corte.
- ▶ Quite el pedazo de 45° resultante. El tamaño de la cuña variará según el tamaño del árbol. Cuanto más grande es el árbol, más grande es la cuña.

7.5.4 Entalla de cara libre

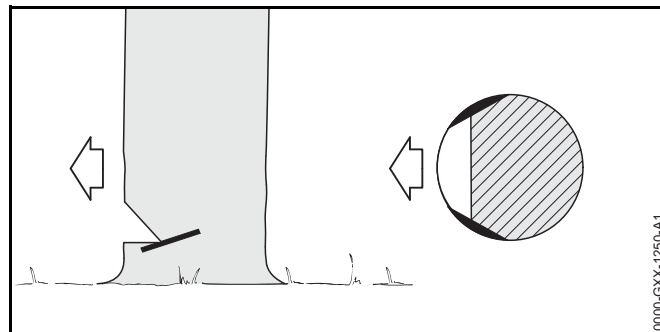
Para una entalla de cara libre:



- ▶ La entalla de tala determina la dirección de la caída del árbol. Coloque la entalla de tala perpendicular a la línea de caída, cerca del suelo.
- ▶ Esté atento a las condiciones, como el viento, la estructura de la rama y el follaje, la inclinación del árbol, la ladera del terreno y otros factores que pudieran alterar la dirección de la caída.
- ▶ Corte en un ángulo de aproximadamente 50° hasta una profundidad de aproximadamente 1/5 a 1/4 del diámetro del tronco.
- ▶ Realice un segundo corte hasta la parte inferior del primer corte por debajo a un ángulo de 40°.
- ▶ Quite el pedazo de 90° resultante. El tamaño de la cuña variará según el tamaño del árbol. Cuanto más grande es el árbol, más grande es la cuña.

7.5.5 Cortes de albura

Los cortes de albura ayudan a prevenir que las maderas blandas en verano se astillen cuando caen:



- ▶ Realice cortes a ambos lados del tronco, a la misma altura que el corte de tala subsiguiente.
- ▶ No realice cortes más profundos que el ancho de la espada.

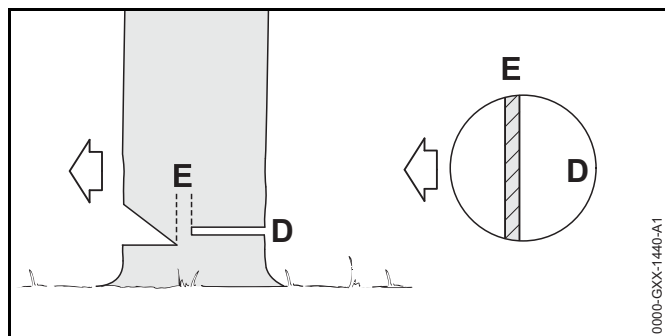
7.5.6 Corte trasero de tala

▲ ADVERTENCIA

- Si la punta de la espada entra en contacto con la cuña que se usó para mantener la entalla o el corte abiertos, puede haber un contragolpe. Las cuñas deben ser de madera o de plástico, pero jamás de acero porque se dañaría la cadena.
- Sin importar el método de tala que escoja, nunca corte a través del eje cuando efectúe el corte de tala trasero. El eje ayuda a controlar la caída del árbol. Si se corta el eje, se elimina la capacidad de controlar la caída del árbol, y se podrían ocasionar lesiones personales graves o mortales, o daños a la propiedad.
- Para reducir el riesgo de lastimarse, no se sitúe nunca directamente detrás del árbol cuando está listo para caer, ya que parte del tronco puede rajarse y caer en dirección del operador, o el árbol puede saltar hacia atrás desprendiéndose del tocón.

- Siempre sitúese a un lado del árbol que va a caer. Cuando el árbol empiece a caer, retire la espada, libere el gatillo, accione el freno de cadena y aléjese rápidamente por la ruta de escape prevista.
- Tenga cuidado con las ramas que caen del árbol talado.
- Preste especial atención a los árboles parcialmente caídos. Cuando el árbol por alguna razón no se cae completamente, deje a un lado la sierra y tire el árbol al suelo con un cabrestante de cable, un polipasto y aparejo o un tractor. Intentar cortarlo con la sierra es extremadamente peligroso y puede causar lesiones graves o fatales. Los árboles de esta naturaleza pueden caer de forma repentina y, con frecuencia, están bajo tensión.

El árbol se derriba con el corte trasero de tala (D).



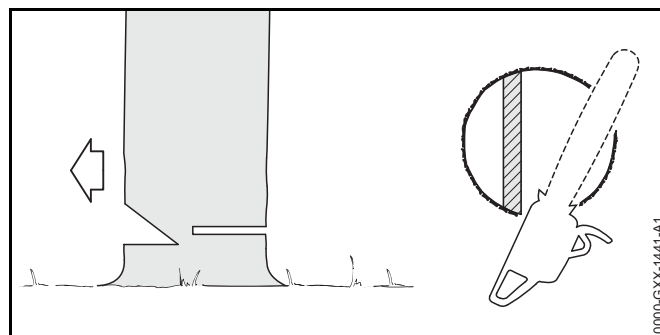
Para las entallas convencionales y de cara libre:

- ▶ Comience de 1 a 2 pulg (2,5 a 5 cm) más arriba que la parte inferior de la entalla de tala.
- ▶ Corte horizontalmente hacia la entalla de tala.
- ▶ Deje aproximadamente 1/10 del diámetro del árbol sin corte. Este es el eje (E) que ayudará a controlar la caída del árbol.
- ▶ No corte a través del eje ya que podría perder el control del sentido de la caída.

- ▶ De ser necesario, las cuñas pueden impulsarse hacia el corte trasero de tala para mantener el corte abierto y ayudar a controlar la dirección de la caída. Por ejemplo, si un árbol tiende a resistirse y la sierra se atasca, se pueden usar las cuñas para reposicionarla.

7.5.7 Corte en abanico

Use el corte en abanico simple para realizar el corte trasero de tala en los árboles con un diámetro menor que la longitud de corte eficaz de la espada.



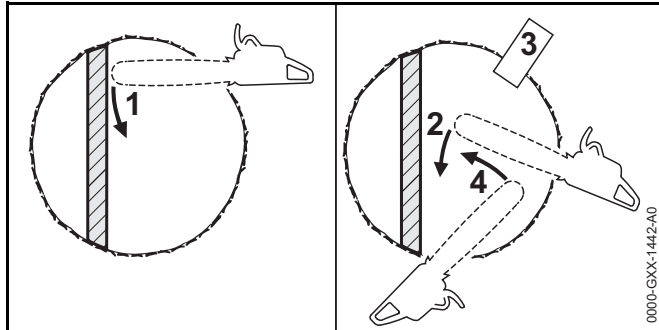
- ▶ Después de crear la entalla de tala, enganche las púas de tope de la motosierra directamente detrás de la ubicación del eje previsto y 1 a 2 pulg (2,5 a 5 cm) más arriba que la parte inferior de la entalla de tala. Haga girar la sierra alrededor de ese punto solamente hasta la parte posterior del eje. No corte a través del eje. La púa de tope debe llegar al tronco hasta que se complete el corte trasero.

7.5.8 Método de corte por secciones

⚠ ADVERTENCIA

Este método es extremadamente peligroso porque implica el uso de la punta de la espada y pueden causar contragolpe. Si no tiene experiencia en el manejo de una motosierra, no intente hacer el corte por penetración. Pida la ayuda de un profesional.

Use el corte en abanico simple para realizar el corte trasero de tala en los árboles con un diámetro mayor que la longitud de corte eficaz de la espada.



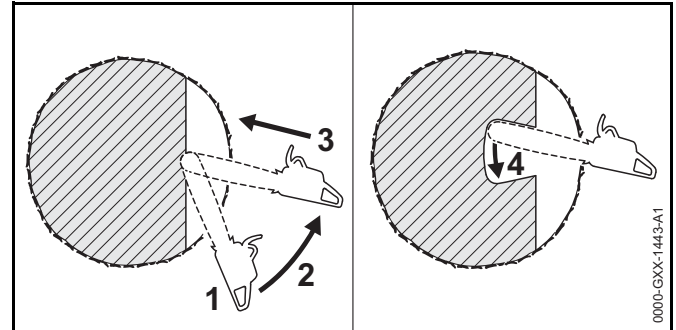
- ▶ Después de crear la entalla de tala, haga la primera parte del corte trasero de tala con la espada en abanico hacia el eje y de 2,5 a 5 cm (1 a 2 pulg) más arriba que la parte inferior de la entalla de tala. Haga girar la sierra alrededor de ese punto solamente hasta la parte posterior del eje. No corte a través del eje.
- ▶ Cuando cambie de posición para el próximo corte, mantenga la espada totalmente dentro de la entalla para mantener un corte de tala recto. Si la sierra empieza a quedar aprisionada, inserte una cuña para abrir el corte. En el último corte, no corte el eje de inclinación del árbol.
- ▶ Evite reposicionar la sierra más de lo necesario.

7.5.9 Corte por penetración

⚠ ADVERTENCIA

Este método es extremadamente peligroso porque implica el uso de la punta de la espada y pueden causar contragolpe. Si no tiene experiencia en el manejo de una motosierra, no intente hacer el corte por penetración. Pida la ayuda de un profesional.

Use el corte por penetración para realizar el corte trasero de tala en los árboles cuyo diámetro es más de dos veces la longitud de corte eficaz de la espada.



- ▶ Después de crear una entalla de tala grande, comience el corte aplicando la parte inferior de la punta de la espada contra el árbol en un ángulo. Corte hasta que la profundidad de la entalla sea casi igual que el ancho de la espada. En seguida, alinee la sierra en el sentido en que se va a cortar el rebajo.
- ▶ Con la sierra acelerada a fondo, inserte la espada en el tronco.
- ▶ Agrande el corte por penetración como se muestra en la ilustración previa.
- ▶ Siga el método de corte por secciones descrito anteriormente para hacer el corte trasero de tala.

8 Mantenimiento, reparación y almacenamiento

8.1 Advertencias e instrucciones








▲ ADVERTENCIA

- La motosierra no contiene piezas que el usuario esté autorizado a reparar. Para reducir el riesgo de incendios u otras lesiones personales y daños a la propiedad:
 - Los usuarios deben efectuar únicamente los trabajos de mantenimiento y limpieza descritos en este manual.
 - Siga precisamente las instrucciones de limpieza y mantenimiento dadas en las secciones correspondientes de este manual de instrucciones.
 - STIHL recomienda que un concesionario de servicio STIHL autorizado efectúe todos los trabajos de reparación.
- Para reducir el riesgo de lesiones personales y daños a la propiedad a causa de un arranque accidental:
 - Apague el motor y aplique el freno de la cadena por medio de mover el protector delantero de la mano antes de inspeccionar la cadena o de efectuar trabajos de limpieza, mantenimiento o reparación. Siempre apague el motor antes de guardar la motosierra y siempre que no se encuentre en uso.
- El mantenimiento adecuado ayudará a conservar el rendimiento de corte y reducir el riesgo de lesiones personales causadas por el descarrilamiento de la cadena y las fuerzas reactivas.
 - Siempre use guantes al manipular la cadena de aserrado.
 - Mantenga limpios la cadena, espada y el piñón.
 - Reemplace la cadena y la espada cuando se desgasten o dañen.
 - Mantenga la cadena afilada y correctamente tensada.
 - Apriete todas las tuercas, pernos y tornillos después de haber usado la máquina.
- Tal como ocurre con los frenos de un automóvil, el freno de la cadena produce desgaste cada vez que se lo utiliza. Para que el freno de cadena de la motosierra STIHL funcione correctamente, es necesario que reciba mantenimiento adecuado. Devuelva la motosierra al concesionario de servicio STIHL autorizado para la inspección y el servicio periódicos del sistema de freno de acuerdo con los intervalos indicados a continuación:
 - Uso intenso: cada 3 meses
 - Uso moderado: cada 6 meses
 - Uso ocasional: cada 12 meses
- Lleve la motosierra inmediatamente al taller cada vez que el sistema de freno no pueda limpiarse a fondo o se produzca un cambio en sus características de funcionamiento.
- El uso de componentes no autorizados o no aprobados por STIHL puede causar lesiones graves o mortales y daños a la propiedad.
 - STIHL recomienda que solo se usen piezas de repuesto STIHL idénticas para la reparación o el mantenimiento.
- El almacenamiento incorrecto puede provocar un uso no autorizado, daños a la motosierra y un aumento del riesgo de incendio y otros tipos de lesiones personales o daños a la propiedad.
 - Apague el motor y aplique el freno de la cadena por medio de mover el protector delantero de la mano hacia delante antes de almacenar la máquina.
 - Guarde la motosierra bajo techo, en un lugar seco y bajo llave al que los niños y otras personas no autorizadas no puedan acceder.

9 Antes de empezar a trabajar

9.1 Preparación de la motosierra para el funcionamiento:

Antes de empezar a trabajar:

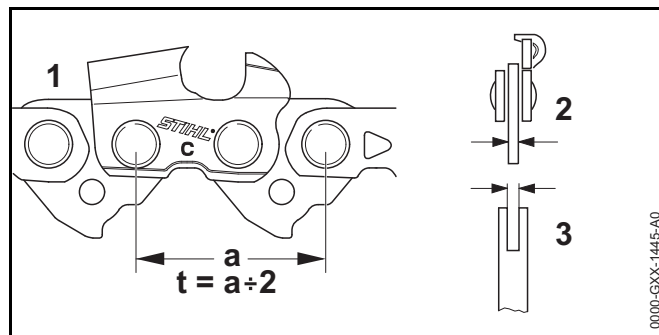
- ▶ Monte la espada y la cadena de aserrado,  10.2.1.
- ▶ Tense la cadena,  10.3.
- ▶ Llene el depósito de aceite de la cadena,  11.2.
- ▶ Cargue combustible en la motosierra,  13.2.
- ▶ Revise el freno de la cadena,  16.1.
- ▶ Compruebe el buen funcionamiento y condición de los controles,  16.2.
- ▶ Revise el flujo de aceite de la cadena,  16.3.

10 Armado de la motosierra

10.1 Accesorio de corte

ADVERTENCIA

Si no se utilizan los componentes correspondientes, el accesorio de corte se dañará de manera permanente después de un período breve de uso, y la cadena podría descarrilarse y causar lesiones personales graves o fatales. Un accesorio de corte consta de la cadena, la espada y el piñón.





- El paso (t) de la cadena (1), el piñón, y si se usa una espada Rollomatic, el piñón de la punta deberán corresponderse entre sí.
- El grueso del eslabón impulsor (2) de la cadena de aserrado debe corresponder con el ancho de la ranura de la espada (3).


10.2 Montaje y retiro de la espada y la cadena de aserrado

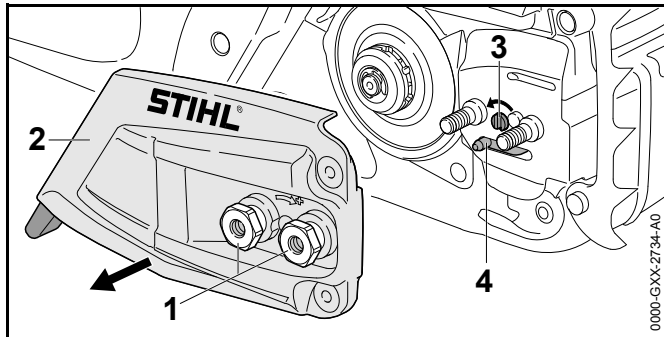
10.2.1 Montaje de la espada y la cadena

ADVERTENCIA

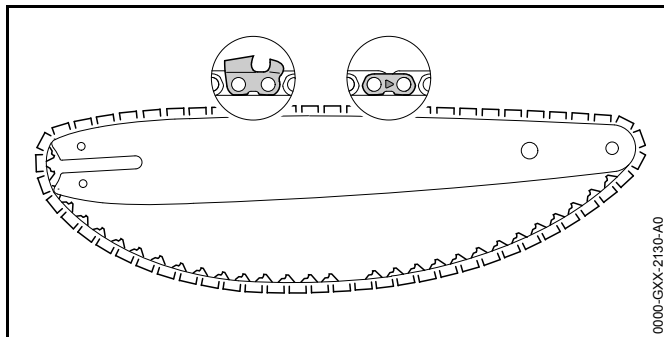
La cadena tiene muchas picas afiladas. Si entran en contacto con alguna parte de su cuerpo, le causarán una herida, aunque la cadena esté detenida,  5.4. Use siempre guantes resistentes al montar o manipular la cadena,  5.3.

Para montar la espada y la cadena:

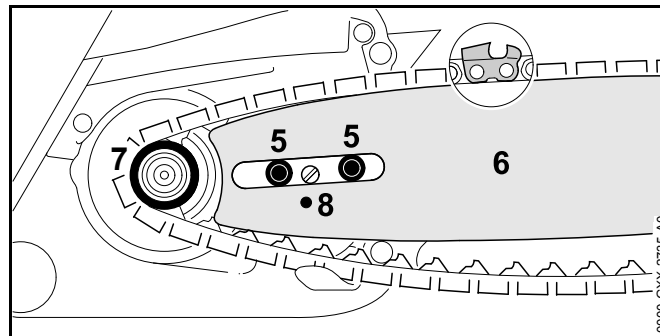
- ▶ Apague el motor,  15.1.




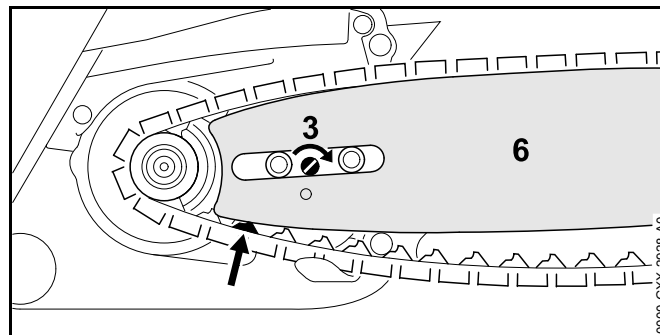
- ▶ Desenrosque las tuercas (1).
- ▶ Retire la cubierta (2) del piñón de la cadena.
- ▶ Gire el tensor lateral (3) de la cadena en sentido contrahorario hasta que el engranaje tensor (4) quede al ras con la carcasa.



- ▶ Coloque la cadena de aserrado en la ranura de la espada, comenzando con la punta.
- ▶ Asegúrese de que las cuchillas en la ranura del lado superior de la espada estén orientadas hacia la punta de la espada. Las cadenas STIHL están fabricadas con flechas en las correas de amarre para ayudar al operador a determinar la dirección correcta de la cadena. Las flechas en las correas de amarre en la parte superior de la espada deben estar orientadas hacia la punta de la barra.



- ▶ Oriente la punta de la espada en dirección opuesta al piñón de la cadena (7).
- ▶ Coloque la cadena alrededor del piñón de la cadena.
- ▶ Deslice la espada (6) sobre los tornillos (5) del collarín. La cabeza del tornillo del collarín debe sobresalir del orificio oblongo.
- ▶ Inserte el pasador del engranaje tensor en el orificio (8) de la espada.
- ▶ Suelte el freno de la cadena,  12.2.



- ▶ Dirija los eslabones impulsores hacia la ranura de la espada (6, flecha) mientras gira el tensor lateral (3) de la cadena en sentido contrahorario hasta que se detenga. La espada y la cadena deben montarse de manera firme y segura en la motosierra.
- ▶ Ajuste la cubierta del piñón en la motosierra de modo que quede al ras con la carcasa.

- ▶ Gire las tuercas en sentido horario hasta que la cubierta del piñón de la cadena quede firmemente colocada en la motosierra.

10.2.2 Retiro de la espada y la cadena


- ▶ Destornille las tuercas que fijan la cubierta del piñón de la cadena.
- ▶ Quite la cubierta del piñón de la cadena.
- ▶ Gire el tensor lateral de la cadena en sentido contrahorario hasta que se detenga y la cadena se suelte.
- ▶ Retire la espada y la cadena

INDICACIÓN


Las partes superior e inferior de la espada son simétricas y la espada debe montarse con la impresión hacia arriba o hacia abajo. Girar la espada cada vez que la cadena se afila o cambia ayudará a reducir el desgaste desparejo y mejorar su vida útil.

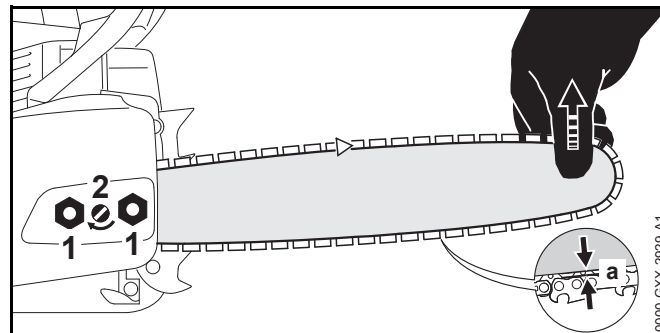
10.3 Tensado de la cadena


! ADVERTENCIA

Para reducir el riesgo de lesiones personales provocadas por un descarrilamiento de la cadena, compruebe con frecuencia la tensión de la cadena,  5.6. A las temperaturas de funcionamiento, la cadena se dilata y se comba. Las cadenas nuevas tienden a dilatarse más que las que están más usadas. Tense la cadena de modo que los eslabones impulsores no puedan salirse de la ranura en la parte inferior de la espada.

Para tensar correctamente la cadena:

- ▶ Apague el motor,  15.1.



- ▶ Afloje las tuercas (1).
- ▶ Suelte el freno de la cadena,  12.2.
- ▶ Levante la punta de la espada.
- ▶ Gire el tensor lateral de la cadena (2) en sentido horario hasta apretar la cadena.
La cadena está bien ajustada cuando la distancia entre la parte inferior de la espada y la cadena es de entre 0,04 in (1 mm) y 0,08 pulg (2 mm), y cuando la cadena se puede desplazar por la espada fácilmente tirando de ella con la mano. Siempre use guantes cuando manipule la cadena.
- ▶ Si la cadena no se puede mover a lo largo de la espada, es que se ha tensado demasiado.
 - Reduzca la tensión girando el tensor lateral de la cadena en sentido antihorario hasta que la cadena se pueda mover libremente por la espada.
 - Asegúrese de que los eslabones impulsores permanecen dentro de la ranura y de que la distancia (a) entre la parte inferior de la espada y la cadena es de entre 0,04 in (1 mm) y 0,08 pulg (2 mm).
- ▶ Una vez que la cadena esté tensada correctamente, levante la punta de la espada y apriete las tuercas para asegurar la cubierta del piñón de la cadena.
- ▶ Por último, asegúrese de que la distancia (a) entre la parte inferior de la espada y la cadena es de entre 0,04 in (1 mm) y 0,08 pulg (2 mm).

INDICACIÓN

Destense la cadena siempre cuando haya terminado el trabajo. Cuando se enfría, la cadena se contrae. Si no se afloja, puede provocar daños en el eje impulsor y en los cojinetes. Antes de volver a usar la sierra, no olvide tensar de nuevo correctamente la cadena.

11 Lubricación de la cadena de aserrado y de la espada

11.1 Lubricante de espadas y cadenas

⚠ ADVERTENCIA

Nunca haga funcionar la sierra si la espada y la cadena no están lubricadas. Si la cadena funciona sin lubricación, el accesorio de corte sufrirá daños permanentes en un lapso muy breve. Una cadena dañada puede romperse y causar lesiones personales graves o fatales. Siempre revise la lubricación de la cadena y el nivel de aceite en el tanque antes de empezar a trabajar y de manera frecuente durante el trabajo.

⚠ ADVERTENCIA

Nunca use aceite de desecho para lubricar la cadena de aserrado y la espada STIHL. El contacto repetido con aceite de desecho puede causar cáncer en la piel. Además, el aceite de desecho es dañino para el ambiente.

El aceite de la espada y la cadena lubrica y refrigera la cadena de aserrado en movimiento. La vida útil de la cadena y de la espada depende de la calidad del lubricante. Por lo tanto, es esencial usar un lubricante de cadena de formulación especial.

- ▶ Para la lubricación automática y confiable de la cadena y espada, utilice exclusivamente un lubricante de calidad, compatible con el medio ambiente, diseñado para uso con cadenas y espadas. STIHL recomienda el uso de aceite rápidamente biodegradable STIHL BioPlus.

INDICACIÓN

El aceite de cadena biodegradable debe ser resistente al envejecimiento, pues de lo contrario se convertiría rápidamente en resina. Esto produce como resultado depósitos sólidos difíciles de quitar, especialmente en las zonas del mando de la cadena y la cadena misma. Hasta puede causar el agarrotamiento de la bomba de aceite.

INDICACIÓN

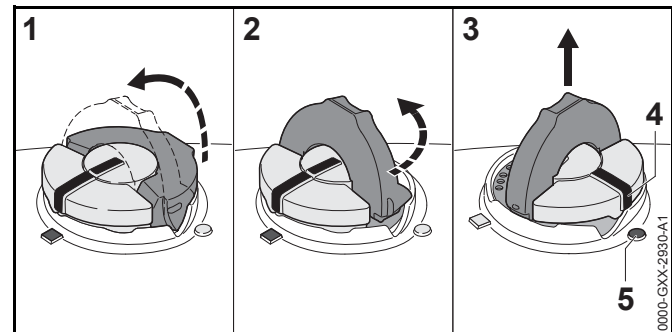
El aceite de desecho no tiene las propiedades lubricantes necesarias y no es adecuado para la lubricación de cadenas.

11.2 Llenado del depósito de aceite de la cadena

Apertura y llenado del depósito de aceite de la cadena

Para llenar el depósito de aceite de la cadena:

- ▶ Apague el motor, 15.1.
- ▶ Aplique el freno de la cadena, 12.1.
- ▶ Coloque la motosierra sobre una superficie nivelada con la tapa de llenado de aceite hacia arriba.
- ▶ Limpie el área alrededor de la tapa de llenado de aceite con un paño levemente humedecido.

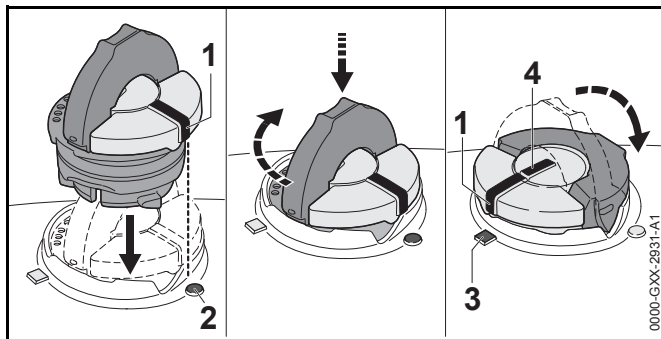


- ▶ Gire la empuñadura hacia arriba y presione la tapa hacia abajo con firmeza (1).

- ▶ Gire la tapa lentamente en sentido contrahorario (2) a la posición abierta (3). En la posición abierta, la marca de posición exterior (4) de la tapa queda alineada con el símbolo (5) en la carcasa del depósito de aceite de la cadena.
- ▶ Quite la tapa y llene el depósito con aceite para la espada y la cadena.
- ▶ Tenga cuidado de no derramar el aceite de la cadena mientras llena el depósito.
- ▶ No llene en exceso el depósito. Deje aproximadamente 0,5 pulg (13 mm) de espacio de aire.

Cierre

Para cerrar el depósito:



- ▶ Levante la empuñadura en la parte superior de la tapa hasta dejarla vertical a un ángulo de 90°. Inserte la tapa en la abertura del depósito de aceite de la cadena con la marca de posición exterior (1) alineada con el símbolo de abierto (2) del depósito.
- ▶ Utilice la empuñadura para oprimir la tapa firmemente hacia abajo mientras la gira en sentido horario a la posición cerrada (aproximadamente 1/4 de vuelta). En la posición cerrada, las marcas de posición interior (4) y exterior (1) quedan alineadas con el símbolo de cerrado (3) del depósito de aceite de la cadena.
- ▶ Doble la empuñadura dejándola a ras con la parte superior de la tapa para apretarla.

- ▶ Si la empuñadura no queda completamente a ras con la tapa y el tope de la empuñadura no encaja en la hendidura correspondiente de la abertura de llenado, o si la tapa está floja, la tapa no está debidamente asentada ni apretada y es necesario repetir los pasos previamente descritos.

11.3 Ajuste del flujo del aceite de la espada y la cadena

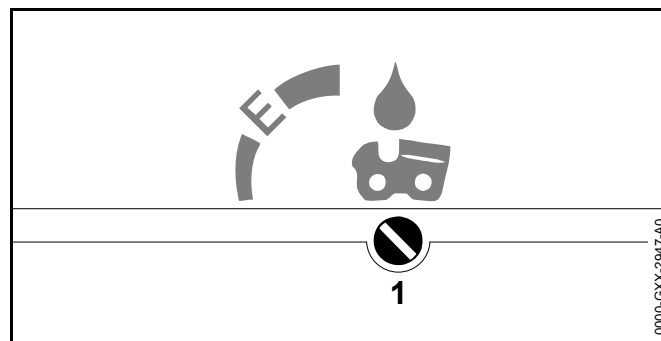
⚠ ADVERTENCIA

Nunca haga funcionar la sierra si la espada y la cadena no están lubricadas. Si la cadena funciona sin lubricación, el accesorio de corte sufrirá daños permanentes en un lapso muy breve. Una cadena dañada puede romperse y causar lesiones personales graves o fatales. Siempre revise la lubricación de la cadena y el nivel de aceite en el depósito antes de empezar a trabajar y de manera frecuente durante el trabajo.

La motosierra cuenta con una bomba de aceite ajustable. El flujo del aceite de la espada y la cadena puede ajustarse según las diferentes longitudes de las espadas, los tipos de madera y las técnicas de trabajo.

Para ajustar el flujo del aceite de la espada y la cadena:

- ▶ Apague el motor, 15.1.
- ▶ Aplique el freno de la cadena, 12.1.



El caudal del aceite de la cadena es adecuado para la mayoría de los casos, con el tornillo de ajuste (1) en la posición **E** (Ematic).

Para aumentar el caudal:

- ▶ Gire el tornillo de ajuste de flujo del aceite en sentido horario.


Para reducir el caudal:

- ▶ Gire el tornillo de ajuste de flujo del aceite en sentido contrahorario.


12 El freno de cadena

12.1 Accionamiento del freno de la cadena

⚠ ADVERTENCIA

El freno de la cadena funcionará únicamente si ha recibido el mantenimiento adecuado y el protector delantero de la mano no se ha modificado,  6.2.

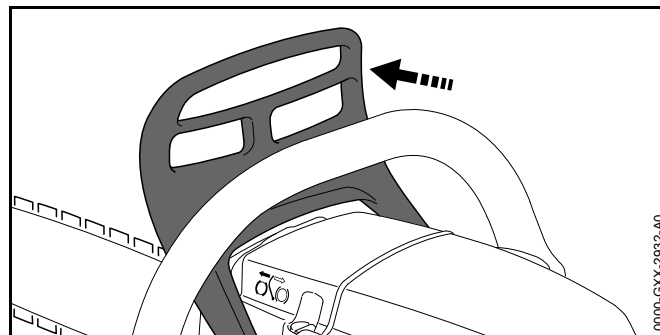
⚠ ADVERTENCIA

Ningún dispositivo de freno de la cadena impide el contragolpe. Este dispositivo está diseñado para reducir el riesgo de lesiones por contragolpe, si se activa, en ciertas situaciones de contragolpe. Para que el freno de la cadena se mantenga en buenas condiciones, es necesario darle mantenimiento adecuado,  6.2.

En caso de un contragolpe, el freno de la cadena está diseñado para accionarse cuando la mano izquierda toca el protector delantero y lo empuja hacia adelante.

El freno de la cadena también está diseñado para ser activado por la inercia del protector delantero si las fuerzas son lo suficientemente altas para ello. Cuando el freno se acciona por inercia, el protector de la mano es empujado a gran velocidad hacia la punta de la espada, aunque la mano no esté detrás del protector, por ejemplo, durante un corte de tala.

Al accionar el freno de la cadena, la cadena se bloquea. Para accionar manualmente el freno de la cadena:



- ▶ Coloque el protector delantero de la mano alejado del mango delantero.


Oirá un clic cuando el protector delantero de mano alcance la posición de bloqueo.

INDICACIÓN

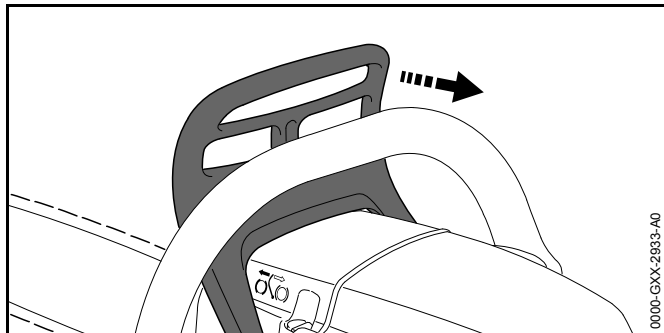
El funcionamiento a velocidad alta con el freno de la cadena aplicado dañará rápidamente el motor y el mando de la cadena (embrague, freno de la cadena). Siempre desconecte el freno de la cadena antes de acelerar el motor y antes de iniciar los trabajos.

12.2 Cómo soltar el freno de la cadena

⚠ ADVERTENCIA

Antes de soltar el freno de la cadena y de acelerar el motor, asegúrese de que la espada y la cadena estén alejadas de su cuerpo y de los demás obstáculos y objetos, incluido el suelo,  5.6.

Al soltar el freno de la cadena, la cadena se desbloquea. Para soltar el freno de la cadena:



► Tire del protector de la mano hacia el mango delantero. Oirá un clic cuando el protector delantero de mano alcance la posición de desbloqueo. En esta posición, el freno de la cadena se suelta y la sierra puede acelerarse.

12.3 Mantenimiento del freno de la cadena

! ADVERTENCIA

Si el freno de cadena no recibe un mantenimiento adecuado, la cadena de aserrado podría demorar más en detenerse después aplicarlo, podría no aplicarse o no detener la cadena, 6.2. El freno de cadena está sujeto al desgaste según la cantidad de uso, las condiciones en que se usa la sierra y otros factores. El desgaste excesivo reducirá la eficacia del freno de la cadena y lo puede dejar inoperante.

- La motosierra debe entregarse al concesionario de servicio STIHL autorizado para la inspección y el servicio periódicos del sistema de freno de acuerdo con los intervalos indicados a continuación:
 - Uso intenso: cada 3 meses
 - Uso parcial: cada 6 meses
 - Uso ocasional: cada 12 meses

13 Mezcla del combustible y carga de combustible en la motosierra

13.1 Mezcla del combustible

Información sobre el combustible

Su motor requiere una mezcla de gasolina de alta calidad y aceite para motores de dos tiempos enfriados por aire. Este motor ha sido certificado para funcionar con gasolina sin plomo de grado intermedio, con un octanaje mínimo de 89 y un contenido de etanol no superior al 10%, y aceite para motores de 2 tiempos enfriados por aire, con una proporción de mezcla de 50:1.

Si mezcla el combustible personalmente, STIHL le recomienda STIHL HP Ultra 2-Cycle Engine Oil.

INDICACIÓN

El combustible con un octanaje inferior a 89 puede aumentar la temperatura del motor. Esto, a su vez, aumenta el riesgo de que se agarrote el pistón y el motor se dañe. La composición química del combustible también es importante.


INDICACIÓN

Algunos aditivos de combustible no solamente tienen efectos perjudiciales en los elastómeros (diafragmas de carburador, sellos de aceite, tuberías de combustible, etc.), sino también en las piezas fundidas de magnesio y en los convertidores catalíticos. Esto podría causar problemas de funcionamiento o daños en el motor. Por esta razón, STIHL le recomienda que use exclusivamente gasolina sin plomo de buena calidad.

Información sobre el contenido de etanol

! ADVERTENCIA

Si la velocidad de marcha en vacío está ajustada correctamente, la cadena de aserrado no debe moverse. Para reducir el riesgo de lesiones personales debido a la pérdida de control y/o al contacto con la cadena en

movimiento, compruebe que el régimen de marcha en vacío esté debidamente regulado antes de usar la motosierra,  17.

La gasolina con un contenido de etanol superior al 10% puede causar problemas de funcionamiento y averías graves en los motores, y no debe utilizarse. Para más información, visite www.STIHLusa.com/ethanol.

El contenido de etanol en la gasolina afecta a la velocidad del motor. Podría ser necesario reajustar el carburador si se usan combustibles con contenidos de etanol diferentes.

Las velocidades de marcha en vacío y máxima del motor varían si se cambia el combustible por otro con un contenido de etanol mayor o menor. Este problema se puede evitar usando siempre un combustible sin etanol o combustibles con un mismo nivel de etanol.

STIHL MotoMix

STIHL MotoMix no contiene etanol, tiene un octanaje elevado y garantiza que siempre se utilizará la proporción correcta en la mezcla de gasolina/aceite.

STIHL MotoMix se mezcla con aceite para motores de dos tiempos STIHL HP Ultra, apto para motores de alto rendimiento. Para más información, visite www.STIHLusa.com/ethanol.

STIHL recomienda utilizar MotoMix en la motosierra. Si no utiliza MotoMix, use solamente el aceite para motores de 2 tiempos STIHL High Performance o aceites para motores de 2 tiempos de alta calidad equivalentes diseñados para el uso en motores de 2 tiempos enfriados por aire.

El uso de una mezcla de gasolina inadecuada para la temporada puede aumentar la probabilidad de que se acumule presión en el tanque de combustible durante el funcionamiento. Si, por ejemplo, usa en verano una mezcla para invierno, la presión en el tanque aumentará. Siempre utilice mezclas de gasolina adecuadas para la temporada, la altitud y otras condiciones ambientales.

No use aceites para mezclar con designaciones BIA o TCW (para motores de 2 tiempos enfriados por agua) ni otros aceites para mezclar diseñados para usar en motores

enfriados por agua o por aire (por ejemplo, en motores marinos fuera de borda, motonieves, sierras de cadenas, bicimotos, etc.).

Mezcla del combustible

ADVERTENCIA

Tenga cuidado cuando manipule gasolina. Evite el contacto directo con la piel, así como inhalar los vapores de combustible. Cuando llene un envase con la bomba de combustible, saque primero el envase de su vehículo y colóquelo en el suelo antes de llenarlo. Para reducir el riesgo de que se formen chispas causadas por una descarga de electricidad estática y de que se produzca un incendio y/o una explosión, no llene de combustible envases que estén dentro de un vehículo o remolque.

ADVERTENCIA

Cuando se agita el combustible, se puede acumular presión en el envase. Para reducir el riesgo de incendios, lesiones personales graves y daños materiales provocados por el rociado del combustible, deje el envase en reposo durante varios minutos antes de abrirlo. Abra el envase lentamente, para aliviar la presión residual, si la hubiera. Nunca abra el envase de combustible cerca de fuentes de encendido. Lea y respete todas las advertencias e instrucciones que se adjuntan con el envase de combustible.

Para lograr la mezcla correcta de combustible:

- ▶ Si no usa STIHL MotoMix, mezcle solo la cantidad de combustible que necesita para trabajar unos pocos días. Nunca mezcle más de la cantidad precisa para trabajar durante 30 días.
- ▶ Guarde la mezcla de combustible en un recipiente homologado para combustible.
- ▶ Dependiendo de la cantidad de combustible que necesite, determine las cantidades correctas de aceite para motores de 2 tiempos y gasolina en una proporción de mezcla de 50:1. Ejemplos de mezclas de combustible:
 - 1 US gal de gasolina: 2,6 oz. de aceite para motores de 2 tiempos
 - 2,5 US gal de gasolina: 6,4 oz. de aceite para motores de 2 tiempos

- 5 US gal de gasolina: 12,8 oz. de aceite para motores de 2 tiempos
- ▶ Cuando haga la mezcla, vierta el aceite en el envase primero, y agregue después la gasolina. Cierre el envase y agítelo vigorosamente a mano para asegurarse de que se mezclan bien el aceite y la gasolina.
- ▶ Elimine los envases vacíos usados para mezclar el aceite únicamente en puntos de recolección de residuos autorizados para ello.

13.2 Carga de combustible en la motosierra



⚠ ADVERTENCIA

Si se quita la tapa del depósito de combustible cuando está a presión, se podría causar la liberación explosiva de gasolina, vapores y humos en todas las direcciones. Los escapes de gasolina, vapores o humos, que a veces se denominan rocío o “efecto géiser” de combustible, pueden causar lesiones personales graves, incluso incendios y quemaduras, y daños a la propiedad, 5.5.

⚠ ADVERTENCIA

El rocío de combustible puede suceder cuando el motor está caliente y el depósito se abre cuando está presurizado. Puede suceder en entornos cálidos, aun si el motor no ha estado en marcha. El rocío es más probable cuando el

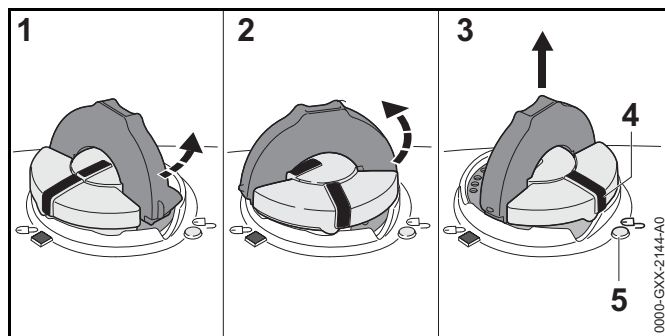
depósito está lleno a la mitad o más. Siempre atégase a las instrucciones para el llenado de combustible dadas en este manual:

- Trate todos los depósitos de combustible como estuvieran presurizados, especialmente si están llenos a la mitad o más.
- Siempre permita que la motosierra se enfríe adecuadamente antes de abrir el depósito de combustible o llenarlo. Esto tardará más en condiciones calientes.
- Nunca quite la tapa por medio de girarla directamente a la posición abierta. Primero, gírela aproximadamente 1/8 de vuelta en sentido contrahorario a la posición de ventilación para aliviar la presión residual.
- Nunca abra el depósito de combustible mientras el motor esté caliente o en marcha.
- Nunca abra el depósito ni cargue combustible cerca de chispas, llamas u otras fuentes de encendido.
- Escoja el combustible correcto; utilice únicamente combustible de buena calidad (89 octanos o más), fresco y en una mezcla adecuada para la temporada.
- Bloqueo de vapor: no quite la tapa del depósito de combustible en un esfuerzo por eliminar un bloqueo de vapor. Quitar la tapa no surte efecto alguno sobre un bloqueo de vapor.
- Sea consciente de que el rocío de combustible es más probable a alturas mayores.

Apertura y carga de combustible

Para cargar combustible en la motosierra:

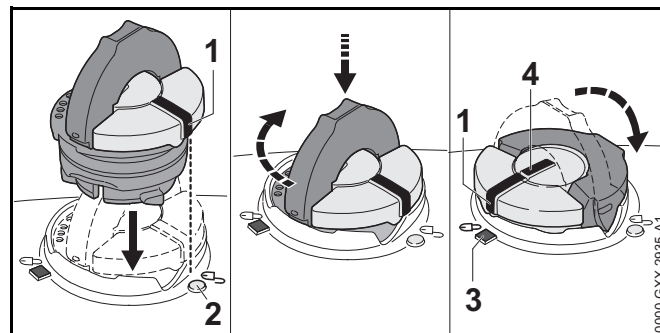
- ▶ Apague el motor, 15.
- ▶ Aplique el freno de la cadena, 12.1.
- ▶ Deje que la motosierra se enfríe. Nunca quite la tapa mientras el motor esté caliente o en marcha.
- ▶ Coloque la motosierra sobre una superficie nivelada con la tapa de llenado de combustible hacia arriba.
- ▶ Limpie el área alrededor de la tapa de llenado de combustible con un paño levemente humedecido.



- ▶ Gire la empuñadura hacia arriba y presione la tapa hacia abajo con firmeza (1).
- ▶ Mientras continúa aplicando presión hacia abajo de modo continuo, gire la tapa lentamente en sentido contrario a las agujas del reloj a la posición de ventilación (2), aproximadamente 1/8 de vuelta. Nunca quite la tapa por medio de girarla directamente a la posición abierta.
- ▶ Si se produce una ventilación significativa, de inmediato vuelva a cerrar el depósito por medio de girar la tapa en sentido horario a la posición cerrada. Permita que la sierra se enfríe adecuadamente antes de abrir el depósito.
- ▶ Gire la tapa a la posición abierta (3) solamente después de que el contenido del depósito ya no se encuentre bajo presión. En la posición abierta, la marca de posición exterior (4) de la tapa queda alineada con el símbolo de "desbloqueado" (5) en la carcasa del depósito de combustible.
- ▶ Retire la tapa de llenado de combustible y llénelo con combustible.
- ▶ Tenga cuidado de no derramar el combustible mientras rellena el depósito.
- ▶ No llene en exceso el depósito. Deje aproximadamente 0,5 pulg (13 mm) de espacio de aire.

Cierre

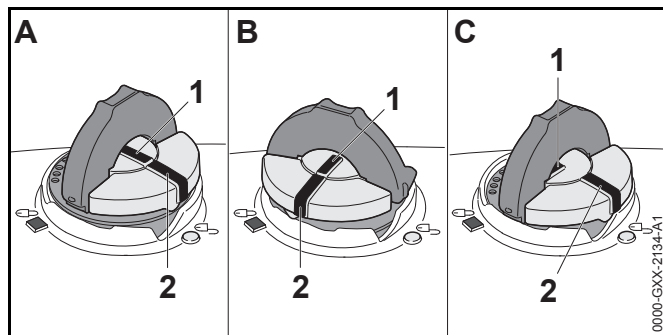
Para cerrar el depósito:



- ▶ Levante la empuñadura en la parte superior de la tapa hasta dejarla vertical a un ángulo de 90°. Inserte la tapa en la abertura del depósito de combustible con la marca de posición exterior (1) alineada con el símbolo de "desbloqueado" (2) del depósito.
- ▶ Utilice la empuñadura para oprimir la tapa firmemente hacia abajo mientras la gira en sentido horario a la posición cerrada (aproximadamente 1/4 de vuelta). En la posición cerrada, las marcas de posición interior (4) y exterior (1) quedan alineadas con el símbolo de "bloqueado" (3) del depósito de combustible.
- ▶ Doble la empuñadura dejándola a ras con la parte superior de la tapa para apretarla.
- ▶ Si la empuñadura no queda completamente a ras con la tapa y el tope de la empuñadura no encaja en la hendidura correspondiente de la abertura de llenado, o si la tapa está floja, la tapa no está debidamente asentada ni apretada y es necesario repetir los pasos previamente descritos.
- ▶ También consultar el procedimiento dado a continuación para colocar la base de la tapa en la posición inicial adecuada para instalarla.

Si no es posible enganchar la tapa de llenado en la caja del depósito

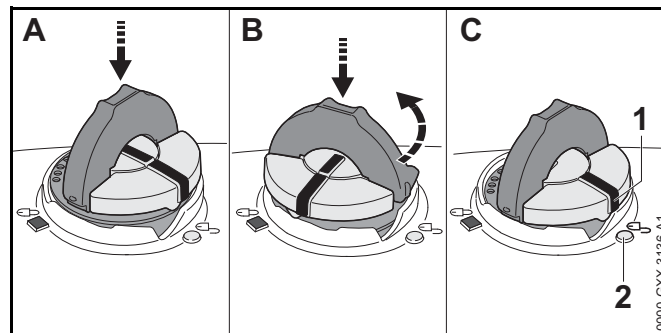
La base de la tapa de llenado está inclinada con respecto a la parte superior.



Si la tapa no encaja completamente en la abertura del depósito de combustible cuando se alinean las marcas de posición (1, 2) y/o si la tapa no se aprieta debidamente al girarla, la base de la tapa puede haber girado prematuramente con relación a la parte superior. Tal desalineación puede ser resultado de la manipulación, limpieza o un intento incorrecto de apriete.

- Ilustraciones A y B: La base de la tapa ha girado prematuramente a la posición cerrada y no se encuentra en la posición inicial adecuada para hacerla girar. El depósito no queda sellado en esta configuración. Nota: En las ilustraciones A y B, las marcas de posición interiores (1) están alineadas con las marcas exteriores (2).
- Ilustración C: La parte inferior de la tapa se encuentra en la posición correcta para instalarla. Nota: En la ilustración C, la marca de posición interior (1) se encuentra debajo de la empuñadura y no está alineada con las marcas exteriores (2).

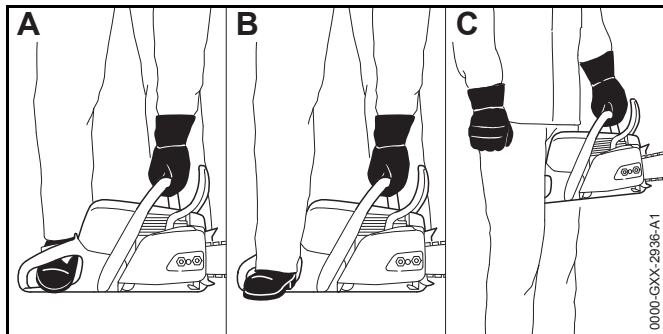
Para colocar la base de la tapa en la posición inicial adecuada para instalarla:



- ▶ Deje caer la tapa en la abertura (A) del depósito de combustible.
- ▶ Gire la tapa en sentido contrahorario, aplicándole una presión leve, hasta que se asiente completamente en la abertura del depósito de combustible (aprox. 1/4 de vuelta) (B). Esto gira la base de la tapa a la posición inicial adecuada para instalarla (C). La marca de posición exterior (1) de la tapa quedará alineada con el símbolo de "desbloqueado" en la carcasa del depósito de combustible. La marca de posición interior (3) se encuentra debajo de la empuñadura y no está alineada con las marcas exteriores (1).
- ▶ Luego gire la tapa en sentido horario, cerrándola de modo normal.
- ▶ Si no es posible apretar la tapa del depósito de combustible adecuadamente, la misma podría no ser la adecuada o está averiada. Suspenda el uso de la máquina y llévela al concesionario autorizado de STIHL para que la repare.

14 Arranque del motor

14.1 Sujeción de la motosierra



- ▶ Cuando se vaya a arrancar la motosierra, sujétela firmemente en una de tres maneras:
 - Coloque la motosierra en una superficie nivelada. Sujete la sierra firmemente en el suelo con la mano izquierda en el mango delantero. Coloque el dedo pulgar debajo del mango. Ponga la punta del pie derecho en el mango trasero y presione hacia abajo (Ilustración A).
 - Coloque la motosierra en una superficie nivelada. Sujete la sierra firmemente en el suelo con la mano izquierda en el mango delantero. Coloque el dedo pulgar debajo del mango. Ponga el talón del pie derecho en el protector trasero de la mano y presione hacia abajo (Ilustración B).
 - Sujete la sierra firmemente con la mano izquierda colocada en el mango delantero. Coloque el dedo pulgar debajo del mango. Sujete el mango trasero bien apretado entre las piernas un poco más arriba de las rodillas (Ilustración C).

14.2 Procedimiento de arranque

Procedimiento antes del arranque

Siga el Procedimiento antes del arranque si existe alguna de las condiciones siguientes:

- El motor no ha sido arrancado y está frío.
- El motor arrancó, pero se apagó al acelerarlo por primera vez.
- El motor se apagó porque se agotó el combustible del depósito.

¿Cuándo se puede arrancar el motor sin tener que efectuar el procedimiento antes del arranque?

El motor puede arrancarse sin preparación previa si ha estado en marcha por no menos de 1 minuto y fue apagado por un período breve.

- ▶ Continúe con “Arranque del motor”, 14.4.

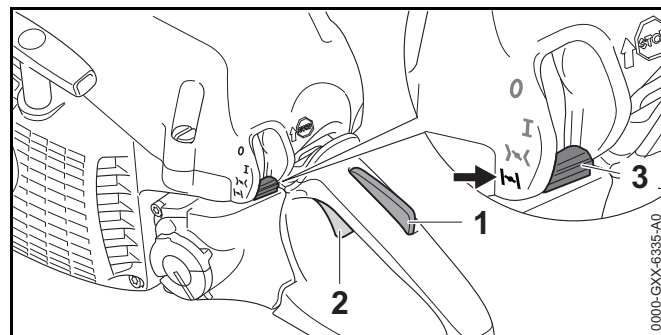
14.3 Procedimiento antes del arranque

ADVERTENCIA


Nunca use la motosierra si está dañada, mal ajustada o mal reparada, si no fue armada completa y debidamente o si no funciona de manera correcta, 5.4. Para reducir el riesgo de lesiones personales, use siempre ropa adecuada y vestimenta protectora, incluyendo gafas protectoras adecuadas cuando utilice la motosierra, 5.3.

Para efectuar el procedimiento antes del arranque:

- ▶ Aplique el freno de la cadena, 12.1.
- ▶ Presione la válvula de descompresión.





- ▶ Presione el botón de bloqueo (1) hacia abajo y oprima el gatillo de aceleración (2) al mismo tiempo.

- ▶ Mueva la palanca de control maestro (3) a la posición **I**.
- ▶ Sujete la motosierra con firmeza y tire del mango de arranque lentamente con la mano derecha hasta que sienta que se engrana.
- ▶ Tire del mango de arranque rápidamente y permita que la cuerda de arranque retorne y se enrolle varias vueltas hasta que el motor funcione y se apague.
- ▶ No tire de la cuerda de arranque por completo y no permita que el mango de arranque retorne con violencia. Guíelo lentamente hacia el interior de la caja para que la cuerda de arranque se enrolle correctamente.
- ▶ Si el motor no se para: Coloque la palanca de control maestro en la posición **I** para evitar que el motor se ahogue.
El motor se apagará.
- ▶ Arranque el motor,  14.4.

14.4 Arranque del motor


ADVERTENCIA

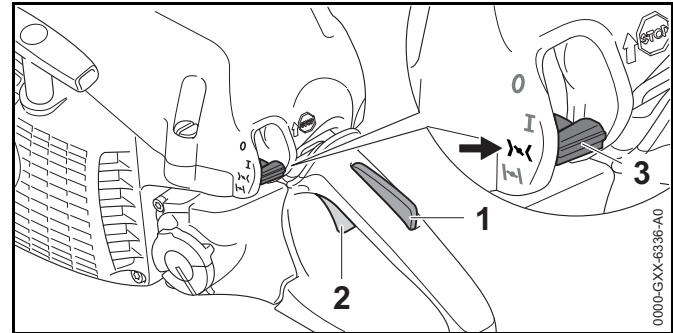
Nunca use la motosierra si está dañada, mal ajustada o mal reparada, si no fue armada completa y debidamente o si no funciona de manera correcta,  5.4. Para reducir el riesgo de lesiones personales, use siempre ropa adecuada y vestimenta protectora, incluyendo gafas protectoras adecuadas cuando utilice la motosierra,  5.3.

Antes de arrancar el motor:

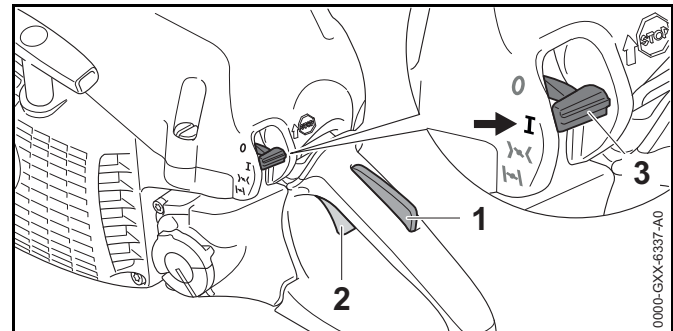
- ▶ Asegúrese de tener los pies bien apoyados.
- ▶ Párese derecho.
- ▶ Siempre sujete y maneje la motosierra firmemente con la mano derecha en el mango trasero o el mango de control y la mano izquierda en el mango delantero. Siempre sujete la motosierra con las dos manos de esta manera, ya sea surdo o diestro.

Para arrancar el motor:

- ▶ Aplique el freno de la cadena,  12.1.
- ▶ Saque la funda de la cadena.
- ▶ Presione la válvula de descompresión.



- ▶ Presione el botón de bloqueo (1) hacia abajo y oprima el gatillo de aceleración (2) al mismo tiempo.
- ▶ Coloque la palanca de control maestro primero en la posición **I** y luego en la posición **I**.
- ▶ Sujete la motosierra con firmeza y tire del mango de arranque lentamente con la mano derecha hasta que sienta que se engrana.
- ▶ Tire del mango de arranque rápidamente y permita que la cuerda de arranque retorne y se enrolle varias vueltas hasta que el motor funcione.
- ▶ No tire de la cuerda de arranque por completo y no permita que el mango de arranque retorne con violencia. Guíelo lentamente hacia el interior de la caja para que la cuerda de arranque se enrolle correctamente.



- ▶ Oprima el botón de bloqueo (1), luego oprima momentáneamente el gatillo de aceleración (2). La palanca de control maestro (3) se desplazará a la posición de marcha **I** y el motor se desacelera a marcha en vacío.

- ▶ Si el motor no arranca luego de varios intentos, efectúe el procedimiento antes del arranque (📖 14.3) y luego repita el intento de arranque del motor.
- ▶ Suelte el freno de la cadena, 📖 12.2. La motosierra está lista para el uso.
- ▶ Si la cadena gira cuando el motor funciona a marcha en vacío, ajuste de velocidad de marcha en vacío, 📖 23.2.

INDICACIÓN

Si se acelera el motor con el freno de la cadena aplicado o con cadena bloqueada de alguna manera (es decir, sin poder moverse), se aumenta la carga y se provoca el patinaje continuo del embrague. Esto puede ocurrir si se acciona el acelerador por más de unos pocos segundos con la cadena aprisionada en la ranura de corte o cuando el freno de la cadena está aplicado. Para reducir el riesgo del sobrecalentamiento y de causarle daños a componentes de importancia (ejemplo: embrague, carcasa de polímero), siempre suelte el freno de la cadena antes de acelerar el motor y de iniciar los trabajos de corte. La única excepción a esta regla es cuando se está probando el funcionamiento del freno de la cadena, 📖 16.1.

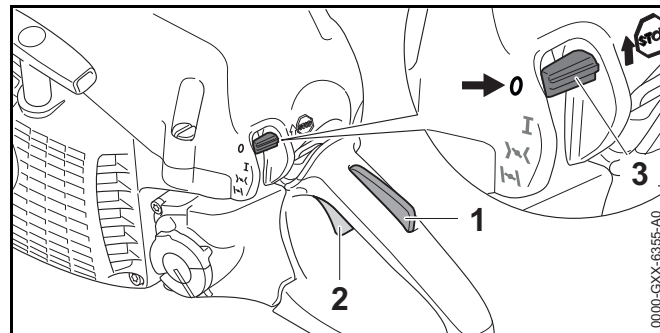
15 Apagado del motor

15.1 Apagado del motor

⚠ ADVERTENCIA

La cadena de aserrado continúa moviéndose por un tiempo breve luego de haber soltado el gatillo de aceleración. Para evitar lesiones graves o mortales, evite el contacto con la cadena en movimiento. Para reducir el riesgo de lesiones personales causadas por la activación accidental o el uso no autorizado, apague el motor, compruebe que la cadena se ha detenido y aplique el freno de la cadena antes de transportar la motosierra o de colocarla en el suelo.

Para apagar el motor:



- ▶ Suelte el gatillo de aceleración (2) y su bloqueo (1).
- ▶ Mueva la palanca de control maestro (3) a la posición 0.

16 Revisión de la motosierra

16.1 Control del funcionamiento del freno de la cadena

⚠ ADVERTENCIA

El uso de la sierra sin un freno de cadena o con uno dañado, modificado o que no se haya mantenido correctamente aumenta el riesgo de lesiones graves o fatales a causa de contragolpes. Nunca intente modificar o desactivar el freno de la cadena. Nunca use una motosierra si el freno de la cadena ha sido modificado o no funciona correctamente. Si detecta un cambio en las características de funcionamiento del freno de la cadena, haga que un concesionario de servicio STIHL autorizado lo repare inmediatamente.

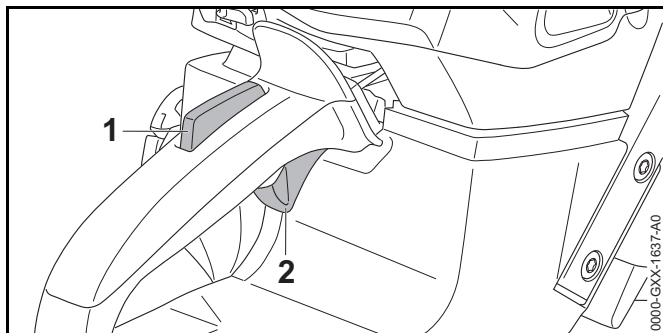
Antes de comenzar a trabajar, compruebe el funcionamiento del freno de la cadena:

- ▶ Deje que el motor funcione a marcha en vacío.
- ▶ Aplique el freno de la cadena, 📖 12.1.
- ▶ Acelere a régimen máximo por no más de 3 segundos. Si el freno de la cadena funciona correctamente, la cadena no deberá moverse.

- ▶ Si el freno de la cadena no impide el movimiento de la cadena, solicite a un concesionario autorizado de STIHL que lo inspeccione y lo repare.

16.2 Prueba de los controles

Antes de comenzar a trabajar, confirme que el bloqueo (1) y el gatillo (2) estén libres de daños y funcionen correctamente.



Bloqueo (1) y gatillo de aceleración (2)

! ADVERTENCIA

Para reducir el riesgo de lesiones graves o mortales, mantenga las manos, los pies y cualquier otra parte del cuerpo alejados de la cadena. No toque la cadena de aserrado mientras el motor esté en marcha. Nunca toque la cadena de aserrado en movimiento con las manos o con alguna parte del cuerpo, 5.6.3. Mantenga a las demás personas alejadas de la zona mientras prueba los controles.

Para probar los controles:

- ▶ Apague el motor, 15.1.
- ▶ Intente oprimir el gatillo de aceleración. Si es posible oprimir el gatillo sin antes oprimir el bloqueo del gatillo, lleve la motosierra a un concesionario de servicio STIHL autorizado para que la repare antes de utilizarla.

Parada del motor

- ▶ Arranque el motor, 14.4.
- ▶ Mueva la palanca de control maestro a la posición . El motor deberá pararse y la palanca de control maestro deberá regresar a la posición al soltarla.
- ▶ Si el motor no se para, mueva la palanca de control maestro a la posición . El motor se para.
- ▶ Lleve la motosierra a un concesionario de servicio STIHL autorizado para que la reparen antes de usarla.

16.3 Prueba de la lubricación de la cadena

! ADVERTENCIA

Nunca haga funcionar la sierra si la espada y la cadena no están lubricadas. Si la cadena funciona sin lubricación, el accesorio de corte sufrirá daños permanentes en un lapso muy breve. Una cadena dañada puede romperse y causar lesiones personales graves o fatales. Siempre revise la lubricación de la cadena y el nivel de aceite en el depósito antes de empezar a trabajar y de manera frecuente durante el trabajo.



Para confirmar si el aceite de la cadena fluye correctamente:

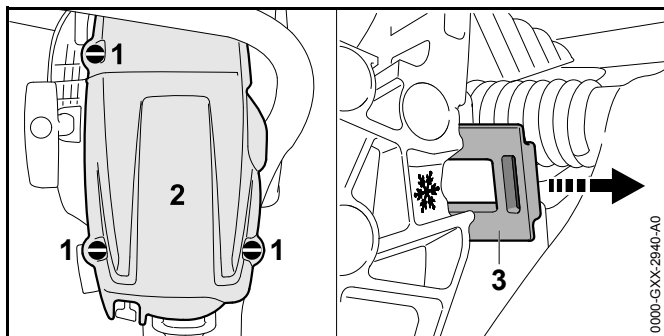
- ▶ Arranque el motor, 14.4.
- ▶ Suelte el freno de la cadena, 12.2.
- ▶ Dirija la espada hacia una superficie brillante.
- ▶ Acelere el motor. La cadena debe lanzar una pequeña cantidad de aceite. Si no se observa el aceite de la cadena, revise el nivel del aceite y llene el depósito, de ser necesario.
- ▶ Vuelva a probar la lubricación de la cadena.
- ▶ Si aún no se puede ver el aceite de la cadena, el mecanismo de lubricación no funciona. Lleve la motosierra a un concesionario de servicio STIHL autorizado para que la reparen antes de usarla.

17 Ajuste del carburador

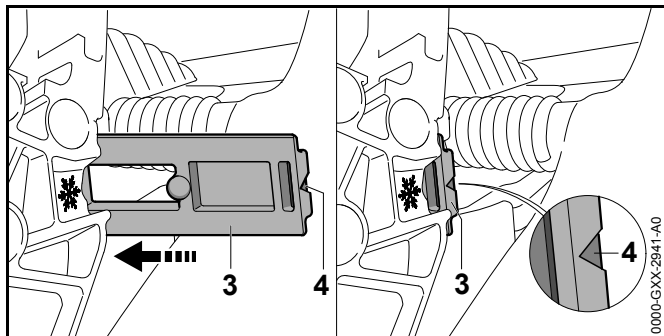
17.1 Manejo durante el invierno

El carburador puede helarse cuando se usa la sierra a una temperatura ambiente inferior a 10°C (50°F). Para evitar el helado, es necesario cambiar el obturador para que permita la entrada de aire caliente de alrededor del motor para calentar el carburador.

- ▶ Apague el motor,  15.1.
- ▶ Aplique el freno de la cadena,  12.1.



- ▶ Abra los bloqueos (1) de la envuelta girándolos 1/4 de vuelta en sentido contrahorario con la llave combinada.
- ▶ Retire la envuelta (2).
- ▶ Saque el obturador (3).



- ▶ Reinsertar el obturador de la forma ilustrada arriba.



- ▶ Inserte el obturador en la ranura hasta que haga tope. La muesca (4) permanece visible cuando se ha insertado el obturador por completo.
- ▶ Coloque la envuelta en su lugar.
- ▶ Apriete los bloqueos de la envuelta hasta que se escuchen chasquidos.

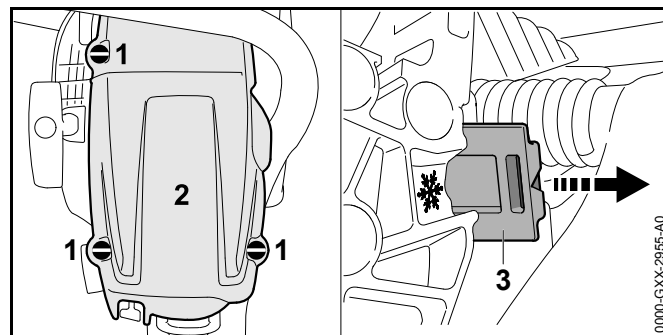
INDICACIÓN

La posición de invierno solo debe usarse cuando la temperatura ambiente sea inferior a 10°C (50°F). Si se usa a temperaturas más altas, el motor podría sobrecalentarse, lo cual podría causarle daños permanentes. Recuerde siempre colocar el obturador en la posición que corresponda con la temperatura ambiente.

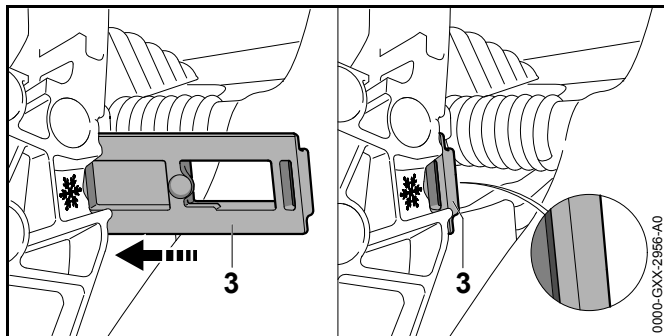
17.2 Manejo durante el verano

El obturador debe colocarse en posición de verano cuando se trabaje a temperaturas superiores a los 10°C (50°F).

- ▶ Apague el motor,  15.1.
- ▶ Aplique el freno de la cadena,  12.1.



- ▶ Abra los bloqueos (1) de la envuelta girándolos 1/4 de vuelta en sentido contrahorario con la llave combinada.
- ▶ Retire la envuelta (2).
- ▶ Saque el obturador (3).

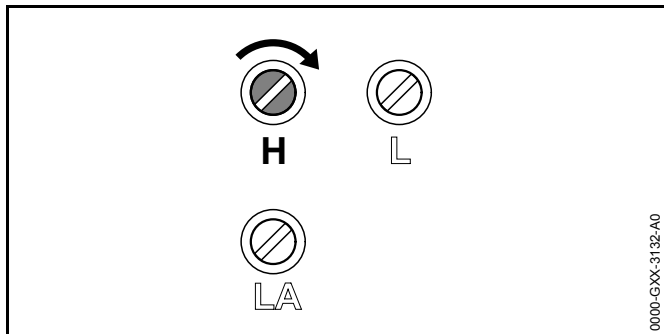


- ▶ Reinsertar el obturador de la forma ilustrada arriba.
- ▶ Inserte el obturador en la ranura hasta que haga tope.
- ▶ Coloque la envuelta en su lugar.
- ▶ Apriete los bloqueos de la envuelta hasta que se escuchen chasquidos.

17.3 Corrección del ajuste del carburador para uso a alturas grandes

Si se usa la motosierra a alturas grandes, el carburador podría necesitar un ajuste leve.

- ▶ Arranque el motor, 14.4.
- ▶ Suelte el freno de la cadena, 15.1.
- ▶ Caliente el motor por medio de abrir y cerrar el acelerador por aproximadamente 1 minuto.



- ▶ Gire el tornillo de velocidad alta (H) levemente en sentido horario (más pobre) hasta que el motor vuelva a entregar su potencia máxima. No lo gire más allá del tope.

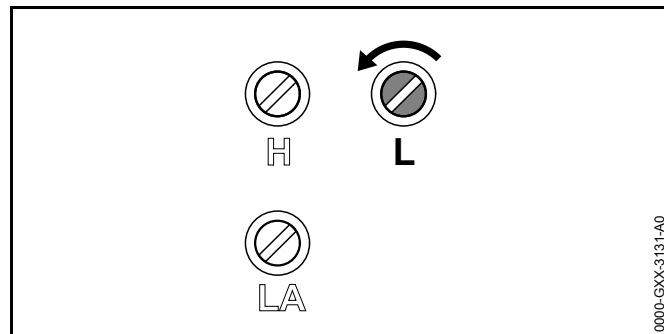
INDICACIÓN

Si el ajuste es demasiado pobre existe el riesgo de dañar el motor debido a una lubricación insuficiente y calor excesivo. Después de que la máquina haya regresado del punto a altura grande, devuelva el carburador al ajuste normal.

17.4 Corrección del carburador para trabajar a temperaturas menores que -10°C (14°F)

Si se usa la motosierra a temperaturas menores que -10°C (14°F), el motor podría no acelerarse correctamente. El carburador podría requerir un ajuste leve.

- ▶ Arranque el motor, 14.4.
- ▶ Suelte el freno de la cadena, 15.1.
- ▶ Caliente el motor por medio de abrir y cerrar el acelerador por aproximadamente 1 minuto.



- ▶ Gire el tornillo de velocidad baja (L) 1/4 de vuelta en sentido contrahorario.
- ▶ Generalmente es necesario cambiar el ajuste del tornillo de marcha en vacío (LA) después de cada corrección hecha al tornillo de velocidad baja (L). Si la cadena gira continuamente o el motor se para, ajuste la velocidad de marcha en vacío, 23.2.

INDICACIÓN

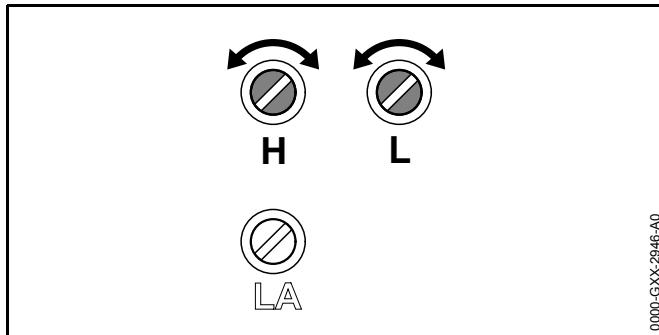
La potencia del motor podría disminuir perceptiblemente si la sierra se utiliza posteriormente a temperaturas superiores a los -10°C (14°F). Vuelva a regular el carburador al ajuste estándar.

17.5 Ajuste estándar del carburador

El carburador se ajusta en la fábrica al ajuste estándar. Este ajuste provee una mezcla óptima de combustible y aire bajo la mayoría de las condiciones de funcionamiento.

Para volver a regular el carburador al ajuste estándar:

- ▶ Apague el motor y aplique el freno de la cadena.



- ▶ Gire el tornillo de ajuste de velocidad alta (H) en sentido contrahorario hasta su tope.
- ▶ Gire el tornillo de velocidad baja (L) en sentido horario hasta que tope, y después gírelo en sentido contrario 1/4 de vuelta.

18 Después de completar el trabajo**18.1 Preparación para el transporte o el almacenamiento****⚠ ADVERTENCIA**

Para reducir el riesgo de lesiones personales causadas por la activación accidental o el uso no autorizado, apague el motor y aplique el freno de la cadena antes de transportar la motosierra o de colocarla en el suelo. Para reducir el riesgo de lesiones a causa de las picas afiladas en la cadena, cubra siempre la espada con la funda antes de transportar o guardar la sierra.

Para preparar la sierra para el transporte o el almacenamiento:

- ▶ Apague el motor, 📖 15.
- ▶ Suelte el freno de la cadena y afloje la cadena, 📖 12.2.
- ▶ Vuelva a accionar el freno de la cadena.
- ▶ Deslice la funda de la cadena por la espada de modo que la cubra por completo.
- ▶ Recuerde volver a ajustar la tensión de la cadena antes de usar la motosierra.

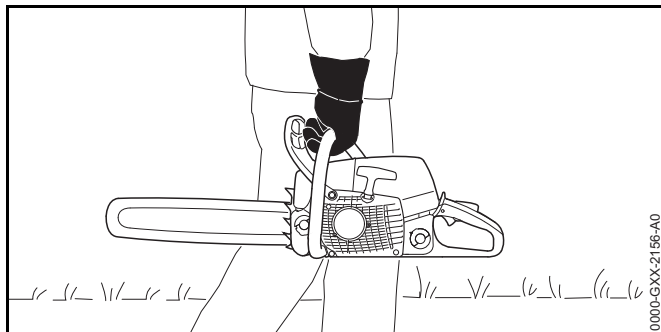
INDICACIÓN

La cadena se contrae al enfriarse. Si no se afloja la cadena después de haber finalizado el trabajo, se puede dañar el eje impulsor y los cojinetes.

19 Transporte

19.1 Transporte de la motosierra

Al transportar la motosierra:



- ▶ Deslice la funda de la cadena por la espada de modo que la cubra por completo.
- ▶ Al transportar la sierra con la mano, sosténgala por el mango frontal con la espada apuntando hacia atrás, en dirección opuesta a la que está caminando. Mantenga el silenciador alejado de su cuerpo.
- ▶ Cuando transporte la sierra en un vehículo, cubra la espada con una funda de cadena. Asegure y coloque la motosierra de manera tal que se eviten vuelcos, derramamiento del combustible, impactos y daños.

La sierra incluye como equipo estándar una funda para la espada que corresponde al accesorio de corte. Para reducir el riesgo de lesiones al usar espadas de largos diferentes en la misma motosierra, asegúrese que el largo de la funda sea apropiado para la espada. Deberá cubrir toda la longitud de la espada.

20 Almacenamiento

20.1 Almacenamiento de la motosierra

⚠ ADVERTENCIA

Guarde la motosierra bajo techo, en un lugar seco y bajo llave al que los niños y otras personas no autorizadas no puedan acceder, 5.4. Un procedimiento incorrecto de almacenamiento podría permitir el uso no autorizado de la motosierra y causarle daños, 5.4.

Para guardar la motosierra a corto plazo:

- ▶ Espere hasta que el motor se enfríe.
- ▶ Guarde la máquina con el tanque de combustible lleno en un lugar seco, alejada de fuentes de encendido, hasta que la vuelva a utilizar.


Para guardar la motosierra por tres meses o más:

- ▶ Vacíe y limpie el tanque de combustible en una zona bien ventilada. Deseche el combustible de acuerdo con los requerimientos locales de protección del medio ambiente.
- ▶ Deje el motor en marcha hasta que se apague solo. El carburador estará seco. Esto ayuda a evitar que los diafragmas del carburador se peguen.
- ▶ Quite la cadena y la espada.
- ▶ Limpie la espada y rociela con un disolvente de resinas, tal como el lubricante y eliminador de resinas STIHL.
- ▶ Limpie la sierra, 21.1.
- ▶ Limpie el filtro de aire, 21.3.
- ▶ Llene el depósito de aceite de la cadena, 11.2.
- ▶ Guarde la sierra bajo techo, en un lugar seco y bajo llave, fuera del alcance de los niños y de otras personas no autorizadas.



21 Limpieza

21.1 Limpieza de la motosierra

! ADVERTENCIA


Para reducir el riesgo de lesiones personales por la activación accidental, apague el motor y aplique el freno de la cadena antes de realizar algún trabajo de limpieza,  8. Los usuarios de esta motosierra deben efectuar únicamente la limpieza descrita en este manual.

Para limpiar la motosierra:




- ▶ Apague el motor,  15.
- ▶ Aplique el freno de la cadena,  12.1.
- ▶ Limpie los componentes de plástico de la motosierra con un paño levemente humedecido. No use detergentes o disolventes. Estos pueden dañar los componentes de polímero.
- ▶ Retire la envuelta y limpie las aletas del cilindro.
- ▶ Quite la cubierta del piñón y limpie el área alrededor del piñón de la cadena con un paño levemente humedecido o un solvente de resinas, como el lubricante y eliminador de resinas STIHL.
- ▶ No utilice una hidrolavadora para limpiar la motosierra ni la rocíe con agua u otros líquidos.

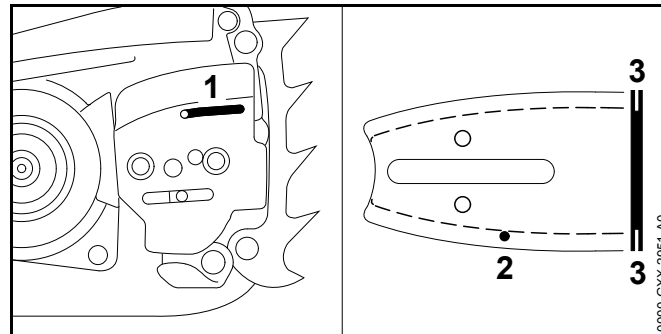
21.2 Limpieza de la espada y la cadena de aserrado

! ADVERTENCIA

Para reducir el riesgo de lesiones personales por la activación accidental, apague el motor y aplique el freno de la cadena antes de realizar algún trabajo de limpieza,  8. Los usuarios de esta motosierra solo deben llevar a cabo la limpieza tal como se describe en este manual. Para ayudar a prevenir lesiones, use siempre guantes resistentes al manipular la cadena.

Para limpiar correctamente la espada y la cadena:

- ▶ Apague el motor,  15.
- ▶ Aplique el freno de la cadena,  12.1.
- ▶ Retire la espada y la cadena,  10.2.2.





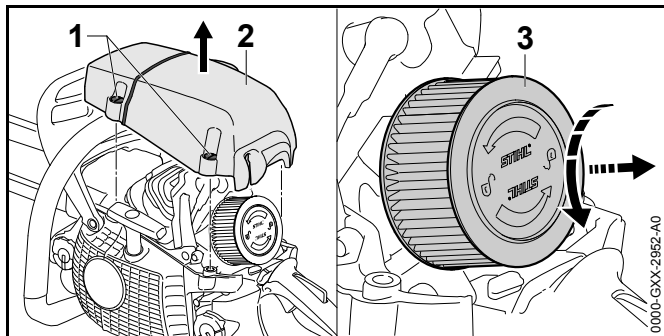
- ▶ Limpie el conducto de salida de aceite (1), el orificio de entrada de aceite (2) y la ranura (3) con un cepillo, un paño levemente humedecido o un disolvente de resinas, como el lubricante y eliminador de resinas STIHL. No use detergentes.
- ▶ Limpie la cadena con un cepillo, un paño levemente humedecido o un disolvente de resinas. No use detergentes.
- ▶ No utilice una hidrolavadora para limpiar la espada o la cadena ni las rocíe con agua u otros líquidos.

21.3 Limpieza del filtro de aire

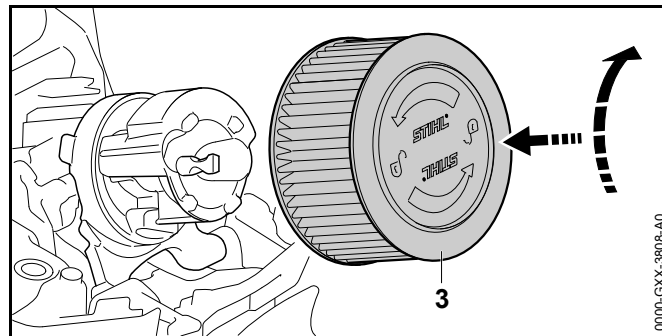
Las partículas muy finas de polvo pueden acumular en el filtro de aire y obstruir el flujo adecuado de aire. Este polvo no puede eliminarse con sencillamente cepillar el polvo del filtro o golpearlo levemente. El filtro de aire deberá limpiarse con el limpiador especial STIHL o con otro agente limpiador con un valor de pH superior a 12.

Para limpiar el filtro de aire:

- ▶ Apague el motor,  15.1.
- ▶ Aplique el freno de la cadena,  12.1.



- ▶ Abra los bloqueos (1) de la envuelta girándolos 1/4 de vuelta en sentido contrahorario con la llave combinada.
- ▶ Retire la envuelta (2).
- ▶ Limpie la zona de alrededor del filtro de aire (3) con un paño húmedo o un cepillo suave.
- ▶ Gire el filtro de aire 1/4 de vuelta en sentido contrahorario con la mano.
- ▶ Retire el filtro de aire.
- ▶ Quite la suciedad gruesa del exterior del filtro de aire con agua corriente. Nunca limpie el filtro de aire con una hidrolavadora.
- ▶ Si el filtro de aire presenta daños, sustitúyalo.
- ▶ Rocíe el exterior y el interior del filtro de aire deberá limpiarse con el limpiador especial STIHL o con otro agente limpiador con un valor de pH superior a 12.
- ▶ Permita que el limpiador especial STIHL o el agente limpiador actúe por 10 minutos.
- ▶ Utilice un cepillo suave para limpiar el exterior del filtro de aire.
- ▶ Enjuague el exterior y el interior del filtro de aire con agua corriente. Nunca limpie el filtro de aire con una hidrolavadora.
- ▶ Deje que el filtro de aire se seque.



- ▶ Una vez que el filtro de aire (3) se haya secado por completo, colóquelo en su lugar con la mano y gírelo en sentido horario hasta que se enganche en posición. El logotipo "STIHL" debe quedar en sentido horizontal.
- ▶ Coloque la envuelta en su lugar.
- ▶ Apriete los bloqueos de la envuelta hasta que se escuchen chasquidos.

! ADVERTENCIA

El agente limpiador puede causar irritación si entra en contacto con la piel o los ojos. Evite el contacto. Lea y atégase a todas las precauciones de seguridad que acompañan al agente limpiador. En caso del contacto directo con la piel: Lave las superficies afectadas con agua abundante y jabón. En caso del contacto con los ojos: Enjuague los ojos con agua abundante por no menos de 15 minutos y acuda al médico.

INDICACIÓN

Para reducir el riesgo de daños, nunca use herramientas para instalar ni retirar el filtro de aire.

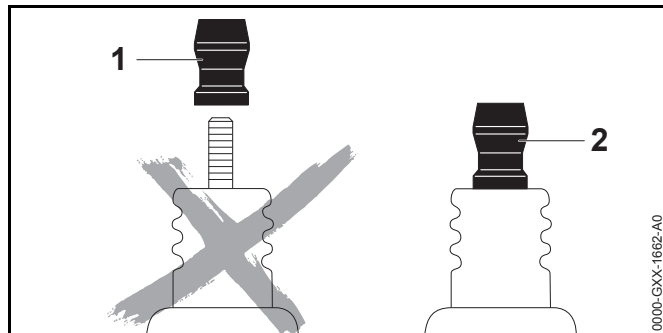
INDICACIÓN

Si el filtro de aire queda expuesto a temperaturas elevadas y al aceite, podría dañarse y deteriorar la eficacia del filtrado. Deje que el filtro de aire se seque alejado de fuentes de calor exteriores. Mantenga el filtro alejado del aceite.

21.4 Limpieza de la bujía

⚠ ADVERTENCIA

Para reducir el riesgo de incendio y de quemaduras, utilice solamente las bujías autorizadas por STIHL. Siempre inserte el casquillo de la bujía bien apretado en el borne de la bujía.



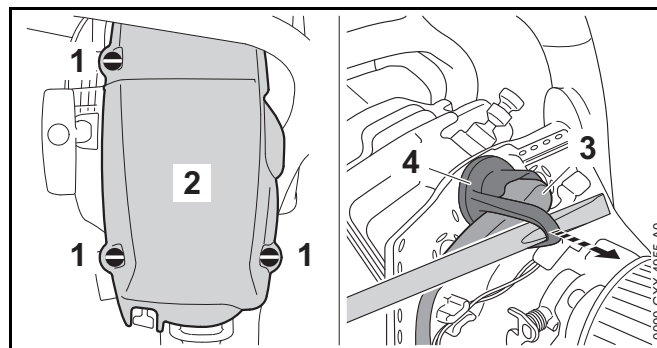
⚠ ADVERTENCIA

No use una bujía con un terminal adaptador SAE desmontable (1). Podría crearse un arco voltaico que podría encender los vapores del combustible y provocar un incendio. Esto podría causar lesiones o daños materiales graves. Use únicamente bujías tipo resistor con terminales sólidos, sin rosca (2).

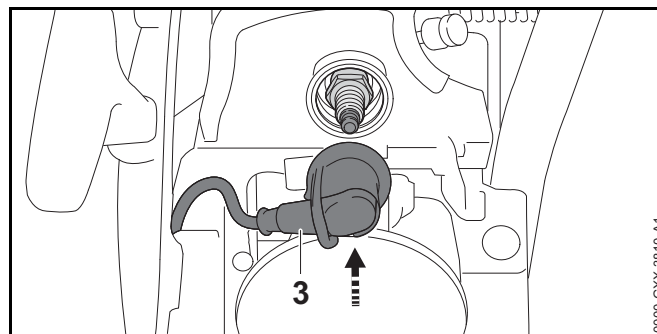
Una mezcla de combustible incorrecta (demasiado aceite de motor en la gasolina), un filtro de aire sucio o condiciones de funcionamiento poco favorables (funcionamiento durante periodos prolongados a aceleración parcial), pueden afectar el estado de la bujía y provocar que se formen depósitos en el pie del aislador, lo que empeora el rendimiento.

Para limpiar la bujía:

- ▶ Apague el motor, 15.1.
- ▶ Aplique el freno de la cadena, 12.1.
- ▶ Deje que la motosierra se enfríe.



- ▶ Abra los bloqueos (1) de la envuelta girándolos 1/4 de vuelta en sentido contrahorario con la llave combinada.
- ▶ Retire la envuelta (2).
- ▶ Quite el casquillo de la bujía (3) por medio de tirar de la pestaña (4).
- ▶ Limpie la zona que rodea la bujía con un paño húmedo o con un cepillo suave.
- ▶ Destornille la bujía.
- ▶ Limpie la bujía con un trapo.
- ▶ Si la bujía presenta corrosión, instale una bujía nueva.



- ▶ Si la bujía está húmeda, séquela completamente antes de volverla a colocar.
- ▶ Inserte la bujía y apriétela hasta que quede firme.
- ▶ Conecte el casquillo (3) a la bujía y empújelo firmemente.
- ▶ Coloque la envuelta en su lugar.

- ▶ Apriete los bloqueos de la envuelta hasta que se escuchen chasquidos.

21.5 Limpieza del chispero



! ADVERTENCIA

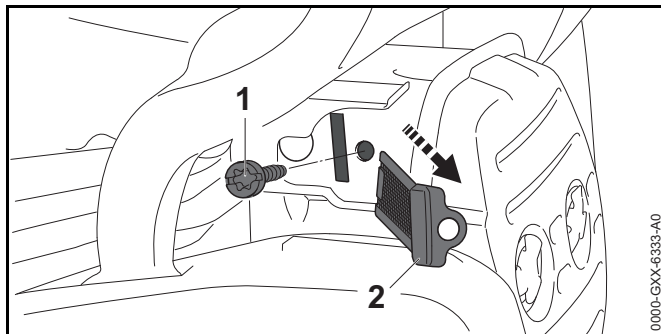
Para reducir el riesgo de incendios causados por partículas calientes que salen despedidas, nunca use la motosierra si el chispero falta o está dañado. Nunca modifique el silenciador ni el chispero. Para reducir el riesgo de incendios provocados por una acumulación de desperdicios (p. ej., agujas de pino, ramas u hojas), asegúrese de que los tapones del silenciador están en su lugar antes de empezar a trabajar.

INDICACIÓN

Para algunas aplicaciones, las leyes o los reglamentos estatales o federales pueden exigir el uso de un chispero en buenas condiciones de mantenimiento.

Para limpiar el chispero:

- ▶ Apague el motor,  15.
- ▶ Aplique el freno de la cadena,  12.1.
- ▶ Deje que la motosierra y el silenciador se enfrien.














- ▶ Retire el tornillo (1).
- ▶ Saque el chispero (2).
- ▶ Limpie el chispero.

- ▶ Si el chispero está obstruido o muy carbonizado, solicite a un concesionario de servicio STIHL autorizado que lo remplace.
- ▶ Vuelva a colocar el chispero y apriete el tornillo.
- ▶ Si los tapones del silenciador están dañados o faltan, coloque tapones nuevos.

22 Inspección y mantenimiento


22.1 Tabla de inspección y mantenimiento

Los intervalos de mantenimiento que figuran a continuación se dan a modo de ejemplo y corresponden a condiciones de trabajo normales. El uso que le dé a la máquina y su experiencia determinarán la frecuencia de inspección y de mantenimiento necesaria.		Antes de empezar a trabajar	Una vez terminado el trabajo	Cuando cargue combustible	Semanalmente	Mensualmente	Anualmente	Capítulo correspondiente
Máquina completa	Inspección visual	X		X				
	Limpiar		X					 21.1
Controles	Comprobar el funcionamiento y el	X		X				 16.2
Freno de la cadena	Comprobar funcionamiento	X						 16.1
Tanque de aceite de la cadena	Limpiar ¹⁾					X	X	
Lubricación de la cadena	Comprobar flujo de aceite de la	X						 16.3
Tanque de combustible	Limpiar ¹⁾					X		
Recogedor de combustible / filtro	Limpiar ¹⁾					X		
	Reemplazar ¹⁾						X	
Filtro de aire	Limpiar					X		 21.3
Cadena de aserrado	Comprobar tensión de la cadena	X		X				 10.3
	Afilarse ¹⁾	X		X	X			 22.5
Espada	Comprobar si la extensión y la profundidad de la ranura son adecuadas				X			 22.4
	Desbarbar				X			 22.4
Piñón de la cadena	Inspeccionar				X			 22.3
Retenedor de la cubierta del piñón	Inspeccionar ¹⁾				X			
Toma de aire de la carcasa del	Limpiar		X		X			
Aletas del cilindro	Limpiar		X			X		
Chispero del silenciador	Comprobar si está en su lugar	X						
	Revisar y limpiar ¹⁾						X	 21.5
Tapones del silenciador	Revisar	X						

¹⁾ STIHL recomienda acudir a un concesionario de servicio STIHL autorizado

22.2 Inspección y mantenimiento de la motosierra

⚠ ADVERTENCIA

Para reducir el riesgo de lesiones causadas por una activación accidental, apague el motor y aplique el freno de la cadena antes de inspeccionar la motosierra o de realizar cualquier trabajo de mantenimiento,  8. Lleve a cabo únicamente las tareas de mantenimiento que se describen en este manual. No hay reparaciones que el usuario esté autorizado a llevar a cabo. STIHL le recomienda que encargue las reparaciones a concesionarios de servicio STIHL autorizados.

El mantenimiento adecuado de la motosierra incluye las siguientes actividades:

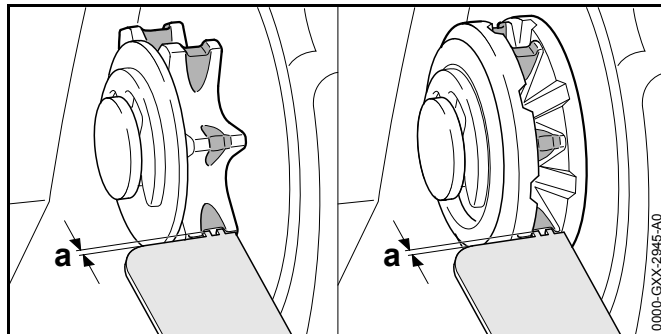
- ▶ Instalar una bujía nueva después de aprox. 100 horas de funcionamiento, o antes si los electrodos están muy gastados o corroídos.
- ▶ Inspeccionar y limpiar el chispero de acuerdo con la tabla de mantenimiento.
- ▶ Inspeccionar periódicamente el piñón de la cadena y solicitar a un concesionario de servicio STIHL autorizado que lo reemplace si está muy gastado.
- ▶ Inspeccionar la espada y comprobar si la ranura tiene la profundidad y la anchura adecuadas; reemplazar la espada si presenta signos de desgaste excesivo o daños.
- ▶ Afilar periódicamente la cadena, mantener las guías de limitación de profundidad a la altura apropiada y reemplazar la cadena de aserrado cuando las marcas de desgaste relevantes indiquen que es necesario, o cuando la cadena esté dañada o muestre signos de desgaste excesivo.
- ▶ Si las etiquetas de seguridad están gastadas o dañadas, o faltan, solicitar a un concesionario de servicio STIHL autorizado que las reemplace.

Si reclama cobertura de garantía para algún componente que no se ha reparado o mantenido debidamente, es posible que se le deniegue la garantía.

22.3 Revisión y mantenimiento del piñón de cadena

- ▶ Apague el motor y aplique el freno de la cadena.

- ▶ Quite la cubierta del piñón, la cadena de aserrado y la espada.




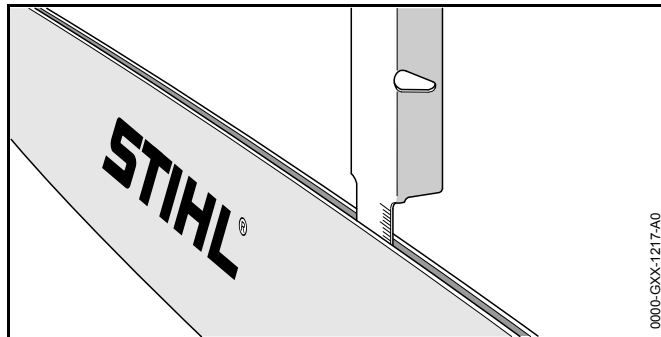
- ▶ Revise si hay marcas de desgaste en la cubierta del piñón de la cadena.
- ▶ Si las marcas de desgaste son más profundas que 0,020 pulg (0,5 mm), reemplace el piñón de la cadena.


STIHL recomienda el uso de piñones de cadena originales de STIHL para asegurar el funcionamiento óptimo del freno de cadena.

Alternar entre las dos cadenas ayuda a reducir el desgaste y a preservar el piñón de la cadena.

22.4 Inspección y mantenimiento de la espada

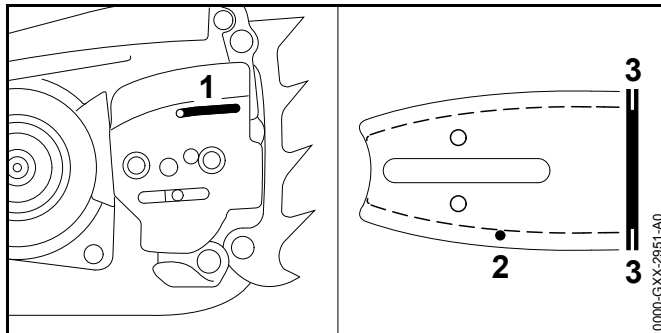
- ▶ Apague el motor y aplique el freno de la cadena.
- ▶ Retire la espada y la cadena de aserrado,  10.2.2.



- ▶ Mida la profundidad de la ranura de la espada en el área con el mayor desgaste usando la herramienta de medición en el calibrador de afilado (accesorio especial, no incluido).
- ▶ Reemplace la espada si la profundidad medida es menor que las profundidades mínimas requeridas que se mencionan en  24.4.
- ▶ Revise la expansión de la ranura de la espada con la herramienta de medición en el calibrador de limado.
- ▶ Reemplace la espada si la ranura se estrechó, se expandió o muestra signos de desgaste o daño significativos.

Para realizar el mantenimiento de la espada:

- ▶ Dé vuelta la espada después de cada afilado y cada vez que se sustituya la cadena. Esto contribuye a evitar el desgaste desparejo. La espada no tiene una "parte superior" o "parte inferior". Puede usarse en cualquier orientación, aunque la impresión de la espada esté para abajo.



- ▶ Limpie el conducto de salida de aceite (1), el orificio de entrada de aceite (2) y la ranura (3) con un cepillo, un paño levemente humedecido o un solvente de resinas, como el lubricante y eliminador de resinas STIHL. No use detergentes.
- ▶ Quite periódicamente las rebabas metálicas que se puedan formar en la espada con una lima plana o una herramienta rectificadora de espada STIHL.
- ▶ Reemplace la espada si las rebabas no se pueden limar o si la espada se daña.

22.5 Inspección, mantenimiento y afilado de la cadena de aserrado

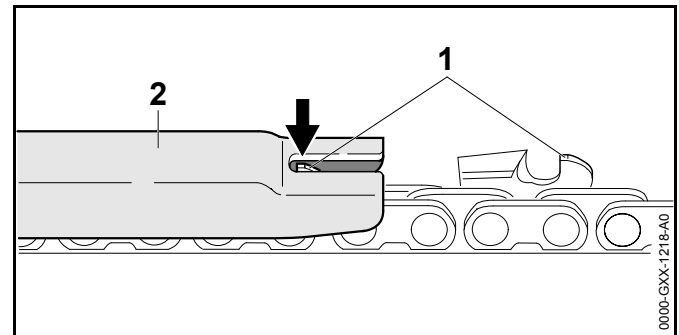
⚠ ADVERTENCIA

Una cadena afilada incorrectamente puede aumentar el riesgo de contragolpe y otras fuerzas reactivas, lo que puede causar lesiones personales graves o la muerte. Por ejemplo, los calibradores de profundidad demasiado bajos o las picas afiladas incorrectamente pueden aumentar la tendencia a contragolpes de la motosierra y las fuerzas de contragolpe, lo que dificulta el control de la sierra. Siempre revise y cumpla con los ángulos y las dimensiones de afilado recomendados por STIHL al controlar o afilar la cadena.

⚠ ADVERTENCIA

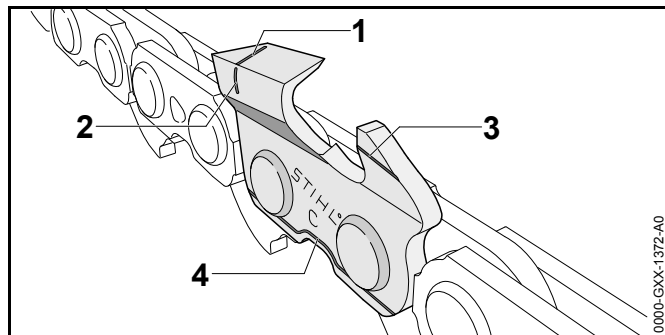
No use nunca una cadena que esté roma o dañada. Esto genera un mayor esfuerzo físico, una mayor carga de vibración, resultados de corte no satisfactorios y un mayor desgaste. Si las astillas de corte son finas, más similares a aserrín, es probable que la cadena esté roma.

- ▶ Apague el motor y aplique el freno de la cadena.



- ▶ Compruebe la altura del calibrador de profundidad (1) con un calibrador de afilado STIHL (2) que corresponda con el paso de la cadena.
- ▶ Si el calibrador de profundidad sobresale por encima del calibrador de afilado, lime el primero a la altura adecuada.
- ▶ Trabaje con mucho cuidado. No lime el calibrador de profundidad demasiado bajo. Un calibrador de profundidad demasiado bajo debe ser reemplazado y

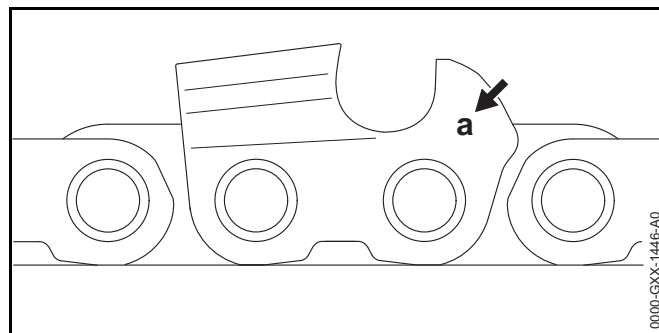
afilado por un concesionario de servicio STIHL autorizado, ya que puede aumentar la tendencia a contragolpes de la motosierra y aumentar las fuerzas de contragolpe.



La cadena STIHL está fabricada con marcas de desgaste para ayudar al operador a identificar el desgaste excesivo. Las marcas de desgaste que se muestran arriba (1 a 4) deben permanecer visibles.

- ▶ Reemplace la cadena si las marcas de desgaste ya no son visibles.
- ▶ Compruebe el ángulo de afilado de 30° de las picas con un calibrador de lima STIHL que corresponda con el paso de la cadena.
- ▶ Si el ángulo de afilado es incorrecto, rectifique las picas con un ángulo de 30°.
- ▶ Si no puede lograr el ángulo correcto, o sospecha que no lo ha logrado, solicite que un concesionario autorizado de STIHL afile la cadena.

Una cadena mal afilada puede ser peligrosa. Puede aumentar el potencial de crear fuerzas reactivas, incluido el contragolpe, y además aumentar la magnitud de dichas fuerzas reactivas.




La marca (a) de paso de la cadena está trabada en la zona del calibrador de profundidad de cada pica.

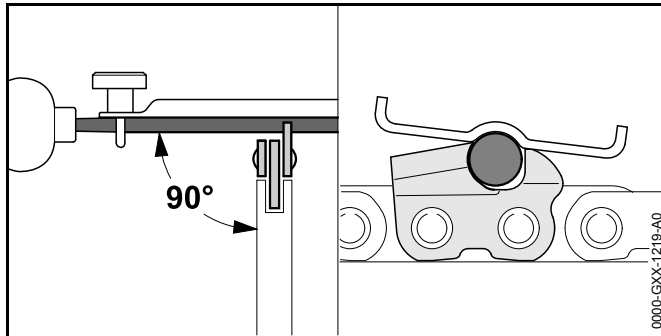
Estas marcas pueden significar lo siguiente:

Marca (a)	Paso de la cadena de aserrado
1	1/4 pulg
2	0,325 pulg
3	3/8 pulg
4	0,404 pulg
6	3/8 pulg Picco
7	1/4 pulg Picco

Para afilar la cadena:

- ▶ Apague el motor y aplique el freno de la cadena.
- ▶ Seleccione una lima de cadena con un diámetro acorde al paso de la cadena. Otras limas no son adecuadas y pueden hacer que la cadena quede mal afilada, lo que puede aumentar la posibilidad y la fuerza de un contragolpe u otras fuerzas reactivas.
- ▶ Fije la espada si es necesario para facilitar el afilado.
- ▶ Para hacer que la cadena avance, primero suelte el freno de la cadena,  12.2.
- ▶ Use un portalimas. Los portalimas tienen marcas que designan el ángulo de afilado adecuado.

- ▶ Lime todas las picas con un ángulo idéntico. Por lo general, dos o tres pasadas de la lima son suficientes para un afilado simple. Quite un poco de material con cada pasada, El afilado con ángulos y alturas diversos e inconsistentes puede ser muy peligroso y puede hacer que la cadena funcione de manera despareja y acelere su desgaste, hasta el punto de que se rompa. También puede aumentar la tendencia y fuerza de un contragolpe y otras fuerzas reactivas.



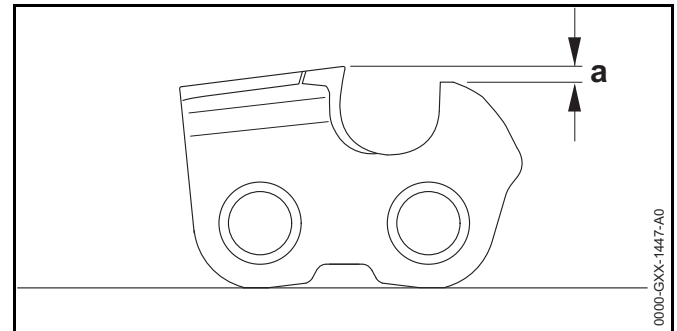
- ▶ Guíe la lima horizontalmente al ángulo correcto al lado de la superficie de la espada de acuerdo con el ángulo especificado.
- ▶ Lime únicamente desde el interior de la pica hacia afuera.
- ▶ Levante la lima en la pasada de vuelta. La lima afila solamente en la pasada de ida.
- ▶ No lime las tiras ni los eslabones impulsores.
- ▶ Gire periódicamente la lima para evitar el desgaste desparejo.
- ▶ Para quitar una rebaba de afilado del diente de la pica, pásela por un pedazo de madera dura.
- ▶ Controle el ángulo de afilado con un calibrador de afilado.

Todas las picas deben ser de igual longitud y deben rectificarse hasta el largo de la pica más corta. De lo contrario, se aumentará la tendencia y la fuerza de los contragolpes y otras fuerzas reactivas.

STIHL recomienda que un concesionario de servicio STIHL autorizado afile la cadena para reducir el riesgo de lesiones graves o mortales a causa del afilado incorrecto de la cadena.


⚠ ADVERTENCIA

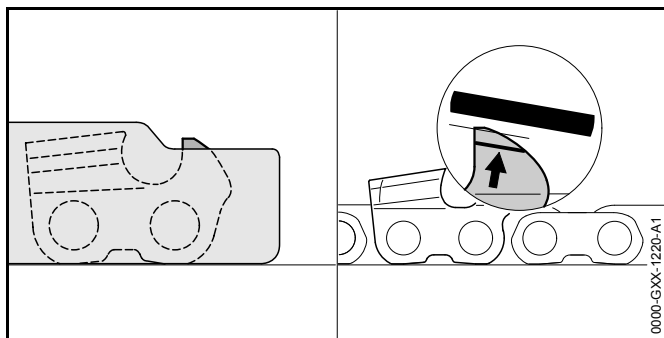
Los calibradores de profundidad que son demasiado bajos aumentan la posibilidad y la fuerza de los contragolpes y otras fuerzas, lo que puede generar un mayor riesgo de lesiones personales graves. Mantenga siempre la distancia (a) adecuada entre el calibrador de profundidad y la parte superior de la pica.



El calibrador determina la profundidad a la cual penetran las picas en la madera, y por lo tanto el grosor de los fragmentos.

Un calibrador de profundidad que es demasiado bajo aumentará la tendencia a contragolpe y otras fuerzas reactivas de la motosierra.

Un calibrador de profundidad que es demasiado alto evitará que la pica entre en la pieza y perjudica el desempeño del corte. Mantenga siempre la distancia (a) requerida entre el calibrador de profundidad y el borde cortante,  24.5.









Para bajar correctamente el calibrador de profundidad:

- ▶ Apoye el calibrador de afilado adecuado para el paso de la cadena sobre la cadena y presiónelo contra la pica que se desea controlar. Si el calibrador de profundidad sobresale por encima del calibrador de afilado, debe limarse el calibrador de profundidad.
- ▶ Lime el calibrador de profundidad de modo que quede a ras con el calibrador de afilado.
- ▶ Luego, quite el calibrador de afilado y el borde frontal de la lima del calibrador de profundidad paralelo a la marca de servicio. Al hacer esto, tenga cuidado de no bajar más el punto más alto del calibrador de profundidad.
- ▶ Apoye el calibrador de afilado sobre la cadena para comprobar la altura del mismo. El punto más alto del calibrador de profundidad debe quedar al ras con el calibrador de afilado.
- ▶ Después del afilado, limpie la cadena completamente y quite las partículas metálicas y el polvo.
- ▶ Aceite la cadena completamente.







23 Guía de solución de problemas

23.1 Motosierra


Hay muchos problemas de desempeño que pueden resolverse con unos pasos sencillos. Durante la localización de averías, STIHL recomienda empezar con las medidas siguientes:

- ▶ Limpie el filtro de aire,  21.3.
- ▶ Limpie o reemplace la bujía,  21.4.
- ▶ Según corresponda con las condiciones, ajuste el obturador de la sierra para trabajo en invierno o en verano,  17.1 o  17.2.
- ▶ Vuelva a regular el carburador al ajuste estándar,  17.5.
- ▶ Ajuste la velocidad de marcha en vacío de la sierra,  23.2.
- ▶ Si estas medidas no resuelven el problema, continúe con los pasos que se describen a continuación.

Siempre apague el motor antes de realizar alguna tarea de inspección, limpieza o mantenimiento.

Condición	Causa posible	Solución
El motor no arranca.	El depósito tiene una cantidad insuficiente de combustible.	▶ Cargue combustible en la motosierra,  13.2.
	El motor está ahogado.	▶ Despeje la cámara de combustión,  23.3.
	El carburador está helado.	▶ Deje que el motor se caliente gradualmente a una temperatura de aproximadamente 10 °C (50 °F).
El régimen de marcha en vacío es irregular.	El carburador está helado.	▶ Deje que el motor se caliente gradualmente a una temperatura de aproximadamente 10 °C (50 °F).
El motor se para durante el funcionamiento en marcha en vacío.	El carburador está helado.	▶ Deje que el motor se caliente gradualmente a una temperatura de aproximadamente 10 °C (50 °F).
La aceleración es deficiente.	La cadena está demasiado tensa.	▶ Tense la cadena correctamente,  10.3.
	Falta de aceite para la espada y cadena.	▶ Entrega insuficiente de aceite,  11.3.
La cadena no se mueve cuando se acelera el motor.	El freno de la cadena está accionado.	▶ Suelte el freno de la cadena,  12.2.
	La cadena está demasiado tensa.	▶ Tense la cadena correctamente,  10.3.
	El piñón de la espada está bloqueado.	▶ Rocíe el piñón de la espada con eliminador de resinas.

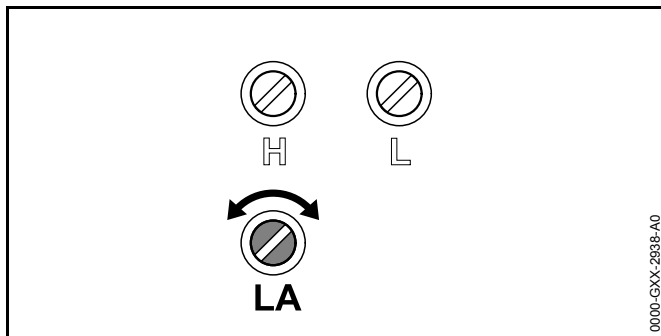
Siempre apague el motor antes de realizar alguna tarea de inspección, limpieza o mantenimiento.

Condición	Causa posible	Solución
La motosierra emana humo o huele a quemado durante el serrado.	La cadena está desafilada o mal afilada.	► Afile la cadena correctamente,  10.3.
	Técnica no adecuada de trabajo o mala utilización de la sierra.	► Infórmese en cuanto a técnicas de trabajo adecuadas.
	Falta de aceite para la espada y cadena.	► Solicite a un concesionario de servicio STIHL autorizado que revise el mecanismo de lubricación de la cadena.

23.2 Ajuste de marcha en vacío

! ADVERTENCIA

Para reducir el riesgo de lesiones personales debido a la pérdida de control o al contacto con la cadena de aserrado, no use una sierra cuya velocidad de marcha en vacío esté mal regulada. Cuando el régimen de marcha en vacío está correctamente regulado, la cadena no debe moverse. Si la cadena sigue en marcha cuando el motor está funcionando a marcha en vacío, pida a su concesionario de servicio que revise y repare la motosierra.



El motor se para durante el funcionamiento a marcha en vacío

Ajuste el régimen de marcha en vacío de la sierra:

- ▶ Vuelva a regular el carburador al ajuste estándar, 17.5.
- ▶ Arranque el motor y suelte el freno de la cadena.
- ▶ Caliente el motor por medio de abrir y cerrar el acelerador por aproximadamente 1 minuto.
- ▶ Si el motor sigue parándose cuando funciona a marcha en vacío, gire el tornillo de marcha en vacío (LA) media vuelta en sentido horario y vuelva a arrancar el motor.
- ▶ Gire el tornillo de ajuste de marcha en vacío (LA) en sentido horario hasta que la cadena empiece a moverse.
- ▶ Gire el tornillo de marcha en vacío (LA) una vuelta completa en sentido contrahorario.

La cadena se mueve de modo continuo mientras el motor está a marcha en vacío

Ajuste el régimen de marcha en vacío de la sierra:

- ▶ Vuelva a regular el carburador al ajuste estándar, 17.5.
- ▶ Arranque el motor y suelte el freno de la cadena.
- ▶ Caliente el motor por medio de abrir y cerrar el acelerador por aproximadamente 1 minuto.
- ▶ Gire el tornillo de ajuste de marcha en vacío (LA) en sentido contrahorario hasta que la cadena se detenga.
- ▶ Gire el tornillo de marcha en vacío (LA) una vuelta completa en sentido contrahorario.

23.3 Despejado de la cámara de combustión

! ADVERTENCIA

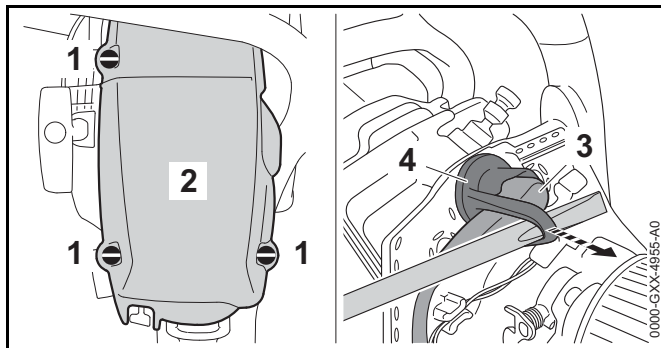
Para reducir el riesgo de incendio y de quemaduras, utilice solamente las bujías autorizadas por STIHL. Siempre inserte el casquillo bien apretado en el borne de la bujía.

! ADVERTENCIA

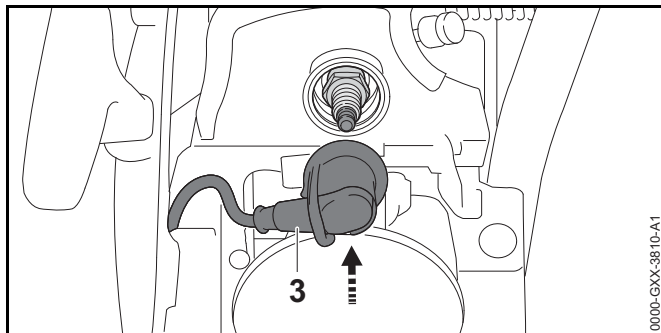
Para reducir el riesgo de producir un incendio, siempre mueva la palanca de control maestro a la posición **0** antes de tirar del mango de arranque, si se ha quitado el casquillo de la bujía.

Si piensa que el motor está ahogado, habrá que despejar la cámara de combustión antes de que se pueda arrancar la sierra. Para despejar la cámara de combustión:

- ▶ Apague el motor, 15.1.
- ▶ Aplique el freno de la cadena, 12.1.
- ▶ Deje que la motosierra se enfríe.



- ▶ Abra los bloqueos (1) de la envuelta girándolos 1/4 de vuelta en sentido contrahorario con la llave combinada.
- ▶ Retire la envuelta (2).
- ▶ Quite el casquillo de la bujía (3) por medio de tirar de la pestaña (4).
- ▶ Desenrosque la bujía y séquela.
- ▶ Mueva la palanca de control maestro a la posición 0.
- ▶ Tire del mango de arranque y guíelo de regreso a su posición inicial varias veces.
La cámara de combustión quedará despejada.



- ▶ Vuelva a colocar la bujía y apriétela bien firme.
- ▶ Conecte el casquillo (3) a la bujía y empújelo firmemente.
- ▶ Coloque la envuelta en su lugar.
- ▶ Apriete los bloqueos de la envuelta hasta que se escuchen chasquidos.

24 Especificaciones

24.1 E.P.A.

El "Emission Compliance Period" (período de cumplimiento de emisiones) indicado en la etiqueta de cumplimiento de emisiones es la cantidad de horas de funcionamiento durante la cual el motor ha demostrado la conformidad con los requerimientos de emisiones del Gobierno federal de los EE. UU.

Categoría:

A = 300 horas

B = 125 horas

C = 50 horas

24.2 STIHL MS 261

- Cilindrada: 50,2 cm³ (3,06 pulg)
- Potencia del motor según ISO 7293: 3,0 kW (4,0 bhp)
- Potencia del motor según ISO 11681: 2.800 ± 50 r/min
- Velocidad máxima del motor: 14.000 r/min
- Bujías recomendadas: Bosch WSR 6 F por STIHL, NGK BPMR 7 A por STIHL
- Distancia entre electrodos de la bujía: 0,5 mm (0,02 pulg)
- Peso sin combustible, aceite, espada o cadena de aserrado: 10,8 lb (4,9 kg)
- Volumen máximo del depósito de combustible: 16,9 oz (0,5 l)
- Volumen máximo del tanque de aceite: 9,1 oz (0,27 l)

No use aceites para mezclar con designaciones BIA o TCW (para motores de dos tiempos enfriados por agua) ni otros aceites para mezclar diseñados para usar en motores enfriados por agua o por aire (por ejemplo, en motores marinos fuera de borda, motonieves, motosierras, bicimotos, etc.).

24.3 Piñones de cadena

Los piñones de cadena siguientes se encuentran disponibles para este modelo de motosierra:

- 7 dientes para paso de 0,325 pulg

24.4 Profundidad de ranura mínima para las espadas

La profundidad de ranura mínima de una espada depende del paso de esta.

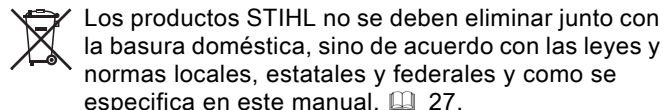
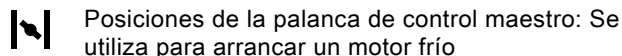
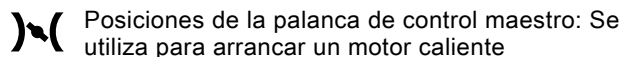
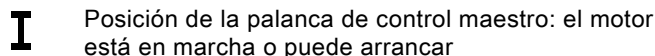
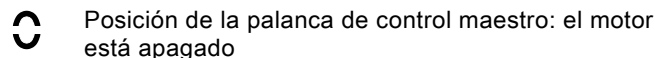
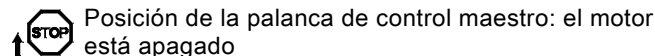
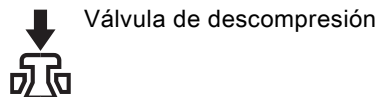
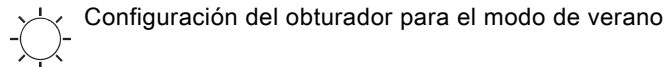
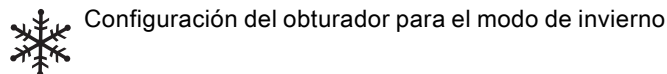
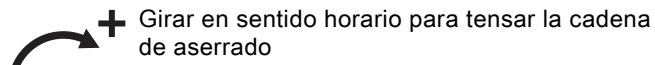
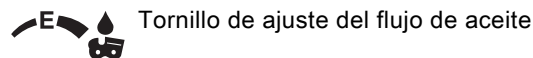
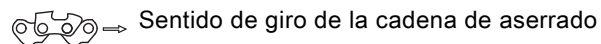
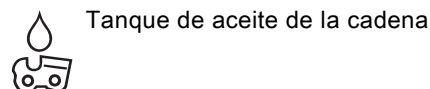
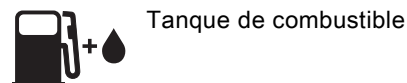
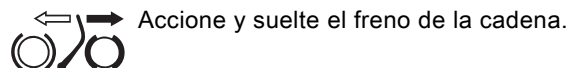
- Profundidad mínima de ranura para espadas de 0,325 pulg de paso: 6 mm (0,236 pulg)

24.5 Ajuste de calibrador de profundidad

El ajuste del calibrador de profundidad de una cadena de aserrado depende del paso de ésta.

- Ajuste de calibrador de profundidad para cadenas de 0,325 pulg de paso: 0,65 mm (0,026 pulg)

24.6 Símbolos en la motosierra



24.7 Mejoras técnicas

STIHL tiene la filosofía de mejorar continuamente todos sus productos. Como resultado de ello, periódicamente se introducen cambios de diseño y mejoras. Por lo tanto, es posible que algunos cambios, modificaciones y mejoras no se describan en este manual. Si las características de funcionamiento o la apariencia de su máquina difieren de las descritas en este manual, comuníquese con el concesionario STIHL para obtener la ayuda que requiera.

25 Combinaciones de espadas y cadenas de aserrado

25.1 STIHL MS 261

Paso	Grueso del eslabón impulsor/Ancho de la ranura	Largo	Espada	Cantidad de dientes del piñón	Cuenta de eslabones impulsores	Cadena de aserrado
0,325 p ulg	1,6 mm (0,063 pulg)	40 cm (16 pulg)	Rollomatic E	11	67	26 RM3, (Tipo 3634)
		45 cm (18 pulg)			74	
		50 cm (20 pulg)			81	

Las combinaciones de espada y cadena que se indican arriba cumplen con el requisito de ángulo de contragolpe de 45° calculado por computadora que se estipula en § 5.11 de la norma ANSI/OPEI B175.1 cuando se emplean en este modelo de motosierra con los piñones compatibles que se indican arriba.


Use las espadas o cadenas de aserrado de reemplazo solo como se indica anteriormente o como lo indica STIHL en conformidad con el requisito de ángulo de contragolpe calculado de 45° de § 5.11 de la norma ANSI/OPEI B175.1, cuando se emplean en este modelo de motosierra.

Las espadas especificadas son las espadas de contragolpe reducido con etiqueta verde STIHL. Las cadenas especificadas son cadenas de bajo contragolpe con etiqueta verde STIHL.

Debido a la posibilidad de que nuevas combinaciones de espada/cadena hayan sido desarrolladas después de la publicación de este manual, consulte con su concesionario STIHL acerca de las recomendaciones más recientes de STIHL.

26 Piezas y equipos de repuesto

26.1 Piezas de repuesto originales de STIHL

STIHL recomienda el uso de piezas de repuesto originales de STIHL. Es posible identificar las piezas originales de STIHL por el número de pieza STIHL, el logotipo de **STIHL** y, en ciertos casos, el símbolo  de piezas STIHL. En las piezas pequeñas el símbolo puede aparecer solo.

27 Eliminación

27.1 Desecho de la herramienta motorizada

Los productos STIHL no se deben desechar junto con la basura del hogar, sino de la manera en que se detalla en este manual.

- ▶ Tome la herramienta motorizada y su embalaje a un sitio aprobado para desecharla y que efectúe un reciclaje no dañino al medio ambiente.
- ▶ Comuníquese con un concesionario de servicio STIHL autorizado para obtener la información más actualizada sobre eliminación y reciclado.

28 Garantía limitada

28.1 Política de garantía limitada de STIHL Incorporated

Este producto se vende sujeto a la Política de garantía limitada de STIHL Incorporated, disponible en www.stihlusa.com/warranty.html. También puede obtenerlo de un concesionario de servicio STIHL autorizado o llamando al 1-800-GO-STIHL (1-800-467-8445).

29 Garantía del sistema de control de emisiones

29.1 Declaración de garantía de STIHL Incorporated sobre sistemas de control de emisiones según normas federales

Sus derechos y obligaciones de garantía

La Agencia de Protección del Medio Ambiente (EPA) de los EE.UU. y STIHL Incorporated se complacen en explicarle la garantía del sistema de control de emisiones instalado en el motor de su equipo. En EE.UU., los nuevos motores pequeños para equipos de uso fuera de carretera modelos 1997 y posteriores deben estar diseñados, construidos y equipados, en el momento de la venta, de conformidad con los reglamentos de la EPA de EE.UU. para los motores pequeños de uso fuera de carretera. El motor del equipo debe estar libre de defectos materiales y de fabricación que pudieran implicar un incumplimiento de las normas de la EPA estadounidense durante los primeros dos años de uso del motor, calculados a partir de la fecha en que lo adquirió el último comprador.

STIHL Incorporated debe garantizar el sistema de control de emisiones de su motor pequeño para uso fuera de carretera por el intervalo que se especifica a continuación, siempre que el motor no haya estado expuesto a maltrato, negligencia o mantenimiento inapropiado.

El sistema de control de emisiones de su máquina incluye piezas como el carburador y el sistema de encendido. Además, puede incluir mangueras, conectores y otros grupos asociados al control de emisiones.

En los casos en que exista un problema cubierto por la garantía, STIHL Incorporated reparará el motor pequeño para equipos de uso fuera de carretera sin costo alguno, incluyendo el diagnóstico (si el trabajo de diagnóstico lo realiza un concesionario autorizado), las piezas y la mano de obra.

Cobertura de garantía del fabricante

En EE.UU., los motores pequeños para equipos de uso fuera de carretera fabricados en 1997 y más adelante están garantizados por dos años. En el caso de encontrarse defectos en cualquiera de las piezas del motor relacionadas con el sistema de control de emisiones, la pieza será reparada o sustituida por STIHL Incorporated sin costo alguno.

Responsabilidades del usuario en relación con la garantía

Como propietario de un motor pequeño para equipos de uso fuera de carretera, usted tiene la responsabilidad de realizar el mantenimiento necesario que figura en su manual de instrucciones. STIHL Incorporated le recomienda que guarde todos los recibos de los trabajos de mantenimiento que se hagan en su motor pequeño para equipos de uso fuera de carretera, pero STIHL Incorporated no puede denegar la garantía basándose únicamente en el hecho de que faltan recibos o en el incumplimiento del propietario de realizar todos los trabajos de mantenimiento programados.

El uso de cualquier pieza de repuesto o servicio cuyo comportamiento y durabilidad sean equivalentes está permitido en trabajos de mantenimiento o reparación no contemplados en la garantía, y no reducirá las obligaciones de garantía del fabricante del motor.

Sin embargo, como propietario del motor pequeño para equipo de uso fuera de carretera, usted debe ser consciente de que STIHL Incorporated puede negarle cobertura de garantía si dicho motor o una pieza del mismo ha fallado debido a maltrato, descuido, mantenimiento inadecuado o modificaciones no autorizadas.

Usted es responsable de llevar el motor pequeño para equipos de uso fuera de carretera a un centro de servicio STIHL tan pronto surja un problema. Las reparaciones cubiertas por la garantía serán realizadas en un tiempo razonable, sin exceder de 30 días.

Si tiene cualquier duda sobre sus derechos y responsabilidades en relación con esta garantía, póngase en contacto con un representante del servicio de atención al cliente de STIHL llamando al 1-800-467-8445, o escriba a STIHL Incorporated, 536 Viking Drive, P.O. Box 2015, Virginia Beach, VA 23450-2015 (www.stihlusa.com)

Cobertura por parte de STIHL Incorporated

STIHL Incorporated garantiza al último comprador y a cada uno de los compradores subsiguientes que el motor pequeño para equipo de uso fuera de carretera está diseñado, construido y equipado, en el momento de la venta, de conformidad con todos los reglamentos sobre emisiones aplicables. Además, STIHL Incorporated garantiza al comprador inicial y a cada uno de los compradores subsiguientes que el motor está libre de defectos materiales y de fabricación que puedan causar el incumplimiento de los reglamentos sobre emisiones aplicables durante un período de dos años.

Período de garantía

El período de garantía comenzará el día en que el comprador inicial adquiera el motor de equipo utilitario. Se recomienda que registre el producto, para que STIHL tenga una forma de ponerse en contacto con usted si alguna vez necesita enviarle información sobre reparaciones o recabar información sobre su producto, pero este no es un paso imprescindible para disfrutar del servicio de garantía.

Si cualquier componente del motor relacionado con el sistema de control de emisiones está defectuoso, STIHL Incorporated lo sustituirá sin costo alguno para el propietario. Cualquier pieza garantizada cuyo reemplazo no esté programado como mantenimiento requerido, o que deba recibir únicamente inspección regular en el sentido de "reparar o sustituir según sea necesario", estará garantizada durante el período de garantía. Cualquier pieza garantizada cuyo reemplazo esté programado como mantenimiento requerido estará garantizada por el periodo de tiempo hasta el primer punto de recambio programado para esa pieza.

Diagnóstico

A usted, como propietario, no se le cobrará la mano de obra por el diagnóstico que ayude a determinar que una pieza de control de emisiones garantizada está defectuosa. No obstante, si usted reclama garantía para un componente de control de emisiones y se comprueba que la máquina no está defectuosa, STIHL Incorporated le cobrará el costo de la prueba del sistema de control de emisiones. El trabajo de diagnóstico mecánico se realizará en un centro de servicio

STIHL autorizado. La prueba de emisiones se puede realizar en las instalaciones de STIHL Incorporated o en un laboratorio de pruebas independiente.

Trabajo bajo garantía

STIHL Incorporated reparará los defectos amparados por la garantía en cualquier estación de garantía o concesionario de servicio de STIHL autorizado. Cualquier trabajo de este tipo se llevará a cabo sin costo alguno para el propietario si se determina que la pieza cubierta por la garantía está defectuosa.

Para llevar a cabo las tareas de mantenimiento o reparación cubiertas por la garantía en los componentes relacionados con el sistema de control de emisiones se puede usar cualquier pieza de repuesto aprobada por el fabricante o equivalente. La pieza de repuesto se facilitará al propietario sin costo alguno. STIHL Incorporated es responsable de los daños que sufran otros componentes del motor a consecuencia del fallo de una pieza de control de emisiones garantizada que todavía esté bajo garantía.

En la siguiente lista figuran específicamente las piezas garantizadas relacionadas con las emisiones:

- Filtro de aire
- Carburador (si corresponde)
- Abrazaderas
- Varillajes de control
- Cilindro
- Volante
- Elementos de sujeción
- Tapa del tanque de combustible
- Tubo de combustible
- Adaptadores del tubo de combustible
- Bomba de combustible
- Tanque de combustible
- Múltiple de admisión
- Sistema de encendido por magneto o electrónico (módulo de encendido o unidad de control electrónica)

- Silenciador
- Bujía
- Válvula de solenoide (si corresponde)
- Convertidor catalítico (si corresponde)
- Estrangulador (sistema de enriquecimiento para arranque en frío) (si corresponde)
- Bomba de inyección (si corresponde)
- Válvula de inyección (si corresponde)
- Carcasa del acelerador (si corresponde)

Dónde reclamar el servicio de garantía

Lleve el producto a un concesionario de servicio STIHL autorizado de su localidad.

Requisitos de mantenimiento

Las instrucciones de mantenimiento que figuran en este manual están basadas en la aplicación de la mezcla recomendada de combustible/aceite para motores de 2 tiempos. En caso de desviación con respecto a los valores de calidad y de proporción de mezcla de combustible y aceite recomendados, pueden ser necesarios intervalos de mantenimiento más cortos.

Limitaciones

Esta garantía de los sistemas de control de emisiones no cubrirá ninguno de los siguientes supuestos:

- Reparación o sustitución necesaria a consecuencia de maltrato, negligencia o falta del mantenimiento exigido.
- Reparaciones realizadas incorrectamente o sustituciones no conformes con las especificaciones de STIHL Incorporated que afecten negativamente al funcionamiento y/o a la durabilidad, y alteraciones o modificaciones no recomendadas o no aprobadas por escrito por STIHL Incorporated.
- Sustitución de piezas y otros servicios y ajustes necesarios para el mantenimiento exigido en y después del primer punto de reemplazo programado.

30 Marcas comerciales

30.1 Marcas comerciales registradas

STIHL®

STIHL®

G®

La combinación de colores anaranjado-gris (Registros en EE. UU. #2,821,860; #3,010,057; #3,010,058, #3,400,477; y #3,400,476)

AutoCut®

YARD BOSS®

STIHL ROLLOMATIC®

WOOD BOSS®



FARM BOSS®

iCademy®

MAGNUM®

MasterWrench Service®

MotoMix®

OILOMATIC®

ROCK BOSS®

STIHL Cutquik®



STIHL DUROMATIC®

STIHL Quickstop®

STIHL WOOD BOSS®

TIMBERSPORTS®



STIHL Arctic™	STIHL RAPID™
STIHL Compact™	STIHL SuperCut™
STIHL Interchangeable Attachment Series™	STIHL Multi-Cut HomeScaper Series™
TapAction™	STIHL Territory™
	

Esta lista de marcas comerciales está sujeta a cambios.

Queda terminantemente prohibido todo uso de estas marcas comerciales sin el consentimiento expreso por escrito de ANDREAS STIHL AG & Co. KG, Waiblingen.

31 Direcciones

31.1 STIHL Incorporated

STIHL Incorporated
536 Viking Drive
P.O. Box 2015
Virginia Beach, VA
23452-2015

30.2 Marcas comerciales por ley común

4-MIX™	HT Plus™
BioPlus™	STIHL PowerSweep™
Easy2Start™	STIHL Protech™
EasySpool™	STIHL MiniBoss™
ElastoStart™	STIHL MotoPlus 4™
Ematic™	Master Control Lever™
STIHL Precision Series™	STIHL OUTFITTERS™
FixCut™	STIHL PICCO™
Micro™	TrimCut™
Pro Mark™	STIHL M-Tronic™
Quad Power™	STIHL HomeScaper Series™
Quiet Line™	STIHL PolyCut™

! WARNING

Use of this chain saw can generate dust and other substances containing chemicals known to the State of California to cause cancer, birth defects or other reproductive harm.

! ADVERTENCIA

El uso de esta motosierra puede generar polvo y otras sustancias que contienen productos químicos considerados por el Estado de California como causantes de cáncer, defectos de nacimiento u otra toxicidad reproductora.

! WARNING

This chain saw contains chemicals known to the State of California to cause cancer, birth defects or other reproductive harm.

! ADVERTENCIA

Esta motosierra contiene productos químicos considerados por el Estado de California como causantes de cáncer, defectos de nacimiento u otra toxicidad reproductora.

0458-573-8621-D

englisch / spanisch USA



www.stihl.com



0458-573-8621-D