

STIHL®

STIHL FS 94

Instruction Manual
Notice d'emploi



Ⓞ **Instruction Manual**
1 - 38

Ⓣ **Notice d'emploi**
39 - 80

Contents

Guide to Using this Manual	2	Disposal	36
Safety Precautions and Working Techniques	2	STIHL Limited Emission Control Warranty Statement	36
Approved Combinations of Cutting Attachment, Deflector, Handle and Harness	11		
Mounting the Loop Handle	12		
Fitting the Carrying Ring	14		
Mounting the Deflector	14		
Mounting the Cutting Attachment	15		
Fuel	18		
Fueling	19		
Fitting the Harness	20		
Balancing the Machine	20		
Starting / Stopping the Engine	21		
Transporting the Unit	24		
Operating Instructions	25		
Cleaning the Air Filter	25		
Engine Management	26		
Adjusting the Carburetor	26		
Spark Plug	26		
Storing the Machine	27		
Sharpening Metal Cutting Blades	28		
Maintaining the Mowing Head	28		
Inspection and Maintenance by User	29		
Inspections and Maintenance by Dealer	30		
Maintenance and Care	31		
Main Parts	33		
Specifications	35		
Maintenance and Repairs	36		

Dear Customer,

Thank you for choosing a quality engineered STIHL product.

It has been built using modern production techniques and comprehensive quality assurance. Every effort has been made to ensure your satisfaction and troublefree use of the product.

Please contact your dealer or our sales company if you have any queries concerning this product.

Your



Dr. Nikolas Stihl

STIHL®

This instruction manual is protected by copyright. All rights reserved, especially the rights to reproduce, translate and process with electronic systems.

Guide to Using this Manual

Pictograms

The meanings of the pictograms attached to the machine are explained in this manual.

Depending on the model concerned, the following pictograms may be attached to your machine.



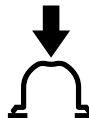
Fuel tank; fuel mixture of gasoline and engine oil



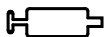
Operate decompression valve



Manual fuel pump



Operate manual fuel pump



Tube of grease



Intake air: Summer operation



Intake air: Winter operation



Handle heating

Symbols in text



WARNING

Warning where there is a risk of an accident or personal injury or serious damage to property.



NOTICE

Caution where there is a risk of damaging the machine or its individual components.

Engineering improvements

STIHL's philosophy is to continually improve all of its products. For this reason we may modify the design, engineering and appearance of our products periodically.

Therefore, some changes, modifications and improvements may not be covered in this manual.

Safety Precautions and Working Techniques



Some special safety precautions have to be observed when working with this power tool because of the very high speed of the cutting attachment.



It is important that you read the instruction manual before first use and keep it in a safe place for future reference. Non-observance of the instruction manual may result in serious or even fatal injury.

Observe all applicable local safety regulations, standards and ordinances.

If you have not used this type of power tool before: Have your dealer or other experienced user show you how to operate your machine or attend a special course in its operation.

Minors should never be allowed to use a power tool.

Keep bystanders, especially children, and animals away from the work area.

When the power tool is not in use, shut it off so that it does not endanger others. Secure it against unauthorized use.

The user is responsible for avoiding injury to third parties or damage to their property.

Do not lend or rent your power tool without the instruction manual. Be sure that anyone using it understands the information contained in this manual.

The use of noise emitting power tools may be restricted to certain times by national or local regulations.

To operate the power tool you must be rested, in good physical condition and mental health.

If you have any condition that might be aggravated by strenuous work, check with your doctor before operating a power tool.

Persons with pacemakers only: The ignition system of your power tool produces an electromagnetic field of a very low intensity. This field may interfere with some pacemakers. STIHL recommends that persons with pacemakers consult their physician and the pacemaker manufacturer to reduce any health risk.

Do not operate the power tool if you are under the influence of any substance (drugs, alcohol) which might impair vision, dexterity or judgment.

Depending on the cutting attachment fitted, use your power tool only for cutting grass, wild growth, shrubs, scrub, bushes, small diameter trees and similar materials.

Do not use your power tool for any other purpose because of the **increased risk of accidents**.

Only use cutting attachments and accessories that are explicitly approved for this power tool model by STIHL or are technically identical. If you have any questions in this respect, consult a servicing dealer. Use only high quality tools and accessories in order to avoid the risk of accidents and damage to the machine.

STIHL recommends the use of genuine STIHL tools and accessories. They are specifically designed to match the product and meet your performance requirements.

Never attempt to modify your machine in any way since this may increase the risk of personal injury. STIHL excludes all liability for personal injury and damage to property caused while using unauthorized attachments.

The deflector on this power tool cannot protect the operator from all objects thrown by the cutting attachment (stones, glass, wire, etc.). Such objects may ricochet and then hit the operator.

Do not use a pressure washer to clean the unit. The solid jet of water may damage parts of the unit.

Clothing and Equipment

Wear proper protective clothing and equipment.



Clothing must be sturdy but allow complete freedom of movement. Wear snug-fitting clothing, an overall and jacket combination, do not wear a work coat.

Avoid clothing that could get caught on branches or brush or moving parts of the machine. Do not wear a scarf, necktie or jewelry. Tie up and confine long hair (e.g. with a hair net, cap, hard hat, etc.).



Wear steel-toed safety boots with non-slip soles.

Sturdy shoes with non-slip soles may be worn as an alternative only when using mowing heads.



WARNING



To reduce the risk of eye injuries, wear snug-fitting safety glasses in accordance with European Standard EN 166. Make sure the safety glasses are a good fit.

Wear a face shield and make sure it is a good fit. A face shield alone does not provide adequate eye protection.

Wear hearing protection, e.g. earplugs or ear muffs.

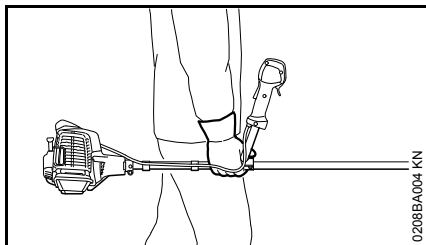
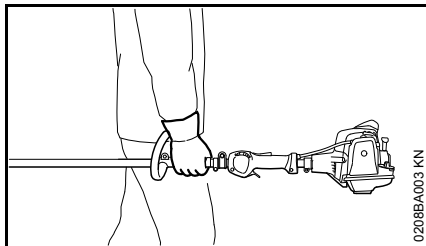
Wear a safety hard hat for thinning operations, when working in high scrub and where there is a danger of head injuries from falling objects.



Wear robust work gloves made of durable material (e.g. leather).

STIHL offers a comprehensive range of personal protective clothing and equipment.

Transporting the Power Tool



Always stop the engine.

Carry the unit hanging from the shoulder strap or properly balanced by the drive tube.

To reduce the risk of cut injuries, fit transport guard on the cutting attachment, even when carrying the tool for short distances – see also "Transporting the Unit".



To reduce the risk of serious burn injuries, avoid touching hot parts of the machine, including the gearbox housing.

Transporting by vehicle: Properly secure your power tool to prevent turnover, fuel spillage and damage.

Fueling



Gasoline is an extremely flammable fuel. Keep clear of naked flames. Do not spill any fuel – do not smoke.

Always shut off the engine before refueling.

Do not fuel a hot engine – **fuel may spill and cause a fire.**

Open the fuel cap carefully to allow any pressure build-up in the tank to release slowly and avoid fuel spillage.

Fuel your power tool only in well-ventilated areas. If you spill fuel, wipe the machine immediately – if fuel gets on your clothing, change immediately.



After fueling, tighten down the fuel tank cap as securely as possible.

This reduces the risk of unit vibrations causing the fuel cap to loosen or come off and spill quantities of fuel.

To reduce the risk of serious or fatal burn injuries, check for fuel leakage. If fuel leakage is found, do not start or run the engine until leak is fixed.

Before Starting

Check that your power tool is properly assembled and in good condition – refer to appropriate chapters in the instruction manual.

- Check the fuel system for leaks, paying special attention to visible parts such as the tank cap, hose connections and the manual fuel pump (on machines so equipped). If there are any leaks or damage, do not start the engine – **risk of fire**. Have your machine repaired by a servicing dealer before using it again.
- Use only an approved combination of cutting attachment, deflector, handle and harness. All parts must be assembled properly and securely.
- The stop switch / slide control must move freely.
- Smooth action of choke knob, throttle trigger lockout and throttle trigger – the throttle trigger must return automatically to the idle position. The choke knob must spring back from the **I** position to the run position **I** when the throttle trigger lockout and throttle trigger are squeezed.
- Check that the spark plug boot is secure – a loose boot may cause arcing that could ignite combustible fumes **and cause a fire**.
- Check cutting tool or attachment for correct and secure assembly and good condition.

- Check protective devices (e.g. deflector for cutting attachment, rider plate) for damage or wear. Always replace damaged parts. Do not operate your machine with a damaged deflector or worn rider plate (lettering and arrows no longer legible).
- Never attempt to modify the controls or safety devices in any way.
- Keep the handles dry and clean – free from oil and dirt – for safe control of the power tool.
- Adjust the harness and handle(s) to suit your height and reach. See chapters on "Fitting the Harness" and "Balancing the Machine".

To reduce the risk of accidents, do not operate your power tool if it is damaged or not properly assembled.

If you use a shoulder strap or full harness: Practice removing and putting down the power tool as you would in an emergency. To avoid damage, do not throw the machine to the ground when practicing.

Starting the Engine

Start the engine at least 3 meters from the fueling spot, outdoors only.

Place the unit on firm ground in an open area. Make sure you have good balance and secure footing. Hold the unit securely. The cutting attachment must be clear of the ground and all other obstructions because it may begin to run when the engine starts.

Your power tool is a one-person unit. **To reduce the risk of injury** from thrown objects, do not allow other persons within a radius of 15 meters of your own position – even when starting.



To reduce the risk of injury, avoid contact with the cutting attachment.



Do not drop start the power tool – start the engine as described in the instruction manual. Note that the cutting attachment continues to run for a short period after you let go of the throttle trigger – **flywheel effect**.

Check idle speed setting: The cutting attachment must not rotate when the engine is idling with the throttle trigger released.

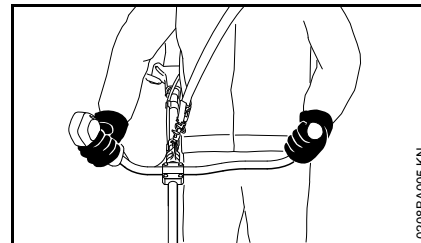
To reduce the risk of fire, keep hot exhaust gases and hot muffler away from easily combustible materials (e.g. wood chips, bark, dry grass, fuel).

Holding and Controlling the Power Tool

Always hold the power tool firmly with both hands on the handles.

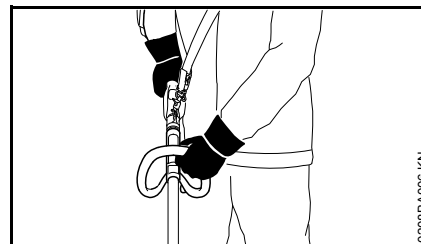
Make sure you always have good balance and secure footing.

Models with bike handle



Right hand on control handle, left hand on left handle.

Models with loop handle

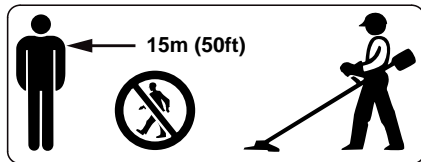


Left hand on loop handle, right hand on control handle, even if you are left-handed.

During Operation

Make sure you always have good balance and secure footing.

In the event of impending danger or in an emergency, switch off the engine immediately – move the stop switch / slide control in the direction of 0.



The cutting attachment may catch and fling objects a great distance and cause injury - therefore, do not allow any other persons within a radius of 15 meters of your own position. **To reduce the risk of damage to property**, also maintain this distance from other objects (vehicles, windows). Even maintaining a distance of 15 meters or more cannot exclude the potential danger.

The correct engine idle speed is important to ensure that the cutting attachment stops rotating when you let go of the throttle trigger.

Check and correct the idle speed setting regularly. If the cutting attachment continues to rotate when the engine is idling, have the machine checked by your servicing dealer. STIHL recommends an authorized STIHL servicing dealer.

Take special care in slippery conditions (ice, wet ground, snow), on slopes or uneven ground.

Watch out for obstacles: Roots and tree stumps which **could cause you to trip or stumble**.

Always stand on the ground while working, never on a ladder, work platform or any other insecure support.

Be particularly alert and cautious when wearing hearing protection because your ability to hear warnings (shouts, alarms, etc.) is restricted.

To reduce the risk of accidents, take a break in good time to avoid tiredness or exhaustion.

Work calmly and carefully – in daylight conditions and only when visibility is good. Stay alert so as not to endanger others.



Your power tool produces toxic exhaust fumes as soon as the engine is running. These fumes may be colorless and odorless and contain unburned hydrocarbons and benzol. Never run the engine indoors or in poorly ventilated locations, even if your model is equipped with a catalytic converter.

To reduce the risk of serious or fatal injury from breathing toxic fumes, ensure proper ventilation when working in trenches, hollows or other confined locations.

To reduce the risk of accidents, stop work immediately in the event of nausea, headache, visual disturbances (e.g. reduced field of vision), problems with hearing, dizziness, deterioration in ability to concentrate. Apart from other possibilities, these symptoms may be caused by an excessively high concentration of exhaust gases in the work area.

Operate your power tool so that it produces a minimum of noise and emissions – do not run the engine unnecessarily, accelerate the engine only when working.

To reduce the risk of fire, do not smoke while operating or standing near your power tool. Note that combustible fuel vapor may escape from the fuel system.

The dusts, vapor and smoke produced during operation may be dangerous to health. If the work area is very dusty or smoky, wear a respirator.

If your power tool is subjected to unusually high loads for which it was not designed (e.g. heavy impact or a fall), always check that it is in good condition before continuing work – see also "Before Starting".

Check the fuel system in particular for leaks and make sure the safety devices are working properly. Do not continue operating your power tool if it is damaged. In case of doubt, consult your servicing dealer.



To reduce the risk of injury from thrown objects, never operate the unit without the proper deflector for the type of cutting attachment being used.



Inspect the work area: Stones, pieces of metal or other solid objects may be thrown more than 15 meters and **cause personal injury** or damage the cutting attachment and property (e.g. parked vehicles, windows).



Special care must be taken when working in difficult, over-grown terrain.

When cutting high scrub, under bushes and hedges: Keep cutting attachment at a minimum height of 15 cm to avoid harming small animals.

Always shut off the engine before leaving the unit unattended.

Check the cutting attachment at regular short intervals during operation or immediately if there is a noticeable change in cutting behavior:

- Turn off the engine. Hold the unit firmly and wait for the cutting attachment to come to a standstill.
- Check condition and tightness, look for cracks.
- Check sharpness.
- Replace damaged or dull cutting attachments immediately, even if they have only superficial cracks.

Clean grass and plant residue off the cutting attachment mounting at regular intervals – remove any build up of material from the cutting attachment and deflector.

To reduce the risk of injury, shut off the engine before changing the cutting attachment.



The gearbox becomes hot during operation. **To reduce the risk of burn injury**, do not touch the gearbox housing.

Do not continue using or attempt to repair damaged or cracked cutting attachments by welding, straightening or modifying the shape (out of balance).

This may cause parts of the cutting attachment to come off and hit the operator or bystanders at high speed and **result in serious or fatal injuries**.

When using mowing heads

Equip the deflector with the additional components specified in the instruction manual.

Use only the deflector with properly mounted line limiting blade to ensure the mowing lines are automatically trimmed to the approved length.

To reduce the risk of injury, always turn off the engine before adjusting the nylon line of manually adjustable mowing heads

Using the unit with over-long nylon cutting lines reduces the motor's operating speed. The clutch then slips continuously and this causes overheating and damage to important components (e.g. clutch, polymer housing components) – **and this can increase the risk of injury** from the cutting attachment rotating while the engine is idling.

Using metal cutting attachments

STIHL recommends the use of original STIHL metal cutting attachments. They are specifically designed to match your model and meet your performance requirements.

Metal cutting attachments rotate at very high speed. The forces that occur act on the machine, the attachment and the material being cut.

Sharpen metal cutting attachments regularly as specified.

Unevenly sharpened metal cutting attachments cause out-of-balance which can impose extremely high loads on the machine and increase the **risk of breakage**.

Dull or improperly sharpened cutting edges can put a higher load on the cutting attachment and increase the **risk of injury** from cracked or broken parts.

Inspect metal cutting attachments for cracks or warping after every contact with hard objects (e.g. stones, rocks, pieces of metal). **To reduce the risk of injury**, remove burrs and other visible build-ups of material (use a file) because they may become detached and be thrown at high speed during operation.

If a rotating metal cutting attachment makes contact with a rock or other solid object there is a risk of sparking which may cause easily combustible material to catch fire under certain circumstances. Dry plants and scrub are also easily combustible, especially in hot and dry weather conditions. If there is a risk of fire, do not use metal cutting attachments near combustible materials, dry plants or scrub. Always contact your local forest authority for information on a possible fire risk.

To reduce the above-mentioned risks when using a metal cutting attachment, never use a metal cutting attachment with a diameter larger than specified. It must not be too heavy. It must be manufactured from materials of adequate quality and its geometry must be correct (shape, thickness).

To reduce the risk of injury, a metal cutting attachment not manufactured by STIHL must not be heavier, thicker, have a different shape or a diameter larger than the largest metal cutting attachment approved by STIHL for this power tool model.

Vibrations

Prolonged use of the power tool may result in vibration-induced circulation problems in the hands (whitefinger disease).

No general recommendation can be given for the length of usage because it depends on several factors.

The period of usage is prolonged by:

- Hand protection (wearing warm gloves)
- Work breaks

The period of usage is shortened by:

- Any personal tendency to suffer from poor circulation (symptoms: frequently cold fingers, tingling sensations).
- Low outside temperatures.
- The force with which the handles are held (a tight grip restricts circulation).

Continual and regular users should monitor closely the condition of their hands and fingers. If any of the above symptoms appear (e.g. tingling sensation in fingers), seek medical advice.

Maintenance and Repairs

Service the machine regularly. Do not attempt any maintenance or repair work not described in the instruction manual. Have all other work performed by a servicing dealer.

STIHL recommends that you have servicing and repair work carried out exclusively by an authorized STIHL servicing dealer. STIHL dealers are regularly given the opportunity to attend training courses and are supplied with the necessary technical information.

Only use high-quality replacement parts in order to avoid the risk of accidents and damage to the machine. If you have any questions in this respect, consult a servicing dealer.

STIHL recommends the use of original STIHL replacement parts. They are specifically designed to match your model and meet your performance requirements.

To reduce the risk of injury from unintentional engine startup, **always shut off the engine and disconnect the spark plug boot** before performing any repairs, maintenance or cleaning work. – Exception: Carburetor and idle speed adjustments.

Do not turn the engine over on the starter with the spark plug boot or spark plug removed since there is otherwise a **risk of fire** from uncontained sparking.

To reduce the **risk of fire**, do not service or store your machine near open flames.

Check the fuel filler cap for leaks at regular intervals.

Use only a spark plug of the type approved by STIHL and make sure it is in good condition – see "Specifications".

Inspect the ignition lead (insulation in good condition, secure connection).

Check the condition of the muffler.

To reduce the **risk of fire and damage to hearing**, do not operate your machine if the muffler is damaged or missing. –

Do not touch a hot muffler since **burn injury** will result.

Vibration behavior is influenced by the condition of the AV elements – check the AV elements at regular intervals.

Maintenance, replacement, or repair of the emission control devices and systems may be performed by any nonroad engine repair establishment or individual. However, if you make a warranty claim for a component which has not been serviced or maintained properly or if nonapproved replacement parts were used, STIHL may deny coverage.

For any maintenance please refer to the maintenance chart and to the warranty statement near the end of the instruction manual.

Symbols on Deflectors

An **arrow** on the deflector shows the correct direction of rotation of the cutting attachments.

Some of the following symbols are applied to the outside of the deflector to indicate the approved combination of cutting attachment and deflector.



Deflector may be used with mowing heads.



Deflector may be used with grass cutting blades.



Deflector must not be used with mowing heads.



Do not use deflector with brush knives, shredder blades or circular saw blades.



Do not use deflector with brush knives, shredder blades, grass cutting blades or circular saw blades.

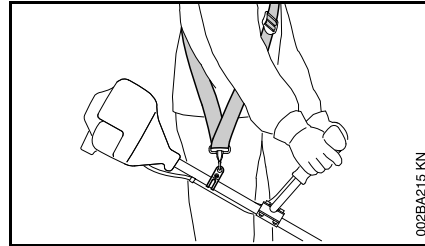


Deflector may be used with mowing heads. Not approved for use with brush knives, shredder blades or circular saw blades.



Deflector may be used with mowing heads – do not use metal cutting attachments.

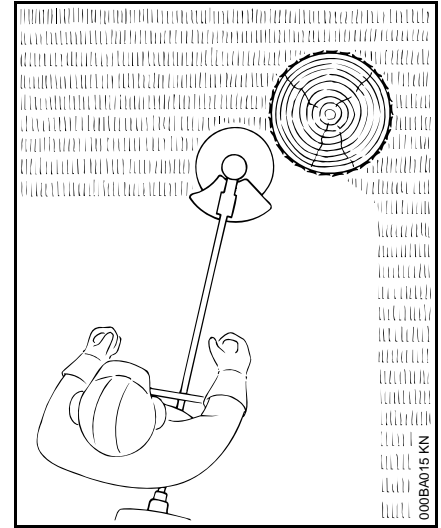
Shoulder strap



- Use a shoulder strap.
- With the engine running, attach the machine to the shoulder strap.

Grass cutting blades must always be used in combination with a shoulder strap.

Mowing Head with Nylon Line



Nylon line achieves a soft cut for edging and trimming around trees, fence posts, etc. – less risk of damaging tree bark.

The mowing head comes with an instruction leaflet. Refill the mowing head with nylon line as described in the instruction leaflet.

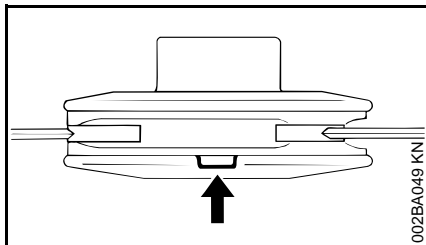
! WARNING

To reduce the risk of serious injury, never use wire or metal-reinforced line in place of the nylon line.

STIHL Polycut Mowing Head with Polymer Blades

For mowing unobstructed edges of meadows (without posts, fences, trees or similar obstacles).

Check the wear limit marks!



If one of the wear limit marks on the PolyCut mowing head is worn through (arrow): Do not continue using the mowing head. Install a new one. There is otherwise a **risk of injury** from thrown parts of the head.

It is important to follow the maintenance instructions for the PolyCut mowing head.

The PolyCut can also be equipped with mowing line in place of the polymer blades.

The mowing head comes with instruction leaflets. Equip the mowing head with polymers blades or nylon line as described in the instruction leaflets.

WARNING

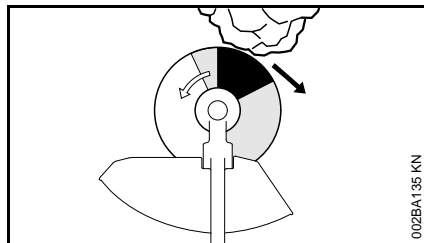
Never use wire in place of the nylon mowing line – **risk of injury**.

Risk of Kickout (Blade Thrust) with Metal Cutting Attachments

WARNING

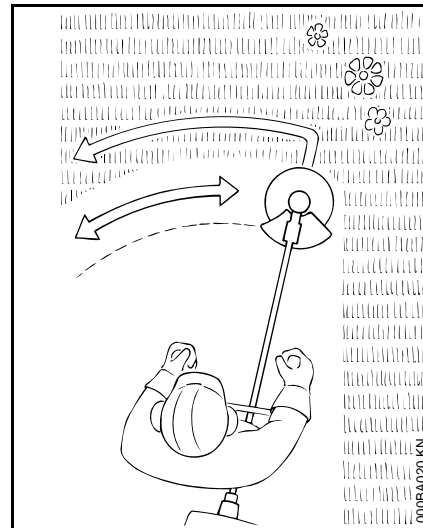


When using metal cutting attachments there is a risk of kickout when the rotating blade comes into contact with a solid object such as a tree trunk, branch, tree stump, rock or similar. The machine is thrown to the right or to the rear – opposite to the attachment's direction of rotation.



The **risk of kickout is greatest** when the **black area** of the rotating cutting attachment comes into contact with a solid object.

Grass Cutting Blade



Use for grass and weeds only – sweep the brushcutter in an arc like a scythe.

WARNING

Improper use may damage the grass cutting blade – **risk of injury** from thrown parts.

Resharpener the grass cutting blade according to instructions when it has dulled noticeably.

Approved Combinations of Cutting Attachment, Deflector, Handle and Harness

Cutting Attachment	Deflector	Handle	Shoulder Strap/Harness

0000-GX-XX-0407-A0

Approved Combinations

Select correct combination from the table according to the cutting attachment you intend to use.

WARNING

For safety reasons only the cutting attachments, deflectors, handles and harnesses shown in each row of the table may be used together. No other combinations are permitted – **risk of accidents.**

Cutting attachments

Mowing heads

- 1 STIHL SuperCut 20-2
- 2 STIHL AutoCut 25-2
- 3 STIHL AutoCut 36-2

English

- 4 STIHL DuroCut 20-2
- 5 STIHL PolyCut 20-3

Metal cutting attachments

- 6 Grass cutting blade 230-2
(230 mm dia.)
- 7 Grass cutting blade 260-2
(260 mm dia.)
- 8 Grass cutting blade 230-4
(230 mm dia.)
- 9 Grass cutting blade 230-8
(230 mm dia.)



WARNING

Non-metal grass cutting blades are not approved.

Deflectors

- 10 Deflector for mowing heads
- 11 Deflector **with**
- 12 skirt and blade, for mowing heads
- 13 Deflector **without** skirt and blade, for metal cutting attachments

Handle

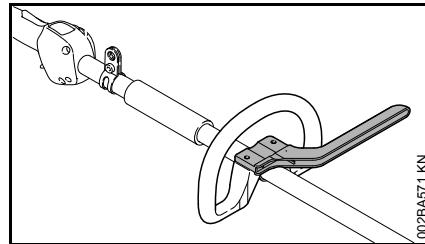
- 14 Loop handle
- 15 Loop handle **with**
- 16 barrier bar

Harness

- 17 Shoulder strap may be used
- 18 Shoulder strap must be used
- 19 Full harness may be used

Mounting the Loop Handle

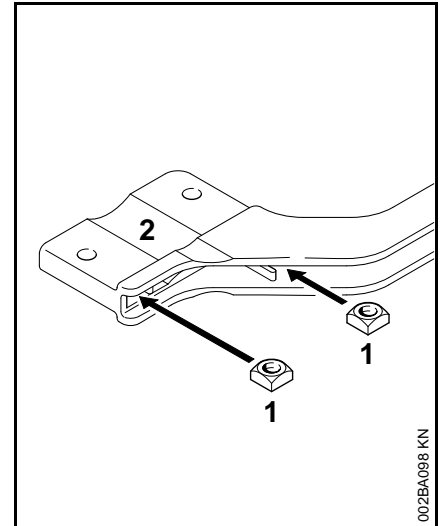
Using the Barrier Bar



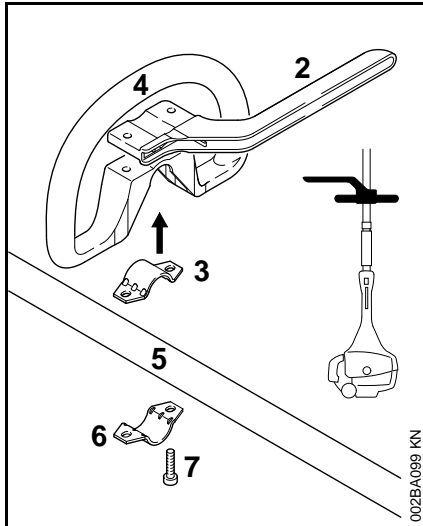
A barrier bar may have to be mounted to suit the tool you intend to use – see "Approved Combinations of Cutting Attachment, Deflector, Handle and Harness".

The barrier bar comes standard with the machine or is available as a special accessory.

Mounting Loop Handle with Barrier Bar

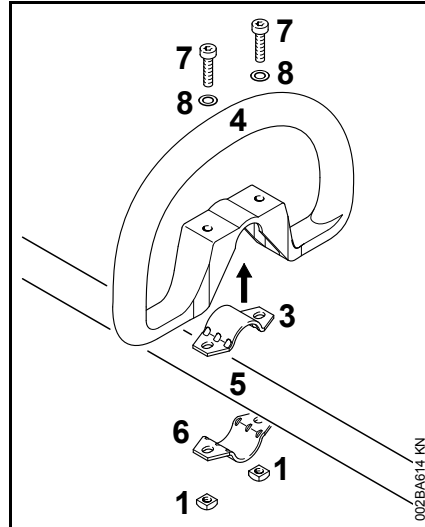


- Fit the square nuts (1) in the barrier bar (2); the holes must line up.



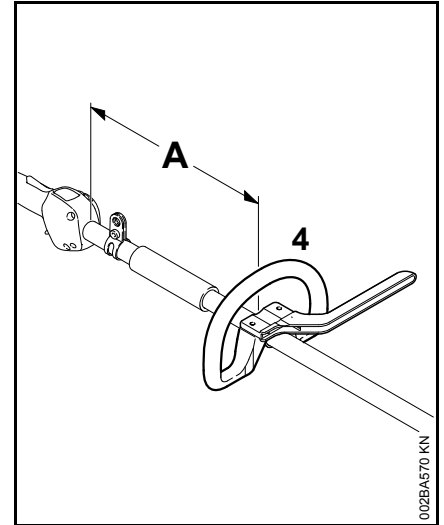
- Place the clamp (3) in the loop handle (4) and position them both against the drive tube (5).
- Position the clamp (6) against the drive tube.
- Place the barrier bar (2) in position as shown.
- Line up the holes.
- Insert the screws (7) in the holes and screw them into the barrier bar (2) as far as stop.
- Go to "Securing the Loop Handle".

Mounting the Loop Handle without Barrier Bar



- Place the clamp (3) in the loop handle (4) and position them both against the drive tube (5).
- Position the clamp (6) against the drive tube.
- Line up the holes.
- Fit washers (8) on the screws (7) and insert the screws in the holes. Fit the square nuts (1) and screw them down as far as stop.
- Go to "Securing the Loop Handle".

Adjusting and Securing the Loop Handle



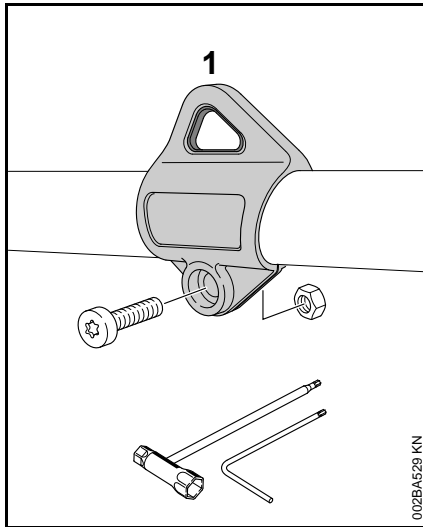
The loop handle can be adjusted to suit the height and reach of the operator and the application by changing distance (A).

Recommendation: distance (A): about 30 cm (12 in)

- Slide the handle to the required position.
- Line up the loop handle (4).
- Tighten down the screws until the loop handle can no longer be rotated on the drive tube. If no barrier bar is fitted – lock the nuts if necessary.

Fitting the Carrying Ring

Polymer Version

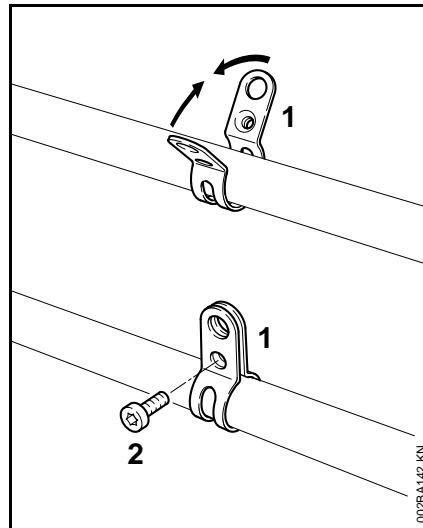


For position of carrying ring see "Main Parts".

- Push the carrying ring (1) over the drive tube.
- Insert the M5 nut in the hex recess in the carrying ring.
- Fit the M5x14 screw.
- Line up the carrying ring.
- Tighten down the screw firmly.

Metal Version

The carrying ring comes standard with the machine or is available as a special accessory.

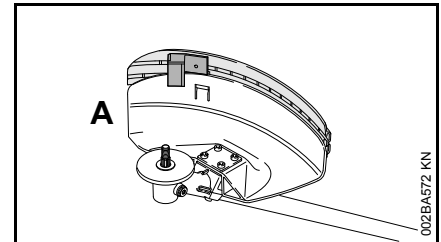


For position of carrying ring see "Main Parts".

- Place the clamp (1) against the drive tube **with the tapped hole on the left** (viewed from engine).
- Squeeze the two ends of the clamp together and hold in that position.
- Insert the M6x14 screw (2).
- Line up the carrying ring.
- Tighten down the screw firmly.

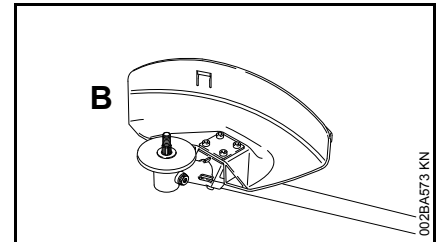
Mounting the Deflector

Use the Right Deflector



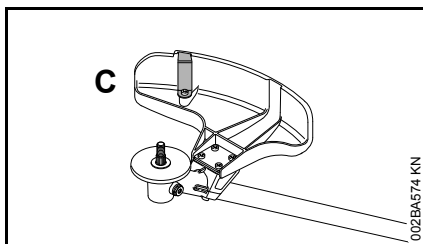
! WARNING

Deflector (A) with skirt and blade is only approved for mowing heads.



! WARNING

Deflector (B) without skirt and blade is only approved for grass cutting blades.

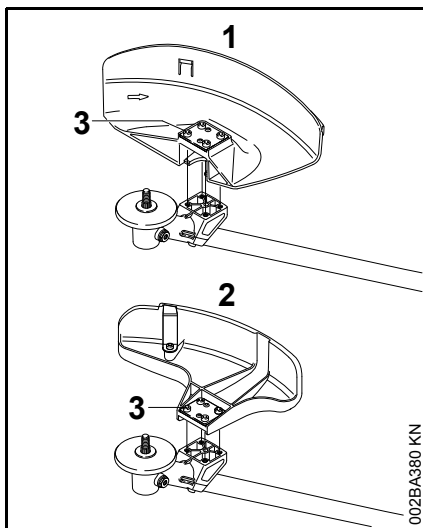


! WARNING

Deflector (C) with blade is only approved for mowing heads.

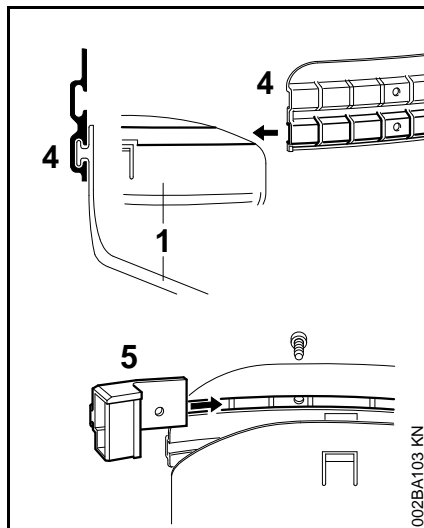
Mounting the Deflector

All deflectors are mounted to the gearbox in the same way.



- Position deflector (1) or (2) on the gearbox.
- Insert the screws (3) and tighten them down firmly.

Fitting the Skirt and Blade



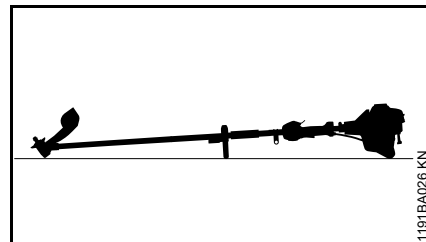
! WARNING

These parts must be fitted to the deflector (1) when you use a mowing head.

- Slide the lower guide slot of the skirt (4) onto the deflector (1) – it must snap into position.
- Push the blade (5) into the upper guide slot on the skirt and line it up with the first hole.
- Insert the screw and tighten it down firmly.

Mounting the Cutting Attachment

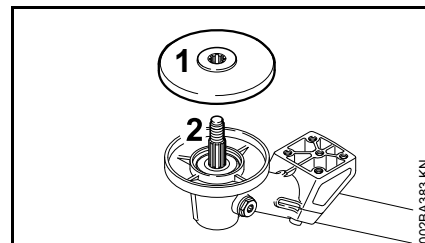
Placing power tool on the ground



- Shut off the engine.
- Lay your power tool on its back so that the cutting attachment mounting face is pointing up.

Fitting the Thrust Plate

The machine comes standard with the thrust plate.



- Slip the thrust plate (1) over the shaft (2).

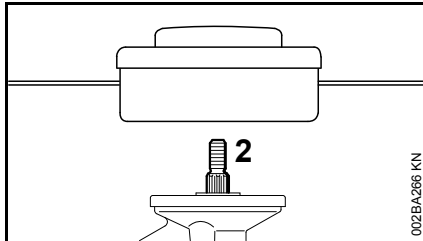
! NOTICE

The thrust plate on the gearbox is necessary for mounting cutting tools.

Mounting Hardware for Cutting Attachments

The mounting hardware supplied depends on the cutting attachment that comes as original equipment with the new machine.

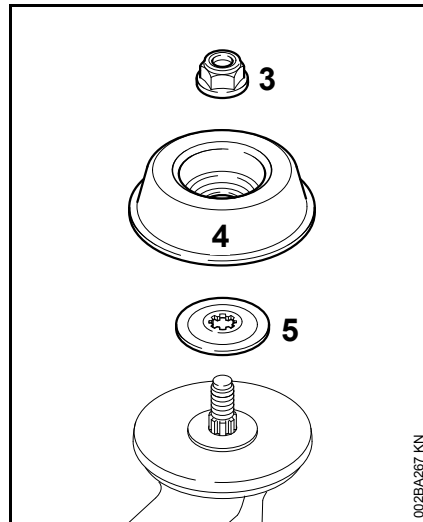
Machine supplied without mounting hardware



Only mowing heads may be used which mount directly to the shaft (2).

Machine supplied with mounting hardware

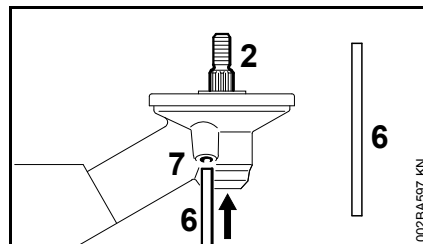
Mowing heads and metal cutting attachments may be mounted.



Depending on the cutting attachment, it may be necessary to use the nut (3), rider plate (4) and thrust washer (5).

These parts are included in a kit supplied with the machine and are also available as special accessories.

Blocking the Shaft



The output shaft (2) must be blocked with the stop pin (6) to mount or remove cutting attachments. The stop pin is included with the machine and is available as a special accessory.

- Insert the stop pin (6) in the bore (7) in the gearbox as far as stop, apply slight pressure.
- Rotate shaft, nut or cutting attachment until the stop pin slips into position and blocks the shaft.

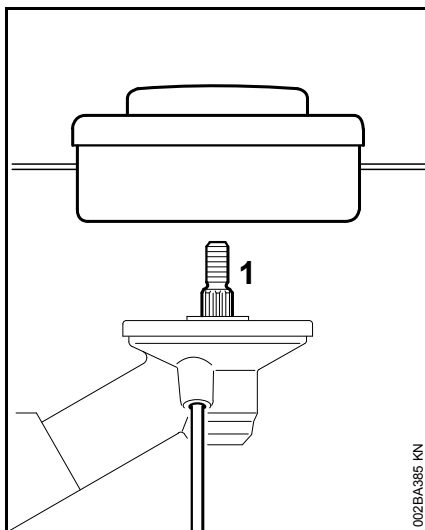
Mounting the Cutting Attachment

WARNING

Use a deflector that matches the cutting attachment – see "Mounting the Deflector".

Fitting Mowing Head with Screw Mounting

Keep the instruction leaflet for the mowing head in a safe place.



- Screw the mowing head counterclockwise on to the shaft (1) as far as stop.
- Block the shaft.
- Tighten down the mowing head firmly.

**NOTICE**

Remove the tool used to block the shaft.

Removing the Mowing Head

- Block the shaft.
- Unscrew the mowing head clockwise.

Mounting Metal Cutting Attachment

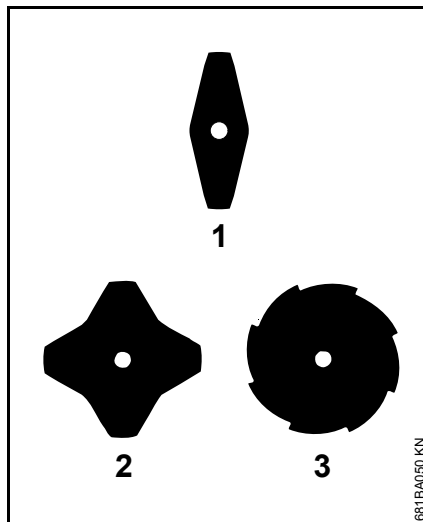
Keep the leaflet and packaging of the metal cutting tool in a safe place.

! WARNING

Wear protective gloves to reduce the risk of direct contact with the sharp cutting edges.

Mount only metal cutting attachments.

Check direction of rotation of cutting attachment

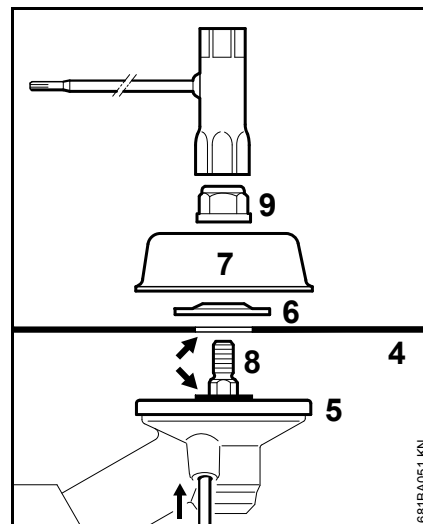


The cutting edges of the grass cutting blades (1) and (2) may point in either direction – these cutting attachments must be turned over regularly to reduce one-sided wear.

Cutting edges of grass cutting blade (3) must point clockwise.

! WARNING

Direction of rotation is indicated by an arrow on the inside of the deflector.



- Place the cutting attachment (4) on the thrust plate (5).

! WARNING

Collar (see arrow) must engage the cutting attachment's mounting hole.

Securing the cutting attachment

- Fit the thrust washer (6) – convex side must face up.
- Fit the rider plate (7).
- Block the shaft (8).
- Screw the mounting nut (9) on to the shaft counterclockwise and tighten it down firmly.

! WARNING

If the mounting nut has become too loose, fit a new one.



Remove the tool used to block the shaft.

Removing the Metal Cutting Attachment



Wear protective gloves to reduce the risk of direct contact with the sharp cutting edges.

- Block the shaft.
- Unscrew the mounting nut clockwise.
- Remove cutting attachment and its mounting hardware from the gearbox – but **do not** remove the thrust plate (5).

Fuel

This engine is certified to operate on unleaded gasoline and with the mix ratio 50:1.

Your engine requires a mixture of high-quality premium gasoline and high-quality two-stroke air-cooled engine oil.

Use premium branded unleaded gasoline with a minimum octane rating of 89 (R+M)/2.

Note: Models equipped with a **catalytic converter** require **unleaded** gasoline. A few tankfuls of leaded gasoline can reduce the efficiency of the catalytic converter by more than 50%.

Fuel with a lower octane rating may result in preignition (causing "pinging") which is accompanied by an increase in engine temperature. This, in turn, increases the risk of the piston seizure and damage to the engine.

The chemical composition of the fuel is also important. Some fuel additives not only detrimentally affect elastomers (carburetor diaphragms, oil seals, fuel lines etc.), but magnesium castings as well. This could cause running problems or even damage the engine. For this reason it is essential that you use only high-quality fuels!

Fuels with different percentages of ethanol are being offered. Ethanol can affect the running behaviour of the engine and increase the risk of lean seizure.

Gasoline with an ethanol content of more than 10% can cause running problems and major damage in engines with a manually adjustable carburetor and should not be used in such engines.

Engines equipped with M-Tronic can be run on gasoline with an ethanol content of up to 25% (E25).

Use only STIHL two-stroke engine oil or equivalent high-quality two-stroke air-cooled engine oils for mixing.

We recommend STIHL 50:1 two-stroke engine oil since it is specially formulated for use in STIHL engines.

Do not use BIA or TCW (two-stroke water cooled) mix oils!

Use only **STIHL 50:1 heavy-duty engine oil** or an equivalent quality two-stroke engine oil for the fuel mix in models equipped with a **catalytic converter**.

Take care when handling gasoline. Avoid direct contact with the skin and avoid inhaling fuel vapour.

The canister should be kept tightly closed in order to avoid any moisture getting into the mixture.

The fuel tank and the canister in which fuel mix is stored should be cleaned from time to time.

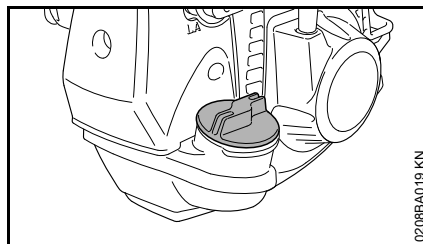
Fuel mix ratio

Only mix sufficient fuel for a few days work, not to exceed 30 days of storage. Store in approved safety fuel-canisters only. When mixing, pour oil into the canister first, and then add gasoline.

Examples

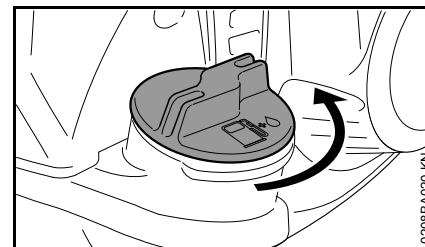
Gasoline	Oil (STIHL 50:1 or equivalent high-quality oils)
liters	liters (ml)
1	0.02 (20)
5	0.10 (100)
10	0.20 (200)
15	0.30 (300)
20	0.40 (400)
25	0.50 (500)

Dispose of empty mixing-oil canisters only at authorized disposal locations.

Fueling**Fuel filler cap****! WARNING**

When fueling on a slope, always position the machine with the filler cap facing uphill.

- Place the machine on level ground so that the filler cap is facing up.
- Before fueling, clean the filler cap and the area around it to ensure that no dirt falls into the tank.

Open the tank cap.

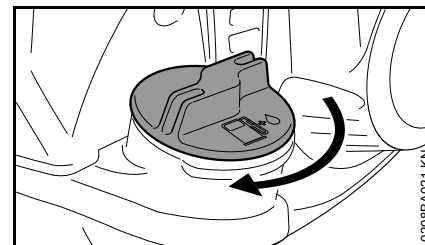
- Turn the cap counterclockwise until it can be removed from the tank opening.
- Remove the cap.

Filling up with fuel

Take care not to spill fuel while fueling and do not overfill the tank.

STIHL recommends you use the STIHL filler nozzle for fuel (special accessory).

- Fill up with fuel.

Close the tank cap.

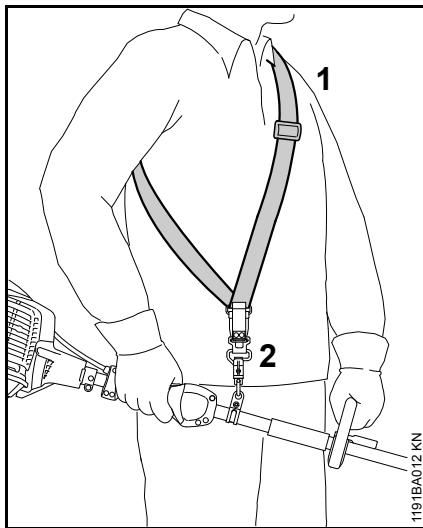
- Place the cap in the opening.
- Turn the cap clockwise as far as stop and tighten it down as firmly as possible by hand.

Fitting the Harness

The type and style of the harness depend on the market.

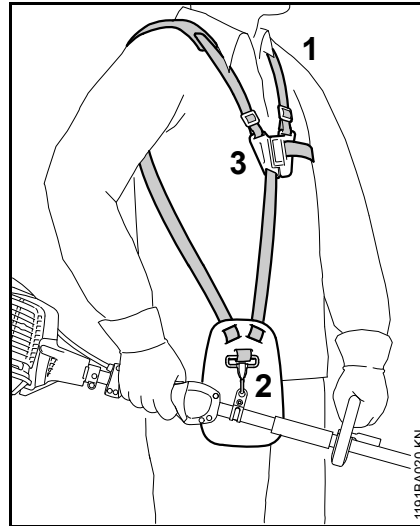
The use of the shoulder strap is described in the chapter on "Approved Combinations of Cutting Attachment, Deflector, Handle and Harness".

Shoulder strap



- Put on the shoulder strap (1).
- Adjust the length of the strap so that the carabiner (2) is about a hand's width below your right hip.
- Balance the machine.

Full Harness

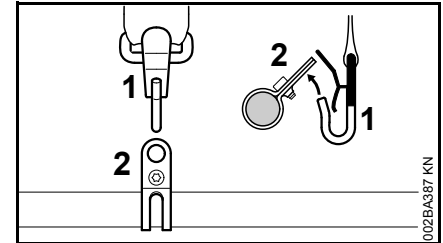


- Put on the full harness (1).
- Adjust the length of the strap so that the carabiner (2) is about a hand's width below your right hip.
- Balance the machine.

Balancing the Machine

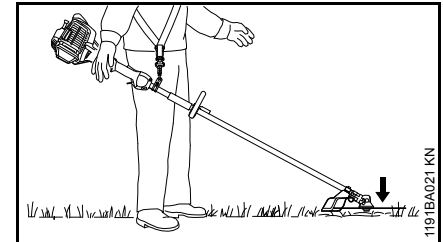
The type and style of the harness and carabiner (spring hook) depend on the market.

Attaching machine to shoulder strap



- Attach the carabiner (1) to the carrying ring (2) on the drive tube.

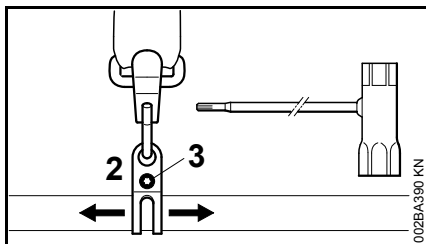
Floating position



- Mowing heads and grass cutting blades should just touch the ground.

The correct floating position is obtained as follows:

Balance the unit

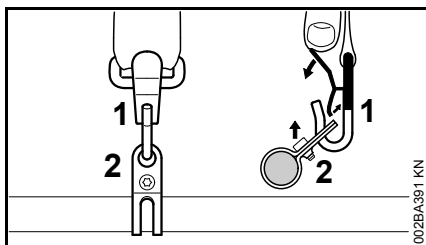


- Loosen the screw (3).
- Move the carrying ring (2) up or down the drive tube – tighten the screw moderately – let the unit go and wait until it is balanced – then check the floating position.

When the correct floating position has been reached:

- Tighten down the screw on the carrying ring firmly.

Detaching machine from shoulder strap



- Press down the bar on the carabiner (1) and pull the carrying ring (2) out of the carabiner.

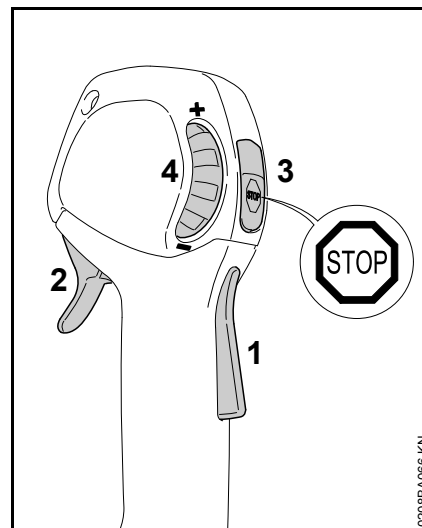
Throwing off the machine

WARNING

The machine must be quickly thrown off in the event of imminent danger. To throw off the machine, use the procedure described under "Detaching Machine from Shoulder Strap". Practice removing and putting down the power tool as you would in an emergency. To avoid damage, do not throw the power tool to the ground when practicing.

Starting / Stopping the Engine

Controls



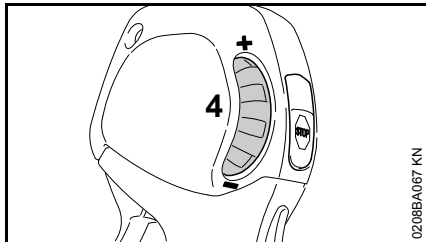
- 1 Throttle trigger lockout
- 2 Throttle trigger
- 3 Stop switch with **Run** and **Stop** positions. Press the stop switch (⊘) to switch off the ignition – see "Function of stop switch and ignition system".
- 4 Throttle set wheel – limits travel of throttle trigger – see "Function of throttle set wheel".

Function of stop switch and ignition system

The ignition is switched off and the engine stopped when the stop switch is pressed. The stop switch returns automatically to the **Run** position when it

is released: The ignition is switched on again after the engine stops – the engine is then ready to start.

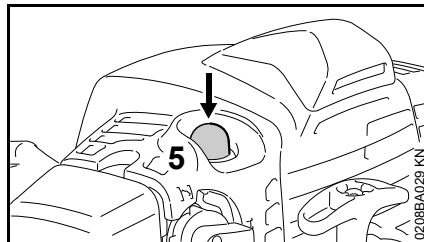
Function of throttle set wheel



The throttle set wheel (4) enables the travel of the throttle trigger to be preset anywhere between idle and full throttle.

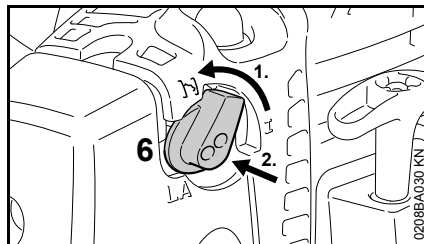
- Turn throttle set wheel (4) in direction of - to reduce throttle trigger travel and maximum engine speed.
- Turn throttle set wheel (4) in direction of + to increase throttle trigger travel and maximum engine speed.
- It is possible to override the preset stop and open the throttle wide by pulling the throttle trigger firmly – the preset stop remains unaffected. The original setting is restored when the throttle trigger is released.

Starting the Engine



- Press the manual fuel pump bulb (5) at least five times – even if the bulb is filled with fuel.

Cold engine (cold start)



- Turn choke knob (6) and then push it in at **I**

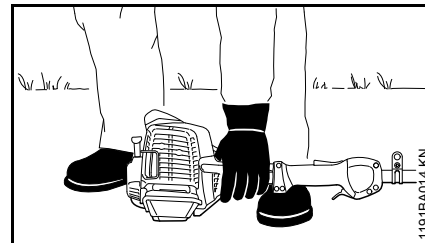
Also use this setting if the engine has been running but is still cold.

- Turn throttle set wheel in direction of + as far as stop.

Hot engine (hot start)

- Choke knob (6) remains in **I** position.

Cranking



- Place the unit on the ground: It must rest securely on the engine support and the deflector.
- If fitted: Remove the transport guard from the cutting attachment.

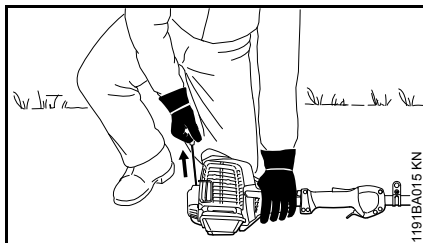
To reduce the risk of accidents, check that the cutting attachment is not touching the ground of any other obstacles.

- Make sure you have a firm footing, either standing, stooping or kneeling.
- Hold the unit **firmly** on the ground with your left hand and press down – do not touch the throttle trigger, lockout lever or stop switch.



NOTICE

Do not stand or kneel on the drive tube.



- Hold the starter grip with your right hand.
- Pull the starter grip slowly until you feel it engage and then give it a brisk strong pull.

NOTICE

Do not pull out the starter rope all the way – **it might otherwise break.**

- Do not let the starter grip snap back. Guide it slowly back into the housing so that the starter rope can rewind properly.
- Continue cranking until the engine runs.

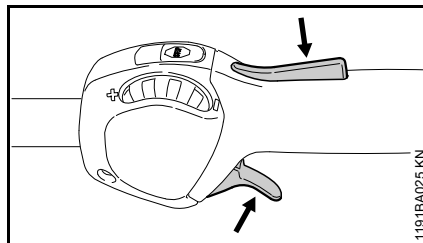
As soon as the engine runs

At temperatures below +10 °C (+50 °F)

Warm up the engine for at least 10 seconds in position **I**.

At temperatures above +10 °C (+50 °F)

Warm up the engine for at least 5 seconds in position **I**.



- Depress throttle trigger lockout and pull the throttle trigger – the choke knob moves to the Run **I** position.

Warm up a **cold engine** at varying speeds.

WARNING

Make sure the carburetor is correctly adjusted. The cutting attachment must not rotate when the engine is idling.

Your machine is now ready for operation.

Stopping the Engine

- Depress the momentary contact stop switch – the engine stops – release the stop switch – it springs back to the run position.

Other Hints on Starting

Engine stalls in cold start position **I**.

- Depress throttle trigger lockout and pull the throttle trigger – the choke knob moves to the Run **I** position.
- Continue cranking in position **I** until the engine runs.

Running engine stalls in cold start position **I** or under acceleration.

- Continue cranking in position **I** until the engine runs.

If the engine does not start

- Check that all settings are correct.
- Check that there is fuel in the tank and refuel if necessary.
- Check that the spark plug boot is properly connected.
- Repeat the starting procedure.

Engine is flooded

- Move the choke lever to **I** and continue cranking until the engine runs.

Fuel tank run until completely dry

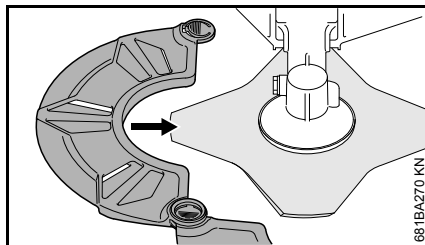
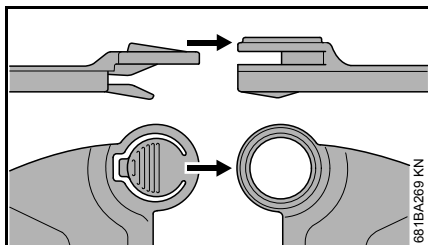
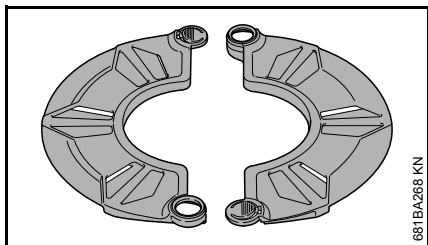
- After refueling, press the manual fuel pump bulb at least five times – even if the bulb is filled with fuel.
- Set the choke knob according to engine temperature.
- Now start the engine.

Transporting the Unit

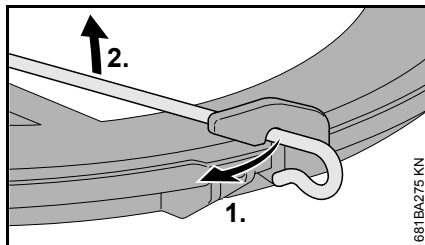
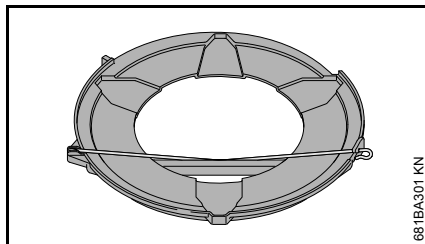
Using Transport Guard

The type of transport guard depends on the metal cutting attachment supplied with the machine. Transport guards are available as special accessories.

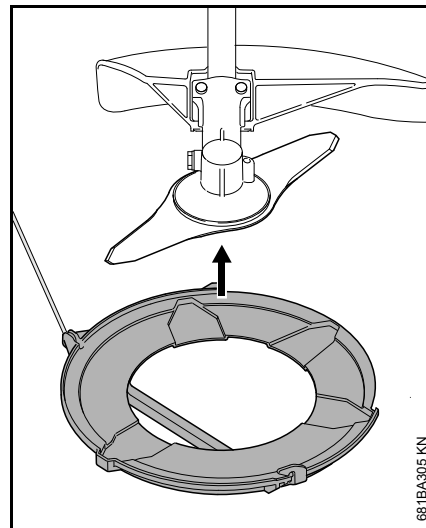
230 mm grass cutting blades



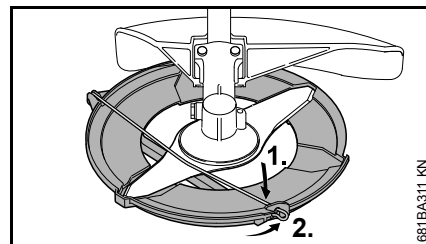
Grass Cutting Blades up to 260 mm



- Disconnect wire rod from the transport guard.
- Swing wire rod outwards.



- Fit the transport guard on the cutting attachment from below.



- Hook wire rod to the transport guard.
- Swing wire rod into position.

Operating Instructions

During break-in period

A factory-new machine should not be run at high revs (full throttle off load) for the first three tank fillings. This avoids unnecessary high loads during the break-in period. As all moving parts have to bed in during the break-in period, the frictional resistances in the engine are greater during this period. The engine develops its maximum power after about 5 to 15 tank fillings.

During Operation

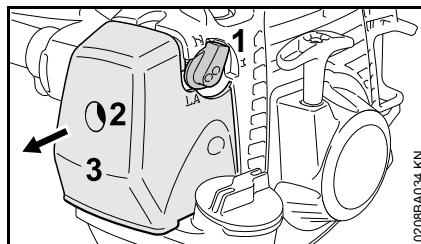
After a long period of full throttle operation, allow the engine to run for a short while at idle speed so that engine heat can be dissipated by the flow of cooling air. This protects engine-mounted components (ignition, carburetor) from thermal overload.

After Finishing Work

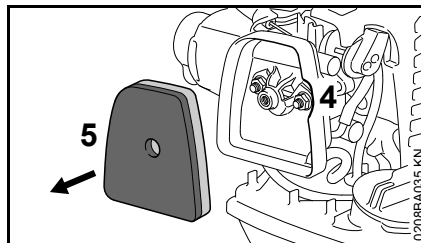
Storing for a short period: Wait for the engine to cool down. Empty the fuel tank and keep the machine in a dry place, well away from sources of ignition, until you need it again. For longer out-of-service periods – see "Storing the Machine".

Cleaning the Air Filter

If there is a noticeable loss of engine power



- Set knob for warm start (1) to \overline{I}
- Turn screw (2) in filter cover (3) counterclockwise until the cover is loose
- Remove filter cover (3)
- Clean away loose dirt from around the filter



- Grip into the recess (4) in the filter housing and remove the felt filter (5)
- Replace felt filter (5) – as a temporary measure you can knock it out on the palm of you hand or blow it out with compressed air – do not wash



NOTICE

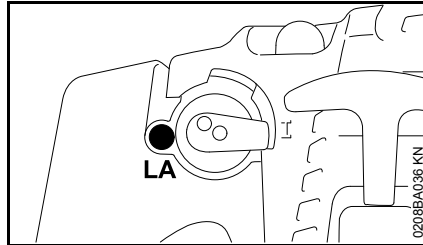
Replace any damaged parts!

- Insert felt filter (5) form-fittingly into the filter housing
- Set knob for warm start (1) to \overline{I}
- Fit filter cover (3) – make sure not to tilt the screw (2) – insert screw and tighten

Engine Management

Exhaust emissions are controlled by the design of the fundamental engine parameters and components (e.g. carburation, ignition, timing and valve or port timing) without the addition of any major hardware.

Adjusting the Carburetor



The carburetor of the machine has been adjusted for optimum performance and fuel efficiency in all operating states at the factory.

Setting the idle speed

Engine stops when idling

- Turn the idle speed adjusting screw (LA) slowly clockwise until the engine runs smoothly.

Cutting attachment turns when idling

- Turn the idle speed adjusting screw (LA) slowly counterclockwise until the cutting attachment stops turning

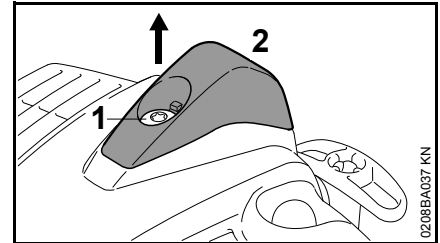
WARNING

If the cutting attachment continues to keep rotating in idle even after adjustment, have the machine checked by a servicing dealer.

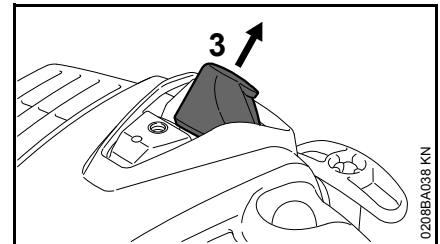
Spark Plug

- If the engine is down on power, difficult to start or runs poorly at idle speed, first check the spark plug.
- Fit a new spark plug after about 100 operating hours – or sooner if the electrodes are badly eroded. Install only suppressed spark plugs of the type approved by STIHL – see "Specifications".

Removing the spark plug

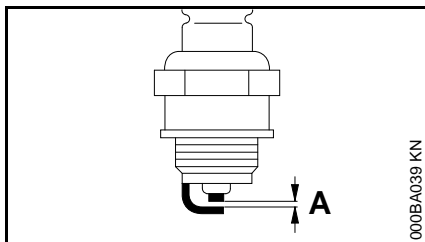


- Turn screw (1) in cap (2) until cap can be removed
- Lay down cap



- Unplug spark plug boot (3)
- Unscrew spark plug

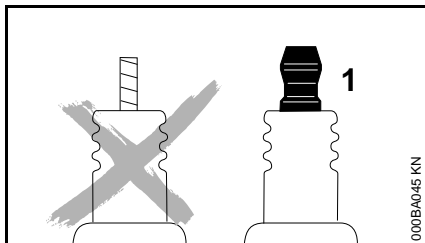
Checking the spark plug



- Clean dirty spark plug.
- Check electrode gap (A) and readjust if necessary – see "Specifications".
- Rectify the problems which have caused fouling of the spark plug.

Possible causes are:

- Too much oil in fuel mix.
- Dirty air filter.
- Unfavorable running conditions.

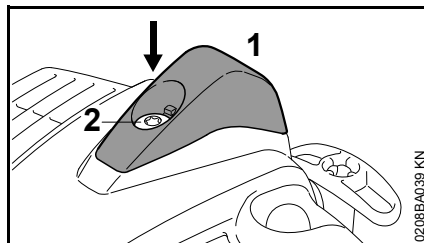


WARNING

If the spark plug comes with a detachable adapter nut (1), screw the adapter onto the thread and tighten it down **firmly** to reduce the **risk of arcing and fire**.

Installing the Spark Plug

- Fit the spark plug and tighten it down firmly.
- Press the boot **firmly** onto the spark plug.



- Fit the cap (1), insert the screw (2) and tighten it down firmly.

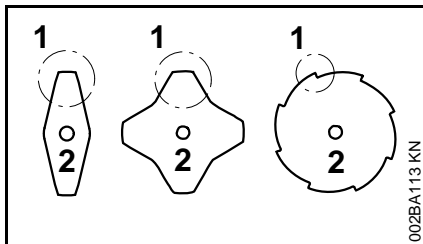
Storing the Machine

For periods of 3 months or longer

- Drain and clean the fuel tank in a well ventilated area.
- Dispose of fuel properly in accordance with local environmental requirements.
- Run the engine until the carburetor is dry – this helps prevent the carburetor diaphragms sticking together.
- Remove, clean and inspect the cutting attachment. Coat metal cutting attachments with corrosion inhibitor.
- Thoroughly clean the machine.
- Clean the air filter.
- Store the machine in a dry and secure location – out of the reach of children and other unauthorized persons.

Sharpening Metal Cutting Blades

- Use a sharpening file (special accessory) to sharpen dull cutting attachments. In case of more serious wear or nicks: Resharpener with a grinder or have the work done by a dealer – STIHL recommends a STIHL servicing dealer.
- Sharpen frequently, take away as little metal as possible – two or three strokes of the file are usually enough.



- Resharpener the teeth (1) uniformly – do not alter the contour of the parent blade (2) in any way.

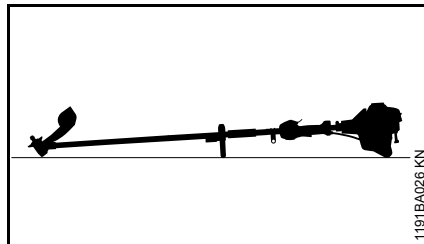
See cutting attachment packaging for additional sharpening instructions. Keep the packaging for future reference.

Balancing

- After resharpening about 5 times, check the cutting attachment for out-of-balance on a STIHL balancer (special accessory) or have it checked by a dealer and re-balanced as necessary – STIHL recommends a STIHL servicing dealer.

Maintaining the Mowing Head

Placing power tool on the ground



- Shut off the engine.
- Lay your power tool on its back so that the cutting attachment mounting face is pointing up.

Replacing Nylon Line

Always check the mowing head for signs of wear before replacing the nylon line.

! WARNING

If there are signs of serious wear, replace the complete mowing head.

The nylon mowing line is referred to as "nylon line" or "line" in the following.

The mowing head is supplied with illustrated instructions for replacing the nylon line. Keep the instructions for the mowing head in a safe place.

- If necessary, remove the mowing head.

Adjusting Nylon Line

STIHL SuperCut

Fresh line is advanced automatically if the remaining line is **at least 6 cm (2 1/2 in)** long. The blade on the deflector trims overlong lines to the correct length.

STIHL AutoCut

- With the engine running, hold the rotating mowing head above the grass surface.
- Tap it on the ground once – fresh line is advanced and the blade on the deflector trims it to the right length.

Fresh line is advanced every time the mowing head is tapped on the ground. For this reason observe the mowing head's cutting performance during operation. If the mowing head is tapped on the ground too often, the line limiter blade will unnecessarily cut off unused lengths of nylon line.

Line feed operates only if both lines are still at least **2.5 cm (1 in)** long.

Replacing Nylon Line

STIHL PolyCut

Precut lengths of nylon line can be fitted to the PolyCut in place of the cutting blades.

STIHL DuroCut, STIHL PolyCut

! WARNING

To reduce the risk of injury, always shut off the engine before refilling the mowing head.

- Fit nylon line in the mowing head as described in the instructions supplied.

Replacing Cutting Blades

STIHL PolyCut

Always check the mowing head for signs of wear before installing new cutting blades.

! WARNING

If there are signs of serious wear, replace the complete mowing head.

The thermoplastic cutting blades are referred to as "blades" in the following.

The mowing head is supplied with illustrated instructions for replacing the blades. Keep the instructions for the mowing head in a safe place.

! WARNING

To reduce the risk of injury, always shut off the engine before installing the blades.

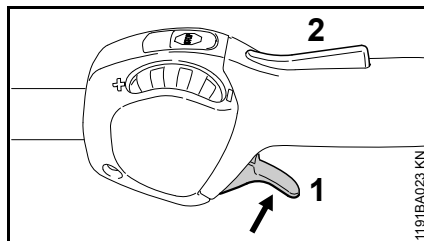
- Remove the mowing head.
- Replace blades as shown in the illustrated instructions.
- Mount the mowing head on the machine.

Inspection and Maintenance by User

Throttle Cable

Checking adjustment of throttle cable

Error: Engine speed increases when only the throttle trigger is depressed.



- Start the engine.
- Depress the throttle trigger (1) – **do not** press down the throttle trigger lockout (2).

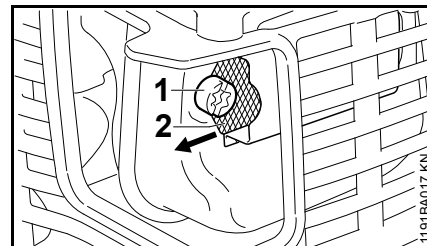
If the engine speed increases or if the cutting attachment rotates, the throttle cable has to be adjusted.

- Shut off the engine.
- Have throttle cable adjusted by your dealer. STIHL recommends an authorized STIHL servicing dealer.

Spark Arresting Screen in Muffler

If the engine is down on power, check the spark arresting screen in the muffler.

- Wait for the muffler to cool down.



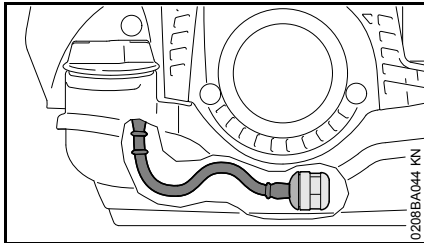
- Take out the screw (1).
- Lift the spark arresting screen (2) and pull it out.
- Clean the spark arresting screen. If the screen is damaged or heavily carbonized, fit a new one.
- Refit the spark arresting screen.
- Insert the screw and tighten it down firmly.

Inspections and Maintenance by Dealer

Maintenance Work

STIHL recommends that you have servicing and repair work carried out exclusively by an authorized STIHL servicing dealer.

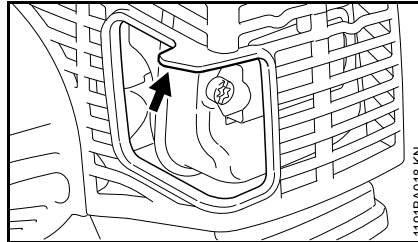
Fuel Pickup Body in Tank



- Check the pickup body in the fuel tank every year and have it replaced if necessary.

The pickup body should be positioned in the area of the tank shown in the illustration.

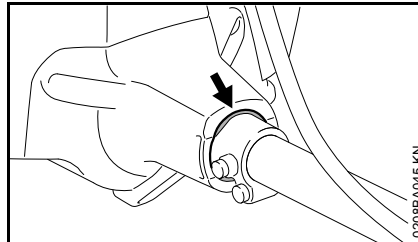
Spacer



The spacer (arrow) is integrally molded to the shroud.

- Check spacer (1) for damage.
- If spacer (1) is damaged, have shroud replaced immediately.

Antivibration Element



A vibration-absorbing rubber element is installed between the powerhead and the drive tube. Have it checked if there are signs of wear or a noticeable increase in vibration levels.

Maintenance and Care

The following intervals apply to normal operating conditions only. If your daily working time is longer or operating conditions are difficult (very dusty work area, etc.), shorten the specified intervals accordingly.		before starting work	after finishing work or daily	after each refueling stop	weekly	monthly	every 12 months	if problem	if damaged	as required
Complete machine	Visual inspection (condition, leaks)	X		X						
	Clean		X							
	Replace any damaged parts	X								
Control handle	Check operation	X		X						
Air filter	Visual inspection					X		X		
	Clean filter housing									X
	Replace felt filter ¹⁾								X	X
Fuel tank	Clean					X		X		X
Manual fuel pump (if fitted)	Check	X								
	Have repaired by servicing dealer ²⁾								X	
Pickup body in fuel tank	Have checked by servicing dealer ²⁾							X		
	Have replaced by servicing dealer ²⁾						X		X	X
Carburetor	Check idle adjustment – the cutting attachment must not rotate	X		X						
	Adjust idle speed									X
Spark plug	Adjust electrode gap							X		
	Replace after every 100 operating hours									
Cooling inlets	Visual inspection		X							
	Clean									X
Cylinder fins	Have cleaned by servicing dealer ²⁾						X			
Spark arresting screen in muffler	Check		X					X		
	Clean or replace								X	X
Spacer molded to shroud	Check ³⁾	X								
	Have shroud replaced by servicing dealer ²⁾	X						X		

The following intervals apply to normal operating conditions only. If your daily working time is longer or operating conditions are difficult (very dusty work area, etc.), shorten the specified intervals accordingly.		before starting work	after finishing work or daily	after each refueling stop	weekly	monthly	every 12 months	if problem	if damaged	as required
Exhaust port	Have decoked by servicing dealer ²⁾ after first 139 hours of operation, then every 150 hours of operation									X
All accessible screws and nuts (not adjusting screws)	Retighten									X
Anti-vibration elements	Visual inspection ⁴⁾	X						X		X
	by servicing dealer ²⁾								X	
Cutting attachment	Visual inspection	X		X						
	Replace								X	
	Check tightness	X		X						
Metal cutting attachment	Sharpen	X								X
Safety labels	Replace								X	

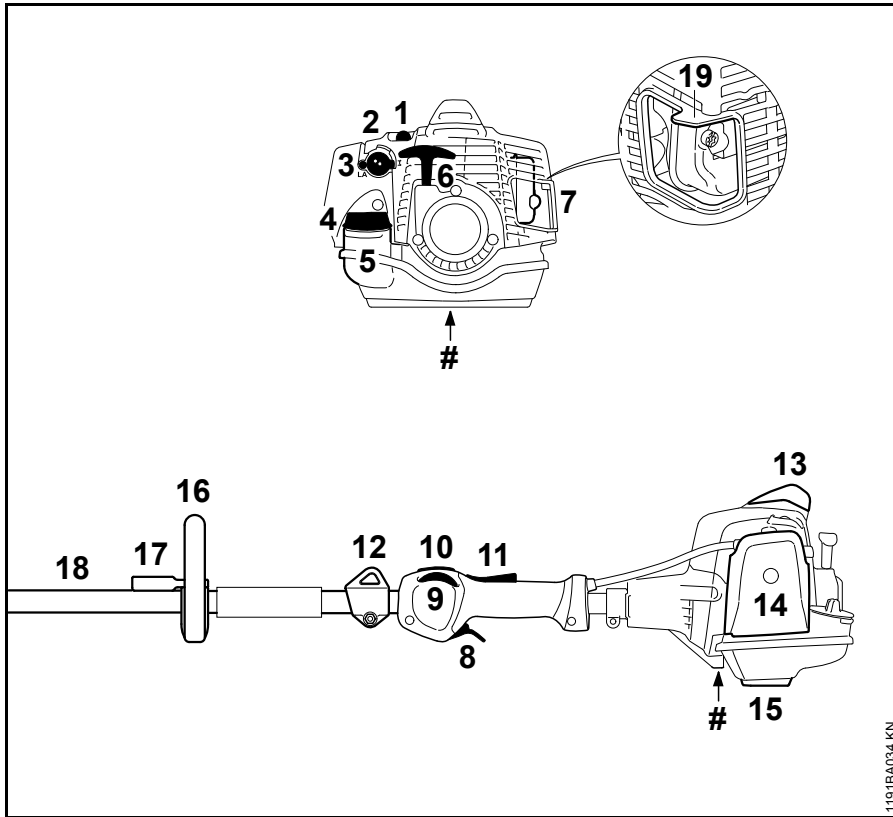
1) Only if there is a noticeable loss of engine power

2) STIHL recommends an authorized STIHL servicing dealer.

3) see chapter "Inspections and Maintenance by Dealer", section "Spacer"

4) see chapter "Inspections and Maintenance by Dealer", section "Antivibration Elements"

Main Parts



- 1 Manual Fuel Pump
- 2 Choke Knob
- 3 Carburetor Adjusting Screws
- 4 Fuel Filler Cap
- 5 Fuel Tank
- 6 Starter Grip
- 7 Muffler with Spark Arresting Screen
- 8 Throttle Trigger
- 9 Throttle Set Wheel
- 10 Momentary Stop Switch
- 11 Throttle Trigger Lockout
- 12 Carrying Ring
- 13 Cap with Spark Plug Boot
- 14 Air Filter Cover
- 15 Machine Support
- 16 Loop Handle
- 17 Barrier Bar
- 18 Drive Tube
- 19 Spacer at the Shroud
- # Serial Number

1191BA034 KN

Definitions

1. Manual Fuel Pump

Provides additional fuel feed for a cold start.

2. Choke Lever

Eases engine starting by enriching mixture.

3. Carburetor Adjusting Screws

For tuning the carburetor.

4. Fuel Filler Cap

For closing the fuel tank.

5. Fuel Tank

For fuel and oil mixture.

6. Starter Grip

The grip of the pull starter, for starting the engine.

7. Muffler with Spark Arresting Screen

Muffler reduces exhaust noises and diverts exhaust gases away from operator. Spark arresting screen is designed to reduce the risk of fire.

8. Throttle Trigger

Controls the speed of the engine.

9. Throttle Set Wheel

Limits the maximum position of the throttle trigger.

10. Momentary Stop Switch

Switches the engine's ignition off and stops the engine.

11. Throttle Trigger Lockout

Must be depressed before the throttle trigger can be activated.

12. Carrying Ring

Connects the trimmer/brushcutter to the harness.

13. Cap with Spark Plug Boot

Connects the spark plug with the ignition wire.

14. Air Filter Cover

Covers and protects the air filter element.

15. Machine Support

For resting machine on the ground.

16. Loop Handle

For easy control of machine during cutting work.

17. Barrier Bar

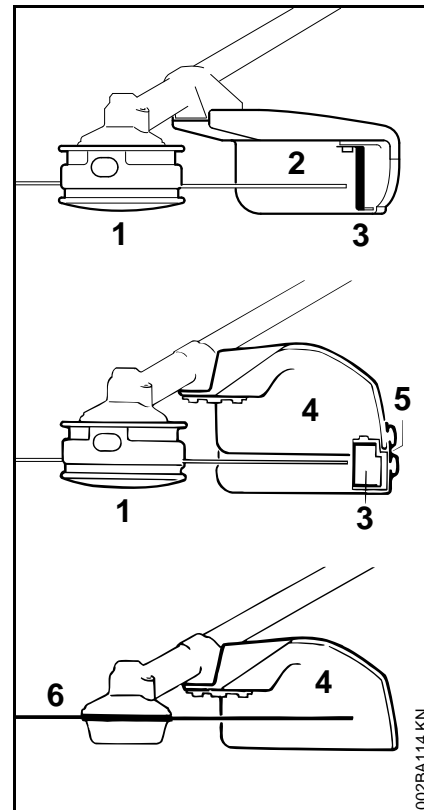
Helps keep user's feet and legs clear of the cutting attachment.

18. Drive Tube

Encloses and protects the drive shaft between the engine and gearbox.

19. Spacer at the Shroud

Designed to reduce the risk of burns and fire.



- 1 Mowing Head
- 2 Deflector for Mowing Heads
- 3 Line Limiting Blade
- 4 Deflector with Skirt for all Mowing Attachments
- 5 Skirt
- 6 Metal Mowing Tool

Definitions

1 Mowing Head

The cutting attachment, i. e. mowing head, for different purposes.

2 Deflector for Mowing Heads

The deflector is designed to reduce the risk of injury from foreign objects flung backwards toward the operator by the cutting attachment and from contact with the cutting attachment.

3 Line Limiting blade

Metal blade at the deflector in order to keep the line of the mowing head at the proper length.

4 Deflector with Skirt for all Mowing Attachments

The deflector is designed to reduce the risk of injury from foreign objects flung backwards toward the operator by the cutting attachment and from contact with the cutting attachment. Is not designed to contain fragmented metal blades.

5 Skirt

The skirt at the bottom of the deflector must be utilized as described in the chapter "Mounting the Deflector".

6 Metal Mowing Tool

The cutting attachment, i. e. blade, made from metal for different purposes.

Specifications

EPA / CEPA

The Emission Compliance Period referred to on the Emissions Compliance Label indicates the number of operating hours for which the engine has been shown to meet Federal emission requirements.

Category

A = 300 hours

B = 125 hours

C = 50 hours

Engine

Single cylinder two-stroke engine

Displacement: 24.1 cc

Bore: 35 mm

Stroke: 25 mm

Engine power to ISO 8893: 0.9 kW (1.2 bhp) at 8,500 rpm

Idle speed: 2,800 rpm

Cut-off speed (rated): 9,800 rpm

Max. output shaft speed (cutting attachment): 7,290 rpm

Max. torque / engine speed: 1.3 Nm at 5,000 rpm

Ignition System

Electronic magneto ignition

Spark plug (resistor type): NGK CMR 6 H
Electrode gap: 0.5 mm

This spark ignition system meets all requirements of the Canadian Interference-Causing Equipment Regulations ICES-002.

Fuel System

All position rotary valve carburetor with integral fuel pump

Fuel tank capacity: 540 cc (0.54 l)

Weight

Dry, without cutting attachment and deflector

FS 94 R: 4.6 kg

Overall length

without cutting attachment 1780 mm

Features

R Loop handle

Z Fireproof equipment


Maintenance and Repairs

Users of this machine may only carry out the maintenance and service work described in this user manual. All other repairs must be carried out by a servicing dealer.

STIHL recommends that you have servicing and repair work carried out exclusively by an authorized STIHL servicing dealer. STIHL dealers are regularly given the opportunity to attend training courses and are supplied with the necessary technical information.

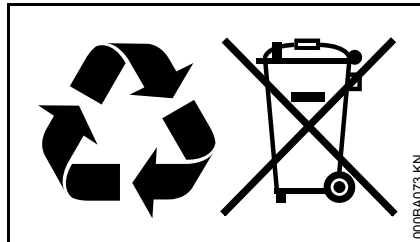
When repairing the machine, only use replacement parts which have been approved by STIHL for this power tool or are technically identical. Only use high-quality replacement parts in order to avoid the risk of accidents and damage to the machine.

STIHL recommends the use of original STIHL replacement parts.

Original STIHL parts can be identified by the STIHL part number, the **STIHL** logo and the STIHL parts symbol  (the symbol may appear alone on small parts).

Disposal

Observe all country-specific waste disposal rules and regulations.



STIHL products must not be thrown in the garbage can. Take the product, accessories and packaging to an approved disposal site for environment-friendly recycling.

Contact your STIHL servicing dealer for the latest information on waste disposal.

STIHL Limited Emission Control Warranty Statement

This statement is given voluntarily, based on the MOU (Memorandum of Understanding) as agreed in April 1999 between Environmental Canada and STIHL Limited

Your Warranty Rights and Obligations

STIHL Limited is pleased to explain the Emission Control System Warranty on your equipment type engine. In Canada new 1999 and later model year small off-road equipment engines must be designed, built and equipped, at the time of sale, to meet the U.S. EPA regulations for small non road engines. The equipment engine must be free from defects in materials and workmanship which cause it to fail to conform with U.S. EPA standards for the first two years of engine use from the date of sale to the ultimate purchaser.

STIHL Limited must warrant the emission control system on your small off-road engine for the period of time listed below provided there has been no abuse, neglect or improper maintenance of your small off-road equipment engine.

Your emissions control system may include parts such as the carburetor or fuel-injection system, the ignition system, and catalytic converter. Also included may be hoses, belts, connectors or other emission-related assemblies.

Where a warrantable condition exists, STIHL Limited will repair your small off-road equipment engine at no cost to you,

including diagnosis (if the diagnostic work is performed at an authorized dealer), parts, and labor.

Manufacturer's Warranty Coverage

In Canada 1999 and later model year small off-road equipment engines are warranted for two years. If any emission-related part on your engine is defective, the part will be repaired or replaced by STIHL Limited free of charge.

Owner's Warranty Responsibilities:

As the small off-road equipment engine owner, you are responsible for the performance of the required maintenance listed in your instruction manual. STIHL Limited recommends that you retain all receipts covering maintenance on your small off-road equipment engine, but STIHL Limited cannot deny warranty solely for the lack of receipts or for your failure to ensure the performance of all scheduled maintenance.

Any replacement part or service that is equivalent in performance and durability may be used in non-warranty maintenance or repairs, and shall not reduce the warranty obligations of the engine manufacturer.

As the small off-road equipment engine owner, you should be aware, however, that STIHL Limited may deny you warranty coverage if your small off-road equipment engine or a part has failed due to abuse, neglect, improper maintenance or unapproved modifications.

You are responsible for presenting your small off-road equipment engine to a STIHL service center as soon as a

problem exists. The warranty repairs will be completed in a reasonable amount of time, not to exceed 30 days.

If you have any questions regarding your warranty rights and responsibilities, please contact a STIHL customer service representative at www.stihl.ca

or you can write to:

STIHL Ltd.,
1515 Sise Road
Box 5666
CA-LONDON ONTARIO; N6A 4L6

Coverage by STIHL Limited

STIHL Limited warrants to the ultimate purchaser and each subsequent purchaser that your small off-road equipment engine will be designed, built and equipped, at the time of sale, to meet all applicable regulations. STIHL Limited also warrants to the initial purchaser and each subsequent purchaser that your engine is free from defects in materials and workmanship which cause the engine to fail to conform with applicable regulations for a period of two years.

Warranty Period

The warranty period will begin on the date the utility equipment engine is purchased by the initial purchaser and you have signed and sent back the warranty card to STIHL Ltd. If any emission-related part on your engine is defective, the part will be replaced by STIHL Limited at no cost to the owner. Any warranted part which is not scheduled for replacement as required maintenance, or which is scheduled only for regular inspection to the effect of "repair or replace as necessary" will be warranted for the warranty period. Any

warranted part which is scheduled for replacement as required maintenance will be warranted for the period of time up to the first scheduled replacement point for that part.

Diagnosis

You, as the owner, shall not be charged for diagnostic labor which leads to the determination that a warranted part is defective. However, if you claim warranty for a component and the machine is tested as non-defective, STIHL Limited will charge you for the cost of the emission test. Mechanical diagnostic work will be performed at an authorized STIHL servicing dealer. Emission test may be performed either at

STIHL Incorporated,
536 Viking Drive, P.O. Box 2015,
Virginia Beach, VA 23452

or at any independent test laboratory.

Warranty Work

STIHL Limited shall remedy warranty defects at any authorized STIHL servicing dealer or warranty station. Any such work shall be free of charge to the owner if it is determined that a warranted part is defective. Any manufacturer-approved or equivalent replacement part may be used for any warranty maintenance or repairs on emission-related parts and must be provided without charge to the owner. STIHL Limited is liable for damages to other engine components caused by the failure of a warranted part still under warranty.

The following list specifically defines the emission-related warranted parts:

- Air Filter
- Carburetor (if applicable)
- Fuel Pump
- Choke (Cold Start Enrichment System) (if applicable)
- Control Linkages
- Intake Manifold
- Magneto or Electronic Ignition System (Ignition Module or Electronic Control Unit)
- Fly Wheel
- Spark Plug
- Injection Valve (if applicable)
- Injection Pump (if applicable)
- Throttle Housing (if applicable)
- Cylinder
- Muffler
- Catalytic Converter (if applicable)
- Fuel Tank
- Fuel Cap
- Fuel Line
- Fuel Line Fittings
- Clamps
- Fasteners

Where to make a Claim for Warranty Service

Bring the product to any authorized STIHL servicing dealer and present the signed warranty card.

Maintenance Requirements

The maintenance instructions in this manual are based on the application of the recommended 2-stroke fuel-oil mixture (see also instruction "Fuel"). Deviations from this recommendation regarding quality and mixing ratio of fuel and oil may require shorter maintenance intervals.

Limitations

This Emission Control Systems Warranty shall not cover any of the following:

1. repair or replacement required because of misuse, neglect or lack of required maintenance
2. repairs improperly performed or replacements not conforming to STIHL Limited specifications that adversely affect performance and/or durability, and alterations or modifications not recommended or approved in writing by STIHL Limited
3. replacement of parts and other services and adjustments necessary for required maintenance at and after the first scheduled replacement point

Table des matières

Indications concernant la présente Notice d'emploi	40	Principales pièces	75
Prescriptions de sécurité et techniques de travail	40	Caractéristiques techniques	77
Combinaisons autorisées d'outil de coupe, de capot protecteur, de poignée et de harnais	51	Instructions pour les réparations	78
Montage de la poignée circulaire	52	Mise au rebut	78
Montage de l'anneau de suspension	54	Garantie de la Société STIHL Limited relative au système antipollution	78
Montage des dispositifs de sécurité	55		
Montage de l'outil de coupe	56		
Carburant	58		
Ravitaillement en carburant	59		
Utilisation du harnais	60		
Équilibrage	61		
Mise en route / arrêt du moteur	62		
Transport de l'appareil	65		
Instructions de service	66		
Nettoyage du filtre à air	67		
Gestion moteur	67		
Réglage du carburateur	68		
Bougie	68		
Rangement	69		
Affûtage des outils de coupe métalliques	69		
Entretien de la tête faucheuse	70		
Contrôle et maintenance par l'utilisateur	71		
Contrôle et maintenance par le revendeur spécialisé	72		
Instructions pour la maintenance et l'entretien	73		

Chère cliente, cher client,
nous vous félicitons d'avoir choisi un produit de qualité de la société STIHL.
Ce produit a été fabriqué avec les procédés les plus modernes et les méthodes de surveillance de qualité les plus avancées. Nous mettons tout en œuvre pour que cette machine vous assure les meilleurs services, de telle sorte que vous puissiez en être parfaitement satisfait.
Pour toute question concernant cette machine, veuillez vous adresser à votre revendeur ou directement à l'importateur de votre pays.



Dr. Nikolas Stihl

STIHL®

La présente Notice d'emploi est protégée par des droits d'auteur. Tous droits réservés, en particulier tout droit de copie, de traduction et de traitement avec des systèmes électroniques quelconques.

Indications concernant la présente Notice d'emploi

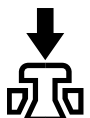
Pictogrammes

Les pictogrammes appliqués sur la machine sont expliqués dans la présente Notice d'emploi.

Suivant la machine et son équipement spécifique, les pictogrammes suivants peuvent y être appliqués.



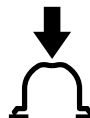
Réservoir à carburant ; mélange d'essence et d'huile moteur



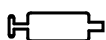
Actionner la soupape de décompression



Pompe d'amorçage manuelle



Actionner la pompe d'amorçage manuelle



Tube de graisse



Canalisation de l'air aspiré : utilisation en été



Canalisation de l'air aspiré : utilisation en hiver



Chauffage de poignées

Repérage des différents types de textes



AVERTISSEMENT

Avertissement contre un risque d'accident et de blessure ainsi que de graves dégâts matériels.



AVIS

Avertissement contre un risque de détérioration de la machine ou de certains composants.

Développement technique

La philosophie de STIHL consiste à poursuivre le développement continu de toutes ses machines et de tous ses dispositifs ; c'est pourquoi nous devons nous réserver tout droit de modification de nos produits, en ce qui concerne la forme, la technique et les équipements.

On ne pourra donc en aucun cas se prévaloir des indications et illustrations de la présente Notice d'emploi à l'appui de revendications quelconques.

Prescriptions de sécurité et techniques de travail



En travaillant avec cette machine, il faut respecter des prescriptions de sécurité particulières, parce que l'outil de coupe tourne à très haute vitesse.



Avant la première mise en service, lire attentivement et intégralement la présente Notice d'emploi. La conserver précieusement pour pouvoir la relire lors d'une utilisation ultérieure. Un utilisateur qui ne respecte pas les instructions de la Notice d'emploi risque de causer un accident grave, voire même mortel.

Respecter les prescriptions de sécurité nationales spécifiques publiées par ex. par les caisses professionnelles d'assurances mutuelles, caisses de sécurité sociale, services pour la protection du travail et autres organismes compétents.

Une personne qui travaille pour la première fois avec cette machine doit demander au vendeur ou à une autre personne compétente de lui montrer comment l'utiliser en toute sécurité – ou participer à un stage de formation.

Les jeunes encore mineurs ne sont pas autorisés à travailler avec cette machine – une seule exception est permise pour des apprentis de plus de 16 ans travaillant sous surveillance.

Veiller à ce que des spectateurs éventuels, en particulier des enfants, ou des animaux restent à une distance suffisante.

Lorsque la machine n'est pas utilisée, la ranger en veillant à ce qu'elle ne présente aucun danger pour d'autres personnes. Conserver la machine à un endroit adéquat, de telle sorte qu'elle ne puisse pas être utilisée sans autorisation.

L'utilisateur est responsable des blessures qui pourraient être infligées à d'autres personnes, de même que des dégâts matériels causés.

Ne confier la machine qu'à des personnes familiarisées avec ce modèle et sa manipulation – toujours y joindre la Notice d'emploi.

L'utilisation de dispositifs à moteur bruyants peut être soumise à des prescriptions nationales ou locales précisant les créneaux horaires à respecter.

L'utilisateur de la machine doit être reposé, en bonne santé et en bonne condition physique.

Une personne à laquelle il est interdit d'effectuer des travaux fatigants – pour des questions de santé – devrait consulter son médecin et lui demander si elle peut travailler avec un dispositif à moteur.

Uniquement pour les personnes qui portent un stimulateur cardiaque : le système d'allumage de cette machine engendre un champ électromagnétique de très faible intensité. Une influence sur certains types de stimulateurs cardiaques ne peut pas être totalement exclue. Afin d'écartier tout risque pour la santé, STIHL recommande aux personnes portant un stimulateur cardiaque de consulter leur médecin traitant et le fabricant du stimulateur cardiaque.

Il est interdit de travailler avec la machine après avoir consommé de l'alcool ou de la drogue ou bien après avoir pris des médicaments qui risquent de limiter la capacité de réaction.

Utiliser la machine – suivant les outils de coupe assignés – exclusivement pour faucher de l'herbe ou pour couper des plantes sauvages, des buissons, des broussailles, des arbustes etc.

Il est interdit d'utiliser cette machine pour d'autres travaux – **risque d'accident !**

Monter exclusivement des outils de coupe ou accessoires autorisés par STIHL pour cette machine, ou des pièces similaires du point de vue technique. Pour toute question à ce sujet, s'adresser à un revendeur spécialisé. Utiliser exclusivement des outils ou accessoires de haute qualité. Sinon, des accidents pourraient survenir ou la machine risquerait d'être endommagée.

STIHL recommande d'utiliser des outils et accessoires d'origine STIHL. Leurs caractéristiques sont optimisées tout spécialement pour ce produit, et pour satisfaire aux exigences de l'utilisateur.

N'apporter aucune modification à cette machine – cela risquerait d'en compromettre la sécurité. STIHL décline toute responsabilité pour des blessures ou des dégâts matériels occasionnés en cas d'utilisation d'équipements rapportés non autorisés.

Le capot protecteur de la machine ne peut pas protéger l'utilisateur contre tous les objets (pierres, morceaux de verre ou de fil de fer etc.) projetés par l'outil de coupe. Ces objets peuvent ricocher et toucher l'utilisateur.

Pour le nettoyage de cette machine, ne pas utiliser un nettoyeur haute pression. Le puissant jet d'eau risquerait d'endommager certaines pièces de la machine.

Vêtements et équipement

Porter des vêtements et équipements de protection réglementaires.



Les vêtements doivent être fonctionnels et garantir une liberté de mouvement totale. Porter des vêtements bien ajustés – une combinaison, mais pas une blouse de travail.

Ne pas porter des vêtements qui risqueraient de se prendre dans le bois, les broussailles ou les pièces en mouvement de la machine. Ne porter ni écharpe ou cravate, ni bijoux. Les personnes aux cheveux longs doivent les nouer et les assurer (foulard, casquette, casque etc.).



Porter des chaussures de sécurité avec semelle antidérapante et coquille d'acier.

Pour travailler seulement avec des têtes faucheuses, il est également permis de porter des chaussures robustes avec semelle crantée antidérapante.

! AVERTISSEMENT



Étant donné le risque de blessure des yeux, il faut impérativement porter des lunettes de protection couvrant étroitement les yeux, conformément à la norme EN 166. Veiller à ce que les lunettes soient parfaitement ajustées.

Porter une visière pour la protection du visage et veiller à ce qu'elle soit bien ajustée. Une visière n'offre pas une protection oculaire suffisante.

Porter un dispositif antibruit « individuel » – par ex. des capsules protège-oreilles.

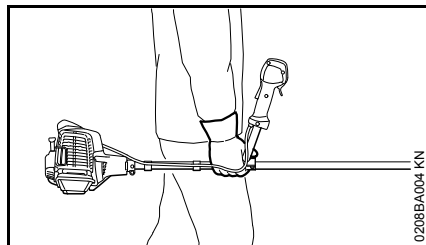
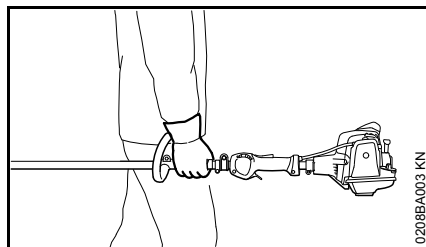
Pour les travaux de dépressage, la coupe de broussailles assez hautes et chaque fois qu'un risque de chute d'objets se présente, porter un casque.



Porter des gants de travail robustes (par ex. en cuir).

STIHL propose une gamme complète d'équipements pour la protection individuelle.

Transport



Toujours arrêter le moteur.

Porter la machine en la laissant suspendue au harnais ou en la tenant par le tube, de telle sorte qu'elle soit bien équilibrée.

Monter un protecteur de transport pour éviter tout risque de blessure en cas de contact avec l'outil de coupe métallique, même pour un transport sur de courtes distances – voir aussi « Transport ».



Ne pas toucher aux pièces très chaudes de la machine ou au réducteur – **risque de brûlure !**

Pour le transport dans un véhicule : assurer la machine de telle sorte qu'elle ne risque pas de se renverser, d'être endommagée ou de perdre du carburant.

Ravitaillement



L'essence est un carburant extrêmement inflammable – rester à une distance suffisante de toute flamme ou source d'inflammation – ne pas renverser du carburant – ne pas fumer.

Arrêter le moteur avant de refaire le plein.

Ne pas refaire le plein tant que le moteur est très chaud – du carburant peut déborder – **risque d'incendie !**

Ouvrir prudemment le bouchon du réservoir à carburant, afin que la surpression interne s'échappe lentement et que du carburant ne soit pas éjecté.

Faire le plein exclusivement à un endroit bien aéré. Si l'on a renversé du carburant, essuyer immédiatement la machine. Ne pas se renverser du carburant sur les vêtements – le cas échéant, se changer immédiatement.



Après le ravitaillement, le bouchon de réservoir doit être serré le plus fermement possible.

Cela réduit le risque de desserrage du bouchon du réservoir sous l'effet des vibrations du moteur, et de fuite de carburant.

S'assurer que la machine ne présente pas de fuite – si l'on constate une fuite de carburant, ne pas mettre le moteur en marche – **danger de mort par suite de brûlures !**

Avant la mise en route

S'assurer que la machine se trouve en parfait état pour un fonctionnement en toute sécurité – conformément aux indications des chapitres correspondants de la Notice d'emploi :

- contrôler l'étanchéité du système d'alimentation en carburant, en examinant tout particulièrement les pièces visibles telles que le bouchon du réservoir, les raccords de flexibles, la pompe d'amorçage manuelle (seulement sur les machines munies d'une pompe d'amorçage manuelle). Ne pas démarrer le moteur en cas de manque d'étanchéité ou d'endommagement – **risque d'incendie !** Avant de remettre la machine en service, la faire contrôler par le revendeur spécialisé ;
- utiliser exclusivement la combinaison autorisée d'outil de coupe, de capot protecteur, de poignée et de harnais ; toutes les pièces doivent être montées impeccablement ;
- le bouton d'arrêt / curseur combiné doit pouvoir être actionné facilement ;
- le bouton de starter, le blocage de gâchette d'accélérateur et la gâchette d'accélérateur doivent fonctionner facilement – la gâchette d'accélérateur doit revenir automatiquement en position de ralenti, sous l'effet de son ressort. En partant de la position **I** du bouton de starter, ce bouton doit revenir dans la position de marche

normale **I**, sous l'effet de son ressort, lorsqu'on enfonce en même temps le blocage de gâchette d'accélérateur et la gâchette d'accélérateur ;

- contrôler le serrage du contact de câble d'allumage sur la bougie – un contact desserré peut provoquer un jaillissement d'étincelles risquant d'enflammer le mélange carburé qui aurait pu s'échapper – **risque d'incendie !**
- outil de coupe ou outil à rapporter : monté correctement, bien serré et dans un état impeccable ;
- contrôler si les dispositifs de protection (par ex. le capot protecteur de l'outil de coupe, le bol glisseur) ne sont pas endommagés ou usés. Remplacer les pièces endommagées. Il est interdit d'utiliser la machine avec un capot protecteur endommagé ou un bol glisseur usé (lorsque l'inscription et les flèches ne sont plus reconnaissables) ;
- n'apporter aucune modification aux dispositifs de commande et de sécurité ;
- les poignées doivent être propres et sèches, sans huile ni autres salissures – un point très important pour que l'on puisse manier la machine en toute sécurité ;
- ajuster le harnais et la poignée (les poignées) suivant la taille de l'utilisateur. À ce sujet, respecter les indications des chapitres « Utilisation du harnais » et « Équilibrage ».

Il est interdit d'utiliser la machine si elle ne se trouve pas en parfait état de fonctionnement – **risque d'accident !**

Pour parer à toute éventualité, à l'utilisation d'un harnais : s'entraîner pour savoir se dégager rapidement de la machine. Lors de cet exercice, ne pas jeter la machine sur le sol, pour ne pas risquer de l'endommager.

Mise en route du moteur

Aller au moins à 3 mètres du lieu où l'on a fait le plein – et ne pas lancer le moteur dans un local fermé.

Pour lancer le moteur, il faut impérativement se tenir bien d'aplomb, sur une aire stable et plane – l'outil de coupe ne doit entrer en contact ni avec le sol, ni avec un objet quelconque, car il peut déjà être entraîné au démarrage du moteur.

La machine doit être maniée par une seule personne – ne pas tolérer la présence d'autres personnes dans un rayon de 15 m – pas même à la mise en route du moteur – **risque de blessure** par des objets projetés !



Éviter tout contact avec l'outil de coupe – **risque de blessure !**



Ne pas lancer le moteur en tenant la machine « à bout de bras » – pour la mise en route du moteur, procéder comme décrit dans la Notice d'emploi. Lorsqu'on relâche la gâchette d'accélérateur, l'outil de coupe fonctionne encore pendant quelques instants – **par inertie !**

Contrôler le ralenti du moteur : au ralenti – avec gâchette d'accélérateur relâchée – l'outil de coupe doit être arrêté.

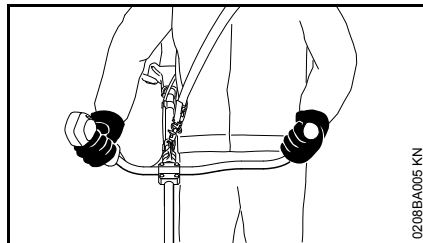
Écarter toute matière aisément inflammable (par ex. copeaux, morceaux d'écorce, herbe sèche, carburant) du flux des gaz d'échappement et du silencieux très chauds – **risque d'incendie !**

Prise en main et utilisation

Toujours tenir fermement la machine à deux mains, par les poignées.

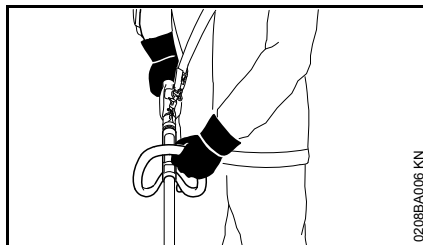
Toujours se tenir dans une position stable et sûre.

Sur les versions à guidon



Tenir la poignée de commande de la main droite et l'autre poignée du guidon de la main gauche.

Sur les versions à poignée circulaire

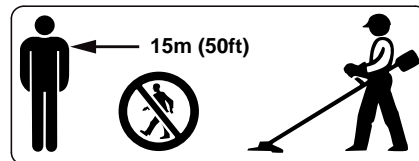


Tenir la poignée circulaire de la main gauche et la poignée de commande de la main droite – ceci est également valable pour les gauchers.

Au cours du travail

Toujours se tenir dans une position stable et sûre.

En cas d'urgence ou de danger imminent, arrêter immédiatement le moteur – actionner le bouton d'arrêt / le curseur combiné en direction de 0.



La machine peut projeter des objets à une grande distance de l'aire de travail. C'est pourquoi, à part l'utilisateur, personne ne doit se trouver dans un rayon de 15 m de la machine en marche. Respecter également cette distance par rapport à des véhicules garés, vitres etc. – pour éviter de causer des **dégâts matériels !** Même à une distance de plus de 15 m, des objets projetés peuvent encore présenter des risques.

Veiller à ce que le ralenti soit correctement réglé – de telle sorte qu'après le relâchement de la gâchette d'accélérateur l'outil de coupe ne soit plus entraîné et s'arrête.

Contrôler régulièrement et rectifier si nécessaire le réglage du ralenti. Si l'outil de coupe est entraîné au ralenti, malgré un réglage correct, faire réparer la machine par le revendeur spécialisé. STIHL recommande de s'adresser au revendeur spécialisé STIHL.

Faire particulièrement attention sur un sol glissant – mouillé, couvert de neige ou de verglas – de même qu'en travaillant à flanc de coteau ou sur un sol inégal etc. – **risque de dérapage !**

Faire attention aux obstacles : souches d'arbres, racines – **pour ne pas risquer de trébucher !**

Travailler seulement depuis le sol, ne jamais monter sur un échafaudage instable – jamais sur une échelle ou une nacelle élévatrice.

En travaillant avec des protège-oreilles, il faut faire tout particulièrement attention – des bruits signalant un danger (cris, signaux sonores etc.) sont moins bien perceptibles.

Faire des pauses à temps pour ne pas risquer d'atteindre un état de fatigue ou d'épuisement qui pourrait **entraîner un accident !**

Travailler calmement, de manière bien réfléchie – seulement dans de bonnes conditions de visibilité et d'éclairage. Prendre les précautions utiles pour exclure le risque de blesser d'autres personnes.



Dès que le moteur est en marche, il dégage des gaz d'échappement toxiques. Ces gaz peuvent être inodores et invisibles, et renfermer des hydrocarbures imbrûlés et du benzène. Ne jamais travailler avec la machine dans des locaux fermés ou mal aérés – pas non plus si le moteur est équipé d'un catalyseur.

En travaillant dans des fossés, des dépressions de terrain ou des espaces restreints, toujours veiller à ce qu'une ventilation suffisante soit assurée – **danger de mort par intoxication !**

En cas de nausée, de maux de tête, de troubles de la vue (par ex. rétrécissement du champ de vision) ou

de l'ouïe, de vertige ou de manque de concentration croissant, arrêter immédiatement le travail – ces symptômes peuvent, entre autres, être causés par une trop forte concentration de gaz d'échappement dans l'air ambiant – **risque d'accident !**

Éviter les émissions de bruits et de gaz d'échappement inutiles. Ne pas laisser le moteur en marche lorsque la machine n'est pas utilisée – accélérer seulement pour travailler.

Ne pas fumer en travaillant ou à proximité de la machine – **risque d'incendie !** Des vapeurs d'essence inflammables peuvent s'échapper du système d'alimentation en carburant.

Les poussières, les vapeurs et les fumées dégagées au cours du travail peuvent nuire à la santé. En cas de fort dégagement de poussière ou de fumée, porter un masque respiratoire.

Si la machine a été soumise à des sollicitations sortant du cadre de l'utilisation normale (par ex. si elle a été soumise à des efforts violents, en cas de choc ou de chute), avant de la remettre en marche, il faut impérativement s'assurer qu'elle se trouve en parfait état de fonctionnement – voir également « Avant la mise en route du moteur ».

Contrôler tout particulièrement l'étanchéité du système de carburant et la fiabilité des dispositifs de sécurité. Il ne faut en aucun cas continuer d'utiliser la machine si la sécurité de son fonctionnement n'est pas garantie. En cas de doute, consulter le revendeur spécialisé.



Ne jamais travailler sans le capot protecteur qui convient pour la machine et pour l'outil de coupe utilisé – **risque de blessure par des objets projetés !**



Examiner le terrain : des objets durs – pierres, morceaux de métal ou autres – peuvent être projetés au loin – même à plus de 15 m – **risque de blessure !** – et risquent d'endommager l'outil de coupe ou de causer des dégâts matériels (par ex. sur des véhicules garés, vitres etc.).

Il faut prendre des précautions particulières en travaillant sur des terrains difficiles, à végétation dense.

En fauchant dans les broussailles hautes ou sous les buissons et haies : tenir l'outil de coupe à une hauteur de travail d'au moins 15 cm du sol – pour ne pas mettre en danger les animaux cachés, tels que les hérissons.

Avant de quitter la machine – arrêter le moteur.

Vérifier l'outil de coupe à de courts intervalles réguliers – et immédiatement si le comportement de l'outil change :

- arrêter le moteur, maintenir fermement la machine, attendre que l'outil de coupe s'arrête ;
- contrôler l'état et la bonne fixation – on ne doit constater aucun début de fissuration ;
- vérifier l'affûtage ;
- des outils de coupe défectueux ou émoussés doivent être remplacés immédiatement, même en cas de fissures capillaires minimales.

Enlever régulièrement l'herbe et les broussailles enchevêtrées dans la prise de l'outil de coupe – en cas d'engorgement, nettoyer la zone de l'outil de coupe ou du capot protecteur.

Pour remplacer l'outil de coupe, arrêter le moteur – **risque de blessure !**



À l'utilisation, le réducteur devient très chaud. Ne pas toucher au carter du réducteur – **risque de brûlure !**

Ne pas continuer d'utiliser des outils de coupe endommagés ou présentant un début de fissuration – et ne pas non plus les réparer – par ex. par soudage ou redressage – modification de la forme (balourd).

Des particules ou des éclats pourraient se détacher, être projetés à haute vitesse et toucher l'utilisateur ou une autre personne – **risque de blessures très graves !**

Utilisation de têtes faucheuses

Compléter le capot protecteur de l'outil de coupe avec les pièces à rapporter indiquées dans la Notice d'emploi.

Utiliser exclusivement un capot protecteur muni d'un couteau monté conformément aux prescriptions, pour rogner les fils de coupe à la longueur autorisée.

Pour réajuster la longueur du fil de coupe sur les têtes faucheuses à sortie de fil manuelle, il faut impérativement arrêter le moteur – **risque de blessure !**

L'utilisation, interdite, avec des fils de coupe trop longs réduit le régime de travail du moteur. L'embrayage patine alors continuellement, ce qui entraîne une surchauffe et la détérioration d'éléments fonctionnels importants (par ex. embrayage, pièces en matière synthétique du carter) – des dommages subséquents, par ex. le fait que l'outil de coupe soit entraîné au ralenti, présentent un **risque de blessure !**

Utilisation d'outils de coupe métalliques

STIHL recommande d'utiliser des outils de coupe métalliques STIHL d'origine. Leurs caractéristiques sont optimisées tout spécialement pour cette machine, et pour répondre aux exigences de l'utilisateur.

Les outils de coupe métalliques tournent à très haute vitesse. Cela engendre des forces qui agissent sur la machine, sur l'outil de coupe et sur les végétaux coupés.

Il faut impérativement affûter les outils de coupe métalliques à intervalles réguliers, en respectant les prescriptions.

Des outils de coupe métalliques affûtés de façon irrégulière engendrent un balourd qui peut soumettre la machine à des sollicitations extrêmes – **des pièces risquent de casser !**

Des tranchants émoussés ou pas correctement affûtés peuvent soumettre l'outil de coupe métallique à des contraintes supérieures à la normale – l'outil risque de se fissurer ou d'éclater – **risque de blessure !**

Après tout contact avec des objets durs (par ex. pierres, roches, objets métalliques), contrôler si l'outil de coupe métallique n'a pas été endommagé (début de fissuration, déformations etc.). Il faut impérativement éliminer les bavures ou autres refoulements de matière visibles, car ils risquent de se détacher à l'utilisation de l'outil de coupe et les éclats peuvent être projetés au loin – **risque de blessure !**

Si un outil de coupe métallique en rotation heurte une pierre ou un autre objet dur, cela peut provoquer un jaillissement d'étincelles et, dans certaines circonstances, mettre le feu à des matières aisément inflammables. Même les plantes et broussailles sèches sont aisément inflammables, surtout en cas de conditions météorologiques très chaudes et sèches. En présence d'un risque d'incendie, ne pas utiliser des outils de coupe métalliques à proximité de matières inflammables ou de plantes ou broussailles sèches ! Consulter

impérativement l'administration des Eaux et Forêts pour savoir s'il y a des risques d'incendie.

Afin de réduire les risques décrits ci-avant, qui peuvent se présenter à l'utilisation d'un outil de coupe métallique, il faut veiller à ne jamais employer un outil de coupe métallique de trop grand diamètre. L'outil ne doit pas être trop lourd. Il doit être fabriqué en matières de qualité suffisante et avoir la géométrie (forme, épaisseur) qui convient.

Si l'on utilise un outil de coupe métallique qui n'a pas été fabriqué par STIHL, son poids, son épaisseur et son diamètre ne doivent en aucun cas dépasser ceux du plus gros outil de coupe métallique STIHL autorisé pour cette machine, et il doit avoir exactement la même forme que cet outil d'origine STIHL – **risque de blessure !**

Vibrations

Au bout d'une assez longue durée d'utilisation de la machine, les vibrations peuvent provoquer une perturbation de l'irrigation sanguine des mains (« maladie des doigts blancs »).

Il n'est pas possible de fixer une durée d'utilisation valable d'une manière générale, car l'effet des vibrations dépend de plusieurs facteurs.

Les précautions suivantes permettent de prolonger la durée d'utilisation :

- garder les mains au chaud (porter des gants chauds) ;
- faire des pauses.

Les facteurs suivants raccourcissent la durée d'utilisation :

- tendance personnelle à souffrir d'une mauvaise irrigation sanguine (symptômes : doigts souvent froids, fourmillements) ;
- utilisation à de basses températures ambiantes ;
- effort exercé sur les poignées (une prise très ferme gêne l'irrigation sanguine).

Si l'on utilise régulièrement la machine pendant de longues périodes et que les symptômes indiqués ci-avant (par ex. fourmillements dans les doigts) se manifestent à plusieurs reprises, il est recommandé de se faire ausculter par un médecin.

Maintenance et réparations

La machine doit faire l'objet d'une maintenance régulière. Effectuer exclusivement les opérations de maintenance et les réparations décrites dans la Notice d'emploi. Faire exécuter toutes les autres opérations par un revendeur spécialisé.

STIHL recommande de faire effectuer les opérations de maintenance et les réparations exclusivement chez le revendeur spécialisé STIHL. Les revendeurs spécialisés STIHL participent régulièrement à des stages de perfectionnement et ont à leur disposition les informations techniques requises.

Utiliser exclusivement des pièces de rechange de haute qualité. Sinon, des accidents pourraient survenir et la

machine risquerait d'être endommagée. Pour toute question à ce sujet, s'adresser à un revendeur spécialisé.

STIHL recommande d'utiliser des pièces de rechange d'origine STIHL. Leurs caractéristiques sont optimisées tout spécialement pour cette machine, et pour répondre aux exigences de l'utilisateur.

Pour la réparation, la maintenance et le nettoyage, toujours **arrêter le moteur et débrancher le câble d'allumage de la bougie – risque de blessure** en cas de mise en route inopinée du moteur ! – Exception : réglage du carburateur et du ralenti.

Lorsque le câble d'allumage est débranché de la bougie ou que la bougie est dévissée, ne pas faire tourner le moteur avec le lanceur – **risque d'incendie** par suite d'un jaillissement d'étincelles d'allumage à l'extérieur du cylindre !

Ne pas procéder à la maintenance de la machine à proximité d'un feu et ne pas non plus ranger la machine à proximité d'un feu – le carburant présente un **risque d'incendie !**

Contrôler régulièrement l'étanchéité du bouchon du réservoir à carburant.

Utiliser exclusivement une bougie autorisée par STIHL – voir « Caractéristiques techniques » – et dans un état impeccable.

Vérifier le câble d'allumage (isolement dans un état impeccable, bon serrage du raccord).

S'assurer que le silencieux est dans un état impeccable.

Ne pas travailler avec la machine si le silencieux est endommagé ou manque – **risque d'incendie ! – Lésion de l'ouïe !**

Ne pas toucher au silencieux très chaud – **risque de brûlure !**

L'état des éléments antivibratoires AV a une influence sur les caractéristiques du point de vue vibrations – c'est pourquoi il faut régulièrement contrôler les éléments AV.

La maintenance, le remplacement ou la réparation de pièces du système antipollution peuvent être exécutés par une entreprise ou une personne compétente pour la réparation de moteurs d'engins mobiles non routiers. STIHL peut rejeter toute demande de garantie pour un composant dont l'entretien ou la maintenance n'a pas été effectué correctement ou si l'on a utilisé des pièces de rechange non autorisées.

Pour toute opération de maintenance, se référer au tableau de maintenance et d'entretien et aux clauses de garantie qui figurent à la fin de la présente Notice d'emploi.

Symboles appliqués sur les dispositifs de protection

Une **flèche** sur le capot protecteur pour outils de coupe indique le sens de rotation des outils de coupe.

Certains des symboles suivants se trouvent sur la face extérieure du capot protecteur et attirent l'attention sur la combinaison outil de coupe / capot protecteur autorisée.



Il est permis d'utiliser ce capot protecteur avec des têtes faucheuses.



Il est permis d'utiliser ce capot protecteur avec des couteaux à herbe.



Il est interdit d'utiliser ce capot protecteur avec des têtes faucheuses.



Il est interdit d'utiliser ce capot protecteur avec des couteaux à taillis, des couteaux de broyage ou des scies circulaires.



Il est interdit d'utiliser ce capot protecteur avec des couteaux à taillis, des couteaux de broyage, des couteaux à herbe ou des scies circulaires.

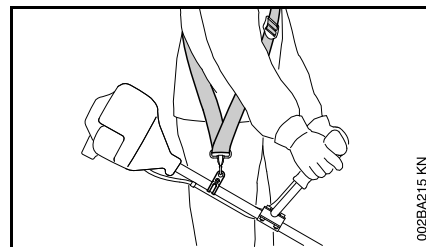


Il est permis d'utiliser ce capot protecteur avec des têtes faucheuses – il est par contre interdit de l'utiliser avec des couteaux à taillis, des couteaux de broyage ou des scies circulaires.



Il est permis d'utiliser ce capot protecteur avec des têtes faucheuses – il est par contre interdit de l'utiliser avec des outils de coupe métalliques.

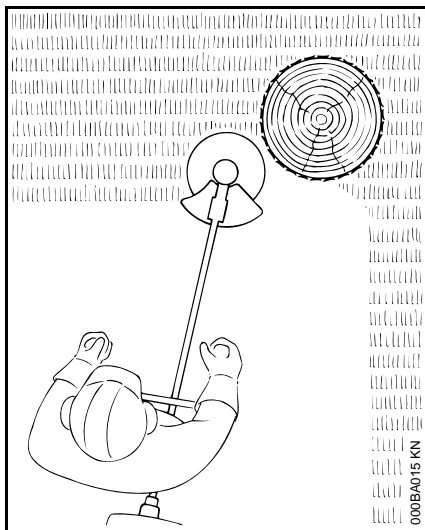
Harnais



- Utiliser le harnais ;
- accrocher le dispositif à moteur au harnais après avoir mis le moteur en marche.

Pour l'utilisation des couteaux à herbe le port d'un harnais (simple) est obligatoire !

Tête faucheuse avec fil de coupe



Pour une coupe « en douceur » – pour couper proprement même les bordures irrégulières, autour des arbres, des poteaux etc. – moindre risque d'endommager l'écorce des arbres.

Le jeu de pièces fourni à la livraison de la tête faucheuse comprend un folio. Pour la recharge de la tête faucheuse avec un fil de coupe, procéder exclusivement suivant les instructions du folio.

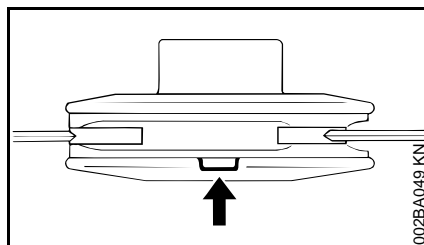
! AVERTISSEMENT

Ne pas remplacer le fil de coupe par des fils ou câbles métalliques – **risque de blessure !**

Tête faucheuse avec couteaux en matière synthétique – STIHL PolyCut

Pour faucher les bordures de près dégagées (sans poteaux, clôtures, arbres ou obstacles similaires).

Faire attention aux témoins d'usure !



Si, sur la tête faucheuse PolyCut, l'un des témoins d'usure est cassé, du côté inférieur (flèche) : ne plus utiliser cette tête faucheuse, mais la remplacer par une tête faucheuse neuve ! **Risque de blessure** par des éclats de l'outil projetés !

Respecter impérativement les instructions à suivre pour la maintenance de la tête faucheuse PolyCut !

La tête faucheuse PolyCut peut être également munie d'un fil de coupe, à la place des couteaux en matière synthétique.

Des folios font partie de l'ensemble fourni à la livraison de la tête faucheuse. Pour monter des couteaux en matière synthétique ou un fil de coupe sur la tête faucheuse, procéder exclusivement suivant les instructions des folios.

! AVERTISSEMENT

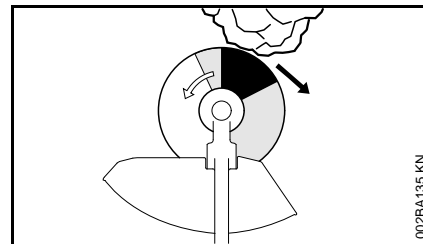
Ne pas utiliser des fils ou câbles métalliques à la place du fil de coupe prévu – **risque de blessure !**

Risque de rebond avec les outils de coupe métalliques

! AVERTISSEMENT

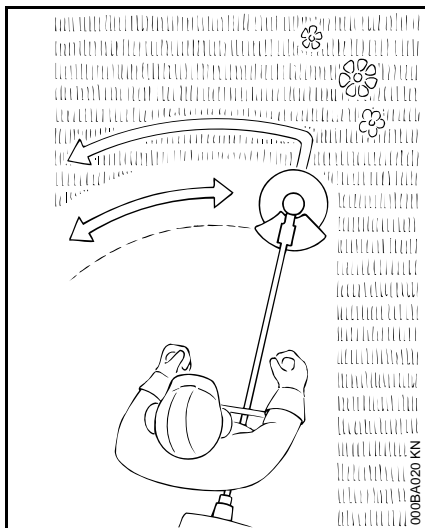


L'utilisation d'outils de coupe métalliques présente un risque de rebond, si l'outil entre en contact avec un objet solide (tronc d'arbre, branche, souche d'arbre, pierre etc.). La machine est alors projetée en arrière – dans la direction opposée au sens de rotation de l'outil.



Un **risque de rebond accru** se présente lorsque le **secteur de l'outil dessiné en noir** touche un obstacle.

Couteau à herbe



Uniquement pour l'herbe et les plantes adventices – mener le dispositif comme une faux.

! AVERTISSEMENT

Une utilisation incorrecte peut entraîner la détérioration du couteau à herbe – risque de projection d'éclats de l'outil – **risque de blessure !**

Lorsque le couteau à herbe est nettement émoussé, il faut le réaffûter conformément aux prescriptions.

Combinaisons autorisées d'outil de coupe, de capot protecteur, de poignée et de harnais

Outil de coupe	Capot protecteur	Poignée	Harnais
<p>1, 2, 3, 4, 5</p>	<p>10, 11, 12</p>	<p>14, 15, 16</p>	<p>17, 19</p>
<p>6, 7, 8, 9</p>	<p>13</p>	<p>15, 16</p>	<p>18, 19</p>

Combinaisons autorisées

Suivant l'outil de coupe utilisé, choisir la combinaison correcte indiquée sur le tableau !

AVERTISSEMENT

Pour des questions de sécurité, il ne faut combiner que les versions d'outil de coupe, de capot protecteur, de poignée et de harnais qui se trouvent sur la

même ligne du tableau. D'autres combinaisons sont interdites – **risque d'accident !**

Outils de coupe

Têtes faucheuses

- 1 STIHL SuperCut 20-2
- 2 STIHL AutoCut 25-2
- 3 STIHL AutoCut 36-2
- 4 STIHL DuroCut 20-2
- 5 STIHL PolyCut 20-3

Outils de coupe métalliques

- 6 Couteau à herbe 230-2 (Ø 230 mm)
- 7 Couteau à herbe 260-2 (Ø 260 mm)
- 8 Couteau à herbe 230-4 (Ø 230 mm)
- 9 Couteau à herbe 230-8 (Ø 230 mm)



AVERTISSEMENT

Il est interdit d'utiliser des couteaux à herbe non métalliques.

Capots protecteurs

- 10 Capot protecteur pour têtes faucheuses
- 11 Capot protecteur **avec**
- 12 Tablier et couteau rogneur exclusivement pour têtes faucheuses
- 13 Capot protecteur **sans** tablier ni couteau rogneur, pour outils de coupe métalliques

Poignée

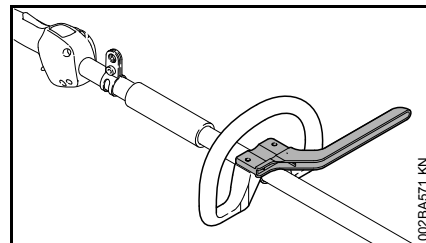
- 14 Poignée circulaire
- 15 Poignée circulaire **avec**
- 16 Protection (pour garder la distance de sécurité entre l'outil de coupe et les pieds et jambes de l'utilisateur)

Harnais

- 17 Harnais simple – peut être utilisé
- 18 Harnais simple – obligatoire
- 19 Harnais double – peut être utilisé

Montage de la poignée circulaire

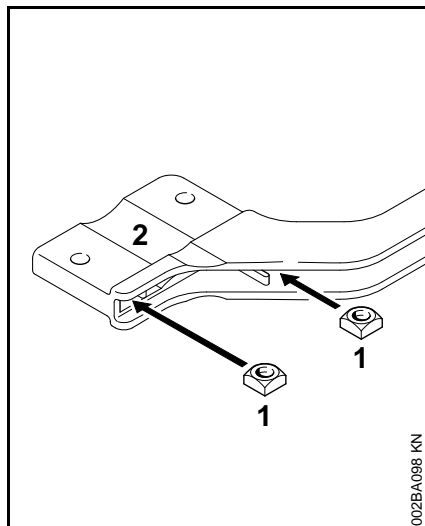
Utilisation de la protection



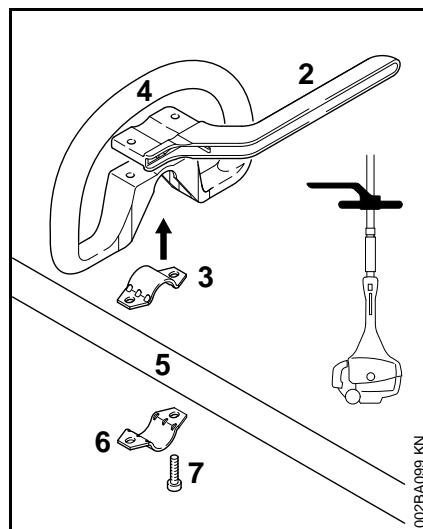
Suivant l'outil de coupe utilisé – voir « Combinaisons autorisées d'outil de coupe, de capot protecteur, de poignée et de harnais » – une protection doit impérativement être montée sur la poignée circulaire, pour garder la distance de sécurité entre l'outil de travail et les pieds et jambes de l'utilisateur.

La protection fait partie du jeu de pièces joint à la livraison de la machine ou est livrable à titre d'accessoire optionnel.

Montage de la poignée circulaire avec protection

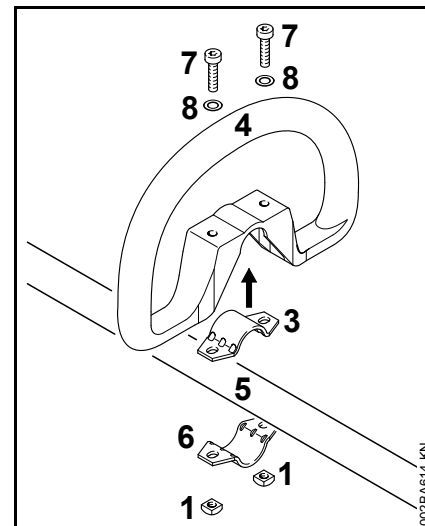


- Introduire les écrous à quatre pans (1) dans la protection (2) – faire coïncider les trous ;



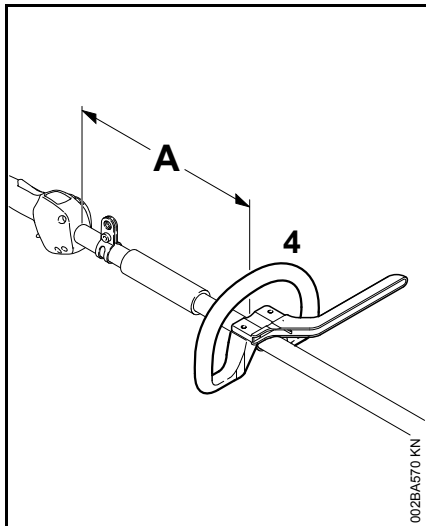
- loger la bride (3) dans la poignée circulaire (4) et la poser avec la poignée sur le tube (5) ;
- appliquer la bride (6) ;
- appliquer la protection (2) – en veillant au positionnement correct !
- faire coïncider les trous ;
- introduire les vis (7) à travers les trous des pièces – et les visser à fond dans la protection ;
- pour continuer, voir « Fixation de la poignée circulaire ».

Montage de la poignée circulaire sans protection



- Loger la bride (3) dans la poignée circulaire (4) et la poser avec la poignée sur le tube (5) ;
- appliquer la bride (6) ;
- faire coïncider les trous ;
- poser la rondelle (8) sur la vis (7) et introduire la vis dans le trou ; visser l'écrou à quatre pans (1) sur la vis – jusqu'en appui ;
- pour continuer, voir « Fixation de la poignée circulaire ».

Ajustage et fixation de la poignée circulaire



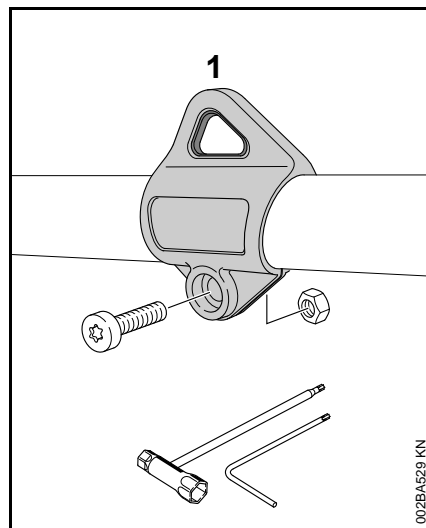
En modifiant la distance (A), on peut amener la poignée circulaire dans la position la plus commode suivant l'utilisateur et l'utilisation prévue.

Distance recommandée :
(A) = env. 30 cm (12 po).

- Glisser la poignée circulaire dans la position souhaitée ;
- ajuster la poignée circulaire (4) ;
- serrer les vis de telle sorte que la poignée circulaire ne puisse plus tourner sur le tube – si la protection n'est pas montée : serrer au besoin les contre-écrous.

Montage de l'anneau de suspension

Version en matière synthétique

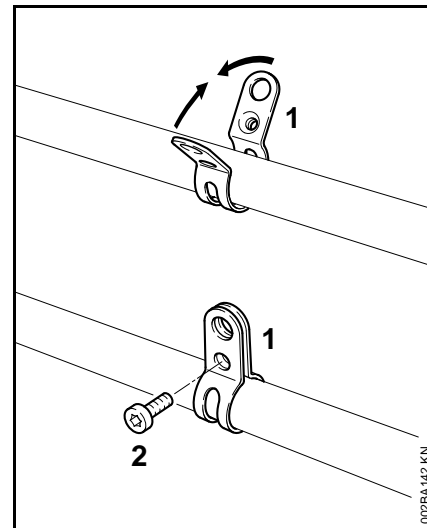


Position de l'anneau de suspension : voir « Principales pièces ».

- Appliquer l'anneau de suspension (1) sur le tube et l'emboîter sur le tube ;
- mettre l'écrou M5 dans la prise à six pans de l'anneau de suspension ;
- visser la vis M5x14 ;
- ajuster l'anneau de suspension ;
- serrer la vis.

Version métallique

L'anneau de suspension fait partie du jeu de pièces joint à la livraison de la machine ou est livrable à titre d'accessoire optionnel.

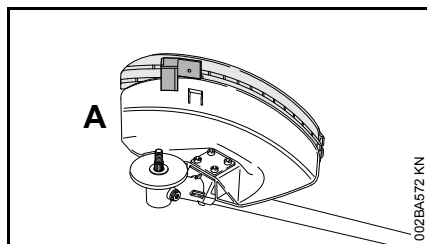


Position de l'anneau de suspension : voir « Principales pièces ».

- Appliquer le collier (1) sur le tube **avec le filetage du côté gauche** (côté utilisateur) ;
- pincer les pattes du collier et les maintenir ;
- visser la vis (2) M6x14 ;
- ajuster l'anneau de suspension ;
- serrer la vis.

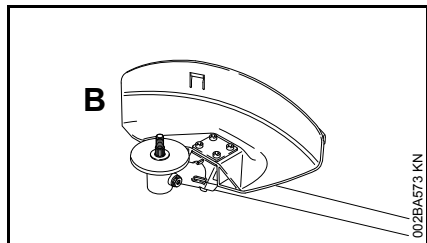
Montage des dispositifs de sécurité

Utiliser le capot protecteur qui convient



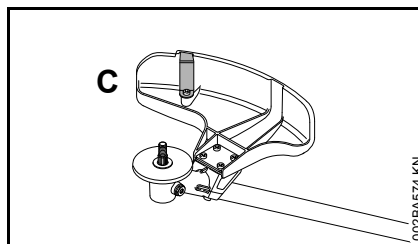
! AVERTISSEMENT

Le capot protecteur (A) avec tablier et couteau rogneur est autorisé exclusivement pour des têtes faucheuses.



! AVERTISSEMENT

Le capot protecteur (B) sans tablier ni couteau rogneur est autorisé exclusivement pour des couteaux à herbe.

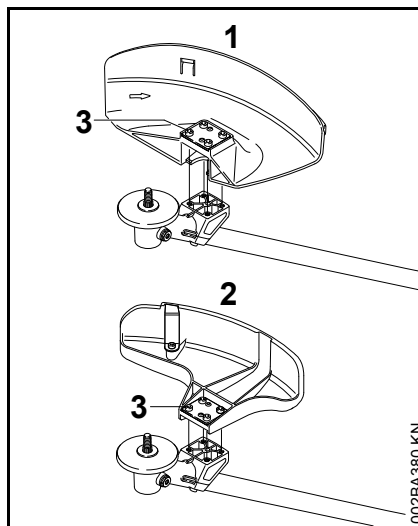


! AVERTISSEMENT

Le capot protecteur (C) avec couteau rogneur est autorisé exclusivement pour des têtes faucheuses.

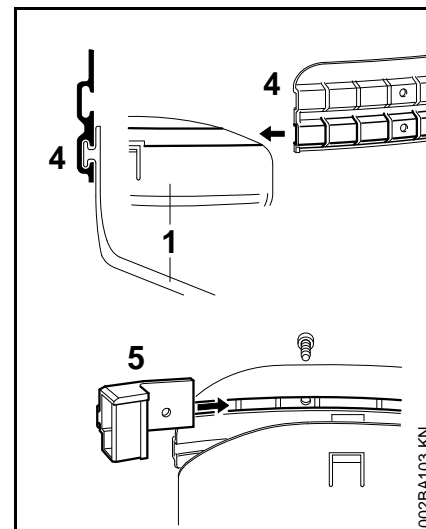
Montage du capot protecteur

Tous les capots protecteurs se fixent de la même manière, sur le réducteur.



- Appliquer le capot protecteur (1) ou (2) sur le réducteur ;
- visser et serrer les vis (3).

Montage du tablier et du couteau



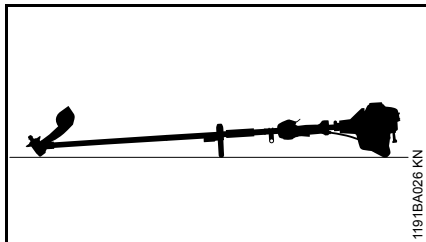
! AVERTISSEMENT

Ces pièces doivent être montées sur le capot protecteur (1) lorsqu'on utilise des têtes faucheuses.

- Glisser la rainure de guidage inférieure du tablier (4) sur le rebord du capot protecteur (1) jusqu'à ce que le tablier s'encliquette ;
- glisser le couteau (5) dans la rainure de guidage supérieure du tablier et le faire coïncider avec le premier trou de fixation ;
- visser et serrer la vis.

Montage de l'outil de coupe

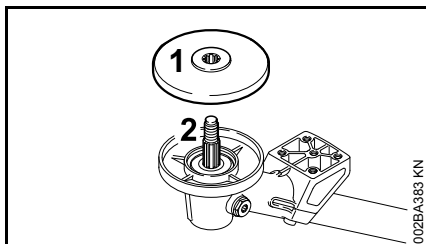
Pose de la machine sur le sol



- Arrêter le moteur ;
- poser la machine de telle sorte que la prise pour outil de coupe soit orientée vers le haut.

Montage du disque de pression

Le jeu de pièces fourni à la livraison de la machine comprend le disque de pression.



- Glisser le disque de pression (1) sur l'arbre (2).

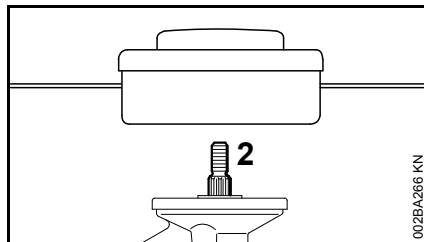


Pour la fixation des outils de coupe, il est indispensable que le disque de pression soit monté sur le réducteur.

Pièces de fixation pour outils de coupe

Le jeu de pièces joint pour la fixation de l'outil de coupe peut différer suivant l'outil de coupe livré avec l'équipement de première monte d'une machine neuve.

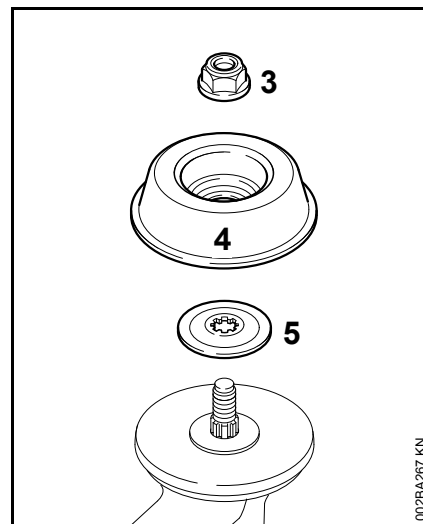
Livraison sans pièces de fixation



Il est seulement possible de monter des têtes faucheuses, à fixer directement sur l'arbre (2).

Livraison avec pièces de fixation

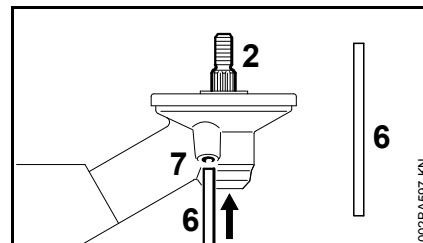
Il est possible de monter des têtes faucheuses et des outils de coupe métalliques.



Suivant la version de l'outil de coupe, il faut utiliser en outre l'écrou (3), le bol glisseur (4) et le disque de pression (5).

Ces pièces font partie du jeu de pièces joint à la livraison de la machine ou sont livrables à titre d'accessoires optionnels.

Blocage de l'arbre



Pour le montage et le démontage des outils de coupe, il faut bloquer l'arbre (2) à l'aide du mandrin de calage (6). Le mandrin de calage est compris dans le

jeu de pièces fourni à la livraison ou peut être livré en tant qu'accessoire optionnel.

- Glisser le mandrin de calage (6) jusqu'en butée dans l'orifice (7) du réducteur – en exerçant seulement une légère pression ;
- faire jouer l'arbre, l'écrou ou l'outil de coupe jusqu'à ce que le mandrin s'encliquette et que l'arbre soit bloqué.

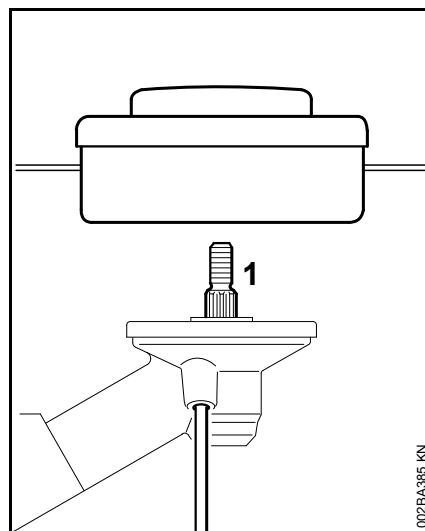
Montage de l'outil de coupe

! AVERTISSEMENT

Monter le capot protecteur qui convient pour l'outil de coupe respectivement utilisé – voir « Montage des dispositifs de protection ».

Montage de la tête faucheuse avec prise filetée

Conserver précieusement le folio joint à la tête faucheuse.



- Visser la tête faucheuse sur l'arbre (1) en tournant dans le sens inverse des aiguilles d'une montre, jusqu'en appui ;
- bloquer l'arbre ;
- serrer fermement la tête faucheuse.



AVIS

Enlever l'outil inséré pour bloquer l'arbre.

Démontage de la tête faucheuse

- Bloquer l'arbre ;
- faire tourner la tête faucheuse dans le sens des aiguilles d'une montre.

Montage d'un outil de coupe métallique

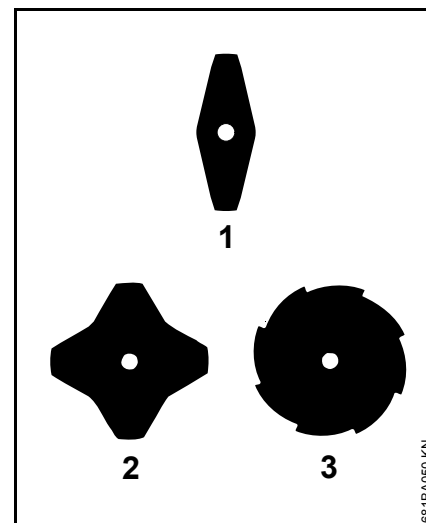
Conserver précieusement l'emballage et le folio joint à l'outil de coupe métallique.

! AVERTISSEMENT

Mettre des gants de protection – risque de blessure sur les tranchants acérés.

Ne monter qu'un seul outil de coupe métallique !

Orientation correcte de l'outil de coupe

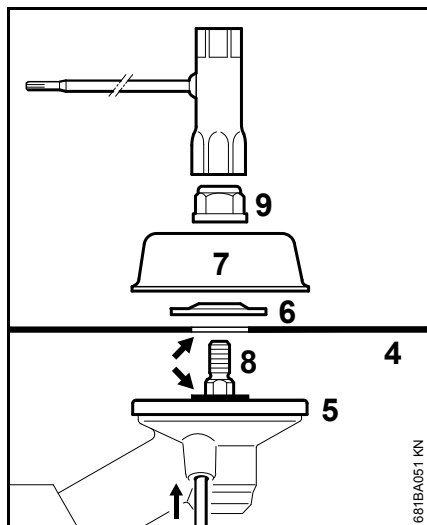


Les couteaux à herbe (1) et (2) peuvent être orientés dans n'importe quel sens – retourner régulièrement ces outils de coupe pour éviter une usure unilatérale.

Sur le couteau à herbe (3), les tranchants doivent être orientés dans le sens des aiguilles d'une montre.

! AVERTISSEMENT

Respecter le sens de rotation indiqué par la flèche estampée sur la face intérieure du capot protecteur.



- Poser l'outil de coupe (4) sur le disque de pression (5).

! AVERTISSEMENT

Le collet (flèche) doit s'engager dans l'orifice de l'outil de coupe.

Fixation de l'outil de coupe

- Poser la rondelle de pression (6) – avec le côté bombé orienté vers le haut ;
- poser le bol glisseur (7) ;
- bloquer l'arbre (8) ;
- visser et serrer l'écrou (9) sur l'arbre en tournant dans le sens inverse des aiguilles d'une montre.

! AVERTISSEMENT

S'il tourne facilement sur le filetage, l'écrou doit être remplacé.



Enlever l'outil inséré pour bloquer l'arbre.

Démontage d'un outil de coupe métallique

! AVERTISSEMENT

Mettre des gants de protection – risque de blessure sur les tranchants acérés.

- Bloquer l'arbre ;
- desserrer l'écrou en tournant dans le sens des aiguilles d'une montre ;
- enlever, du réducteur, l'outil de coupe et ses pièces de fixation – le disque de pression (5) **ne doit pas** être enlevé.

Carburant

Ce moteur est homologué pour l'utilisation avec de l'essence sans plomb et un taux de mélange de 50:1.

Votre moteur doit être alimenté avec un mélange composé de supercarburant (premium gasoline) de haute qualité et d'huile de haute qualité pour moteur deux-temps refroidi par air.

Utiliser du supercarburant de marque, sans plomb, dont l'indice d'octane atteint au moins 89 (R+M)/2.

Nota : Sur les machines munies d'un **catalyseur**, il faut faire le plein avec de l'essence **sans plomb**. Il suffirait de faire quelques fois le plein avec de l'essence plombée pour que l'efficacité du catalyseur se trouve réduite de plus de 50%.

Du carburant à indice d'octane inférieur provoque un allumage anticipé (produisant un « cliquetis »), accompagné d'une élévation de la température du moteur. Cette surchauffe, à son tour, augmente le risque de grippage du piston et de détérioration du moteur.

La composition chimique du carburant est également importante. Certains additifs mélangés au carburant ne présentent pas seulement l'inconvénient de détériorer les élastomères (membranes du carburateur, bagues d'étanchéité, conduits de carburant etc.), mais encore les carters en magnésium. Cela peut perturber le fonctionnement ou même endommager le moteur. C'est pour cette raison qu'il

est extrêmement important d'utiliser exclusivement des carburants de haute qualité !

Des carburants à différentes teneurs en éthanol sont proposés. L'éthanol peut dégrader les caractéristiques de fonctionnement du moteur et accroît le risque de grippage par suite d'un appauvrissement excessif du mélange carburé.

De l'essence avec une teneur en éthanol supérieure à 10% peut causer une dégradation des caractéristiques de fonctionnement et de graves endommagements sur les moteurs munis d'un carburateur à réglage manuel, et c'est pourquoi il n'est pas permis d'utiliser ce carburant sur de tels moteurs.

Les moteurs équipés du système de gestion moteur électronique M-Tronic peuvent fonctionner avec de l'essence contenant jusqu'à 25% d'éthanol (E25).

Pour la composition du mélange, utiliser exclusivement l'huile STIHL pour moteur deux-temps ou de l'huile de marque de qualité équivalente pour moteur deux-temps refroidi par air.

Nous recommandons l'utilisation de l'huile STIHL 50:1 pour moteur deux-temps, car c'est la seule huile spécialement élaborée pour l'utilisation dans les moteurs STIHL.

Ne pas utiliser d'huiles de mélange BIA ou TCW (pour moteurs deux-temps refroidis par eau) !

Pour composer le mélange des modèles à **catalyseur**, utiliser exclusivement **l'huile moteur hautes performances STIHL 50:1** ou une huile de qualité équivalente pour moteur deux-temps.

Manipuler le carburant avec précaution. Éviter tout contact direct de la peau avec le carburant et ne pas inhaler les vapeurs de carburant.

Le bouchon du bidon doit être toujours bien serré, pour éviter que de l'humidité pénètre dans le mélange.

Il convient de nettoyer de temps en temps le réservoir à carburant et les bidons utilisés pour le stockage du mélange.

Taux de mélange

Ne mélanger que la quantité de carburant nécessaire pour quelques journées de travail ; ne pas dépasser une durée de stockage de 30 jours. Conserver le mélange exclusivement dans des bidons de sécurité homologués pour le carburant. Pour la composition du mélange, verser dans le bidon tout d'abord l'huile, puis rajouter l'essence.

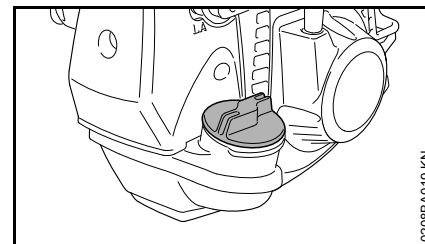
Exemples

Essence	Huile (STIHL 50:1 ou huiles de haute qualité équivalentes)	
litres	litres	(ml)
1	0.02	(20)
5	0.10	(100)
10	0.20	(200)
15	0.30	(300)
20	0.40	(400)
25	0.50	(500)

Entreposer les bidons remplis de mélange exclusivement à un endroit autorisé pour le stockage de carburants.

Ravitaillement en carburant

Bouchon de réservoir à carburant

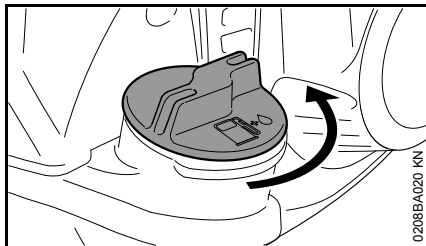


! AVERTISSEMENT

Pour refaire le plein sur un terrain en pente, toujours orienter la machine de telle sorte que le bouchon du réservoir à carburant se trouve en amont, par rapport à la déclivité.

- Sur un terrain plat, poser la machine de telle sorte que le bouchon soit orienté vers le haut.
- Avant de faire le plein, nettoyer le bouchon du réservoir et son voisinage, afin qu'aucune impureté ne risque de pénétrer dans le réservoir à carburant.

Ouverture du bouchon du réservoir



- Tourner le bouchon dans le sens inverse des aiguilles d'une montre jusqu'à ce qu'il puisse être enlevé de l'orifice du réservoir ;
- enlever le bouchon du réservoir ;

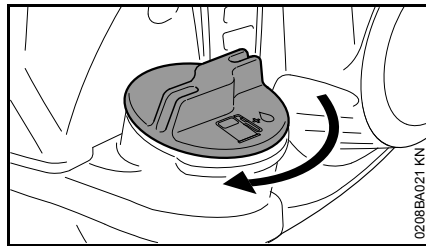
Ravitaillement en carburant

En faisant le plein, ne pas renverser du carburant et ne pas remplir le réservoir jusqu'au bord.

STIHL recommande d'utiliser le système de remplissage STIHL pour carburant (accessoire optionnel).

- refaire le plein de carburant ;

Fermeture du bouchon du réservoir



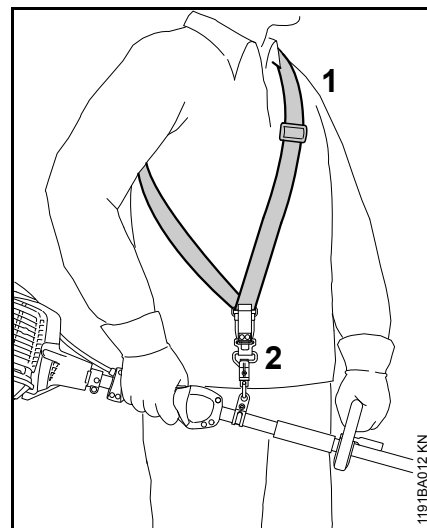
- présenter le bouchon sur l'orifice ;
- tourner le bouchon dans le sens des aiguilles d'une montre, jusqu'en butée, puis le serrer le plus fermement possible, à la main.

Utilisation du harnais

Le type et la version du harnais diffèrent suivant les marchés.

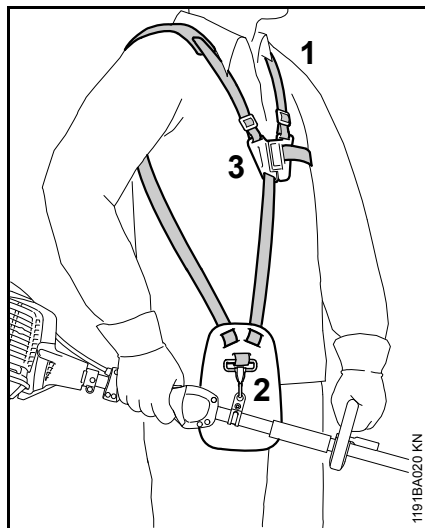
Pour l'utilisation du harnais – voir chapitre « Combinaisons autorisées d'outil de coupe, de capot protecteur, de poignée et de harnais ».

Harnais simple



- Mettre le harnais simple (1) ;
- régler la longueur de la sangle de telle sorte que le mousqueton (2) se trouve environ à une largeur de paume en dessous de la hanche droite ;
- équilibrer la machine.

Harnais double

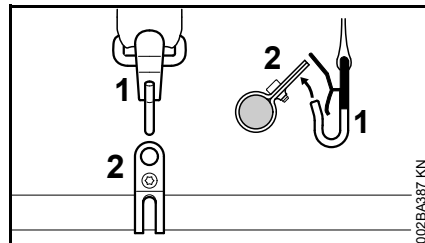


- Mettre le harnais double (1) ;
- régler la longueur de la sangle de telle sorte que le mousqueton (2) se trouve environ à une largeur de paume en dessous de la hanche droite ;
- équilibrer la machine.

Équilibrage

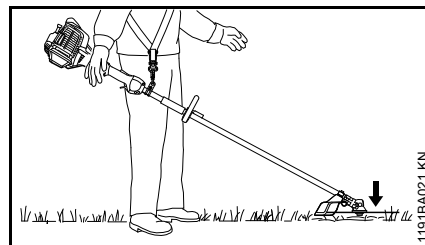
Le type et la version du harnais et du mousqueton diffèrent suivant les marchés.

Accrochage de la machine au harnais



- Accrocher le mousqueton (1) à l'anneau de suspension (2) fixé sur le tube.

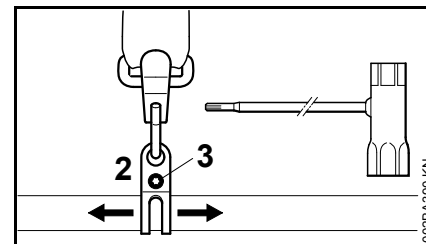
Position d'équilibre



- Les têtes faucheuses et les couteaux à herbe doivent légèrement porter sur le sol.

Pour obtenir la position d'équilibre, procéder comme suit :

Équilibrage de la machine

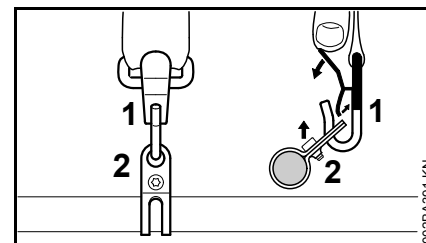


- Desserrer la vis (3) ;
- faire coulisser l'anneau de suspension (2) – resserrer légèrement la vis – laisser la machine s'équilibrer – contrôler la position d'équilibre.

Une fois que la position d'équilibre est correcte :

- serrer fermement la vis de l'anneau de suspension.

Décrochage de la machine du harnais



- Appuyer sur la languette du mousqueton (1) et sortir l'anneau de suspension (2) du mousqueton.

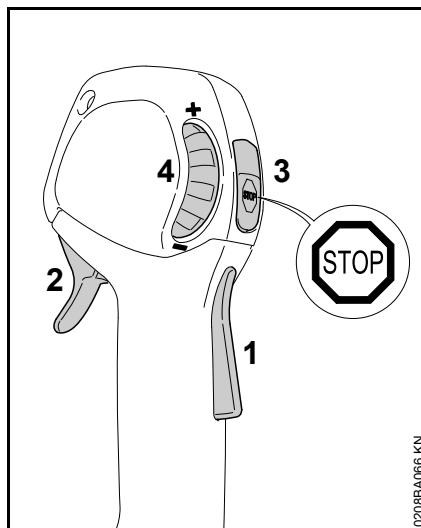
Dégagement rapide


AVERTISSEMENT

En cas de danger imminent, il faut se dégager rapidement de la machine et la jeter loin de soi. Pour se dégager de la machine, procéder comme indiqué au chapitre « Décrochage de la machine du harnais ». S'entraîner pour pouvoir se dégager rapidement de la machine. Lors de cet exercice, ne pas jeter la machine sur le sol, pour ne pas risquer de l'endommager.

Mise en route / arrêt du moteur

Éléments de commande

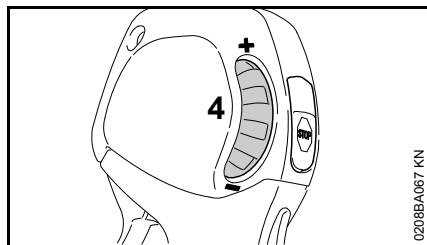


- 1 Blocage de gâchette d'accélérateur
- 2 Gâchette d'accélérateur
- 3 Bouton d'arrêt – avec les positions pour **marche normale** et **Stop** = arrêt. Pour couper le contact, il faut enfoncer le bouton d'arrêt () – voir « Fonctionnement du bouton d'arrêt et de l'allumage ».
- 4 Molette de réglage – pour limitation de la course de la gâchette d'accélérateur – voir « Fonction de la molette de réglage »

Fonctionnement du bouton d'arrêt et de l'allumage

Lorsqu'on actionne le bouton d'arrêt, le contact est coupé et le moteur s'arrête. Après le relâchement du bouton d'arrêt, ce dernier repasse en position de **marche normale** : une fois que le moteur est arrêté, le bouton d'arrêt étant revenu en position de marche normale, le contact d'allumage est remis automatiquement – le moteur est prêt à démarrer et peut être lancé.

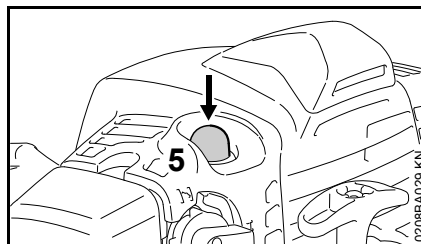
Fonction de la molette de réglage



La molette de réglage (4) permet de régler, en continu, la course de la gâchette d'accélérateur et ainsi la plage de régimes du moteur, entre le ralenti et la position pleins gaz :

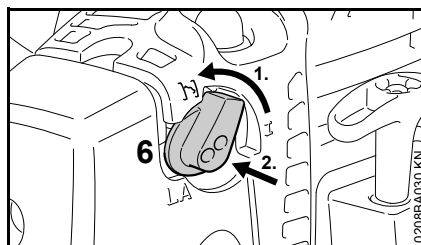
- si l'on tourne la molette de réglage (4) dans le sens - : la course de la gâchette d'accélérateur est réduite, le régime moteur maximal est réglé à un niveau inférieur ;
- si l'on tourne la molette de réglage (4) dans le sens + : la course de la gâchette d'accélérateur augmente, le régime moteur maximal est réglé à un niveau supérieur ;
- en enfonçant vigoureusement la gâchette d'accélérateur à fond, malgré la limitation réglée, on peut cependant accélérer à pleins gaz. La limitation réglée reste alors activée – c'est-à-dire qu'après le relâchement de la gâchette d'accélérateur on se retrouve dans la plage de régimes préalablement réglée.

Mise en route du moteur



- Enfoncer au moins 5 fois le soufflet de la pompe d'amorçage manuelle (5) – même si le soufflet est rempli de carburant ;

Moteur froid (démarrage à froid)



- tourner le bouton de starter (6) dans la position **I** ;

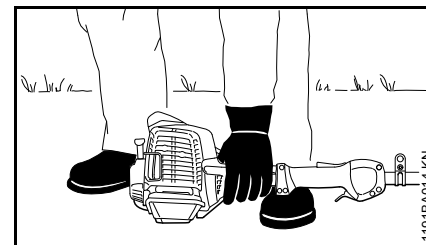
Ce réglage est également valable si le moteur a déjà tourné mais est encore froid.

- tourner la molette de réglage à fond dans le sens + ;

Moteur très chaud (démarrage à chaud)

- laisser le bouton de starter (6) dans la position **I**.

Lancement du moteur



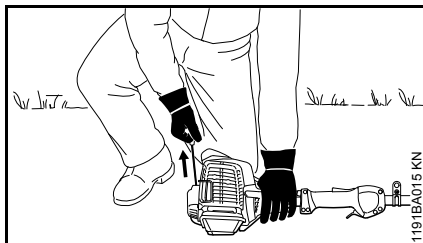
- Poser la machine sur le sol, dans une position sûre : la patte d'appui du moteur et le capot protecteur de l'outil de coupe servent d'appuis ;
- si la machine en est équipée : enlever le protecteur de transport de l'outil de coupe ;

L'outil de coupe ne doit entrer en contact ni avec le sol, ni avec un objet quelconque – **risque d'accident !**

- se tenir dans une position bien stable – différentes positions possibles : debout, penché en avant ou à genoux ;
- avec la main gauche, plaquer **fermement** la machine sur le sol – en ne touchant ni à la gâchette d'accélérateur, ni au blocage de gâchette d'accélérateur ou au bouton d'arrêt ;



Ne pas poser le pied ou le genou sur le tube !



- avec la main droite, saisir la poignée du lanceur ;
- tirer lentement la poignée du lanceur jusqu'à la première résistance perceptible, puis tirer vigoureusement d'un coup sec ;



Ne pas sortir le câble sur toute sa longueur – il **risquerait de casser** !

- ne pas lâcher la poignée du lanceur – la guider à la main dans le sens opposé à la traction, de telle sorte que le câble de lancement puisse s'enrouler correctement ;
- lancer le moteur jusqu'à ce qu'il démarre ;

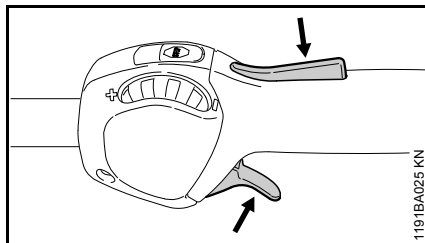
Dès que le moteur tourne

À des températures inférieures à +10 °C (+50 °F) :

faire chauffer la machine pendant au moins 10 secondes en position **I**.

À des températures supérieures à +10 °C (+50 °F) :

faire chauffer la machine pendant env. 5 secondes en position **I**.



- enfoncer le blocage de gâchette d'accélérateur et accélérer – le bouton tournant de starter revient dans la position de marche normale **I**.

Après un **démarrage à froid**, faire chauffer le moteur en donnant quelques coups d'accélérateur.

! AVERTISSEMENT

Si le carburateur est correctement réglé, l'outil de coupe ne doit pas tourner au ralenti !

La machine est prête à l'utilisation.

Arrêt du moteur

- Actionner le bouton d'arrêt – le moteur s'arrête – relâcher le bouton d'arrêt – le bouton d'arrêt revient dans la position initiale, sous l'effet de son ressort.

Indications complémentaires concernant la mise en route du moteur

Si le moteur cale en position de démarrage à froid **I**

- Enfoncer le blocage de gâchette d'accélérateur et accélérer – le bouton tournant de starter revient dans la position de marche normale **I** ;
- relancer le moteur en position **I**, jusqu'à ce qu'il démarre.

Si le moteur tournant en position de démarrage à froid **I** cale à l'accélération

- Relancer le moteur en position de démarrage à froid **I**, jusqu'à ce qu'il démarre.

Si le moteur ne démarre pas

- Contrôler si tous les éléments de commande sont réglés correctement ;
- contrôler s'il y a du carburant dans le réservoir, refaire le plein si nécessaire ;
- contrôler si le contact du câble d'allumage est fermement emboîté sur la bougie ;
- répéter la procédure de mise en route du moteur.

Si le moteur est noyé

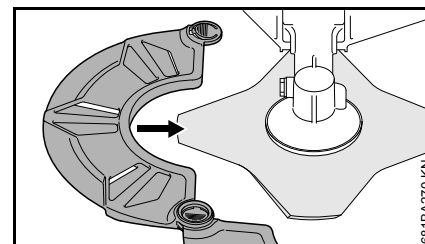
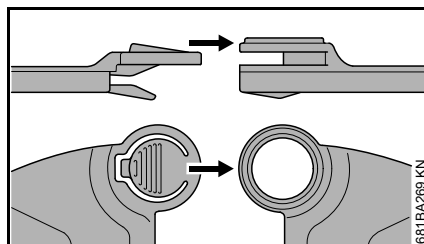
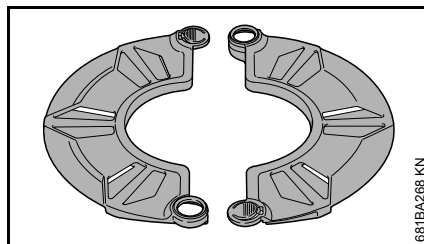
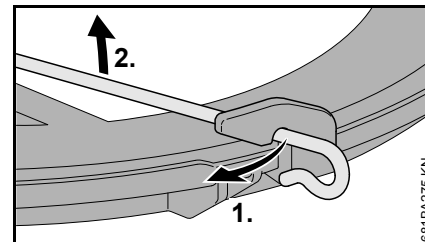
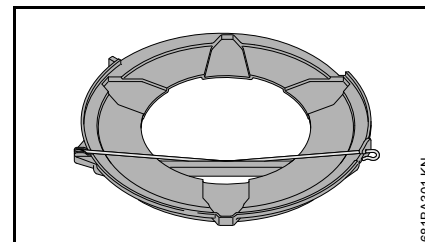
- Placer le levier du volet de starter en position **I** – continuer de lancer le moteur jusqu'à ce qu'il démarre.

Si le moteur est tombé en panne sèche

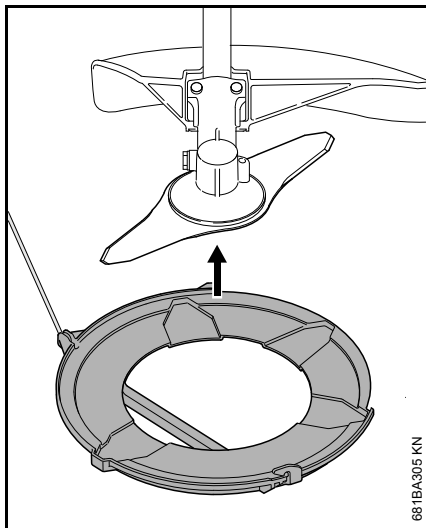
- Après avoir fait le plein, enfoncer au moins 5 fois le soufflet de la pompe d'amorçage – même si le soufflet est rempli de carburant ;
- tourner le bouton de starter dans la position requise en fonction de la température du moteur ;
- redémarrer le moteur.

Transport de l'appareil**Utilisation du protecteur de transport**

Le type du protecteur de transport joint à la livraison de la machine dépend du type d'outil de coupe métallique. Des protecteurs de transport sont également livrables en tant qu'accessoires optionnels.

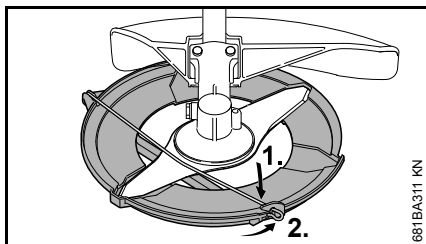
Couteaux à herbe 230 mm**Couteaux à herbe jusqu'à 260 mm**

- Décrocher l'étrier de fixation du protecteur de transport ;
- faire pivoter l'étrier de fixation vers l'extérieur ;



681EBA305 KN

- appliquer le protecteur de transport sur l'outil de coupe, par le bas ;



681EBA311 KN

- accrocher l'étrier de fixation sur le protecteur de transport ;
- faire pivoter l'étrier de fixation vers l'intérieur.

Instructions de service

Au cours de la première période d'utilisation

Jusqu'à épuisement des trois premiers pleins du réservoir, ne pas faire tourner le dispositif à moteur neuf à haut régime, à vide, afin d'éviter une sollicitation supplémentaire au cours du rodage. Durant le rodage, les éléments mobiles doivent s'adapter les uns aux autres – les frictions à l'intérieur du bloc-moteur offrent une résistance assez élevée. Le moteur n'atteint sa puissance maximale qu'au bout d'une période d'utilisation correspondant à la consommation de 5 à 15 pleins du réservoir.

Au cours du travail

Après une assez longue phase de fonctionnement à pleine charge, laisser le moteur tourner au ralenti pendant quelques instants – le plus gros de la chaleur est alors dissipé par le flux d'air de refroidissement, ce qui évite une accumulation de chaleur qui soumettrait les pièces rapportées sur le bloc-moteur (allumage, carburateur) à des sollicitations thermiques extrêmes.

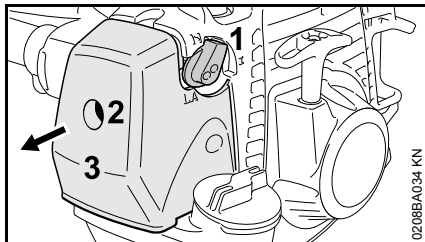
Après le travail

Pour une courte période d'immobilisation : laisser le moteur refroidir. Veiller à ce que le réservoir à carburant soit complètement vide et, jusqu'à la prochaine utilisation, ranger le dispositif à un endroit sec, à l'écart de

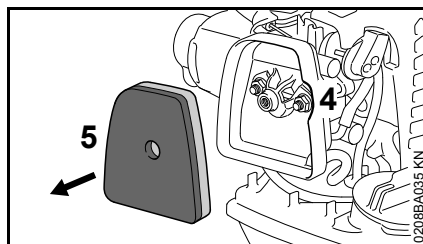
toute source d'inflammation. Pour une assez longue période d'immobilisation – voir « Rangement du dispositif » !

Nettoyage du filtre à air

Si la puissance du moteur baisse sensiblement



- Tourner le bouton de starter (1) dans la position \uparrow ;
- tourner la vis (2) du couvercle de filtre (3), dans le sens inverse des aiguilles d'une montre, jusqu'à ce que le couvercle soit desserré ;
- enlever le couvercle de filtre (3) ;
- nettoyer grossièrement le voisinage du filtre ;



- engager les doigts dans l'échancrure (4) du boîtier du filtre et sortir le filtre en feutre (5) ;
- remplacer le filtre en feutre (5) – pour un dépannage provisoire, le battre ou le nettoyer à la soufflette – ne pas le laver ;



AVIS

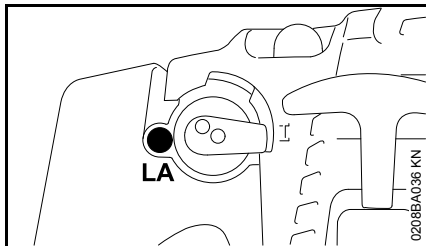
Remplacer les pièces endommagées !

- mettre le filtre en feutre (5) dans le boîtier de filtre ;
- tourner le bouton de starter (1) dans la position \uparrow ;
- poser le couvercle de filtre (3) – en veillant à ce que la vis (2) ne soit pas gauchie – visser la vis.

Gestion moteur

La régulation des émissions de nuisances à l'échappement est assurée par la définition des paramètres et la configuration des composants du moteur de base (par ex. carburation, allumage, calage de l'allumage et de la distribution), sans aucun autre composant important.

Réglage du carburateur



Départ usine, le carburateur de la machine est ajusté de telle sorte que dans toutes les conditions de fonctionnement le moteur soit alimenté avec un mélange carburé de composition optimale.

Réglage du régime de ralenti

Si le moteur cale au ralenti

- tourner lentement la vis de butée de réglage de régime de ralenti (LA) dans le sens des aiguilles d'une montre jusqu'à ce que le moteur tourne rond.

Si l'outil de coupe est entraîné au ralenti

- tourner lentement la vis de butée de réglage de régime de ralenti (LA) dans le sens inverse des aiguilles d'une montre jusqu'à ce que l'outil de coupe ne tourne plus.

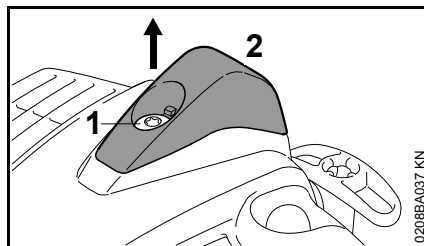
! AVERTISSEMENT

Si l'outil de coupe ne s'arrête pas au ralenti, malgré le réglage correct, faire réparer la machine par le revendeur spécialisé.

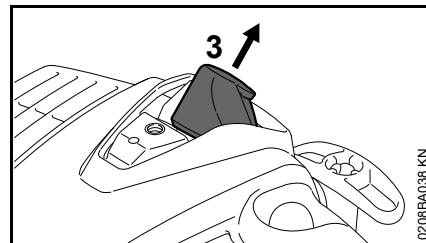
Bougie

- En cas de manque de puissance du moteur, de difficultés de démarrage ou de perturbations au ralenti, contrôler tout d'abord la bougie ;
- après env. 100 heures de fonctionnement, remplacer la bougie – la remplacer plus tôt si les électrodes sont fortement usées – utiliser exclusivement les bougies antiparasitées autorisées par STIHL – voir « Caractéristiques techniques ».

Démontage de la bougie

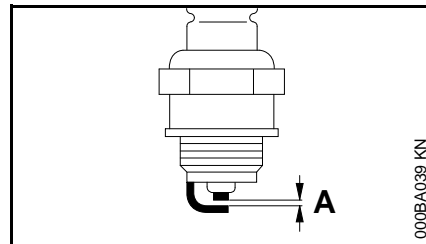


- Tourner la vis (1) du capuchon (2) jusqu'à ce que le capuchon puisse être enlevé ;
- enlever le capuchon ;



- enlever le contact de câble d'allumage de la bougie (3) ;
- dévisser la bougie.

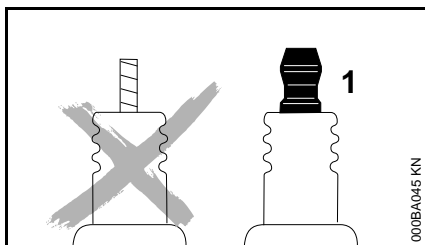
Contrôle de la bougie



- Nettoyer la bougie si elle est encrassée ;
- contrôler l'écartement des électrodes (A) et le rectifier si nécessaire – pour la valeur correcte, voir « Caractéristiques techniques » ;
- éliminer les causes de l'encrassement de la bougie.

Causes possibles :

- trop d'huile moteur dans le carburant ;
- filtre à air encrassé ;
- conditions d'utilisation défavorables.

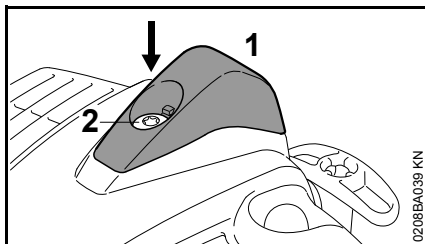


⚠ AVERTISSEMENT

Sur une bougie avec écrou de bougie séparé (1), il faut impérativement visser l'écrou sur le filetage et le serrer **fermement** – sinon, un jaillissement d'étincelles pourrait se produire **risque d'incendie** !

Montage de la bougie

- Visser et serrer la bougie ;
- emboîter **fermement** le contact de câble d'allumage sur la bougie ;



- mettre le capuchon (1) en place, visser et serrer la vis (2).

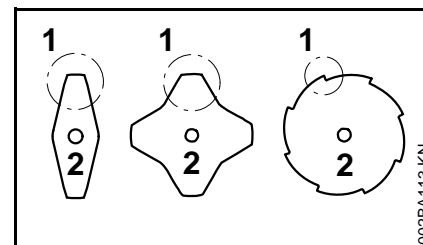
Rangement

Pour un arrêt de travail de 3 mois ou plus,

- vider et nettoyer le réservoir à carburant à un endroit bien aéré ;
- éliminer le carburant conformément à la législation et aux prescriptions pour la protection de l'environnement ;
- mettre le moteur en marche et le laisser tourner jusqu'à ce que le carburateur soit vide, sinon les membranes du carburateur risqueraient de se coller !
- enlever l'outil de coupe, le nettoyer et le contrôler. Traiter les outils de coupe métalliques avec de l'huile de protection ;
- nettoyer soigneusement la machine ;
- nettoyer le filtre à air ;
- conserver la machine à un endroit sec et sûr – la ranger de telle sorte qu'elle ne puisse pas être utilisée sans autorisation (par ex. par des enfants).

Affûtage des outils de coupe métalliques

- En cas d'usure minime, réaffûter les outils de coupe avec une lime d'affûtage « Accessoire optionnel » – en cas d'usure prononcée ou d'ébréchure, les réaffûter avec une affûteuse ou les faire réaffûter par le revendeur spécialisé – STIHL recommande de s'adresser au revendeur spécialisé STIHL ;
- affûter assez souvent, mais en enlevant peu de matière : pour un simple réaffûtage, il suffit généralement de donner deux ou trois coups de lime ;



- affûter uniformément les lames (1) du couteau – ne pas modifier le contour du corps de l'outil (2).

D'autres instructions à suivre pour l'affûtage sont imprimées sur l'emballage de l'outil de coupe. C'est pourquoi il faut conserver précieusement l'emballage.

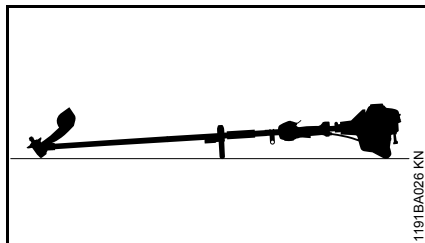
Équilibrage

- Après le 5^e réaffûtage, environ, contrôler le balourd avec l'équilibreuse STIHL « Accessoire optionnel » – au besoin, rééquilibrer

l'outil de coupe ou le faire rééquilibrer par le revendeur spécialisé – STIHL recommande de s'adresser au revendeur spécialisé STIHL.

Entretien de la tête faucheuse

Pose de la machine sur le sol



- Arrêter le moteur ;
- poser la machine de telle sorte que la prise pour outil de coupe soit orientée vers le haut.

Remplacement du fil de coupe

Avant de remplacer le fil de coupe, il faut impérativement vérifier si la tête faucheuse n'est pas usée.

AVERTISSEMENT

Si l'on constate des traces d'usure prononcées, il faut remplacer la tête faucheuse complète.

Ci-après, le fil de coupe est simplement appelé « fil ».

La tête faucheuse est livrée avec un folio illustré montrant la procédure à suivre pour le remplacement des fils. C'est pourquoi il faut précieusement conserver ces instructions spécifiques à cette tête faucheuse.

- Au besoin, démonter la tête faucheuse.

Ajustage du fil de coupe

STIHL SuperCut

Le fil de coupe est débité automatiquement au cours des travaux de fauchage à condition que la longueur de fil qui dépasse encore atteigne **au moins 6 cm (2,5 po)** – et, s'il devient trop long, il est rogné à la longueur optimale par le couteau monté sur le capot protecteur.

STIHL AutoCut

- Le moteur étant en marche, tenir la machine au-dessus d'une surface de gazon – la tête faucheuse doit tourner ;
- frapper la tête faucheuse sur le sol – la bobine débite une certaine longueur de fil de coupe et l'extrémité du fil est rognée à la longueur correcte par le couteau monté sur le capot protecteur.

Chaque fois que l'on frappe la tête faucheuse sur le sol, cela fait débiter une certaine longueur de fil. C'est pourquoi il faut surveiller le rendement de coupe de la tête faucheuse au cours du travail. Si l'on frappe trop souvent la tête faucheuse sur le sol, des morceaux de fil sont inutilement rognés par le couteau.

La sortie automatique du fil n'est toutefois possible que si les deux extrémités du fil qui dépassent encore atteignent une longueur minimale de **2,5 cm (1 po)**.

Remplacement du fil de coupe

STIHL PolyCut

À la place des couteaux, sur la tête faucheuse PolyCut, on peut aussi accrocher un brin de fil coupé à la longueur requise.

STIHL DuroCut, STIHL PolyCut

! AVERTISSEMENT

Pour recharger la tête faucheuse à la main, il faut impérativement arrêter le moteur – **risque de blessure !**

- Monter des brins de fil de la longueur requise sur la tête faucheuse, comme décrit sur le folio joint.

Remplacement des couteaux

STIHL PolyCut

Avant de remplacer les couteaux de la tête faucheuse, il faut impérativement vérifier si la tête faucheuse n'est pas usée.

! AVERTISSEMENT

Si l'on constate des traces d'usure prononcées, il faut remplacer la tête faucheuse complète.

Ci-après, les couteaux de la tête faucheuse sont simplement appelés « couteaux ».

La tête faucheuse est livrée avec un folio illustré montrant la procédure à suivre pour le remplacement des couteaux.

C'est pourquoi il faut précieusement conserver ces instructions spécifiques à cette tête faucheuse.

! AVERTISSEMENT

Pour recharger la tête faucheuse à la main, il faut impérativement arrêter le moteur – **risque de blessure !**

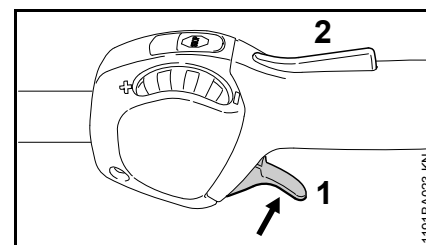
- Démontez la tête faucheuse ;
- remplacer les couteaux comme indiqué sur la notice illustrée ;
- remonter la tête faucheuse.

Contrôle et maintenance par l'utilisateur

Câble de commande des gaz

Contrôle du réglage du câble de commande des gaz

Symptôme de défaut : le régime du moteur augmente lorsqu'on enfonce **seulement** la gâchette d'accélérateur.



- Mettre le moteur en marche ;
- enfoncer la gâchette d'accélérateur (1) – **sans** actionner le blocage de gâchette d'accélérateur (2) ;

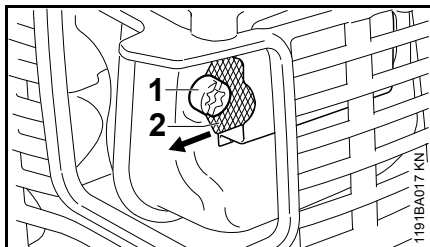
Si dans ce cas le régime du moteur s'élève et/ou que l'outil de coupe est entraîné, il est impérativement nécessaire de régler le câble de commande des gaz.

- arrêter le moteur ;
- faire régler le câble de commande des gaz par le revendeur spécialisé. STIHL recommande de s'adresser au revendeur spécialisé STIHL

Grille pare-étincelles dans le silencieux

Si la puissance du moteur baisse, contrôler la grille pare-étincelles du silencieux.

- Laisser le silencieux refroidir ;



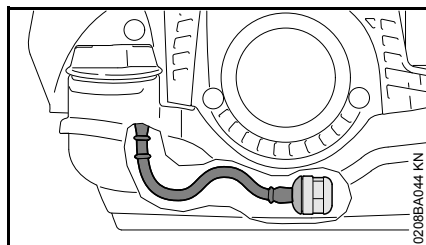
- dévisser la vis (1) ;
- soulever la grille pare-étincelles (2) et l'extraire ;
- si la grille pare-étincelles du silencieux est encrassée, la nettoyer – si elle est endommagée ou fortement calaminée, la remplacer ;
- monter la grille pare-étincelles ;
- visser et serrer la vis.

Contrôle et maintenance par le revendeur spécialisé

Travaux de maintenance

STIHL recommande de faire effectuer les opérations de maintenance et les réparations exclusivement chez le revendeur spécialisé STIHL.

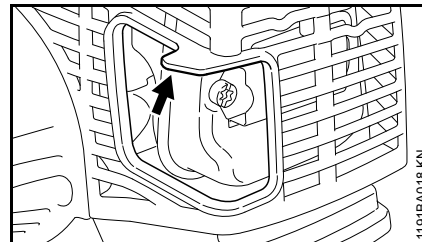
Crépine d'aspiration du réservoir à carburant



- Faire contrôler, et remplacer si nécessaire, la crépine d'aspiration du réservoir à carburant une fois par an.

À l'intérieur du réservoir à carburant, la crépine d'aspiration doit se trouver dans la zone montrée sur l'illustration.

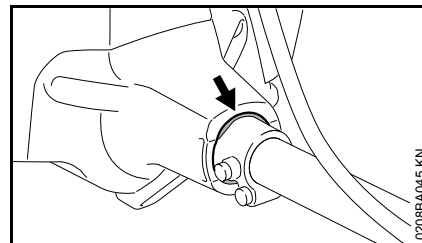
Pièce d'écartement



La pièce d'écartement (flèche) est moulée sur le capot.

- S'assurer que la pièce d'écartement (1) n'est pas endommagée ;
- si la pièce d'écartement (1) est endommagée, remplacer immédiatement le capot.

Élément antivibratoire



Un élément en caoutchouc amortissant les vibrations est intercalé entre l'ensemble moteur et le tube. Les faire vérifier s'ils présentent des traces d'usure visibles ou si une élévation permanente du taux de vibrations devient perceptible.

Instructions pour la maintenance et l'entretien

Les indications ci-après sont valables pour des conditions d'utilisation normales. Pour des conditions plus difficiles (ambiance très poussiéreuse etc.) et des journées de travail plus longues, réduire en conséquence les intervalles indiqués.		avant de commencer le travail	après le travail ou une fois par jour	après chaque ravitaillement	une fois par semaine	une fois par mois	une fois par an	en cas de panne	en cas de détérioration	au besoin
Machine complète	Contrôle visuel (état impeccable pour un fonctionnement en toute sécurité, étanchéité)	X		X						
	Nettoyage		X							
	Remplacement des pièces endommagées	X								
Poignée de commande	Contrôle du fonctionnement	X		X						
Filtre à air	Contrôle visuel					X		X		
	Nettoyage du boîtier de filtre									X
	Remplacer le filtre en feutre ¹⁾								X	X
Réservoir à carburant	Nettoyage					X		X	X	
Pompe d'amorçage manuelle (si la machine en est équipée)	Contrôle	X								
	Remise en état par revendeur spécialisé ²⁾								X	
Crépine d'aspiration dans le réservoir à carburant	Contrôle par revendeur spécialisé ²⁾							X		
	Remplacement par revendeur spécialisé ²⁾						X		X	X
Carburateur	Contrôle du ralenti, l'outil de coupe ne doit pas être entraîné	X		X						
	Réglage du ralenti									X
Bougie	Réglage de l'écartement des électrodes							X		
	Remplacement toutes les 100 heures de fonctionnement									
Orifice d'aspiration d'air de refroidissement	Contrôle visuel		X							
	Nettoyage									X
Ailettes du cylindre	Nettoyage par le revendeur spécialisé ²⁾						X			

Les indications ci-après sont valables pour des conditions d'utilisation normales. Pour des conditions plus difficiles (ambiance très poussiéreuse etc.) et des journées de travail plus longues, réduire en conséquence les intervalles indiqués.		avant de commencer le travail	après le travail ou une fois par jour	après chaque ravitaillement	une fois par semaine	une fois par mois	une fois par an	en cas de panne	en cas de détérioration	au besoin
Grille pare-étincelles dans le silencieux	Contrôle		X					X		
	Nettoyage ou remplacement								X	X
Pièce d'écartement moulée sur le capot	Contrôle ³⁾	X								
	Capot, remplacement par revendeur spécialisé ²⁾	X						X		
Canal d'échappement	Décalaminage au bout de 139 h de fonctionnement, puis toutes les 150 h, par le revendeur spécialisé ²⁾									X
Vis et écrous accessibles (sauf les vis de réglage)	Resserrage									X
Éléments antivibratoires	Contrôle visuel ⁴⁾	X						X		X
	par le revendeur spécialisé ²⁾								X	
Outil de coupe	Contrôle visuel	X		X						
	Remplacement								X	
	Contrôle du serrage	X		X						
Outil de coupe métallique	Affûtage	X								X
Étiquettes de sécurité	Remplacement								X	

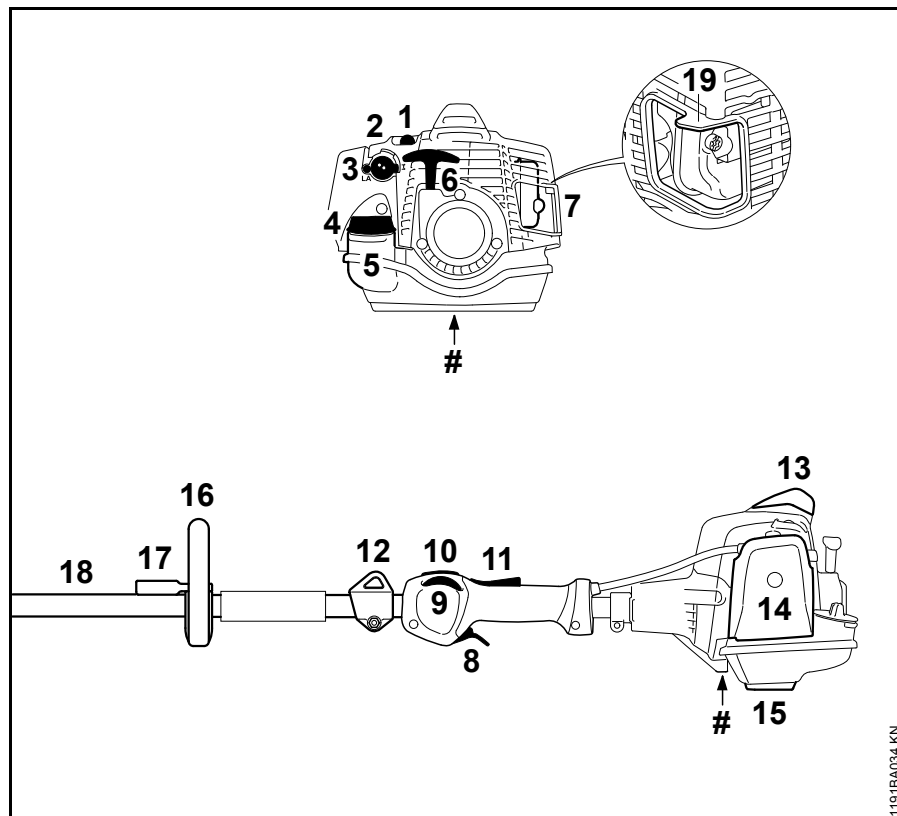
1) Seulement si la puissance du moteur baisse sensiblement

2) STIHL recommande de s'adresser au revendeur spécialisé STIHL

3) Voir le chapitre « Contrôle et maintenance par le revendeur spécialisé », section « Pièce d'écartement »

4) Voir le chapitre « Contrôle et maintenance par le revendeur spécialisé », section « Éléments antivibratoires »

Principales pièces



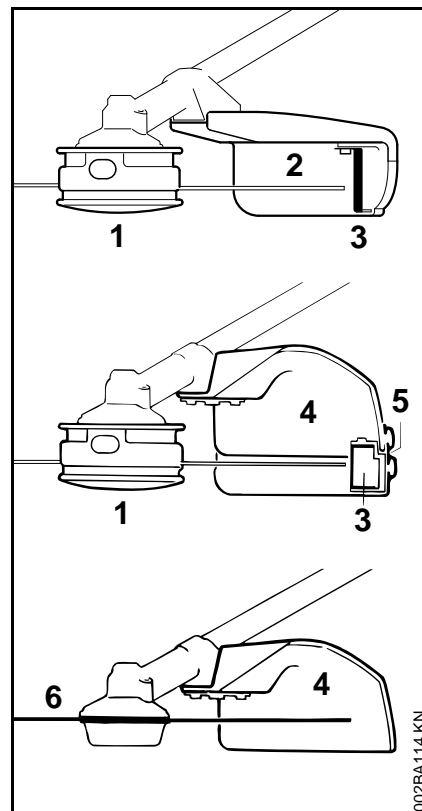
- 1 Pompe d'amorçage manuelle
- 2 Bouton du volet de starter
- 3 Vis de réglage du carburateur
- 4 Bouchon du réservoir à carburant
- 5 Réservoir à carburant
- 6 Poignée de lancement
- 7 Silencieux avec grille pare-étincelles
- 8 Gâchette d'accélérateur
- 9 Molette de réglage
- 10 Bouton d'arrêt
- 11 Blocage de gâchette d'accélérateur
- 12 Anneau de suspension
- 13 Capuchon avec contact de câble d'allumage sur bougie
- 14 Couvercle du filtre à air
- 15 Patte d'appui de la machine
- 16 Poignée circulaire
- 17 Protection
- 18 Tube
- 19 Pièce d'écartement sur le capot
- # Numéro de série

1191BA034 KN

Définitions

1. **Pompe d'amorçage manuelle**
Assure une alimentation en carburant supplémentaire pour le démarrage à froid.
2. **Levier du volet de starter**
Facilite le démarrage du moteur par un enrichissement du mélange carburé.
3. **Vis de réglage du carburateur**
Pour le réglage du carburateur.
4. **Bouchon du réservoir à carburant**
Pour fermer le réservoir à carburant.
5. **Réservoir à carburant**
Pour le mélange d'essence et d'huile.
6. **Poignée de lancement**
La poignée du dispositif de lancement qui sert à la mise en route du moteur.
7. **Silencieux avec grille pare-étincelles**
Le silencieux atténue les bruits d'échappement et dirige les gaz d'échappement dans le sens opposé à l'utilisateur. La grille pare-étincelles sert à réduire le risque d'incendie.
8. **Gâchette d'accélérateur**
Contrôle le régime du moteur.
9. **Molette de réglage**
Limite la position d'actionnement maximum de la gâchette d'accélérateur.

10. **Bouton d'arrêt**
Le commutateur coupe le circuit du système d'allumage du moteur et arrête le moteur.
11. **Blocage de gâchette d'accélérateur**
Il faut l'enfoncer pour pouvoir actionner la gâchette d'accélérateur.
12. **Anneau de suspension**
Pour attacher la débroussailleuse au harnais.
13. **Capuchon avec contact de câble d'allumage sur bougie**
Connecte la bougie avec le câble d'allumage.
14. **Couvercle du filtre à air**
Recouvre et protège le filtre à air.
15. **Patte d'appui de la machine**
Pour immobiliser la machine lorsqu'elle est posée sur le sol.
16. **Poignée circulaire**
Pour le guidage facile de la machine, pour travailler en sécurité avec l'outil de coupe.
17. **Protection**
Pour garder la distance de sécurité entre l'outil de coupe et les pieds et jambes de l'utilisateur.
18. **Tube**
Renferme et protège l'arbre d'entraînement entre le moteur et le réducteur.
19. **Pièce d'écartement sur le capot**
Conçue pour réduire les risques de brûlure et d'incendie.



- 1 Tête faucheuse
- 2 Capot protecteur pour têtes faucheuses
- 3 Couteau rogneur
- 4 Capot protecteur avec tablier pour toutes les têtes faucheuses
- 5 Tablier
- 6 Outil de fauchage métallique

Définitions**1 Tête faucheuse**

L'outil de coupe, par ex. une tête faucheuse pour différentes utilisations.

2 Capot protecteur pour têtes faucheuses

Le capot protecteur réduit le risque d'être blessé par des corps étrangers projetés en arrière, vers l'utilisateur, par l'outil de coupe, ou par un contact avec l'outil de coupe.

3 Couteau rogneur

Couteau métallique fixé sur le capot protecteur pour rogner le fil de coupe de la tête faucheuse à la longueur correcte.

4 Capot protecteur avec tablier pour toutes les têtes faucheuses

Le capot protecteur réduit le risque d'être blessé par des corps étrangers projetés en arrière, vers l'utilisateur, par l'outil de coupe, ou par un contact avec l'outil de coupe. Il n'est pas conçu pour retenir les fragments d'outils de coupe métalliques.

5 Tablier

Le tablier rapporté au bas du capot protecteur doit être utilisé comme décrit au chapitre « Montage du capot protecteur ».

6 Outil de fauchage métallique

L'outil de coupe métallique, par ex. un couteau, pour différentes utilisations.

Caractéristiques techniques**EPA / CEPA**

L'étiquette d'homologation relative aux émissions de nuisances à l'échappement indique le nombre d'heures de fonctionnement durant lequel ce moteur satisfait aux exigences des normes antipollution fédérales.

Catégorie

A = 300 heures

B = 125 heures

C = 50 heures

Moteur

Moteur deux-temps, monocylindrique

Cylindrée : 24,1 cm³

Alésage du cylindre : 35 mm

Course du piston : 25 mm

Puissance suivant ISO 8893 : 0,9 kW à 8500 tr/min

Régime de ralenti : 2800 tr/min

Limitation de régime (valeur nominale) : 9800 tr/min

Régime max. de l'arbre de sortie (outil de coupe) : 7290 tr/min

Couple max. à un régime de (valeur nominale) : 1,3 Nm à 5000 tr/min

Dispositif d'allumage

Volant magnétique à commande électronique

Bougie (antiparasitée) : NGK CMR 6 H

Écartement des électrodes : 0,5 mm

Ce système d'allumage respecte toutes les exigences du règlement sur le matériel blindé du Canada ICES-002 (dispositions relatives à l'antiparasitage).

Dispositif d'alimentation

Carburateur à boisseau rotatif toutes positions avec pompe à carburant intégrée

Capacité du réservoir à carburant : 540 cm³ (0,54 l)

Poids

réservoir vide, sans outil de coupe ni capot protecteur

FS 94 R : 4,6 kg

Longueur hors tout

sans outil de coupe : 1780 mm

Caractéristiques d'équipement

R Poignée circulaire

Z Équipement de protection contre le risque d'incendie


Instructions pour les réparations

L'utilisateur de ce dispositif est autorisé à effectuer uniquement les opérations de maintenance et les réparations décrites dans la présente Notice d'emploi. Les réparations plus poussées ne doivent être effectuées que par le revendeur spécialisé.

STIHL recommande de faire effectuer les opérations de maintenance et les réparations exclusivement chez le revendeur spécialisé STIHL. Les revendeurs spécialisés STIHL participent régulièrement à des stages de perfectionnement et ont à leur disposition les informations techniques requises.

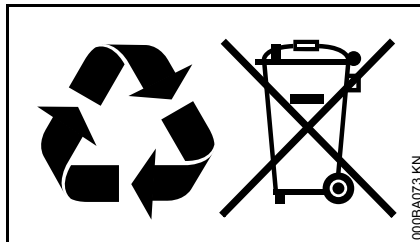
Pour les réparations, monter exclusivement des pièces de rechange autorisées par STIHL pour ce dispositif ou des pièces similaires du point de vue technique. Utiliser exclusivement des pièces de rechange de haute qualité. Sinon, des accidents pourraient survenir et le dispositif risquerait d'être endommagé.

STIHL recommande d'utiliser des pièces de rechange d'origine STIHL.

Les pièces de rechange d'origine STIHL sont reconnaissables à leur référence de pièce de rechange STIHL, au nom **STIHL** et, le cas échéant, au symbole d'identification des pièces de rechange STIHL  (les petites pièces ne portent parfois que ce symbole).

Mise au rebut

Pour l'élimination des déchets, respecter les prescriptions nationales spécifiques.



Les produits STIHL ne doivent pas être jetés à la poubelle. Le produit STIHL, la batterie, les accessoires et leur emballage doivent être mis au recyclage.

Consulter le revendeur spécialisé STIHL pour obtenir les informations d'actualité concernant l'élimination écocompatibles des déchets.

Garantie de la Société STIHL Limited relative au système antipollution

Cette déclaration est fournie volontairement et elle se base sur l'accord conclu en avril 1999 entre l'Office de l'Environnement du Canada et STIHL Limited.

Vos droits et obligations dans le cadre de la garantie

STIHL Limited expose ici la garantie relative au système antipollution du moteur de votre type de moteur. Au Canada, sur le plan construction et équipement, les moteurs neufs de petits dispositifs à moteur non-routiers, du millésime 1999 ou d'un millésime ultérieur, doivent, au moment de la vente, être conformes aux dispositions U.S. EPA pour petits moteurs qui ne sont pas destinés à des véhicules routiers. Le moteur du dispositif doit être exempt de vices de matériaux et de fabrication qui entraîneraient une non-conformité avec les dispositions U.S. EPA au cours des deux premières années de service du moteur, à dater de la vente au consommateur final.

Pour la période ci-dessus, STIHL Limited doit assumer la garantie sur le système antipollution du moteur de votre petit dispositif non-routier, à condition que votre moteur n'ait pas été utilisé de façon inadéquate et que sa maintenance n'ait pas été négligée ou incorrectement effectuée.

Votre système antipollution peut comprendre aussi des pièces telles que le carburateur ou le système d'injection de carburant, l'allumage et le catalyseur. Il peut aussi englober des flexibles,

courroies, raccords et autres composants influant sur les émissions de nuisances.

Dans un cas de garantie, STIHL Limited devra réparer le moteur de votre dispositif non-routier et ce, gratuitement pour vous. La garantie englobe le diagnostic (s'il est exécuté par un revendeur autorisé) ainsi que les pièces et la main-d'œuvre.

Durée de la garantie du fabricant

Au Canada, les moteurs de petits dispositifs à moteur non-routiers, du millésime 1999 ou d'un millésime ultérieur, bénéficient d'une garantie de deux ans. Si une pièce du système antipollution du moteur de votre dispositif s'avère défectueuse, elle est réparée ou remplacée gratuitement par STIHL Limited.

Obligations du propriétaire :

En tant que propriétaire du moteur du petit dispositif à moteur non-routier, vous êtes responsable de l'exécution de la maintenance indispensable prescrite dans la notice d'emploi de votre dispositif. STIHL Limited recommande de conserver toutes les quittances des opérations de maintenance exécutées sur le moteur de votre dispositif non-routier. STIHL Limited ne peut toutefois pas vous refuser une garantie sur votre moteur pour la seule raison que des quittances manqueraient ou que vous auriez négligé d'assurer l'exécution de toutes les opérations de maintenance prévues.

Pour la maintenance ou les réparations qui ne sont pas effectuées sous garantie, il est permis d'employer des pièces de rechange ou des méthodes de

travail assurant une exécution et une longévité équivalant à celles de l'équipement de première monte et ce, sans que cela réduise, pour le fabricant du moteur, l'obligation de fournir une garantie.

En tant que propriétaire du petit dispositif à moteur non-routier, vous devez toutefois savoir que STIHL Limited peut vous refuser la garantie si le moteur ou une partie du moteur de votre dispositif tombe en panne par suite d'une utilisation inadéquate, d'un manque de précaution, d'une maintenance incorrecte ou de modifications non autorisées.

Vous êtes tenu d'amener le moteur de votre petit dispositif à moteur non-routier à un centre de Service Après-Vente STIHL dès qu'un problème survient. Les travaux sous garantie seront exécutés dans un délai raisonnable qui ne devra pas dépasser 30 jours.

Si vous avez des questions concernant vos droits et obligations dans le cadre de la garantie, veuillez consulter un conseiller du Service Après-Vente STIHL (www.stihl.ca)

ou écrire à :

STIHL Ltd.,
1515 Sise Road
Box 5666
CA-LONDON ONTARIO ; N6A 4L6

Étendue de la garantie fournie par STIHL Limited

STIHL Limited garantit à l'acheteur final, et à tout acquéreur ultérieur, que le moteur de votre petit dispositif non-routier satisfait à toutes les prescriptions en vigueur au moment de la vente, sur le plan construction, fabrication et

équipement. STIHL Limited garantit en outre au premier acquéreur et à tous les acquéreurs ultérieurs, pour une période de deux ans, que votre moteur est exempt de tout vice de matériaux et de tout vice de fabrication entraînant une non-conformité avec les prescriptions en vigueur.

Période de garantie

La période de garantie commence le jour où le premier acheteur fait l'acquisition du moteur du dispositif et où vous avez retourné à STIHL Ltd. la carte de garantie portant votre signature. Si une pièce faisant partie du système antipollution de votre dispositif est défectueuse, la pièce est remplacée gratuitement par STIHL Limited. Durant la période de garantie, une garantie est fournie pour toute pièce sous garantie qui ne doit pas être remplacée à l'occasion d'une opération de maintenance prescrite ou pour laquelle « la réparation ou le remplacement, si nécessaire » n'est prévu qu'à l'occasion de l'inspection périodique. Pour toute pièce sous garantie qui doit être remplacée dans le cadre d'une opération de maintenance prescrite, la garantie est fournie pour la période qui précède le premier remplacement prévu.

Diagnostic

Les coûts occasionnés pour le diagnostic ne sont pas facturés au propriétaire, si ce diagnostic confirme qu'une pièce sous garantie est défectueuse. Si, par contre, vous revendiquez un droit à la garantie pour une pièce et qu'une défectuosité n'est pas constatée au diagnostic, STIHL Limited vous facturera les coûts du test

des émissions de nuisances. Le diagnostic de la partie mécanique doit être exécuté par un revendeur spécialisé STIHL. Le test des émissions de nuisances peut être exécuté soit par

STIHL Incorporated,
536 Viking Drive, P.O. Box 2015,
Virginia Beach, VA 23452,

soit par un laboratoire indépendant.

Travaux sous garantie

STIHL Limited doit faire éliminer les défauts sous garantie par un revendeur spécialisé STIHL ou par une station de garantie. Tous les travaux seront effectués sans facturation au propriétaire, si l'on constate qu'une pièce sous garantie est effectivement défectueuse. Toute pièce autorisée par le fabricant ou pièce de rechange équivalente peut être utilisée pour toute opération de maintenance ou réparation sous garantie touchant une pièce du système antipollution et elle doit être mise gratuitement à la disposition du propriétaire, si la pièce en question est encore sous garantie. STIHL Limited assume la responsabilité de dommages causés à d'autres composants du moteur par la pièce encore couverte par la garantie.

La liste suivante précise les pièces couvertes par la garantie antipollution :

- Filtre à air
- Carburateur (le cas échéant)
- Pompe d'amorçage manuelle
- Starter (système d'enrichissement de démarrage à froid) (le cas échéant)
- Tringleries de commande

- Coude d'admission
- Volant magnétique ou allumage électronique (module d'allumage ou boîtier électronique)
- Rotor
- Bougie
- Injecteur (le cas échéant)
- Pompe d'injection (le cas échéant)
- Boîtier de papillon (le cas échéant)
- Cylindre
- Silencieux
- Catalyseur (le cas échéant)
- Réservoir à carburant
- Bouchon du réservoir à carburant
- Conduit de carburant
- Raccords du conduit de carburant
- Colliers
- Pièces de fixation

Pour faire valoir un droit à la garantie

Présenter le dispositif à un revendeur spécialisé STIHL, avec la carte de garantie signée.

Prescriptions de maintenance

Les prescriptions de maintenance qui figurent dans la présente Notice d'emploi présumant que l'on utilise le mélange d'essence et d'huile prescrit pour moteur deux-temps (voir aussi chapitre « Carburant »). En cas d'utilisation de carburants et d'huiles d'autre qualité ou d'un taux de mélange différent, il peut être nécessaire de raccourcir les intervalles de maintenance.

Restrictions

Cette garantie sur le système antipollution ne couvre pas :

1. les réparations et remplacements nécessaires par suite d'une utilisation inadéquate ou bien d'une négligence ou de l'omission des opérations de maintenance indispensables ;
2. les réparations exécutées incorrectement ou les remplacements effectués avec des pièces non conformes aux spécifications de STIHL Limited et ayant un effet défavorable sur le rendement et/ou la longévité, et les transformations ou modifications que STIHL Limited n'a ni recommandées, ni autorisées par écrit ;
3. le remplacement de pièces et d'autres prestations de services et réglages qui s'avèrent nécessaires dans le cadre des travaux de maintenance indispensables, à l'échéance du premier remplacement prévu, et par la suite.

0458-593-8221-A

CDN



www.stihl.com



0458-593-8221-A