



# Rear Discharge Tenders

## 10FT Trailer Mounted

Home of Worldwide Quality Blending, Conveying, Tending, & Spreading Products!



#304 Stainless Steel, Hopper

10" Stainless Steel Tube with Stainless Steel Flighted Auger

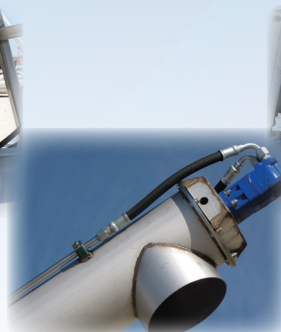


Single Hopper Twin Compartment Design

Fertilizer Auger Tender

Hydraulically Operated

Trailer Mounted



# Doyle Equipment Mfg. Co., Inc.

4001 Broadway, P.O. Box 3024, Quincy, IL 62305

Toll Free: 800-788-8085 Fax: 217-223-3655

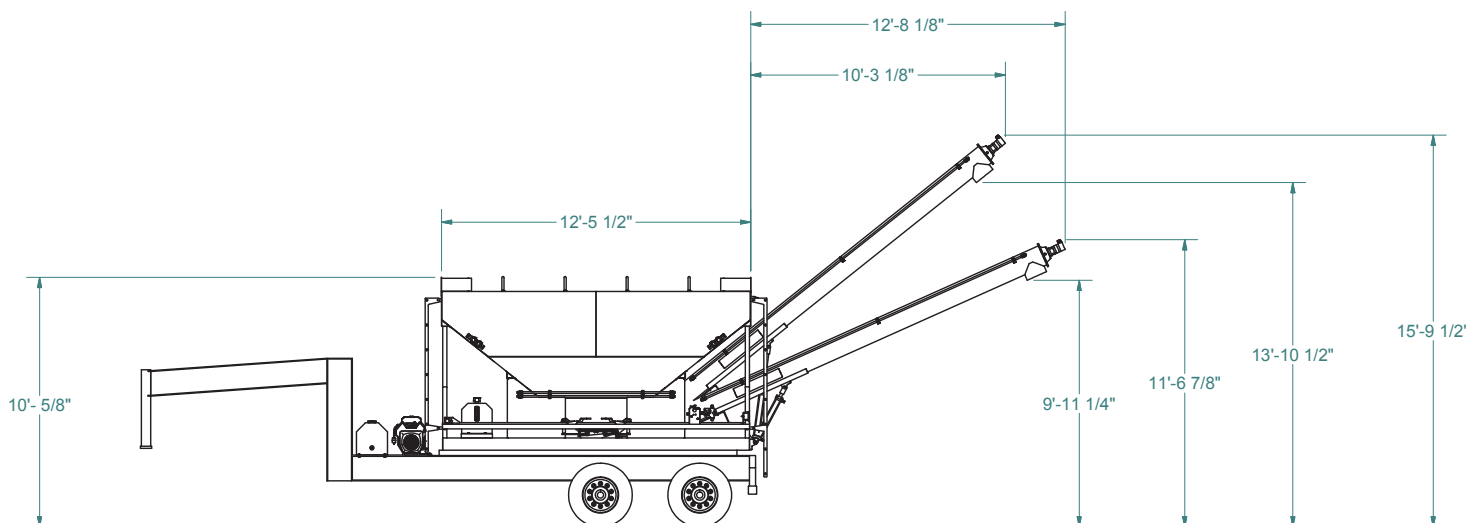
E-mail: [doyle@doylemfg.com](mailto:doyle@doylemfg.com) Web Site: [www.doylemfg.com](http://www.doylemfg.com)





## Capacity

**Hopper Capacity (water level)....330 cu.ft.**



### HOPPER DIMENSIONS

Hopper length..... 12.46 ft. (3.79 m)  
 Hopper width..... 8 ft. (2.44 m)

### AUGER SPECS

Tube size..... 10 in. (254 mm)  
 Discharge rate..... 3,500 lbs./min.... (1,588 kg/min.)  
 Discharge height (maximum)..... 13.875 ft.(4.22 m)  
 Discharge height (minimum)..... 9.9791 ft.(3.04 m)  
 Auger length..... 20 ft. (6.09 m)

### Standard Features:

- (2) 165 cu.ft. compartments in 12 ga. 304 stainless steel
- 10" x 12 ga. 304 stainless steel auger tube, and augers with SS flighting
- #304 stainless steel square tubing main frame
- 1.75 ton per minute discharge rate
- Stainless steel manually operated slide gates
- Tender with front and rear ladder
- 20 ft. hydraulically raised and lowered discharge auger, 14 foot discharge height
- Mild steel trailer fenders, with Doyle mud flaps
- 18.5 gallon hydraulic tank with temperature gauge, site glass, and large hydraulic filters, metal shot blasted and powder coated bright blue
- Hydraulic pump, cylinders, lines, hoses, and fittings
- Roll tarp with stainless steel end caps
- D.O.T. approved lights, tail and marker
- Factory assembled & tested