

MacDon

FD2

FlexDraper[®]



EM



CONTENTS

04 Harvesting Performance

06 Draper History

08 Follow

20 Cut

28 Feed

40 Ease

48 More

56 Specifications

58 Performance Parts

MORE



20%
MORE
CAPACITY

30%
MORE
SPEED

70%
MORE
FLEX

BIGGER. FASTER. FLEXIER.

More Capacity. More Speed. More Flex. The all-new FD2 gives you more of everything you need for harvesting performance from the company that brought you the Original FlexDraper®.

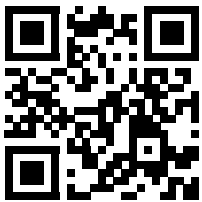
**Compared to previous model. Some products and/or options may not be available in all markets.*

HARVESTING PERFORMANCE

For over 70 years MacDon has been a world leader in technology, innovation, and manufacturing of high-performance harvesting equipment. Our harvesting history is rooted deep in the rich prairie heritage of Winnipeg, Manitoba, Canada. MacDon products are distributed and supported worldwide from offices in Canada, the United States, Australia, Russia, Brazil, and Germany.

MacDon's relentless pursuit of improvement is driven by the desire to make harvesting easier and more productive for farmers. Working directly with producers and custom harvesters in the toughest real-world conditions guides MacDon to pioneer industry-leading innovations like the FlexDraper®. MacDon has a worldwide reputation for excellence as *The Harvesting Specialists* and we are proud to make equipment that help producers harvest the crops that feed the world.

SCAN HERE






FD2 WEBSITE



Join us on Facebook, Twitter, YouTube, Instagram, and LinkedIn.



-  MacDon Head Office & Manufacturing
-  MacDon Offices
-  MacDon Products are Sold



MacDon Industries Ltd.

680 Moray Street
Winnipeg, Manitoba, Canada R3J 3S3
t. (204) 885-5590 f. (204) 832-7749

MacDon, Inc.

10708 North Pomona Avenue
Kansas City, Missouri, United States 64153-1924
t. (816) 891-7313 f. (816) 891-7323

MacDon Australia Pty. Ltd.

A.C.N. 079 393 721
P.O. Box 103 Somerton, Victoria, Australia 3062
54 National Boulevard, Campbellfield, Victoria,
Australia 3061
t. +61 3 8301 1911 f. +61 3 8301 1912

MacDon Brasil Agribusiness Ltda.

Rua Grã Nicco, 113, Sala 404, B. 04
Mossunguê, Curitiba, Paraná
Brasil CEP 81200-200
t. +55-41-2101-1713 f. +55-41-2101-1699

LLC MacDon Russia Ltd.

115054 Moscow, Russia
11 Shchipok St. Building 1
Floor 1, Office 7-1, Russian Federation
t. +7 495 775 6971 f. +7 495 967 7600

MacDon Europe GmbH

Clayallee 353A
14169 Berlin
Germany
t. +49-30-24 53 44 46



DRAPER HISTORY

1949

Our Draper history stretches all the way back to 1949. Known then as Killbery Industries Ltd., we produced one of North America's first self-propelled windrowers under the Grain-Saver brand name.

HARVEST HEADER

1988

In 1988 we started a revolution with the MacDon Harvest Header, this innovative product was the first Draper Header produced to be used with a combine.



974 FlexDraper® 2004

In 2004 we bent the rules, literally, with the invention of the FlexDraper®. The 974 FlexDraper® changed the harvesting landscape once again by adding Flex and Float to combine Draper Headers.

FD2 2021

Turning the industry upside down again, the FD2 delivers more of everything you need for harvesting performance. More Capacity, More Speed, More Flex, from the company that brought you the Original FlexDraper®.

I FOLLOW

A Ground Following Dream.

MacDon's legendary ground-following ability continues with the FD2. MacDon's Active Float System gets coupled with up to 70%* more flex for a harvesting experience like never before. Flex-Float Technology® gets turned up with MacDon's optional ContourMax™ Contour Wheels. These wheels allow the header to follow the field's contours, leaving a consistent stubble height while cutting from 1 to 18 inches* off the ground.

†2.5 cm (1") / 45.7 cm (18") *Compared to previous model.





SCAN HERE

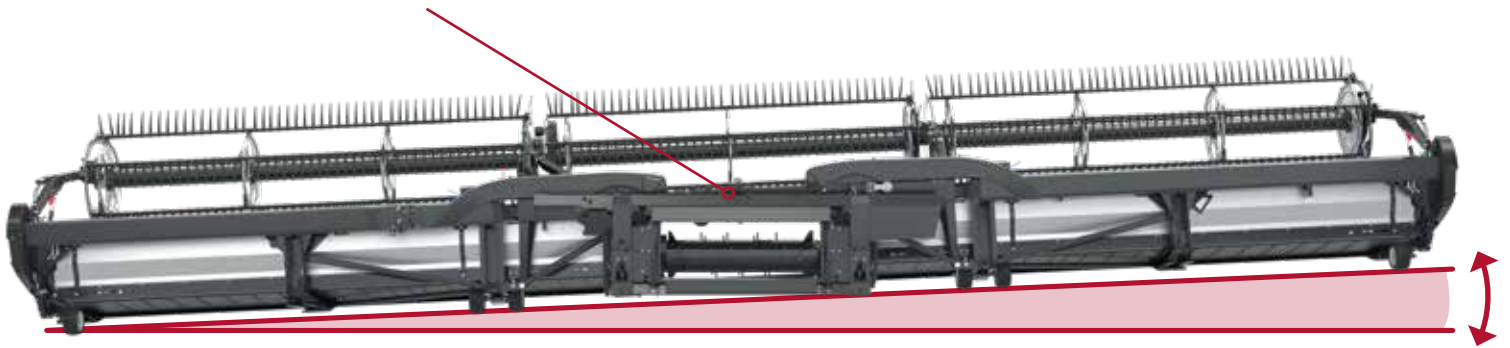


FD2 WEBSITE

FOLLOW

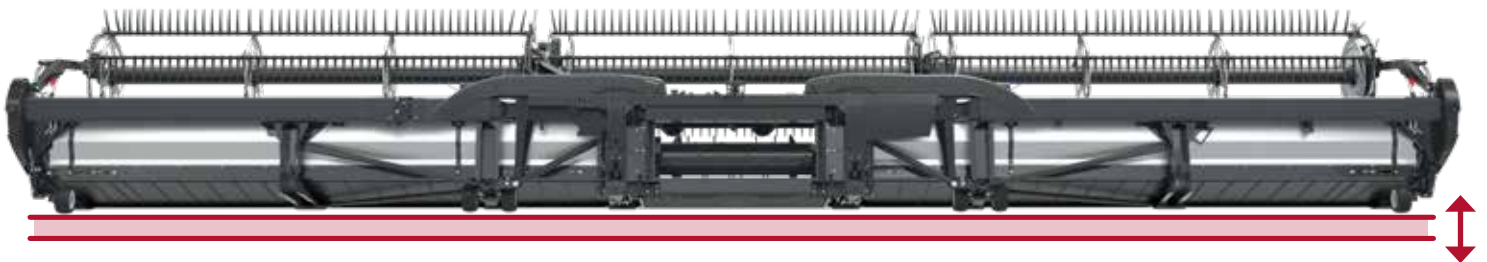


Supports up to 97% of header's weight



Active Float System

The FD2 gets instant float response with MacDon's Active Float System. Integrated but independent of the combine's auto header height control, this simple mechanical system supports up to 97% of the header's weight, allowing the FD2 to effortlessly float over ground fluctuations. This instant float response lets the FD2 cut extremely close to the ground without pushing dirt, keeping the FD2 flush with the ground delivering a clean, close, even cut every time.



More Flex

With the FD2, you get up to 70% more flex from the one and only FlexDraper®*. The FD2 is a floating three-section flexible header with double and triple reel configurations; this allows the entire header frame, cutterbar, and reel to follow ground contours as a unit, flexing up to 17 inches* on either end while maintaining a close reel-to-cutterbar relationship. This unique flexing action allows the FD2 to follow the ground and deliver smooth, consistent, heads-first feeding to the combine, even at extreme flex.

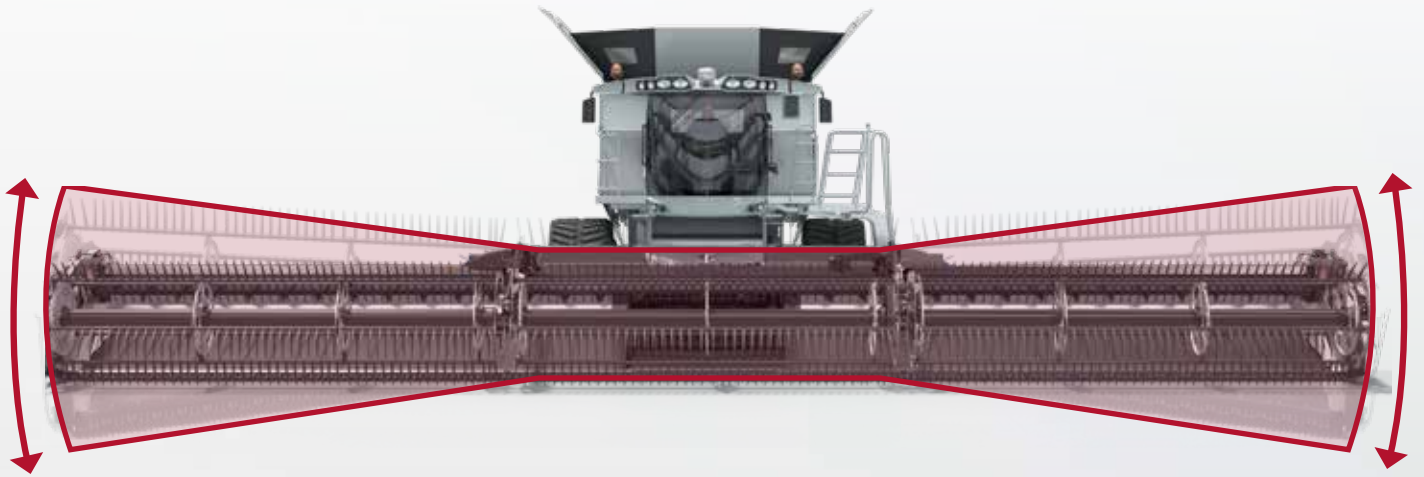
*43.2 cm (17") *Compared to previous model.



FD2 FLEX RANGE

	Standard (Factory) Range	Increased Range**
FD230	165 mm [6.5"] up & 130 mm [5"] down	165 mm [6.5"] up & 165 mm [6.5"] down
FD235	205 mm [8"] up & 130 mm [5"] down	205 mm [8"] up & 205 mm [8"] down
FD240 Double Reel	205 mm [8"] up & 130 mm [5"] down	205 mm [8"] up & 205 mm [8"] down
FD241	205 mm [8"] up & 130 mm [5"] down	205 mm [8"] up & 205 mm [8"] down
FD240 Triple Reel	205 mm [8"] up & 205 mm [8"] down	
FD245	216 mm [8.5"] up & 216 mm [8.5"] down	
FD250	216 mm [8.5"] up & 216 mm [8.5"] down	

***The flex range can be increased by removing the flex limiter, however a greater reel to cutter bar clearance is required. This is a customer configuration; instructions in Op Manual*



70%
MORE
FLEX

FOLLOW



Close Reel-to-Cutterbar Relationship

The FD2 FlexDraper® features a fixed reel-to-cutterbar relationship. A small gap between the reel fingers and the cutterbar is maintained at all times, even at extreme flex, ensuring smooth, consistent, heads-first feeding of the crop over the entire length of the FlexDraper®.



Multi-Crop Harvesting Solution

The MacDon FD2 FlexDraper® is a multi-crop harvesting machine. Switch the FD2 easily from a flex to a rigid frame header with the simple flip of a lever, giving you the versatility to move from one crop type to another. Cereals, oilseeds, beans, just about any crop in any condition; another reason why the FD2 is the ultimate performance upgrade for your combine.

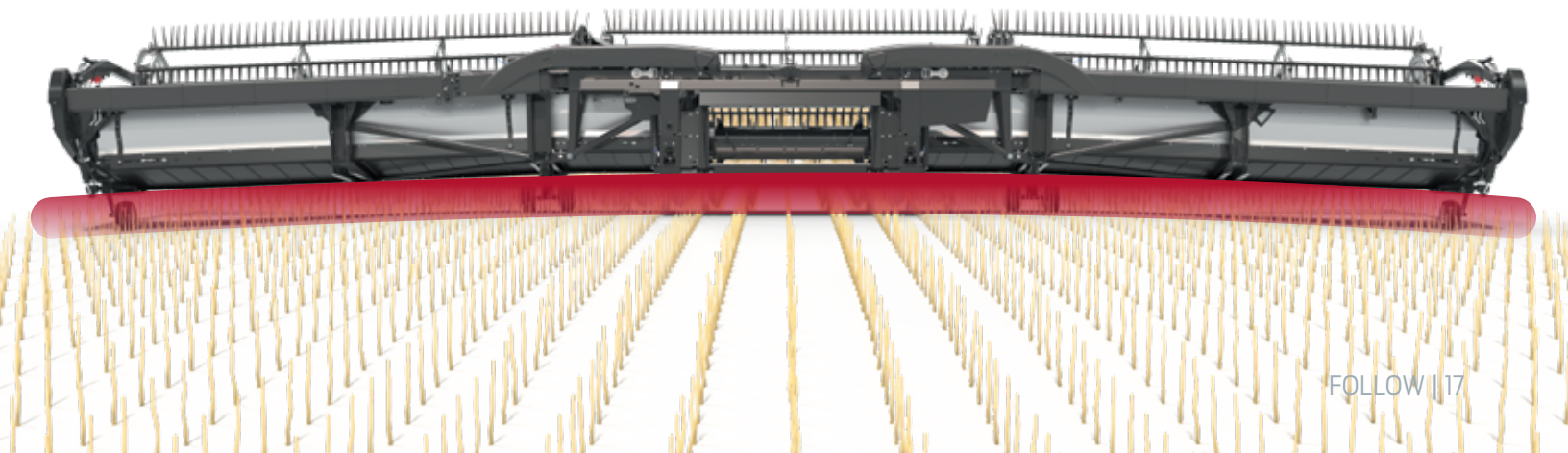
FOLLOW

ContourMax™ Contour Wheels

ContourMax™ Contour Wheels allow the header to follow the field's contours, leaving a consistent stubble height while cutting up to 18 inches off-the-ground. This incredible performance option uses the FD2's Flex-Float Technology® along with the combine's auto header height control to its full advantage, conveniently adjusting in-cab and on-the-go for 1 to 18 inches of off-the-ground, ground following harvesting performance*.

*2.5 cm (1"), 45.7 cm (18")

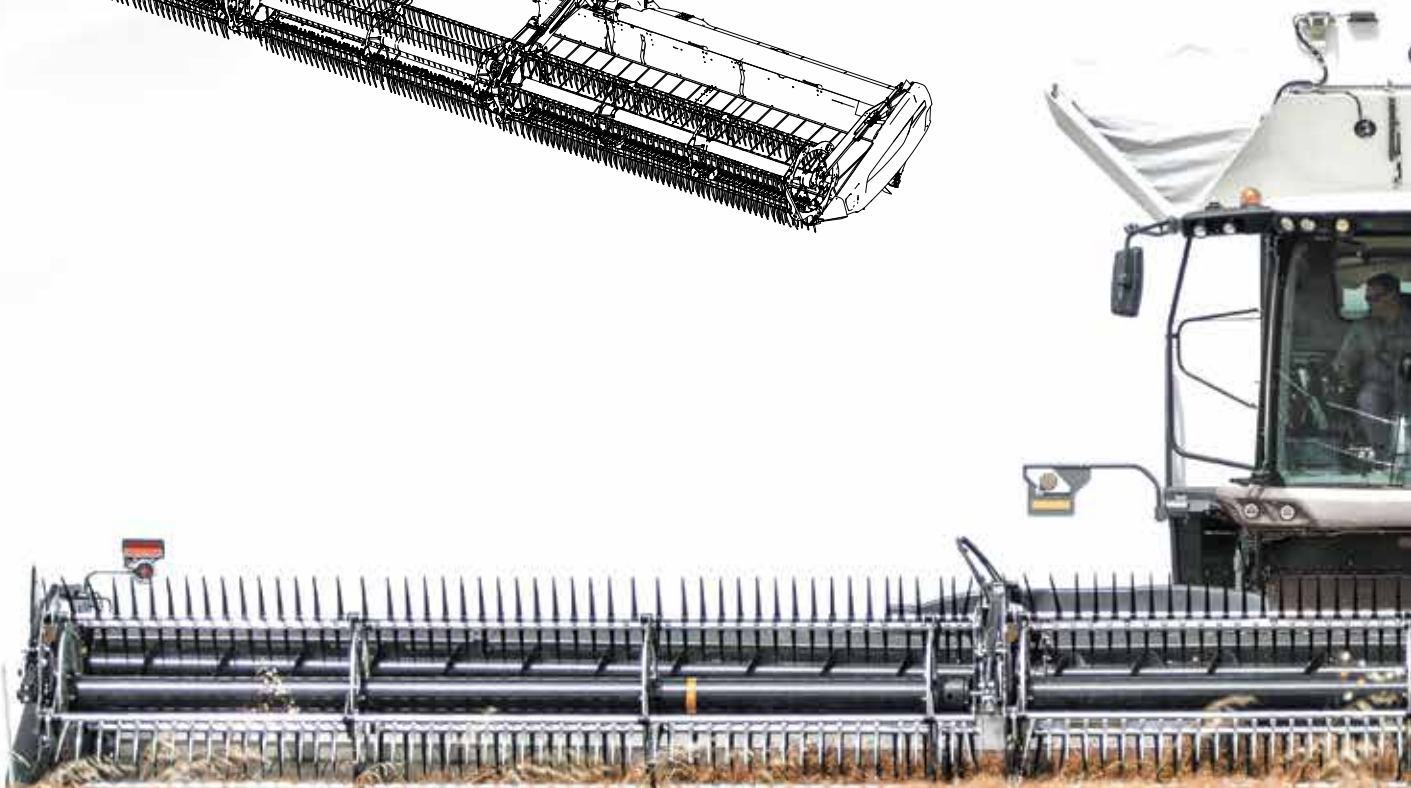
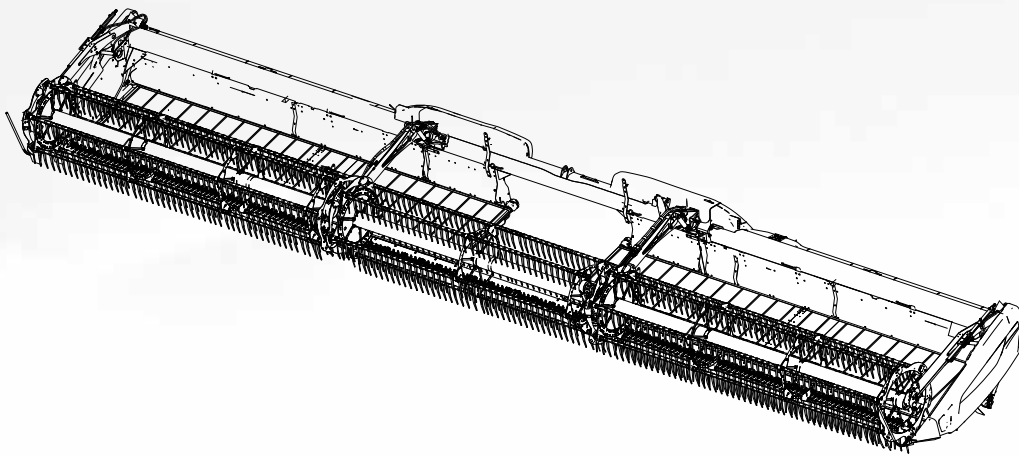




Triple Reel

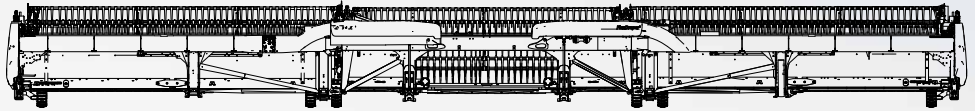
New for the FD2 is a triple reel option. Three reel sections now mirror the flexing points of the header, delivering an even closer reel-to-cutterbar relationship for smooth, consistent, heads-first feeding. Triple reels are optional on 40 foot and standard on 45 and 50 foot FD2 models*.

*12.2 m (40'), 13.7 m (45'), 15.2 m (50')

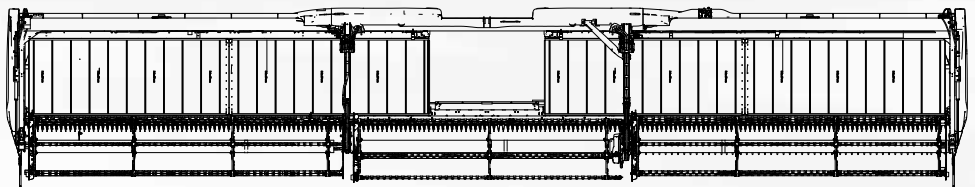




FRONT



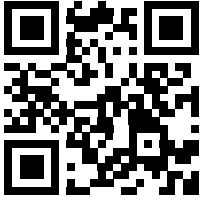
BACK



TOP



SCAN HERE



FD2 WEBSITE



I CUT

Cut Cleaner. Cut Faster. Cut More.

MacDon's ClearCut™ High-Speed Cutting System delivers just that; clean cutting at up to 30% faster speeds*. Helping you get there is MacDon's improved knife drive with more power and new knife section geometry with 25% more cutting surface. A smooth close shave comes from two unique ClearCut Knife Guards; choose between Pointed Knife Guards or PlugFree™ Knife Guards that resist plugging even in the nastiest conditions.

**Compared to previous model.*



CUT

ClearCut™ High-Speed Cutting System

MacDon's ClearCut High-Speed Cutting System delivers just that; a clean cut at faster speeds. This high-speed system is delivered with two unique knife guards, more power from MacDon's improved knife drive and over 25% more cutting surface from an increased knife and guard geometry. Altogether, these improvements allow the FD2 FlexDraper® to provide a clean, even cut every time.

**30%
MORE
SPEED**





ClearCut™ High-Speed Knife Drive

Your need for speed is satisfied with MacDon's improved knife drive, providing more torque to power through the most challenging cutting conditions. Featuring a larger output shaft, a flywheel for smooth operation, and a direct hydraulic drive, it's the heart of MacDon's ClearCut™ High-Speed Cutting System.

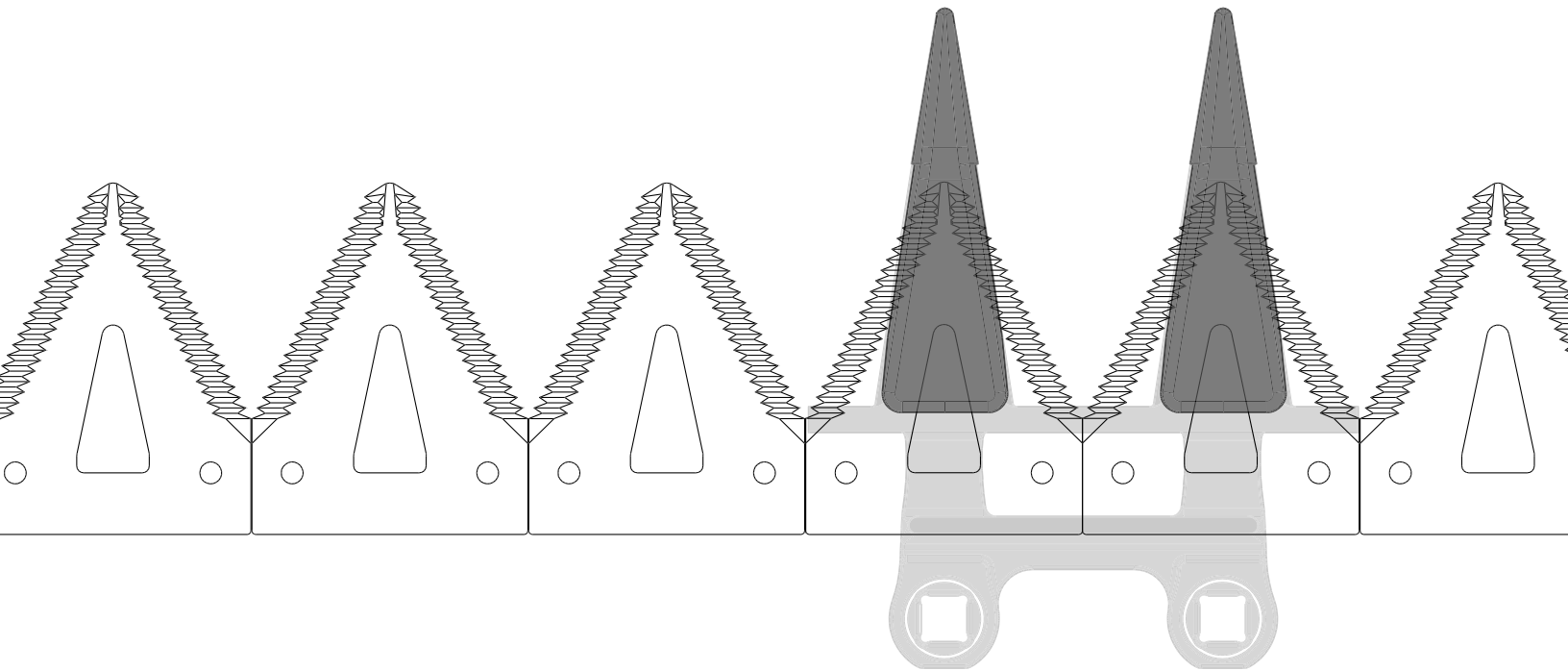
CUT

ClearCut™ Knife Sections

MacDon ClearCut™ knife sections feature over 25% more cutting surface thanks to a longer blade and improved geometry. So what does that mean for you? It means faster, cleaner cut quality at higher ground speeds.

Stay Sharp!

Another great advantage of this new cutting system is the redesigned hardware. Fitted bolts make in-field knife section replacement quick and easy.



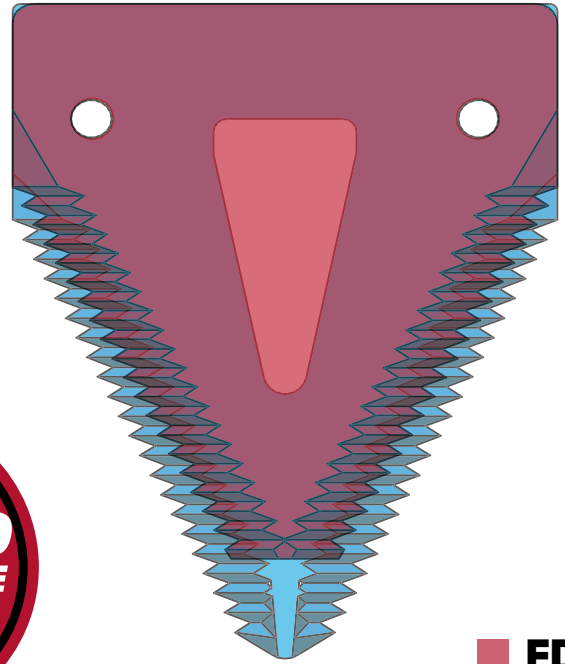
ClearCut™ Pointed Knife Guards

ClearCut™ Pointed Knife Guards are multi-purpose knife guards designed to glide along the surface at high cutting speeds for a clean, even cut every time.

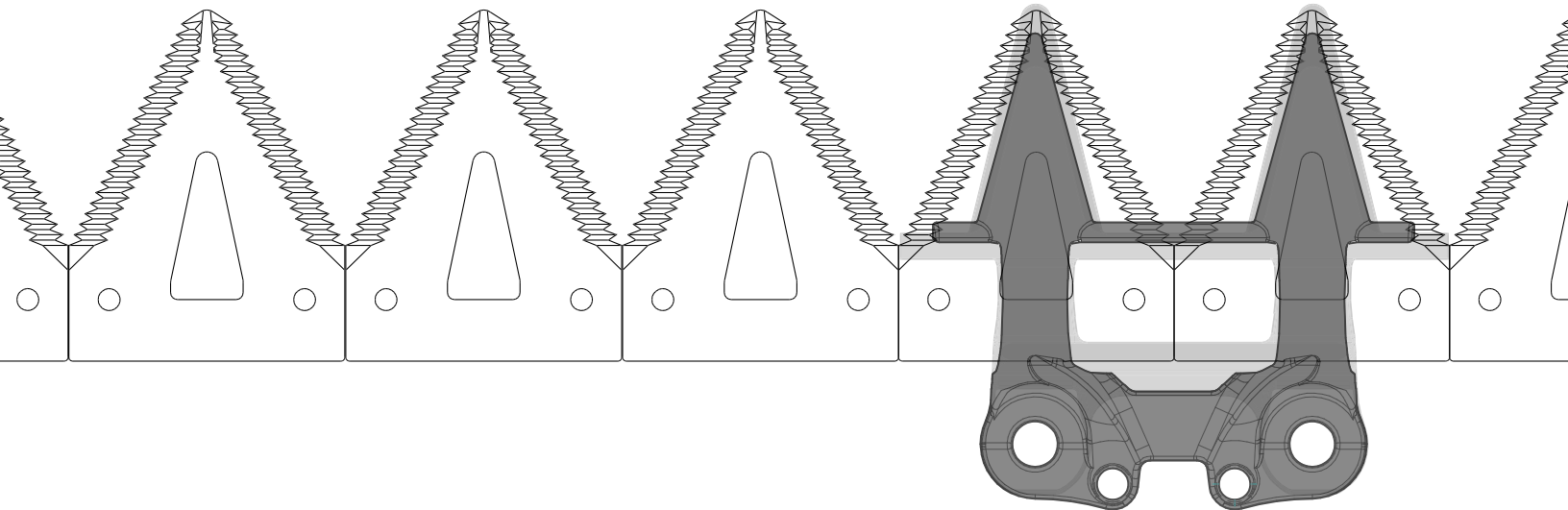


**Mixing knife guard types is not recommended.
Image shown for display only.*

**OVER
25%
MORE
CUTTING
SURFACE**



FD1
FD2



ClearCut™ PlugFree™ Knife Guards

This guard design gets the knife as close to the ground as possible while still protecting the blade from damaging debris in the field. ClearCut PlugFree Knife Guards resist plugging even in the nastiest conditions providing the closest cleanest possible shave of the ground.

A Consistently Close Shave

On the FD2, MacDon's low-profile cutterbar improves on an already good thing; the knife's distance to the draper is shorter, meaning less chance of seed loss at the cutterbar. In-cab header tilt control adjusts the knife angle to match any harvest condition, and the ultra-smooth ground-facing surface of the cutterbar helps it glide along the ground for a smooth close shave every time.



VertiBlade™ Vertical Knives

A performance option worth mentioning for anyone cutting in messy crops. The MacDon VertiBlade™ vertical knife reduces seed loss in tangled, shatter-prone crops like canola (rapeseed). The VertiBlade integrates seamlessly into the header design and is easy to install. Just hook on and connect in one move, hydraulics and all, with MacDon's Quick Latch End Divider System.





I FEED

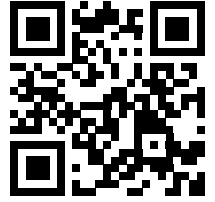
High Volume Heads-First Feeding.

The FD2's all-new frame features an ultra-deep deck with 50 inch deep drapers and is now available in 30 to 50 foot configurations. The FD2 delivers up to 20%* more capacity of smooth heads-first feeding in the tallest bushiest crops it can get its reel fingers on. No matter what type of combine you mount it to, the FeedMax™ Crop Feeding System optimizes performance. Along with active crop flow, patented reel movement, and new ShatterGuard reel positioning, the FD2 is ready for action*.

* 127 cm (50"), 9.1 m (30') to 15.2 m (50') *Compared to previous model.



SCAN HERE



FD2 WEBSITE



FEED



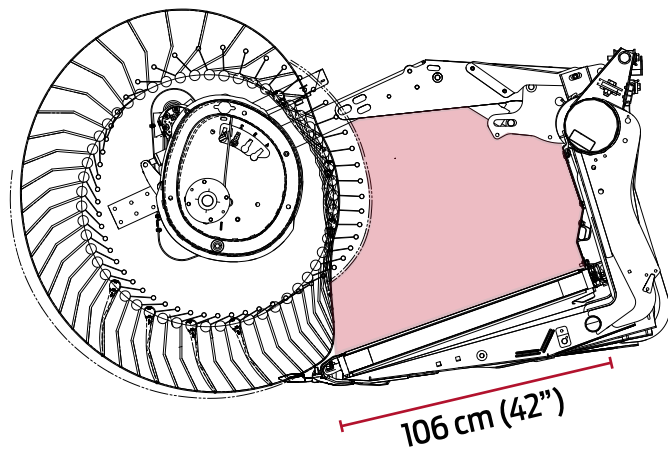
15.2 m (50')

Super-Sized Capacity

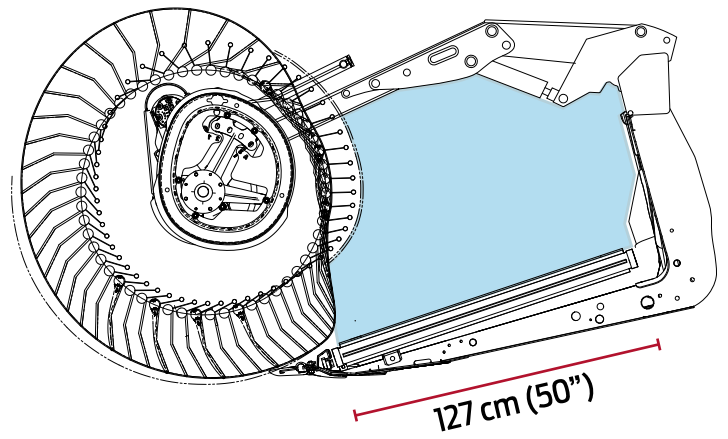
With today's modern combines, it's all about more capacity, and with the FD2, you get up to 20%* more of it. This serious capacity boost comes from an ultra-deep deck featuring 50 inch deep drapers on all FD2 models. These huge drapers perform with ease, cleanly laying down the biggest bushiest high-volume crops, keeping those big combines running smoothly with consistent heads-first feeding. This deeper draper also provides improved cutterbar visibility from the combine.

New for the FD2 is a 50 foot header size; paired with the deeper draper deck, the FD250 delivers the most crop capacity ever offered in a FlexDraper® model†.

† 127 cm (50"), 15.2 m (50') *Compared to previous model.



FD1 FlexDraper®

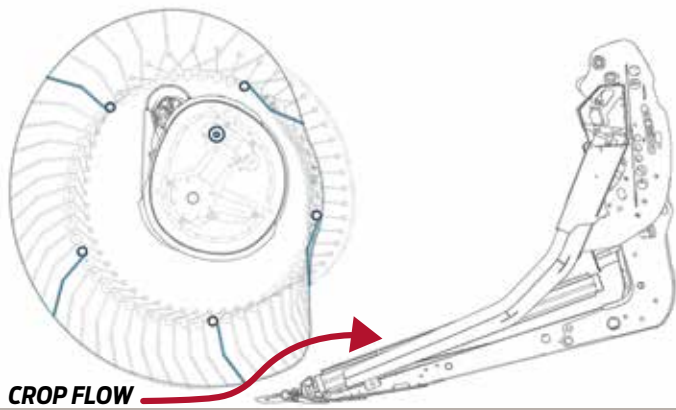


FD2 FlexDraper®

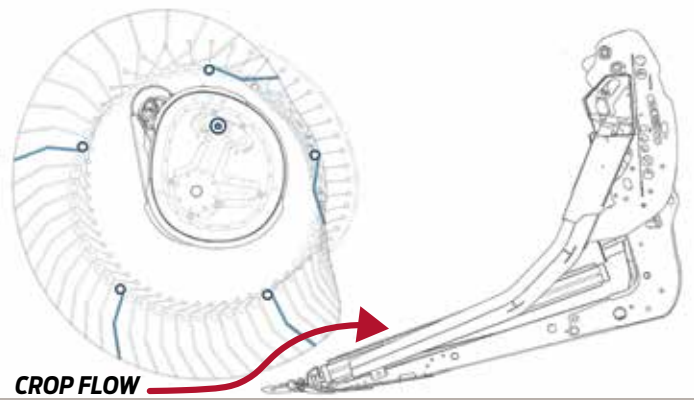
Amazing Reel Performance

The unique movement of the FD2 reel picks up and gently places crop onto the drapers. This patented reel features a uniquely shaped cam that allows the fingers to get underneath lodged crop and pick it up before it's cut. Aluminum reel ends and sectors help reduce overall weight and improve efficiency. The FD2 header and reel are highly adjustable from the cab for optimal performance. Header tilt control adjusting the draper and knife angle, and fore-aft reel positioning lets you set the FD2 for the most challenging real-world harvesting conditions.

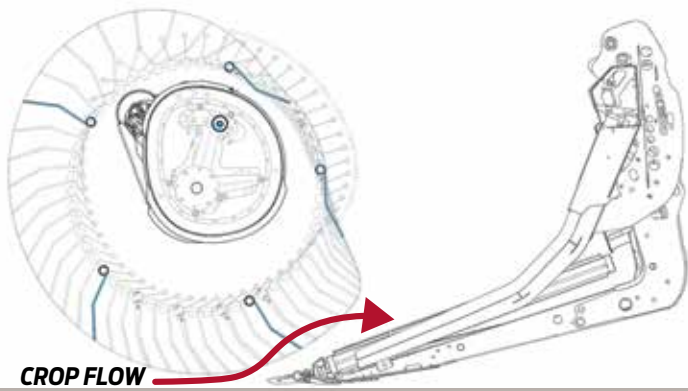




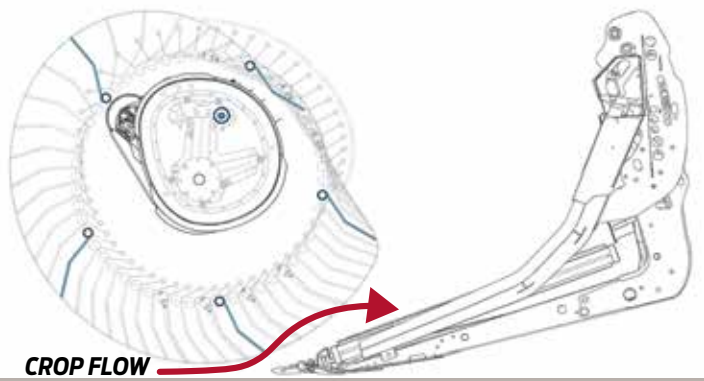
Cam Position 1



Cam Position 2



Cam Position 3



Cam Position 4







ShatterGuard Reel Positioning

Introducing MacDon's ShatterGuard Reel Positioning. Using MacDon's Set-It-Right Multi-Tool, this quick, simple adjustment to the reel comes standard on all FD2 models. ShatterGuard Reel Positioning is designed with tall brittle bushy crops like canola in mind. This adjustment sets the reel further back on the header, preventing shatter on the ground, keeping crop on the drapers where you want it.

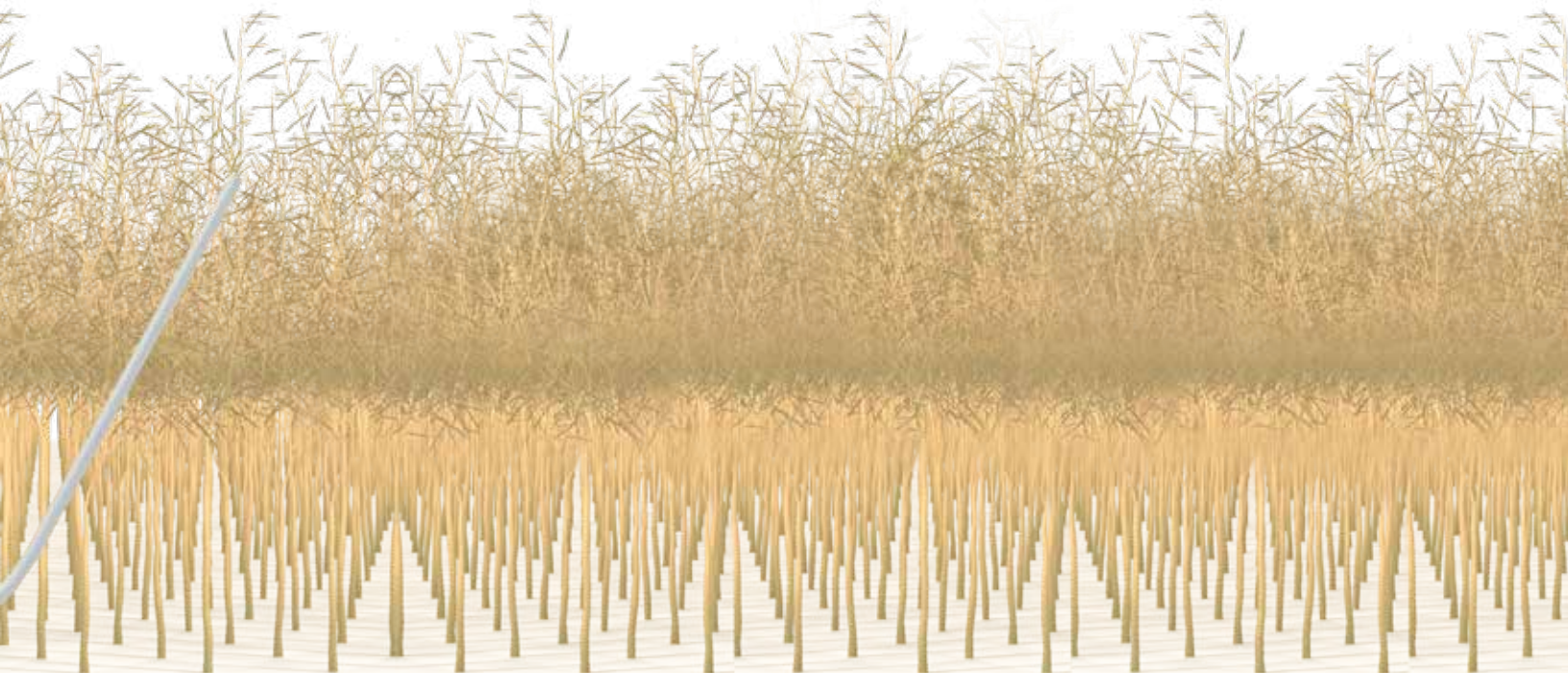
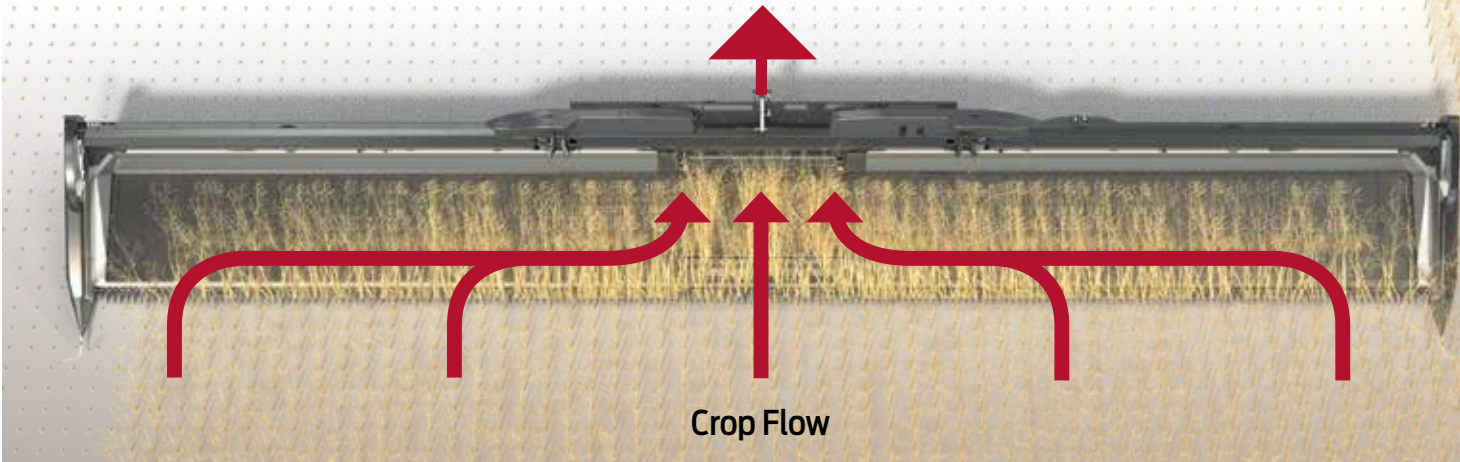


Heads-First Active Crop Flow

Once the crop gets on the drapers, MacDon's Active Crop Flow takes over, swiftly moving the crop heads-first down the side drapers and into the combine's feeder house. Now standard on the FD2, the in-cab side draper speed control allows on-the-go adjustment. Heads-first feeding promotes peak combine efficiency by improving threshing action, creating better straw distribution, and providing an overall more productive fuel-saving harvest. What's more, MacDon's Active Crop Flow is more efficient in damp and moist conditions, meaning you can start earlier and work later into the evening.



Heads-first feeding into combine



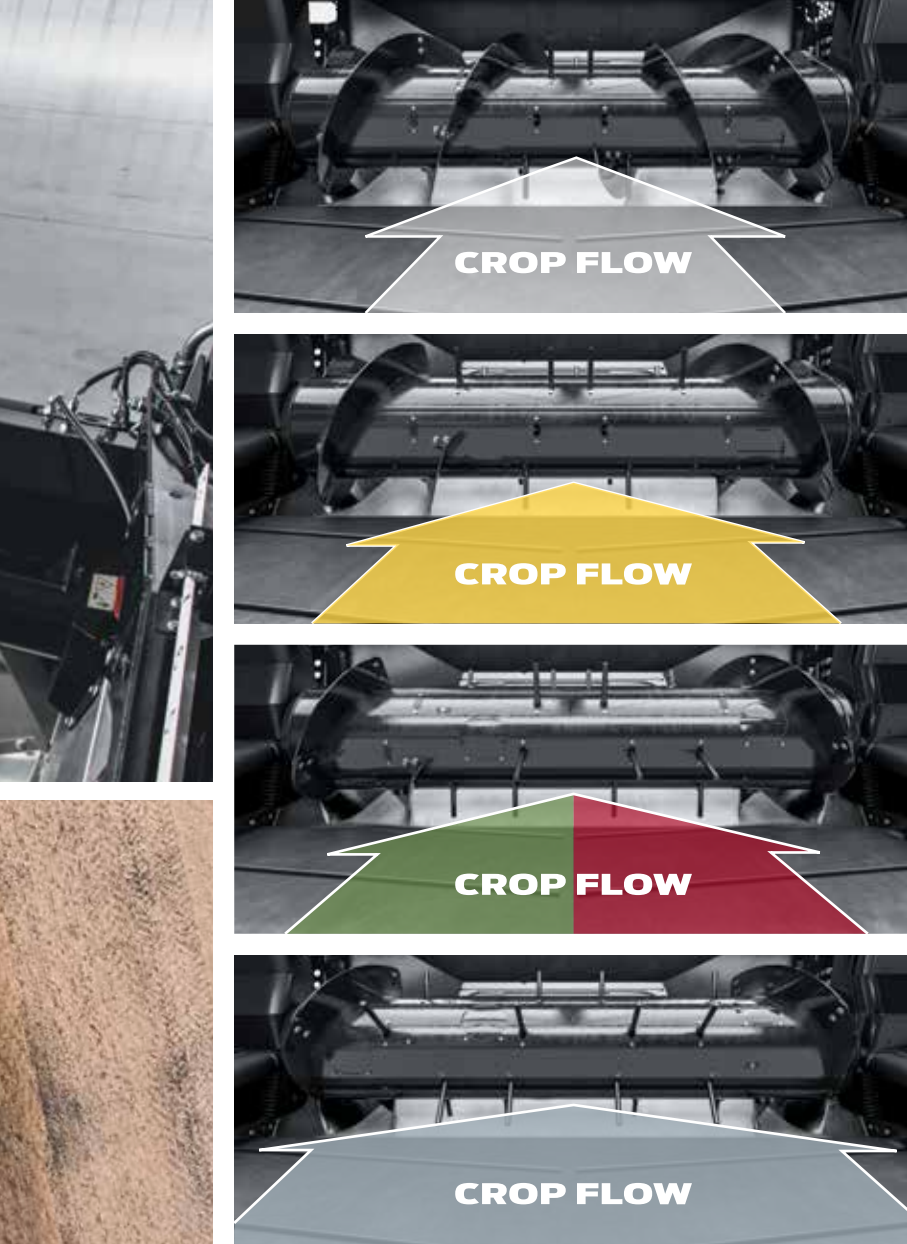


FEED



Full-Length Upper Cross Auger

A performance option worth considering for anyone harvesting big bushy, high-volume crops, like canola (rapeseed), peas, and mustard, is the Upper Cross Auger. The auger keeps bushy crops on the draper as they move to the center of the header, where twin pitch flights actively and aggressively drives the crop down onto the feed auger. This option runs the full length of the header and is available on all sizes of the FD2 FlexDraper®.



FeedMax™ Crop Feeding System

Big, small, new, old, the FeedMax™ Crop Feeding System has an aggressive feeding action and can be custom configured to match any combine's performance. Featuring combine-tailored speed control and customizable auger flighting to fit any combine's feeder house opening, the FeedMax Crop Feeding System upgrades and optimizes any combine's performance.

FeedMax™



SCAN HERE



FD2 WEBSITE



EASE

Purposefully Designed to Make Harvest Easy.

We all know harvest time is go time, and with the FD2, you won't waste time messing around. The FD2 lets you get the job done without the struggle: easy set-up, easy operation, easy upgrades. From the quick set-up of the EasyMove™ Transport to seamless combine integration, the FD2 is always ready for action!



Any Combine

The FD2 FlexDraper® fits all major brand combines* with a completion package that integrates seamlessly with your combine for the best possible user experience. This multi-brand compatibility and interchangeability means your investment will hold its value when you decide to update.

**See your MacDon Dealer to find out if the FD2 will fit to your combine.*







B

C



A Set-It-Right Multi-Tool

The Set-It-Right Multi-Tool is all you need to get the FD2 dialed in for harvesting success. Conveniently stored onboard the header, this one tool gets the FD2 ready for your unique harvesting conditions.

The Set-It-Right Multi-Tool lets you make the following adjustments:

- Set and adjust the header flex and float.
- Set the ShatterGuard reel positioning.
- Adjust the reel finger positioning and reel drive chain tension.
- Add and remove end divider cones.



B Easy Adjustments

You'll be ready to go as soon as the crop is with the FD2's easy adjustments.

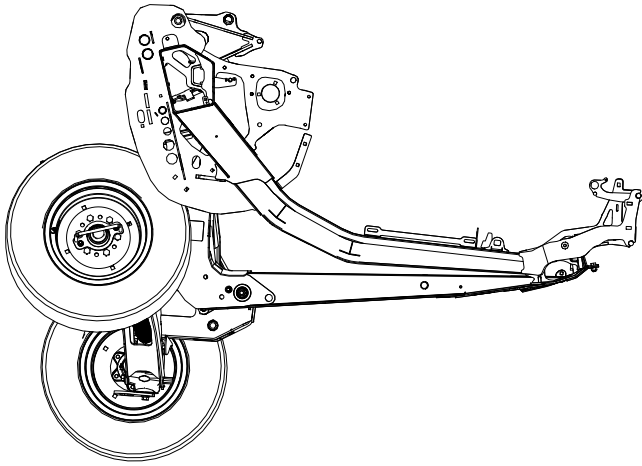
Easy adjustments include:

- Easy to follow decals and adjustments to set the flex and float.
- Easy access to the reel drive chain tensioner; just flip off the cover and use the Set-It-Right Multi-Tool to adjust.
- Now standard for the FD2, in-cab on-the-go side draper speed control.
- Easily switch from a flex to a rigid frame header with the flip of a lever.

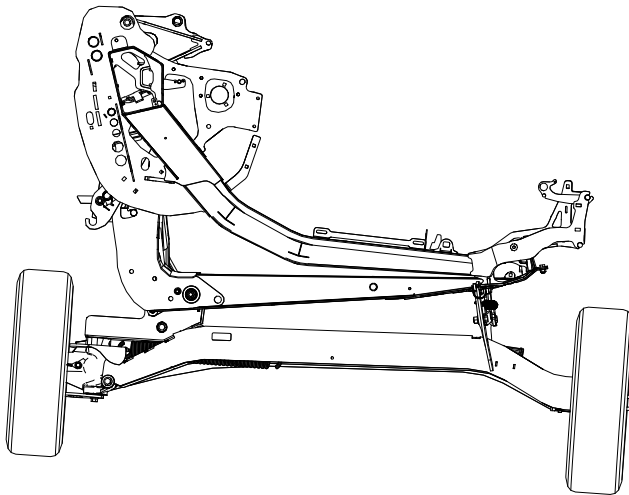
C Quick Latch End Divider System

MacDon's Quick Latch End Divider System allows you to hook and connect your divider in one move, whether you're using standard rod dividers, rice dividers, or VertiBlade™ Vertical Knives. The standard divider rods store onboard, and there is an optional onboard divider cone storage available too.

EASE



IN-FIELD



ON ROAD

EasyMove™ Transport

MacDon's EasyMove™ Transport System makes it faster than ever to move your FD2 Series FlexDraper® from field to field. This Performance Option is entirely self-contained on the header and allows transport at speeds up to 32 km/h (20 mph)**. Machines equipped with this option can also use the transport wheels in-field to stabilize the header.

**Some products and/or options may not be available in all markets.*

See your MacDon Dealer for availability.

***Always follow local traffic laws and regulations.*





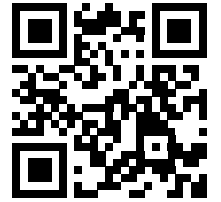
***I* MORE**

Get Ready for More.

The FD2 FlexDraper® is the evolution of the ground following innovation MacDon first brought to market almost 20 years ago. Like we did then, we listen to and work with you, the farmer, in the most challenging real-world conditions. What does that mean for you? More. More sizes, more durability, more harvesting innovations. So, in case you're not convinced yet, here are a few more reasons why the FD2 is the right investment for your operation!



SCAN HERE



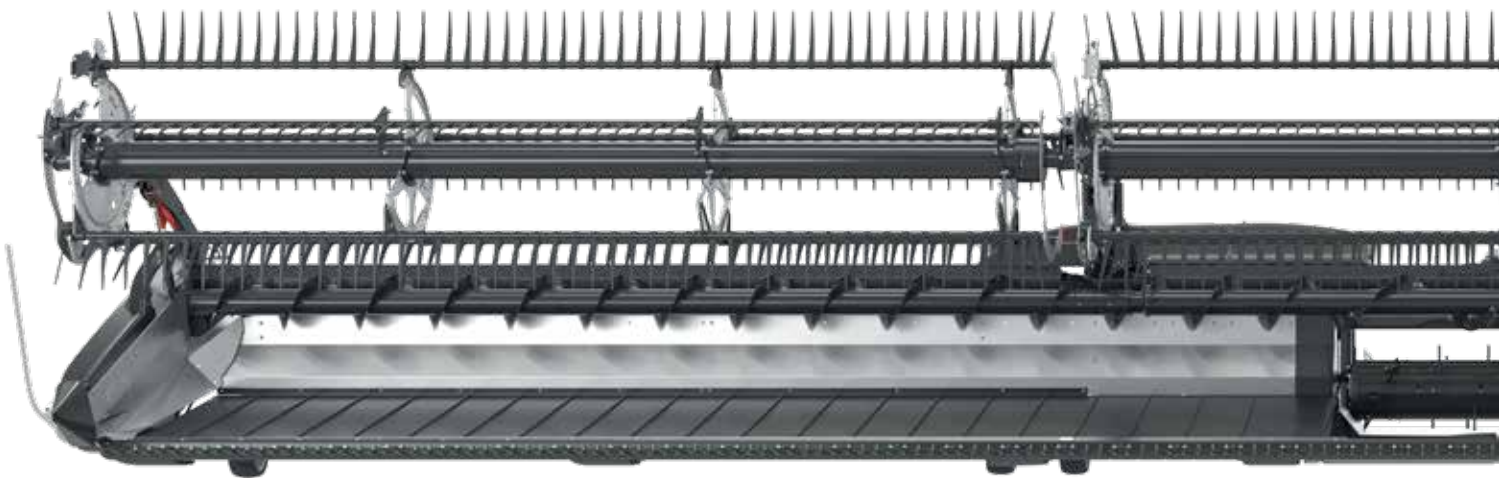
FD2 WEBSITE

MacDon

MORE

The Right Size for Your Operation

New for the FD2 is a 50 foot header size, making the FD250 the highest capacity FlexDraper® yet, but the new offerings don't stop there; controlled traffic farms are covered with the 41 foot double reel FD2*.



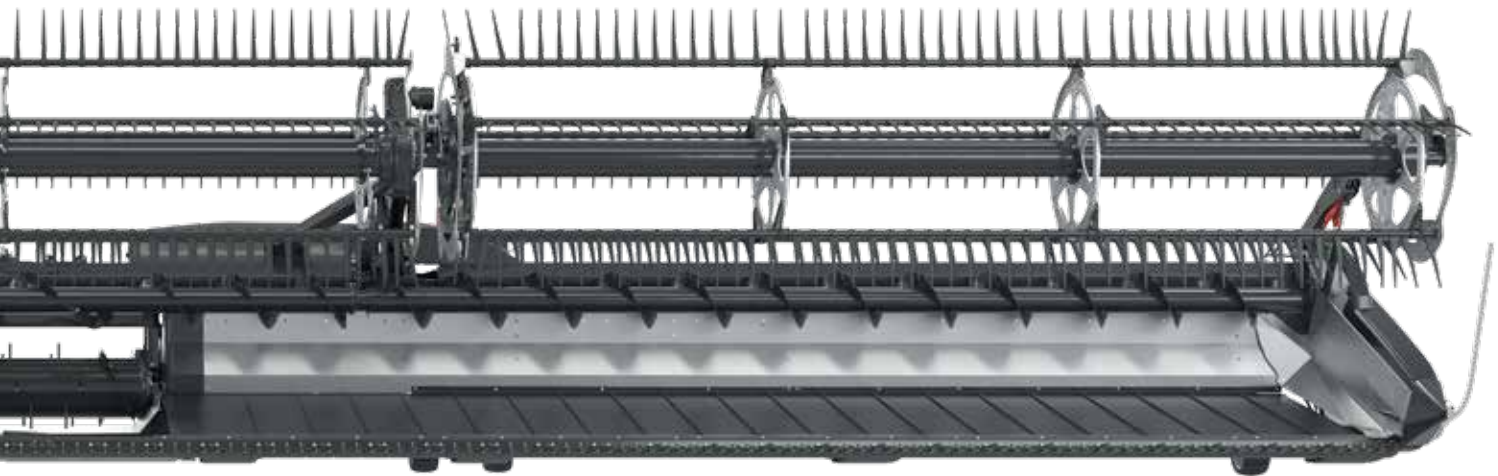
Sizes Available:

9.1 m (30'), 10.6 m (35'), 12.2 m (40'), 12.5 m (41'), 13.7 m (45'), 15.2 m (50')

**Some products and/or options may not be available in all markets. See your MacDon Dealer for availability.*



NEW
41' & 50'



MORE





Aluminum Components

From a glance, the most noticeable design cue on the FD2 is the addition of aluminum components. Aluminum features include reel endshields, reel sectors, and backsheets. But these components aren't just for looking good; they help reduce the overall weight of the header, improving efficiency without compromising strength.

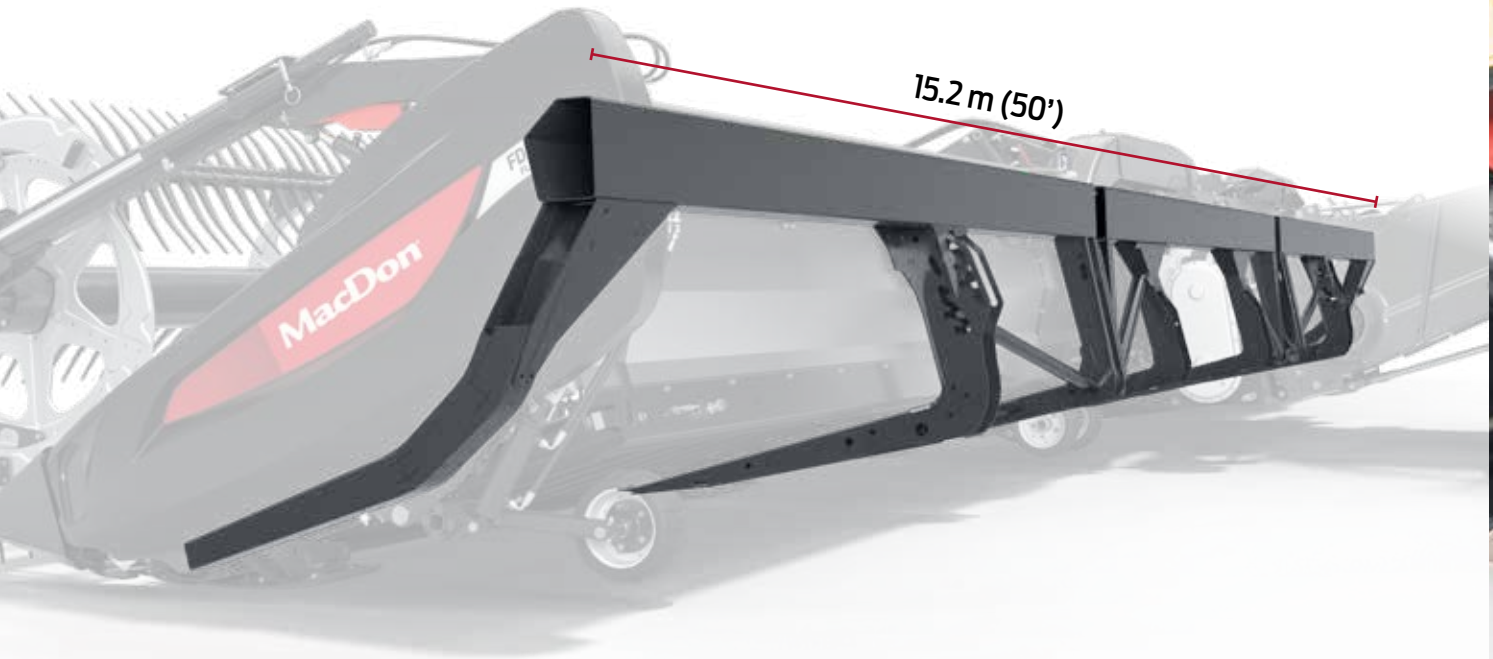
Clean Sweep Crop Keeper System

You can't be the harvesting specialists without being serious about harvesting; that's why MacDon added a bunch of little extras onto each FD2 to keep the crop moving in the right direction, into the combine and onto your bottom line.

Standard on all FD2 models, the Clean Sweep Crop Keeper System includes:

- A** Angled reel fingers and tines on the reel ends.
- B** Reel endshield crop paddles.
- C** Reel endshield crop deflectors.
- D** Inner endshield crop deflector fingers.

MORE

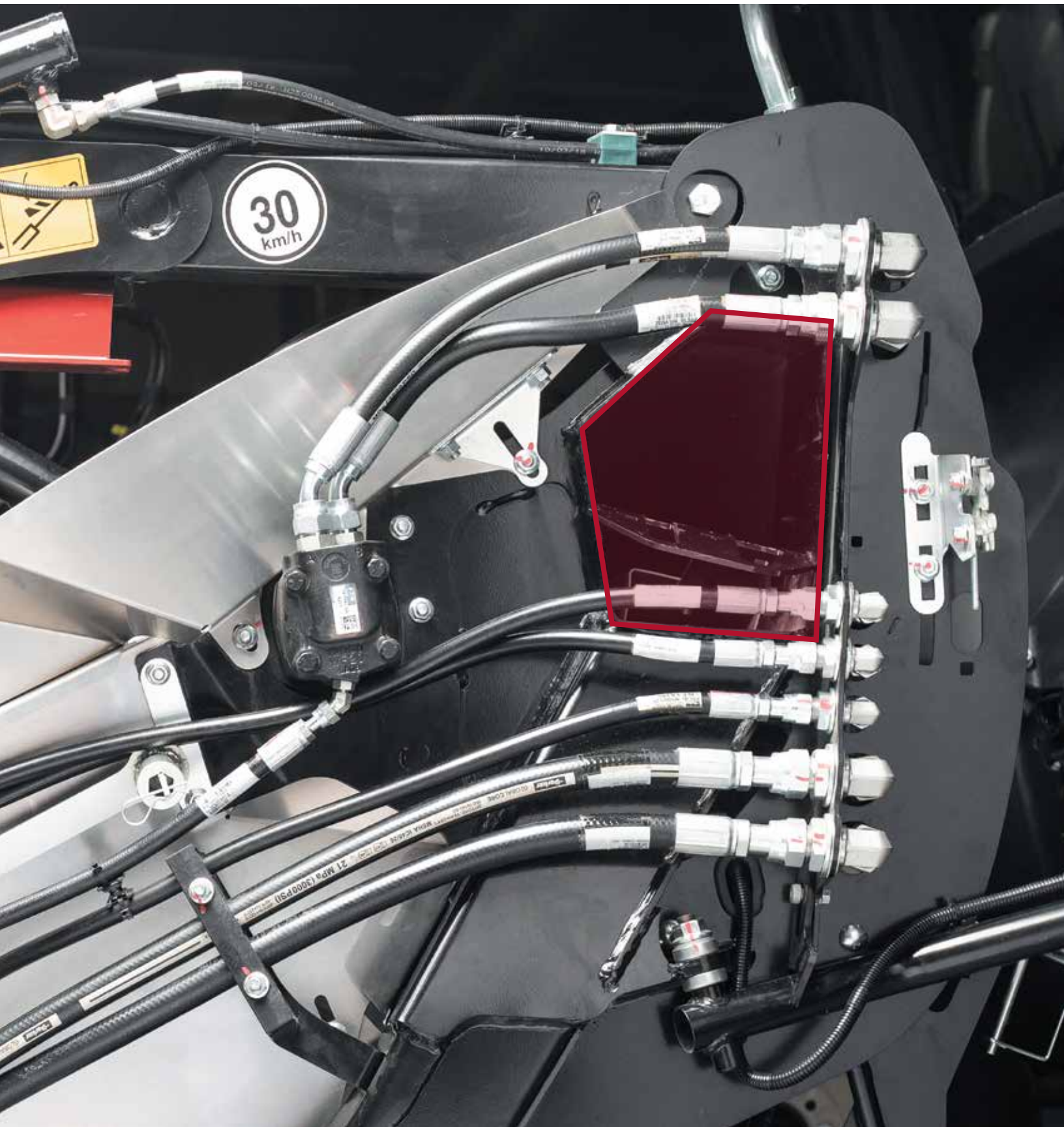


Durability

The MacDon brand always has and always will stand for reliability; that's what makes MacDon the preferred choice of more custom harvesters and high-volume operations around the world. Engineering rock-solid products is how we ensure this reliability, and the FD2 carries that tradition forward. The FD2 boasts an all-new frame that features a super structured five-sided back tube. This solid backbone creates a durable platform to handle the increased capacity needs from 50 inch deep drapers*.

* 127 cm (50")





SPECIFICATIONS

FD2 FLEXDRAPER® SPECIFICATIONS

Size*	9.1 m (30')	10.6 m (35')	12.2 m (40')	12.5 m (41')	13.7 m (45')	15.2 m (50')
Weight** Single Knife Drive	3701 kg (8160 lb)	2900 kg (6400 lb)	4050 kg (8928 lb)	-	-	-
Weight** Double Knife Drive	-	3985 kg (8786 lb)	4133 kg (9113 lb)	4328 kg (9542 lb)	-	-
Weight ** Double Knife Drive with Triple Reel	-	-	4283 kg (9442 lb)	-	4635 kg (10218 lb)	4853 kg (10699 lb)
Knife: Type / Drive / Speed / Guards	Single or Double knife / Hydraulic, MacDon design enclosed oil bath knife drive box(es) / 1200-1400/1500 spm, varies depending on header size / ClearCut™ Pointed Guards - Forged and Double Heat Treated (DHT) with Forged, Single Bolt Adjustment Hold-Down; ClearCut™ PlugFree™ Short Guards - Forged and Double Heat Treated (DHT) with Forged, Dual Bolt Adjustment Hold-Down					
Reel: Type / Drive / Speed / Fingers	Pick-up reel, five bats, two-piece (double) or three-piece (triple), flip-over design, cam-leading finger control / Hydraulic / 0 to 67 rpm (varies depending on combine model) / 279 mm (11") length, wear-resistant HD plastic, 102 mm (4") spacing					
Conveyor: Type / Drive / Speed	1270 mm (50") deep, reversible, rubber skim-coated drapers, double V-guide with tracking, integral seal on leading edge / 0 to 209 m/min (0 to 687 ft/min)					
Standard Features	Fits most current model combines, hydraulic fore-aft reel positioner, hydraulic header tilt, in-cab side draper speed control, cutterbar poly wear plates, auto-header height with header angle and ground pressure indicators					
Field-Installed Options	EasyMove™ Transport System, ContourMax™ Contour Wheels, Upper Cross Auger, VertiBlade™ Vertical Knife, stabilizer wheels, lateral tilt, automatic header height control					

*Product size availability varies by market. **All listed weights are approximations and will vary depending on options installed.

Check with your dealer for combine ratings.

Weight includes FM200 Float Module. The FM200 Float Module weighs approximately 1029kg (2270 lb); this number varies by combine model

FM200 FLOAT MODULE SPECIFICATIONS

	Center Draper	Feed Auger
Weight	Approximately 1029 kg (2270 lb), varies by combine configuration	
Size	2000 mm (78.7") width	1630 mm (64.1") width
Type	Hydraulic drive (reversible), self tracking rubber coated polyester fabric feed draper with rubber slats	Mechanical drive (reversible), removable retracting fingers with bolt on flighting
Speed	107-122 m/min (350-400 ft/min), varies with combine brand	191 - 195 rpm, varies with combine brand
Header Floatation: Type/ Vertical Range/Lateral Range (Tilt)	2 pairs of coil springs, independent adjustment, transport lock-out / 178 mm (7") / 4.8 degrees	

FD2 FLEX RANGE

	Standard (Factory) Range	Increased Range**
FD230	165 mm [6.5"] up & 130 mm [5"] down	165 mm [6.5"] up & 165 mm [6.5"] down
FD235	205 mm [8"] up & 130 mm [5"] down	205 mm [8"] up & 205 mm [8"] down
FD240 Double Reel	205 mm [8"] up & 130 mm [5"] down	205 mm [8"] up & 205 mm [8"] down
FD241	205 mm [8"] up & 130 mm [5"] down	205 mm [8"] up & 205 mm [8"] down
FD240 Triple Reel	205 mm [8"] up & 205 mm [8"] down	205 mm [8"] up & 205 mm [8"] down
FD245	216 mm [8.5"] up & 216 mm [8.5"] down	
FD250	216 mm [8.5"] up & 216 mm [8.5"] down	

**The flex range can be increased by removing the flex limiter, however a greater reel to cutter bar clearance is required.

This is a customer configuration; instructions in Op Manual



MacDon

GET MORE! **with Performance Parts.**

The FD2 FlexDraper® gives you more harvesting performance than ever before, and the best way to keep it performing like a champ is with MacDon Performance Parts! This all-new lineup of MacDon Performance Parts is specifically designed to work with and enhance your FD2's performance. To keep you going in the field, our FD2 Customer Convenience Kits are easy all in one parts kits designed to maximize your uptime.

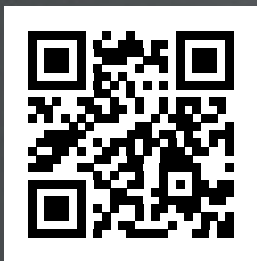
***Check out the newest FD2 Customer Convenience Kits
from MacDon Performance Parts...***

MORE Performance!

MORE Up-Time!

MORE Convenience!

GET MORE with MacDon Performance Parts!



***Scan the QR Code to get your
FD2 Performance Parts Guide!***



Draper Header Service Kits

Available in both PlugFree™, and Pointed Guard Versions, Draper Header Service Kits from MacDon are a convenient “First Aid Kit” for your header. These kits contain a selection of high wear parts such as guards, sections, and hardware, and are ideal to have on hand at all times.

See *FD2 Performance Parts Guide* for full kit contents.

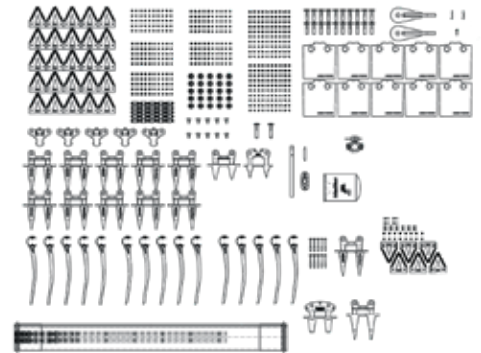


PART #	DESCRIPTION
311789	FD2 POINTED GUARD SERVICE KIT
311790	FD2 PLUGFREE™ GUARD SERVICE KIT

Service Kit Plus

An expanded kit of common wear parts and repair kits, ideal for customers operating multiple FD2 headers, or those who want to maximize uptime. Available for single and double knife drive headers configured with Pointed Guards.

See *FD2 Performance Parts Guide* for full kit contents.



PART #	DESCRIPTION
340492	POINTED GUARD, SINGLE KNIFE DRIVE
340493	POINTED GUARD, DOUBLE KNIFE DRIVE

Knife Assembly Kits

Provides all necessary knife segments and splice kits required to replace the complete knife on a header. Come packaged in 1 box for ease of transportation from dealership to field.

See *FD2 Performance Parts Guide* for full kit contents.



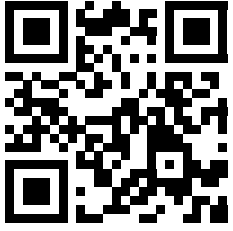
Guard Kits

Convenient kits, containing all guards needed for a complete replacement. Come packaged on a small pallet for ease of transportation from dealership to field.

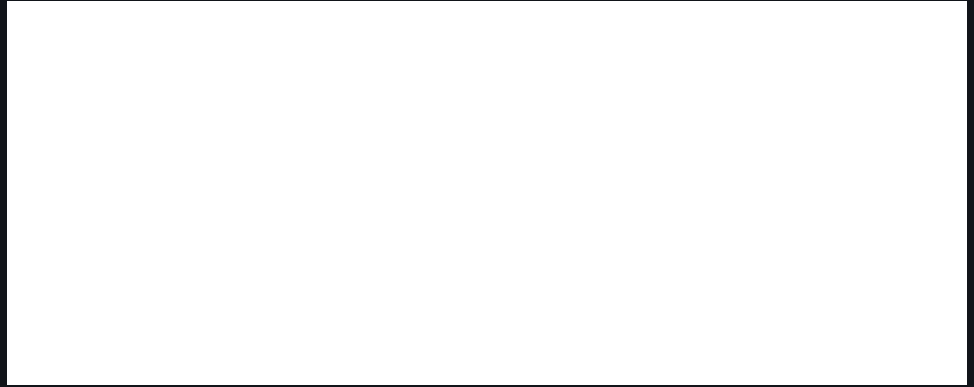
See *FD2 Performance Parts Guide* for full kit contents.



SCAN HERE



FD2 WEBSITE



MacDon[®]

The Harvesting Specialists. MacDon.com

Trademarks of products are the marks of their respective manufacturers and/or distributors. Specifications and options subject to change without notice. Products subject to availability. Products featured may include available options. MD-1000H4 FD2 - Documents - Brochure - 2021 - V-04-07-22 Part# 215706