

KV552

V-Blade





500 Venture Drive
Orrville Oh 44667
www.ventrac.com

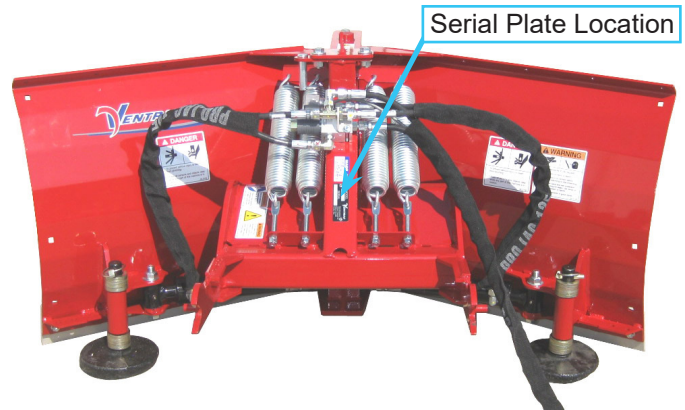
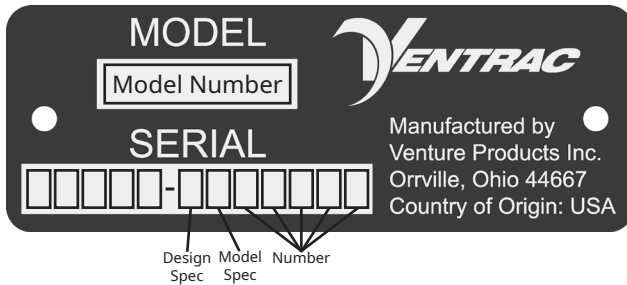
View all manuals



Visit ventrac.com/manuals for the latest version of this parts manual.

A downloadable operator's manual is also available.

Serial Number Description



Notes

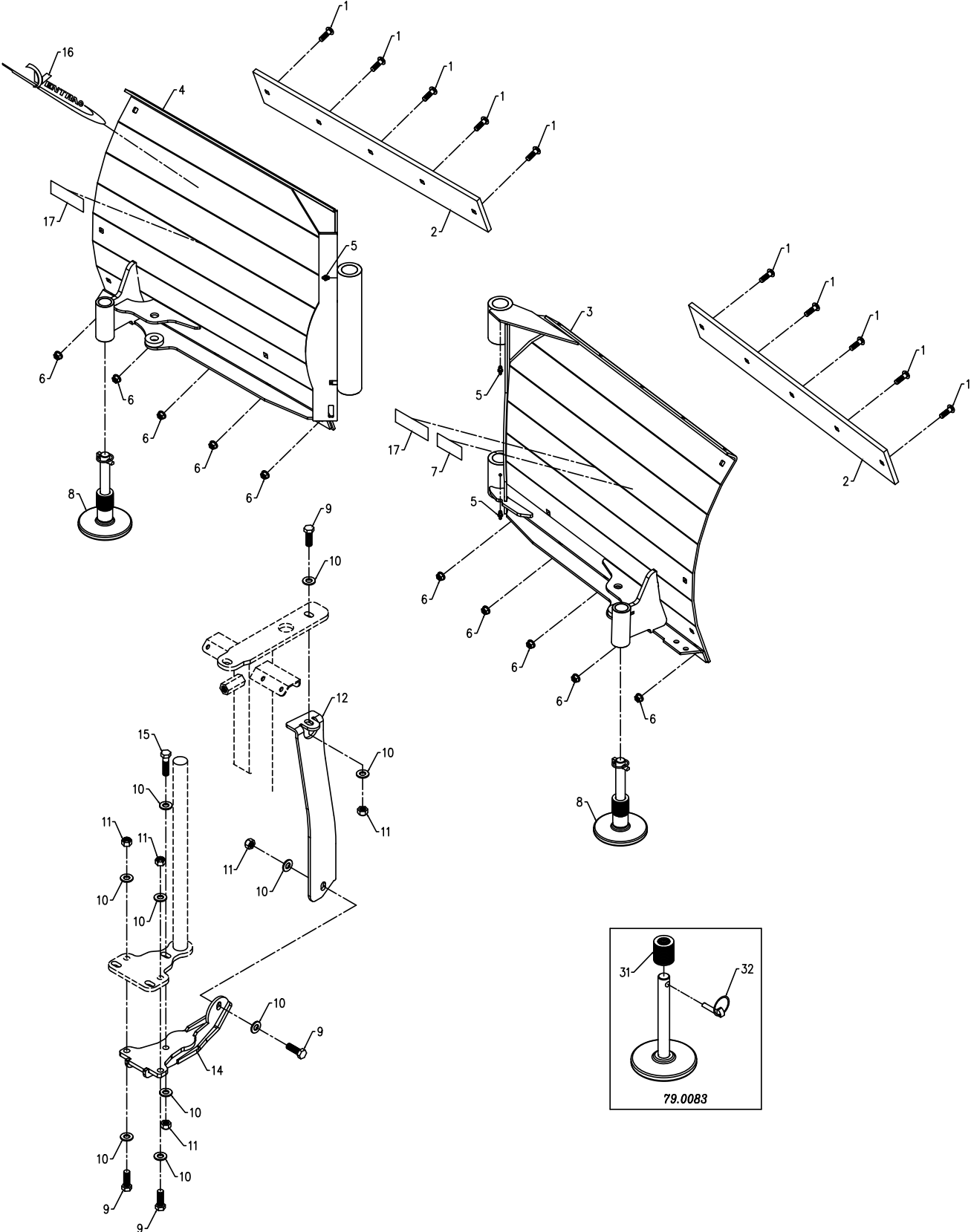
- If any component requires replacement, use only original Ventrac replacement parts.
- When ordering new components, be sure to order all required safety decals. All current safety decals must be affixed to the replacement components prior to installation of the component.

TABLE OF CONTENTS

PARTS	PAGE 4
Blade Wings, Cutting Edge, & Skid Shoes.....	4
Center Frame & Hitch Frame	6
Safety Trip Pivot & Springs	8
Hydraulic Cylinders, Hoses, & Solenoid Valve.....	10
70.8044 Snow Containment Flap.....	12
70.8048 Polyurethane Cutting Edge	13
70.8045 6" Top Flare Extension	14
70.8047 6" Straight Edge Extension	15
70.8046 6" Extension with 6" Top Flare.....	16

PARTS

ILLUSTRATED DRAWING Blade Wings, Cutting Edge, & Skid Shoes



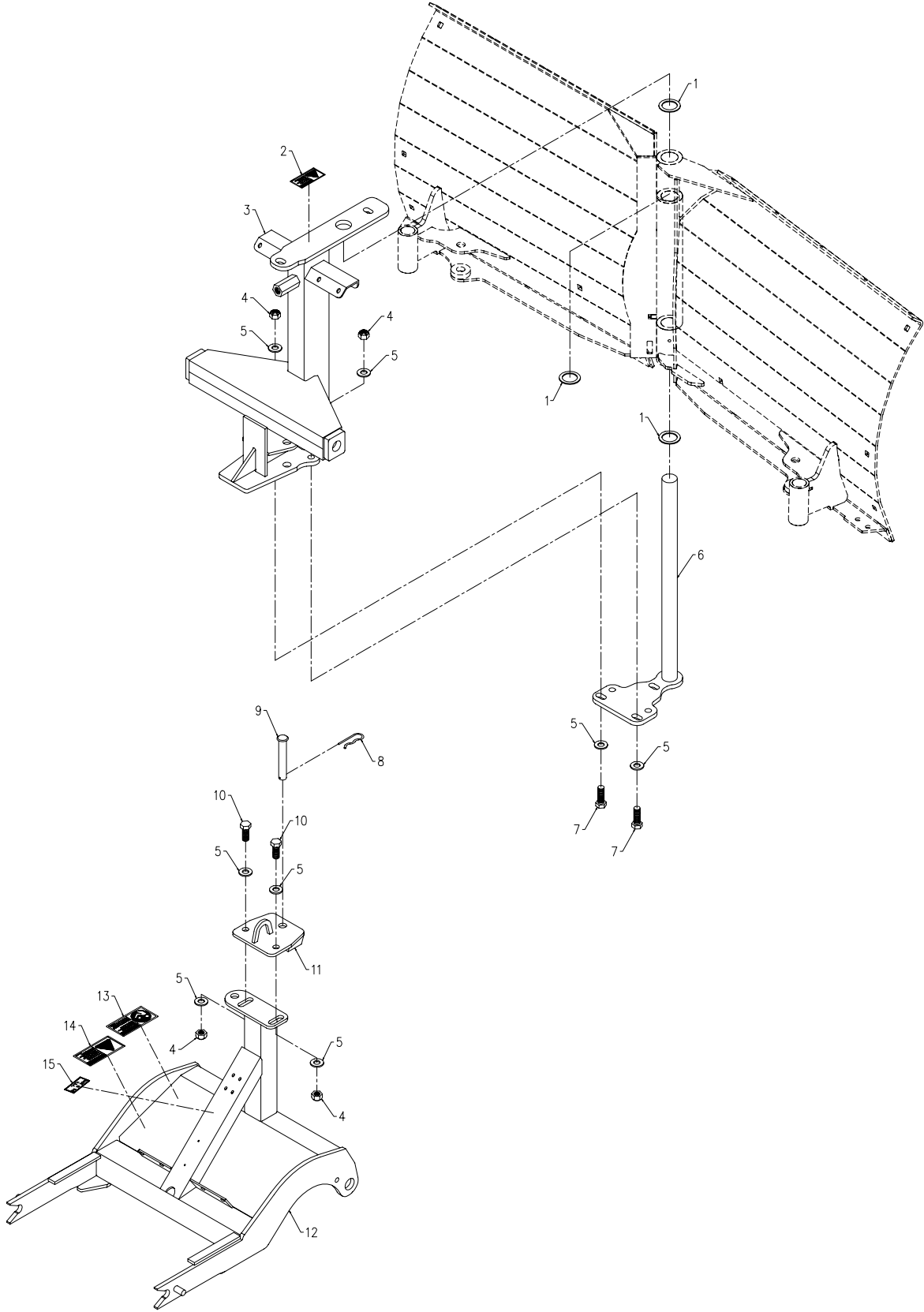
PARTS

Blade Wings, Cutting Edge, & Skid Shoes

REF.	PART NO.	DESCRIPTION	QTY.
1	97.0610	.BOLT, CARRIAGE 3/8 X 1 1/4	10
2	78.0055	.CUTTING EDGE, 3/8 X 4 X 26L	2
3	62.1329	.FRAME, WING RIGHT KV552	1
4	62.1330	.FRAME, WING LEFT KV552	1
5	29.GF0001	.GREASE FTG, 1/4 SAE ST	3
6	99.SF06	.NUT, SRF 3/8-16 USS	10
7	00.0103	.DECAL, HAZARD-HIGH PRESS.FLUID (Serial # 2001-5086)	1
7	00.0621	.DECAL, HIGH PRESSURE FLUID HAZARD (Serial # 5087-)	1
8	79.0083	.SHOE, SKID ROUND ASM	2
9	90.0812	.BOLT, 1/2-13 USS X 1 1/2	4
10	95.08	.WASHER, FLAT 1/2 SAE	10
11	99.A08	.LOCKNUT, STOVER 1/2-13 USS	5
12	64.1492	.BRACE, CENTER SKID SHOE	1
14	64.1486	.SHOE, SKID CENTER RUNNER	1
15	90.0816	.BOLT, 1/2-13 USS X 2	1
16	00.0189	.DECAL, VENTRAC ORBITAL	1
17	00.0102	.DECAL, DANGER-PINCHING HAZARD (Serial # 2001-5086)	2
17	00.0620	.DECAL, PINCHING OR CRUSHING HAZARD (Serial # 5087-)	2
31	03.0005	.PIN, LYNCH	1
32	95.16	.WASHER, FLAT 1 SAE	19

PARTS

ILLUSTRATED DRAWING Center Frame & Hitch Frame



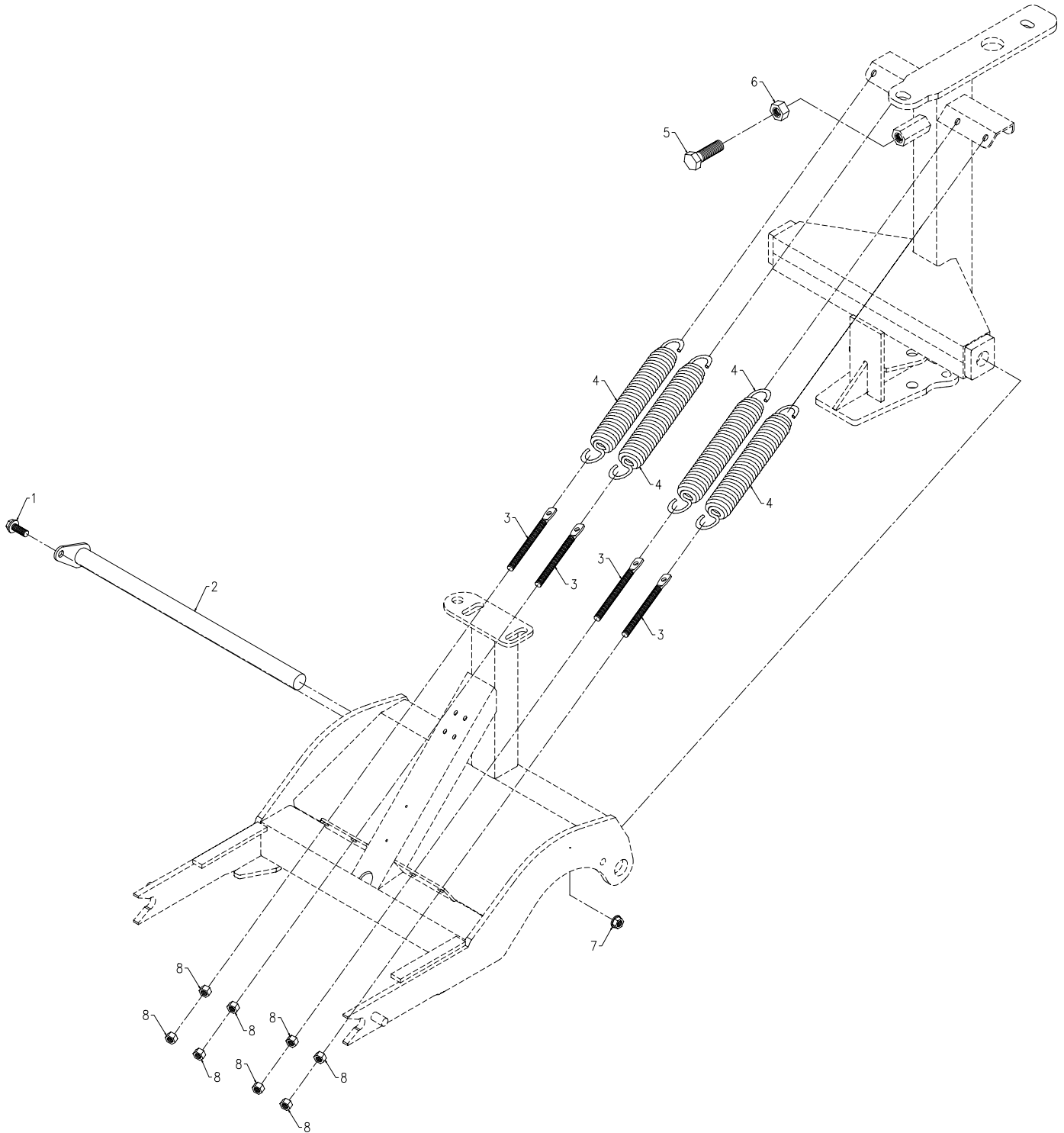
PARTS

Center Frame & Hitch Frame

REF.	PART NO.	DESCRIPTION	QTY.
1	99.B0078	WASHER, MACH 1 1/4 14 GA.	3
2	00.0218	DECAL, WARNING PINCH POINT (Serial # 2001-5086)	1
2	00.0364	DECAL, WARNING PINCH POINT (Serial # 5087-)	1
3	62.1252	FRAME, CENTER SUBFRAME	1
4	99.A08	LOCKNUT, STOVER 1/2-13 USS	4
5	95.08	WASHER, FLAT 1/2 SAE	8
6	80.0351	SHAFT, CENTER HINGE KV	1
7	90.0812	BOLT, 1/2-13 USS X 1 1/2	2
8	02.HP0416	HAIRPIN, 1/8 X 2	1
9	03.1020	CLEVIS PIN, 5/8 X 2 1/2	1
10	90.0810	BOLT, 1/2-13 USS X 1 1/4	2
11	64.1134	PLATE, TRIP LOCK	1
12	62.1024	FRAME, HITCH KV550	1
13	00.0217	DECAL, WARNING READ OWNERS MAN (Serial # 2001-5086)	1
13	00.0619	DECAL, READ OPERATOR'S MANUAL (Serial # 5087-)	1
14	00.0220	DECAL, GENERAL SAFETY (Serial # 2001-5086)	1
14	00.0632	DECAL, MOVING PARTS HAZARD (Serial # 5087-)	1
15	00.0100	DECAL, MADE IN USA	1

PARTS

ILLUSTRATED DRAWING Safety Trip Pivot & Springs



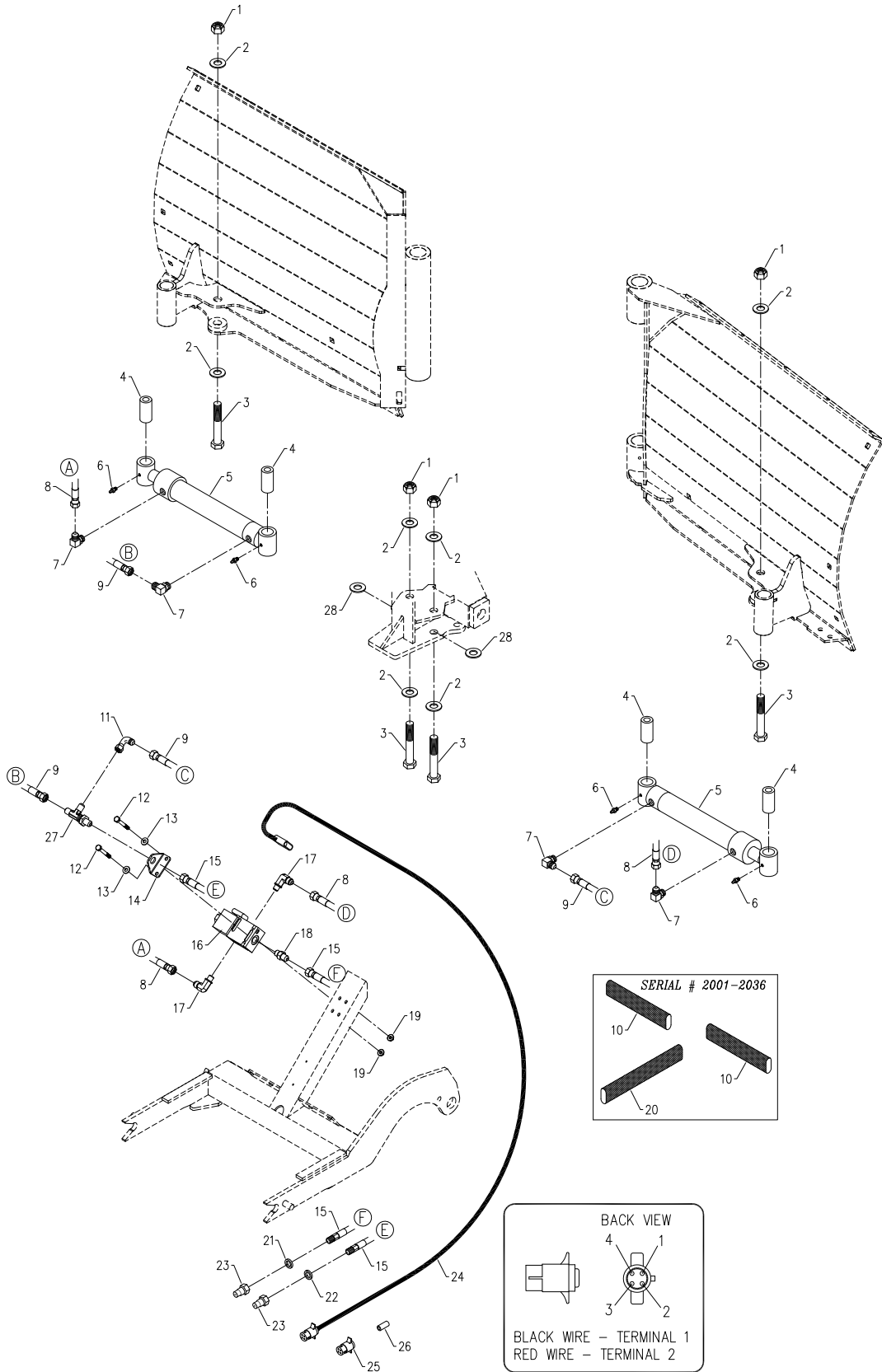
PARTS

Safety Trip Pivot & Springs

REF.	PART NO.	DESCRIPTION	QTY.
1	99.SF0608	.BOLT, SRF 3/8-16 USS X 1	1
2	80.0352	.SHAFT, TRIP/PIVOT.	1
3	99.K0094	.BOLT, HANGER 3/8-16 X 4.	4
4	41.0076	.SPRING, EXT 2" OD X 12-3/8 LG.	4
5	90.1020-2	.BOLT, 5/8-11 USS X 2-1/2 TAP.	1
6	99.E0076	.NUT, JAM 5/8-11 USS.	1
7	99.SF06	.NUT, SRF 3/8-16 USS.	1
8	92.06	.NUT, 3/8-16 USS.	8

PARTS

ILLUSTRATED DRAWING Hydraulic Cylinders, Hoses, & Solenoid Valve



PARTS

Hydraulic Cylinders, Hoses, & Solenoid Valve

REF.	PART NO.	DESCRIPTION	QTY.
1	99.A10	.LOCKNUT, STOVER 5/8-11 USS	4
2	95.10	.WASHER, FLAT 5/8 SAE	8
3	90.1032	.BOLT, 5/8-11 USS X 4	4
4	64.1248	.BUSHING, 21/32 X 1" X 2-1/16"L	4
5	23.0137	.CYLINDER, 1-1/2 X 8 X 1 ROD KV	2
6	29.GF0001	.GREASE FTG, 1/4 SAE ST	4
7	25.6801-06-06	.FITTING, 90 ME 3/8 X 3/8	4
8	20.0112	.HOSE, 1/4X28.00 SAE 100R17AR	2
9	20.0136	.HOSE, 1/4X36.00 SAE 100R17 AR	2
10	56.0060-24	.SLEEVE, HOSE 1.25 X 24" (Serial # 2001-2036)	2
11	25.6500-06-06	.FITTING, 90 MFE 3/8 X 3/8	1
12	90.0416	.BOLT, 1/4-20 USS X 2	2
13	95.04	.WASHER, FLAT 1/4 SAE	2
14	64.1136	.BRACKET, HYD BULKHEAD FITTING	1
15	20.0209	.HOSE, 1/4X45.00 SAE 100R17 AR	2
16	23.0136-1	.VALVE, DIRECTIONAL CONTROL 12V (Serial # 2001-3180)	1
16	23.0164	.VALVE, DIRECTIONAL CONTROL 12V (Serial # 3181-)	1
17	25.6801-06-04	.FITTING, 90 ME 3/8 X 1/4 (Serial # 2001-3180)	2
17	25.6801-06-06	.FITTING, 90 ME 3/8 X 3/8 (Serial # 3181-)	2
18	25.6400-06-04	.FITTING, M CONN 3/8 X 1/4 (Serial # 2001-3180)	1
18	25.6400-06-06	.FITTING, M CONN 3/8 X 3/8 (Serial # 3181-)	1
19	99.SF04	.NUT, SRF 1/4-20 USS	2
20	56.0060-36	.SLEEVE, HOSE 1.25 X 36" (Serial # 2001-2036)	1
21	05.0117	.WASHER, .544ID X .817 X.14 YEL	1
22	05.0116	.WASHER, .544ID X .817 X.14 RED	1
23	23.0104	.COUPLER, HYD. QUICK MALE 1/4	2
24	34.1400-1011	.WIRE, 14 GA CORD X 60" (Serial # 2001-3180)	1
24	32.0171	.HARNESS, 12V SELECTOR (Serial # 3181-)	1
25	30.0218	.PLUG, TRAILER 4-PIN MALE	1
26	27.A04-11N	.HOSE, NEOP BLACK 1/4 X 7/16 X 1" (Serial # 2001-3180)	1
27	25.2704-6-6-6LN	.FITTING, BULKHEAD T 3/8 W/LNUT	1
28	95.10	.WASHER, FLAT 5/8 SAE	as required

PARTS

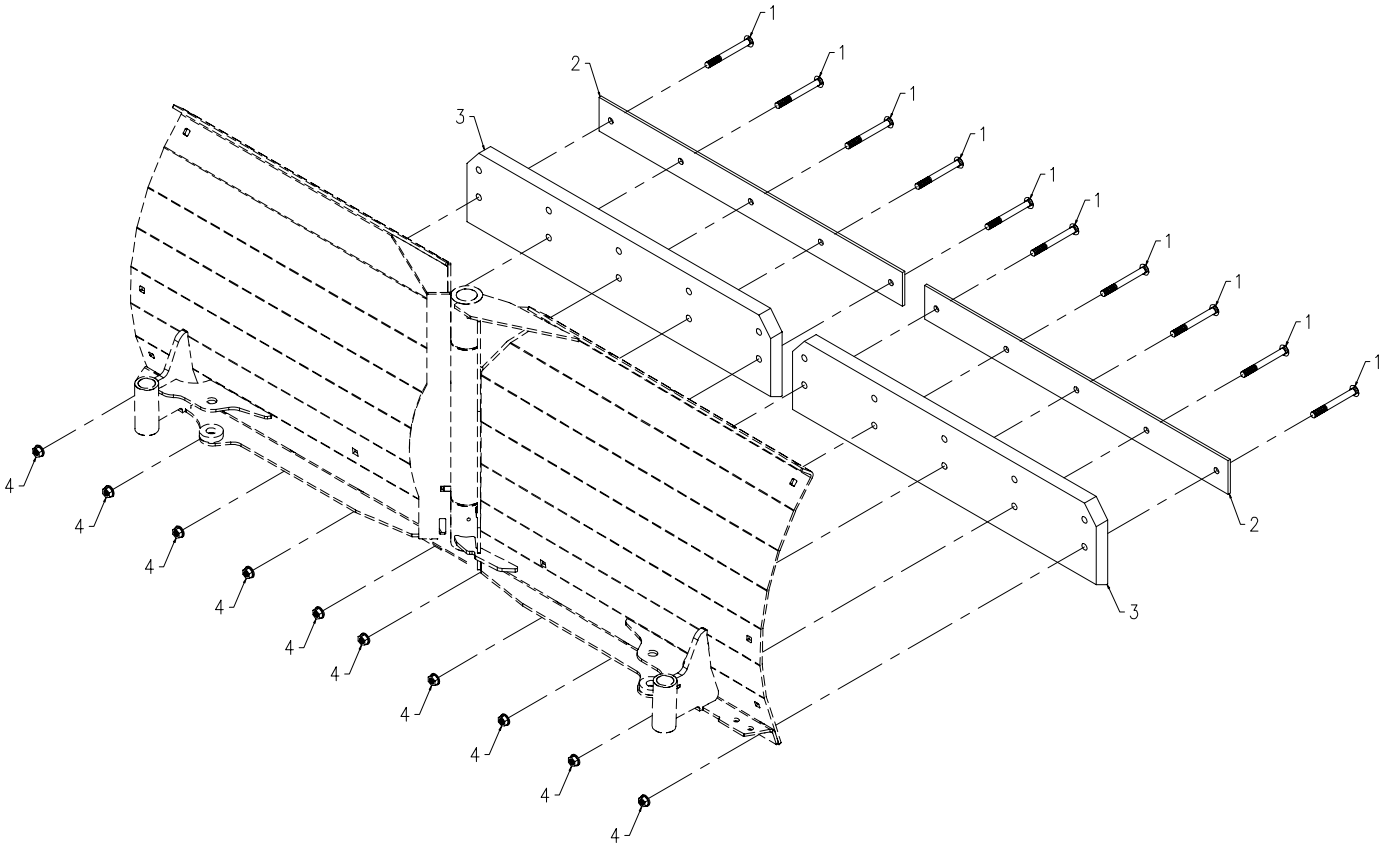
ILLUSTRATED DRAWING 70.8044 Snow Containment Flap



REF.	PART NO.	DESCRIPTION	QTY.
1	90.0406	BOLT, 1/4-20 USS X 3/4	10
2	95.04	WASHER, FLAT 1/4 SAE	14
3	90.0408	BOLT, 1/4-20 USS X 1	4
4	64.1143	CLAMP, BELTING 34 X 1	2
5	44.0216	BELTING, SNOW DEFLECTION	2
6	99.SF06	NUT, SRF 3/8-16 USS	14

PARTS

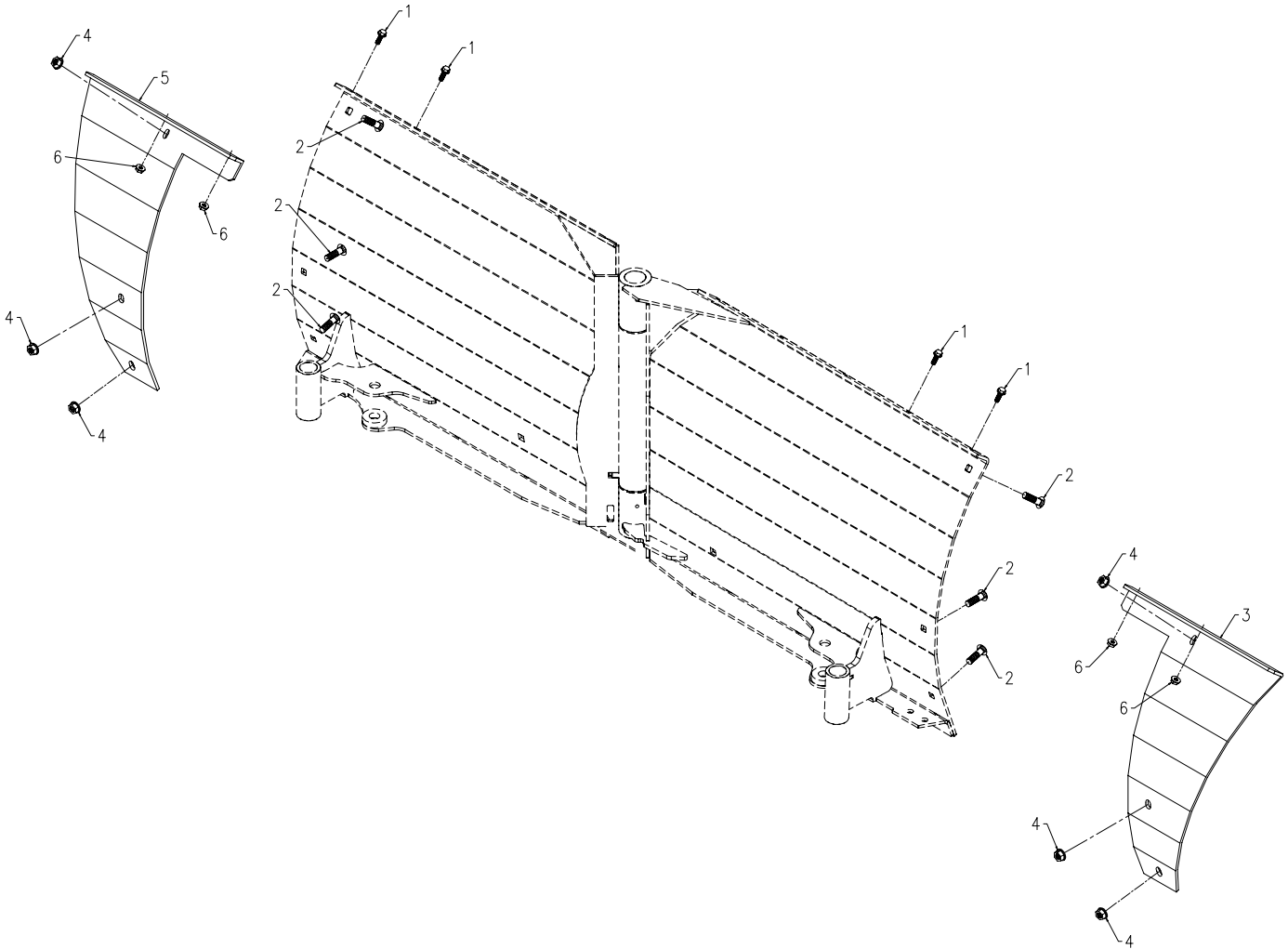
ILLUSTRATED DRAWING 70.8048 Polyurethane Cutting Edge



REF.	PART NO.	DESCRIPTION	QTY.
1	97.0616	BOLT, CARRIAGE 3/8 X 2	10
2	64.1144	CLAMP, POLY BACKER 26L	2
3	44.0217	CUTTING EDGE, POLY 1 X 6 X 26L	2
4	99.SF06	NUT, SRF 3/8-16 USS	10

PARTS

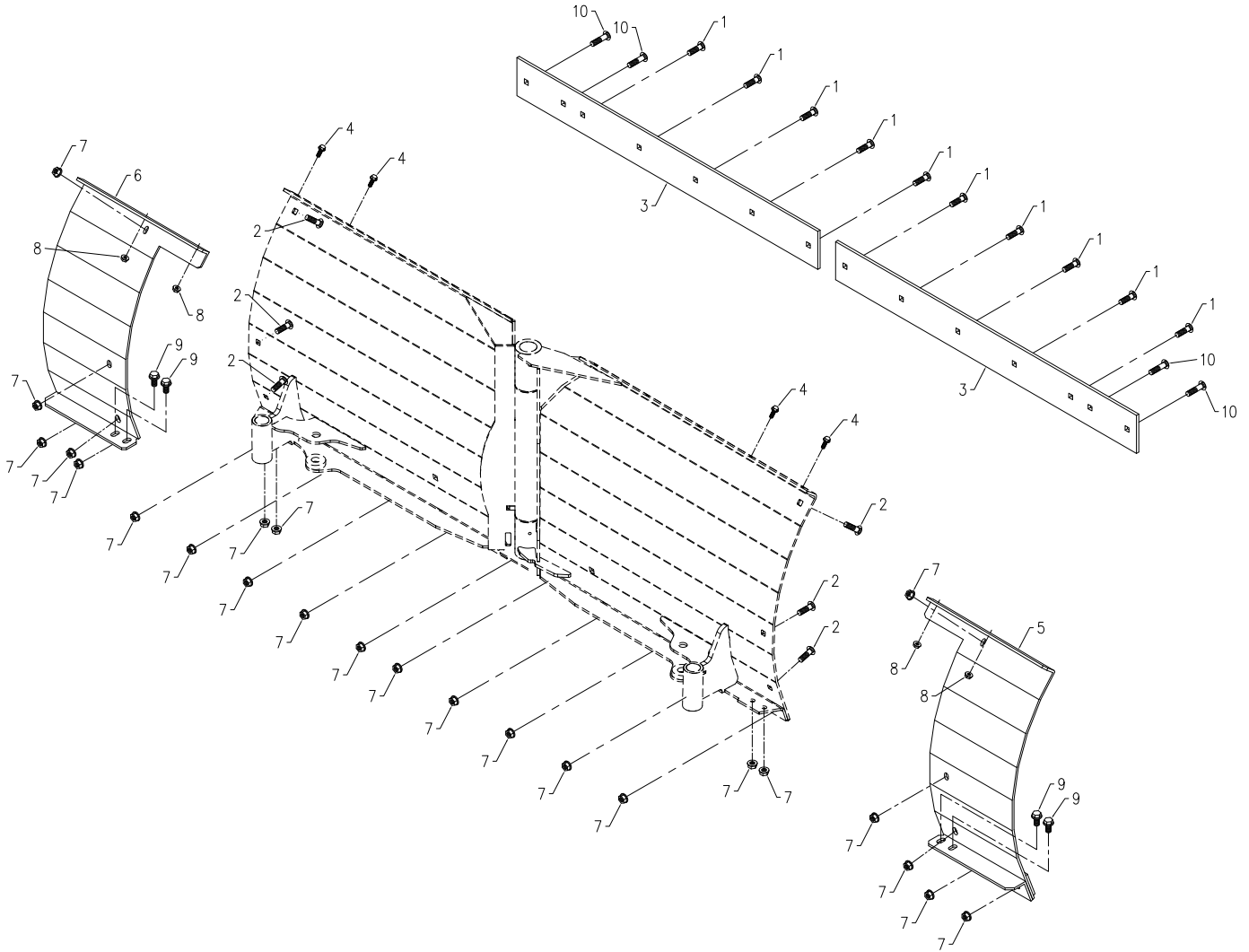
ILLUSTRATED DRAWING 70.8045 6" Top Flare Extension



REF.	PART NO.	DESCRIPTION	QTY.
1	99.SF0406	.BOLT, SRF 1/4-20 X 3/4	4
2	97.0608	.BOLT, CARRIAGE 3/8 X 1	6
3	60.0889	.EXTENSION, FLARE RH	1
4	99.SF06	.NUT, SRF 3/8-16 USS	6
5	60.0890	.EXTENSION, FLARE LH	1
6	99.SF04	.NUT, SRF 1/4-20 USS	4

PARTS

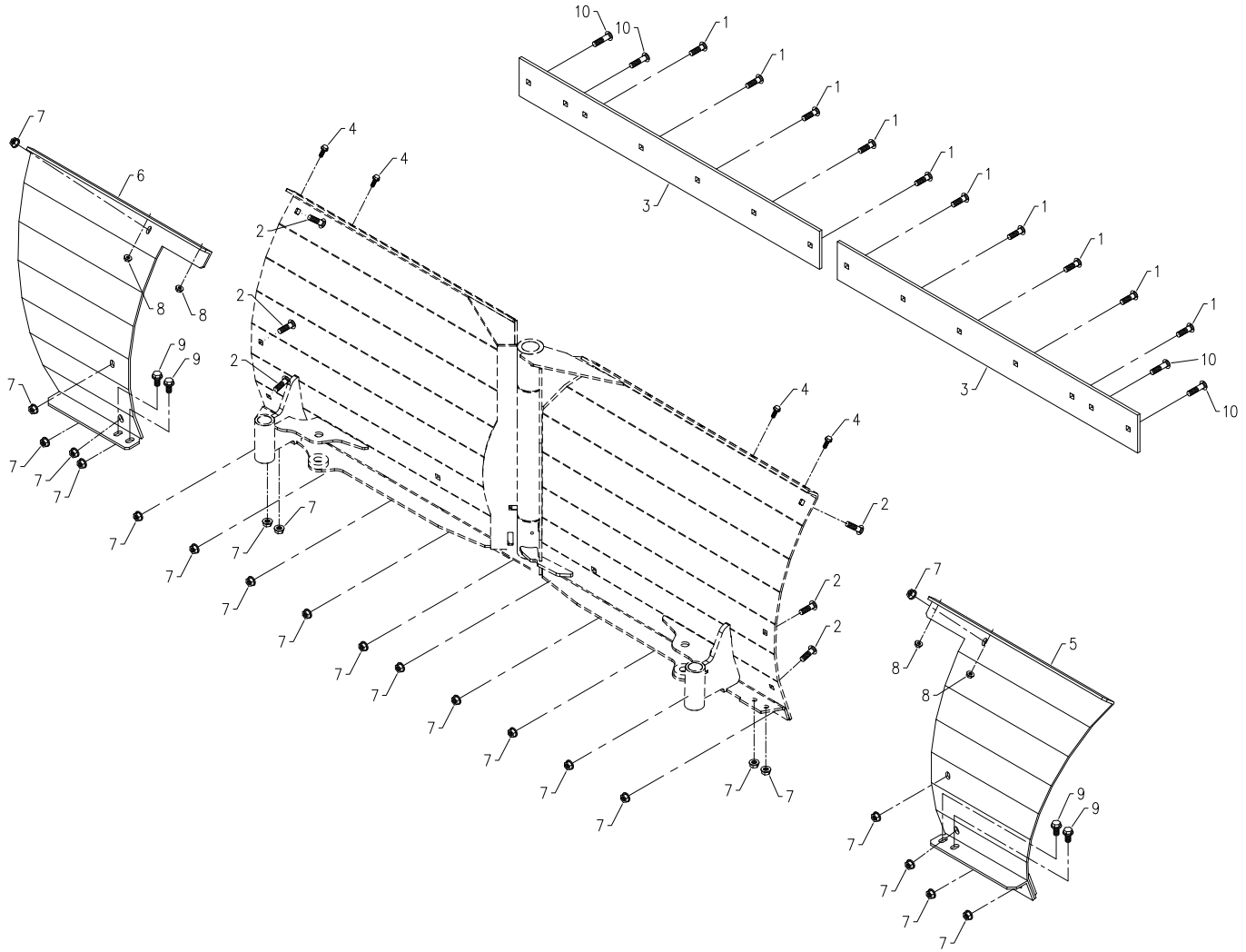
ILLUSTRATED DRAWING 70.8047 6" Straight Edge Extension



REF.	PART NO.	DESCRIPTION	QTY.
1	97.0610	.BOLT, CARRIAGE 3/8 X 1 1/4	10
2	97.0608	.BOLT, CARRIAGE 3/8 X 1	6
3	78.0056	.CUTTING EDGE, 32" THRU HARD	2
4	99.SF0406	.BOLT, SRF 1/4-20 X 3/4	4
5	62.1028	.FRAME, 6" STRAIGHT WING EXT RH	1
6	62.1029	.FRAME, 6" STRAIGHT WING EXT LH	1
7	99.SF06	.NUT, SRF 3/8-16 USS	24
8	99.SF04	.NUT, SRF 1/4-20 USS	4
9	99.SF0606	.BOLT, SRF 3/8-16 USS X 3/4	4
10	97.0612	.BOLT, CARRIAGE 3/8 X 1 1/2	4

PARTS

ILLUSTRATED DRAWING 70.8046 6" Extension with 6" Top Flare



REF.	PART NO.	DESCRIPTION	QTY.
1	97.0610	.BOLT, CARRIAGE 3/8 X 1 1/4	10
2	97.0608	.BOLT, CARRIAGE 3/8 X 1	6
3	78.0056	.CUTTING EDGE, 32" THRU HARD.	2
4	99.SF0406	.BOLT, SRF 1/4-20 X 3/4	4
5	62.1030	.FRAME, 6" FLARE WING EXT RH	1
6	62.1031	.FRAME, 6" FLARE WING EXT LH.	1
7	99.SF06	.NUT, SRF 3/8-16 USS.	24
8	99.SF04	.NUT, SRF 1/4-20 USS.	4
9	99.SF0606	.BOLT, SRF 3/8-16 USS X 3/4	4
10	97.0612	.BOLT, CARRIAGE 3/8 X 1 1/2	4