



25-150HP

MERCURY FOURSTROKE





**ADVENTURE DOESN'T REQUIRE A ROADMAP.
OR A ROAD. OR A MAP.**

Wide-open water and unexplored inlets. Trophy fish and tiny curiosities. They're all out there waiting to be discovered, ready to make us feel alive. We don't know exactly where it all is, but we know how to get you there.

METICULOUSLY DESIGNED FOR COMPLETELY SPONTANEOUS DAYS

Let's go. For decades, the start of a Mercury® FourStroke outboard has also meant the start of an adventure. With innovative engineering and refined performance, our 25 to 150hp engines carry on that same pioneering legacy. Mercury FourStroke outboards feature efficient, lightweight designs that ensure no power goes wasted. So whether your day calls for a vacation or a voyage, a Mercury FourStroke outboard is the perfect accessory for your next adventure.



03
MERCURY FOURSTROKE





THE FASTEST WAY TO FARAWAY

Powerful performance and lightweight design go together like the open water and a sense of adventure. Mercury 75 to 150hp FourStroke outboards propel a wide range of boats, delivering instantly responsive torque for exciting hole shots and top speed. And with the quiet comfort of a vibration-dampening Focused Mount System and optimized fuel efficiency, Mercury FourStroke outboards invite you to explore well beyond the horizon.



L4 FOURSTROKE

75/90/115
HORSEPOWER

2.1
LITERS



L4 FOURSTROKE

150
HORSEPOWER

3.0
LITERS



DESIGNED FOR EFFORTLESS EXPLORATION

It's simple. You have places to go, and the Mercury 40 to 60hp FourStroke family of outboards is the easiest way to get there. Electronic fuel injection for reliable starts and increased efficiency. Smooth performance. Impressive torque. Rugged durability. It's everything you need to get more out of your time on the water.



L3 FOURSTROKE

40 HORSEPOWER 747 CC

L4 FOURSTROKE

40/50/60 HORSEPOWER 995 CC





MADE FOR OVSIZED ADVENTURES

Season after season, year after year, generations of boaters have confidently relied on Mercury 25 to 30hp FourStroke outboards. With easy installation, reliable, battery-free starts, and impressive performance, this FourStroke family makes the fun feel closer than ever.

L3 FOURSTROKE


25/30 HORSEPOWER 500 CC



25HP PROKICKER

A POWERFUL PARTNER

It's all about convenience. When you need to dial in trolling speed or want to reduce hours on your main engine, a Mercury 25hp ProKicker outboard is a reliable complement.





ENHANCED COMFORT
QUIETER BY DESIGN

With a balanced powerhead and sophisticated cowl design, Mercury FourStroke outboards deliver an exceptionally smooth and quiet ride at any speed.

EFFICIENT POWER
MORE FUN ON LESS FUEL

Explore farther and stay out longer thanks to an impressive power-to-weight ratio and optimized fuel injection that maximize performance from every drop of fuel.

COMMAND THRUST
MORE CONTROL FROM THE PROP UP

An available Command Thrust gearcase features a larger torpedo that can swing bigger props, getting heavily loaded boats on plane quicker and keeping them there with lower rpm. *Available on 40, 50, 60, 90 and 115hp FourStroke outboards.*

EASY OWNERSHIP
MORE WEEKENDS WITH LESS WORK

With features ranging from a no-spill oil change system and easy-access fuel filter, to a valve train that remains maintenance-free for the life of your engine, Mercury FourStroke outboards are easy to maintain for lasting peak performance.

COMPACT DESIGN
MAKE THE MOST OF EVERY SQUARE INCH

Ideal for new engine setups or repowers, the slender width of a Mercury FourStroke outboard fits most transoms, including those with narrow engine wells and tight motor spacing.

THE FOURSTROKE ADVANTAGE





THE POWER TO DO MORE

Learn more at mercurymarine.com/smartcraft.



VESSELVIEW MOBILE EVERY ENGINE HAS A STORY TO TELL

Perpetual, personalized access to engine data and more. VesselView Mobile® monitors up to four engines, all in one convenient, intuitive app. VesselView Mobile features include customizable engine performance data displays, notifications and warnings, maps, checklists and maintenance reminders.

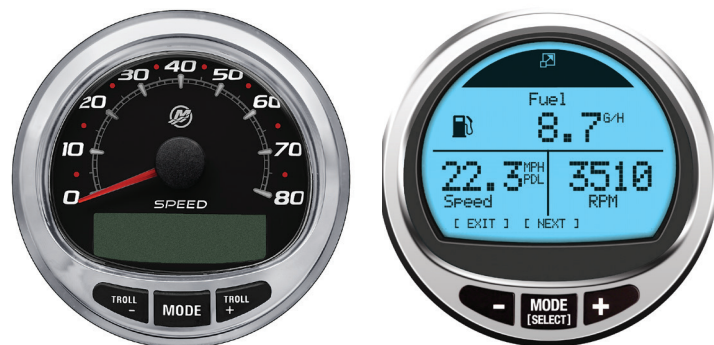


SMARTCRAFT CONNECT & VESSELVIEW LINK FROM THE TRANSOM TO THE TOUCHSCREEN

VesselView Link and SmartCraft® Connect adapters pair VesselView® data and controls with multi-function displays from Garmin®, Raymarine®, Simrad® and Lowrance®. Adapters accommodate up to four engines, enabling select SmartCraft features and aggregating chartplotting, radar, sonar, audio controls and CZone® digital switching onto one display.

DIGITAL GAUGES ALL-ACCESS ENGINE DATA

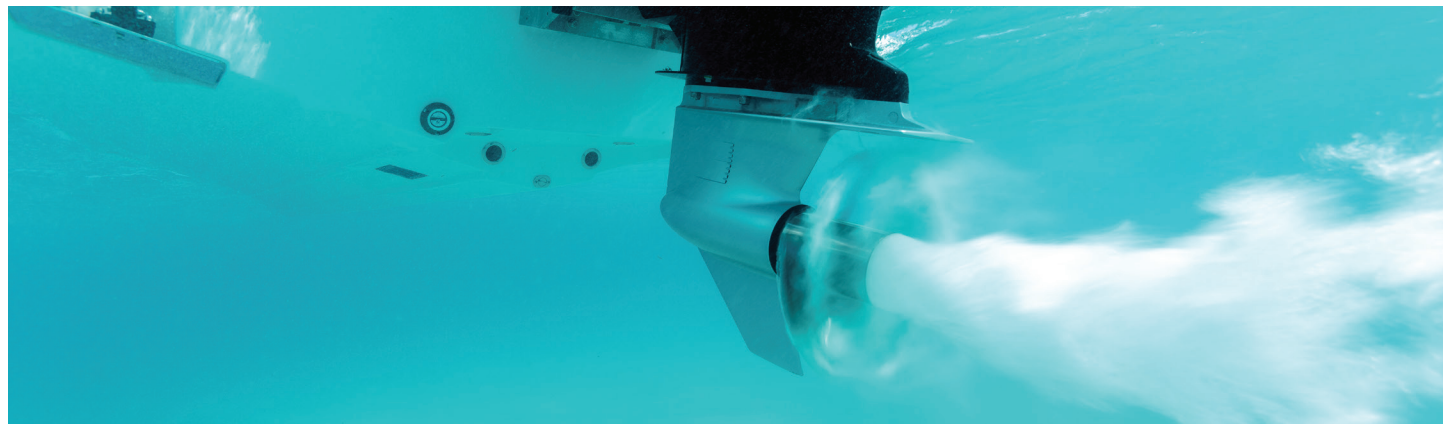
Digital monitoring that keeps you in complete control. MercMonitor, SC100 and SC1000 gauges provide precise insights into boat and motor functions such as speed, rpm, depth, trim and fuel flow, while also enabling SmartCraft technologies like Troll Control.



TILLER STEERING MAXIMIZED SPACE AND CONTROL

Featuring digital Troll Control, Mercury tillers enable refined speed adjustments in increments as small as 10 rpm. Mercury 40 to 115hp tillers boast a reversible throttle grip, convenient tilt-lock system and intuitive touch points. Available for 150 to 300hp FourStroke outboards, the Mercury Big Tiller combines an ergonomic tiller handle with smooth power steering.





PROPELLERS

WHERE THE RPMs MEET THE H₂O

Mercury propellers are engineered to convert every bit of FourStroke horsepower into unmatched performance. With innovative technology and superior materials behind them, Mercury props set the standard for premium design and durability.

Find the ideal prop for your outboard at mercurymarine.com/propselector.



HUB KITS

Mercury hub kits reduce noise, vibration and harshness at the source. They provide a cushion between the prop and prop shaft, enhancing durability and protecting the drivetrain from most accidental prop impacts.



PVS

Mercury props don't take anything for granted. Our exclusive Performance Vent System® (PVS) lets you custom tune propeller venting, ensuring optimal acceleration.

EXCLUSIVE METALS

Meet the materials made specifically to propel Mercury engines. X7® stainless steel alloy is 4x more durable and 30% stronger than conventional stainless, allowing Mercury to design props that would otherwise be impossible.

Mercalloy® aluminum is designed specifically for the diecast process, helping us produce high-quality props, free of porosity for increased strength.



SERVICE & MAINTENANCE

FEWER WORRIES, MORE TIME ON THE WATER

Learn more at mercurymarine.com/find-a-dealer.



WARRANTY

A Mercury FourStroke outboard is made to last. Every engine is backed with a three-year limited warranty and an industry-exclusive three-year corrosion warranty.



MERCURY PRODUCT PROTECTION

Get up to eight years of total coverage with Mercury Product Protection, a factory-backed extended service contract that covers certain expenses beyond the term of the Mercury limited warranty.



DEALER NETWORK

If your engine requires service, an extensive network of factory-trained dealers and master technicians is ready with genuine Mercury replacement parts and accessories to get you back on the water.

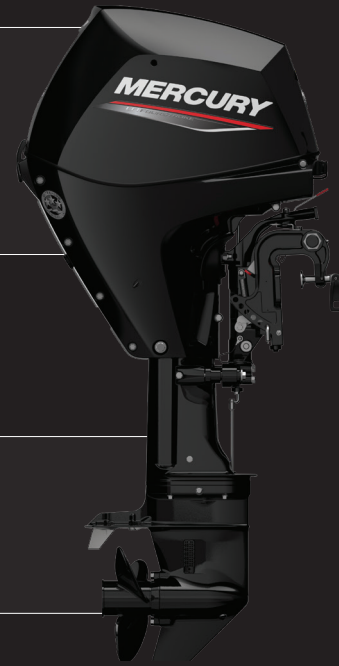


PRECISION CARE

Mercury Precision Parts® provide original factory fit and performance to help keep your engine running like new and performing at its peak. Mercury Precision Lubricants® are specially formulated and tested to exceed our high standards and keep engines running smoothly, no matter where your days take you.

FOURSTROKE SPECIFICATIONS

HP	25 ProKicker	25	30
WOT RPM:	5400-5800	5400-5800	5800-6200
Engine Type:	Inline-3 (6-valve, SOHC)	Inline-3 (6-valve, SOHC)	Inline-3 (6-valve, SOHC)
Displacement:	500cc (30.5 cu in)	500cc (30.5 cu in)	500cc (30.5 cu in)
Induction:	Performance-tuned scroll intake manifold	Performance-tuned scroll intake manifold	Performance-tuned scroll intake manifold
Starting:	Electric	Manual or electric	Manual or electric
Gear Ratio:	2.17:1	2.17:1	2.17:1
Alternator:	17 amp (210 watt) electric-start models	17 amp (210 watt) electric-start models	17 amp (210 watt) electric-start models
Trim System:	Power tilt	6-position manual or power tilt	6-position manual w/ gas assist or power tilt
Dry Weight:	155lbs (70.3kg)	133lbs (60kg)	149lbs (67.6kg)
Steering:	Remote	Remote or tiller	Remote or tiller
Fuel Compatibility:	87 octane minimum / up to 10% ethanol	87 octane minimum / up to 10% ethanol	87 octane minimum / up to 10% ethanol
Shaft Length:	20 in (508mm) 25 in (635mm)	15 in (381mm) 20 in (508mm) 25 in (635mm)	15 in (381mm) 20 in (508mm) 25 in (635mm)



40 / 40 Carburetor	40 CT	50 / 50 CT	60 / 60 CT
5500-6000	5500-6000	5000-6000	5500-6000
Inline-3 (6-valve, SOHC)	Inline-4 (8-valve, SOHC)	Inline-4 (8-valve, SOHC)	Inline-4 (8-valve, SOHC)
747cc (45.6 cu in)	995cc (60.8 cu in)	995cc (60.8 cu in)	995cc (60.8 cu in)
Performance-tuned scroll intake manifold	Performance-tuned scroll intake manifold	Performance-tuned scroll intake manifold	Performance-tuned scroll intake manifold
Electric (turnkey) / manual	Electric (turnkey)	Electric (turnkey)	Electric (turnkey)
2.00:1	2.33:1	1.83:1 / 2.33:1	1.83:1 / 2.33:1
18 amp (226 watt)	18 amp (226 watt)	18 amp (226 watt)	18 amp (226 watt)
Gas assist or power trim and tilt / gas assist trim	Power trim and tilt	Power trim and tilt	Gas assist or power trim and tilt
216lbs (98kg) / 204lbs (93kg)	260lbs (118kg)	247lbs (112kg) / 260lbs (118kg)	247lbs (112kg) / 260lbs (118kg)
Remote or tiller / tiller	Remote or tiller	Remote or tiller	Remote or tiller
87 octane minimum / up to 10% ethanol	87 octane minimum / up to 10% ethanol	87 octane minimum / up to 10% ethanol	87 octane minimum / up to 10% ethanol
15 in (381mm) 20 in (508mm)	20 in (508mm)	20 in (508mm)	20 in (508mm) 25 in (635mm)



HP	75	90 / 90 CT	115 / 115 CT
WOT RPM:	4500-5500	5000-6000	5000-6000
Engine Type:	Inline-4 (8-valve, SOHC)	Inline-4 (8-valve, SOHC)	Inline-4 (8-valve, SOHC)
Displacement:	2.1L (126 cu in)	2.1L (126 cu in)	2.1L (126 cu in)
Induction:	Performance-tuned scroll intake manifold	Performance-tuned scroll intake manifold	Performance-tuned scroll intake manifold
Starting:	Electric start with SmartStart Protection	Electric start with SmartStart Protection	Electric start with SmartStart Protection
Gear Ratio:	2.07:1	2.07:1 / 2.38:1	2.07:1 / 2.38:1
Alternator:	35 amp (441 watt)	35 amp (441 watt)	35 amp (441 watt)
Trim System:	Power trim and tilt	Power trim and tilt	Power trim and tilt
Dry Weight:	359lbs (163kg)	359lbs (163kg) / 363lbs (165kg)	359lbs (163kg) / 363lbs (165kg)
Steering:	Mechanical Hydraulic Tiller	Mechanical Hydraulic Tiller	Mechanical Hydraulic Tiller
Fuel Compatibility:	87 octane minimum / up to 10% ethanol	87 octane minimum / up to 10% ethanol	87 octane minimum / up to 10% ethanol
Shaft Length:	20 in (508mm)	20 in (508mm) 25 in (635mm)	20 in (508mm) 25 in (635mm)



HP	150
WOT RPM:	5000-5800
Engine Type:	Inline-4 (8-valve, SOHC)
Displacement:	3.0L (183 cu in)
Induction:	Performance-tuned scroll intake manifold
Starting:	Electric start with SmartStart Protection
Gear Ratio:	1.92:1
Alternator:	60 amp (756 watt)
Trim System:	Power trim and tilt
Dry Weight:	455lbs (206kg)
Steering:	Mechanical Hydraulic Tiller
Fuel Compatibility:	87 octane minimum / up to 10% ethanol
Shaft Length:	20 in (508mm) 25 in (635mm)



**Dry weight specification is for the lightest-version model. Note: Due to our constant efforts to offer the finest products available, we reserve the right to change specifications without notice.*

Visit MercuryMarine.com or your Mercury Authorized Dealer for more engine specs and test results.



MERCURY

GO BOLDLY.®

© 2022 Mercury Marine. All Rights Reserved. Reproduction in whole or in part without permission is prohibited.

CZONE is a registered trademark of Power Products, LLC. GARMIN is a registered trademark of Garmin Ltd. LOWRANCE is a registered trademark of Navico Holding AS Corporation. RAYMARINE is a registered trademark of Teledyne FLIR, LLC. SIMRAD is a registered trademark of Kongsberg Maritime AS Company. All other trademarks belong to Brunswick Corporation.

Product information in this brochure is accurate as of May, 2022. For the latest content, please visit [MercuryMarine.com](https://www.MercuryMarine.com)

8M0189528