

FERRI[®]

Boom mowers for agriculture
and green areas

T460
SMART

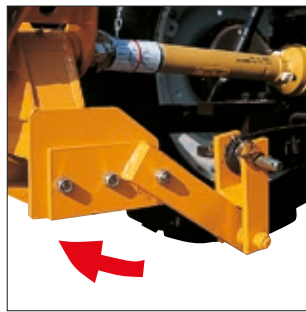
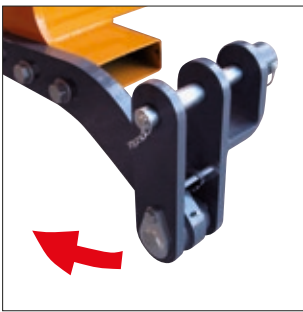


T460

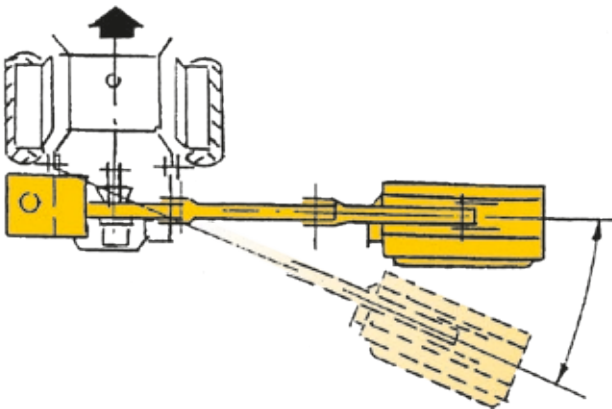
SMART

An innovative project for a modern agriculture. An ambitious task was given to the Ferri technical department: to realize a compact, reliable, strong and lightweight boom mower.

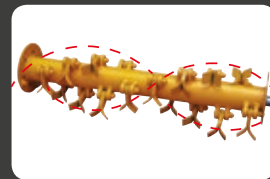
The reliability and strength are ensured by the new Delta Box frame. Compact but powerful, the pump engaging the rotor is entirely cast iron made.



Mechanical breakaway
(arm protection in case of obstacles)



Boom mowers for agriculture and green areas



"Overlap" spiral rotor with two spiral rows.



Floating system.

FERRI®



Flail head angle 190°



Cast iron hydraulic rotor pump group 3



classic
Cable controls



Cutter bar

IMPLEMENTS




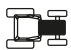


Boom mowers for agriculture and green areas






Technical data		T460 SMART
Model		DUAL
Max horizontal reach*	ft	15'1"
3 Points Linkage	Cat.	II
Weight	lbs	1279
Oil	gal	31.7
P.t.o.	MAX Rpm	540

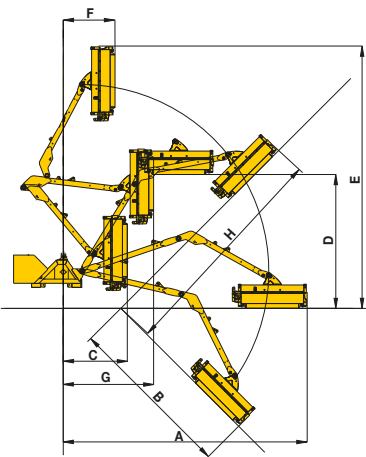
* Reach measured from tractor centre line to head edge.

Flail head		TID100	 <p>TID100 Direct Drive</p>
Width of cut	ft	3'3"	
Rotor speed	Rpm	3000	
Blade tip speed	ft/sec	196	
Flail head angle		190°	
Weight	lbs	284	
Power available to the rotor	HP	35	
Power max to hydraulic motor	HP	45	

Tractor						
HP			50	60	70	
T460 SMART DUAL						4850 lbs
						Min. Tractor weight
						Min. Tractor width
						5'11" ft

Flails		N°
TID100 Interchangeable on the same rotor		
Multi-use and straight blades for: grass, shrubs, bushes, sticks, wood.	Ø max 1" 1/4 	36+18
Articulated Y blades for: grass and bushes	Ø max 3/4" 	36
Bootie blades for: grass, hedges, bushes	Ø max 3/4" 	18

Working positions (ft)		
		T460 SMART DUAL
A	ft	15'1"
B	ft	10'4"
C	ft	3'9"
D	ft	7'6"
E	ft	16'3"
F	ft	3'1"
G	ft	5'4"
H	ft	13'9"



All data subject to change campbelladv.com 68818 T460 - USA - EN Rev3 - 110



FERRI srl
Via Govoni, 30
44034 Tamara (FE) Italy
Tel. +39 0532 866866
Fax +39 0532 866851
info@ferrisrl.it - www.ferrisrl.it



North America Sales and Marketing Manager / FERRI
Ronald E. Roglis - Glenarm, Illinois 62536
Cell (314) 422-9460 - Fax (217) 483-4123
ron.roglis@gmail.com

Parts Stock / FERRI:
J.S. Woodhouse Co., Inc. - 1314 Union Street
P.O. Box 1169 - West Springfield, Ma. 01090 U.S.A.
tel. 413-736-5462 - fax 413-732-3786
info@jswoodhouse.com

www.ferri-america.com