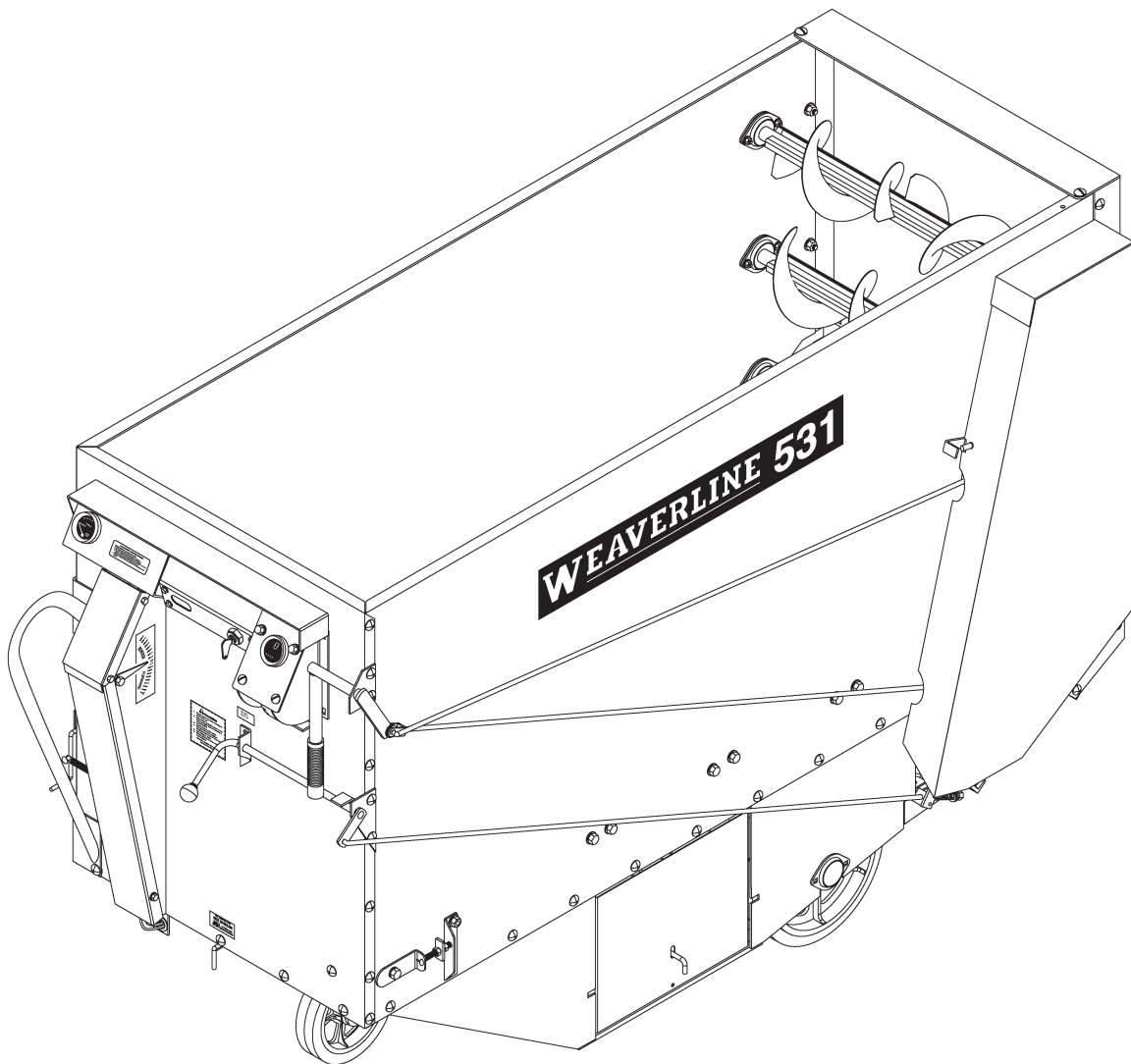


# BATTERY POWERED FEED CART

## PARTS MANUAL

FOR

MODELS 521, 525, 531 & 537



**WEAVERLINE**

Churchtown, PA 17555

**MARCH 2009**

CAT.# PM521525531537-0309

### WARRANTY

Weaverline battery power feed cart are designed and manufactured to high quality standards. Weaverline, LLC therefor guarantees this equipment to be free from defect in workmanship and materials for one (1) year from the date of purchase.

**This Warranty is further described as:**

- Full warranty on all parts for one (1) year from the date of purchase.
- The motor and hydrostatic transmission have a three (3) year Pro-Rata warranty.
- The batteries have a four (4) year Pro-Rata warranty.

**This warranty is for parts only. Warranty does not include labor.**

Misuse, abuse, misapplication, and unauthorized alterations will void this warranty.

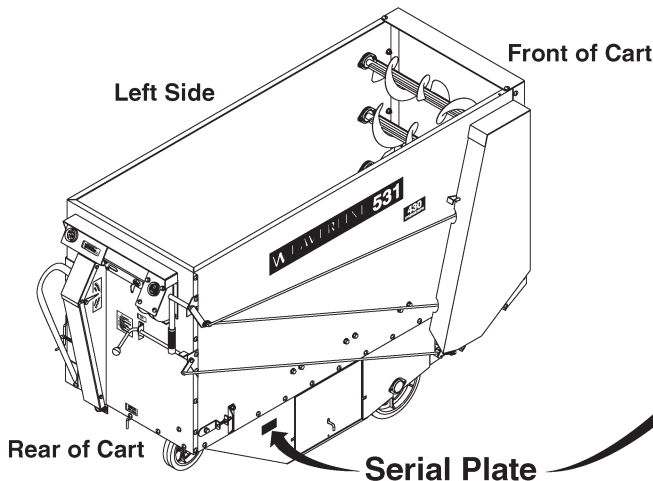
### PARTS AND SERVICE

Weaverline recommends going to your local Weaverline dealer when replacement parts and service are required. Weaverline dealers have experience in servicing these machines and stock most of the parts needed to keep your feed cart in working condition.

If you do not know who your local dealer is, or if your local dealer is unable to supply the parts that you need, please contact Weaverline, LLC, 180 Bootjack Road, Churchtown, PA 17555 Phone number 717-445-6724 for information on receiving parts and service.

### MODEL AND SERIAL NUMBERS

It is very important that the correct model and serial number is provided when ordering parts. The serial plate is located on the rear right corner of the undercarriage. Always refer to these numbers when ordering options, parts, service or information. Enter this information below for speed reference. **Removal of or tampering with this tag can void warranty!**



<b>WEAVERLINE, LLC</b>	
Model No.	<input type="text"/>
Serial No.	<input type="text"/>
CHURCHTOWN, PA 17555-9705	

**NOTE:** Weaverline, LLC reserves the right to discontinue models at any time, change specifications, and improve design without incurring obligation on goods previously purchased and to discontinue supplying any part listed when the demand does not warrant production. However, Weaverline tries to supply original parts or a comparable replacement for at least ten (10) years after a model production is stopped.

# Parts List Index

# WEAVERLINE

## Group

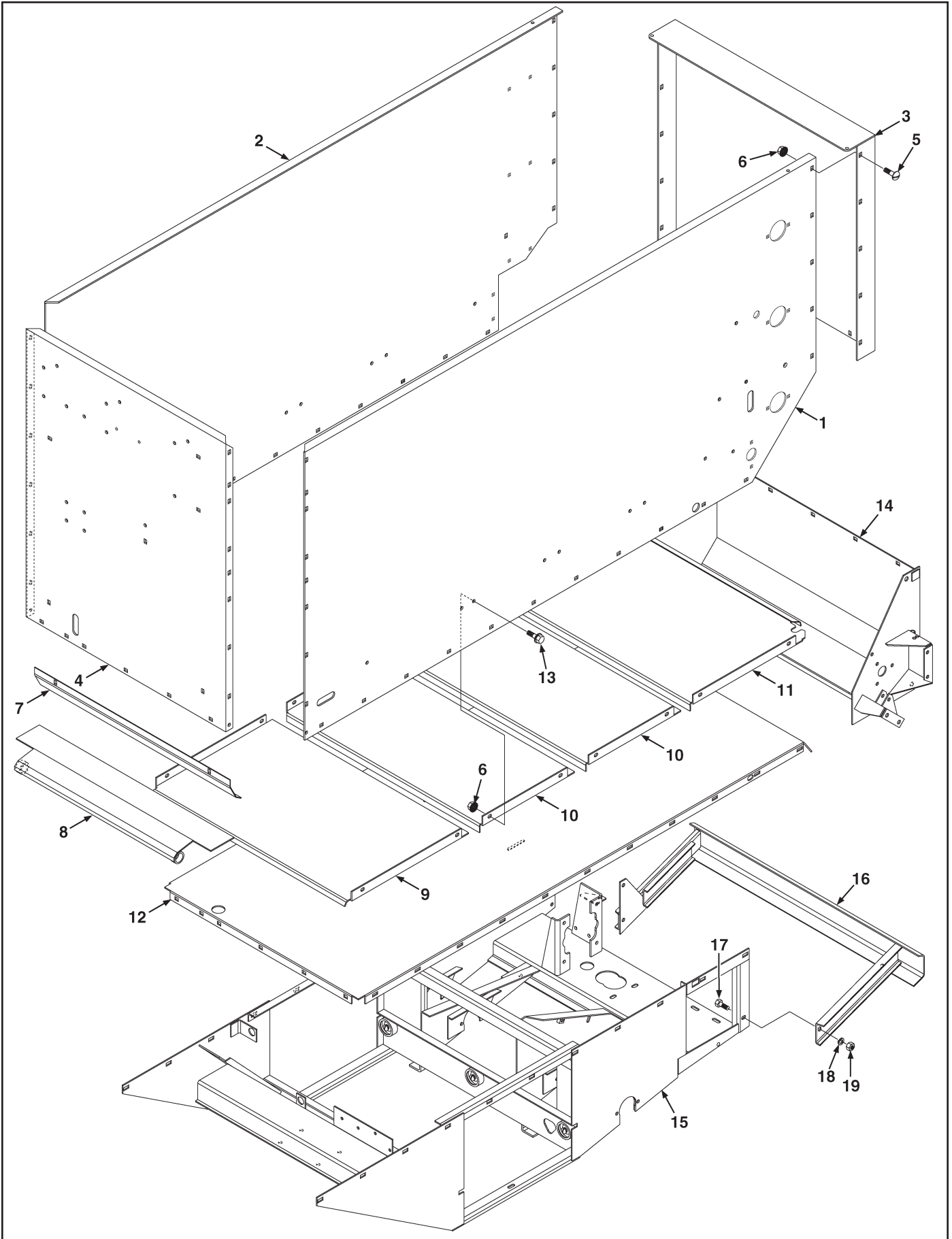
BU	Box Assembly .....	2
BU	Augers & Bearings.....	4
BU	Trough & Auger.....	6
BU	Sprocket & Chain (Augers) .....	8
BU	Connecting Rod & Ratchet .....	10
BU	Sheaves & Belts (Augers).....	12
BU	Conveyor Chain Assembly.....	14
BU	Handle LH & Discharge Door .....	16
BU	Shield Assembly .....	18
BU	Control Support .....	20
BU	Control Panels .....	22
BU	Loading Baffle/Rod, Beater Clutch & Cam Rods.....	24
BU	Feeder Clutch Handle & Rod.....	26
SP	Hydraulic Oil Fill.....	28
SP	Control Cable & Dump Valve .....	30
SP	Differential Mounting.....	32
SP	Differential Assembly .....	34
SP	Drive Wheel Right Side.....	36
SP	Drive Wheel Left Side .....	38
SP	Caster Wheel.....	40
E	Switch, Charger Receptacle & Gauges .....	42
E	Motor & Hydrostatic .....	44
E	Solenoid & Circuit Breaker .....	46
E	Battery Drawer & Batteries .....	48
D	Decals.....	50

BU - Box Unloading

SP - Self Propelled

E - Electrical

D - Decals



## Box Assembly

# WEAVERLINE

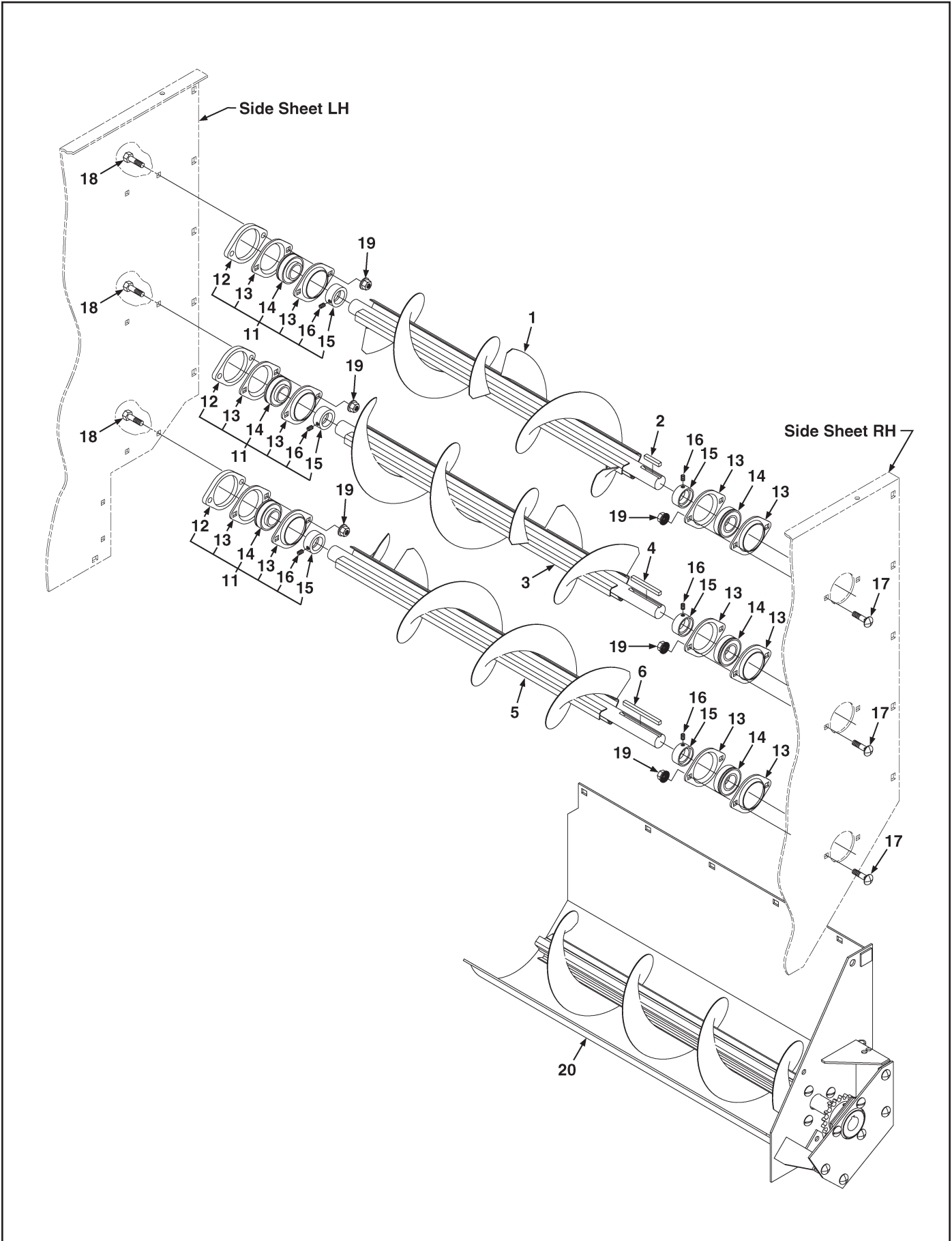
ITEM	PART NO.	QTY	DESCRIPTION
1	505-356	1	Side Sheet RH, SS, Models 521 & 525
	505-559	1	Side Sheet RH, SS, Model 531
	505-658	1	Side Sheet RH, SS, Model 537
2	505-357	1	Side Sheet LH, SS, Models 521 & 525
	505-560	1	Side Sheet LH, SS, Model 531
	505-659	1	Side Sheet LH, SS, Model 537
3	505-452	1	Front Panel, SS, Model 521
	505-119	1	Front Panel, SS, Models 525, 531 & 537, With Decals
4	321-165SS	1	Rear Panel, SS, Model 521
	404-165SS	1	Rear Panel, SS, Models 525, 531 & 537
5	63-016	AR	Screw, Whiz, Truss Head, 5/16"-18UNC x 1/2" Long
6	63-010	AR	Nut, Flange Hex, Whiz, 5/16"-18UNC
7	321-565SS	1	Corner Baffle, SS, Model 521
	202-565SS	1	Corner Baffle, SS, Models 525, 531 & 537
8	321-818SS	1	False End WA, SS, Model 521
	202-818SS	1	False End WA, SS, Models 525, 531 & 537
9	505-462	1	False Bottom, Rear, SS, Model 521
	505-124	1	False Bottom, Rear, SS, Models 525, 531 & 537
10	505-461	1	False Bottom, Center, SS, Model 521
	505-123	1	False Bottom, Center, SS, Models 525
	505-123	2	False Bottom, Center, SS, Models 531
	505-123	3	False Bottom, Center, SS, Models 537
11	505-460	1	False Bottom, Front, SS, Model 521
	505-122	1	False Bottom, Front, SS, Models 525, 531 & 537
12	322-012SS	1	Main Bottom, SS, Model 521
	404-304SS	1	Main Bottom, SS, Model 525
	404-510SS	1	Main Bottom, SS, Model 531
	404-608SS	1	Main Bottom, SS, Model 537
13	63-026SS	AR	Bolt, Flanged Hex Head, SS, 5/16"-18UNC x 1/2" Long
14	505-455	1	Trough WA, SS, Model 521, See Breakdown
	505-204	1	Trough WA, SS, Models 525, 531 & 537, See Breakdown
15	505-457	1	Undercarriage WA, Model 521
	505-355	1	Undercarriage WA, Model 525
	505-558	1	Undercarriage WA, Model 531
	505-657	1	Undercarriage WA, Model 537
16	505-456	1	Bumper WA, Model 521
	505-354	1	Bumper WA, Model 525
	505-557	1	Bumper WA, Models 531 & 537
17	64-012	4	Bolt, Hex Head, 3/8"-16UNC x 3/4" Long
18	64-006	4	Washer, Lock, 3/8"
19	64-009	4	Nut, Hex, 3/8"-16UNC

AR - As Required

NSS - Not Serviced Separately

ASN - After Serial No.

BSN - Before Serial No.



# Augers & Bearings



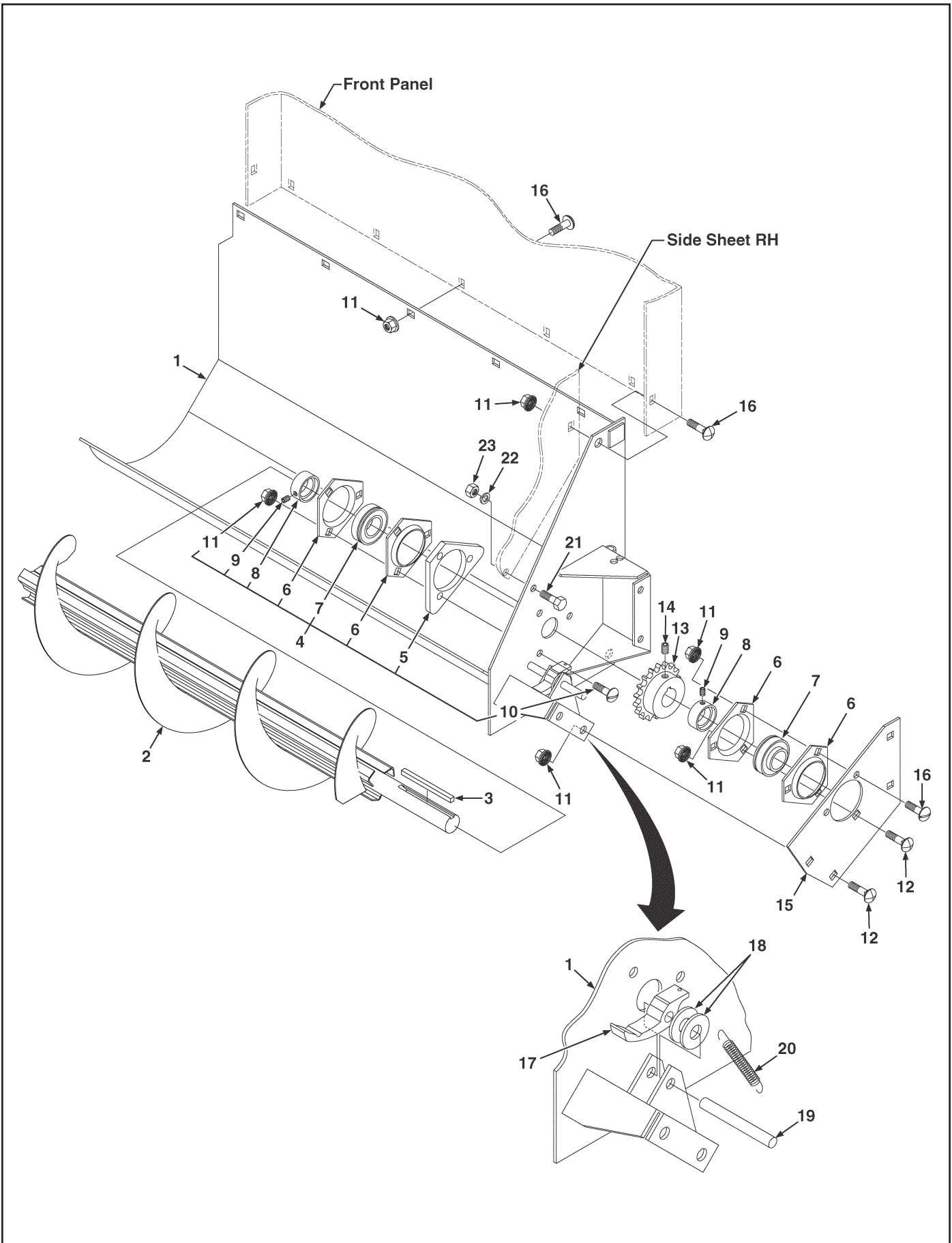
ITEM	PART NO.	QTY	DESCRIPTION
1	321-771SSV	1	Auger WA, Top, SS, Model 521
	202-771SSV	1	Auger WA, Top, SS, Models 525, 531 & 537
	321-771	1	Auger WA, Top, Model 521
	202-771	1	Auger WA, Top, Models 525, 531 & 537
2	69-009	1	Key, 1/4" Sq. x 1" Long
3	321-770SSV	1	Auger WA, Next to Top, SS, Model 521
	202-770SSV	1	Auger WA, Next to Top, SS, Models 525, 531 & 537
	321-770	1	Auger WA, Next to Top, Model 521
	202-770	1	Auger WA, Next to Top, Models 525, 531 & 537
4	69-012	1	Key, 1/4" Sq. x 2-3/8" Long
5	321-529SSV	1	Auger WA, Third from Top, SS, Model 521
	202-529SSV	1	Auger WA, Third from Top, SS, Models 525, 531 & 537
6	69-011	1	Key, 1/4" Sq. x 3" Long
7	404-850	2	Bearing Assembly, Includes Items 8 thru 10
8	NSS	1	Bearing
9	NSS	1	Collar
10	NSS	1	Setscrew
11	404-861	3	Bearing Assembly, Includes Items 12 thru 16
12	404-859	1	Spacer, 2 Hole
13	202-916	2	Flangette, 2 Hole
14	202-915	1	Bearing
15	NSS	1	Collar
16	NSS	1	Setscrew
17	63-031	6	Bolt, Carriage, 5/16"-18UNC x 5/8" Long
18	63-034	6	Bolt, Hex Head, Gr5, 5/16"-18UNC x 7/8" Long
19	63-010	12	Nut, Flange Hex, Whiz, 5/16"-18UNC
20		1	Trough & Auger, SS, Model 521, See Breakdown
		1	Trough & Auger, SS, Models 525, 531 & 537, See Breakdown

AR - As Required

NSS - Not Serviced Separately

ASN - After Serial No.

BSN - Before Serial No.





# Trough & Auger



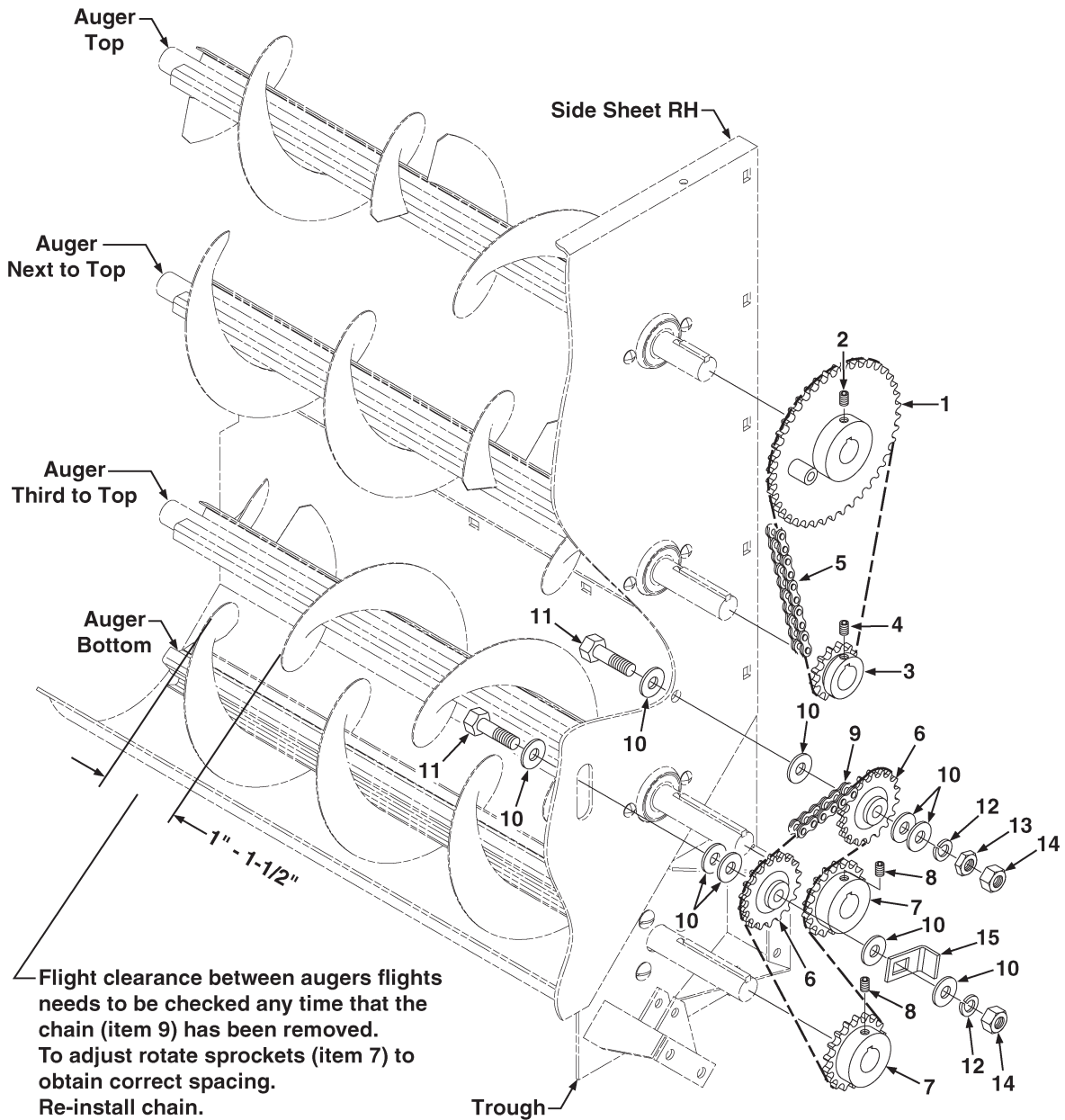
ITEM	PART NO.	QTY	DESCRIPTION
1	505-455	1	Trough WA, SS, Model 521
	505-204	1	Trough WA, SS, Models 525, 531 & 537
2	321-033SS	1	Auger WA, Bottom, SS, Model 521
	303-033SSV	1	Auger WA, Bottom, SS, Models 525, 531 & 537
3	69-009	1	Key, 1/4" Sq. x 1" Long
4	404-864	1	Bearing Assembly, Includes Items 5 thru 9, 10 Qty 3 & 11 Qty 3
5	404-862	1	Spacer, 3 Hole
6	202-949	2	Flangette, 3 Hole
7	202-915	1	Bearing, Ball, 1", Includes Items 8 & 9
8	NSS	1	Collar
9	NSS	1	Setscrew
10	63-036	3	Screw, Whiz, Truss Head, 5/16"-18UNC x 1" Long
11	63-010	AR	Nut, Flange Hex, Serrated, 5/16"-18UNC
12	63-009	AR	Bolt, Carriage, 5/16"-18UNC x 3/4" Long
13	202-908	1	Sprocket, 18 Teeth, Includes Item 14
14	NSS	1	Setscrew
15	202-520	1	Plate, Bearing
16	63-016	AR	Screw, Whiz, Truss Head, 5/16"-18UNC x 1/2" Long
17	202-476K4	1	Pawl
18	64-011	AR	Washer, Flat, 3/8" SAE
19	202-891X1	1	Pin, 3/8" Dia. x 3-1/8" Long
20	202-933A	1	Spring, Holding Pawl
21	64-012	1	Bolt, Hex Head, 3/8"-16UNC x 3/4" Long
22	64-006	1	Washer, Lock, 3/8"
23	64-009	1	Nut, Hex, 3/8"-16UNC

AR - As Required

NSS - Not Serviced Separately

ASN - After Serial No.

BSN - Before Serial No.



## Sprocket & Chain (Augers)

# WEAVERLINE

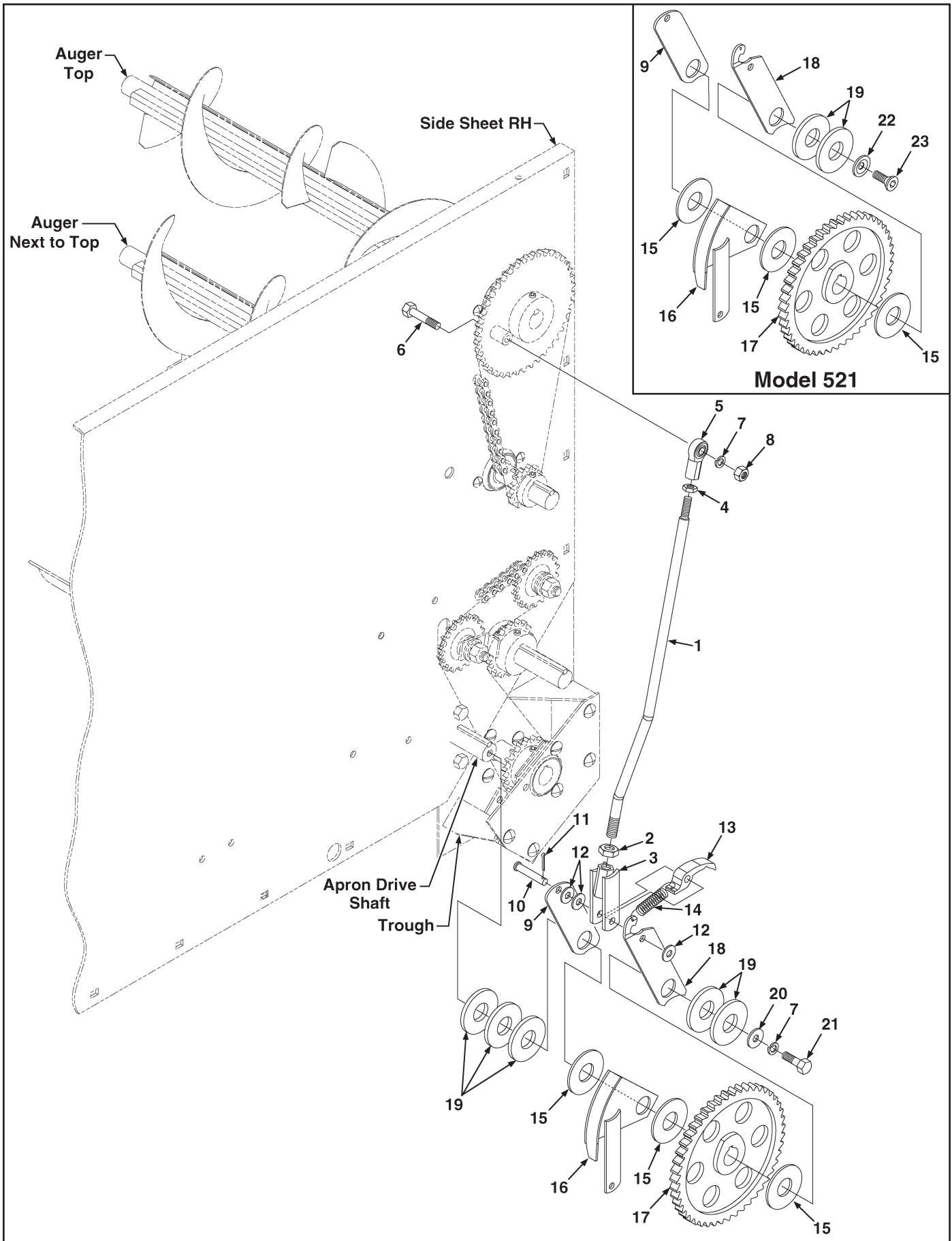
ITEM	PART NO.	QTY	DESCRIPTION
1	202-562	1	Sprocket WA, 42 Teeth, Includes Item 2
2	NSS	1	Setscrew
3	202-909	1	Sprocket, 13 Teeth, Includes Item 4
4	NSS	1	Setscrew
5	202-840	1	Chain, #40 - 70 Pitches
6	202-906	2	Sprocket, Idler
7	202-908	2	Sprocket, 18 Teeth, Includes Item 8
8	NSS	1	Setscrew
9	202-510	1	Chain, #40 - 80 Pitches
10	65-004	8	Washer, USS, 1/2"
11	65-002	1	Bolt, Hex Head, 1/2"-13UNC x 2" Long
12	65-003	2	Washer, Lock 1/2"
13	65-008	2	Nut, Hex, Jam, 1/2"-13UNC
14	65-001	2	Nut, Hex, 1/2"-13UNC
15	202-586	1	Guide, Belt

AR - As Required

NSS - Not Serviced Separately

ASN - After Serial No.

BSN - Before Serial No.



## Connecting Rod & Ratchet

# WEAVERLINE

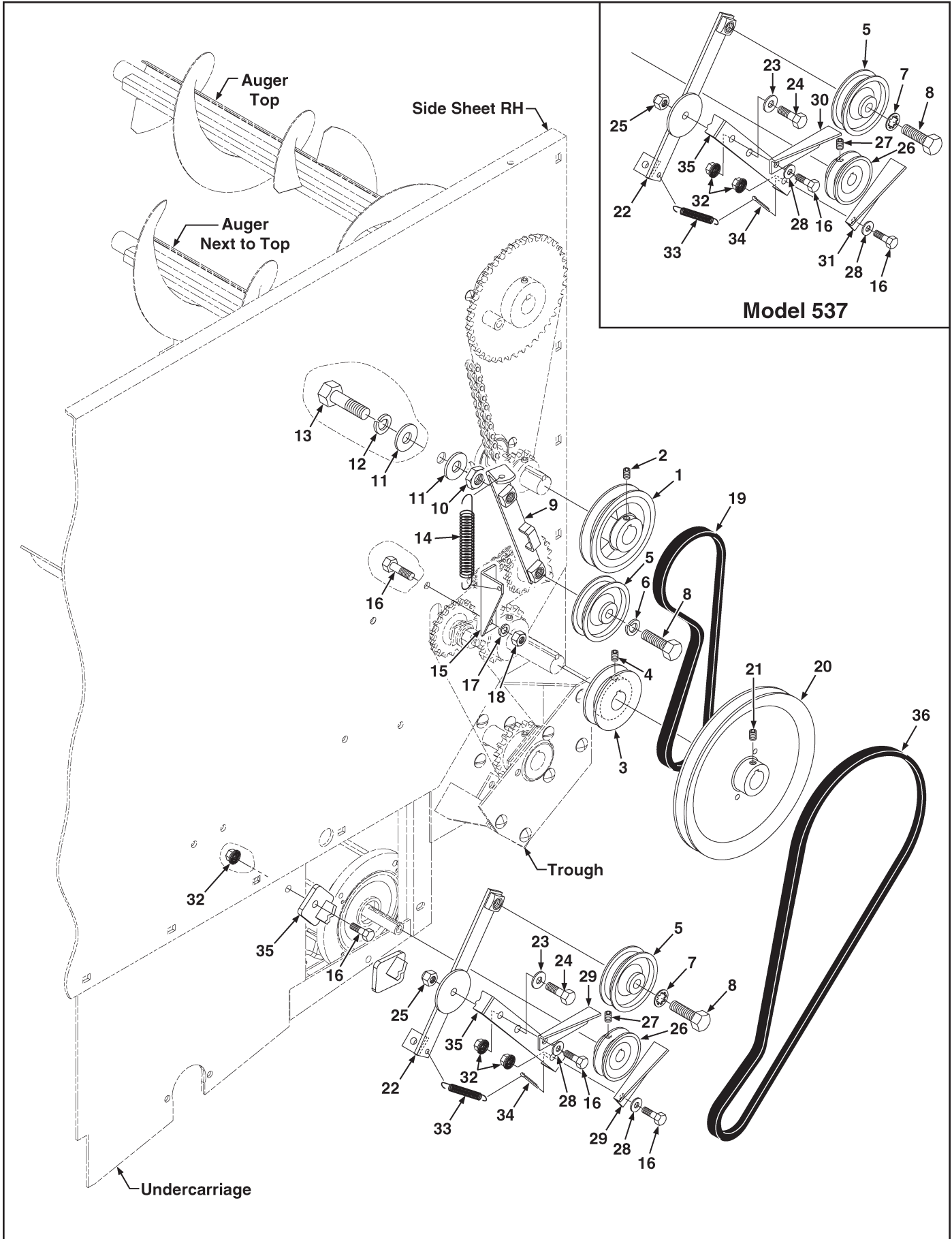
ITEM	PART NO.	QTY	DESCRIPTION
1	202-987	1	Rod, Connecting
2	65-008	1	Nut, Hex, Jam, 1/2"-13UNC
3	202-986	1	Yoke WA, Connecting Rod
4	64-007	1	Nut, Hex, Jam, 3/8"-24UNF
5	202-911	1	Bearing, Rod End
6	64-013	1	Bolt, Hex Head, 3/8"-16UNC x 2-1/4" Long
7	64-006	1	Washer, Lock, 3/8"
8	64-009	1	Nut, Hex, 3/8"-16UNC
9	202-728	1	Link, Inside
10	202-888X2	1	Pin, Clevis, Hardened, 3/8" Dia. x 1-3/8" Long
11	61-001	1	Pin, Cotter, 1/8" Dia. x 3/4" Long
12	64-005	3	Washer, USS, 3/8"
13	202-476K4	1	Pawl
14	202-932B	1	Spring, Drive Pawl
15	68-002	AR	Washer, Flat, 1" x 1/16" Thick
16	321-727X1	1	Cam WA Model 521
	202-727X1	1	Cam WA Models 525, 531 & 537
17	202-751	1	Ratchet
18	202-819X1	1	Link, Outside
19	68-001	3	Washer, Flat, 1" x 1/8" Thick
20	202-518	1	Washer, Flat, Special, 3/8"
21	64-003	1	Bolt, Hex Head, 3/8"-16UNC x 1" Long
22	202-378	1	Washer, Flat, Special, 3/8"
23	64-018	1	Screw, Flat Head, 3/8"-16UNC x 3/4" Long

AR - As Required

NSS - Not Serviced Separately

ASN - After Serial No.

BSN - Before Serial No.



## Sheaves & Belts (Augers)

# WEAVERLINE

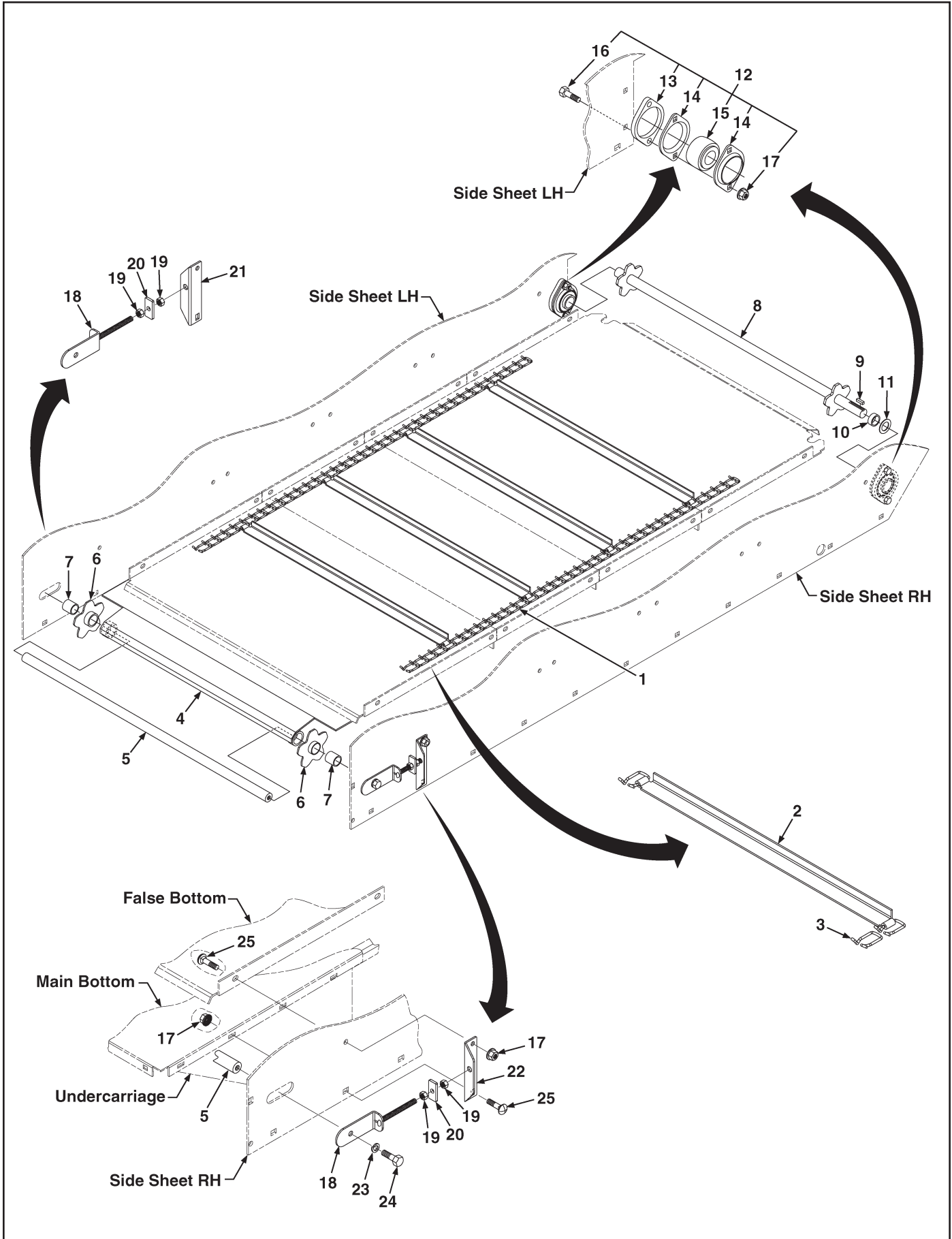
ITEM	PART NO.	QTY	DESCRIPTION
1	202-905	1	Sheave, 1" Bore x 4-1/2" OD, Includes Item 2
2	NSS	1	Setscrew
3	202-904	1	Sheave, 1" Bore x 3-1/4" OD, Includes Item 4
4	NSS	1	Setscrew
5	202-926	2	Sheave, Idler
6	65-016	1	Washer, Lock, Internal Teeth, 1/2"
7	65-003	1	Washer, Lock, 1/2"
8	65-011	2	Bolt, Hex Head, 1/2"-13UNC x 1-3/4" Long
9	202-490	1	Arm, Beater Clutch
10	65-008	1	Nut, Hex, Jam, 1/2"-13UNC
11	65-014	2	Washer, Flat, 1/2"
12	65-003	1	Washer, Lock, 1/2"
13	65-010	1	Bolt, Hex Head, 1/2"-13UNC x 1-1/2" Long
14	202-674	1	Spring, Beater Clutch
15	202-502	1	Anchor, Spring
16	63-003	5	Bolt, Hex Head, 5/16"-18UNC x 3/4" Long
17	63-006	1	Washer, Lock, 5/16"
18	63-007	1	Nut, Hex, 5/16"-18UNC
19	202-922	1	Belt, 4L340
20	202-446A	1	Sheave, 1" Bore x 8-1/2" OD, Includes Item 21
21	NSS	2	Setscrew
22	322-083	1	Clutch WA, Feeder, Model 521
	202-487	1	Clutch WA, Feeder, Models 525 & 531
	404-632	1	Clutch WA, Feeder, Model 537
23	64-011	1	Washer, Flat, 3/8" SAE
24	64-001	1	Bolt, Hex Head, 3/8"-16UNC x 1-1/4" Long
25	64-002	1	Nut, Hex, Lock, Nylon Insert, 3/8"-16UNC
26	202-584	1	Sheave, 5/8" Bore x 2-3/4" OD, Includes Item 27
27	NSS	1	Setscrew
28	63-005	AR	Washer, Flat, 5/16" SAE
29	202-528	2	Guide, Belt, Feeder, Models 521, 525 & 531
30	404-629	1	Guide, Belt, Feeder, Upper, Model 537
31	404-630	1	Guide, Belt, Feeder, Lower, Model 537
32	63-010	4	Nut, Flange Hex, Whiz, 5/16"-18UNC
33	202-933	1	Spring
34	61-007	1	Pin, Cotter, 3/16" Dia. x 3/4" Long
35	505-468	1	Support, Feeder Clutch, Model 521
	505-353	1	Support, Feeder Clutch, Model 525
	505-556	1	Support, Feeder Clutch, Model 531
	505-654	1	Support, Feeder Clutch, Model 537
36	202-407	1	Belt (2470), Models 521 & 525
	202-699	1	Belt (2500), Model 531
	404-602		Belt (2570), Model 537

AR - As Required

NSS - Not Serviced Separately

ASN - After Serial No.

BSN - Before Serial No.





# Conveyor Chain Assembly



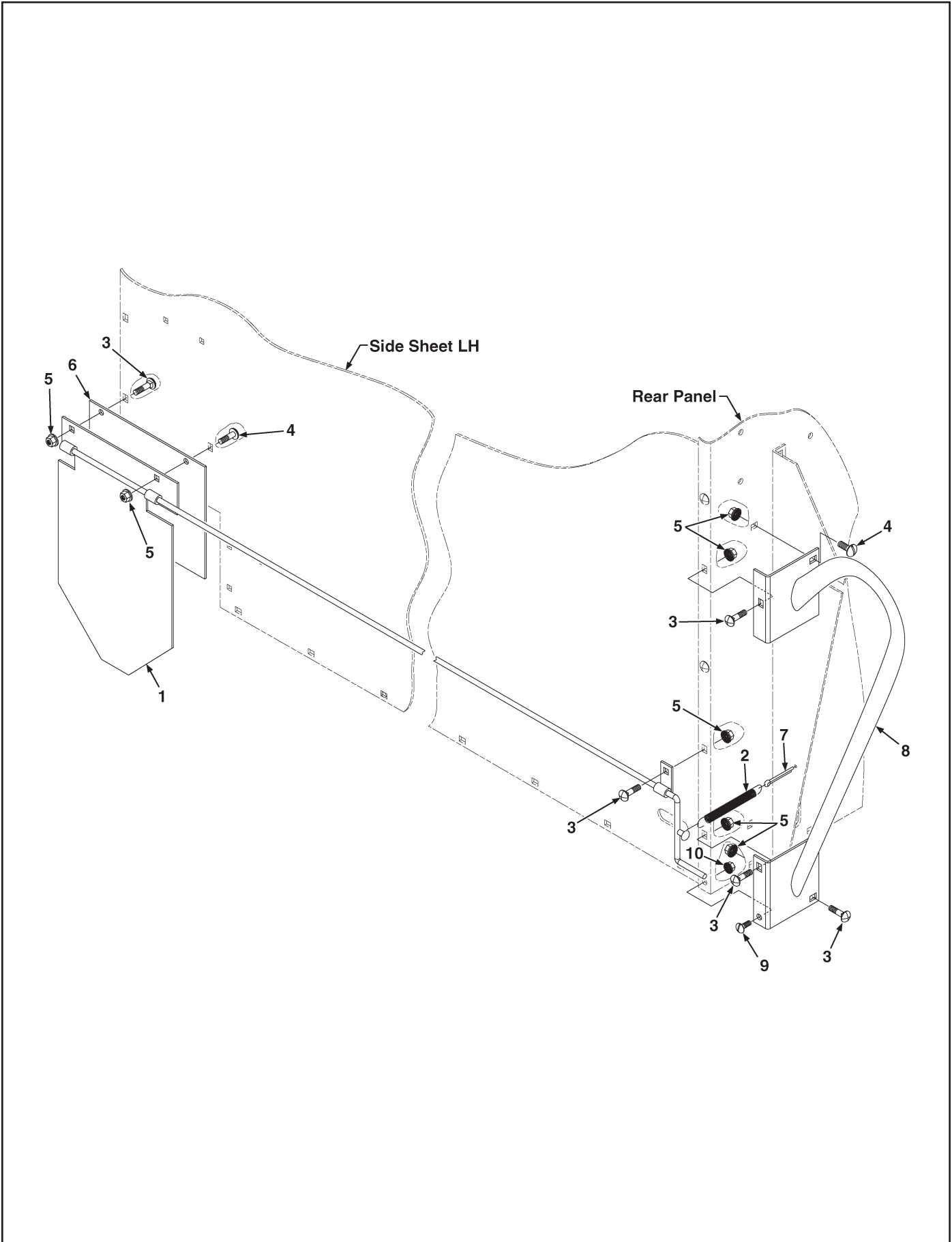
ITEM	PART NO.	QTY	DESCRIPTION
1	505-450	1	Conveyor Chain, SS Slat, Model 521
	505-352	1	Conveyor Chain, SS Slat, Model 525
	505-555	1	Conveyor Chain, SS Slat, Model 531
	505-652	1	Conveyor Chain, SS Slat, Model 537
			Includes Items 2 thru 3
2	505-459	AR	Slat & Link Unit, SS Model 521
	505-120	AR	Slat & Link Unit, SS, Models 525, 531 & 537
3	505-803	AR	Link
4	321-818SS	1	False End, SS, Model 521
	202-818SS	1	False End, SS, Models, 525, 531 & 537
5	321-734	1	Shaft, Rear Apron, Model 521
	202-734	1	Shaft, Rear Apron, Models 525, 531 & 537
6	505-201	2	Sprocket, Idler, Apron, SS, Includes Item 7
7	505-810	2	Bushing
8	505-451	1	Shaft/Sprocket, Apron Drive, SS, Model 521
	505-351	1	Shaft/Sprocket, Apron Drive, SS, Model 525
	505-553	1	Shaft/Sprocket, Apron Drive, SS, Models 531 & 537
9	69-008	1	Key, 1/4" Sq. x 3/4" Long
10	505-805	1	Sleeve
11	68-007	1	Washer, SS, 1" ID x 1-19/32" OD x 14 Gauge
12	505-804	2	Bearing Assembly, Includes Items 13 thru 17
13	404-859	1	Spacer, 2 Hole
14	202-916	2	Flangette, 2 Hole
15	505-801	1	Bearing, Nylon
16	63-034	4	Bolt, Hex Head, Gr5, 5/16"-18UNC x 7/8" Long
17	63-010	AR	Nut, Flange Hex, Whiz, 5/16"-18UNC
18	505-207	2	Bracket, Tightener, WA
19	64-009	4	Nut, Hex, 3/8"-16UNC
20	505-108	2	Block, Adjust
21	505-126	1	Bracket, LH
22	505-127	1	Bracket, RH
23	64-006	2	Washer, Lock, 3/8"
24	64-003	2	Bolt, Hex Head, 3/8"-16UNC x 1" Long
25	63-009	4	Bolt, Carriage, 5/16"-18UNC x 3/4" Long

AR - As Required

NSS - Not Serviced Separately

ASN - After Serial No.

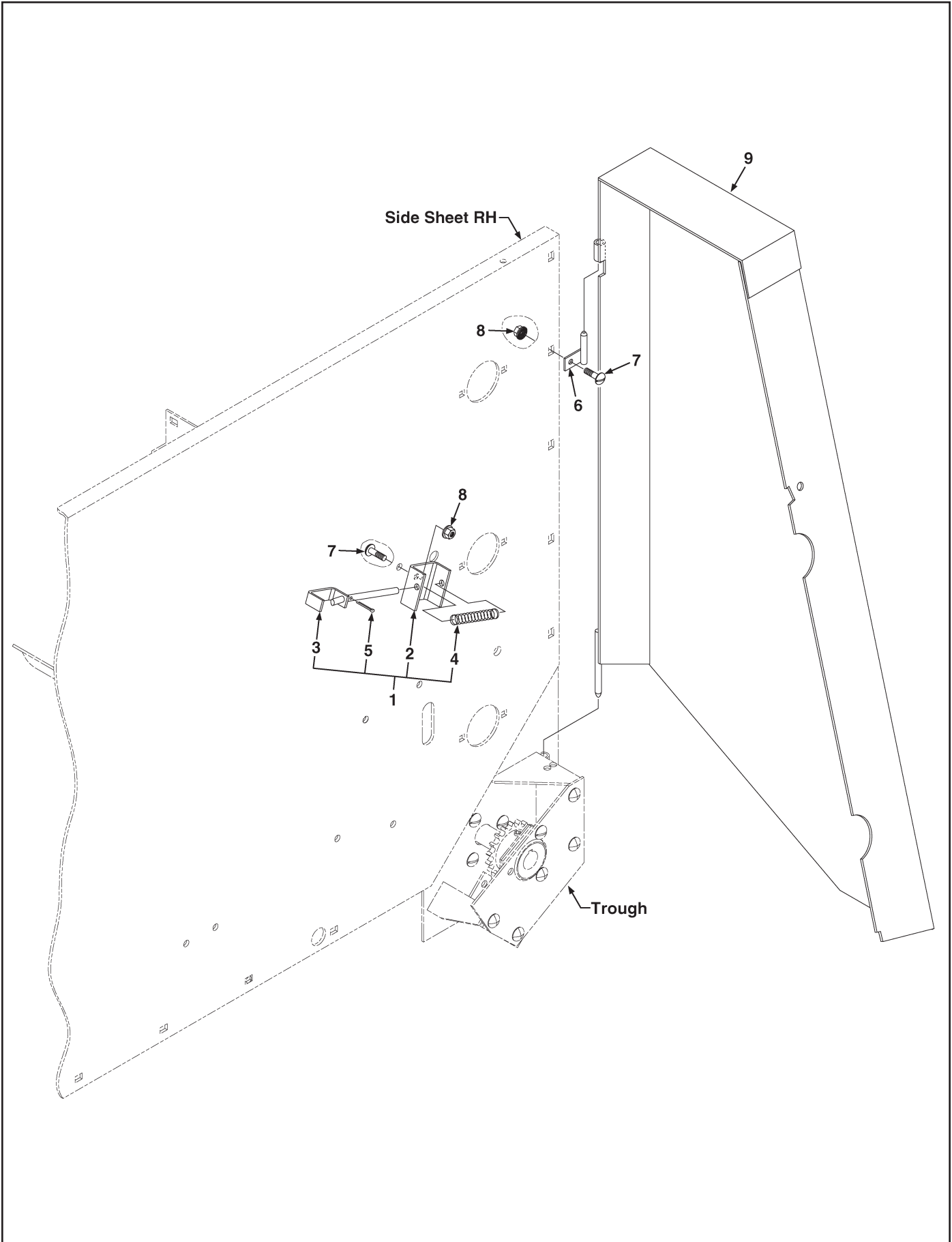
BSN - Before Serial No.



# Handle LH & Discharge Door

# WEAVERLINE

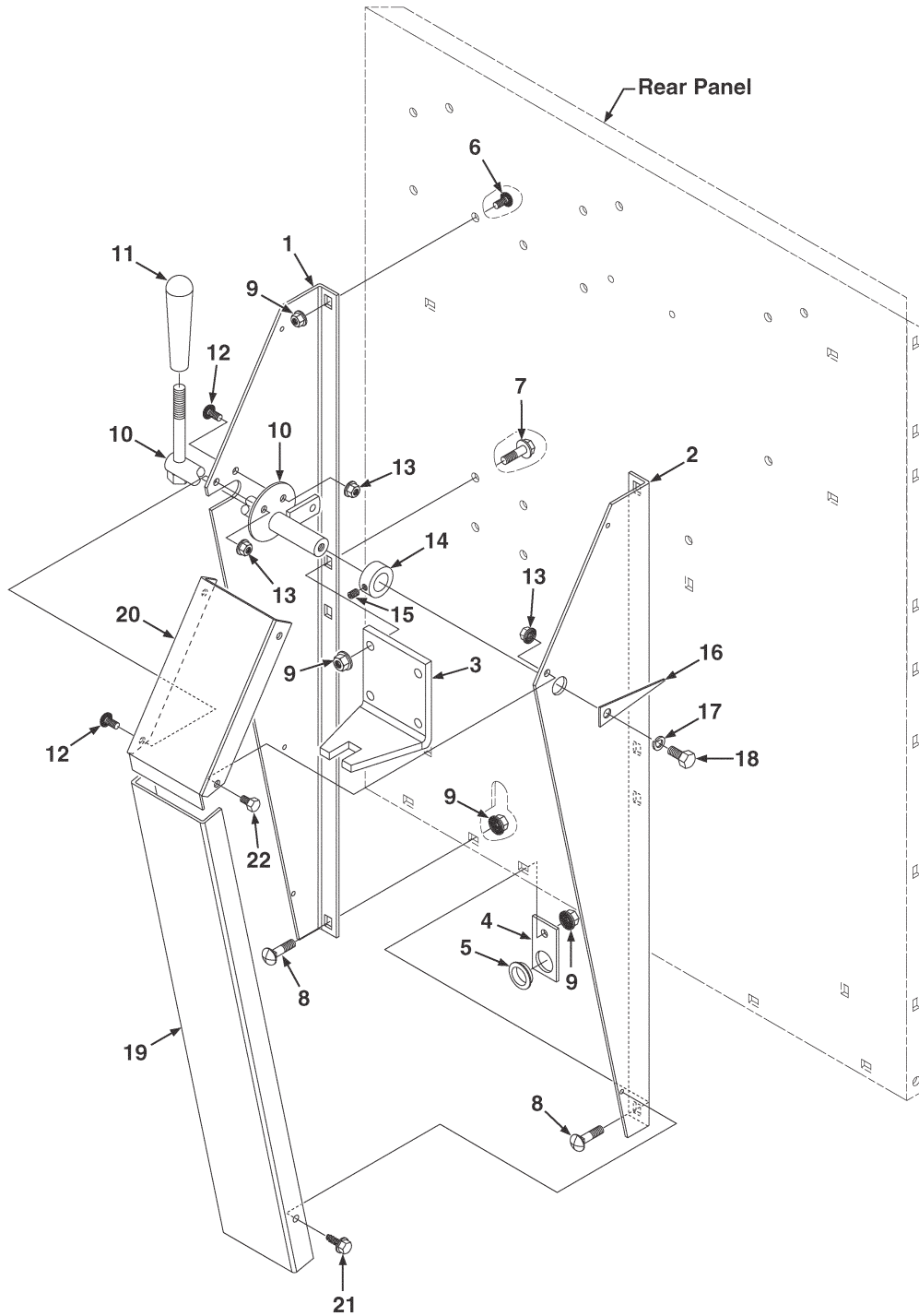
ITEM	PART NO.	QTY	DESCRIPTION
1	505-358	1	Door WA, Discharge, Models 521 & 525
	505-561	1	Door WA, Discharge, Model 531
	505-660	1	Door WA, Discharge, Model 537
2	202-934	1	Spring, Discharge Door
3	63-009	AR	Bolt, Carriage, 5/16"-18UNC x 3/4" Long
4	63-016	AR	Screw, Whiz, Truss Head, 5/16"-18UNC x 1/2" Long
5	63-010	AR	Nut, Flange Hex, Whiz, 5/16"-18UNC
6	505-125	1	Deflector
7	61-001	1	Pin, Cotter, 1/8" Dia. x 3/4" Long
8	404-256	1	Handle WA, LH
9	62-023	1	Screw, Whiz, Truss Head, 1/4"-20UNC x 5/8" Long
10	62-002	1	Nut, Flange Hex, Whiz, 1/4"-20UNC
<p>AR - As Required      NSS - Not Serviced Separately      ASN - After Serial No.      BSN - Before Serial No.</p>			



# Shield Assembly

# WEAVERLINE

ITEM	PART NO.	QTY	DESCRIPTION
1	404-237	1	Latch Assembly, Includes Items 2 thru 5
2	404-229	1	Bracket, Mounting
3	404-264	1	Latch WA
4	202-561	1	Spring, Latch
5	61-002	1	Pin, Cotter, 3/32" Dia. x 5/8" Long
6	404-263	1	Hinge, Top, Shield
7	63-016	AR	Screw, Whiz, Truss Head, 5/16"-18UNC x 1/2" Long
8	63-010	AR	Nut, Flange Hex, Whiz, 5/16"-18UNC
9	505-202	1	Shield WA, Models 521, 525 & 531
	505-655	1	Shield WA, Model 537
<p>AR - As Required      NSS - Not Serviced Separately      ASN - After Serial No.      BSN - Before Serial No.</p>			



# Control Support

# WEAVERLINE

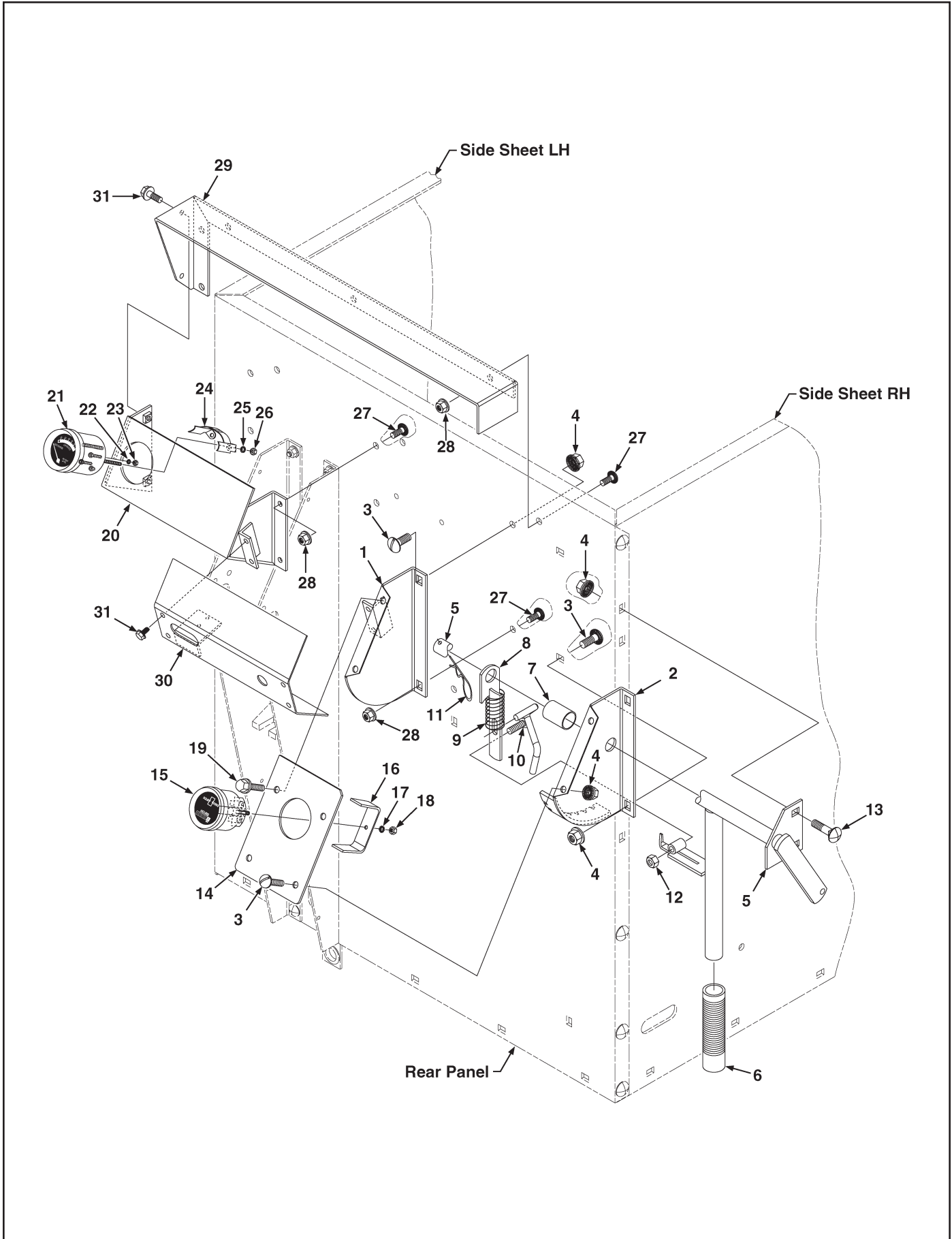
ITEM	PART NO.	QTY	DESCRIPTION
1	404-151	1	Support, Control, LH
2	404-152	1	Support, Control RH
3	404-166	1	Support, Hydro Cable, Rear
4	202-585	1	Support, Wire
5	202-962	1	Grommet
6	63-016	2	Screw, Whiz, Truss Head, 5/16"-18UNC x 1/2" Long
7	63-032	4	Bolt, Flanged Hex Head, Whiz, 5/16"-18UNC x 3/4" Long
8	63-009	2	Bolt, Carriage, 5/16"-18UNC x 3/4" Long
9	63-010	8	Nut, Flange Hex, Whiz, 5/16"-18UNC
10	404-255X1	1	Shaft WA, LH Control
11	404-805	1	Knob, Control, Hydro
12	62-020	2	Screw, Whiz, Truss Head, 1/4"-20UNC x 1/2" Long
13	62-002	3	Nut, Flange Hex, Whiz, 1/4"-20UNC
14	404-826	1	Collar, Set, 3/4", Includes Item 15
15	NSS	1	Setscrew
16	404-206	1	Pointer, Hydro Speed
17	64-006	1	Washer, Lock, 3/8"
18	64-025	1	Bolt, Hex Head, 3/8"-16UNC x 3/4" Long
19	404-153	1	Cover, Control Support, Bottom
20	404-164	1	Cover, Control Support, Top
21	62-015	4	Screw, Flange Hex, Self Tapping, 1/4" Dia. x 1/2" Long
22	62-025	1	Bolt, Hex Head, Gr5, 1/4"-20UNC x 1/2" Long

AR - As Required

NSS - Not Serviced Separately

ASN - After Serial No.

BSN - Before Serial No.





## Control Panels

# WEAVERLINE

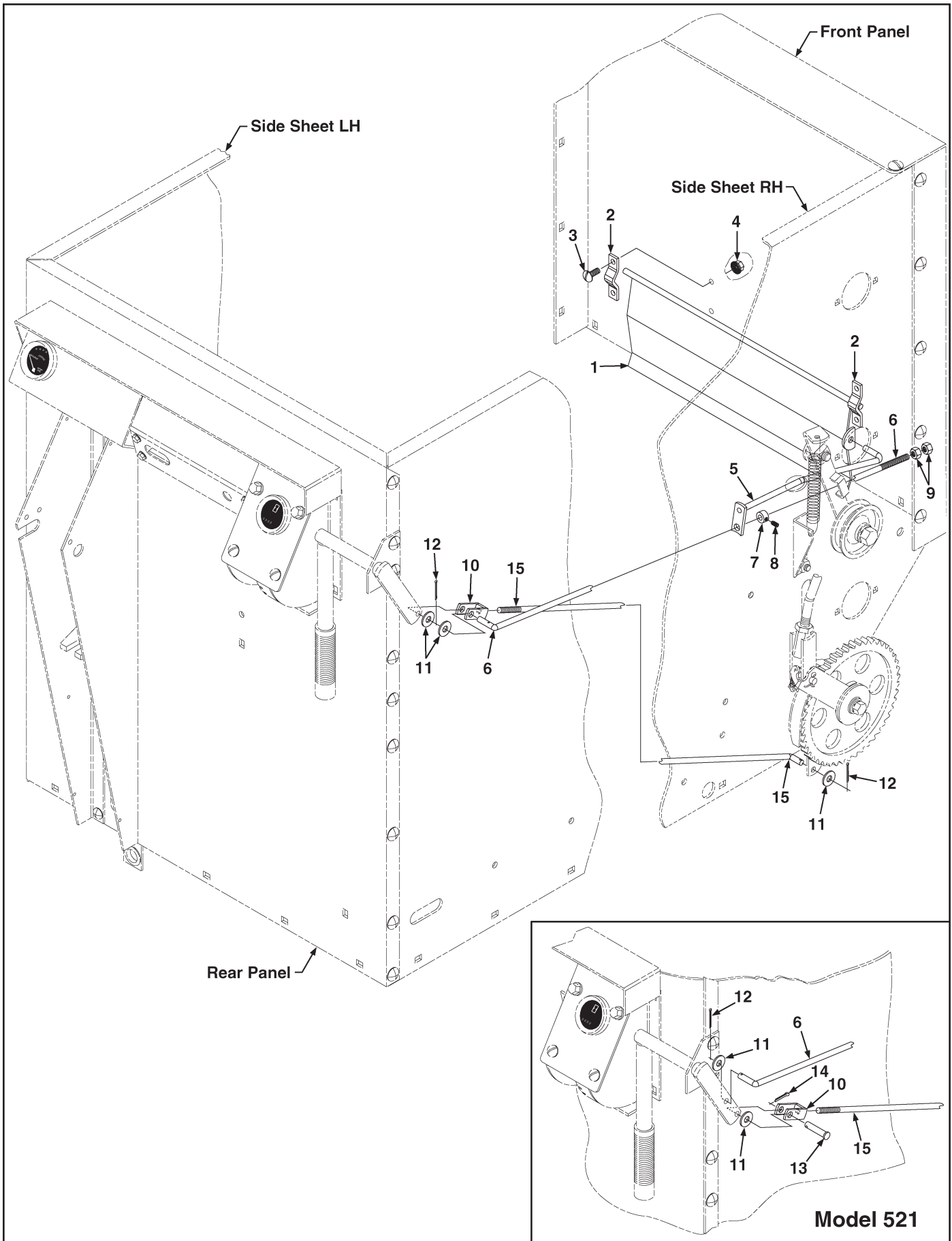
ITEM	PART NO.	QTY	DESCRIPTION
1	404-257	1	Bracket LH, RH Handle
2	404-259	1	Quadrant WA
3	63-016	AR	Screw, Whiz, Truss Head, 5/16"-18UNC x 1/2" Long
4	63-010	AR	Nut, Flange Hex, Whiz, 5/16"-18UNC
5	322-076	1	Handle WA, RH, Model 521
	404-242	1	Handle WA, RH, Models 525, 531 & 537
6	202-913	1	Grip, Handle RH
7	202-789	1	Spacer
8	202-787	1	Latch WA, RH Handle
9	202-931	1	Spring, RH Handle
10	202-825	1	Trigger WA
11	61-016	1	Pin, Bridge, #4, 1/8" Dia. x 2-1/2" Long
12	63-007	1	Nut, Hex, 5/16"-18UNC
13	63-009	3	Bolt, Carriage, 5/16"-18UNC x 3/4" Long
14	404-161	1	Panel, Control RH
15	404-824	1	Meter, Hour, Includes Items 16 thru 18
16	NSS	1	Bracket, Hour Meter
17	NSS	1	Washer, Lock
18	NSS	1	Nut, Hex
19	63-032	2	Bolt, Flanged Hex Head, 5/16"-18UNC x 3/4" Long
20	322-077	1	Panel, Control LH, Model 521
	404-240	1	Panel, Control LH, Models 525, 531 & 537
21	404-825	1	Voltmeter, 24 Volt, Includes Items 22 thru 26
22	NSS	2	Washer, Lock
23	NSS	2	Nut, Hex
24	NSS	1	Bracket, Voltmeter
25	NSS	2	Washer, Lock
26	NSS	2	Nut, Hex
27	62-020	AR	Screw, Whiz, Truss Head, 1/4"-20UNC x 1/2" Long
28	62-002	AR	Nut, Flange Hex, Whiz, 1/4"-20UNC
29	322-023	1	Panel, Control Cover, SS, Model 521
	404-163	1	Panel, Control Cover, SS, Models 525, 531 & 537
30	322-078	1	Panel, Control Center, Model 521
	404-241	1	Panel, Control Center, Models 525, 531 & 537
31	62-015	6	Screw, Flange Hex, Self Tapping, 1/4" Dia. x 1/2" Long

AR - As Required

NSS - Not Serviced Separately

ASN - After Serial No.

BSN - Before Serial No.



# Loading Baffle/Rod, Beater Clutch & Cam Rods



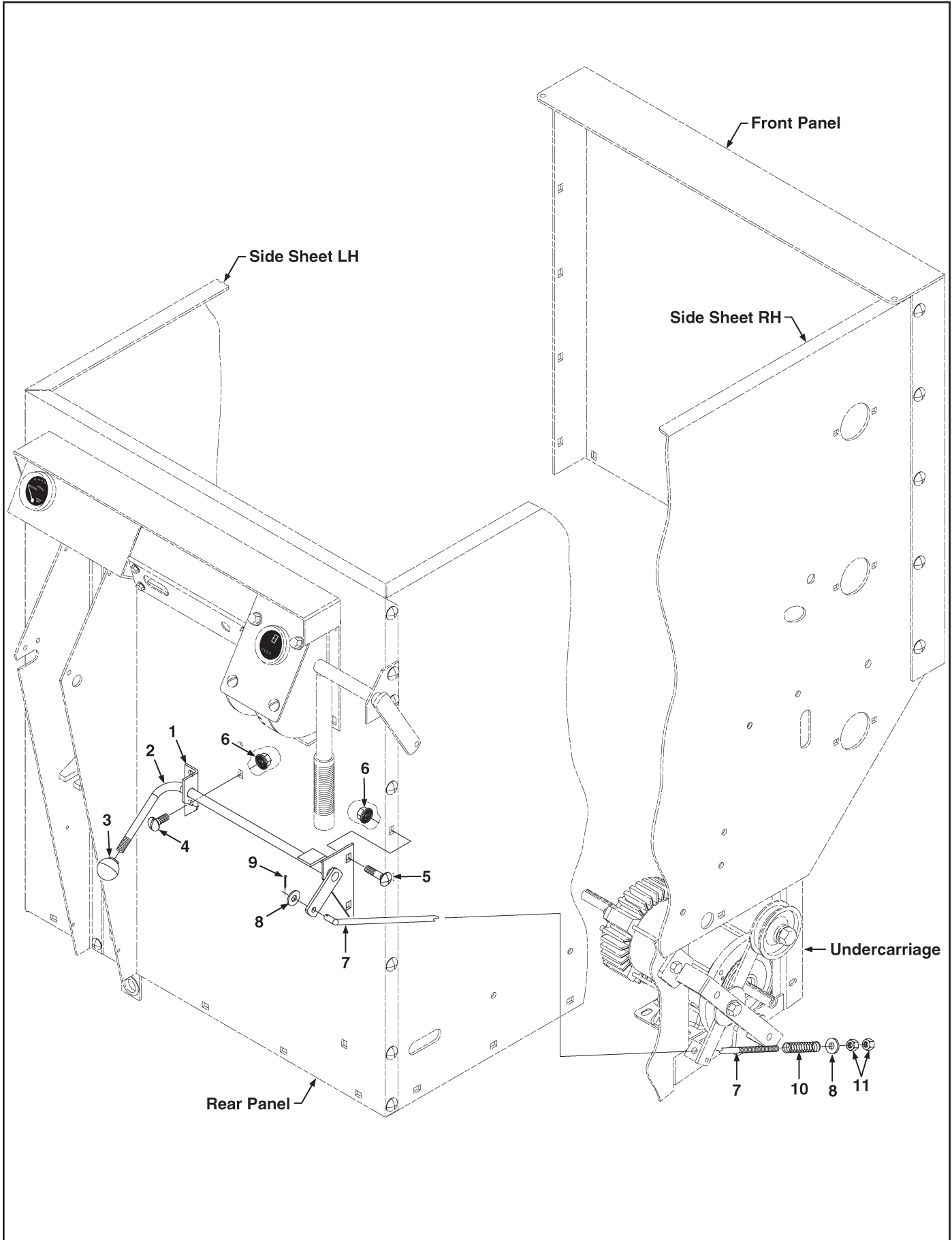
ITEM	PART NO.	QTY	DESCRIPTION
1	303-037	1	Baffle, Loading, HR
	303-037SS	1	Baffle, Loading, SS
2	303-010	2	Bracket, Loading Baffle
3	62-020	1	Screw, Whiz, Truss Head, 1/4"-20UNC x 1/2" Long
4	62-002	1	Nut, Flange Hex, Whiz, 1/4"-20UNC
5	303-038	1	Rod, Baffle Pull
6	322-051	1	Rod, Beater Clutch, Model 521
	202-365	1	Rod, Beater Clutch, Model 525
	202-506	1	Rod, Beater Clutch, Model 531
	404-609	1	Rod, Beater Clutch, Model 537
7	202-956	1	Collar, Set, 5/16", Includes Item 8
8	NSS	1	Setscrew
9	63-007	2	Nut, Hex, 5/16"-18UNC
10	202-896	1	Clevis, Rod Cam, Model 521
	202-796	1	Clevis, Rod Cam, Models 525, 531 & 537
11	63-005	AR	Washer, Flat, SAE, 5/16"
12	61-002	AR	Pin, Cotter, 3/32" Dia. x 5/8" Long
13	202-892	1	Pin, Clevis, 5/16" Dia. x 3/4" Long
14	61-001	1	Pin, Cotter, 1/8" Dia. x 3/4" Long
15	202-364	1	Rod, Cam, Models 521 & 525
	202-478	1	Rod, Cam, Model 531
	404-603	1	Rod, Cam, Model 537

AR - As Required

NSS - Not Serviced Separately

ASN - After Serial No.

BSN - Before Serial No.



## Feeder Clutch Handle & Rod

# WEAVERLINE

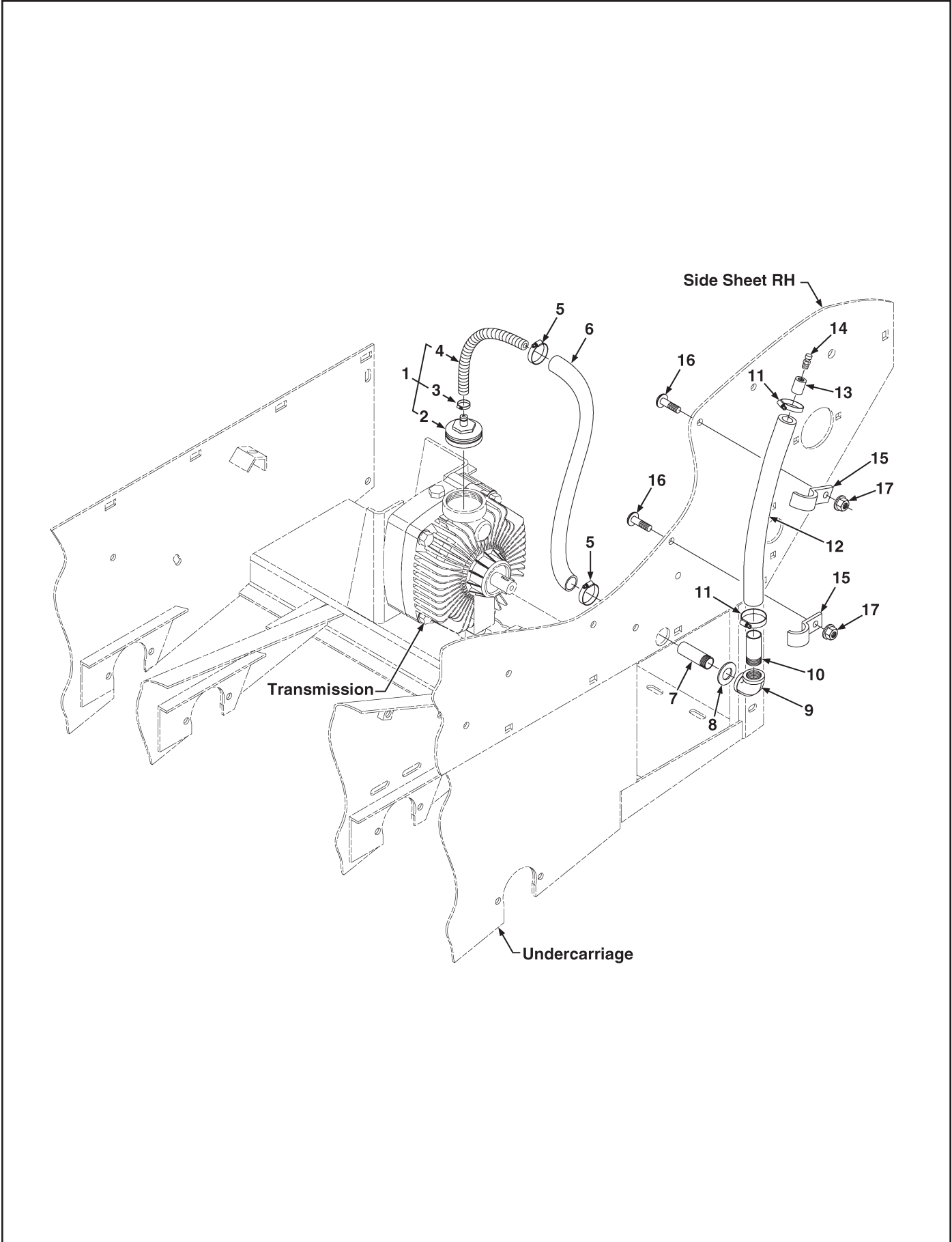
ITEM	PART NO.	QTY	DESCRIPTION
1	202-458	1	Bracket
2	322-004	1	Handle WA, Feeder Clutch, Model 521
	404-243	1	Handle WA, Feeder Clutch, Models 525 & 531
	404-625	1	Handle WA, Feeder Clutch, Model 537
3	202-479	1	Knob
4	63-016	2	Screw, Whiz, Truss Head, 5/16"-18UNC x 1/2" Long
5	63-009	2	Bolt, Carriage, 5/16"-18UNC x 3/4" Long
6	63-010	4	Nut, Flange Hex, Whiz, 5/16"-18UNC
7	321-362	1	Rod, Feeder Clutch, Model 521
	404-306	1	Rod, Feeder Clutch, Model 525
	202-591	1	Rod, Feeder Clutch, Model 531
	404-610	1	Rod, Feeder Clutch, Model 537
8	63-005	1	Washer, Flat, SAE, 5/16"
9	61-002	2	Pin, Cotter, 3/32" Dia. x 5/8" Long
10	202-950	1	Spring, Feeder Clutch Rod
11	63-007	2	Nut, Hex, 5/16"-18UNC

AR - As Required

NSS - Not Serviced Separately

ASN - After Serial No.

BSN - Before Serial No.



# Hydraulic Oil Fill

# WEAVERLINE

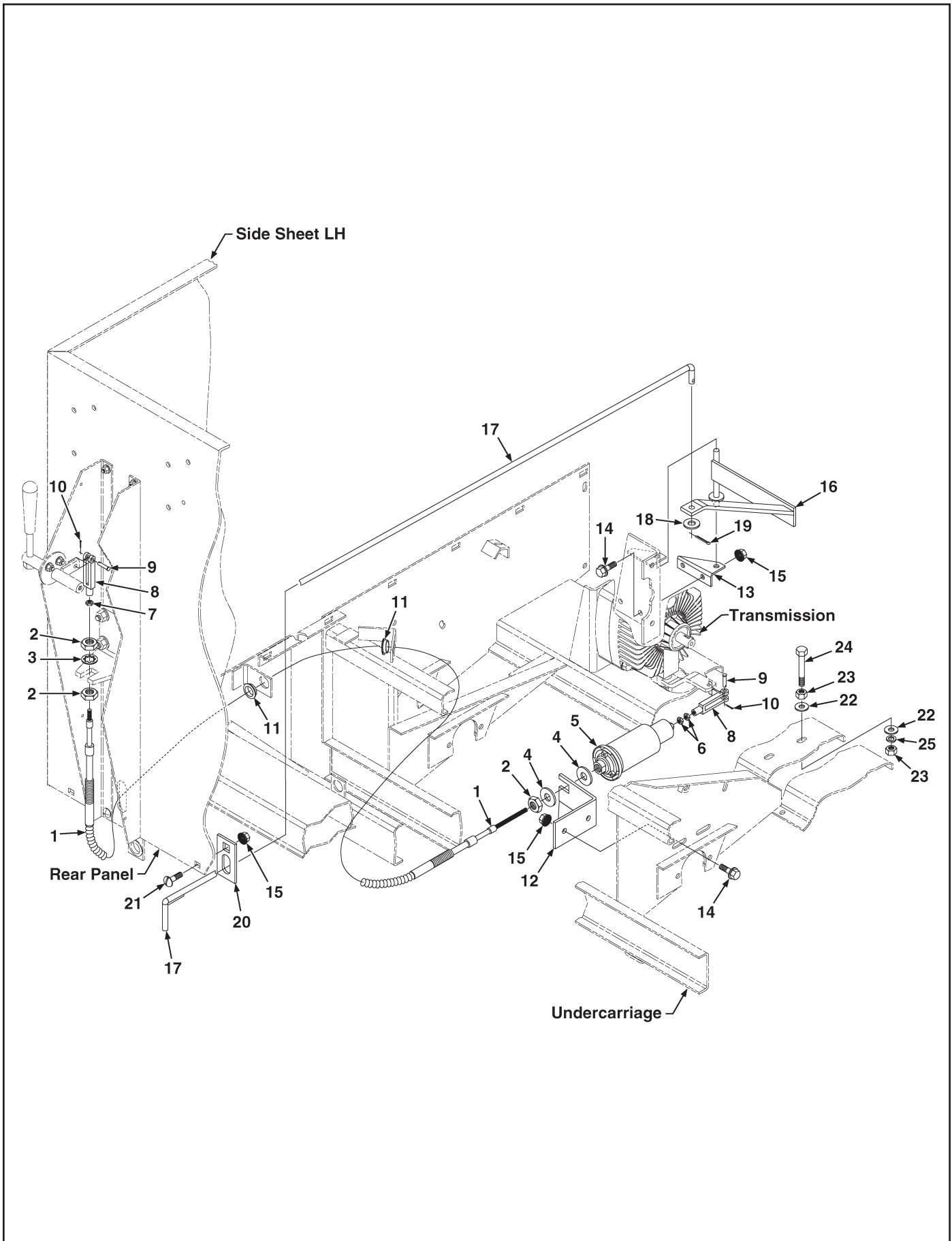
ITEM	PART NO.	QTY	DESCRIPTION
1	404-217X1	1	Cap & Elbow Assembly, Includes Items 2 thru 4
2	404-203	1	Cap, Hydro, LH Thread
3	404-855	1	Clamp, 1/4" x 5/8"
4	404-238	1	Hose, Wire Braid
5	404-817	2	Clamp, 3/8" x 7/8"
6	322-055	1	Tubing, Clear, Lower, Model 521
	404-317	1	Tubing, Clear, Lower, Model 525
	404-513	1	Tubing, Clear, Lower, Models 531 & 537
7	404-188	1	Pipe, Lower, 1/4"NPT
8	66-004	AR	Washer, Shim, 9/16" ID x 1-1/16" OD x .079" Thick
9	404-816	1	Elbow, Pipe, Black, 3/8" x 1/4"
10	404-187	1	Pipe, Upper, 3/8"NPT
11	404-818	2	Clamp, 1/2" x 1-1/8"
12	404-186	1	Tubing, Clear, Upper
13	404-823	1	Coupling, 1/8"NPT
14	404-822	1	Breather
15	404-828	2	Strap, Pipe, 3/4" EMT
16	63-016	2	Screw, Whiz, Truss Head, 5/16"-18UNC x 1/2" Long
17	63-010	2	Nut, Flanged Hex, Whiz, 5/16"-18UNC

AR - As Required

NSS - Not Serviced Separately

ASN - After Serial No.

BSN - Before Serial No.





# Control Cable & Dump Valve

# WEAVERLINE

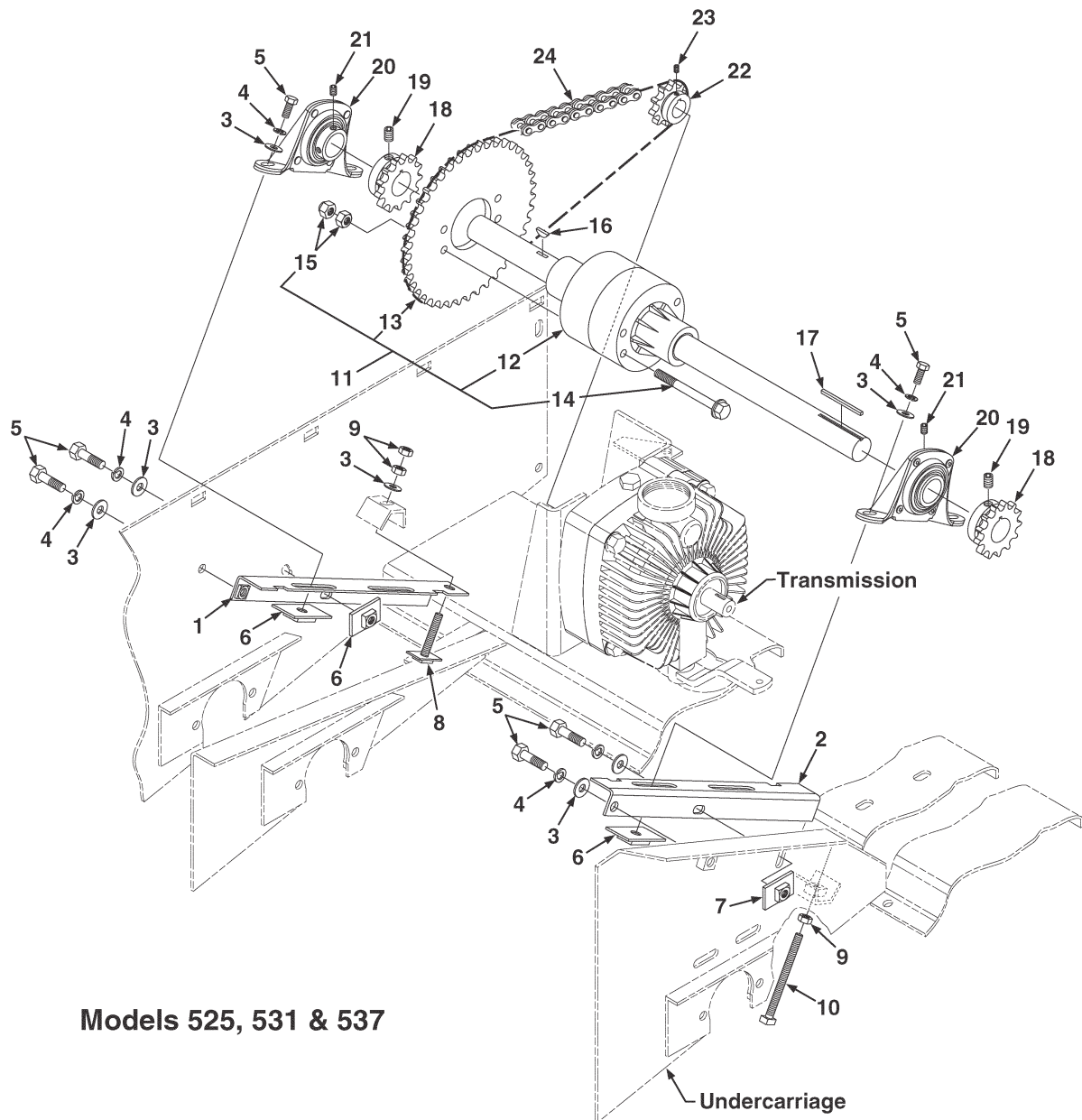
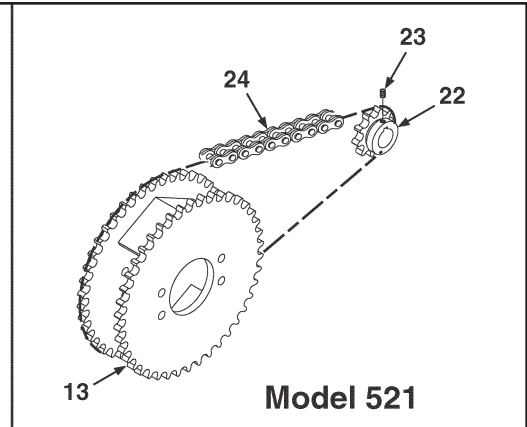
ITEM	PART NO.	QTY	DESCRIPTION
1	404-322	1	Cable, Control, Models 521 & 525
	404-517	1	Cable, Control, Model 531
	404-604	1	Cable, Control, Model 537 Includes Items 2 & 3
2	66-001	3	Nut, Hex, Jam, 5/8"-18UNF
3	66-002	1	Washer, Lock, Internal Teeth, 5/8"
4	66-003	2	Washer, Flat, 5/8" SAE
5	404-812	1	Hydroback
6	62-021	2	Nut, Hex, Half, 1/4"-28UNF
7	62-026	1	Nut, Hex, 1/4"-28UNF
8	404-813	2	Clevis
9	404-814	2	Pin, Clevis
10	61-015	2	Pin, Cotter, SS, 1/16" Dia. x 1/2" Long
11	202-962	2	Grommet
12	404-258	1	Bracket, Hydroback
13	404-135	1	Bracket, Dump Valve, Front
14	63-032	4	Bolt, Flanged Hex Head, Whiz, 5/16"-18UNC x 3/4" Long
15	63-010	5	Nut, Flanged Hex, Whiz, 5/16"-18UNC
16	404-253	1	Arm WA, Dump Valve
17	404-301	1	Rod, Dump Valve, Models 521 & 525
	404-508	1	Rod, Dump Valve, Model 531
	404-628	1	Rod, Dump Valve, Model 537
18	63-005	1	Washer, Flat, 5/16" SAE
19	61-002	1	Pin, Cotter, 3/32" Dia. x 5/8" Long
20	404-146	1	Bracket, Dump Valve, Rear
21	63-017	AR	Screw, Whiz, Truss Head, 5/16"-18UNC x 3/4" Long
22	64-011	4	Washer, Flat, 3/8" SAE
23	64-009	4	Nut, Hex, 3/8"-16UNC
24	64-023	2	Bolt, Hex Head, Gr5, 3/8"-16UNC x 2" Long
25	64-006	2	Washer, Lock, 3/8"

AR - As Required

NSS - Not Serviced Separately

ASN - After Serial No.

BSN - Before Serial No.



# Differential Mounting

# WEAVERLINE

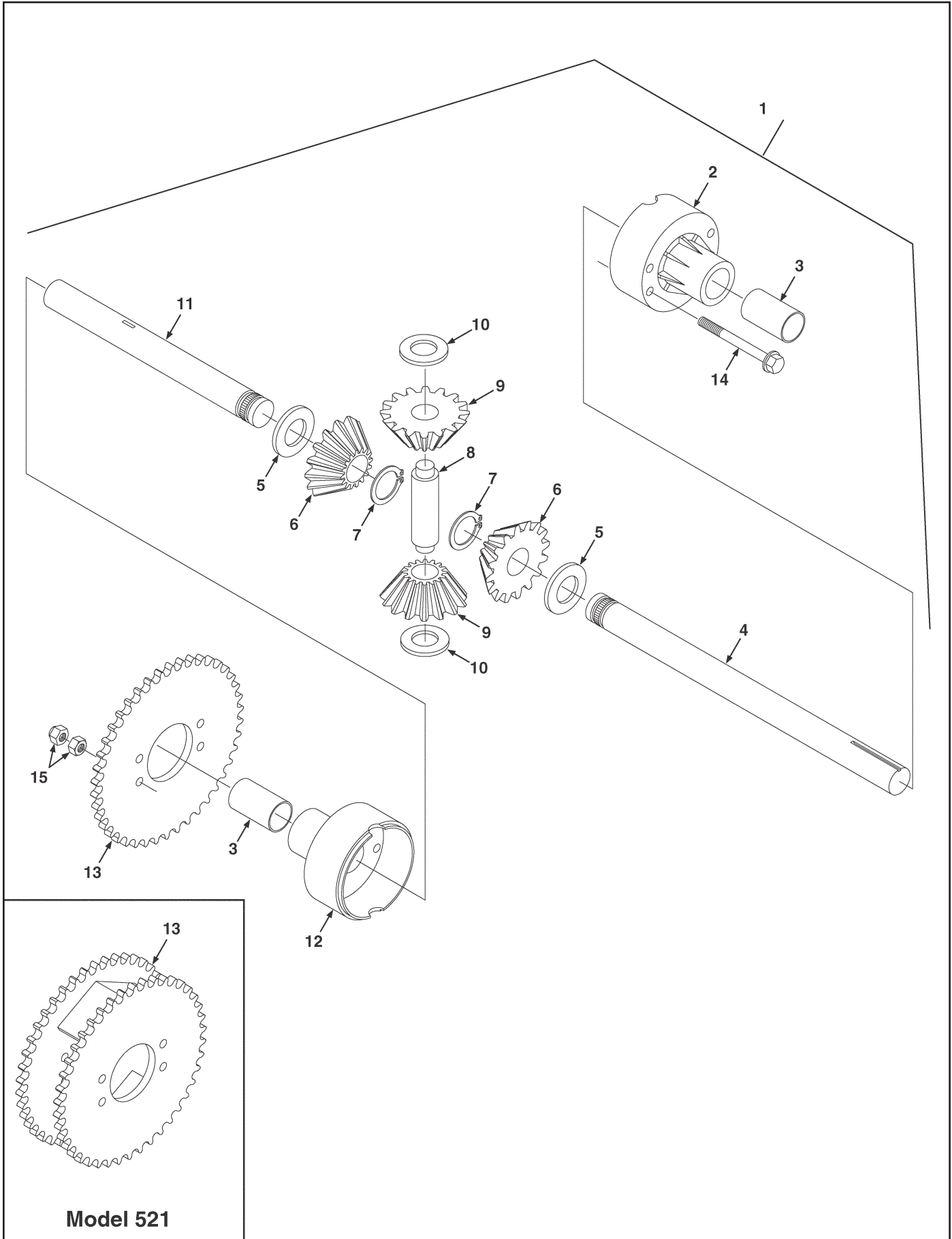
ITEM	PART NO.	QTY	DESCRIPTION
1	404-248	1	Bracket, LH, Differential Mounting
2	404-117	1	Bracket, RH, Differential Mounting
3	64-005	AR	Washer, Flat, 3/8" USS
4	64-006	8	Washer, Lock, 3/8"
5	64-012	8	Bolt, Hex Head, 3/8"-16UNC x 3/4" Long
6	404-250	3	Nut WA, Plate, Short, 3/8"-16UNC
7	404-251	1	Nut WA, Plate, Long, 3/8"-16UNC
8	404-254	1	Bolt WA, 3/8"-16UNC x 2-1/2" Long
9	64-009	AR	Nut, Hex, 3/8"-16UNC
10	64-021	1	Setscrew, Sq. Head, 3/8"-16UNC x 4" Long
11	322-830	1	Differential Assembly, Model 521, Includes Items 12 thru 15
	404-830	1	Differential Assembly, Models 525, 531 & 537, Includes Items 12 thru 15
12	322-831	1	Differential, Model 521
	404-831	1	Differential, Models 525, 531 & 537
13	322-075	1	Sprocket, Model 521
	303-103	1	Sprocket, Models 525, 531 & 537
14	303-114X2	4	Bolt, Flanged Hex Head, Gr8, 5/16"-18UNC x 4" Long
15	63-007	8	Nut, Hex, 5/16"-18UNC
16	69-014	1	Key, #141, Nickel Alloy
17	69-009	1	Key, 1/4" Sq. x 1" Long
18	404-807	2	Sprocket, Hardened, 1" Bore, 12 Teeth, Includes Item 19
19	NSS	2	Setscrew
20	404-806	2	Bearing, Pillow Block, Includes Item 21
21	NSS	2	Setscrew
22	404-811	1	Sprocket, #40 x 17mm Bore, 10 Teeth, Includes Item 23
23	NSS	1	Setscrew
24	404-809*	1	Chain, Drive, Roller, #40 - 59 Pitches
	322-829	1	Differential Assembly, W/3 Sprockets & 2 Bearings, Model 521
	404-829	1	Differential Assembly, W/3 Sprockets & 2 Bearings, Models 525, 531 & 537 Includes Items, 11, 15 thru 22
			*Note: All 3 SP Drive Chains are the same.

AR - As Required

NSS - Not Serviced Separately

ASN - After Serial No.

BSN - Before Serial No.



**Model 521**

## Differential Assembly

# WEAVERLINE

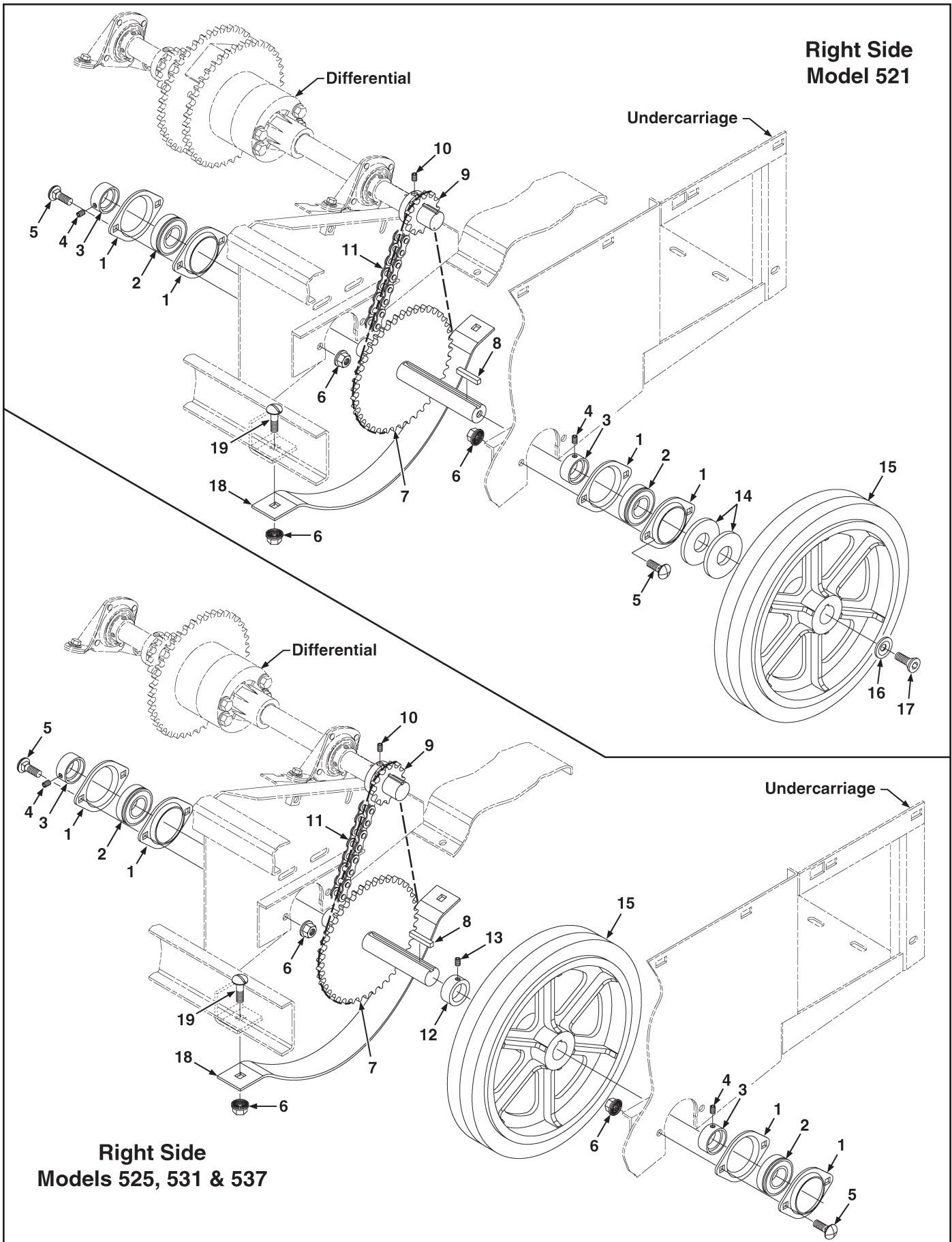
ITEM	PART NO.	QTY	DESCRIPTION
1	322-830	1	Differential Assembly, With Sprocket, Model 521
	404-830	1	Differential Assembly, With Sprocket, Models 525, 531 & 537 Includes Items 2 thru 15
	404-831	1	Differential Assembly, Without Sprocket Includes Items 2 thru 12
2	303-119	1	Housing Assembly, Right, Plain Bolt Holes, Includes Item 3
3	303-104	2	Bushing, Bronze
4	322-082	1	Shaft, Long, Differential RH, Model 521
	404-837	1	Shaft, Long, Differential RH, Models 525, 531 & 537
5	303-113	2	Washer, Flat, Hardened, 1"
6	303-111	2	Gear, Bevel, Axle
7	303-107	2	Ring, Snap
8	303-117	1	Pin, Long
9	303-110	2	Gear, Pinion
10	303-116	2	Washer, Flat, Hardened, 5/8"
11	322-081	1	Shaft, Short, Differential LH, Model 521
	404-836	1	Shaft, Short, Differential LH, Models 525, 531 & 537
12	303-118	1	Housing Assembly, Left, Threaded Bolt Holes, Includes Item 3
13	322-075	1	Sprocket, Model 521
	303-103	1	Sprocket, Models 525, 531 & 537
14	303-114X2	4	Bolt, Flanged Hex Head, 5/16"-18UNC x 4" Long
15	63-007	8	Nut, Hex, 5/16"-18UNC

AR - As Required

NSS - Not Serviced Separately

ASN - After Serial No.

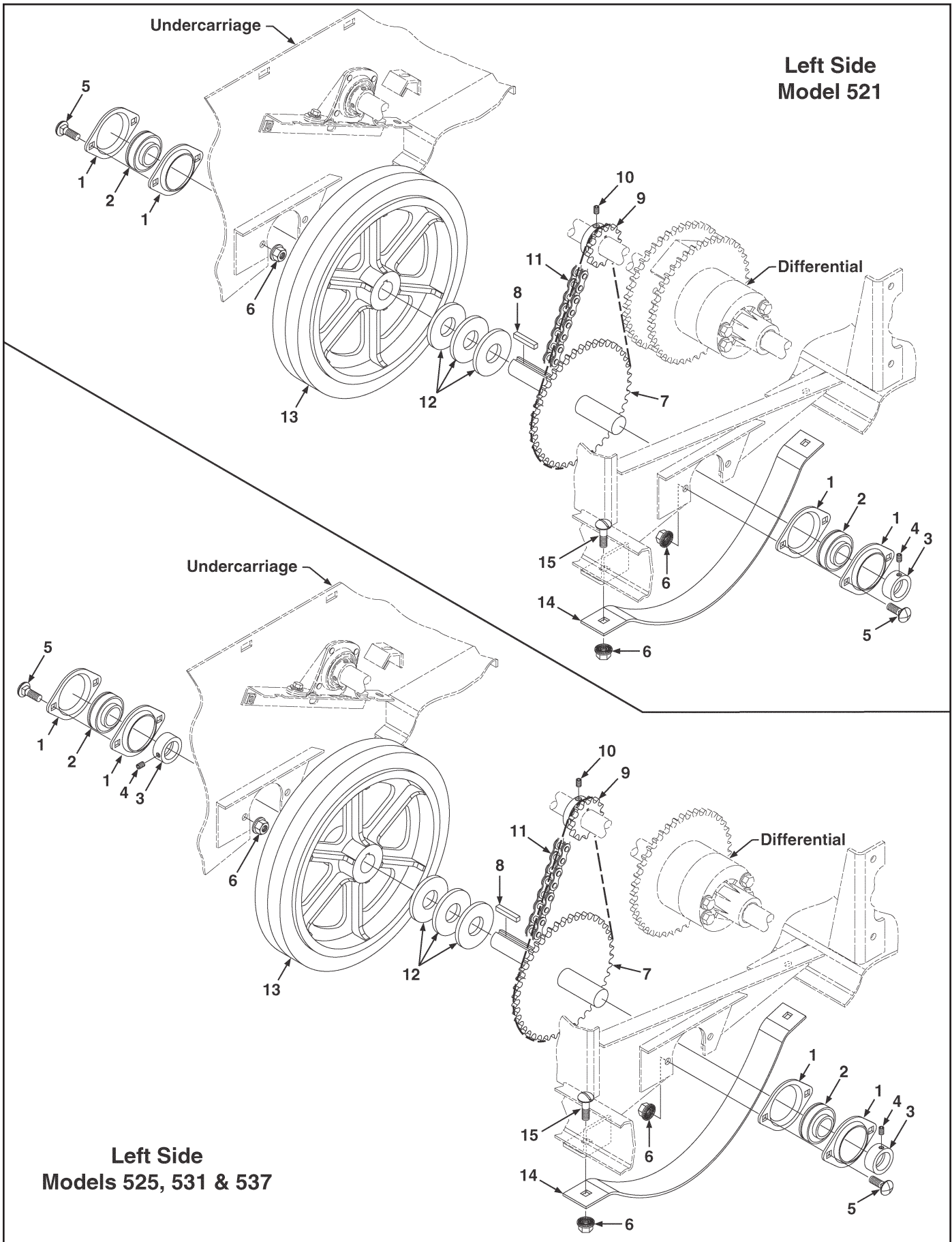
BSN - Before Serial No.



## Drive Wheel Right Side

# WEAVERLINE

ITEM	PART NO.	QTY	DESCRIPTION
1	202-916	2	Flangette, 2 Hole
2	202-915	1	Bearing, Ball, 1", Includes Items 3 & 4
3	NSS	1	Collar
4	NSS	1	Setscrew
5	63-009	8	Bolt, Carriage, 5/16"-18UNC x 3/4" Long
6	63-010	AR	Nut, Flanged Hex, Whiz, 5/16"-18UNC
7	322-066	1	Axle & Sprocket WA, RH, Model 521
	404-247	1	Axle & Sprocket WA, RH, Models 525, 531 & 537
8	69-003	1	Key, 1/4" Sq. x 2-1/2" Long
9	404-807	2	Sprocket, Hardened, 1" Bore, 12 Teeth, Includes Item 10
10	NSS	2	Setscrew
11	404-809*	1	Chain, Drive, Roller, #40 - 59 Pitches
12	202-697	1	Collar, Set, 1", Includes Item 13
13	NSS	1	Setscrew
14	68-006	2	Washer, Flat, 1" ID x 1-1/2" x 10 Gauge
15	202-900	1	Wheel, 12"
16	202-378	1	Washer, Special, Model 521 Only
17	64-018	1	Screw, Socket Flat Head, 3/8"-16UNC x 3/4" Long, Model 521 Only
18	404-111	1	Guard, Chain
19	63-016	2	Screw, Whiz, Truss Head, 5/16"-18UNC x 1/2" Long
			*Note: All 3 SP Drive Chains are the same.
<div style="display: flex; justify-content: space-between; font-size: small;"> <span>AR - As Required</span> <span>NSS - Not Serviced Separately</span> <span>ASN - After Serial No.</span> <span>BSN - Before Serial No.</span> </div>			



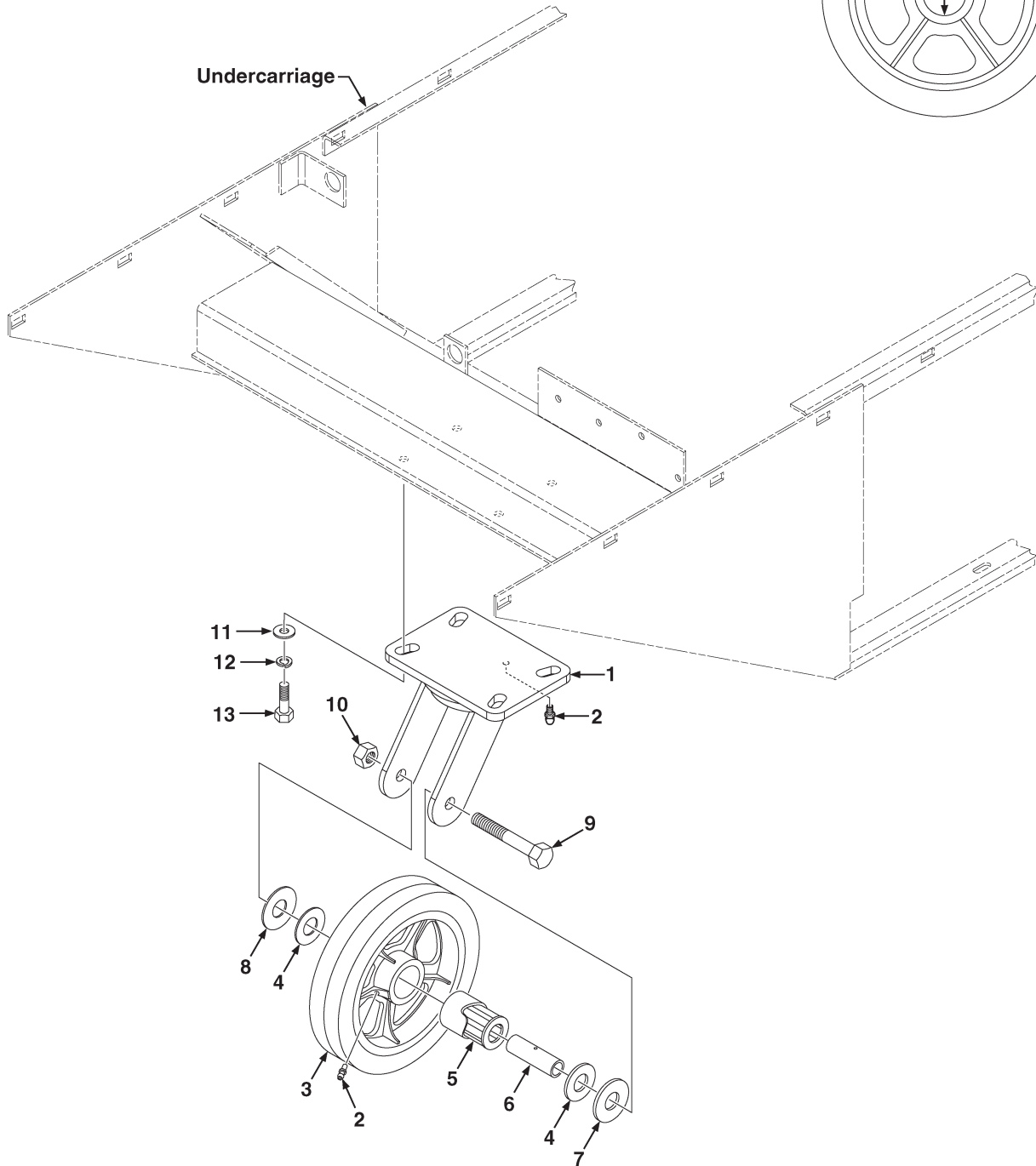
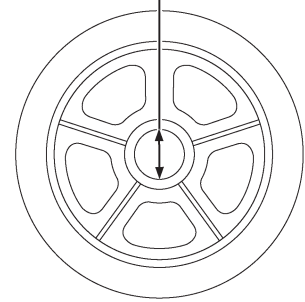


## Drive Wheel Left Side

# WEAVERLINE

ITEM	PART NO.	QTY	DESCRIPTION
1	202-916	2	Flangette, 2 Hole
2	202-915	1	Bearing, Ball, 1", Includes Items 3 & 4
3	NSS	1	Collar
4	NSS	1	Setscrew
5	63-009	8	Bolt, Carriage, 5/16"-18UNC x 3/4" Long
6	63-010	AR	Nut, Flanged Hex, Whiz, 5/16"-18UNC
7	322-065	1	Axle & Sprocket WA, LH, Model 521
	404-246	1	Axle & Sprocket WA, LH, Models 525, 531 & 537
8	69-003	1	Key, 1/4" Sq. x 2-1/2" Long
9	404-807	2	Sprocket, Hardened, 1" Bore, 12 Teeth, Includes Item 10
10	NSS	2	Setscrew
11	404-809*	1	Chain, Drive, Roller, #40 - 59 Pitches
12	68-001	AR	Washer, Flat, 1", 1/8" Thick
	68-003	AR	Washer, Flat, 1", 3/64" Thick
13	202-900	1	Wheel, 12"
14	404-111	1	Guard, Chain
15	63-016	2	Screw, Whiz, Truss Head, 5/16"-18UNC x 1/2" Long
			*Note: All 3 SP Drive Chains are the same.
<div style="display: flex; justify-content: space-between; font-size: small;"> <span>AR - As Required</span> <span>NSS - Not Serviced Separately</span> <span>ASN - After Serial No.</span> <span>BSN - Before Serial No.</span> </div>			

To order proper bearing for your wheel, measure the inside diameter of the wheels hub.

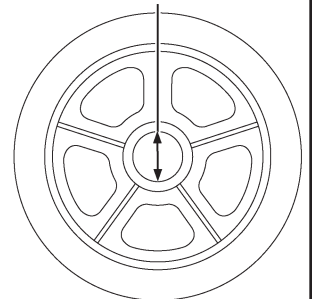


# Caster Wheel

# WEAVERLINE

ITEM	PART NO.	QTY	DESCRIPTION
	202-372	1	Caster Wheel Unit 6", Models 521 & 525
	202-372HD	1	Caster Wheel Unit 6", Heavy Duty, Models 521 & 525
	202-901MD	1	Caster Wheel Unit 8", Model 531
	202-901HD	1	Caster Wheel Unit 8", Heavy Duty, Models 531 & 537
			Includes Items 1 thru 10
1	202-380	1	Fork, Caster, 6", Models 521 & 525
	202-380HD	1	Fork, Caster, 6", Heavy Duty, Models 521 & 525
	202-676MD	1	Fork, Caster, 8", Model 531
	202-676HD	1	Fork, Caster, 8", Heavy Duty, Models 531 & 537
2	303-074	2	Fitting, Lube
3	202-373	1	Wheel, Caster, 6", Models 521 & 525
	202-373HD	1	Wheel, Caster, 6", Heavy Duty, Models 521 & 525
	202-677	1	Wheel, Caster, 8", Model 531
	202-677HD	1	Wheel, Caster, 8", Heavy Duty, Models 531 & 537
			IF ID of Wheel Hub = 1-3/16"
4	303-071	2	Washer, Flat, Bearing Retaining, 3/4" ID x 1-3/16" OD
	202-381	1	Bearing & Bushing Assembly, 1-3/16", Includes Items 5 & 6
5	303-065	1	Bearing & Sleeve
6	303-064	1	Bushing, Spanner
7	67-007	AR	Washer, Flat, 3/4" ID x 2" OD
8	67-007	AR	Washer, Flat, 3/4" ID x 2" OD
9	65-018	1	Bolt, Hex Head, 1/2"-13UNC x 3-1/2" Long
10	65-019	1	Nut, Hex, Lock, 1/2"-13UNC
			IF ID of Wheel Hub = 1-7/16"
4	303-072	2	Washer, Flat, Bearing Retaining, 3/4" ID x 1-7/16" OD
	202-998	1	Bearing & Bushing Assembly, 1-7/16", Includes Items 5 & 6
5	303-066	1	Bearing & Sleeve
6	303-064	1	Bushing, Spanner
7	67-007	AR	Washer, Flat, 3/4" ID x 2" OD
8	67-007	AR	Washer, Flat, 3/4" ID x 2" OD
9	65-018	1	Bolt, Hex Head, 1/2"-13UNC x 3-1/2" Long
10	65-019	1	Nut, Hex, Lock, 1/2"-13UNC
			IF ID of Wheel Hub = 1-15/16"
4	303-073	2	Washer, Flat, Bearing Retaining, 1" ID x 1-15/16" OD
	202-999	1	Bearing & Bushing Assembly, 1-15/16", Includes Items 5 & 6
5	303-063	1	Bearing & Sleeve
6	303-062	1	Bushing, Spanner
7	68-005	AR	Washer, Flat, 1" ID x 2-1/2" OD x 1/8" Thick
8	68-004	AR	Washer, Flat, 1" ID x 2-1/2" OD x 1/16" Thick
9	67-003	1	Bolt, Hex Head, 3/4"-10UNC x 5" Long
	67-008*	1	Bolt, Hex Head, 3/4"-10UNC x 5" Long
10	67-004	1	Nut, Hex, Lock, 3/4"-10UNC
11	65-014	4	Washer, Flat, 1/2" SAE
12	65-003	4	Washer, Lock, 1/2"
13	65-013	4	Bolt, Hex Head, 1/2"-13UNC x 1-1/4" Long
			* W/Grease Fitting, 6" Heavy Duty Wheel Only

To order proper bearing for your wheel, measure the inside diameter of the wheels hub.

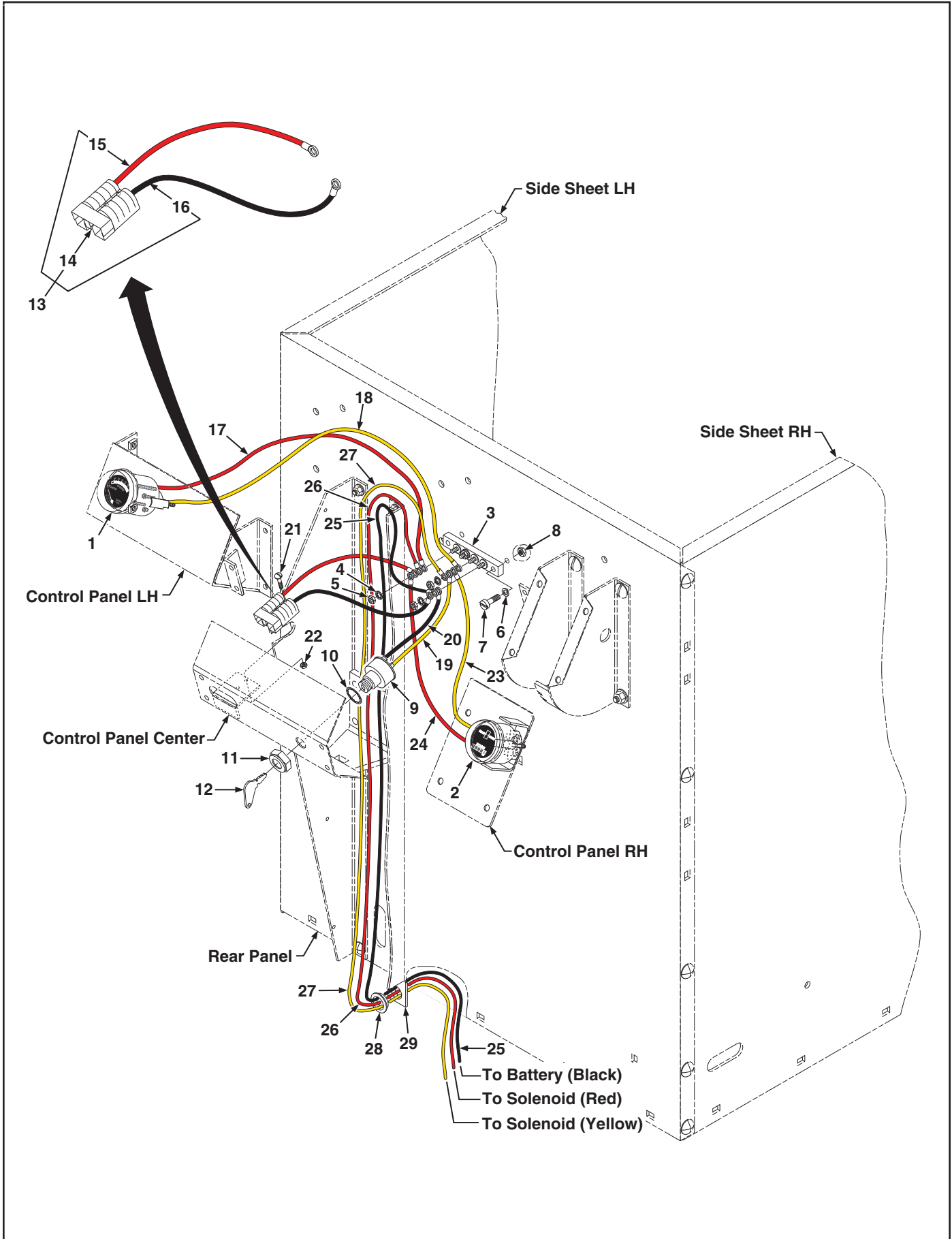


AR - As Required

NSS - Not Serviced Separately

ASN - After Serial No.

BSN - Before Serial No.



# Switch, Charger Receptacle & Gauges



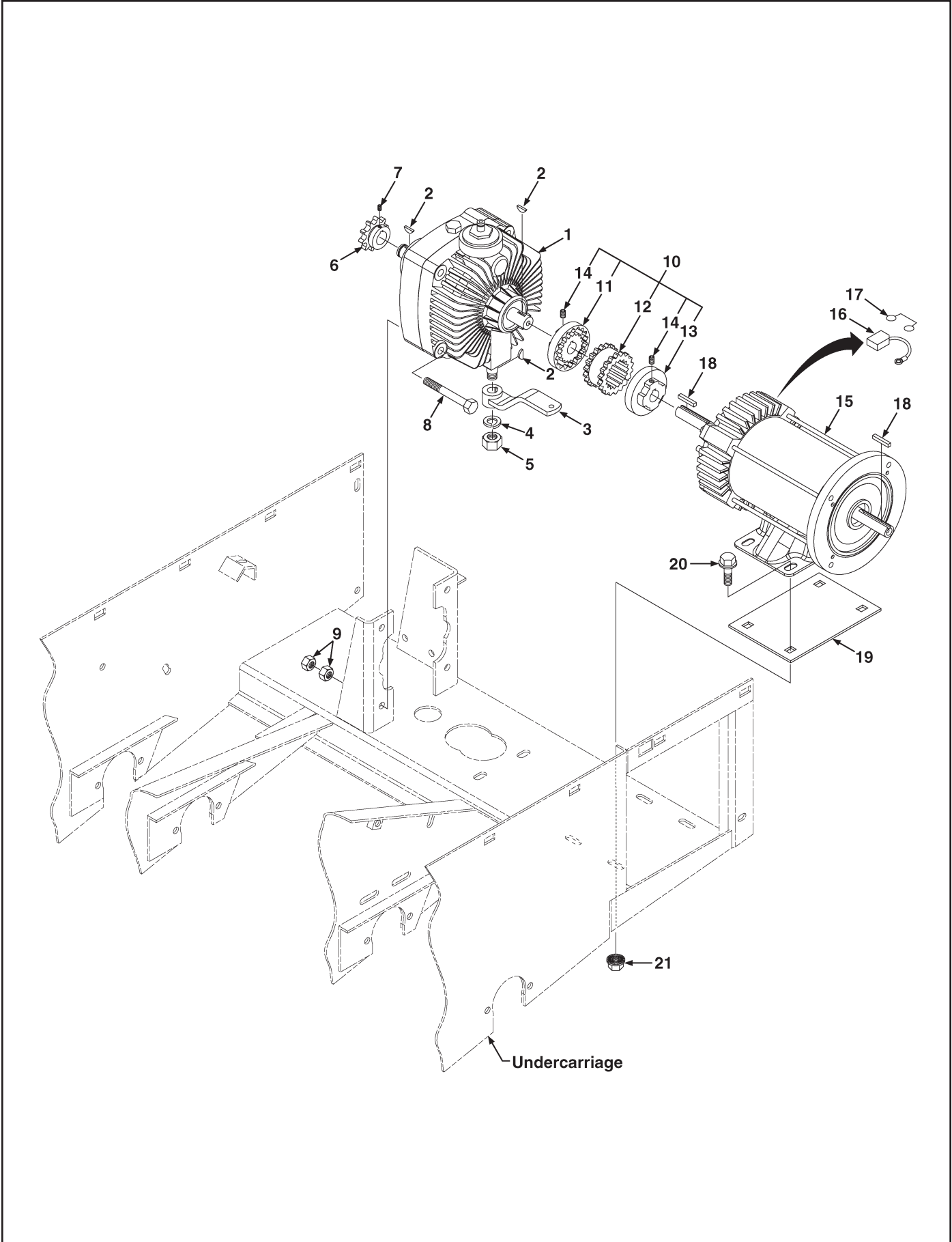
ITEM	PART NO.	QTY	DESCRIPTION
1	404-825	1	Voltmeter, 24 Volt
2	404-824	1	Meter, Hour
3	404-827	1	Block, Junction, Includes Items 4 & 5
4	NSS	4	Washer, Lock
5	NSS	4	Nut, Hex
6	61-018	2	Washer, Lock, #10
7	61-013	2	Screw, Machine, Nylon, #10-32UNF x 5/8" Long
8	61-014	2	Nut, Hex, #10-32UNF
9	202-954	1	Switch, Key, Includes Items 10 thru 12
10	NSS	1	Washer, Lock
11	NSS	1	Nut, Hex
12	202-955	1	Key
13	404-431	1	Receptacle & Wire Assembly, Includes Items 14 thru 16, <b>Recommended</b>
14	202-960	1	Receptacle, Charger & Contacts
15	404-200	1	Wire, Black, Charger Receptacle to Junction Block
16	404-201	1	Wire, Red, Charger Receptacle to Junction Block
17	322-034	1	Wire, Red, Hour Meter to Junction Block, Model 521
	404-194	1	Wire, Red, Hour Meter to Junction Block, Modes 525, 531 & 537
18	322-031	1	Wire, Yellow, Hour Meter to Junction Block, Model 521
	404-196	1	Wire, Yellow, Hour Meter to Junction Block, Modes 525, 531 & 537
19	404-199	1	Wire, Yellow, Switch to Junction Block
20	404-198	1	Wire, Black, Switch to Junction Block
21	61-017	2	Screw, Machine, Truss Head, #6-32UNC x 3/4" Long
22	61-011	2	Nut, Hex, #6-32UNC
23	322-032	1	Wire, Yellow, Voltmeter to Junction Block, Model 521
	404-197	1	Wire, Yellow, Voltmeter to Junction Block, Models 525, 531 & 537
24	322-033	1	Wire, Red, Voltmeter to Junction Block, Model 521
	404-195	1	Wire, Red, Voltmeter to Junction Block, Models 525, 531 & 537
25	322-029	1	Wire, Black, Junction Block to Battery, Model 521
	404-321	1	Wire, Black, Junction Block to Battery, Model 525
	404-516	1	Wire, Black, Junction Block to Battery, Model 531
	404-606	1	Wire, Black, Junction Block to Battery, Model 537
26	322-028	1	Wire, Red, Junction Block to Solenoid, Model 521
	404-320	1	Wire, Red, Junction Block to Solenoid, Model 525
	404-515	1	Wire, Red, Junction Block to Solenoid, Models, 531 & 537
27	322-030	1	Wire, Yellow, Junction Block to Solenoid, Model 521
	404-319	1	Wire, Yellow, Junction Block to Solenoid, Model 525
	404-514	1	Wire, Yellow, Junction Block to Solenoid, Models 531 & 537
28	202-962	1	Grommet
29	202-585	1	Support, Wire

AR - As Required

NSS - Not Serviced Separately

ASN - After Serial No.

BSN - Before Serial No.



# Motor & Hydrostatic

# WEAVERLINE

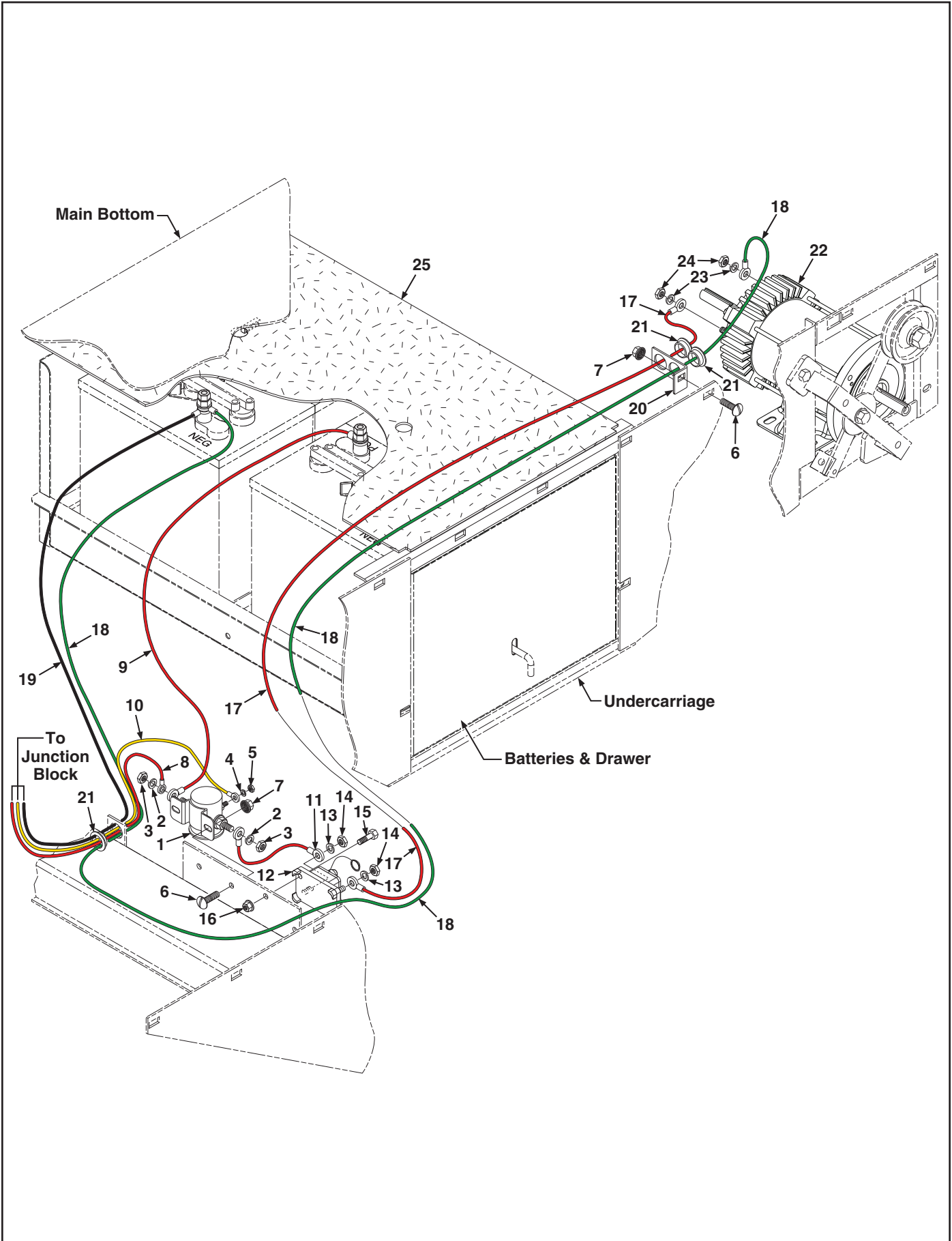
ITEM	PART NO.	QTY	DESCRIPTION
1	404-810X1	1	Hydrostatic Transmission Unit
2	69-013	3	Key, #3 Woodruff, Nickel Alloy
3	322-080	1	Arm, Control, Hydro, Model 521
	404-252	1	Arm, Control, Hydro, Models 525, 531 & 537
4	64-006	1	Washer, Lock, 3/8"
5	64-009	1	Nut, Hex, 3/8"-16UNC
6	404-811	1	Sprocket, #40 x 17mm Bore, 10 Teeth, Includes Item 7
7	NSS	1	Setscrew
8	64-022	4	Bolt, Hex Head, 3/8"-24UNF x 3" Long
9	64-007	8	Nut, Hex, 3/8"-24UNF
10	505-806	1	Coupling, S-Flex, Includes Items 11 thru 14
11	505-809	1	Coupler, Half, 17mm Bore
12	505-807	1	Spider, Rubber
13	505-808	1	Coupler, Half, 5/8" Bore
14	NSS	4	Setscrew
15	321-600S	1	Motor, 24 Volt DC, Scott, Model 521
	202-600S	1	Motor, 24 Volt DC, Scott, Models 525, 531 & 537 Includes Item 16 & 17
16	202-980SC	4	Brush, Scott Motor
17	404-849	4	Spring, Brush, Scott Motor Only
18	69-015	2	Key, 3/16" Sq. x 7/8" Long, Model 521
	69-006	2	Key, 3/16" Sq. x 1-3/8" Long, Models 525, 531 & 537
19	484-031	AR	Shim, Motor, .031
	484-038	AR	Shim, Motor, .038
	484-050	AR	Shim, Motor, .050
	484-063	AR	Shim, Motor, .063
	484-078	AR	Shim, Motor, .078
20	63-032	4	Bolt, Flanged Hex Head, Whiz, 5/16"-18UNC x 3/4" Long
21	63-010	4	Nut, Flanged Hex, Whiz, 5/16"-18UNC
	484-030	1	Shims, Set of 5, .031, .038, .050, .063 & .078

AR - As Required

NSS - Not Serviced Separately

ASN - After Serial No.

BSN - Before Serial No.





# Solenoid & Circuit Breaker



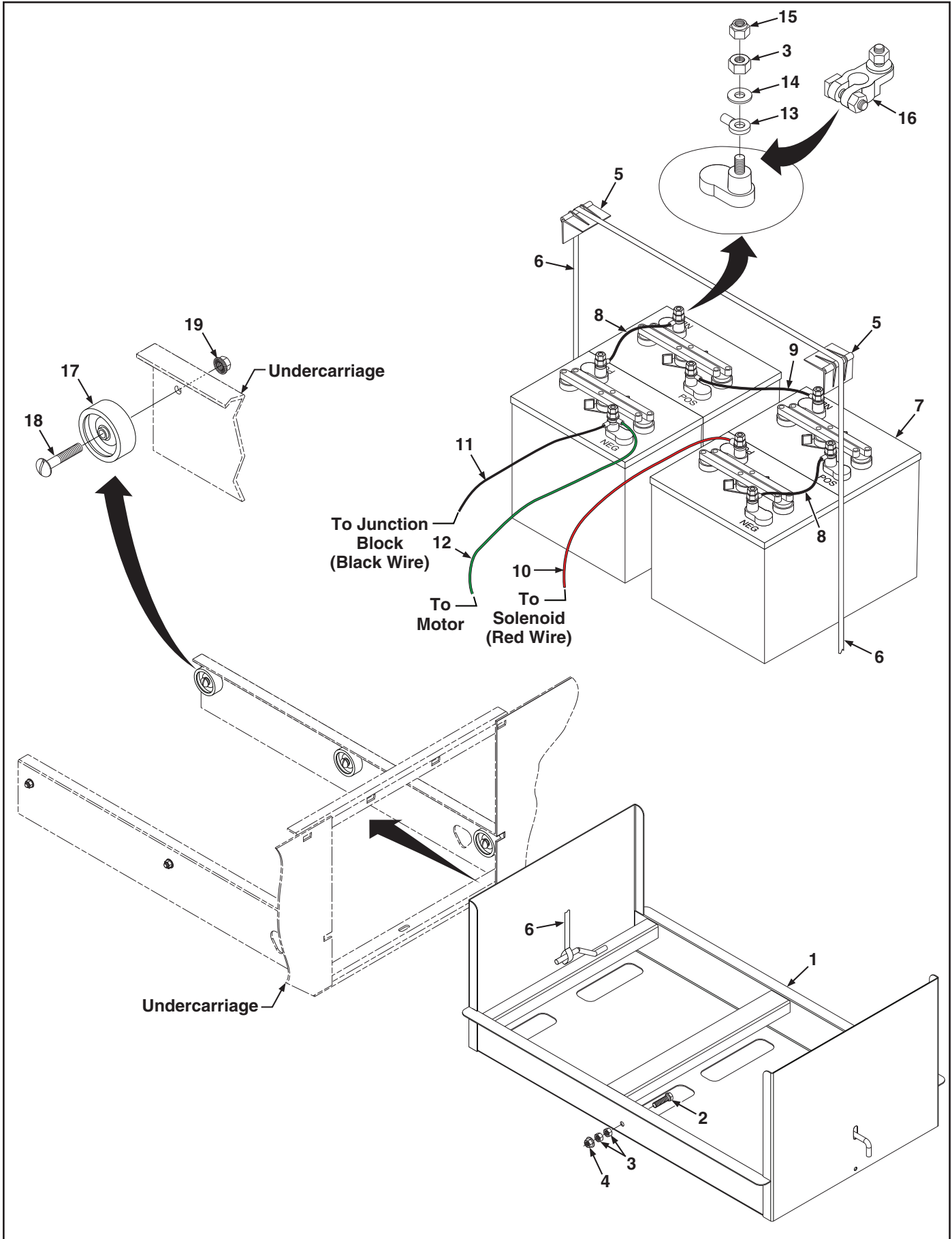
ITEM	PART NO.	QTY	DESCRIPTION
1	202-405	1	Solenoid, 24 Volt (Special), Includes Items 2 thru 5
2	NSS	2	Washer, Lock
3	NSS	2	Nut, Hex
4	NSS	1	Washer, Lock
5	NSS	1	Nut, Hex
6	63-016	3	Screw, Wiz, Truss Head, 5/16"-18UNC x 1/2" Long
7	63-010	2	Nut, Flanged Hex, Whiz, 5/16"-18UNC
8	322-028	1	Wire, Red, Junction Block to Solenoid, Model 521
	404-320	1	Wire, Red, Junction Block to Solenoid, Model 525
	404-515	1	Wire, Red, Junction Block to Solenoid, Models, 531 & 537
9	322-072	1	Wire, Red, Solenoid to Battery, Model 521
	202-568	1	Wire, Red, Solenoid to Battery, Models 525 & 531
	404-611	1	Wire, Red, Solenoid to Battery, Model 537
10	322-030	1	Wire, Yellow, Junction Block to Solenoid, Model 521
	404-319	1	Wire, Yellow, Junction Block to Solenoid, Model 525
	404-514	1	Wire, Yellow, Junction Block to Solenoid, Models 531 & 537
11	404-429	1	Wire, Red, Solenoid to Circuit Breaker, Models 521, 525 & 531
	404-612	1	Wire, Red, Solenoid to Circuit Breaker, Model 537
12	404-856	1	Circuit Breaker, 120 Amp, Includes Items 13 & 14
13	NSS	2	Washer, Lock
14	NSS	2	Nut, Hex
15	62-013	2	Bolt, Hex Head, 1/4"-20UNC x 3/4" Long
16	62-002	2	Nut, Flange Hex, Whiz, 1/4"-20UNC
17	404-846	1	Wire, Red, Circuit Breaker to Motor, Models 521, 525 & 531
	404-613	1	Wire, Red, Circuit Breaker to Motor, Model 537
18	322-071	1	Wire, Green, Battery to Motor, Model 521
	404-847	1	Wire, Green, Battery to Motor, Models 525 & 531
	404-614	1	Wire, Black, Battery to Motor, Model 537
19	322-029	1	Wire, Black, Junction Block to Battery, Model 521
	404-321	1	Wire, Black, Junction Block to Battery, Model 525
	404-516	1	Wire, Black, Junction Block to Battery, Model 531
	404-606	1	Wire, Black, Junction Block to Battery, Model 537
20	404-216	1	Wire Guide
21	202-962	3	Grommet
22	321-600S	1	Motor, 24 Volt DC, Scott, Model 521
	202-600S	1	Motor, 24 Volt DC, Scott, Models 525, 531 & 537 Includes Items 23 & 24
23	NSS	2	Washer, Lock
24	NSS	2	Nut, Hex
25	404-227	1	Glassboard,

AR - As Required

NSS - Not Serviced Separately

ASN - After Serial No.

BSN - Before Serial No.



## Battery Drawer & Batteries

# WEAVERLINE

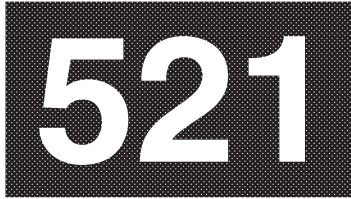
ITEM	PART NO.	QTY	DESCRIPTION
1	505-453	1	Drawer WA, Model 521
	505-206	1	Drawer WA, Models 525, 531 & 537
2	63-012	1	Bolt, Hex Head, 5/16"-18UNC x 1" Long
3	63-037SS	AR	Nut, Hex, SS, 5/16"-18UNC
4	63-010	1	Nut, Flange Hex, Whiz, 5/16"-18UNC
5	505-811	2	Angle, Plastic, Battery Hold-Down
6	505-454	1	Strap, Battery Tie Down, Model 521
	505-121	1	Strap, Battery Tie Down, Models 525, 531 & 537
7	202-966W4	4	Battery, 6 Volt, Wet
8	202-597	2	Wire, Green, Battery to Battery, Models 521, 525 & 531
	404-615	2	Wire, Black, Battery to Battery, Model 537
9	202-598	1	Wire, Green, Battery to Battery, Models 521, 525 & 531
	404-616	1	Wire, Black, Battery to Battery, Model 537
10	322-072	1	Wire, Red, Solenoid to Battery, Model 521
	202-568	1	Wire, Red, Solenoid to Battery, Models 525 & 531
	404-611	1	Wire, Red, Solenoid to Battery, Model 537
11	322-029	1	Wire, Black, Junction Block to Battery, Model 521
	404-321	1	Wire, Black, Junction Block to Battery, Model 525
	404-516	1	Wire, Black, Junction Block to Battery, Model 531
	404-606	1	Wire, Black, Junction Block to Battery, Model 537
12	322-071	1	Wire, Green, Battery to Motor, Scott Motor, Model 521
	404-847	1	Wire, Green, Battery to Motor, Scott Motor, Models 525 & 531
	404-614	1	Wire, Black, Battery to Motor, Model 537
13	202-957	AR	Terminal, Wire, 8 Gauge, 5/16" Ring
14	212-213	1	Protector, Battery Terminal, Bag of 8
15	63-033	8	Nut, Hex, Nylon, 5/16"-18UNC
16	202-984	AR	End, Battery Post Repair, Clamp
17	404-848	6	Roller
18	62-027	6	Screw, Truss Head, 1/4"-20UNC x 1-1/4" Long
19	62-002	6	Nut, Flange Hex, Whiz, 1/4"-20UNC

AR - As Required

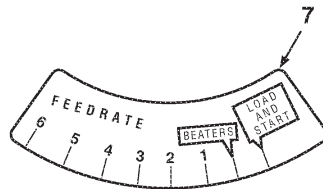
NSS - Not Serviced Separately

ASN - After Serial No.

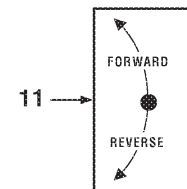
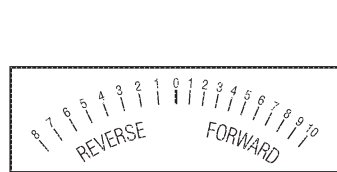
BSN - Before Serial No.



**CHARGING INSTRUCTIONS**  
**IMPORTANT!** For long battery life:  
 ★ Charge only after meter shows recharge.  
 ★ Do not charge more often than necessary.  
 ★ Check water level in battery once a month, or more often if necessary. Add water if needed.  
 ★ Get final use out of old batteries by charging more often.



PULL LEVER OUT FOR  
**FREE WHEELING**  
**ONLY** TO PUSH CART  
 WITHOUT MOTOR RUNNING



**WARNING**

Do not operate unit if shields are not in place and secure.  
 Keep hands and feet clear when unit is operating.  
 Always turn motor off before servicing unit.

**WARNING**

1. Always remove key when servicing or when not in use.
2. Make certain everyone is clear of cart before engaging either the feeding or propelling drive.
3. Operate cart at a safe speed.
4. Shut off motor when loading or stopping feeding even for short time.
5. Keep shields in place.
6. Always shield eyes when working near batteries.

**FAILURE TO HEED MAY RESULT IN PERSONAL INJURY**

**WARNING**

Never reach into an operating Feed Cart for any reason.  
 Do not stand or sit on Feed Cart bin when unit is operating.  
 Auger is turning and in motion any time motor or power is on.

# Decals

# WEAVERLINE

ITEM	PART NO.	QTY	DESCRIPTION
1	212-250	2	Decal, Weaverline, Side Models 521 & 525
	212-249	2	Decal, Weaverline, Side Models 531 & 537
2 3 4 5 6 7 8 9 10 11 12 13 14	212-250	1	Decal, Weaverline, Front, All Models
	212-251	2	Decal, 521
	212-252	2	Decal, 525
	212-253	2	Decal, 531
	212-254	2	Decal, 537
	212-231	1	Decal, Charging Instructions
	212-232	1	Decal, Feed Rate
	212-237	1	Decal, Free Wheeling
	212-233	1	Decal, Speed Indicator
	212-236	1	Decal, Feeder Clutch
	212-238	1	Decal, Forward/Reverse
	212-259	1	Decal, Warning, Shields
	212-235	1	Decal, Warning, Key
	212-260	1	Decal, Warning, Augers
	212-255	1	Kit, Decal, Full Set Model 521
	212-256	1	Kit, Decal, Full Set Model 525
	212-257	1	Kit, Decal, Full Set Model 531
	212-258	1	Kit, Decal, Full Set Model 537

AR - As Required

NSS - Not Serviced Separately

ASN - After Serial No.

BSN - Before Serial No.