



USER MANUAL

Safety, Maintenance & Operating Instructions

This manual should always stay with the machine.
Read carefully before operating any attachment.



Table of Contents

Introduction	Page 3
Safety	Page 4
Pre Check / Hydraulics	Page 5
Description of safety warnings	Page 6
Hitching / Unhitching	Page 7
Sharpening Blades	Page 8
Warranty	Page 9
Shear Genius	Page 11
Mega Bite	Page 14
Shear Grab	Page 16
Tractor & Telehandler Tine Grab	Page 17
Tractor & Telehandler Grapple Bucket	Page 18
Bag Filler Bucket	Page 19
Round Neck Bag Filler Bucket	Page 21
Forklift Bag Filler Bucket	Page 22
Forklift Tipping Bucket	Page 25
Hi-Tip Bucket	Page 26
Bale Handler	Page 28
Bale Grab	Page 30
Bale Stacker (C320,C430)	Page 32
Folding Grass Fork	Page 35
Push Off Grass Fork	Page 37
ProSweep	Page 40
Other Attachments	Page 42

Dear user,

We thank you for placing your trust in our product and hope you will find your attachment satisfactory in every way.

Taking a few minutes to read this manual will enable you to use the capabilities of your attachment to the full while prolong its service life and ensure safe operation. This user manual is an important document, please retain it in order to be referred to if required. Make it available to any other users and hand it over to any new owner in the event of your attachment being sold on.

The illustrations and technical data shown in this document might not match your attachment model exactly, operating conditions will nevertheless remain the same.

**The user must read and understand
this manual before first use.**





IMPORTANT: Read this before operating any attachment

Most farm accidents can be avoided by observing simple precautions. You should read through the following precautions before operating the equipment, and at intervals afterwards to refresh your memory.

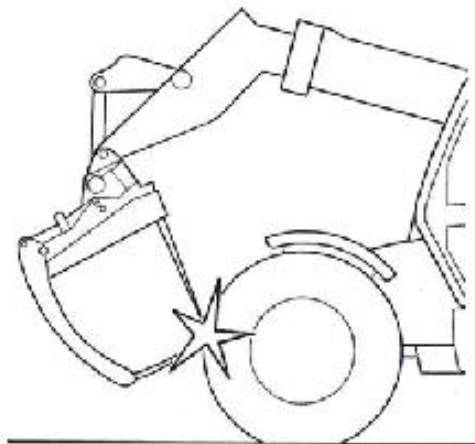
BE ALERT to the following dangers:

- For your complete safety and that of others, strict compliance with the hitching and unhitching procedure for the attachment is required (see page 7 of this manual).
- Check periodically to ensure that safety pins and bolts are in place. Do not replace them with any other items such as: nails, wire, etc.
- Only one operator when attachment is in use.
- Before fitting the equipment to a machine, check the combined weight of the attachment and the load does not exceed the safe working load of the front axle and tyres of the tractor/loader. It is important to ensure that the hydraulic capacity of the machine is adequate.
- Before starting the machine to use the equipment, check that all the bolts and connections are tight and that the lift mechanisms are in good working order. Check for oil leaks, and ensure all guards are securely in position.
- Check hoses for length by routing in all configurations (fully crowded, fully dumped, etc.) before first use.
- Before using the equipment for the first time, practice using the controls a number of times, well away from any buildings or persons and on solid level ground.
- Before carrying out any maintenance to the attachment, ensure the machine engine is switched off, the parking brake is on, the ignition key removed, and the attachment is supported. Never place your arms, hands, legs or head in the machine.
- Hydraulic oil at normal working pressure is dangerous. Stop the machine, remove the key, before connecting hydraulic hoses, and operate the controls to release the pressure in the system. Never start the machines engine when hoses are open.
- Check hoses regularly for signs of leakage or damage. Use a piece of card when checking for leaks. Fine jets of hydraulic fluid can penetrate the skin. Never use your fingers or face to check for leaks. If affected by Hydraulic fluid seek medical help immediately. Replace any worn or damaged hoses immediately.
- When travelling on the road it is imperative that the regulations governing use on the public road be observed (size, implement markings, etc.) Protruding items such as blades must be protected or stowed (grab closed/ tine guard).
- When moving the machine fitted with an attachment, allow for the ground conditions. Drive slowly on wet slippery or bumpy ground. Never make fast starts, stops or turns when carrying a load, Remember your traction is greatly reduced when the machine is loaded at the front.
- When moving a machine fitted with an attachment, lower and close the attachment to shield the blades. Always carry loads as near to the ground as possible.
- Whenever the tractor or telescopic handler is stopped momentarily or for an extended period, the engine must be shut down and the attachment lowered.
- Take great care when operating at height in order to avoid catching any items (electric power or telephone lines, guttering, roof trusses, etc.).
- Never pass under a raised attachment (full or empty)
- Carrying or lifting personnel using any attachment is forbidden. Never stand or pass under the load.
- Always wear heavy gloves when sharpening the blades of any attachments. (see page 8)
- When operating the equipment, make sure there are no spectators, especially children, anywhere near the machines.
- Ensure any attachment is closed when not in use and is supported so that it can not fall over.
- Any work involving fault tracing (diagnostics) and/or disassembly of parts may only be undertaken by a skilled technician who will start with an assurance that the work will be carried out in complete safety for himself and his surroundings.

- Any modification to any part of an attachment supplied (rams, grab, tines, attachment itself, etc.) or use of a component installed on an attachment which has not originated from ProDig will void ProDig warranty on the entire attachment.
- Warranty cover will cease immediately in the event of failure to observe the standards and instructions for use and maintenance of an attachment as stipulated in the user manual.
- Youths under the age of 16 must not operate an attachment.
- The operator must be fully trained before using an attachment.
- A safe distance of at least 10m must be observed by anyone within the vicinity of an attachment.
- The manufacturer will not be responsible for any damages or injuries caused by unauthorised repair, alterations or mishandling of the product.
- Regularly check all bolts and tighten if necessary.
- NEVER attempt to move an implement manually.
- NEVER attempt to clear a blockage without stopping the machine and removing the key from the prime mover.

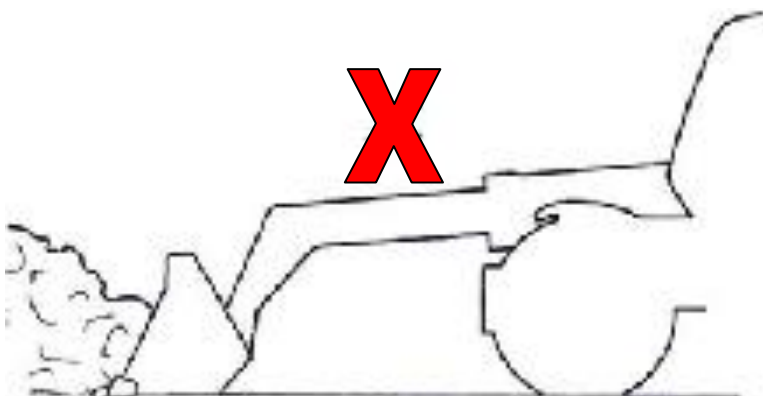
CAUTION

Some attachments (e.g. buckets, manure forks, etc) can cause damage to the front tyres of a loader or tractor when lowered and the carriage is tilted forward. Exercise caution when lowering the boom.



CAUTION

Do not extend the boom when an attachment is connected to the high flow auxiliary connectors.



Pre Check for all Attachments

Machine Hydraulic Connection

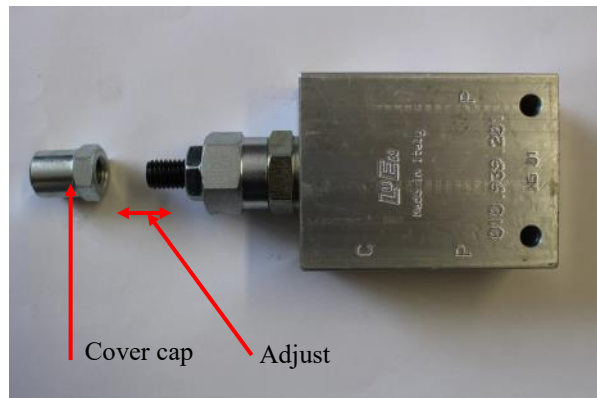
Hydraulic pressure should never exceed 200 bar. Check the hydraulic specification of the machine onto which the attachment will be fitted to find out its maximum hydraulic pressure for attached implements. If the attachment is to be used on a machine capable of generating over 200 bar which is mainly confined to telescopic loaders and other industrial spec machines a pressure relief valve is required. Contact your Prodig dealer in this event.

Sequence Valve

Sequence valves are pre-set to 200 bar. If being used on machines with different pressure the sequence valve may need to be reset. To do this remove the cover cap as shown and adjust valve with an Allen key. This may only required a small adjusting depending on the pressure.

Pre Check

Before using any attachment, it is extremely important to check that the blades are both clean and sharp. It may be necessary to sharpen a new machine lightly to ensure efficient working. Check that all hydraulic connections are secure and brackets are lock securely.



Cover cap Adjust

Sequence valve

Description of safety warnings

It is important that all safety warnings and instructions are understood and followed. If any of the decals become damaged, or are missing, they are available from Prodig Attachments.



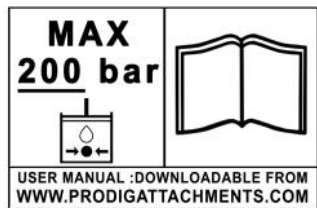
Part number: ST 03
NOTICE. Blades to be sharpened before first use and weekly thereafter



Part number: ST 04
Continuously check the condition of the blades. Sharpen to keep the attachment in optimum cutting condition. Blades should only be sharpened with a file.



Part number: ST 05
Warning! Keep animals away from the blades. Always leave the grabs in the closed position when it is not in use with blades covered.



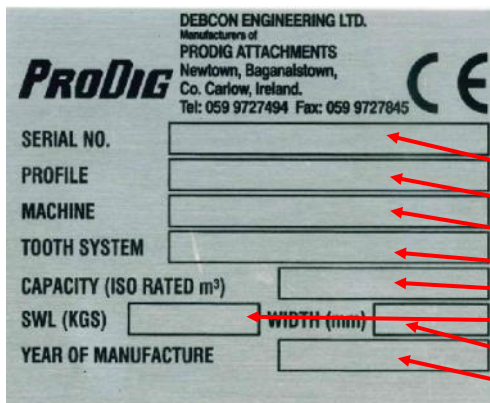
Part number: ST 06
Read user manual before use. Hydraulic pressure should never exceed 200 bar. See hydraulic section for further details (page 5). User manual downloadable from WWW.PRODIGATTACHMENTS.COM



Part number: ST 07
Grease daily to keep the attachment in optimum condition.



Part number: ST 08
Warning. Pinch point. Keep hands clear during operation.



Part number: ST 09
Name plate/ identification.
Always quote the serial number when obtaining replacement parts

1. Serial number
2. Profile
3. Machine/ hitch
4. Tooth system
5. Capacity (ISO rates m3)
6. Weight (kg)
7. Width (mm)
8. Year of manufacture

Hitching and unhitching

Ensure hooks and pins are in self working conditions on the attachment and the machine before hitching to the attachment. Approach the attachment with the headstock of your machine tilted forward and at a controllable speed. Ensure the attachment is centred on the headstock and its entire weight is supported. Ensure locking pins are fully trough brackets and locked securely before use. Before use check the attachment is locked securely by routing in all configurations (fully crowded, fully dumped, etc.)

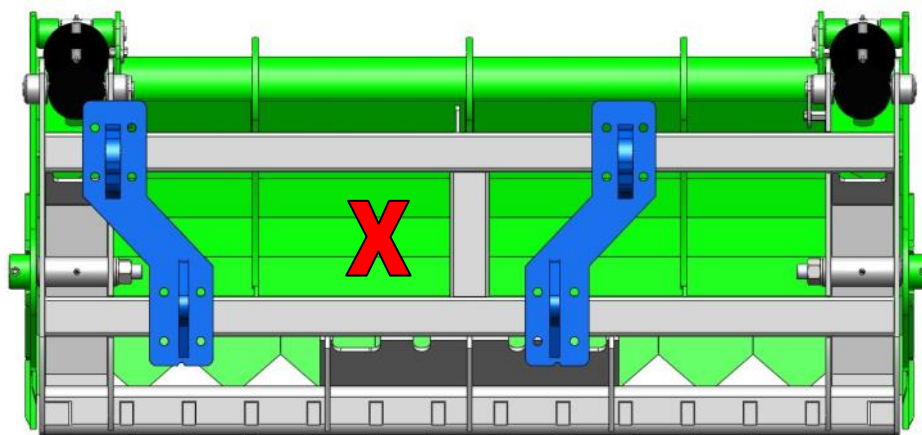
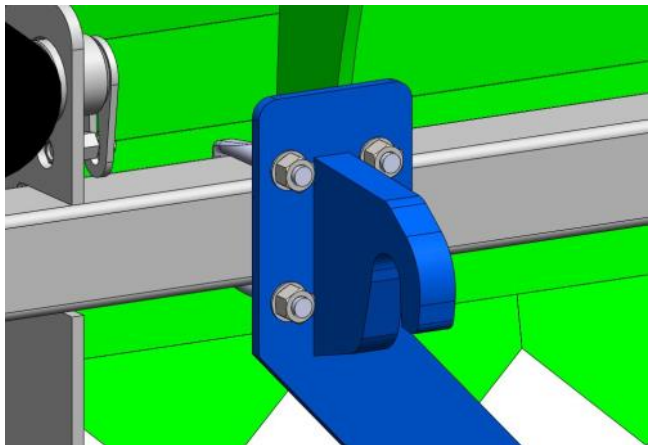
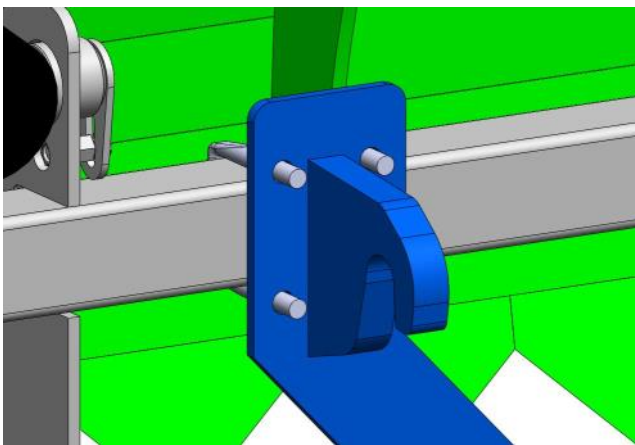
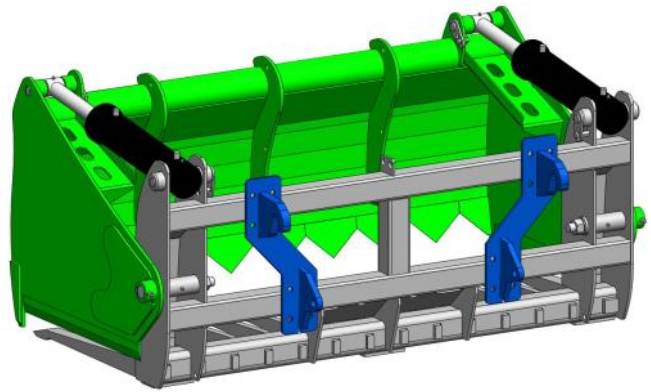
Check periodically to ensure that locking/ safety pins and bolts are in place.

Do not replace locking/ safety pins with any other items such as: nails, wire, etc

Fitting bolt on brackets

Many of our attachments come with bolt on brackets. These normally consist of two brackets and eight M16 U-bolts. This allows the attachment to be changed for use on different machines with different head stocks. To fix the brackets to the attachment, place the brackets onto the back of the attachment and ensure they are centred. The U-bolts slide over the box and through the slotted holes on the bracket. Use the washers and lock nuts supplied to fasten the brackets to the attachment. Before use after fitting bolt on brackets check the attachment is locked securely by routing in all configurations (fully crowded, fully dumped, etc.)

Periodically check bolt on hitches that the U-bolts are fastened correctly and are not showing any sign of damage. If a U-Bolt is broken or missing a nut do not use until fixed correctly as this will result on extra force being place on the remaining U-bolts.



Sharpening the Blades

Before first use of a machine with blades, it is extremely important to check that the blades are both clean and sharp. It is necessary to sharpen a new machine lightly to ensure efficient working. Blades are to be sharpened before first use and weekly thereafter.

Using a 2nd Cut Flat File, place the file on the chamfered face of the blade and draw-file the blade.

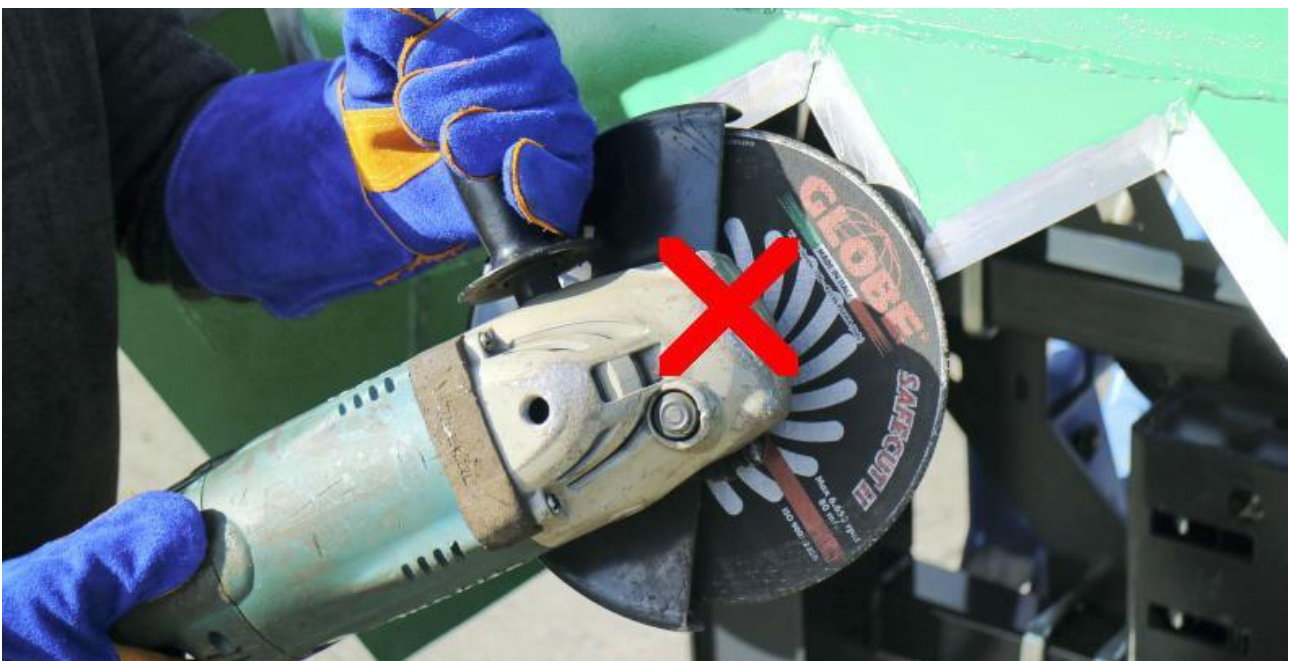
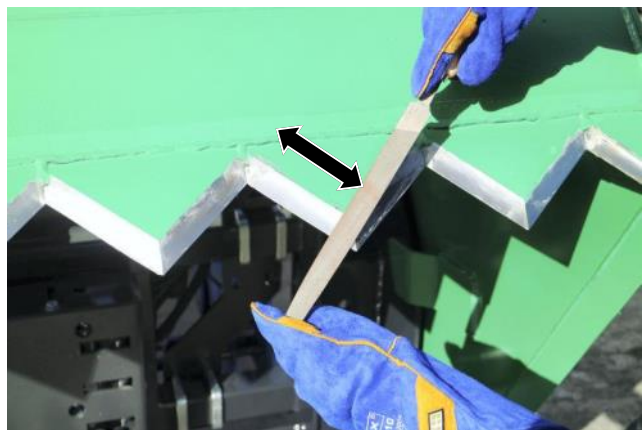
DO NOT file the flat side of the blade.

ALWAYS ensure that heavy gloves and safety glasses and suitable personal protection is worn while sharpening the blade.

An angle grinder / rotary grinder must **NEVER BE USED** to sharpen blades.

The added heat of this will DESTROY the steel temper.

Any sign of use of a angle grinder / rotary grinder on the blades will void the warranty on the entire attachment.





Warranty

ProDig warrants to its dealer, who in turn, warrants to their customer that each new product, replacement part, and accessory will be free from defects in material and workmanship for 12 months after delivery to the customer.

In the event of a fault, the dealer or ProDig are to be notified as soon as reasonably possible. On finding a fault, the product must not be used as the product may not be safe to use or could cause further damage.

This warranty does not cover damages resulting from abuse, normal wear, lack of maintenance, accident, alteration, or misuse as stated in this operator's manual. Warranty cover will cease immediately in the event of failure to observe the standards and instructions for use and maintenance of an attachment as specified in the user manual. Any modification to any part of an attachment supplied (rams, grab, tines, attachment itself, etc.) or use of a component installed on an attachment which has not originated from ProDig will void the warranty on the entire attachment. Our warranty may require equipment to be returned to the manufacturer – ProDig. The end user is responsible for all costs associated with transportation to and from the dealer or ProDig.

In the event of a warranty claim, the following information as soon as reasonably possible:

- Serial number and part number of the effected product.
- An accurate description of the fault.
- The operational situation in which the fault occurred
- Photographs that clearly illustrate the fault.

This info is to be filled in on the warranty claim form (see below link):

<http://www.prodigattachments.com/en/warranty>

This warranty claim will be assessed and whether this claim is deemed to fall under warranty. Any work being carried out on any product involving fault tracing (diagnostics), repairs, replacement parts may only be undertaken by a skilled technician under ProDig's advice or by ProDig themselves. The manufacturer will not be responsible for any damages or injuries caused by unauthorised repair, alterations or mishandling of the product. For external repairs a price must be agreed and a warranty number issued before proceeding.

A copy of our full terms and conditions of warranty is available from our sales office on request.



SHEAR GENIUS

Model: Shear Genius 1500

This machine has been specifically designed with high strength light weight material for use on tractors and with the small farm in mind. Suitable for a large tractors or loaders.

Model: Shear Genius 1800

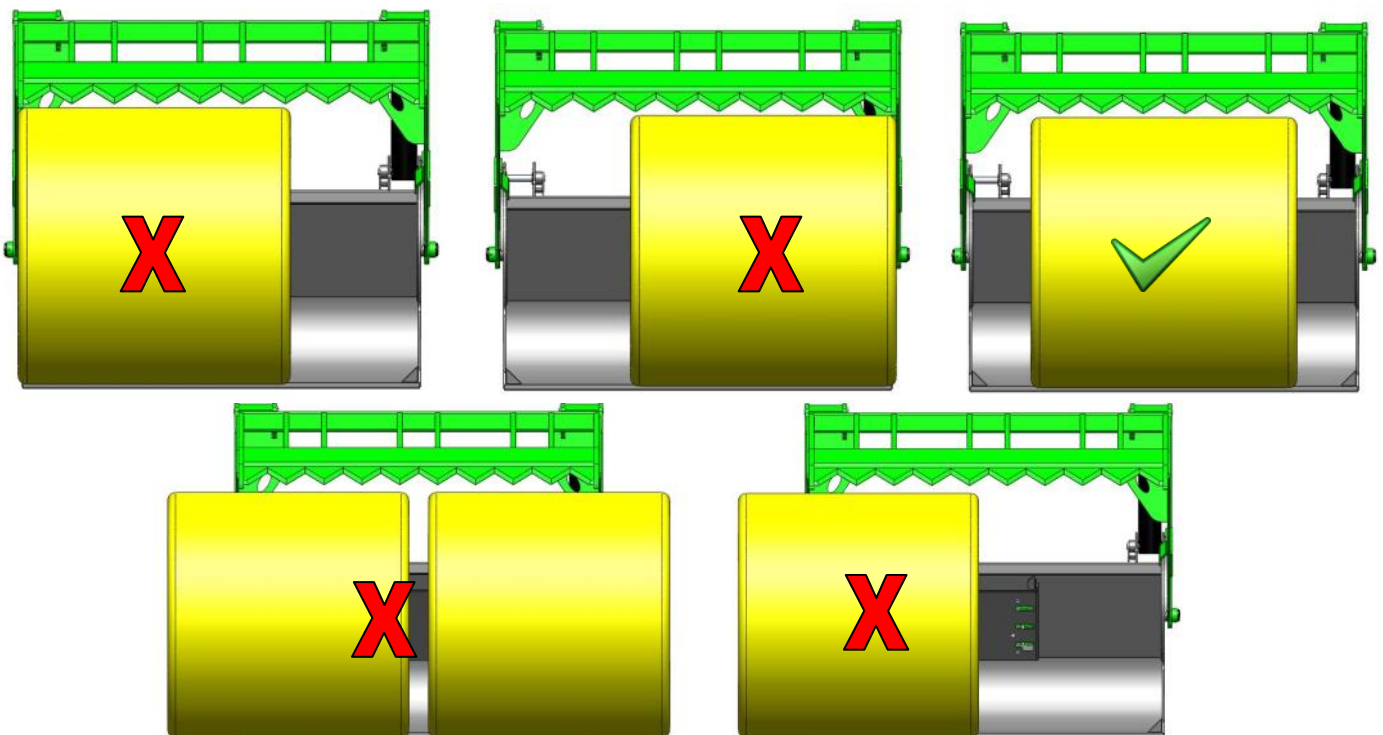
This machine has been specifically designed with the mid to large size farm in mind with high feed requirements. Suitable for Telehandlers or loaders.

Model: Shear Genius 2200

This larger machine has been specifically designed with the mid to large size farm in mind with high feed requirements. Suitable for Telehandlers or loaders.

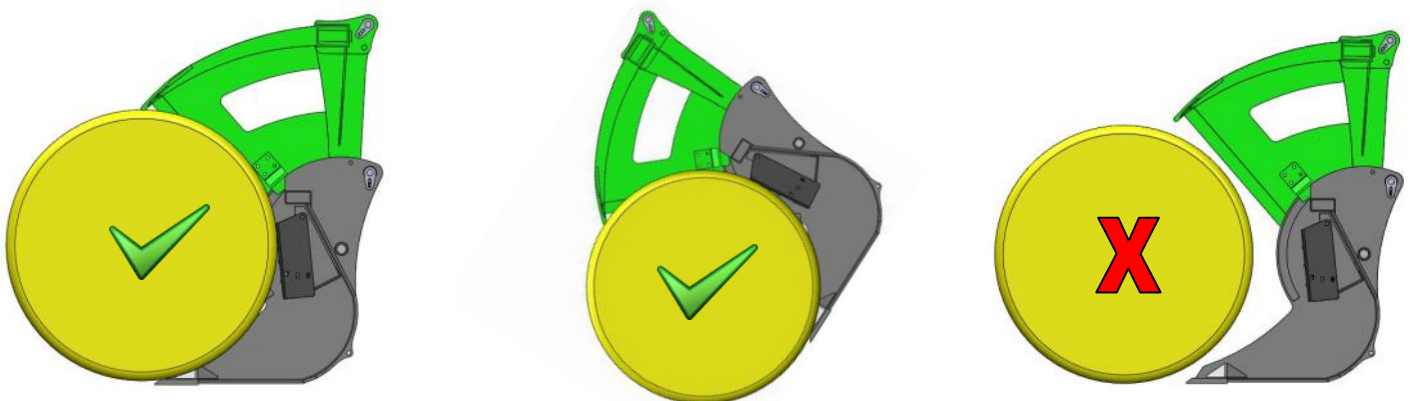
Use with Straw and Silage Round Bales

For use with straw and wrapped silage bales, ensure the bale is in the centre of the grab to spread the pressure evenly across the grab and two rams. This also is the best position to ensure best use of the plastic grip.



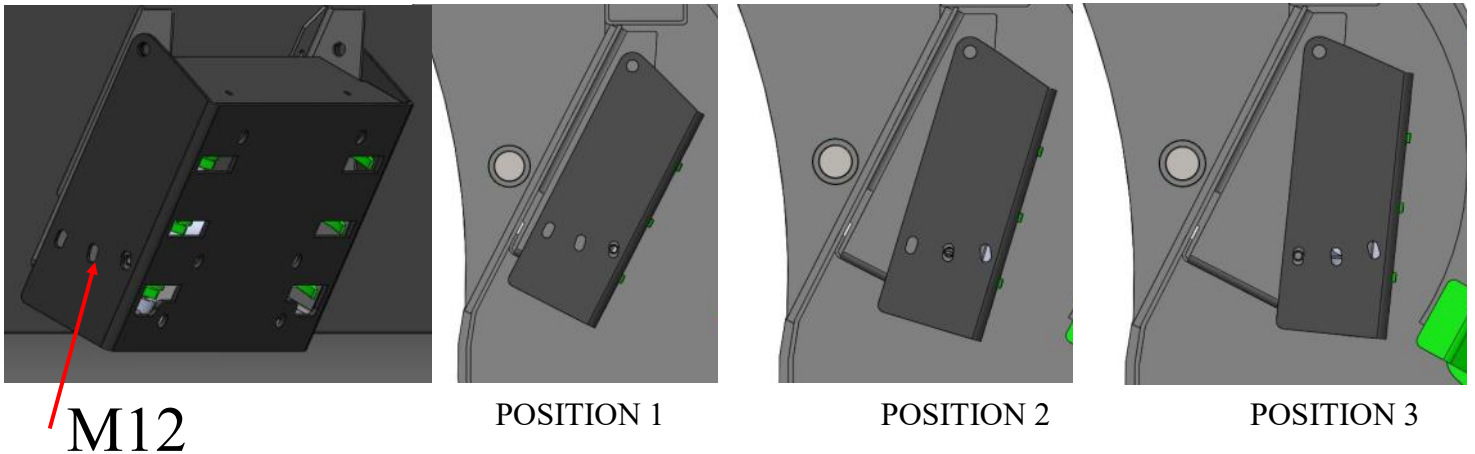
Operating Instructions

When picking up a bale you can approach it horizontally or crown over the bale to pin the bale to the ground while grabbing the plastic. When picking up a bale ensure that the bale is pressed up against the plastic grip cover for best results. This also locates the bale so that the grab cuts the bale in half. As the pressure comes on the grab when in contact with the bale the hooks will close and grip the plastic and netting. Only move a bale when it is securely held by the grab. Allow sufficient time for the grab to cut through the bale and for the front half of the bale to fall away. When emptying the second half of the bale, open the grab so it is almost fully opened and allow the bale to fall out. The plastic grip will hold on to the wrapping and netting to be discarded separately. To release the wrapping and netting from the plastic grip, open the grab fully. When the rams are fully closed and pressure applied again the sequence valve will activate and open the hooks to release the wrapping and netting. The pressure may need to be held on for a short period.



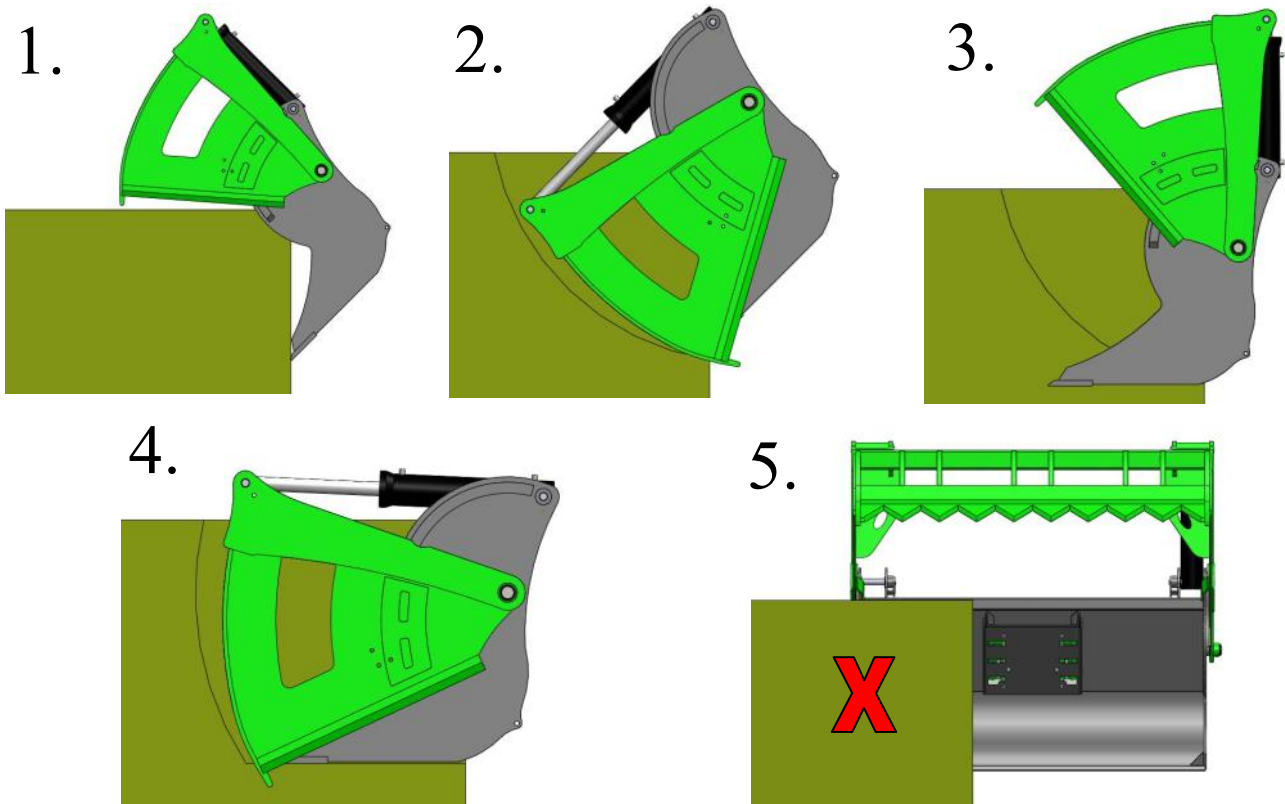
Operating Instructions

The shear genius is fitted with a sequence valves. The sequence valves are pre-set to 200 bar. If being used on machines with different pressure the sequence valve may need to be reset (See page 8). The plastic grip cover can be adjusted and rotated forward and back. This is to suit different size bales and can be adjusted to suit oddly shaped bales as well. To adjust the cover loosen the M12 bolt both sides of the cover. This allows the cover to be rotated forward and back. There are three different settings and when set to your requirements replace and tighten the bolts.



Use on silage pit

When using the Shear Genius on a silage pit approach the pit with the grab opened and the floor of the bucket roughly 45 degrees to the face of the pit (figure 1). Do not take a bigger bite from the pit than the height of the Shear Genius. Close the shear genius until the hydraulic rams have travelled fully (figure 2). Re-adjust and approach the pit straight on the take a second bite to fill the Shear Genius (figure 3 & 4). Never take a bite with only one side of the grab. Try to take a even load to spread the pressure evenly across grab (figure 5). Do not lift a load that is taller than the height of a fully closed grab.



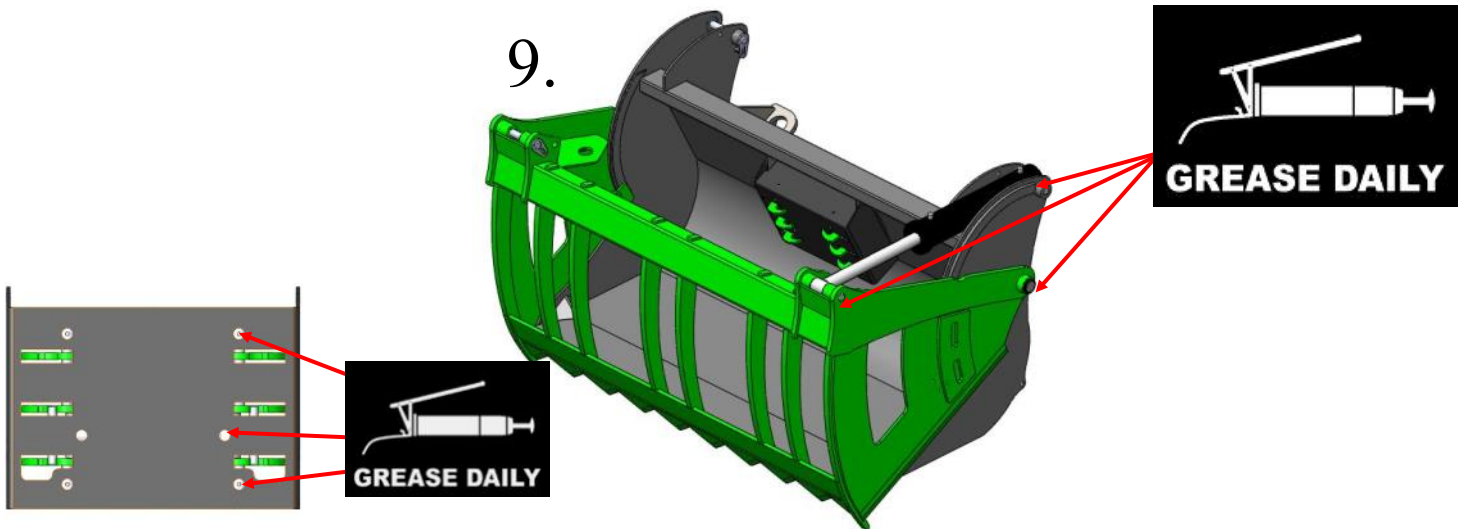
Storage

Place the Shear Genius on a level surface. Disconnect the Shear Genius from the machine after turning off the engine and applying the brake. Clean the machine thoroughly and remove any excess material that may be lodged in any pivot points. Cover the grab with a waterproof cover or store indoors. Apply grease to blade surfaces and **hydraulic cylinder chrome rod** (figure 7) when laid up for a period of time along with all grease points. To gain access to the ram on plastic gripper for greasing remove the M12 bolts and rotate the cover (figure 8).



Maintenance

The diagram below shows the machine's grease points that should be greased daily. These include the two main pivot points and also both ends of all hydraulic rams and plastic gripper pivot points. Check all hydraulic items for signs of wear and leakage. Keep blades very sharp (see page 8). Although the blades are of high quality steel, they must have regular attention. They may require a few minutes of gentle fine filing just to maintain the edges. Any nicks and burrs must be filed away. In the event of a serious irreparable damage to the Shear Genius knives, replacement blades may be fitted by cutting the blades away from the frame and welding new blades into position. Contact ProDig for pins, wear tips, etc..



MEGA BITE

Model: Mega Bite 1500

This machine has been specifically designed with high strength light weight material for use on tractors and with the small farm in mind. Suitable for a large tractors or loaders.

Model: Mega Bite 1800

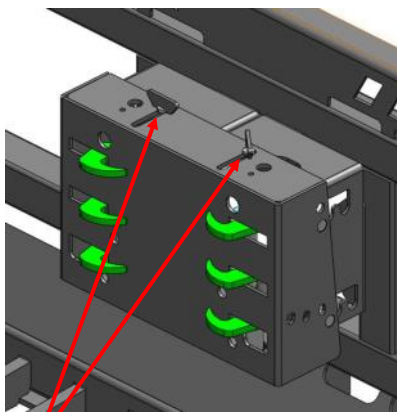
This machine has been specifically designed with the mid to large size farm in mind with high feed requirements. Suitable for telescopic handler or loader.

Model: Mega Bite 2200 & Mega Bite 2500

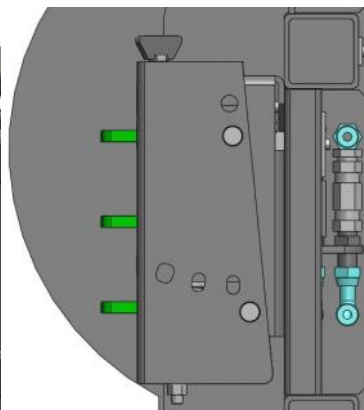
This larger machine has been specifically designed with the mid to large size farm in mind with high feed requirements. Suitable for large telescopic handler or loader.

Operating Instructions

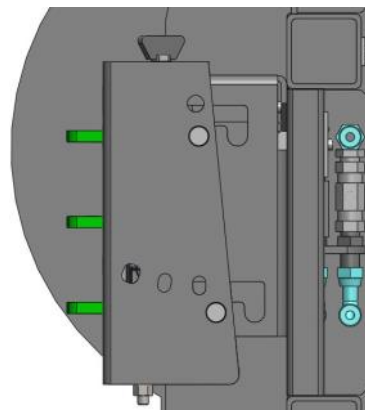
The mega bite is fitted with a sequence valves. The sequence valves are pre-set to 200 bar. If being used on machines with different pressure the sequence valve may need to be reset (See page 5). The plastic grip cover can be adjusted forward and back. This is to suit different size bales and can be adjusted to suit oddly shaped bales as well. To adjust the cover loosen the two M12 bolts on top of the cover This allows the cover to be lifted and brought forward and back. There are three different settings and when set to your requirements replace and tighten the bolts. When being use on a pit place box in position 1.



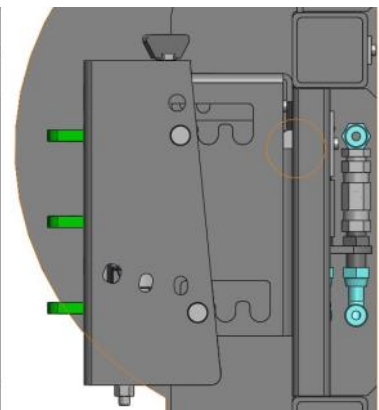
M12 BOLTS



POSITION 1



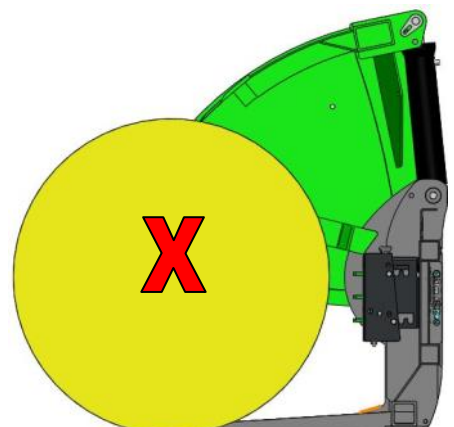
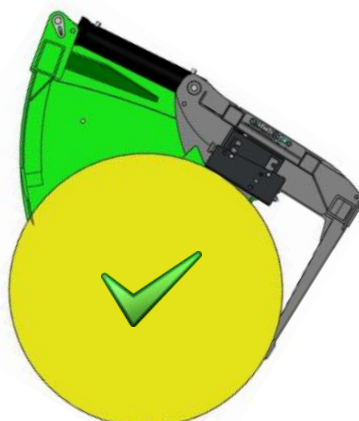
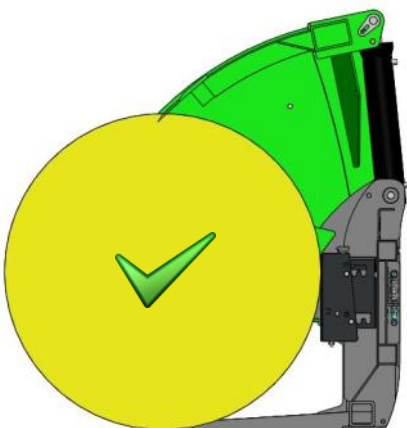
POSITION 2



POSITION 3

When picking up a bale you can approach it horizontally or crown over the bale to pin the bale to the ground while grabbing the plastic. When picking up a bale ensure that the bale is pressed up against the plastic grip cover for best results. This also locates the bale so that the grab cuts the bale in half. As the pressure comes on the grab when in contact with the bale the hooks will close and grip the plastic and netting. Only move a bale when it is securely held by the grab. Allow sufficient time for the grab to cut through the bale and for the front half of the bale to fall way. When emptying the second half of the bale, open the grab so it is almost fully opened and allow the bale to fall out. The plastic grip will hold on to the wrapping and netting to be discarded separately. To release the wrapping and netting from the plastic grip, open the grab fully. When the rams are fully closed and pressure applied again the sequence valve will activate and open the hooks the release the wrapping and netting. The pressure may need to be held on for a short period.

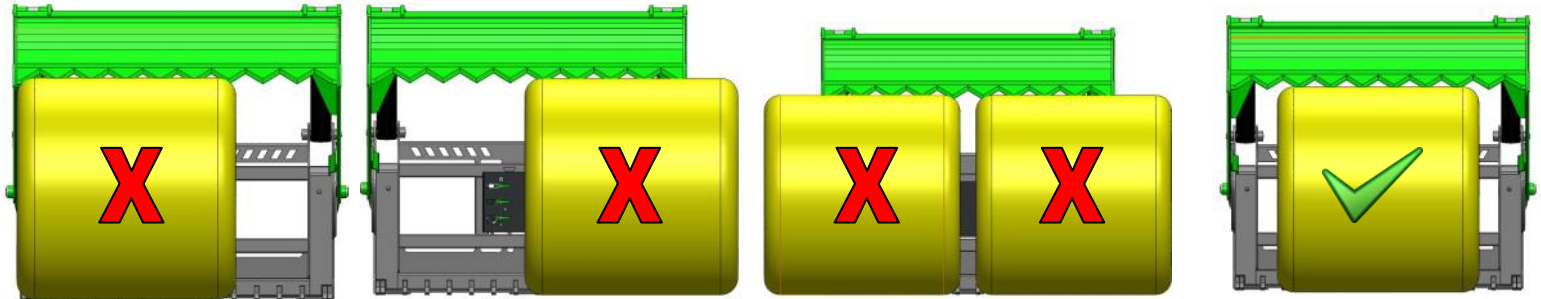
See shear grad section (page 14) for using Mega Bite on a pit.



Operating Instructions

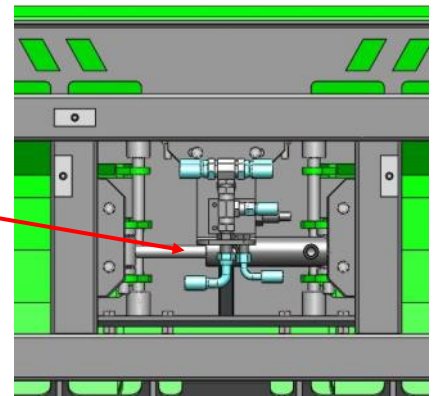
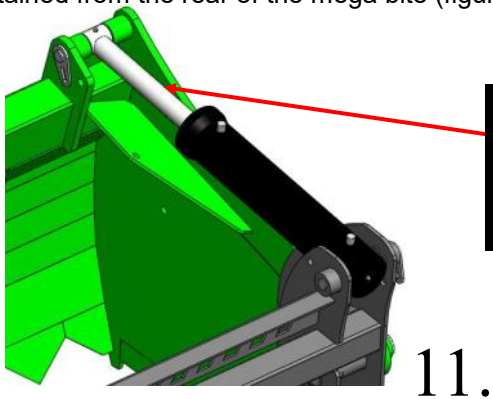
Use with Straw and Silage Round Bales

For use with straw and wrapped silage bales ensure the bale is in the centre of the grab to spread the pressure evenly across the grab and two rams. This also is the best position to ensure best use of the plastic gripper.



Storage

Place the Mega Bite on a level surface. Disconnect the Mega Bite from the machine after turning off the engine and applying the brake. Clean the machine thoroughly and remove any excess material that may be lodged in any pivot points. Cover the grab with a waterproof cover or store inside. Apply grease to blade surfaces and **hydraulic cylinder chrome rod** (figure 11) when laid up for a period of time along with all grease points. Access to the ram on plastic gripper for greasing can be obtained from the rear of the mega bite (figure 12).

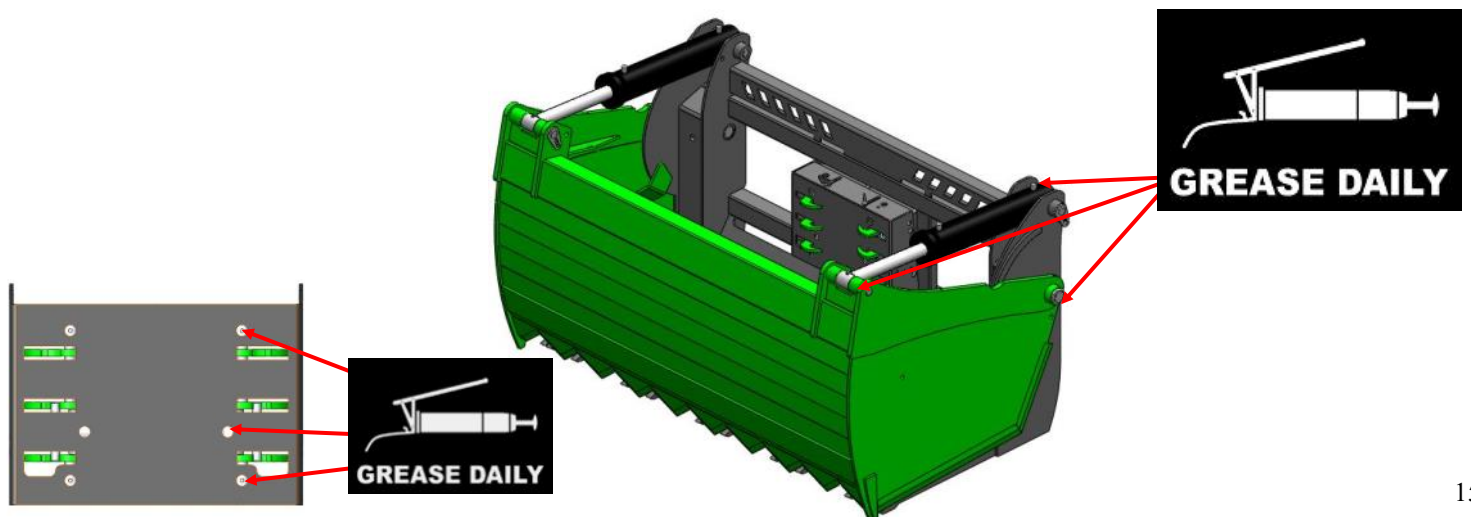


11.

12

Maintenance

The diagram below shows the machine's grease points that should be greased daily. These include the two main pivot points and also both ends of all hydraulic rams and plastic gripper pivot points. Check all hydraulic items for signs of wear and leakage. Keep blades very sharp (see page 8). Although the blades are of high quality steel, they must have regular attention. They may require a few minutes of gentle fine filing just to maintain the edges. Any nicks and burrs must be filed away. In the event of a serious irreparable damage to the Mega Bite knives, replacement blades may be fitted by cutting the blades away from the frame and welding new blades into position. Over time the tines will wear back, once the wear tip is worn it is recommended that these are replaced with weld on wear tips. Contact ProDig for pins, wear tips, etc..



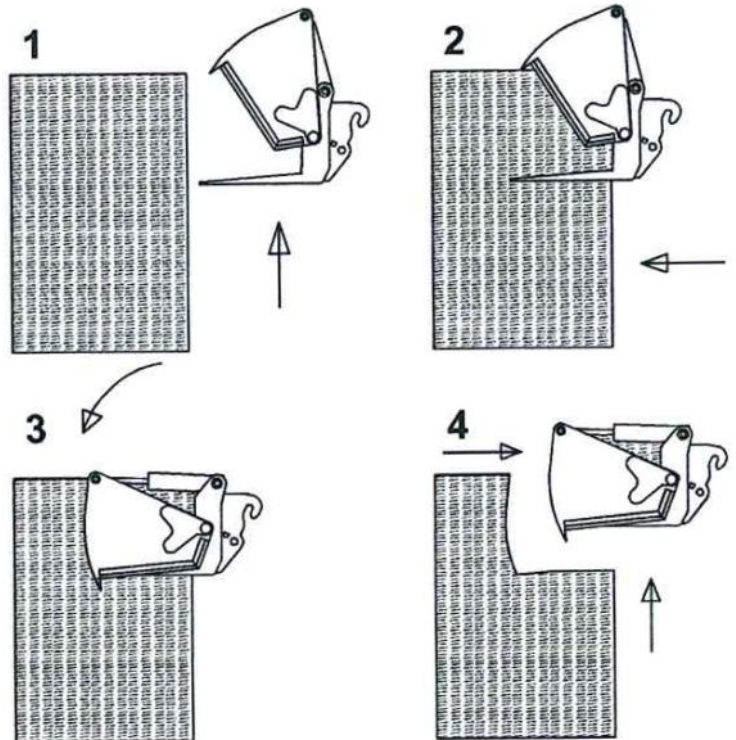
Operating Instructions

Before using the machine, it is extremely important to check that the blades are both clean and sharp. It is necessary to sharpen a new machine lightly to ensure efficient working. The operator should start at one side of the clamp and cut in one direction across the face, this will ensure a clean pit face and avoid secondary fermentation. The Shear Grab should be opened and the tines levelled before being driven hard into the pit face. As the Shear Grab hydraulics are operated, the rams will extend and the blades will cut down through the silage. Care must be taken to hold the tines level and still, if necessary powering down the arms to distribute the tractors weight will help hold the tines firm. When the Shear Grab is fully closed, it should be both lifted and crowned back to ensure a clean pit face.

General Operating

1. Raise the grab until the top of the back of the grab is inline with the top edge of the silage. Do not a lift load that is taller than the height of a fully closed grab.
2. Drive the grab into the face of the silage until the tines are fully inserted.
3. Close the grab until the hydraulic rams have travelled fully. Open the cutter again by approximately 150mm (6 Inches) before removing the block. This is to prevent the over bite from catching silage when being removed.
4. Move the grab away from the silage face to remove the block.

Before fitting the Shear Grab ensure that the tractor is suitably sized and is fitted with counterbalance weights. Always ensure that the silage is cut so that each block is centrally placed in the grab. Return the Shear Grab to the closed position when not in use. If feeding to livestock, ensure that the Shear Grab tines and blades are never allowed to come into contact with the livestock. If the Shear Grab is used to fill a feeder or other implement be careful to avoid contact between Shear Grab tines and metal surfaces or rotating paddles.

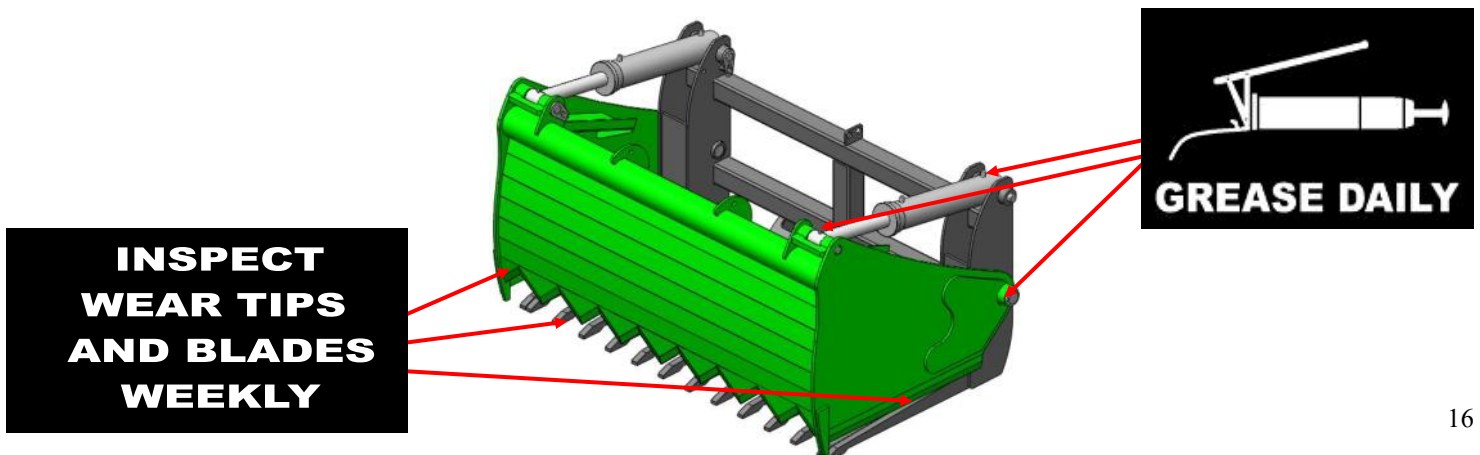


Storage

Place the Shear Grab on a level surface. Disconnect the grab from the tractor after turning off the engine and applying the brake. Clean the machine thoroughly and remove any excess material that may be lodged in any pivot points. Apply grease to the proportion of the ram that is showing. Cover the grab with a waterproof cover or store indoors.

Maintenance

The diagram below shows the machines grease points that should be greased daily. These include the two main pivot points and also both ends of all hydraulic rams. Check all hydraulic items for signs of wear and leakage. Keep blades very sharp (see page 8). Although the blades are of high quality steel, they must have regular attention. They may require a few minutes of gentle fine filing just to maintain the edges. Any nicks and burrs must be filed away. In the event of a serious irreparable damage to the Shear Grab knives, replacement blades may be fitted by cutting the blades away from the frame and welding new blades into position. Over time the tines will wear back, once the wear tip is worn it is recommended that these are replaced with weld on wear tips. Contact ProDig for replacement pins, blades, wear tips, etc..



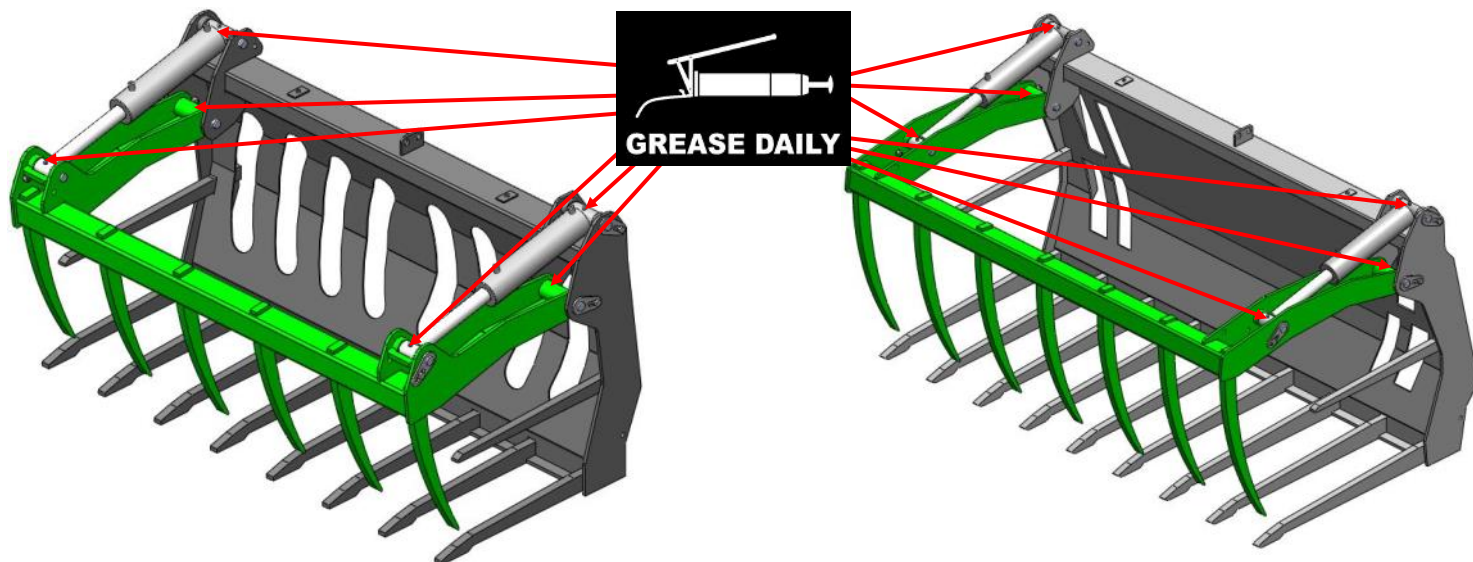
Tractor Tine Grab

This machine has been specifically designed for us with a small tractor to large tractor.

Telehandler Tine Grab

This machine has been specifically designed for us with a telehandler.

Tine grabs are ideal for efficient handling loose agricultural material such as silage, maize, straw, manure, bales etc. they are not to be used as a lifting device, access platform, moving logs or solid material etc. Not suitable for wagon silage which is not chopped. Do not lift any load that is taller than the height of a fully closed grab.



TRACTOR TINE GRAB

TELEHANDLER TINE GRAB

General Operating

Before fitting the Tine Grab ensure that the tractor/ telehandler is suitably sized and is fitted with counterbalance weights if required. Approach the silage/manure pit with the grab fully open. Grab the load and keep the grab closed when transporting. If feeding livestock, ensure that the Tine Grab tines are never allowed to come into contact with the livestock. If the Tine Grab is used to fill a feeder or other implement be careful to avoid contact between tines and metal surfaces or rotating paddles. To eject the load, fully open the grab and tilt forward. Return the Tine Grab to the closed position when not in use.

Storage

Place the Tine Grab on a level surface. Disconnect the grab from the tractor after turning off the engine and applying the brake. Clean the machine thoroughly and remove any excess material that may be lodged in any pivot points. Apply grease to the proportion of the ram that is showing. Cover the grab with a waterproof cover or store indoors.

Maintenance

The diagram above shows the machines grease points that should be greased daily. These include the two main pivot points and also both ends of all hydraulic rams. Check all hydraulic items for signs of wear and leakage. In the event of a serious irreparable damage to the Tine Grab tines, replacement tines may be fitted by cutting the damaged tines away from the frame and welding new tines into position. Over time the tines will wear back, once the wear tip is worn it is recommended that these are replaced with weld on wear tips. Contact ProDig for pins, wear tips, etc..



TRACTOR GRAPPLE BUCKET & TELEHANDLER GRAPPLE BUCKET

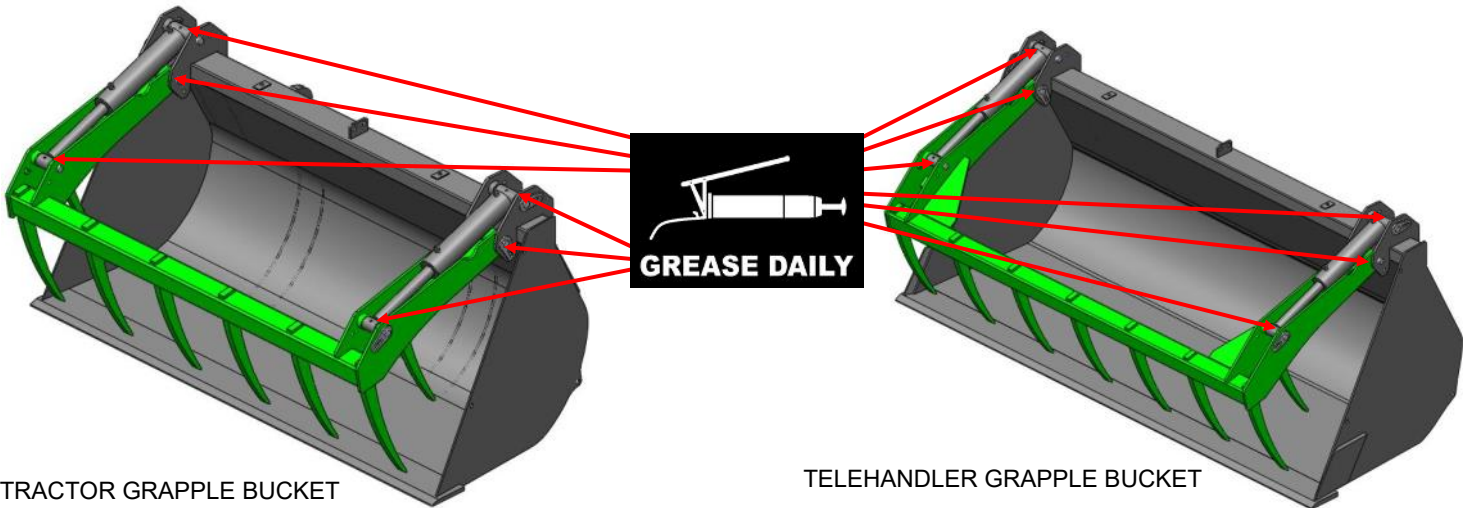
Tractor Grapple Bucket

This machine has been specifically designed for us with a small tractor to large tractor.

Telehandler Grapple Bucket

This machine has been specifically designed for us with a telehandler and industrial loaders.

Grapple buckets are ideal for efficient handling loose agricultural material such as straw, manure, bales etc. They are not to be used as a lifting device, access platform, moving logs or solid material etc. not suitable for removing silage from a pit. Do not lift any load that is taller than the height of a fully closed grab. Do not lift any load that is taller than the height of a fully closed grab.



TRACTOR GRAPPLE BUCKET

TELEHANDLER GRAPPLE BUCKET

General Operating

Before fitting the grapple bucket ensure that the machine is suitably sized and is fitted with counterbalance weights if required. Approach the loose material with the grab fully open. Grab the load and keep the grab closed when transporting. If feeding livestock, ensure that the tines are never allowed to come into contact with the livestock. If the Grapple Bucket is used to fill a feeder or other implement be careful to avoid contact between tines and metal surfaces or rotating paddles. To eject the load, fully open the grab and tilt forward. Return the grapple to the closed position when not in use.

Storage

Place the Grapple Bucket on a level surface. Disconnect the grab from the tractor after turning off the engine and applying the brake. Clean the machine thoroughly and remove any excess material that may be lodged in any pivot points. Apply grease to the proportion of the ram that is showing and all grease points. Cover the grab with a waterproof cover or store indoors.

Maintenance

The diagram above shows the machines grease points that should be greased daily. These include the two main pivot points and also both ends of all hydraulic rams. Check all hydraulic items for signs of wear and leakage. In the event of a serious irreparable damage to the grapple tines, replacement tines may be fitted by cutting the damaged tines away from the frame and welding new tines into position. Contact ProDig for pins, wear tips, etc..

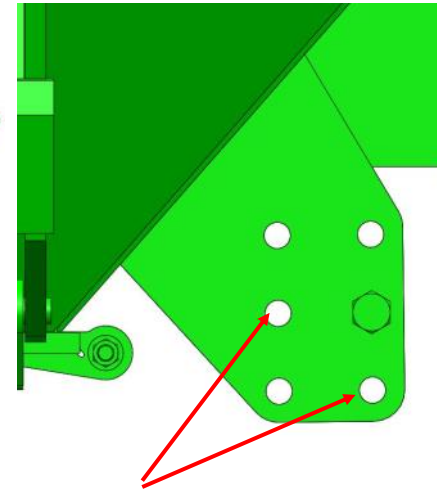
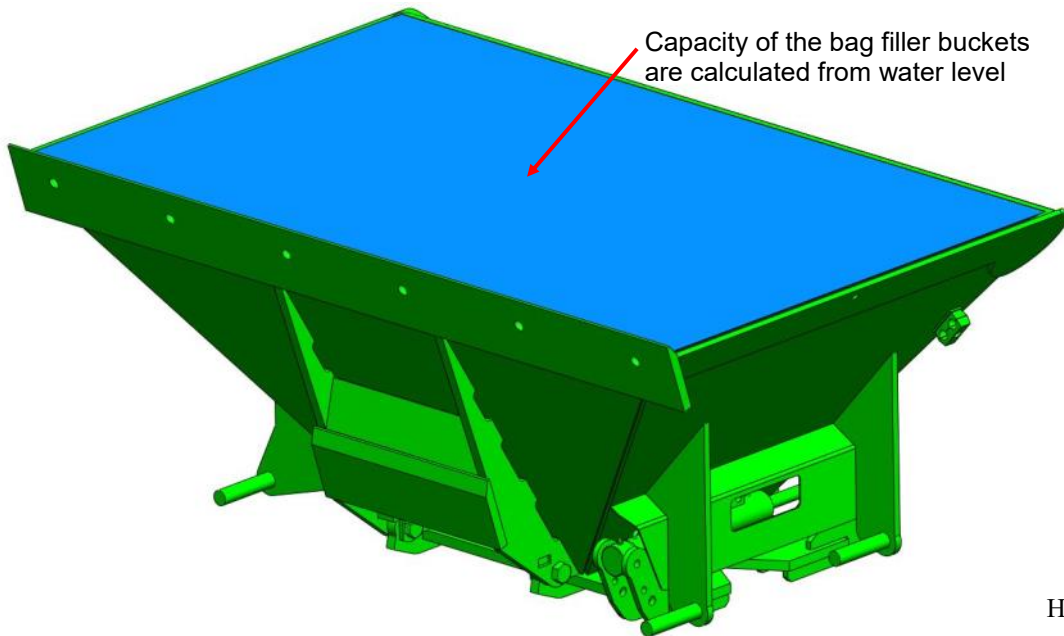
Bag Filler Bucket

This machine has been specifically designed for use with a large tractor, telehandler and industrial loaders for filling bulk bags.

General Operating

Before fitting the bag filler bucket ensure that the tractor or telehandler is suitably sized and is fitted with counterbalance weights if required. Check the machine max lifting rate and allow for the load to be added to total weight. Before using the machine, ensure that the brackets and all hydraulics are fitted correctly. Approach the loose material with the bottom doors closed and fill the bucket (1&2). A bulk bag can now be hung on the hangers(3&4). Open the doors to fill the bag and close when bag is full(5). The bag can be transported using the bag filler bucket. To drop the full bag, place the bag on the ground so no weight is on the hangers and reverse(6).





Capacity of bag filler

Capacity of the bag filler buckets are calculated from water level. This means level with the top of the bucket. The hangers can be lowered or raised to suit the type of bulk bag being used.

Safety

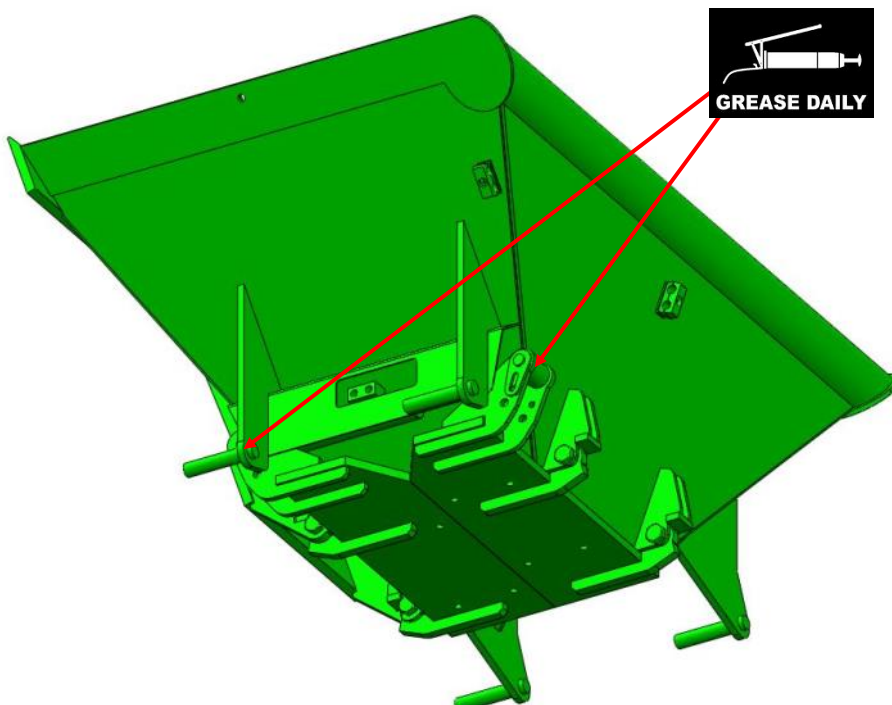
Do not stand directly under the bag filler bucket at anytime. Single person operation only. Never place arms or hands between doors. Not to be used as a lifting devise or for lifting objects other that bulk bags. Do not crown back the bag filler bucket so far that the contents can fall towards the operator.

Storage

Place the Bag filler bucket on a level surface. Disconnect the bucket from the tractor/ loader after turning off the engine and applying the brake. Clean the machine thoroughly. Apply grease to the proportion of the ram that is showing and all grease points. Cover the bag filler with a waterproof cover or store indoors.

Maintenance

The diagram below shows the machines grease points that should be greased daily. These include both ends of all hydraulic rams. Check all hydraulic items for signs of wear and leakage. Inspect front and bottom heel wear plates regularly. These may need replacing if worn.

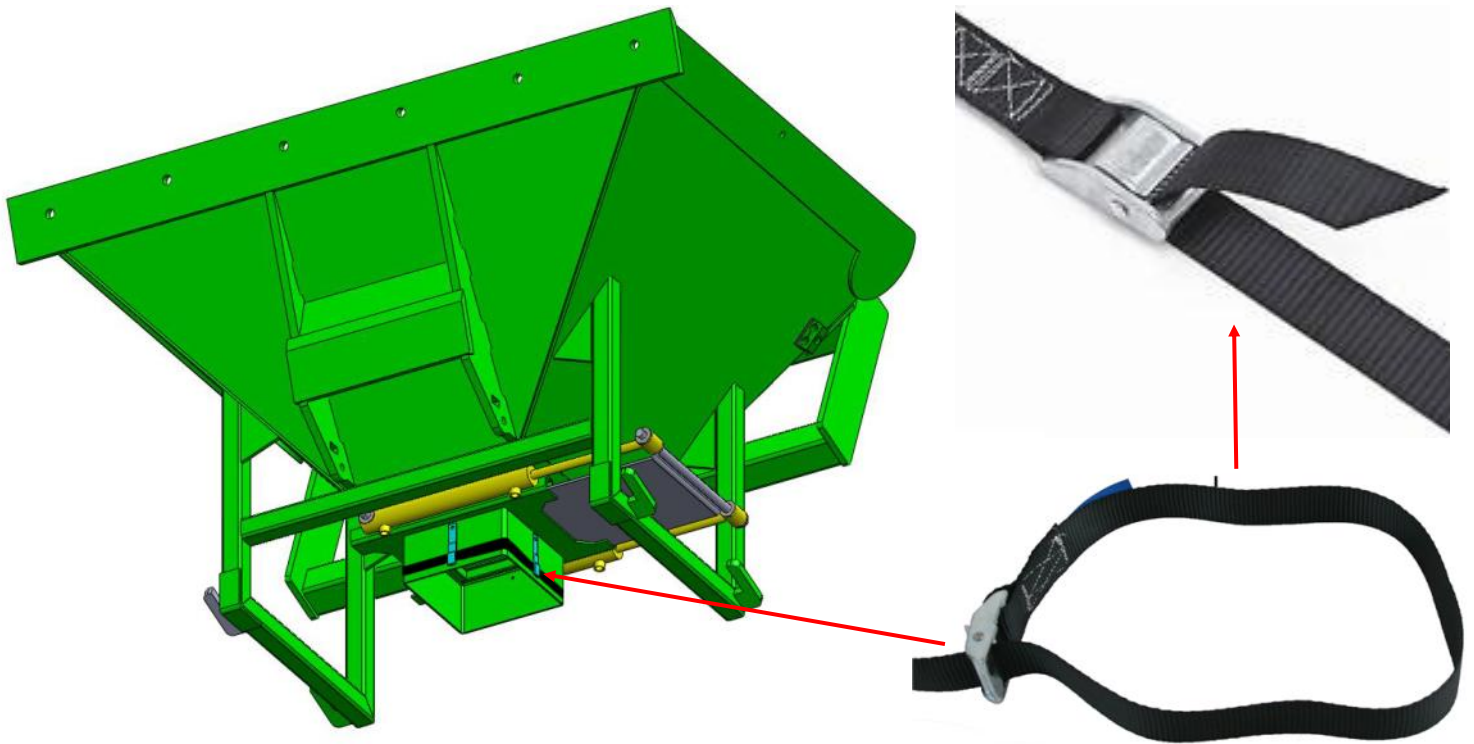


Round Neck Bag Filler Bucket

This machine has been specifically designed to fill round neck bulk bags for low dust environments. This machine is for use with a large tractor, telehandler and industrial loaders.

General Operating

Before fitting the bag filler bucket ensure that the tractor or telehandler is suitably sized and is fitted with counterbalance weights if required. Check the machine max lifting rate and allow for the load to be added to total weight. Before using the machine, ensure that the brackets and all hydraulics are fitted correctly. Approach the loose material with the bottom doors closed and fill the bucket. A bulk bag can now be hung on the hangers. The round neck of the bag can be then pulled up over the bottom opening and held in place with the quick release strap. Open the door to fill the bag and close when bag is full. The bag can be transported using the bag filler bucket. The quick release strap holding the neck of the bag has to be opened before the bag is dropped off. To drop the full bag, place the bag on the ground so no weight is on the hangers and reverse.



Capacity of bag filler

Capacity of the bag filler buckets are calculated from water level. This means level with the top of the bucket.

Safety

Do not stand directly under the bag filler bucket at anytime. Single person operation only. Never place arms or hands between door. Not to be used as a lifting device or for lifting objects other than bulk bags. Do not crown back the bag filler bucket so far that the contents can fall towards the operator.

Storage

Place the Bag filler bucket on a level surface. Disconnect the bucket from the tractor/ loader after turning off the engine and applying the brake. Clean the machine thoroughly. Apply grease to the proportion of the ram that is showing. Cover the bag filler with a waterproof cover or store indoors.

Maintenance

Check all hydraulic items for signs of wear and leakage. Inspect front and bottom heel wear plates regularly. These may need replacing if worn.



FORKLIFT BAG FILLER BUCKET

Forklift Bag Filler Bucket

This attachment has been specifically designed to allow users to utilize their fork lift fill and load bulk bags with loose material only such as grain, woodchips, compost, etc.

General Operating

Before fitting the forklift tipping bucket ensure that the forklift is suitably sized and is fitted with counterbalance weights if required. Check the machine max lifting rate and allow for the load to be added to total weight. Before using the machine, ensure that the brackets and all hydraulics are fitted correctly.

Method of use

Step 1: set the fork on the forklift the correct width to fit into the fork sleeves on the attachments.

Step 2: Lock the attachment to the forklift using the locking pin or chain.

Step 3: Attach the hydraulic services to the forklift.

Step 4: Tip the bucket forward so that it is level with the ground.

Step 5: Approach and drive into the loose material. When the bucket is full rotate the bucket back to fill the bucket.

Step 6: Raise the forks so there is enough room under the attachment to fit a bulk bag.

Step 7: Attach the bulk bag to the hanging points.

Step 8: If fitted with a manual or solenoid diverter valve, switch it to divert the oil flow to the door ram.

Step 9: Open the door/doors to allow the material to flow into the bulk bag.

Step 10: Close the door/doors when bulk bag is full.

Step 11: Transport the bulk bag to the place of use while hanging from the attachment.

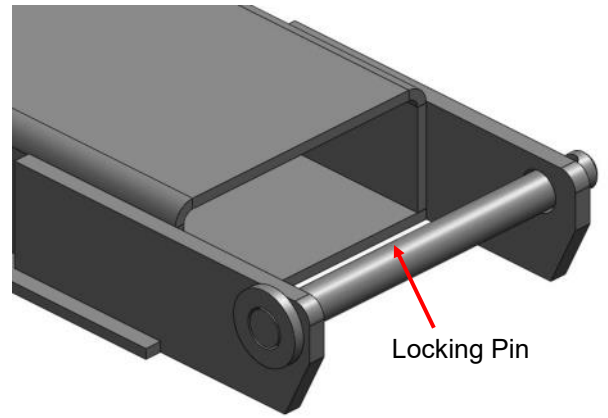
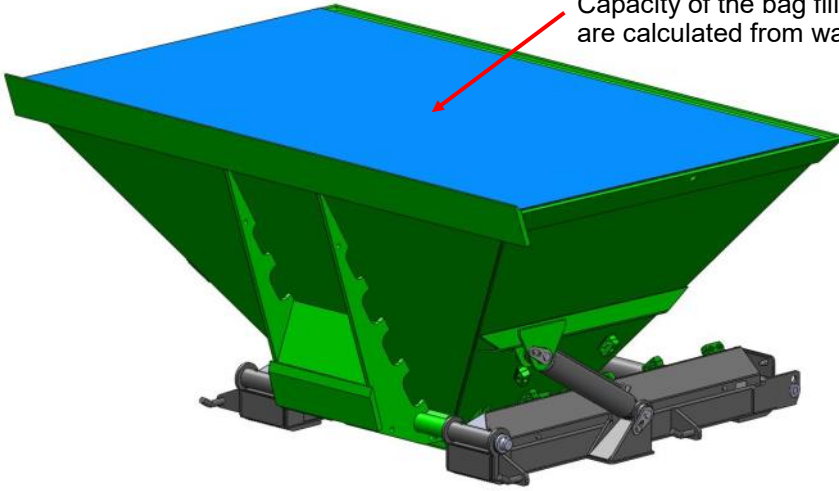
Step 12: To offload, Lower the bulk bag until there is no weight in the hanging straps and reverse away from the bulk bag.





FORKLIFT BAG FILLER BUCKET

Capacity of the bag filler buckets are calculated from water level



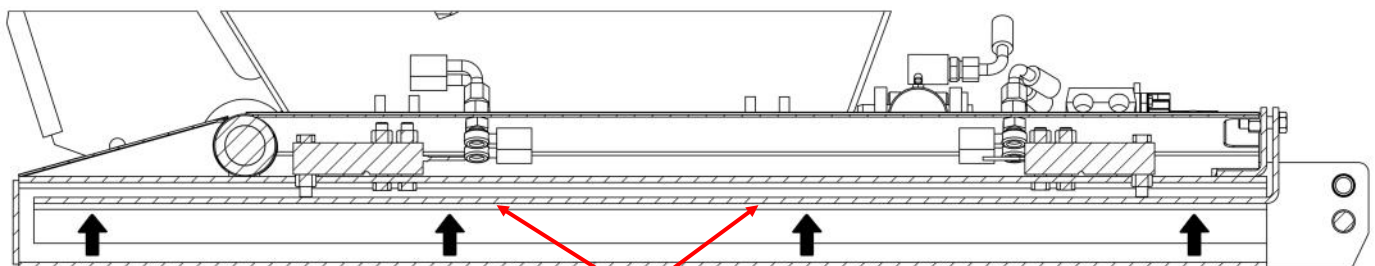
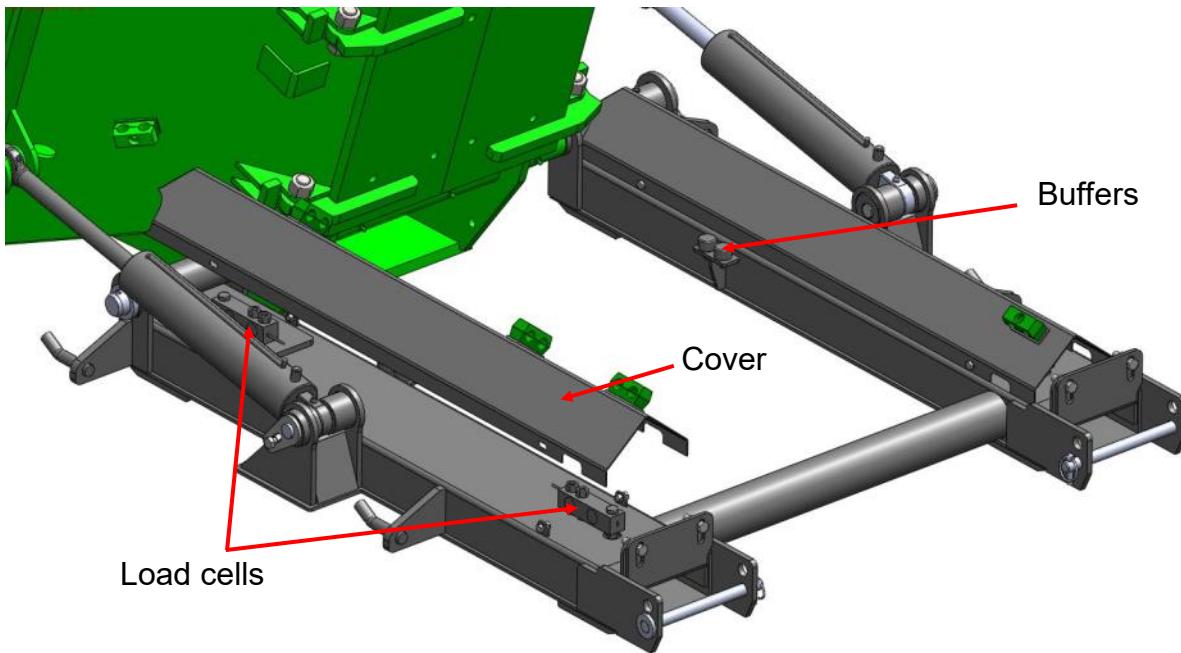
Locking Pin

Capacity of bag filler

Capacity of the bag filler buckets are calculated from water level. This means level with the top of the bucket.

Load Cells

The fork lift bag fill can be fitted with load cells to measure the contents of the bucket. The load cells are fitted on top of the fork sleeve channels and are cover to protect them. In the even these need to be replaced the cover can be removed which gives you access to the load cell. The load cell are bolted down to the top of the fork sleeve channels buy two M12 bolts. Remove these M12 bolts to release the load cell. To spread the weight of the pallet fork there is a inner channel that is allowed to float up and down inside the fork channel. This inner channel must be free to move up and down. The weight indicator can be mounted on the attachment or in the cab depending which option is chosen.



Inner Sleeve



FORKLIFT BAG FILLER BUCKET

Safety

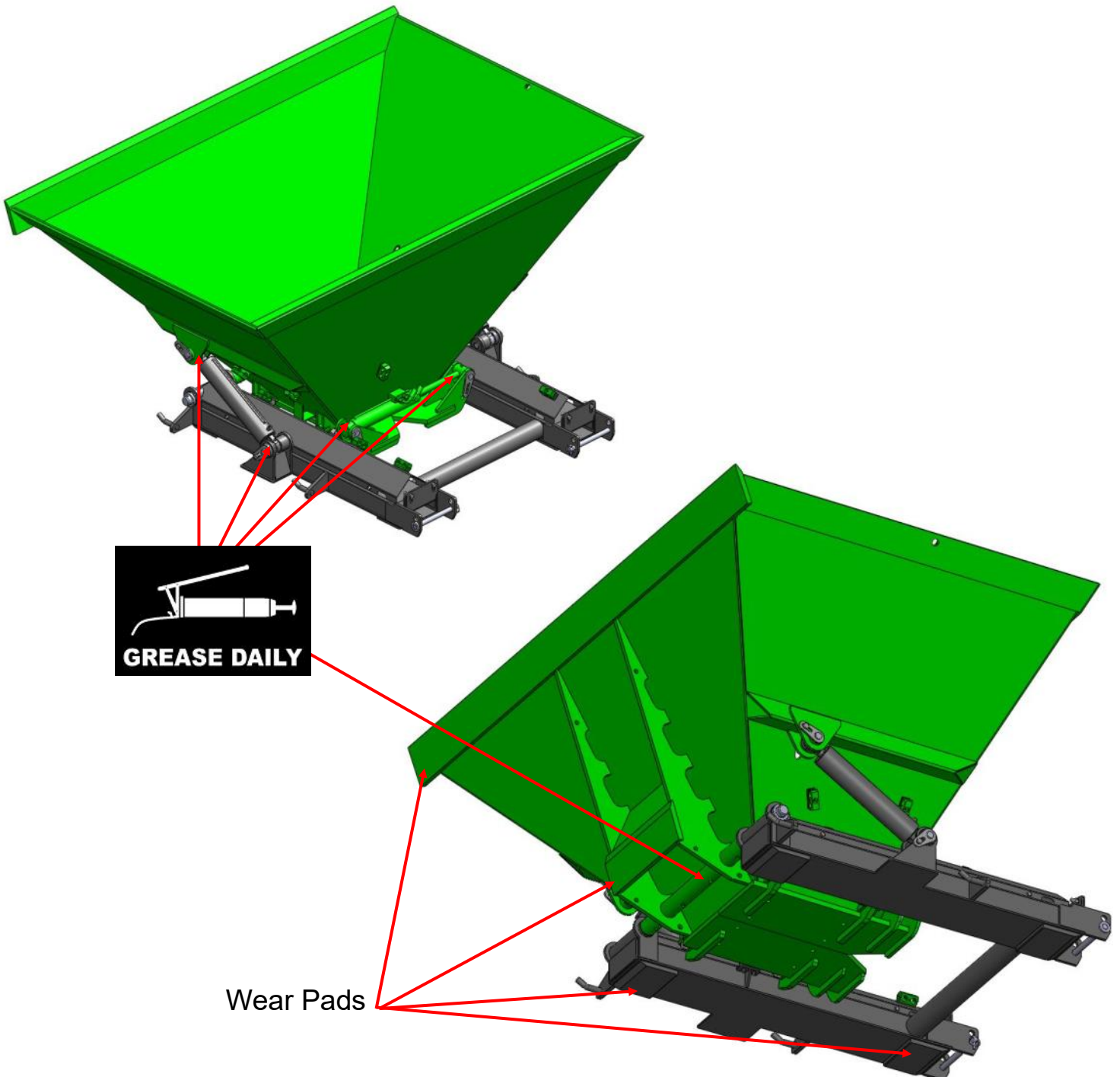
Do not stand directly under the bag filler bucket at anytime. Single person operation only. Never place arms or hands between doors or between the bucket and carriage. Not to be used as a lifting devise or for lifting objects other that bulk bags. Do not crown back the bag filler bucket so far that the contents can fall towards the operator. Never use the forklift without the locking pins in place

Storage

Place the Bag filler bucket on a level surface. Disconnect the bucket from the tractor/ loader after turning off the engine and applying the brake. Clean the machine thoroughly. Apply grease to the proportion of the ram that is showing and all grease points. Cover the bag filler with a waterproof cover or store indoors.

Maintenance

The diagram below shows the machines grease points that should be greased daily. These include both ends of all hydraulic rams. Check all hydraulic items for signs of wear and leakage. Inspect front and bottom heel wear plates regularly. These may need replacing if worn. Contact ProDig for replacement buffer pads, pins, wear pads, etc..

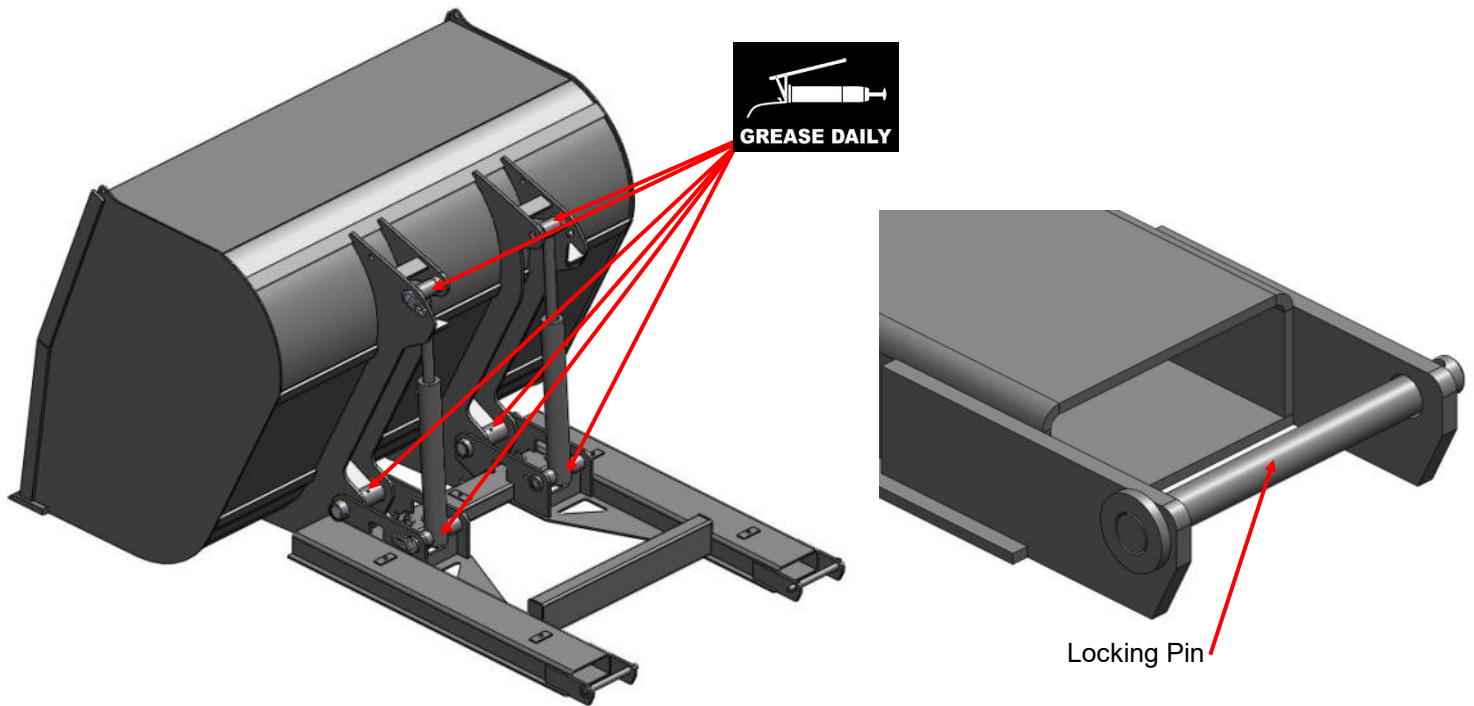




FORKLIFT TIPPING BUCKET

Forklift Tipping Bucket

This attachment has been specifically designed to allow users to utilize their fork lift for use with a bucket to load bulk material only such as grain, woodchips, compost, etc.



General Operating

Before fitting the forklift tipping bucket ensure that the forklift is suitably sized and is fitted with counterbalance weights if required. Check the machine max lifting rate and allow for the load to be added to total weight. Before using the machine, ensure that the brackets and all hydraulics are fitted correctly. Never use the forklift without the locking pins in place. Approach the loose material with the bucket tipped so the cutting edge is parallel to the ground and return to closed position when full. The bucket rotates past ground level allowing content to be emptied easily.

Safety

Do not stand directly under the bucket at anytime. Single person operation only. Never place arms or limbs between bucket and carriage. Not to be used as a lifting devise. Do not crown back the bucket so far back that the contents can fall towards the operator.

Storage

Place the forklift tipping bucket on a level surface. Disconnect the bucket from the forklift after turning off the engine and applying the brake. Clean the machine thoroughly and remove any excess material that maybe lodged in any pivot points. Apply grease to the proportion of the ram that is showing and all grease points. Cover the bucket with a waterproof cover or store indoors.

Maintenance

The diagram above shows the machines grease points that should be greased daily. These include the two main pivot points on the arms, both ends of all hydraulic rams. Check all hydraulic items for signs of wear and leakage. Inspect front cutting edge and buffer pads regularly. These may need replacing if worn.

Hi-Tip Bucket

This attachment has been specifically designed to allow users to increase the unloading height of their machine to load loose bulk material only such as grain, woodchips, compost, etc. of each kind with a specific weight of max. 900kg/m³. It is not allowed to load gluey or sticky materials where a high breakout force is required.

General Operating

Before fitting the Hi-tip bucket ensure that the loader is suitably sized and is fitted with counterbalance weights if required. Check the machine max lifting rate and allow for the bucket weight and the load to be added to total weight. Before using the machine, ensure that the brackets and all hydraulics are fitted correctly.

-Approach the loose material with the hi-tip bucket so the cutting edge is parallel to the ground.

-**IMPORTANT!** The bucket must be lowered completely to the frame before the bucket is pushed into the loose material. This means the buffers on the bucket should be meeting the carriage stopper plate before being pushed into the loose material.

-For loading the material roll back the quick coupling frame of the loader.

-Shortly before the unload position is reached lift up the loaders arm to the needed height.

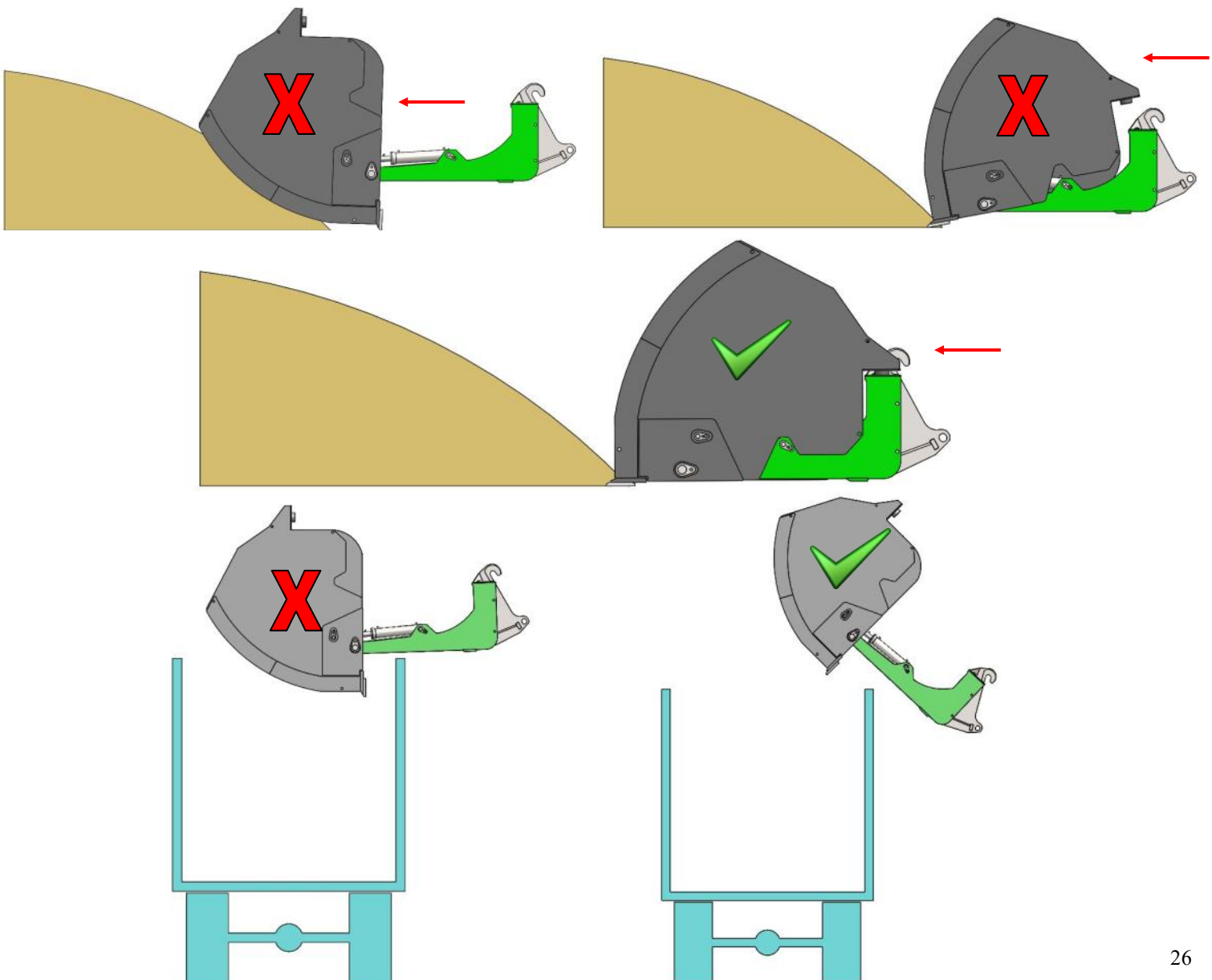
-**IMPORTANT!** The High-tip bucket must be dumped for approx. 45° or even more it is allowed to unload the bucket. The bucket must be unloaded with the High-tip bucket own tipping cylinders and NOT with the tipping cylinders of the loader. Otherwise you will risk damages on the attachment.

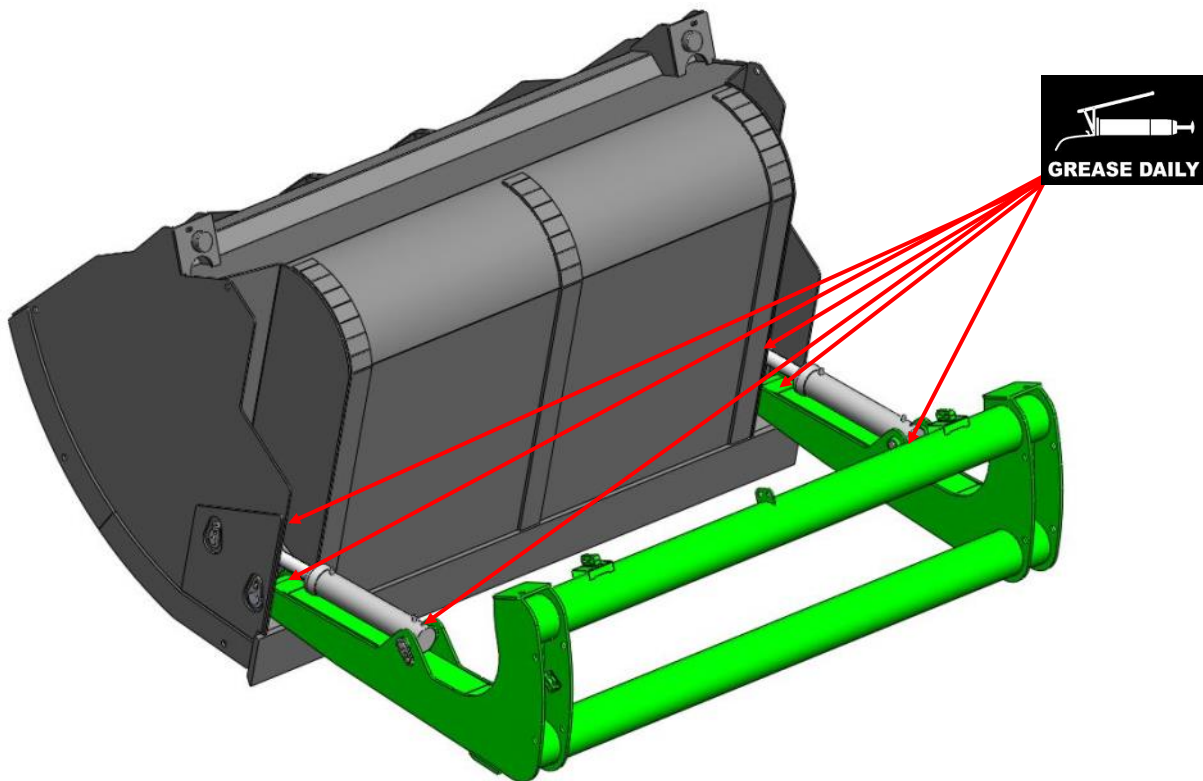
-Use the tipping function slowly. While tipping the center of gravity comes wider away from the loader and the loader may lose its standing safety. This is especially important for loaders with articulated steering. These loaders must stand straight towards the unload position.

-Do not shake the attachment while unloading the High-tip bucket.

-**IMPORTANT!** Do not use the tipped bucket for pushing work. This buckets is designed to increases the unloading height and not designed to be uses as a pushing device with the bucket tipped out. You will risk damages on the attachment.

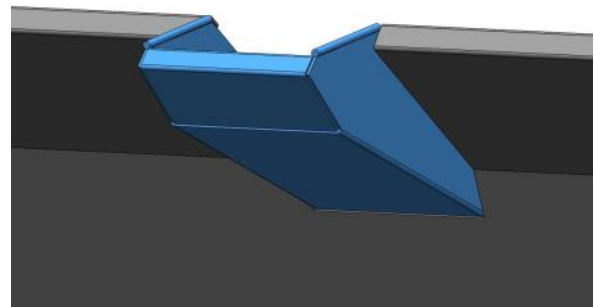
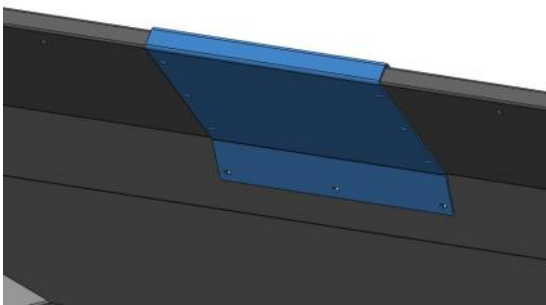
-To disconnecting the bucket from the loader the bucket must be lowered to the frame. Do don't disconnect a tipped bucket.





Z-Linkage cut out

Many of our Hi-Tip buckets come with a bolt on section that can be removed and replaced with a 'U' shape indent to allow for a z-linkage on a industrial loader. If required the bolt in section can be removed and an the additional 'U' shape indent can be fitted in its place.



Safety

Do not stand directly under the bucket at anytime. Single person operation only. Never place arms or limbs between bucket and carriage. Not to be used as a lifting devise. Do not crown back the Hi-Tip buckets so far that the contents can fall towards the operator.

Storage

Place the Hi-tip bucket on a level surface. Clean the machine thoroughly and remove and excess material that maybe lodged in any pivot points. Apply grease to the proportion of the ram that is showing and all grease points . Cover the Hi-tip bucket with a waterproof cover or store indoors. To disconnecting the bucket from the loader the bucket must be lowered to the frame. Do don't disconnect a tipped bucket.

Maintenance

The diagram above shows the machines grease points that should be greased daily. These include the two main pivot points on the arms, both ends of all hydraulic rams. Check all hydraulic items for signs of wear and leakage. Inspect front cutting edge, heels wear plate, side leading edge and buffer pads regularly. These may need replacing if worn.

Introduction

Bale Handler

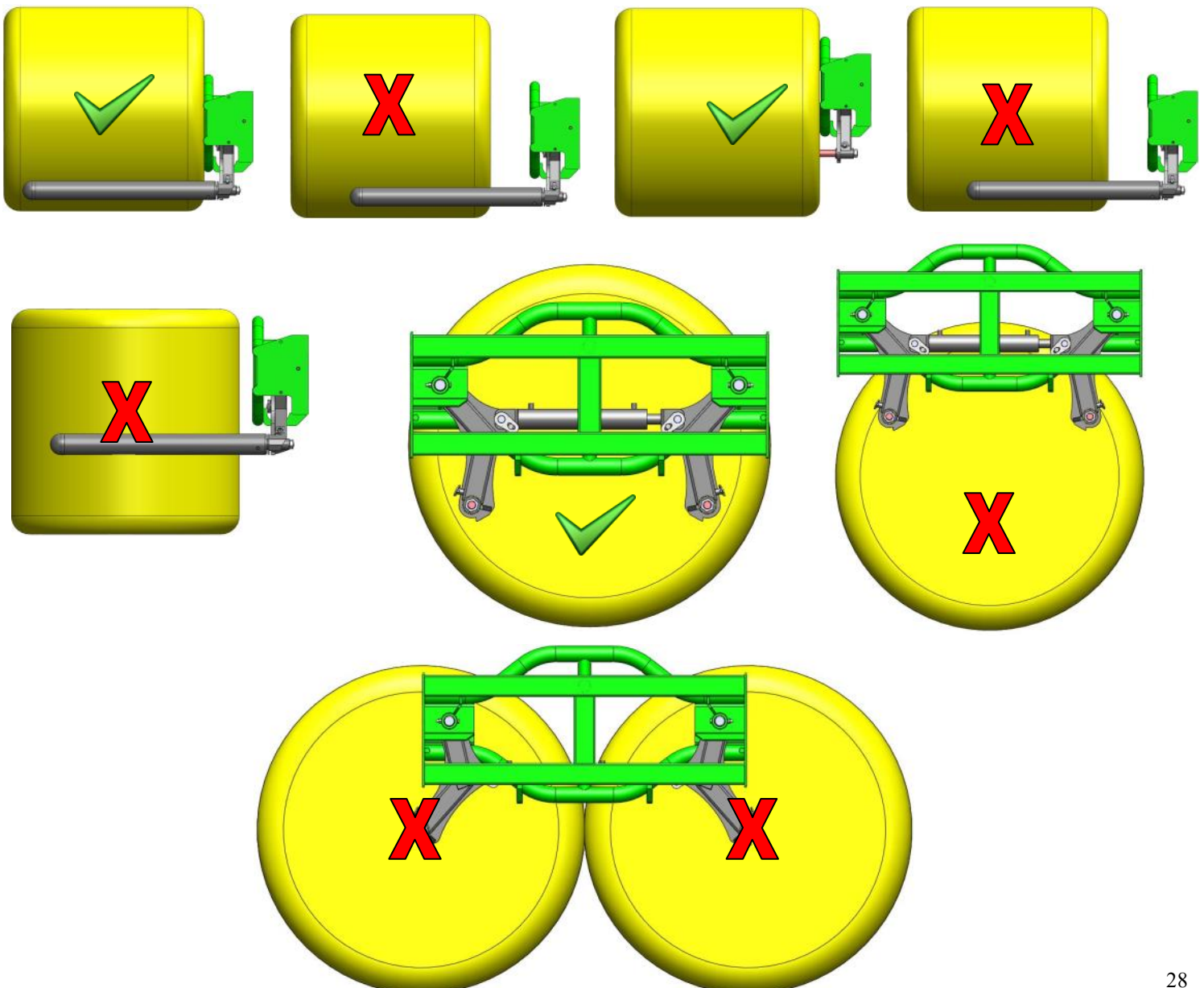
This machine has been specifically designed for use on small to large tractors and telehandlers for stacking and moving of a single round silage or straw bale only. The bale handler can be used with rotating sleeves to move wrapped bales or as a bale spike.

Operating Instructions

Before fitting the Bale handler ensure that the tractor or telehandler is suitably sized and is fitted with counterbalance weights if required. Check the machine max lifting rate and allow for the load to be added to total weight. Before using the machine, ensure that the brackets and all hydraulics are fitted correctly. Approach the bale centred on the bale handler with the arms opened. Lower the bale handler until it is close to the ground. Adjust the sleeves so that they are roughly parallel to the ground and continue until the bale comes into contact with the frame of the bale handler. Avoid lifting loads on the tips of the tines or tubes. Close the arms until the bale is held securely. To drop the bale place the bale on the ground and open the arm to allow the machine to be reversed. If removing bale from a stack avoid knocking others bales that may fall towards operator. To remove the sleeves remove the linch pin and rotate the locking bracket so it clears the arm. To attach the sleeves slide each sleeve over the tine and ensure the sleeve is securely in place and return the linch pin. To utilize the bale handler as a bale spike remove the sleeves and close the arms to there fully closed position. Approach the bale with the tines lower then the center of the bale and Continue until the bale comes into contact with the frame of the bale handler.

Safety

Do not stand under a bale at anytime. Always lower the bale if leaving the machine, even if it is for a short period. Not to be used as a lifting devise or for lifting objects other that bales. Do not crown back the bale handler so far that the bale can fall off towards the operator.

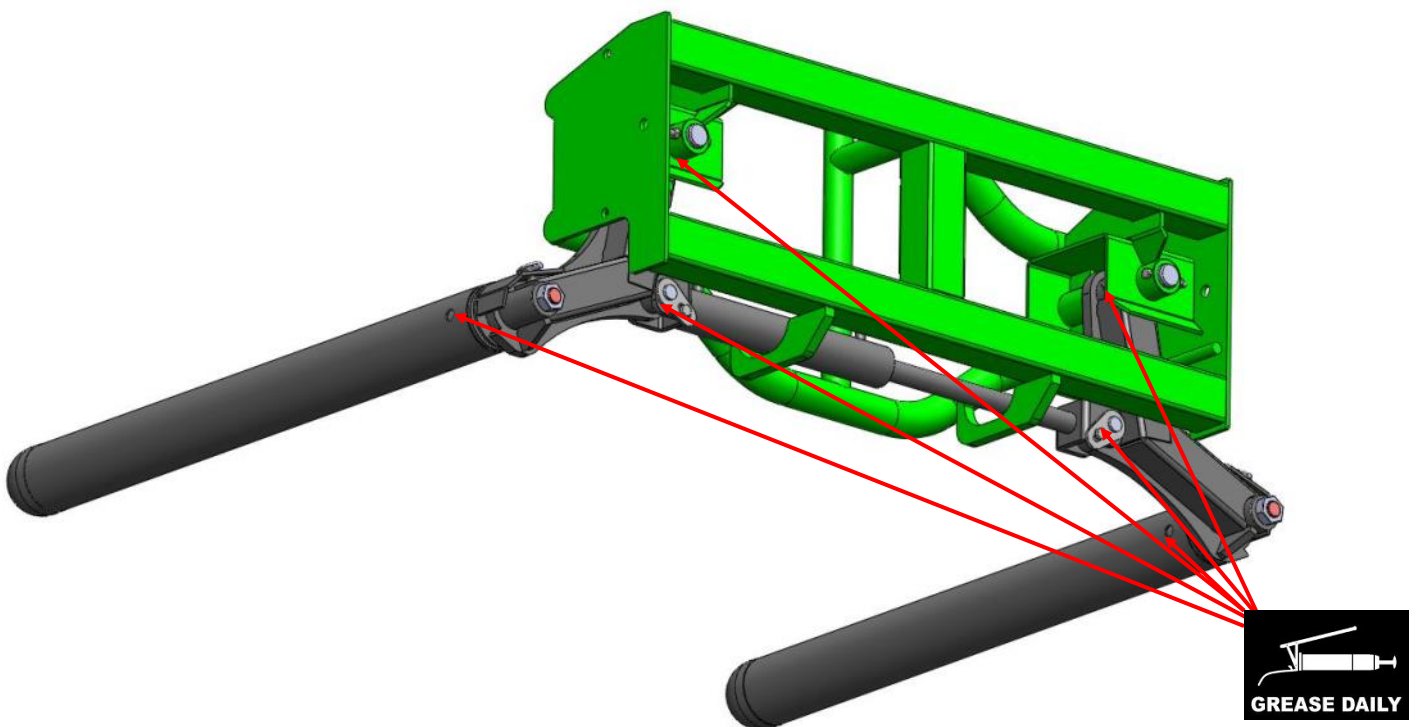




Remove Linch Pin

Rotate locking bracket so it clears the arm

Remove sleeve



Storage

Place the Bale Handler on a level surface. Disconnect the grab from the tractor after turning off the engine and applying the brake. Clean the machine thoroughly and remove any excess material that may be lodged in any pivot points. Apply grease to the proportion of the ram that is showing. Cover the bale handler with a waterproof cover or store indoors.

Maintenance

The diagram above shows the machine's grease points that should be greased daily. These include the two main pivot points on the arms, both ends of all hydraulic ram and tine sleeves. Check all hydraulic items for signs of wear and leakage. Ensure tine nuts are securely tightened. The main pivot point of the forks are fitted with bushings. These may need replacing if worn. Contact ProDig for replacement bushings, pins, etc..

Introduction

Bale Grab

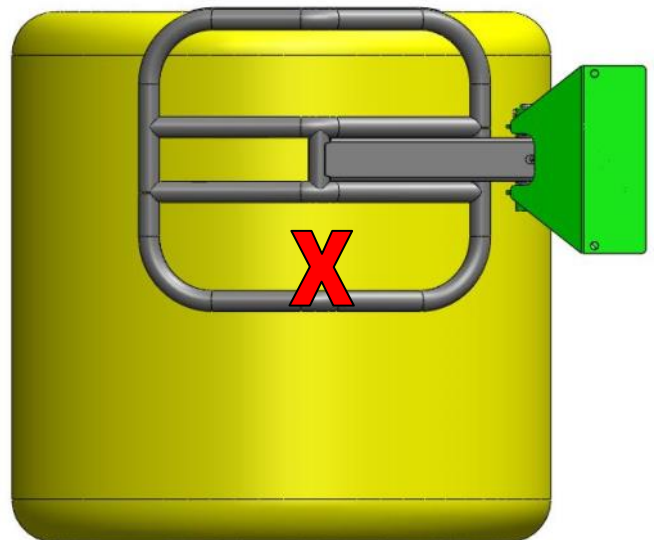
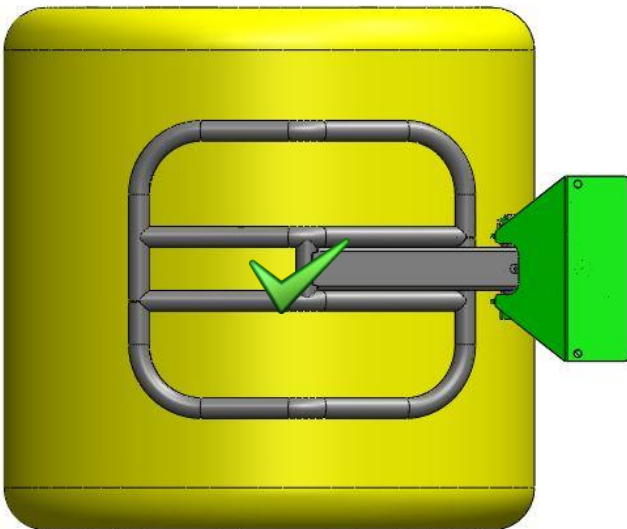
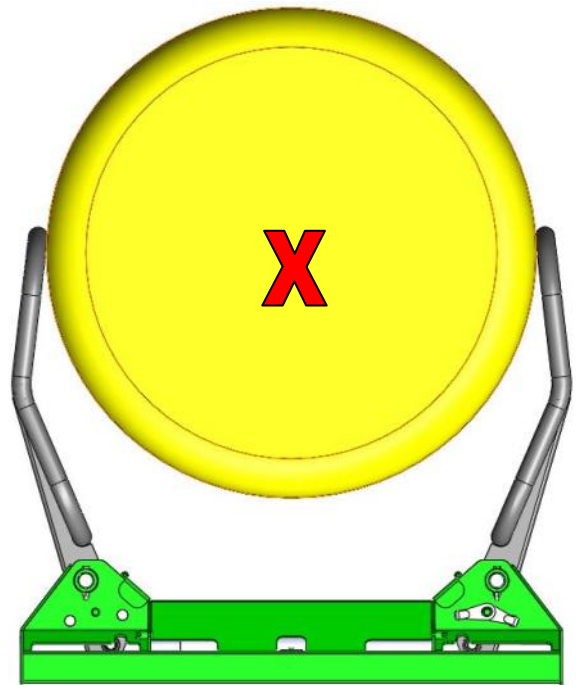
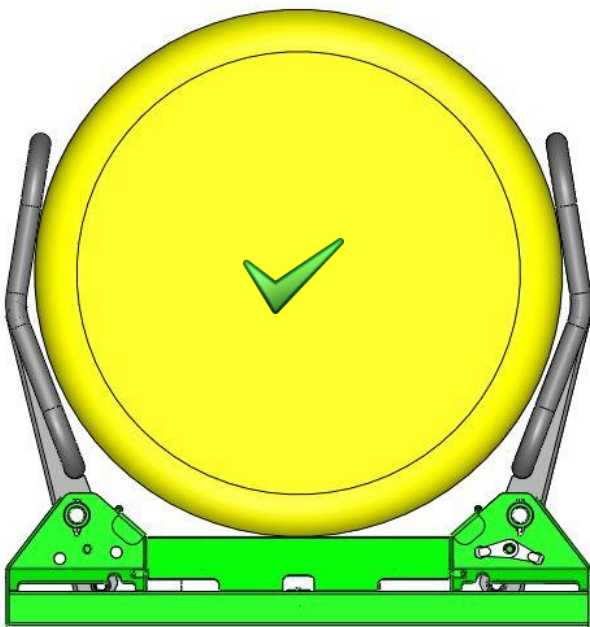
This machine has been specifically designed for use on small to large tractors and telehandlers for stacking and moving of a single round silage or straw bales only.

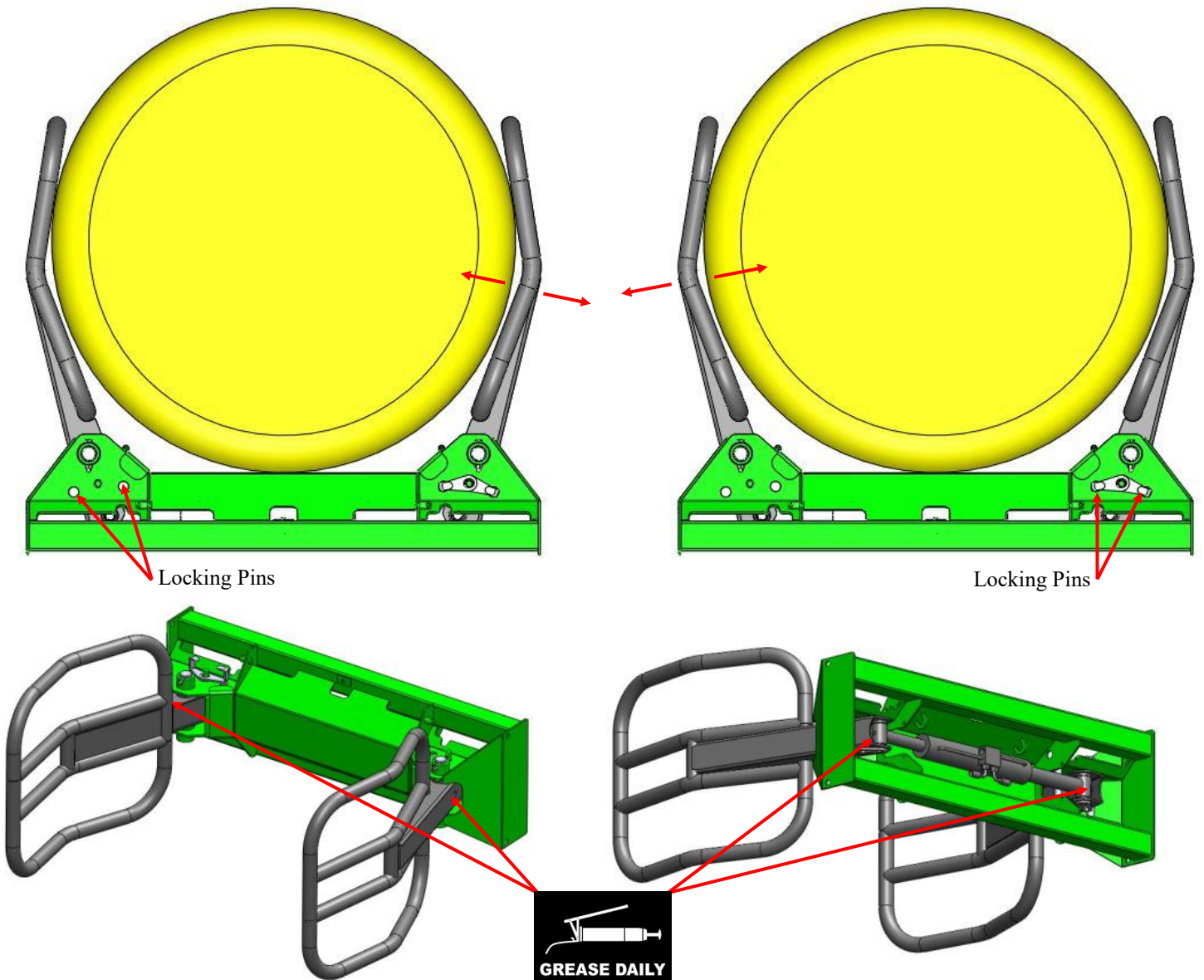
Operating Instructions

Before fitting the Bale Grab ensure that the tractor or telehandler is suitably sized and is fitted with counterbalance weights if required. Check the machine max lifting rate and allow for the load to be added to total weight. Before using the machine, ensure that the brackets and all hydraulics are fitted correctly. Approach the bale centred on the bale grab with the arms opened. Continue until the bale comes into contact with the frame of the bale grab. Avoid lifting loads on the tips of the arms. Close the arms until the bale is held securely. If removing bale from a stack avoid knocking others bales that may fall towards operator. For stacking proposes each arm can be locked in place individually. The locking pins are places both side of a arm which allow only the opposite arm to move. Do not put a pin in either side as the can lead to damage to the pins and frame. When pins are not in use return them to there storage position.

Safety

Do not stand under a bale at anytime. Always lower the bale if leaving the machine, even if it is for a short period. For safety the bale grab is fitted with a check valve to prevent the arms from opening in the event of the hose failure. Not to be used as a lifting devise, or for lifting objects other that bales. Do not crown back the bale grab so far that the bale can fall off towards the operator.





Storage

Place the Bale Grab on a level surface. Disconnect the grab from the tractor after turning off the engine and applying the brake. Clean the machine thoroughly and remove any excess material that may be lodged in any pivot points. Apply grease to the proportion of the ram that is showing. Cover the bale grab with a waterproof cover or store indoors.

Maintenance

The diagram above shows the machine's grease points that should be greased daily. These include the two main pivot points on the arms and also both ends of all hydraulic ram. Check all hydraulic items for signs of wear and leakage. The main pivot point of the forks are fitted with bushings. These may need replacing if worn. Contact ProDig for replacement bushings, pins, etc..

Introduction

Bale Stacker

This machine has been specifically designed for use on large tractors and telehandlers for stacking and moving of round or square straw bales only.

Pre Checks

Before fitting the Bale Stacker ensure that the tractor or telehandler is suitably sized and is fitted with counterbalance weights if required. Check the machine max lifting rate and allow for the load to be added to total weight. Before using the machine, ensure that the brackets and all hydraulics are fitted correctly.

Bale Stacker capacity

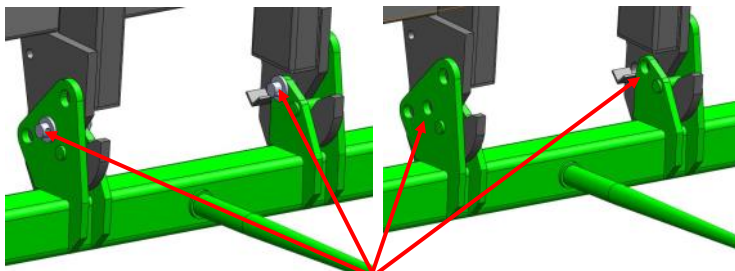
C430: no.4 (3') rectangular bales or 3 round bales

C320: no.3 (3') rectangular bales or 2 round bales

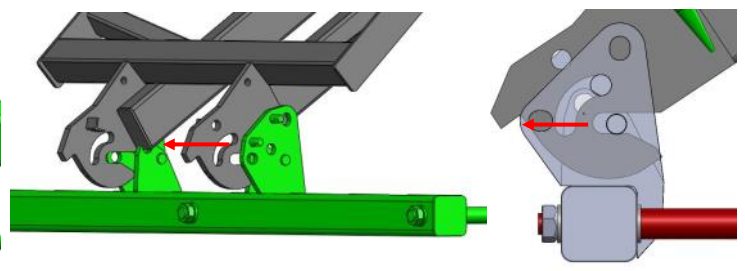
Operating Instructions

Bottom Bar

Both C430 and C320 can be fitted with a bottom bar. The bottom bar is mainly for use with square bales but can also be use with round bales. This bar can be locked in the upright position (for storage and while in transport) or locked unfolded or left in a floating position for easy withdrawal for a bale. This bar can also be easily be removed . To remove the bottom bar remove the two locking pins. The bar can be removed by tilting the bale stacker forward and reversing or can be manually lifted off. If manually lifting off the bar two people is recommended. To attach the bottom bar tilt the bale stacker forward and align the hooks with the brackets on the bottom bar. Always ensure that the locking pins are replaced.



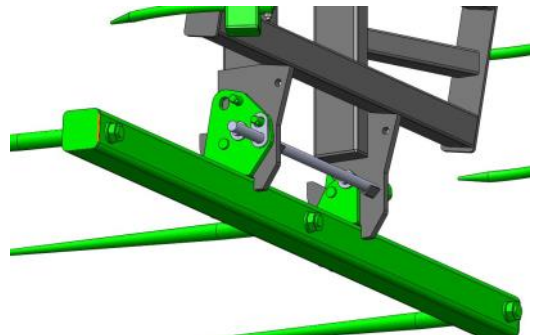
Remove both locking pins



Tilt bale stacker forward and reverse

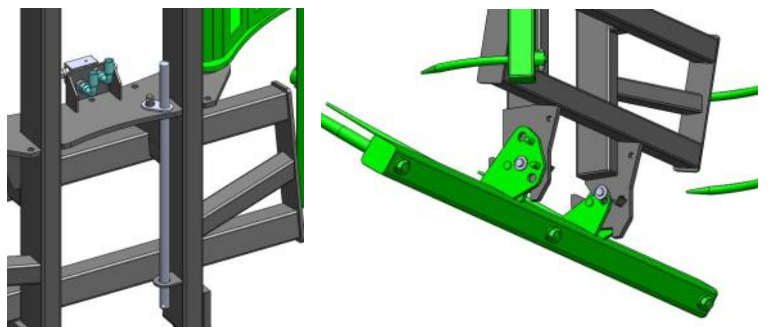
Position 1 - Fixed tines

Lower the tines and place the pin trough both brackets. Ensure pin is securely held in place with clip.



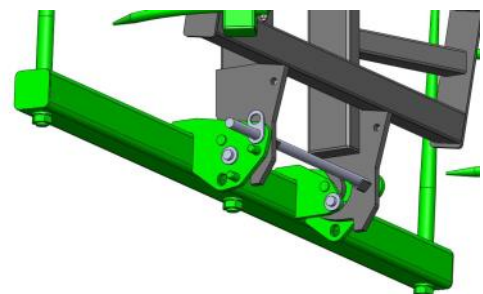
Position 2 - Floating tines

Lower the tines and remove pin totally for bottom bar. The pin can be stored in the centre of the main frame as shown.



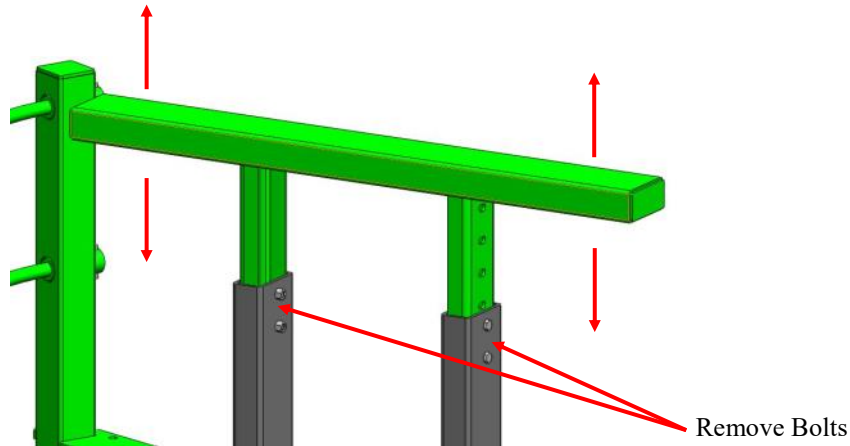
Position 3 - Park position

Fold up the bottom bar and place the pin trough both brackets. This position is for storage and while in transport.



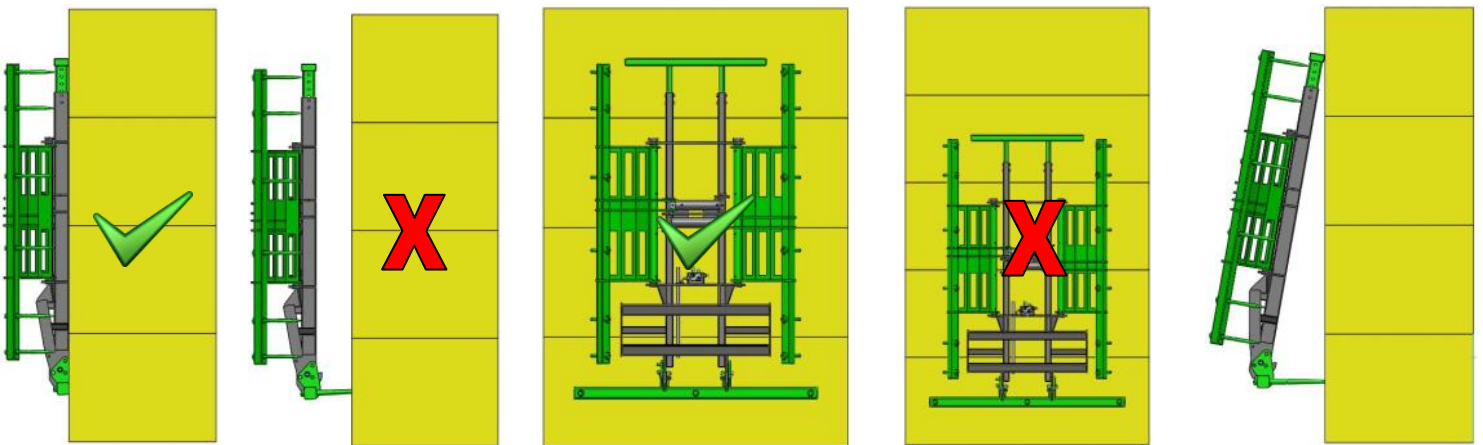
Top Push Bar

The top push bar is used to stabilise the bales. This can be adjusted higher or lower depending on requirements. Do not lift if bales where more than half of the top bale is above the push bar. To adjust top push bar, remove bolts and adjust to required height and replace bolts. As the top bar may be the highest point of the bale stacker take caution when in confined space or indoors.



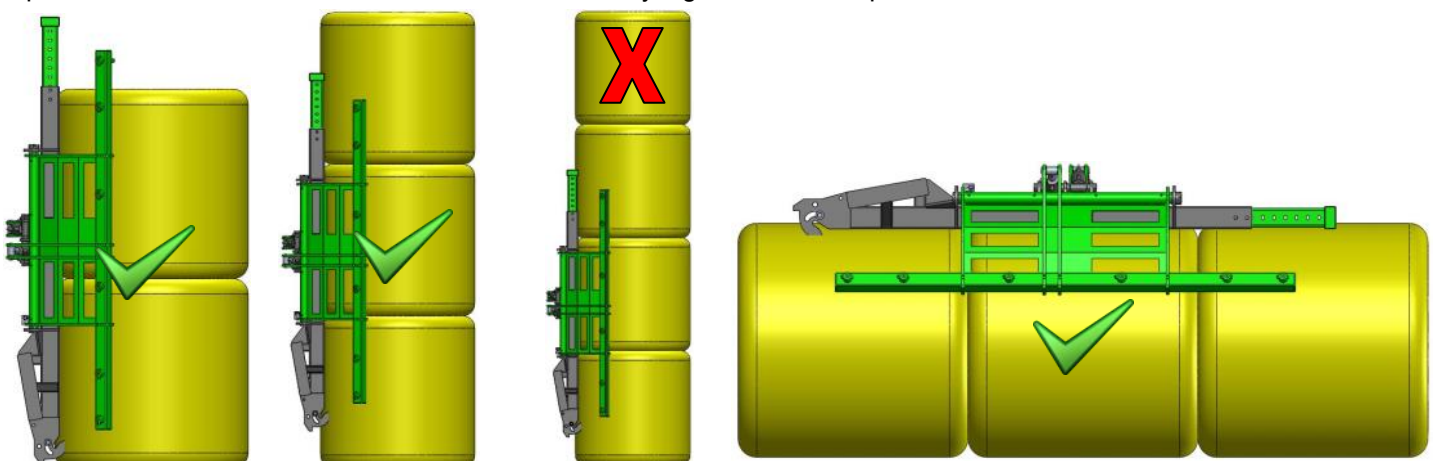
Use with square bales

Approach the bale/bales centred on the bale stacker with the arms opened. Continue until the bale/bales comes into contact with the frame of the bale stacker. When lifting square bales it is recommended to approach a bale with the bottom bar below halfway of the bottom bale. Avoid lifting loads on the tips of the arms or tines. Close the arms until the bale/bales is held securely. To unload the bales place the bales on the level bass and open the arms, tilt the bale stacker forward while reversing using the top bar to steady the stack. This will allow the tine to easily withdraw from the bales. If removing bale form a stack avoid knocking others bales that may fall towards operator. Never lift a load where a bale is over halfway higher then the top frame.



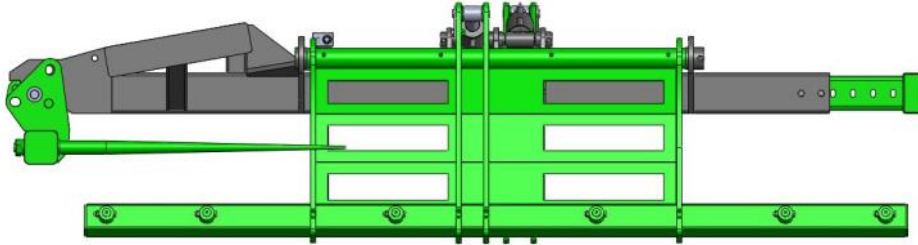
Use with round bales

Approach the bale/bales centred on the bale stacker with the arms opened. Continue until the bale/bales comes into contact with the frame of the bale stacker. When lifting round bales the bottom bar maybe be optional. Avoid lifting loads on the tips of the arms or tines. Close the arms until the bale/bales is held securely. Bale can be lifted on there horizontal or vertical. To unload the bales place the bales on the level bass and open the arms, tilt the bale stacker forward while reversing using the top bar to steady the stack. If removing bale form a stack avoid knocking others bales that may fall towards operator. Never lift a load where a bale is over halfway higher then the top frame.



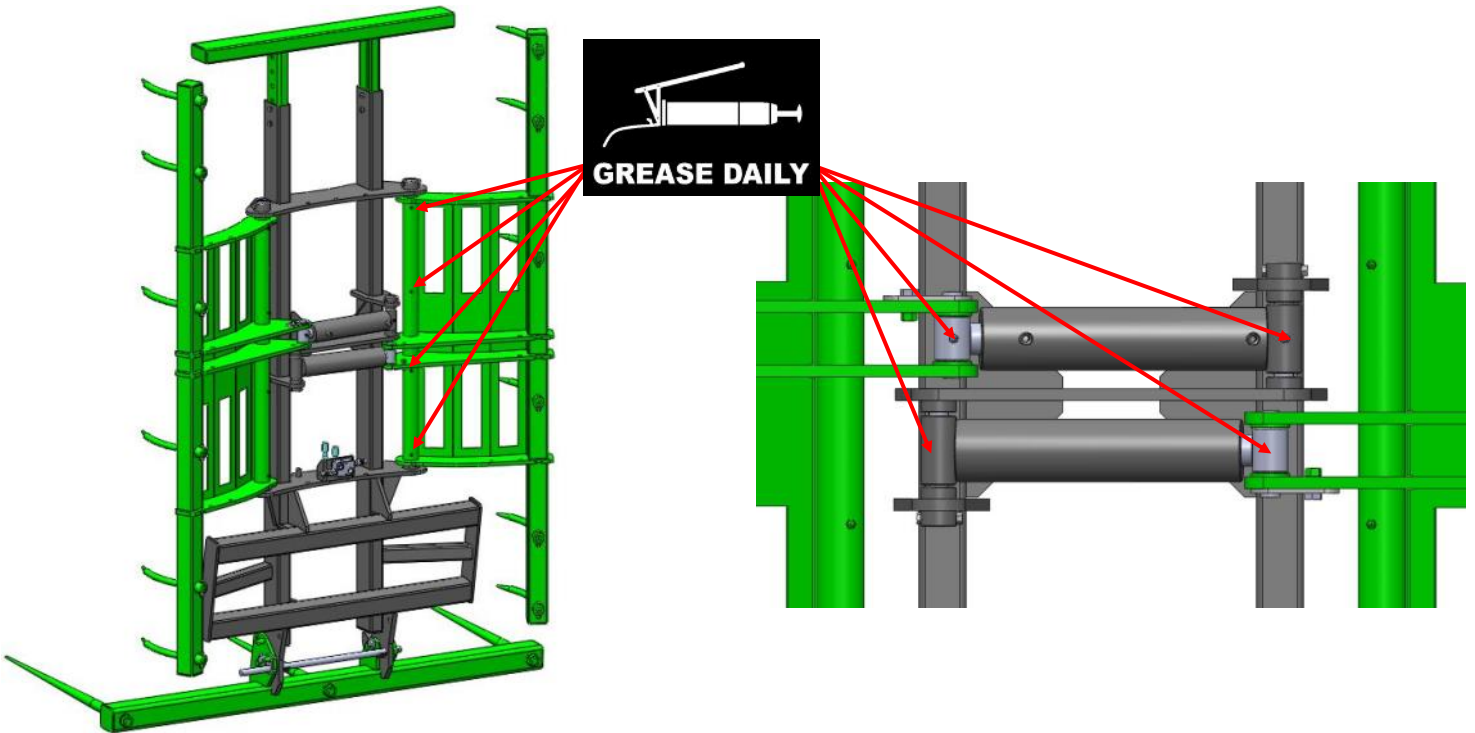
Storage

To store the bale stacker, place the bottom bar in the upright position and close the arms. If fitted with a telescopic bottom bar insure that the arms do not come in contact with the tines. Place the bale stacker face down on a level surface in its closed position. Disconnect the grab from the machine after turning off the engine and applying the brake. Clean the machine thoroughly and remove any excess material that maybe lodged in any pivot points. Apply grease to the proportion of the ram that is showing and all grease points. Cover the bale stacker with a waterproof cover or store indoors.



Maintenance

The diagram below shows the attachments grease points that should be greased daily. These include the main pivot points on the both arms and both ends of all hydraulic rams. Check all hydraulic items for signs of wear and leakage.



Safety

Do not stand under a bale at anytime. Always lower the attachment if leaving the machine even if it is for a short period. Not to be used as a lifting device, or for lifting objects other than bales. Do not crown back the bale grab so far that the bale can fall off towards the operator. Ensure all the tines are fastened correctly.



FOLDING GRASS FORK

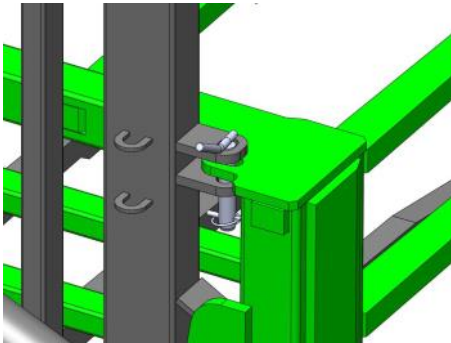
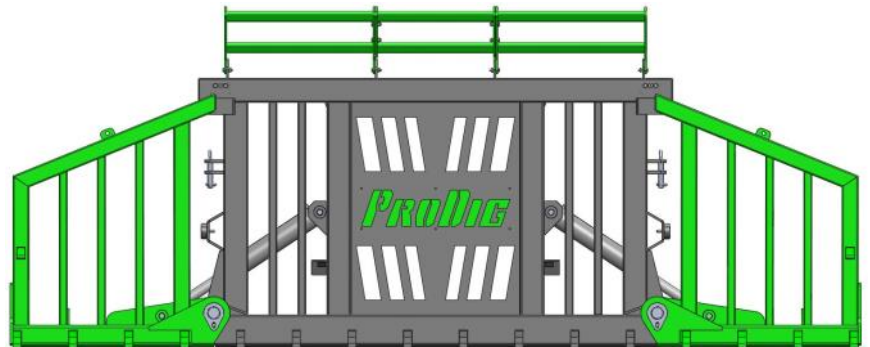
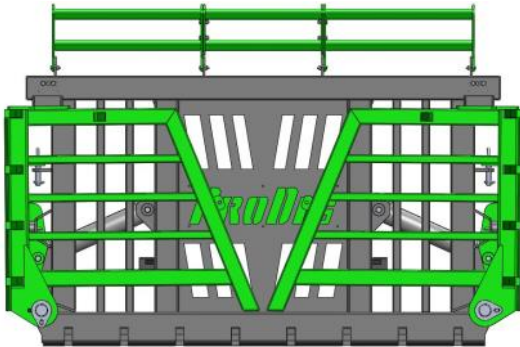
Introduction

Folding Grass Fork

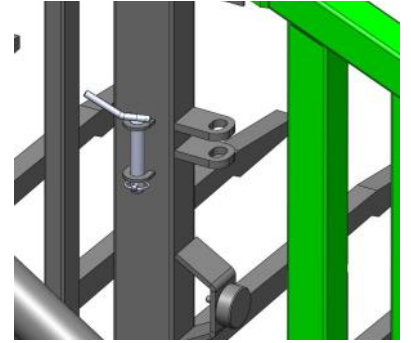
This machine has been specifically designed for use on large wheeled loaders allowing large forks to reduce in size for transport.

Operating Instructions

Before fitting the Folding Grass Fork ensure that the loader is suitably sized. Check the machine max lifting rate and allow for the load to be added to total weight. Before using the machine, ensure that the brackets and all hydraulics are fitted correctly. While in transport the arms are to be locked in place with a locking pin as see above. This prevents the wings from accidentally being opened while in transport. Before using the fork remove the pins, these can be stored at the back of the fork (see below).



Locked Position

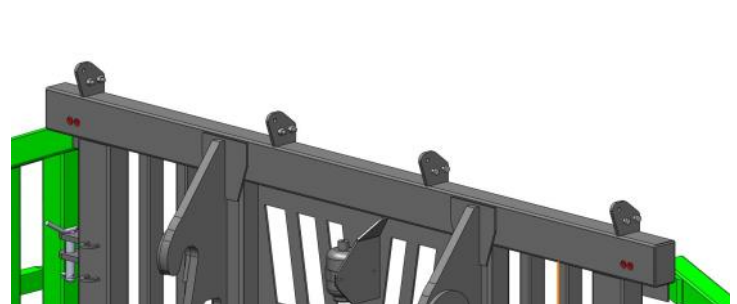
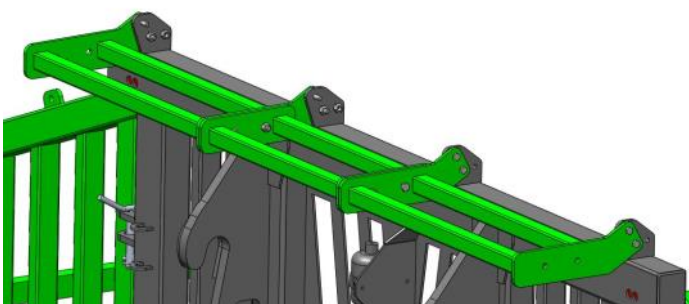
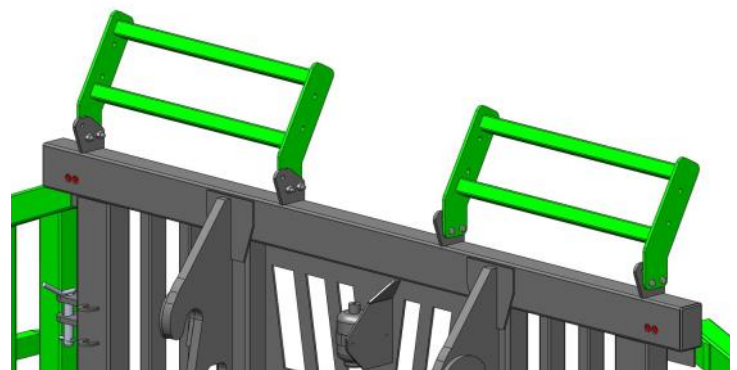
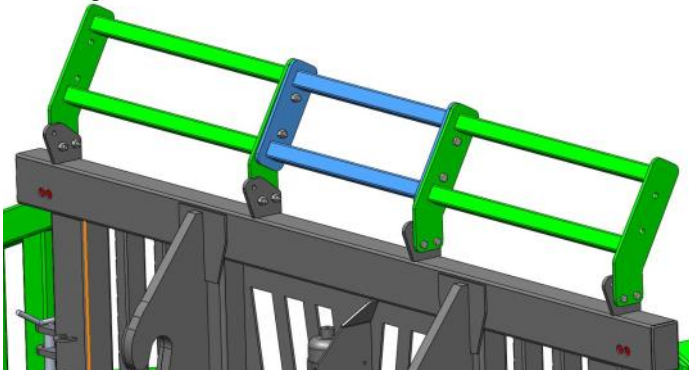


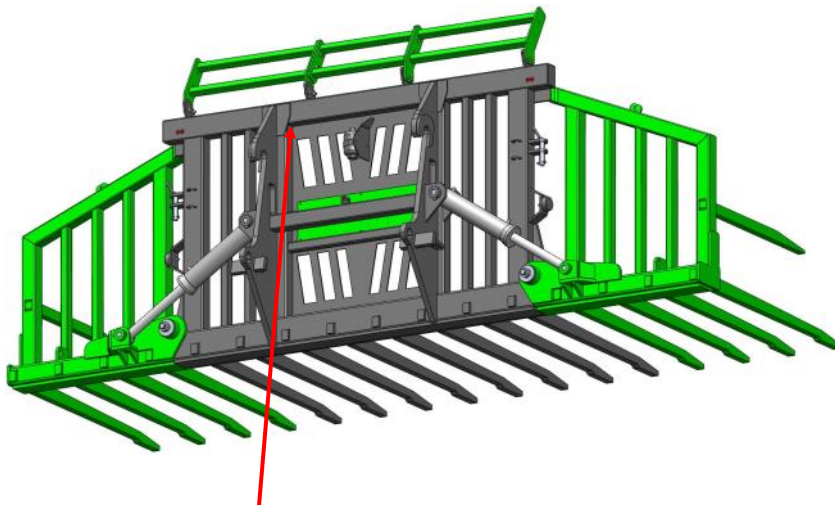
Pin Storage Position

Bolt on Top Frame

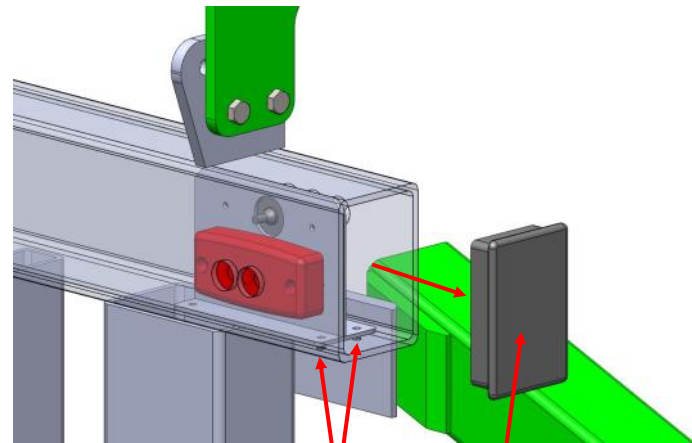
Our grass fork can come with a fixed weld on top frame or bolt on top frame.

The bolt on to frame can be removed or rotated back to lower the over all height of the fork for use in confined space or indoors where there is a low roof. Many of our forks come with a bolt on section that can be removed to allow room for a z-linkage on a industrial loader.





Lights wired to the left hand side of hitch bracket

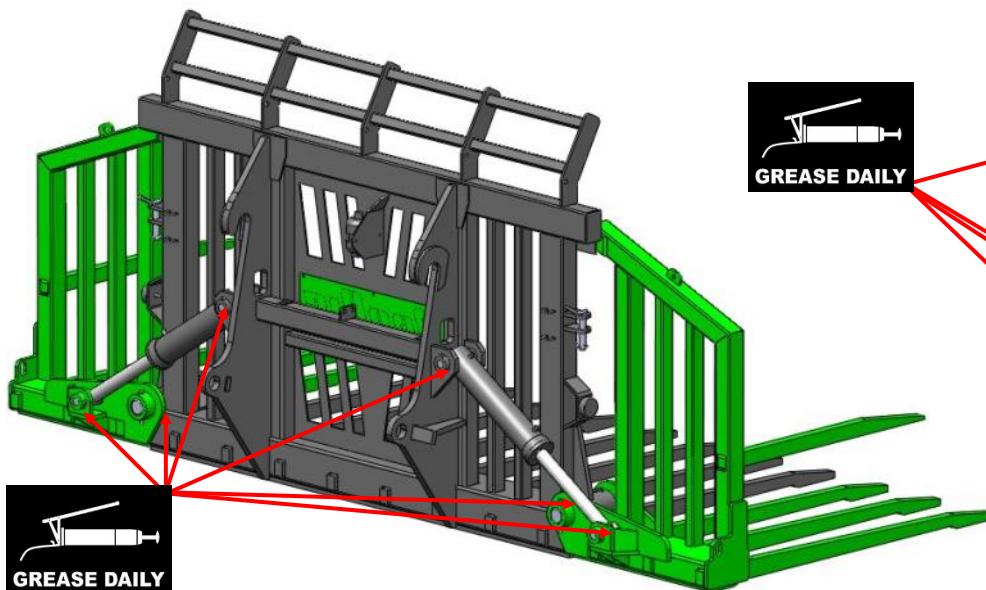


Remove two M6 bolts

Remove end cap

Light Kit

The light kit is fitted inside the top section on the centre of the fork. The lights are wired to the left hand side of hitch bracket. These are 12 volts lights with a flashing amber light facing forward and a solid red light facing backwards. When the fork is folded up for transport these highlight the outer limits of the fork making other user aware of the width of the fork. If these lights need replacing the end cap can be removed with gives you access to the two M6 bolt holding the light mount. Remove these bolts and slide out the might mount.



Storage

Place the Folding Grass Fork on a level surface in its closed position with the locking pins in place. Disconnect the grab from the tractor after turning off the engine and applying the brake. Clean the machine thoroughly and remove any excess material that maybe lodged in any pivot points. Apply grease to the proportion of the ram that is showing and all grease points. Cover the fork with a waterproof cover or store indoors.

Maintenance

The diagram above shows the machines grease points that should be greased daily. These include the two main pivot points on the wings and both ends of all hydraulic rams. Check all hydraulic items for signs of wear and leakage. Inspect the buffer pads, bottom wear plates regularly. The main pivot point of the folding grass forks are fitted with bushings. These may need replacing if worn. Over time the tines will wear back, once the wear tip is worn it is recommended that these are replaced with weld on wear tips. Contact ProDig for replacement bushings, buffer pads, pins etc..



PUSH OFF GRASS FORK

Introduction

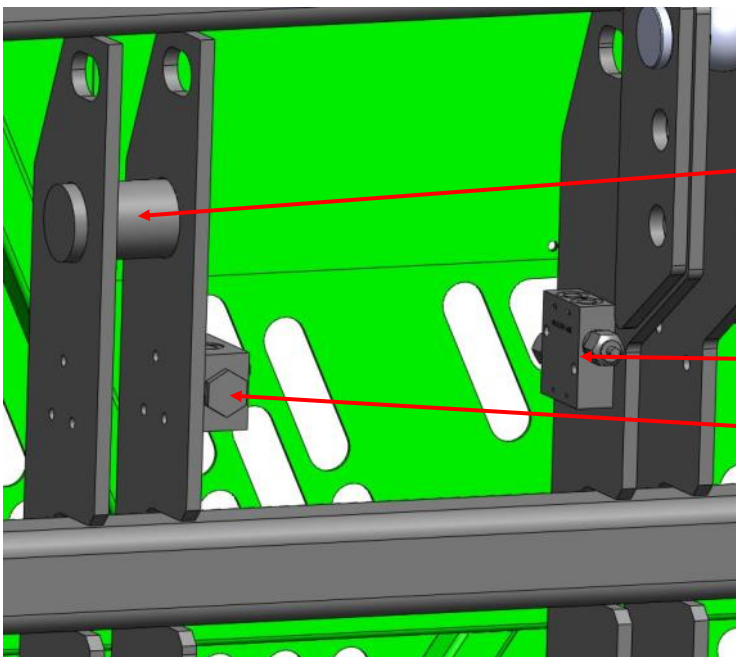
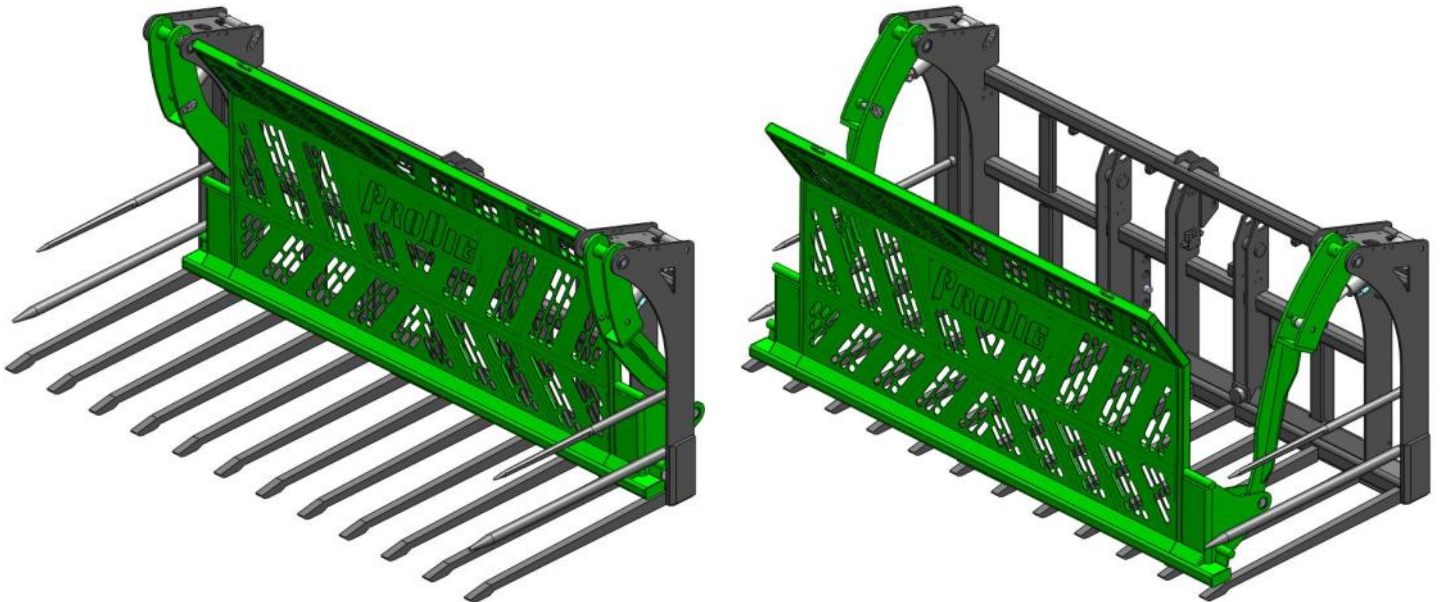
Push Off Grass Fork

This machine has been specifically designed for use on the front or back of large tractors allowing them to be utilized to work in a pit. This can also be used by wheeled loaders to increase the tipping height.

Operating Instructions

Before fitting the push off grass fork ensure that the tractor or loaders is suitably sized. Check the machine max lifting rate and allow for the load to be added to total weight. If being use on the front linkage of a tractor check the front arms lifting max weight. Before using the machine, ensure that the brackets and all hydraulics are fitted correctly. Check the attachment is locked securely and hydraulic hoses are not catching by routing in all configurations (fully crowded, fully dumped, etc.)

To use and push off grass fork drive into the loose material and fill the fork. Move to the desired location and extend the gate to empty the fork. The fork is fitted with a pressure relief valve and equalizer valve. The equalizer valve is to ensure the two rams extend and retract at the same time. The pressure relief valve prevents the gate from extending and retracting in the event of a force that exceeds a safe working load for the fork and preventing any damage occurring from this.

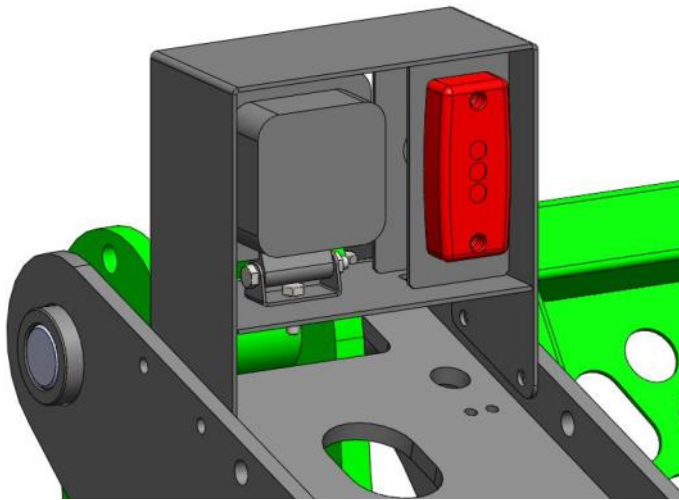
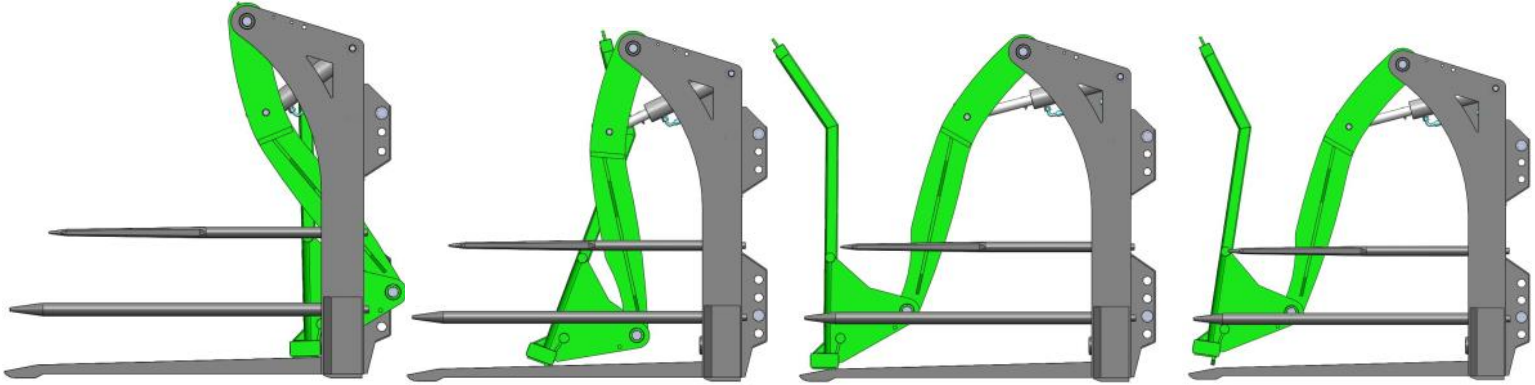


Adapter hitch pick up point

Pressure relief valve

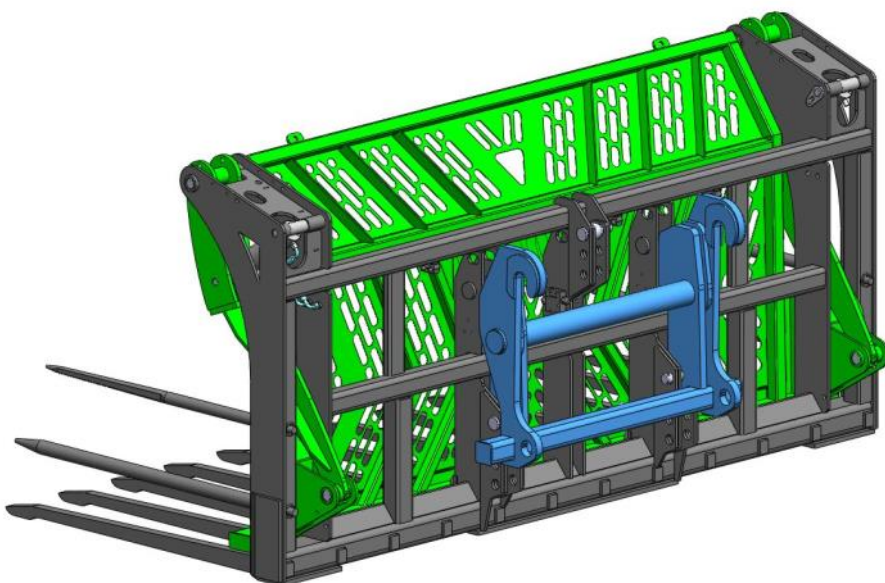
Equalizer valve

Due to the configuration of the rams and gate, it adjusts to the load being placed on the gate. There is a stopper that uses the bottom side tine prevents the gate from tilting back further that 10 degrees when fully extended. If this bottom tine is removed or damaged this may result in the gate tilting back.



Light Kit

The light kit is fitted on the top section on the outside uprights. The lights are wired to the left hand side of hitch bracket. These are 12 volts lights with a forward facing work light. Also facing forward flashing amber light and a solid red light facing backwards. These highlight the outer limits of the fork making others to be aware of the width of the fork.



Adapter Hitch

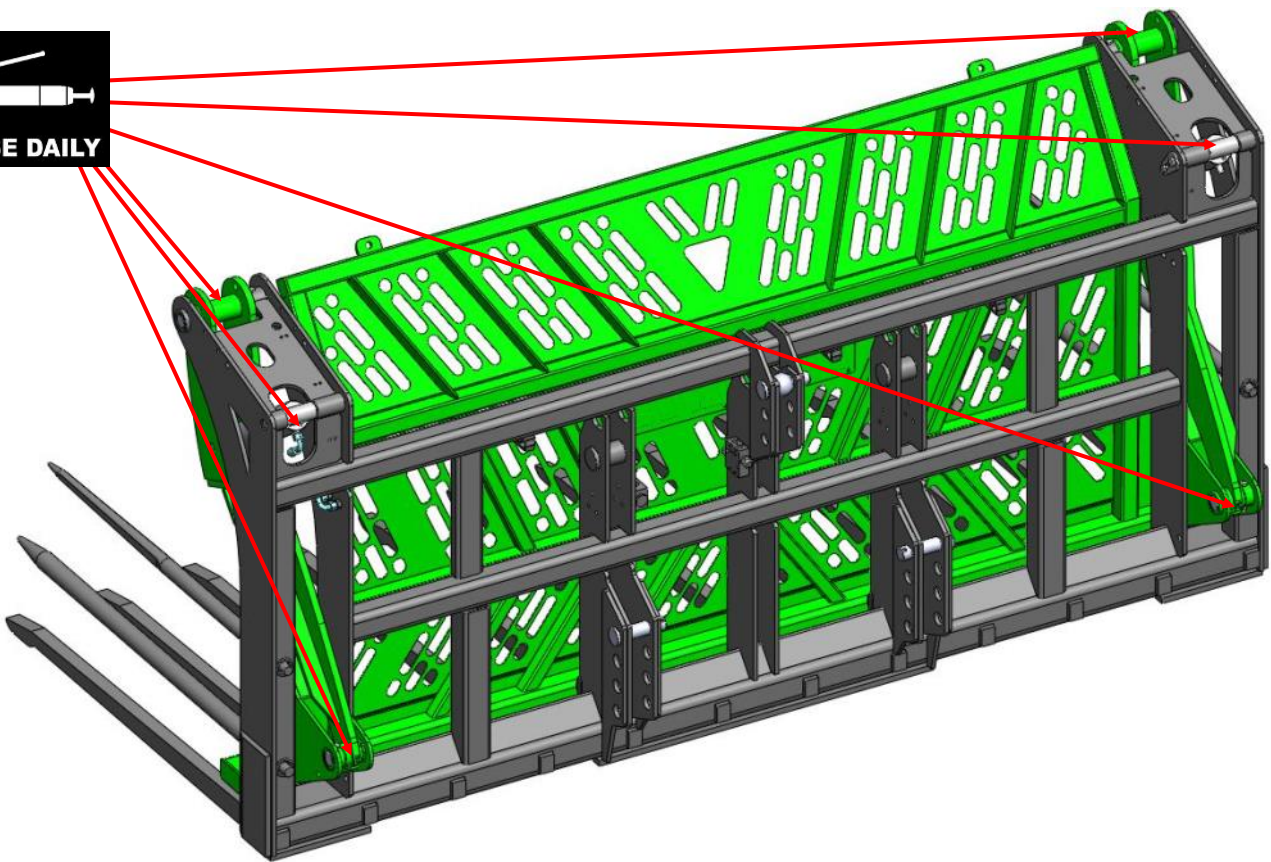
The push off grass fork can be fitted with cat 2 & cat 3 three point linkage. These come with pick up points for an adapter hitch which can be made to pick up any loader hitch.

Storage

Place the push off grass fork on a level surface in its closed position. Disconnect the fork from the machine after turning off the engine and applying the brake. Clean the machine thoroughly and remove any excess material that may be lodged in any pivot points. Apply grease to the proportion of the ram that is showing and all grease points. Cover the fork with a waterproof cover or store indoors.

Maintenance

The diagram shows the machine's grease points that should be greased daily. These include the two main pivot points on the arms and both ends of all hydraulic rams. Check all hydraulic items for signs of wear and leakage. Inspect the buffer pads, bottom wear plates & gate wear plates regularly. The main pivot point of the forks are fitted with bushings. These may need replacing if worn. Over time the tines will wear back, once the wear tip is worn it is recommended that these are replaced with weld on wear tips. Contact ProDig for replacement bushings, buffer pads, pins, wear tips, etc..



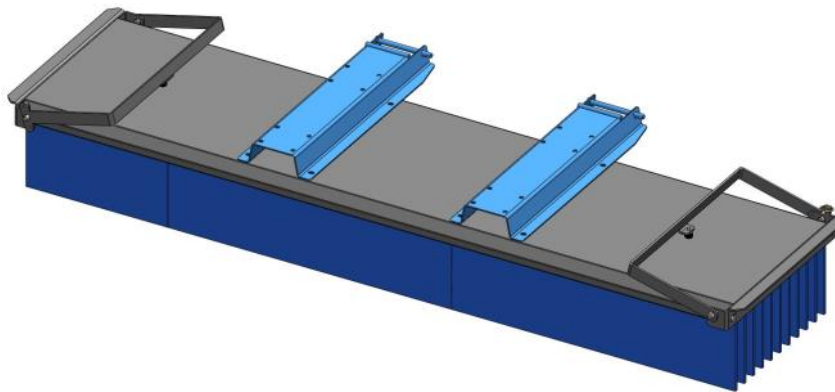
Introduction

ProSweep

The Prodig ProSweep is an attachment designed to increase efficiency and reduce costs when maintaining yards, roadways and other areas. This machine has been specifically designed for use on tractors/ telehandlers/ forklifts to utilize them for sweeping proposes.

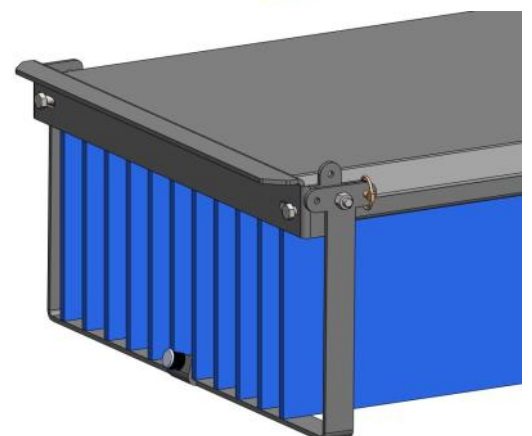
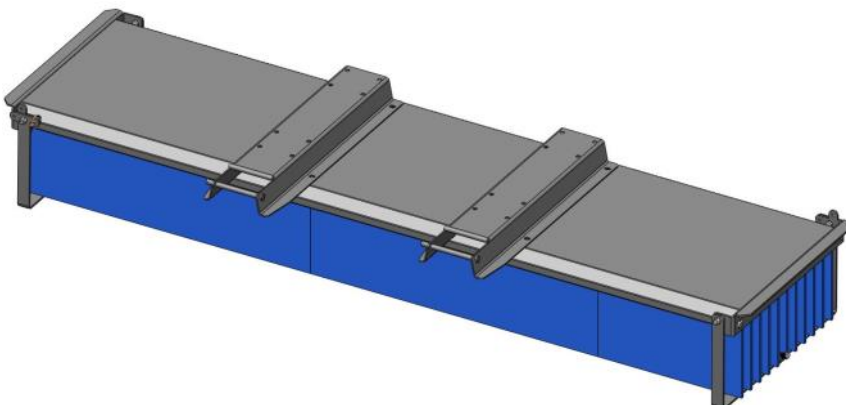
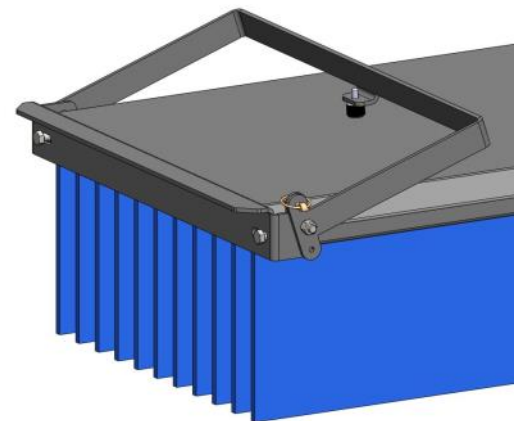
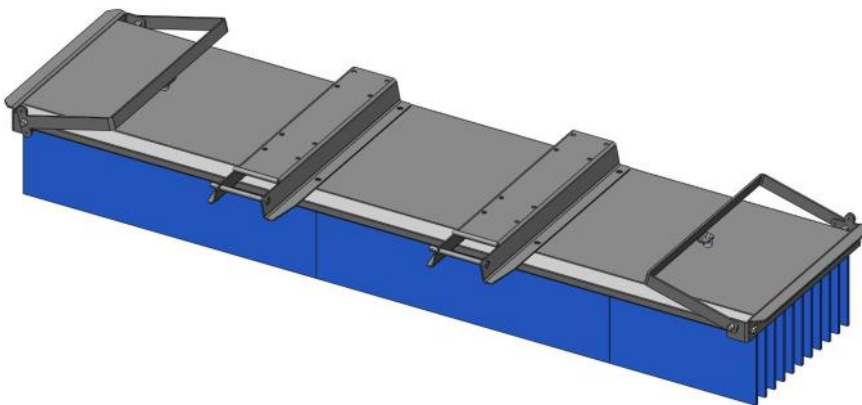
Operating Instructions

The prosweep can be fitted with any hitch to suit different types of machines. The hitch is bolted down to the top of the sweeper channel. To fasten the hitch to the channel alien the slotted holes of the hitch to the holes on the channel. Each bracket is held down with no.4 M12 bolts. Periodically check bolt on hitches that the bolts are fastened correctly and are not showing any sign of damage. If a Bolt is broken or missing a nut do not use until fixed correctly as this will result on extra force being place on the remaining bolts.



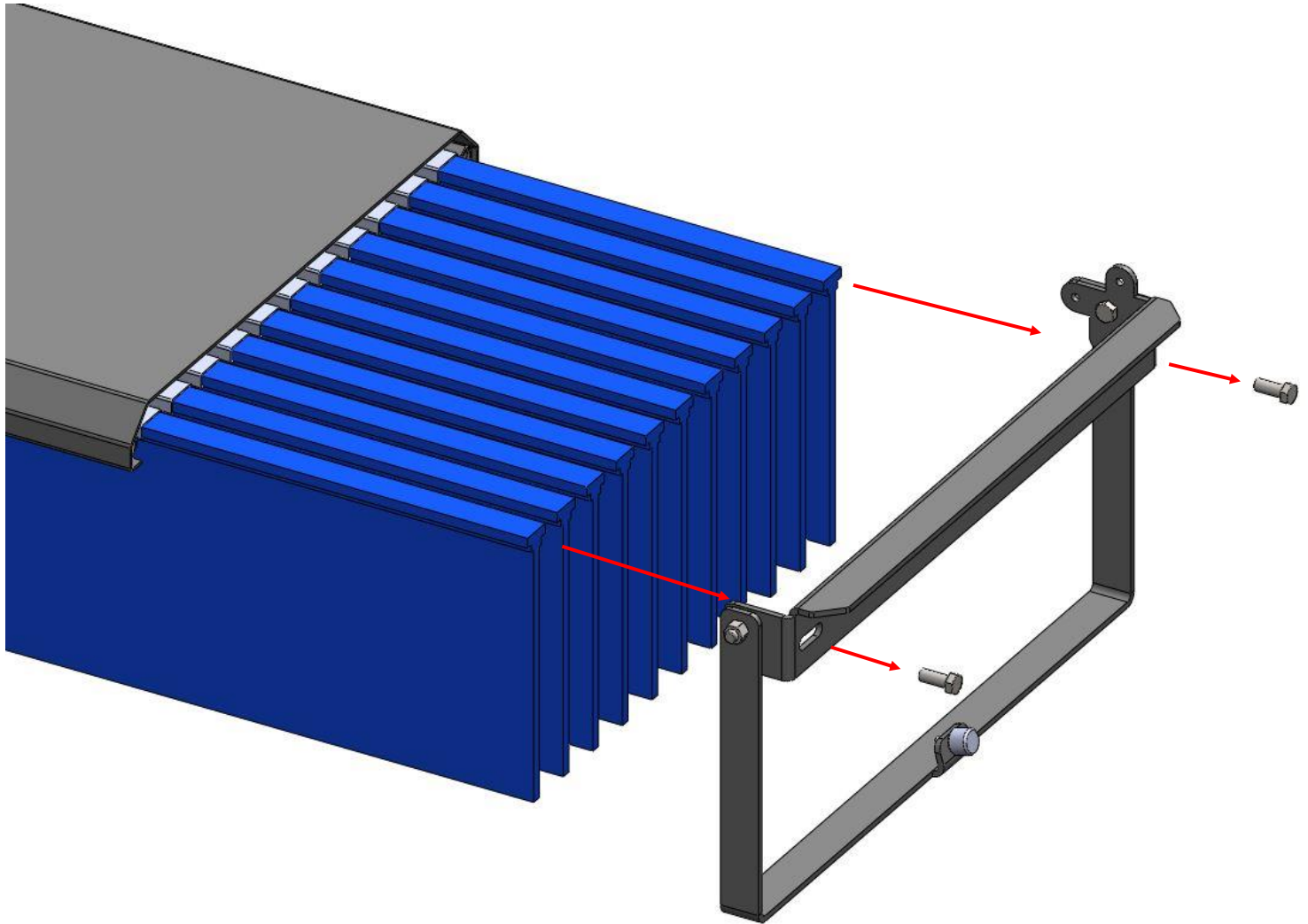
Sweeper Stand

The prosweep is fitted with stands on either side. These are to be use when the sweeper is not in use and prevent the bristles from being distorted over time from the weight of the channel and hitch sitting on top of them. The stands swing out of the way and rest on top of the channel when the sweeper is being used. This is done by attaching the sweeper to the machine and raising it so that there is no weight on the stands. By removing the locking linch pin the stands can swing out of the way. Ensure the linch pin is replaced to lock the stands on top. This prevents them from swinging down when in use which could cause damage.



Replacing Bristles

Overtime the bristles will wear down and need replacing depending on usage. This is done by removing the two M12 bolts that hold on the end section. With this removed the bristles slide out of the galvanized inner channels and can be replaced with new bristles. Remount the end section and ensure that the bolts are fastened correctly before use.



Storage

Place the sweeper on a level surface. Ensure the stands are used when the sweeper is not in use. Disconnect the sweeper from the machine after turning off the engine and applying the brake. Clean the machine thoroughly and remove any excess material that may be lodged. Cover the sweeper with a waterproof cover or store indoors.

Maintenance

Inspect the bristles, buffer pads regularly. These may need replacing if worn. Contact ProDig for replacement bristles, buffer pads, etc..

Introduction

Prodig attachments

Prodig offer a range of other products designed for use on tractors, telehandlers, forklifts and wheeled loaders. These products include: Tractor buckets, Loader buckets, Stone buckets, Grain buckets, Grass forks, Manure forks, Pallet forks, Stone forks. These products do not have any moving parts but the same attention and care is required to maintain a safe working environment and prolong the attachments service life. See page 4 & 5 for safety/ pre check/ hydraulics.

Operating Instructions

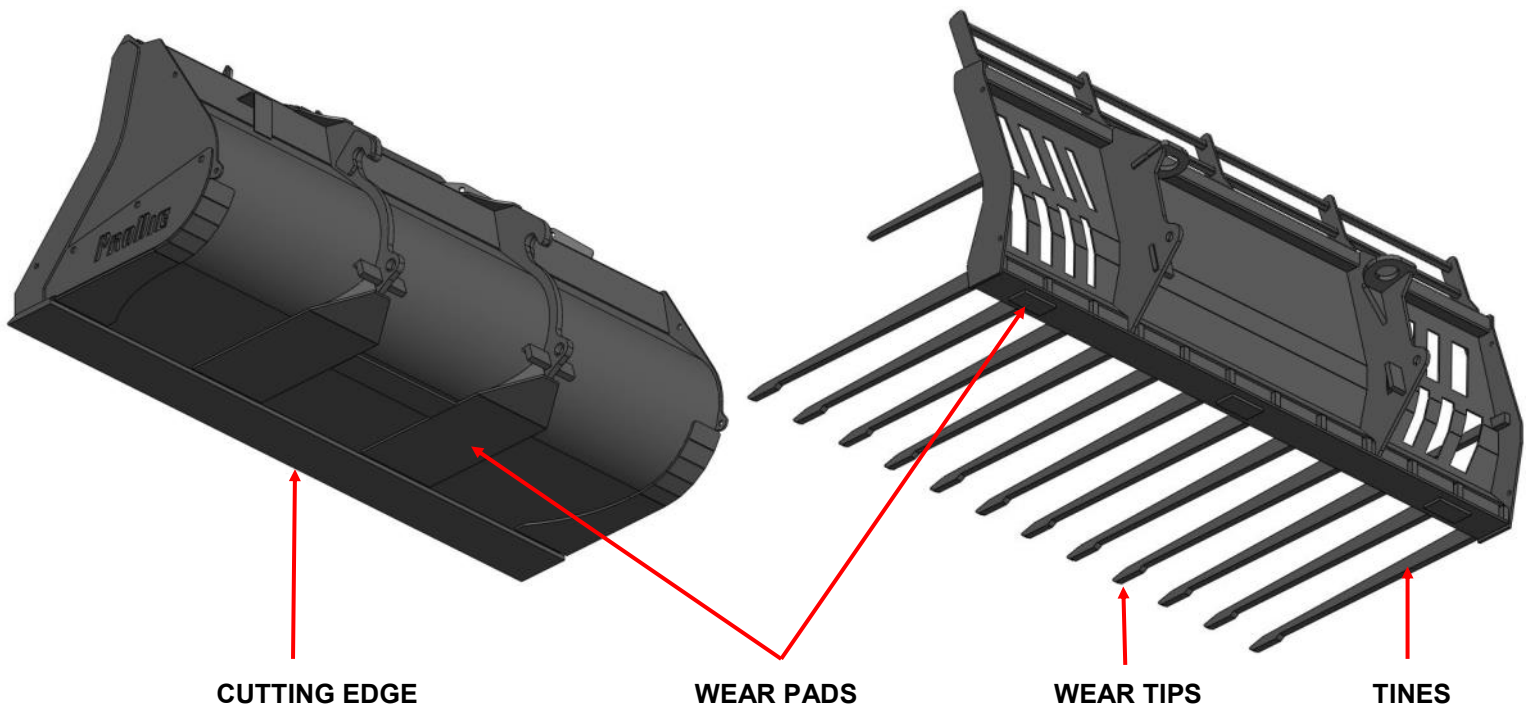
Before fitting the attachment ensure that the tractor or loaders is suitably sized and is fitted with counterbalance weights if required. Check the machine max lifting rate and allow for the load to be added to total weight. Before using the machine, ensure that the brackets and all hydraulics are fitted correctly (see page 7). Check the attachment is locked securely and hydraulic hoses are not catching by routing in all configurations (fully crowded, fully dumped, etc.) Check periodically to ensure that locking/ safety pins and bolts are in place.

Storage

Place the attachment on a level surface in its closed position. Disconnect the attachment from the machine after turning off the engine and applying the brake. Clean the attachment thoroughly and remove any excess material that may be lodged. Apply grease to the proportion of the ram that is showing and all grease points. Cover the attachment with a waterproof cover or store indoors.

Maintenance

The diagrams below show the machine's wear points. Inspect the wear points regularly. Over time the tines, cutting edge and wear pads will wear back. Once these are worn it is recommended that these are replaced before the structural integrity of the attachment is compromised. Check all hydraulic items for signs of wear and leakage. Contact ProDig for replacement bushings, buffer pads, pins, wear tips, tines, cutting edge, etc..







ProDig
Newtown,
Bagenalstown,
Carlow,
Ireland

QR21,REV 4, 11-01-19

+353 (0)59 972 7494
www.prodigattachments.com