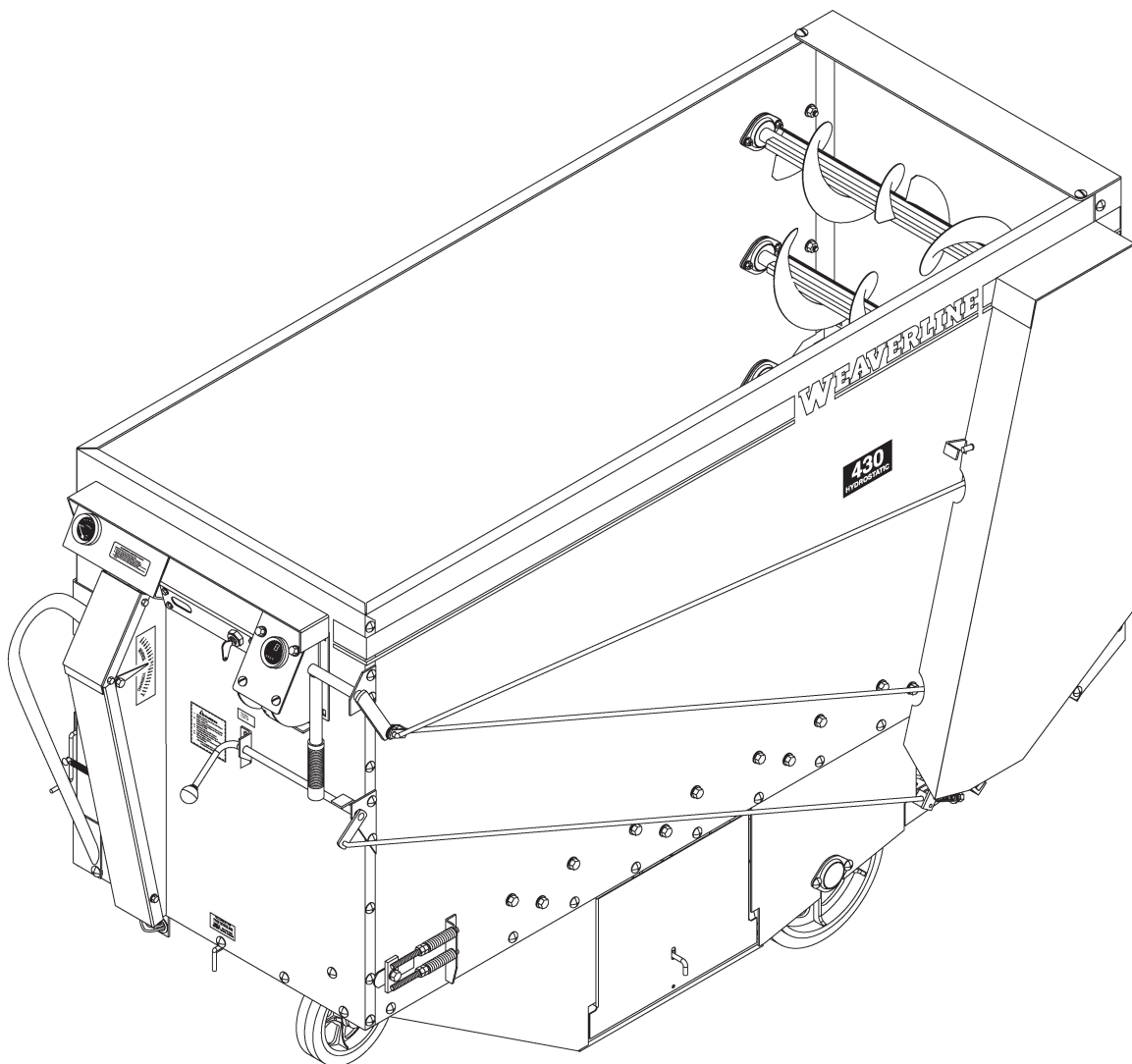


# BATTERY POWERED FEED CART

## PARTS MANUAL

FOR

MODELS 420, 424, 430 & 436



# WEAVERLINE

Churchtown, PA 17555

**SEPTEMBER 2002**

CAT.# PM420424430436-0902

# WEAVERLINE Warranty, Parts & Service

## WARRANTY

Weaverline battery power feed cart are designed and manufactured to high quality standards. Weaverline, LLC therefor guarantees this equipment to be free from defect in workmanship and materials for one (1) year from the date of purchase.

**This Warranty is further described as:**

- Full warranty on all parts for one (1) year from the date of purchase.
- The motor and hydrostatic transmission have a three (3) year Pro-Rata warranty.
- The batteries have a four (4) year Pro-Rata warranty.

**This warranty is for parts only. Warranty does not include labor.**

Misuse, abuse, misapplication, and unauthorized alterations will void this warranty.

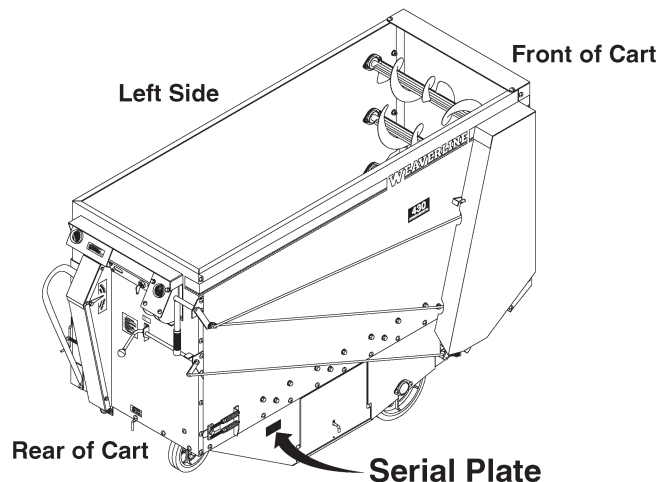
## PARTS AND SERVICE

Weaverline recommends going to your local Weaverline dealer when replacement parts and service are required. Weaverline dealers have experience in servicing these machines and stock most of the parts needed to keep your feed cart in working condition.

If you do not know who your local dealer is, or if your local dealer is unable to supply the parts that you need, please contact Weaverline, LLC, 180 Bootjack Road, Churchtown, PA 17555 Phone number 717-445-6724 for information on receiving parts and service.

## MODEL AND SERIAL NUMBERS

It is very important that the correct model and serial number is provided when ordering parts. The serial plate is located on the rear right corner of the undercarriage.



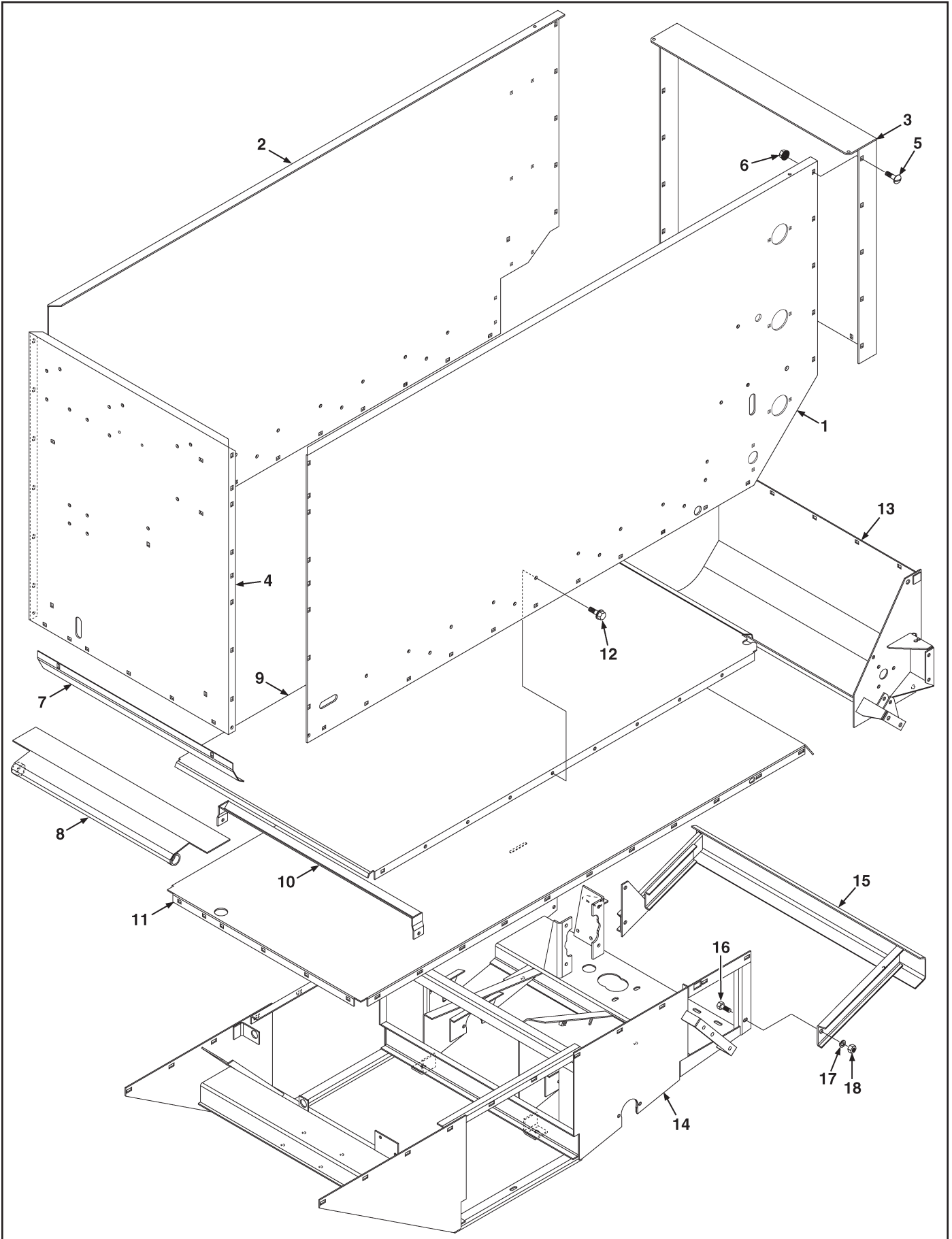
## NOTE:

Weaverline, LLC reserves the right to discontinue models at any time, change specifications, and improve design without incurring obligation on goods previously purchased and to discontinue supplying any part listed when the demand does not warrant production. However, Weaverline tries to supply original parts or a comparable replacement for at least ten (10) years after a model production is stopped.

# Parts List Index

**WEAVERLINE**

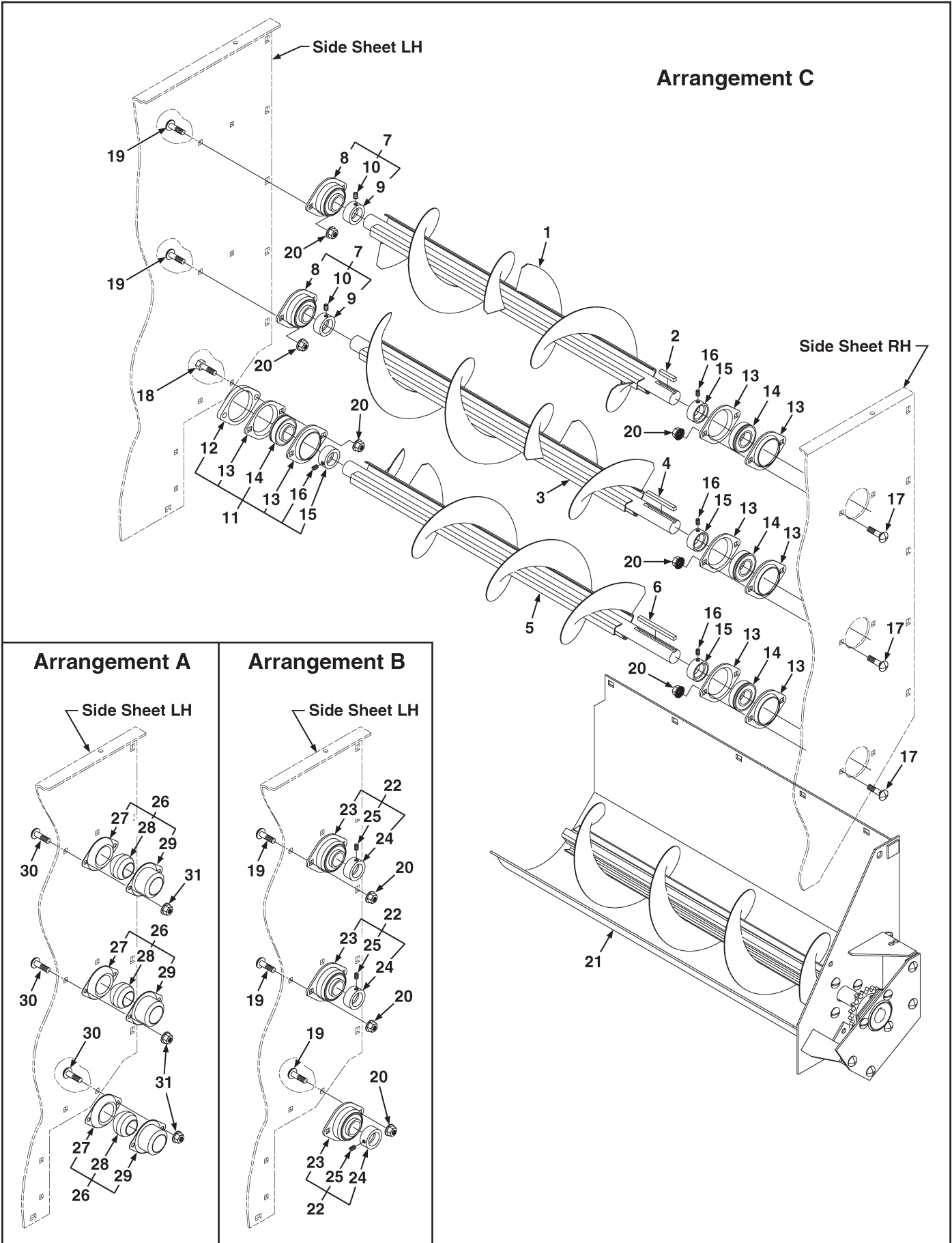
|            |   |    |
|------------|---|----|
| Figure 1.  | Box Assembly & Related Parts . . . . .                            | 3  |
| Figure 2.  | Augers, Bearings & Related Parts. . . . .                         | 5  |
| Figure 3.  | Trough, Auger & Related Parts . . . . .                           | 7  |
| Figure 4.  | Sprockets, Chain & Related Parts (Augers) . . . . .               | 9  |
| Figure 5.  | Connecting Rod, Ratchet & Related Parts . . . . .                 | 11 |
| Figure 6.  | Sheaves, Belts & Related Parts (Augers) . . . . .                 | 13 |
| Figure 7.  | Conveyor Chain Assembly & Related Parts . . . . .                 | 15 |
| Figure 8.  | Handle LH, Discharge Door & Related Parts . . . . .               | 19 |
| Figure 9.  | Shield Assembly & Related Parts . . . . .                         | 21 |
| Figure 10. | Control Supports & Related Parts . . . . .                        | 23 |
| Figure 11. | Control Panels & Related Parts. . . . .                           | 25 |
| Figure 12. | Loading Baffle/Rod, Beater Clutch, Cam Rods & Related Parts . . . | 27 |
| Figure 13. | Feeder Clutch Handle, Rod & Related Parts. . . . .                | 29 |
| Figure 14. | Gauges, Junction Block & Related Parts. . . . .                   | 31 |
| Figure 15. | Motor & Hydrostatic Transmission Mounting. . . . .                | 33 |
| Figure 16. | Hydraulic Oil Fill & Related Parts . . . . .                      | 35 |
| Figure 17. | Control Cable, Dump Valve & Related Parts. . . . .                | 37 |
| Figure 18. | Differential Mounting & Related Parts . . . . .                   | 39 |
| Figure 19. | Differential Assembly . . . . .                                   | 41 |
| Figure 20. | Drive Wheel Right Side & Related Parts . . . . .                  | 43 |
| Figure 21. | Drive Wheel Left Side & Related Parts . . . . .                   | 45 |
| Figure 22. | Caster Wheel & Related Parts. . . . .                             | 47 |
| Figure 23. | Solenoid, Circuit Breaker & Related Parts. . . . .                | 49 |
| Figure 24. | Battery Drawer, Batteries & Related Parts . . . . .               | 51 |
| Figure 25. | Decals . . . . .  | 53 |



**Figure 1. Box Assembly & Related Parts**

| ITEM | PART NUMBER | QTY | DESCRIPTION   |
|------|-------------|-----|---|
| 1    | 404-305     | 1   | Side Sheet RH, Models 420 & 424                                   |
|      | 404-305SSL  | 1   | Side Sheet RH, SS, Models 420 & 424                               |
|      | 404-523     | 1   | Side Sheet RH, Model 430  |
|      | 404-523SSL  | 1   | Side Sheet RH, SS, Model 430                                      |
|      | 404-626     | 1   | Side Sheet RH, SS, Model 436                                      |
| 2    | 404-327SSL  | 1   | Side Sheet LH, Models 420 & 424                                   |
|      | 404-524SSL  | 1   | Side Sheet LH, Model 430  |
|      | 404-627     | 1   | Side Sheet, LH, SS, Model 436                                     |
| 3    | 321-035     | 1   | Front Panel, Model 420  |
|      | 321-035SS   | 1   | Front Panel, SS, Model 420  |
|      | 404-432     | 1   | Front Panel, Models 424, 430 & 436, With Decals                   |
|      | 404-432SS   | 1   | Front Panel, SS, Models 424, 430 & 436, With Decals               |
| 4    | 321-165     | 1   | Rear Panel, Model 420   |
|      | 321-165SS   | 1   | Rear Panel, SS, Model 420   |
|      | 404-165     | 1   | Rear Panel, Models 424, 430 & 436                                 |
|      | 404-165SS   | 1   | Rear Panel, SS, Models 424, 430 & 436                             |
| 5    | 63-016      | AR  | Screw, Whiz, Truss Head, 5/16"-18UNC x 1/2" Long                  |
| 6    | 63-010      | AR  | Nut, Flange Hex, Whiz, 5/16"-18UNC                                |
| 7    | 321-565     | 1   | Corner Baffle, Model 420  |
|      | 321-565SS   | 1   | Corner Baffle, SS, Model 420                                      |
|      | 202-565     | 1   | Corner Baffle, Models 424, 430 & 436                              |
|      | 202-565SS   | 1   | Corner Baffle, SS, Models 424, 430 & 436                          |
| 8    | 321-818     | 1   | False End WA, Model 420   |
|      | 321-818SS   | 1   | False End WA, SS, Model 420                                       |
|      | 202-818     | 1   | False End WA, Models 424, 430 & 436                               |
|      | 202-818SS   | 1   | False End WA, SS, Models 424, 430 & 436                           |
| 9    | 321-046     | 1   | False Bottom, Model 420   |
|      | 321-046SS   | 1   | False Bottom, SS, Model 420                                       |
|      | 303-046     | 1   | False Bottom Kit, Model 424                                       |
|      | 303-046SS   | 1   | False Bottom Kit, SS, Model 424                                   |
|      | 303-031X1   | 1   | False Bottom Kit, Model 430                                       |
|      | 303-031SS   | 1   | False Bottom Kit, SS, Model 430                                   |
|      | 404-622     | 1   | False Bottom Kit, SS, Model 436                                   |
| 10   | 321-036SS   | AR  | Support, Floor, Model 420   |
|      | 303-036SS   | AR  | Support, Floor, Models 424, 430 & 436                             |
| 11   | 322-012     | 1   | Main Bottom, Model 420  |
|      | 322-012SS   | 1   | Main Bottom, SS, Model 420  |
|      | 404-304     | 1   | Main Bottom, Model 424  |
|      | 404-304SS   | 1   | Main Bottom, SS, Model 424  |
|      | 404-510     | 1   | Main Bottom, Model 430  |
|      | 404-510SS   | 1   | Main Bottom, SS, Model 430  |
| 12   | 404-608SS   | 1   | Main Bottom, SS, Model 436  |
| 12   | 63-026SS    | AR  | Bolt, Flanged Hex Head, SS, Self Tapping, 5/16"-18UNC x 1/2" Long |
| 13   | 321-002X2   | 1   | Trough WA, Model 420, See Breakdown                               |
|      | 303-041X2   | 1   | Trough WA, Models 424, 430 & 436, See Breakdown                   |
|      | 321-002X2SS | 1   | Trough WA, SS, Model 420, See Breakdown                           |
|      | 303-041SS   | 1   | Trough WA, SS, Models 424, 430 & 436, See Breakdown               |
| 14   | 321-045     | 1   | Undercarriage WA, Model 420                                       |
|      | 404-323     | 1   | Undercarriage WA, Model 424                                       |
|      | 404-518     | 1   | Undercarriage WA, Model 430                                       |
|      | 404-623     | 1   | Undercarriage WA, Model 436                                       |
| 15   | 322-079     | 1   | Bumper WA, Model 420  |
|      | 303-039     | 1   | Bumper WA, Model 424  |
|      | 404-519     | 1   | Bumper WA, Models 430 & 436                                       |
| 16   | 64-012      | 4   | Bolt, Hex Head, 3/8"-16UNC x 3/4" Long                            |
| 17   | 64-006      | 4   | Washer, Lock, 3/8"  |
| 18   | 64-009      | 4   | Nut, Hex, 3/8"-16UNC  |

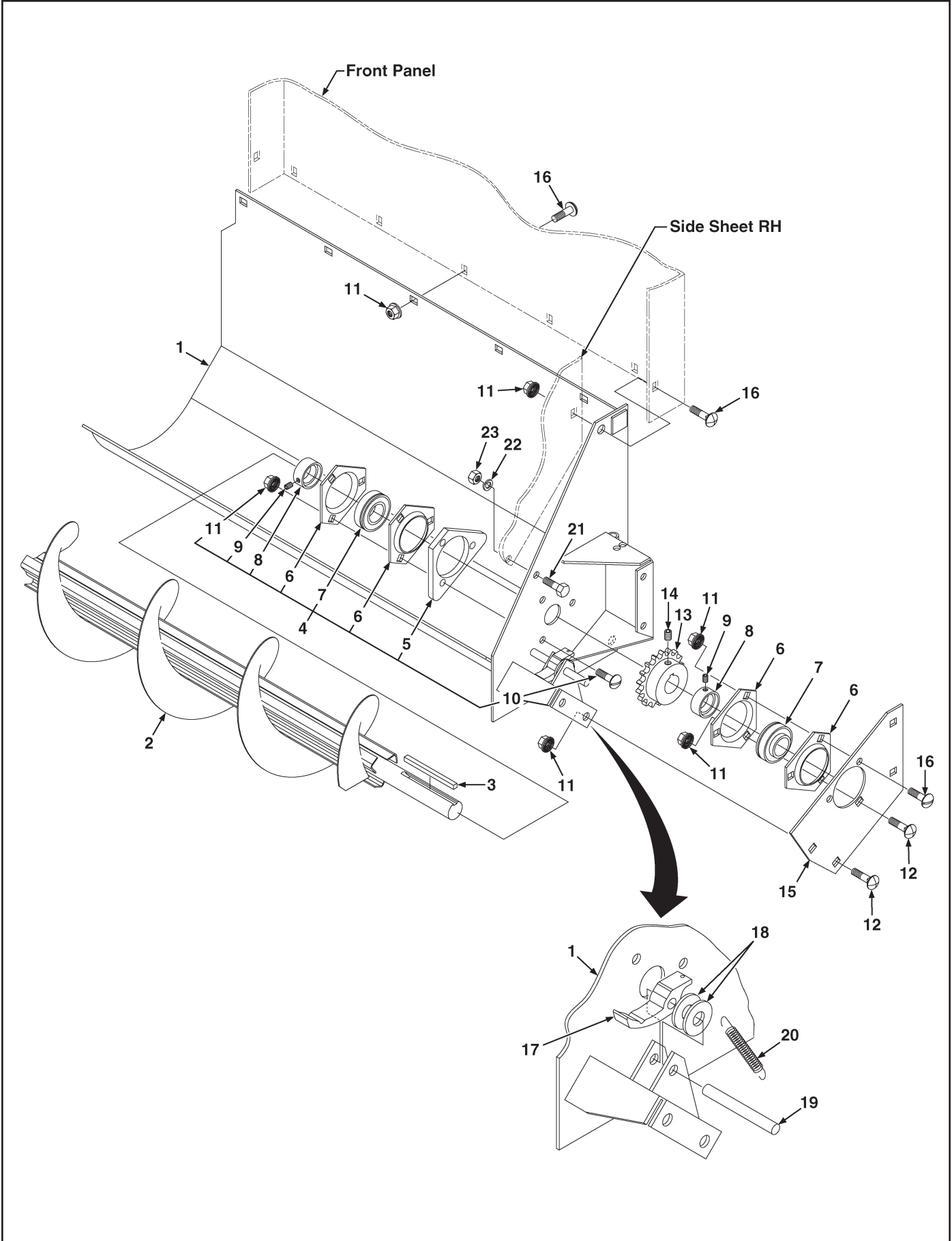
AR - As Required    NSS - Not Serviced Separately    ASN - After Serial No.    BSN - Before Serial No.    SN - Serial No.



**Figure 2. Augers, Bearings & Related Parts**

| ITEM | PART NUMBER | QTY | DESCRIPTION   |
|------|-------------|-----|---|
| 1    | 321-771     | 1   | Auger WA, Top, Model 420  |
|      | 202-771     | 1   | Auger WA, Top, Models 424, 430 & 436  |
|      | 321-771SSV  | 1   | Auger WA, Top, SS, Model 420  |
|      | 202-771SSV  | 1   | Auger WA, Top, SS, Models 424, 430 & 436  |
| 2    | 69-009      | 1   | Key, 1/4" Sq. x 1" Long   |
| 3    | 321-770     | 1   | Auger WA, Next to Top, Model 420  |
|      | 202-770     | 1   | Auger WA, Next to Top, Models 424, 430 & 436  |
|      | 321-700SSV  | 1   | Auger WA, Next to Top, SS, Model 420  |
|      | 202-770SSV  | 1   | Auger WA, Next to Top, SS, Models 424, 430 & 436  |
| 4    | 69-012      | 1   | Key, 1/4" Sq. x 2-3/8" Long   |
| 5    | 321-529     | 1   | Auger WA, Third from Top, Model 420   |
|      | 202-529     | 1   | Auger WA, Third from Top, Models 424, 430 & 436   |
|      | 321-529SSV  | 1   | Auger WA, Third from Top, SS, Model 420   |
|      | 202-529SSV  | 1   | Auger WA, Third from Top, SS, Models 424, 430 & 436   |
| 6    | 69-011      | 1   | Key, 1/4" Sq. x 3" Long   |
|      |             |     | Arrangement C, Left Side Only, Includes Items 7 thru 16   |
| 7    | 404-850     | 2   | Bearing Assembly, Includes Items 8 thru 10  |
| 8    | NSS         | 1   | Bearing   |
| 9    | NSS         | 1   | Collar  |
| 10   | NSS         | 1   | Setscrew  |
| 11   | 404-861     | 1   | Bearing Assembly, Includes Items 12 thru 16   |
| 12   | 404-859     | 1   | Spacer, 2 Hole  |
| 13   | 202-916     | 2   | Flangette, 2 Hole   |
| 14   | 202-915     | 1   | Bearing   |
| 15   | NSS         | 1   | Collar  |
| 16   | NSS         | 1   | Setscrew  |
| 17   | 63-031      | 6   | Bolt, Carriage, 5/16"-18UNC x 5/8" Long   |
| 18   | 63-034      | 2   | Bolt, Hex Head, Gr5, 5/16"-18UNC x 7/8" Long  |
| 19   | 63-016      | AR  | Screw, Whiz, Truss Head, 5/16"-18UNC x 1/2" Long  |
| 20   | 63-010      | 12  | Nut, Flange Hex, Whiz, 5/16"-18UNC  |
| 21   | 321-002X2   | 1   | Trough Assembly, Model 420, See Breakdown   |
|      | 303-041X2   | 1   | Trough Assembly, Models 424, 430 & 436, See Breakdown   |
|      | 321-002X2SS | 1   | Trough Assembly, SS, Model 420, See Breakdown   |
|      | 303-041X2SS | 1   | Trough Assembly, SS, Models 424, 430 & 436, See Breakdown   |
|      |             |     | Arrangement B, Left Side Only, Includes Items 22 thru 25  |
| 22   | 404-850     | 3   | Bearing Assembly, Includes Items 23 thru 25   |
| 23   | NSS         | 1   | Bearing   |
| 24   | NSS         | 1   | Collar  |
| 25   | NSS         | 1   | Setscrew  |
|      |             |     | Model 420, ASN-9511 - BSN-10635, Model 424, ASN-8920 - BSN-10721, Model 430, ASN-9406 - BSN-11154 & Model 436, ASN-8836 - BSN-10561 |
|      |             |     | Arrangement A, Left Side Only, Includes Items 26 thru 31  |
| 26   | 202-914     | 3   | Bearing Assembly, Includes Items 27 thru 31   |
| 27   | NSS         | 1   | Flangette, 2 Hole   |
| 28   | NSS         | 1   | Bearing   |
| 29   | NSS         | 1   | Flangette, 2 Hole   |
| 30   | 62-020      | 1   | Screw, Whiz, Truss Head, 1/4"-20UNC x 1/2" Long   |
| 31   | 62-002      | 1   | Nut, Flange Hex, Whiz, 1/4"-20UNC   |
|      |             |     | Model 420, BSN-9512, Model 424, BSN-8921<br>Model 430, BSN-9407 & Model 436, BSN-8837   |
|      | 404-860     | 1   | Kit, Spacer, 2 Hole & Hardware, Includes Items 12, 18 & 20  |

AR - As Required      NSS - Not Serviced Separately      ASN - After Serial No.      BSN - Before Serial No.      SN - Serial No.





**Figure 3. Trough, Auger & Related Parts**

| ITEM | PART NUMBER | QTY | DESCRIPTION  |
|------|-------------|-----|--|
|      | 321-040SS   | 1   | Kit, Trough SS, Auger HR & Bearings, Model 420   |
|      | 303-040SS   | 1   | Kit, Trough SS, Auger HR & Bearings, Models 424, 430 & 436                             |
|      | 321-040SSA  | 1   | Kit, Trough SS, Auger SS & Bearings, Model 420   |
|      | 303-040SSA  | 1   | Kit, Trough SS, Auger SS & Bearings, Models 424, 430 & 436                             |
|      | 321-040X1   | 1   | Kit, Trough HR, Auger HR & Bearings, Model 420   |
|      | 303-040X2   | 1   | Kit, Trough HR, Auger HR & Bearings, Models 424, 430 & 436                             |
|      |             |     | Includes Items 1 thru 12,<br>(Which Includes Both Inner & Outer Bearings & Flangettes) |
| 1    | 321-002X2   | 1   | Trough WA, HR, Model 420   |
|      | 303-041X2   | 1   | Trough WA, HR, Models 424, 430 & 436   |
|      | 321-002X2SS | 1   | Trough WA, SS, Model 420   |
|      | 303-041SS   | 1   | Trough WA, SS, Models 424, 430 & 436   |
| 2    | 321-033     | 1   | Auger WA, Bottom, HR, Model 420  |
|      | 303-033     | 1   | Auger WA, Bottom, HR, Models 424, 430 & 436  |
|      | 321-033SS   | 1   | Auger WA, Bottom, SS, Model 420  |
|      | 303-033SSV  | 1   | Auger WA, Bottom, SS, Models 424, 430 & 436  |
| 3    | 69-009      | 1   | Key, 1/4" Sq. x 1" Long  |
| 4    | 404-864     | 1   | Bearing Assembly, Includes Items 5 thru 9, 10 Qty 3 & 11 Qty 3                         |
| 5    | 404-862     | 1   | Spacer, 3 Hole   |
| 6    | 202-949     | 2   | Flangette, 3 Hole  |
| 7    | 202-915     | 1   | Bearing, Ball, 1", Includes Items 8 & 9  |
| 8    | NSS         | 1   | Collar   |
| 9    | NSS         | 1   | Setscrew   |
| 10   | 63-036      | 3   | Screw, Whiz, Truss Head, 5/16"-18UNC x 1" Long   |
| 11   | 63-010      | AR  | Nut, Flange Hex, Serrated, 5/16"-18UNC   |
| 12   | 63-009      | AR  | Bolt, Carriage, 5/16"-18UNC x 3/4" Long  |
| 13   | 202-908     | 1   | Sprocket, 18 Teeth, Includes Item 14   |
| 14   | NSS         | 1   | Setscrew   |
| 15   | 202-520     | 1   | Plate, Bearing   |
| 16   | 63-016      | AR  | Screw, Whiz, Truss Head, 5/16"-18UNC x 1/2" Long                                       |
| 17   | 202-476X3   | 1   | Pawl   |
| 18   | 64-011      | AR  | Washer, Flat, 3/8" SAE   |
| 19   | 202-891X1   | 1   | Pin, 3/8" Dia. x 3-1/8" Long   |
| 20   | 202-933A    | 1   | Spring, Holding Pawl   |
| 21   | 64-012      | 1   | Bolt, Hex Head, 3/8"-16UNC x 3/4" Long   |
| 22   | 64-006      | 1   | Washer, Lock, 3/8"   |
| 23   | 64-009      | 1   | Nut, Hex, 3/8"-16UNC   |
|      | 404-863     | 1   | Kit, Spacer, 3 Hole & Hardware, Includes Items 5, 10 & 11                              |

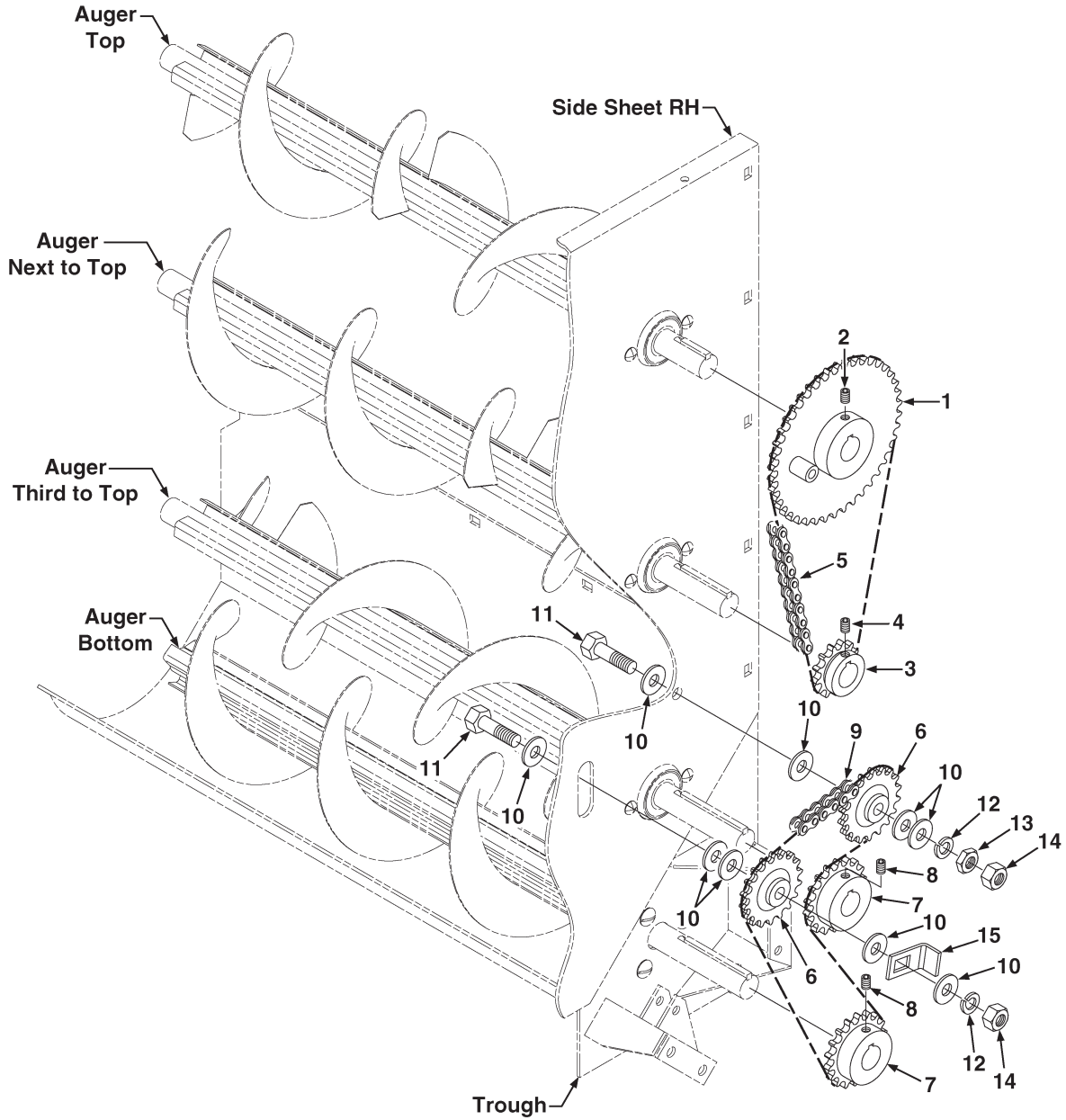
AR - As Required

NSS - Not Serviced Separately

ASN - After Serial No.

BSN - Before Serial No.

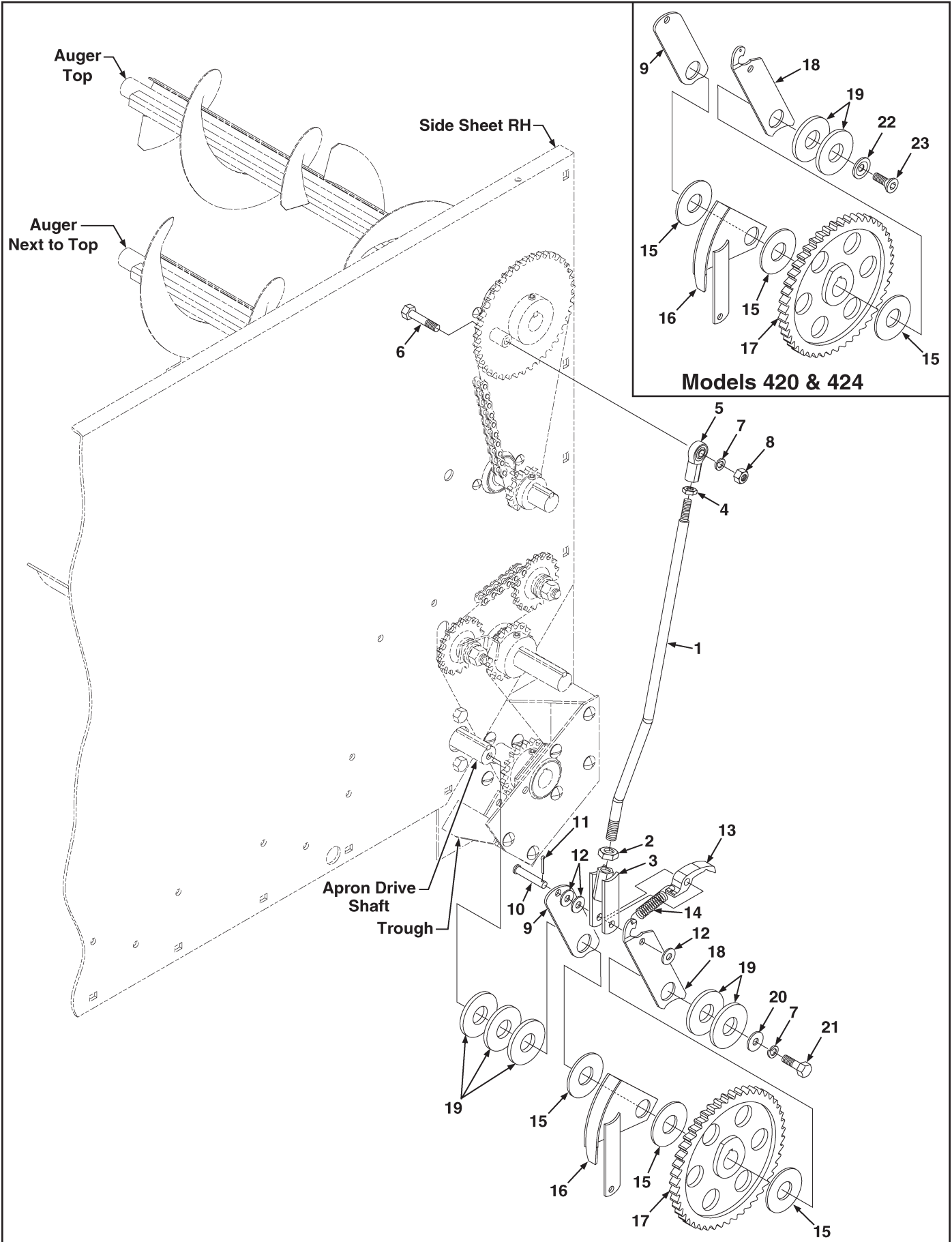
SN - Serial No.



**Figure 4. Sprockets, Chain & Related Parts (Augers)**

| ITEM | PART NUMBER | QTY | DESCRIPTION                            |
|------|-------------|-----|--|
| 1    | 202-562     | 1   | Sprocket WA, 42 Teeth, Includes Item 2 |
| 2    | NSS         | 1   | Setscrew                               |
| 3    | 202-909     | 1   | Sprocket, 13 Teeth, Includes Item 4    |
| 4    | NSS         | 1   | Setscrew                               |
| 5    | 202-840     | 1   | Chain, #40 - 70 Pitches                |
| 6    | 202-906     | 2   | Sprocket, Idler                        |
| 7    | 202-908     | 2   | Sprocket, 18 Teeth, Includes Item 8    |
| 8    | NSS         | 1   | Setscrew                               |
| 9    | 202-510     | 1   | Chain, #40 - 80 Pitches                |
| 10   | 65-004      | 8   | Washer, USS, 1/2"                      |
| 11   | 65-002      | 1   | Bolt, Hex Head, 1/2"-13UNC x 2" Long   |
| 12   | 65-003      | 2   | Washer, Lock 1/2"                      |
| 13   | 65-008      | 2   | Nut, Hex, Jam, 1/2"-13UNC              |
| 14   | 65-001      | 2   | Nut, Hex, 1/2"-13UNC                   |
| 15   | 202-586     | 1   | Guide, Belt                            |

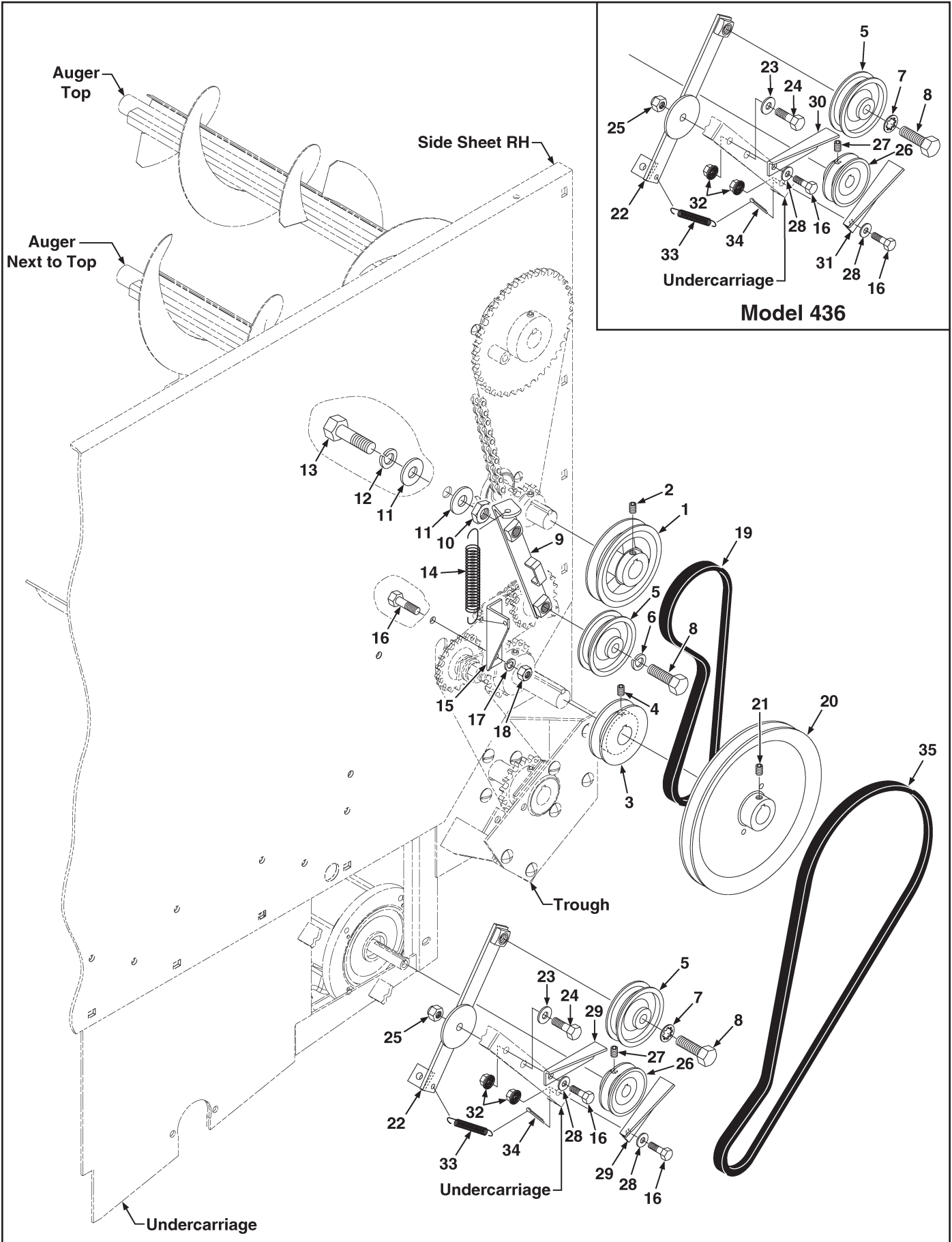
AR - As Required      NSS - Not Serviced Separately      ASN - After Serial No.      BSN - Before Serial No.      SN - Serial No.



**Figure 5. Connecting Rod, Ratchet & Related Parts**

| ITEM | PART NUMBER | QTY | DESCRIPTION                                    |
|------|-------------|-----|--|
| 1    | 202-987     | 1   | Rod, Connecting                                |
| 2    | 65-008      | 1   | Nut, Hex, Jam, 1/2"-13UNC                      |
| 3    | 202-986     | 1   | Yoke WA, Connecting Rod                        |
| 4    | 64-007      | 1   | Nut, Hex, Jam, 3/8"-24UNF                      |
| 5    | 202-911     | 1   | Bearing, Rod End                               |
| 6    | 64-013      | 1   | Bolt, Hex Head, 3/8"-16UNC x 2-1/4" Long       |
| 7    | 64-006      | 1   | Washer, Lock, 3/8"                             |
| 8    | 64-009      | 1   | Nut, Hex, 3/8"-16UNC                           |
| 9    | 202-728     | 1   | Link, Inside                                   |
| 10   | 202-888X2   | 1   | Pin, Clevis, Hardened, 3/8" Dia. x 1-3/8" Long |
| 11   | 61-001      | 1   | Pin, Cotter, 1/8" Dia. x 3/4" Long             |
| 12   | 64-005      | 3   | Washer, USS, 3/8"                              |
| 13   | 202-476X3   | 1   | Pawl   |
| 14   | 202-932B    | 1   | Spring, Drive Pawl                             |
| 15   | 68-002      | AR  | Washer, Flat, 1" x 1/16" Thick                 |
| 16   | 202-727X1   | 1   | Cam WA   |
| 17   | 202-751     | 1   | Ratchet  |
| 18   | 202-819X1   | 1   | Link, Outside                                  |
| 19   | 68-001      | 3   | Washer, Flat, 1" x 1/8" Thick                  |
| 20   | 202-518     | 1   | Washer, Flat, Special, 3/8"                    |
| 21   | 64-003      | 1   | Bolt, Hex Head, 3/8"-16UNC x 1" Long           |
| 22   | 202-378     | 1   | Washer, Flat, Special, 3/8"                    |
| 23   | 64-018      | 1   | Screw, Flat Head, 3/8"-16UNC x 3/4" Long       |

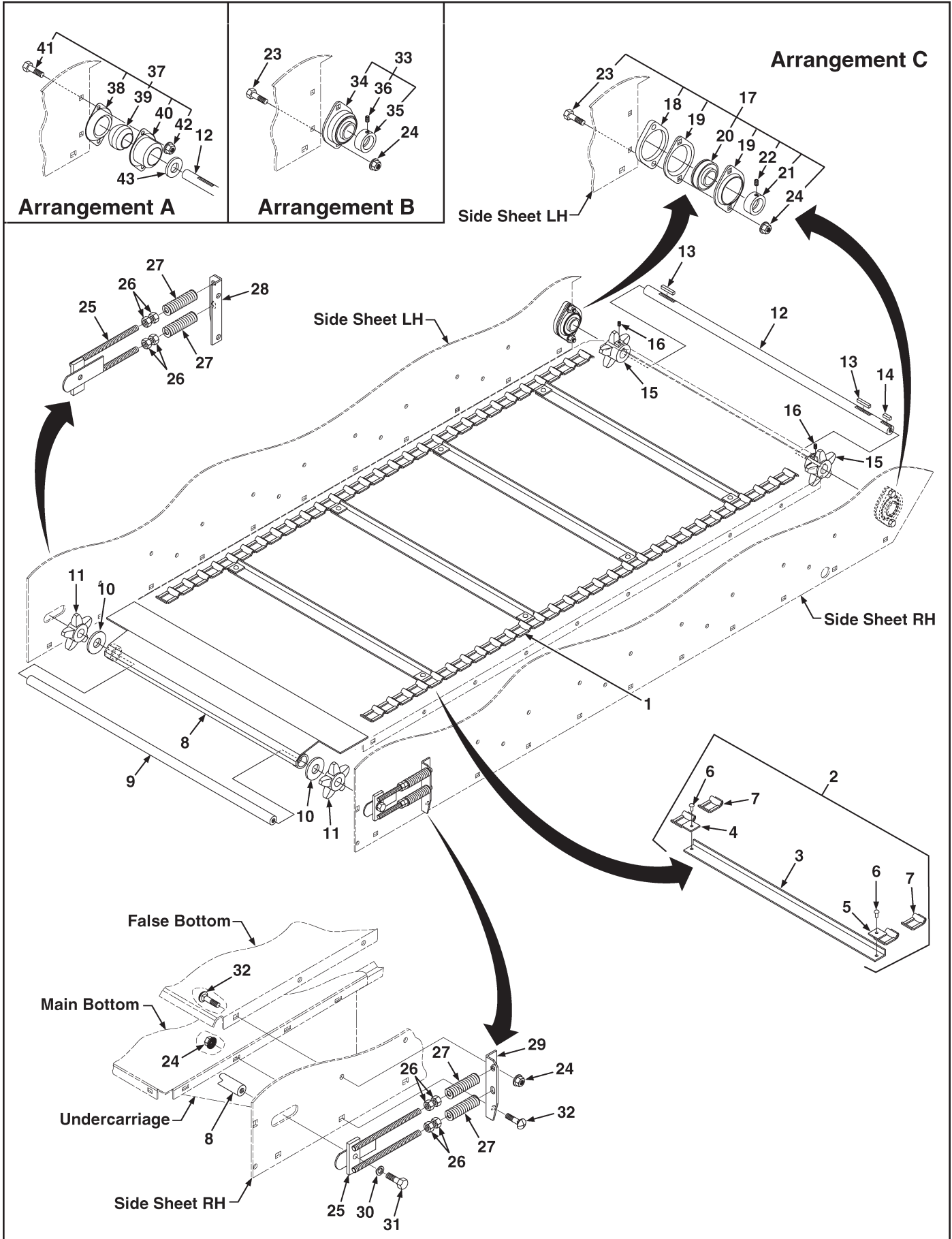
AR - As Required      NSS - Not Serviced Separately      ASN - After Serial No.      BSN - Before Serial No.      SN - Serial No.



**Figure 6. Sheaves, Belts & Related Parts**

| ITEM | PART NUMBER | QTY | DESCRIPTION                                     |
|------|-------------|-----|---|
| 1    | 202-905     | 1   | Sheave, 1" Bore x 4-1/2" OD, Includes Item 2    |
| 2    | NSS         | 1   | Setscrew  |
| 3    | 202-904     | 1   | Sheave, 1" Bore x 3-1/4" OD, Includes Item 4    |
| 4    | NSS         | 1   | Setscrew  |
| 5    | 202-926     | 2   | Sheave, Idler                                   |
| 6    | 65-016      | 1   | Washer, Lock, Internal Teeth, 1/2"              |
| 7    | 65-003      | 1   | Washer, Lock, 1/2"                              |
| 8    | 65-011      | 2   | Bolt, Hex Head, 1/2"-13UNC x 1-3/4" Long        |
| 9    | 202-490     | 1   | Arm, Beater Clutch                              |
| 10   | 65-008      | 1   | Nut, Hex, Jam, 1/2"-13UNC                       |
| 11   | 65-014      | 2   | Washer, Flat, 1/2"                              |
| 12   | 65-003      | 1   | Washer, Lock, 1/2"                              |
| 13   | 65-010      | 1   | Bolt, Hex Head, 1/2"-13UNC x 1-1/2" Long        |
| 14   | 202-674     | 1   | Spring, Beater Clutch                           |
| 15   | 202-502     | 1   | Anchor, Spring                                  |
| 16   | 63-003      | 3   | Bolt, Hex Head, 5/16"-18UNC x 3/4" Long         |
| 17   | 63-006      | 1   | Washer, Lock, 5/16"                             |
| 18   | 63-007      | 1   | Nut, Hex, 5/16"-18UNC                           |
| 19   | 202-922     | 1   | Belt, 4L340                                     |
| 20   | 202-446A    | 1   | Sheave, 1" Bore x 8-1/2" OD, Includes Item 21   |
| 21   | NSS         | 2   | Setscrew  |
| 22   | 322-083     | 1   | Clutch WA, Feeder, Model 420                    |
|      | 202-487     | 1   | Clutch WA, Feeder, Models 424 & 430             |
|      | 404-632     | 1   | Clutch WA, Feeder, Model 436                    |
| 23   | 64-011      | 1   | Washer, Flat, 3/8" SAE                          |
| 24   | 64-001      | 1   | Bolt, Hex Head, 3/8"-16UNC x 1-1/4" Long        |
| 25   | 64-002      | 1   | Nut, Hex, Lock, Nylon Insert, 3/8"-16UNC        |
| 26   | 202-584     | 1   | Sheave, 5/8" Bore x 2-3/4" OD, Includes Item 27 |
| 27   | NSS         | 1   | Setscrew  |
| 28   | 63-005      | AR  | Washer, Flat, 5/16" SAE                         |
| 29   | 202-528     | 2   | Guide, Belt, Feeder, Models 420, 424 & 430      |
| 30   | 404-629     | 1   | Guide, Belt, Feeder, Upper, Model 436           |
| 31   | 404-630     | 1   | Guide, Belt, Feeder, Lower, Model 436           |
| 32   | 63-010      | 2   | Nut, Flange Hex, Whiz, 5/16"-18UNC              |
| 33   | 202-933     | 1   | Spring  |
| 34   | 61-007      | 1   | Pin, Cotter, 3/16" Dia. x 3/4" Long             |
| 35   | 202-407     | 1   | Belt, 4L470, Models 420 & 424                   |
|      | 202-699     | 1   | Belt, 4L500, Model 430                          |
|      | 404-602     |     | Belt, 4L570, Model 436                          |

AR - As Required      NSS - Not Serviced Separately      ASN - After Serial No.      BSN - Before Serial No.      SN - Serial No.

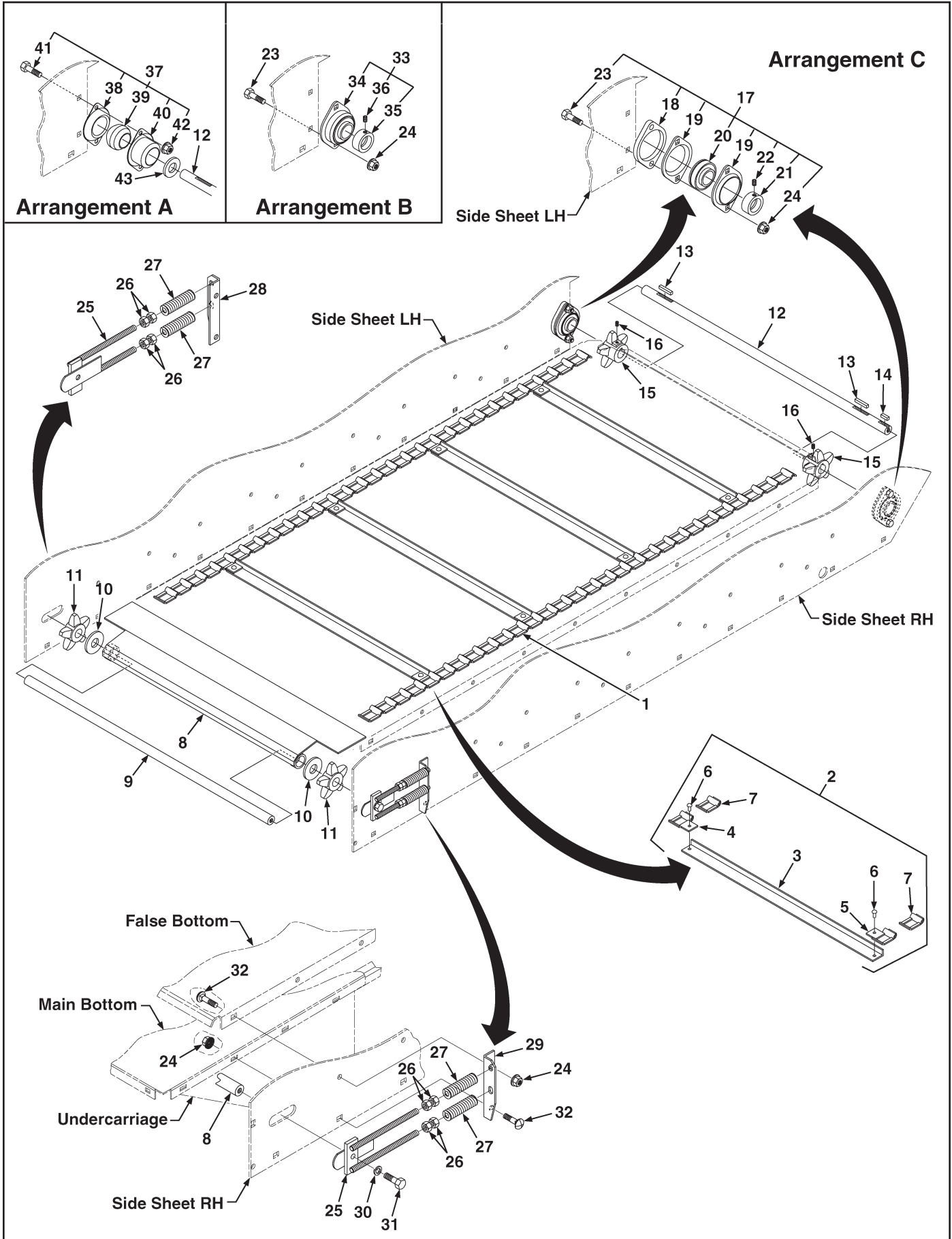




**Figure 7. Conveyor Chain Assembly & Related Parts**

| ITEM | PART NUMBER | QTY | DESCRIPTION  |
|------|-------------|-----|--|
| 1    | 321-822     | 1   | Conveyor Chain, Model 420  |
|      | 321-822SS   | 1   | Conveyor Chain, SS Slat, Model 420                               |
|      | 202-822     | 1   | Conveyor Chain, Model 424  |
|      | 202-822SS   | 1   | Conveyor Chain, SS Slat, Model 424                               |
|      | 202-501     | 1   | Conveyor Chain, Model 430  |
|      | 202-501SS   | 1   | Conveyor Chain, SS Slat, Model 430                               |
|      | 404-601     | 1   | Conveyor Chain, Model 436  |
|      | 404-601SS   | 1   | Conveyor Chain, SS Slat, Model 436                               |
|      |             |     | Includes Items 2 thru 7  |
| 2    | 321-977     | AR  | Slat & Link Unit, Model 420                                      |
|      | 321-977SS   | AR  | Slat & Link Unit, SS Model 420                                   |
|      | 202-977     | AR  | Slat & Link Unit, Models 424, 430 & 436                          |
|      | 202-977SS   | AR  | Slat & Link Unit, SS, Models 424, 430 & 436                      |
| 3    | 321-781     | AR  | Slat, Model 420  |
|      | 321-781SS   | AR  | Slat, SS, Model 420  |
|      | 202-781     | AR  | Slat, Models 424, 430 & 436                                      |
|      | 202-781SS   | AR  | Slat, SS, Models 424, 430 & 436                                  |
| 4    | 202-968     | AR  | Link, Attachment, LH, #55 AIL                                    |
| 5    | 202-969     | AR  | Link, Attachment, RH, #55 AIR                                    |
| 6    | 62-005      | AR  | Rivet, Truss Head, 1/4" Dia. x 1/2" Long                         |
| 7    | 202-970     | AR  | Link, Plain, #55   |
| 8    | 321-818     | 1   | False End Kit, Model 420   |
|      | 321-818SS   | 1   | False End Kit, SS, Model 420                                     |
|      | 202-818     | 1   | False End Kit, Models, 424, 430 & 436                            |
|      | 202-818SS   | 1   | False End Kit, SS, Models, 424, 430 & 436                        |
| 9    | 321-734     | 1   | Shaft, Rear Apron, Model 420                                     |
|      | 202-734     | 1   | Shaft, Rear Apron, Models 424, 430 & 436                         |
| 10   | 67-001      | 2   | Washer, SAE, 3/4"  |
| 11   | 202-757     | 2   | Sprocket, Rear, Apron Idler                                      |
| 12   | 321-379     | 1   | Shaft, Apron Drive, Model 420                                    |
|      | 202-379     | 1   | Shaft, Apron Drive, Model 424                                    |
|      | 202-721     | 1   | Shaft, Apron Drive, Models 430 & 436                             |
| 13   | 69-007      | 2   | Key, 1/4" Sq. x 1-3/8" Long                                      |
| 14   | 69-008      | 1   | Key, 1/4" Sq. x 3/4" Long  |
| 15   | 202-756     | 2   | Sprocket, Apron Drive, Includes Item 16, Replaced as Set Only    |
| 16   | NSS         | 1   | Setscrew   |
|      |             |     | Arrangement C, Includes Items 17 thru 224                        |
| 17   | 404-861     | 2   | Bearing Assembly, Includes Items 18 thru 22, 23 Qty 2 & 24 Qty 2 |
| 18   | 404-859     | 1   | Spacer, 2 Hole   |
| 19   | 202-916     | 2   | Flangette, 2 Hole  |
| 20   | 202-915     | 1   | Bearing, Ball, 1" Includes Items 21 & 22                         |
| 21   | NSS         | 1   | Collar   |
| 22   | NSS         | 1   | Setscrew   |
| 23   | 63-034      | 4   | Bolt, Hex Head, Gr5, 5/16"-18UNC x 7/8" Long                     |
| 24   | 63-010      | 8   | Nut, Flange Hex, Whiz, 5/16"-18UNC                               |
| 25   | 303-042     | 2   | Bracket, Tightener, WA   |
| 26   | 64-009      | 4   | Nut, Hex, 3/8"-16UNC   |
| 27   | 202-503     | 4   | Spring, Apron  |
|      | 404-860     | 1   | Kit, Spacer, 2 Hole & Hardware, Includes Items 18, 23 & 24       |

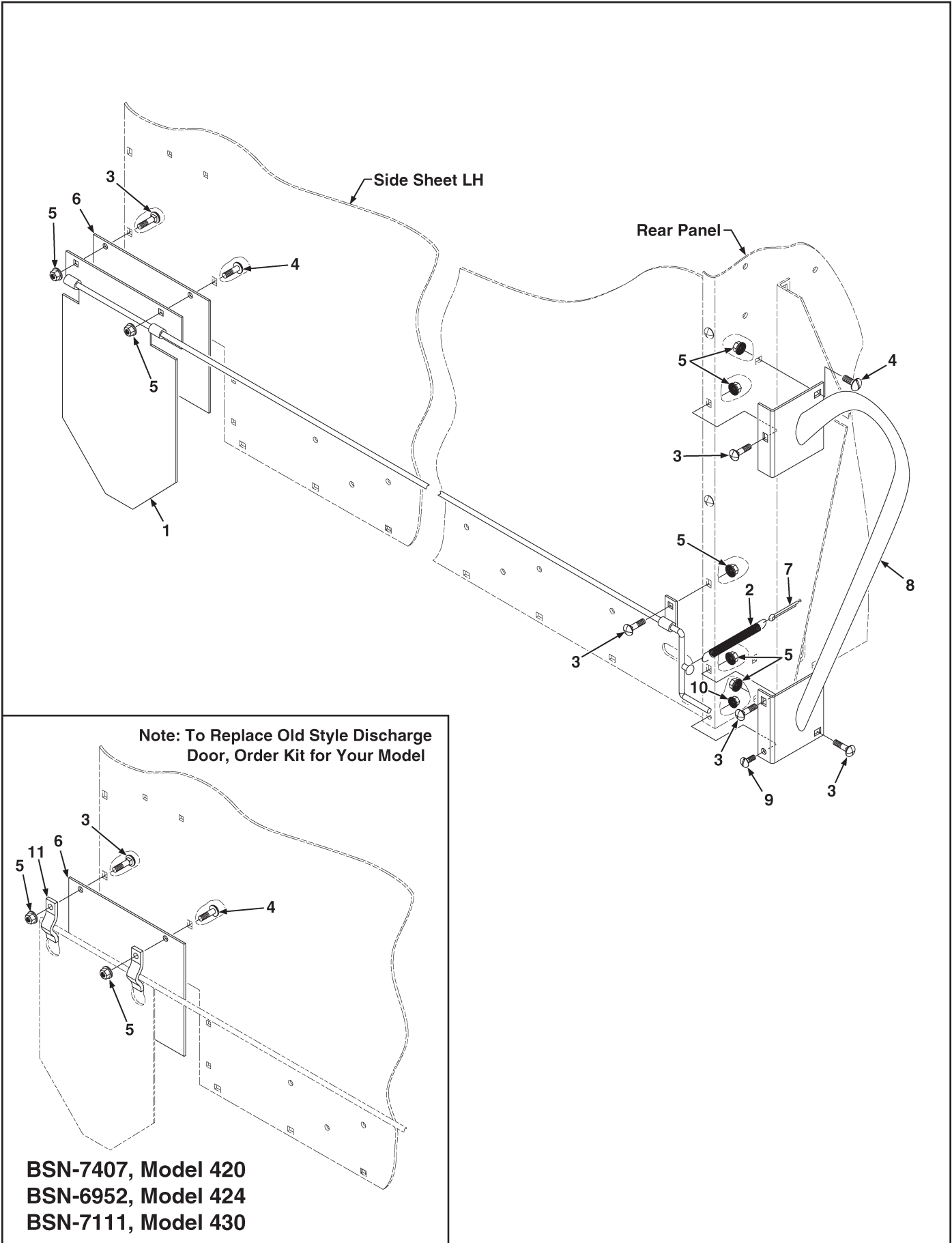
AR - As Required    NSS - Not Serviced Separately    ASN - After Serial No.    BSN - Before Serial No.    SN - Serial No.



**Figure 7. Conveyor Chain Assembly & Related Parts**

| ITEM | PART NUMBER | QTY | DESCRIPTION  |
|------|-------------|-----|--|
| 28   | 303-044     | 1   | Bracket, LH  |
| 29   | 303-043     | 1   | Bracket, RH  |
| 30   | 64-006      | 2   | Washer, Lock, 3/8"   |
| 31   | 64-003      | 2   | Bolt, Hex Head, 3/8"-16UNC x 1" Long   |
| 32   | 63-009      | 4   | Bolt, Carriage, 5/16"-18UNC x 3/4" Long  |
|      |             |     | Arrangement B, Includes Items 33 thru 36   |
| 33   | 404-850     | 3   | Bearing Assembly, Includes Items 34 thru 36  |
| 34   | NSS         | 1   | Bearing  |
| 35   | NSS         | 1   | Collar   |
| 36   | NSS         | 1   | Setscrew   |
|      |             |     | Model 420, ASN-9511 - BSN-10635, Model 424, ASN-8920 - BSN-10721,<br>Model 430, ASN-9406 - BSN-11154 & Model 436, ASN-8836 - BSN-10561 |
|      |             |     | Arrangement A, Includes Items 37 thru 42   |
| 37   | 202-914     | 3   | Bearing Assembly, Bronze, Includes Items 38 thru 42  |
| 38   | NSS         | 1   | Flangette, 2 Hole  |
| 39   | NSS         | 1   | Bearing  |
| 40   | NSS         | 1   | Flangette, 2 Hole  |
| 41   | 62-020      | 1   | Screw, Whiz, Truss Head, 1/4"-20UNC x 1/2" Long  |
| 42   | 62-002      | 1   | Nut, Flange Hex, Whiz, 1/4"-20UNC  |
| 43   | 202-889     | AR  | Washer, Flat, 1" ID x 1-1/2" OD x 18 Gauge   |
|      |             |     | Model 420, BSN-9512, Model 424, BSN-8921<br>Model 430, BSN-9407 & Model 436, BSN-8837  |

AR - As Required      NSS - Not Serviced Separately      ASN - After Serial No.      BSN - Before Serial No.      SN - Serial No.



**Figure 8. Handle LH, Discharge Door & Related Parts**

| ITEM | PART NUMBER | QTY | DESCRIPTION                                      |
|------|-------------|-----|--|
|      | 90-009B     | 1   | Kit, Discharge Door, Models 420 & 424            |
|      | 90-010B     | 1   | Kit, Discharge Door, Model 430                   |
|      | 90-049      | 1   | Kit, Discharge Door, Model 436                   |
|      |             |     | Includes Items 1 thru 5                          |
| 1    | 404-329     | 1   | Door WA, Discharge, Models 420 & 424             |
|      | 404-526     | 1   | Door WA, Discharge, Model 430                    |
|      | 404-624     | 1   | Door WA, Discharge, Model 436                    |
| 2    | 202-934     | 1   | Spring, Discharge Door                           |
| 3    | 63-009      | AR  | Bolt, Carriage, 5/16"-18UNC x 3/4" Long          |
| 4    | 63-016      | AR  | Screw, Whiz, Truss Head, 5/16"-18UNC x 1/2" Long |
| 5    | 63-010      | AR  | Nut, Flange Hex, Whiz, 5/16"-18UNC               |
| 6    | 303-012X1   | 1   | Deflector  |
| 7    | 61-001      | 1   | Pin, Cotter, 1/8" Dia. x 3/4" Long               |
| 8    | 404-256     | 1   | Handle WA, LH                                    |
| 9    | 62-020      | 1   | Screw, Whiz, Truss Head, 1/4"-20UNC x 1/2" Long  |
| 10   | 62-002      | 1   | Nut, Flange Hex, Whiz, 1/4"-20UNC                |
| 11   | 404-182     | 2   | Bracket, Discharge Door                          |

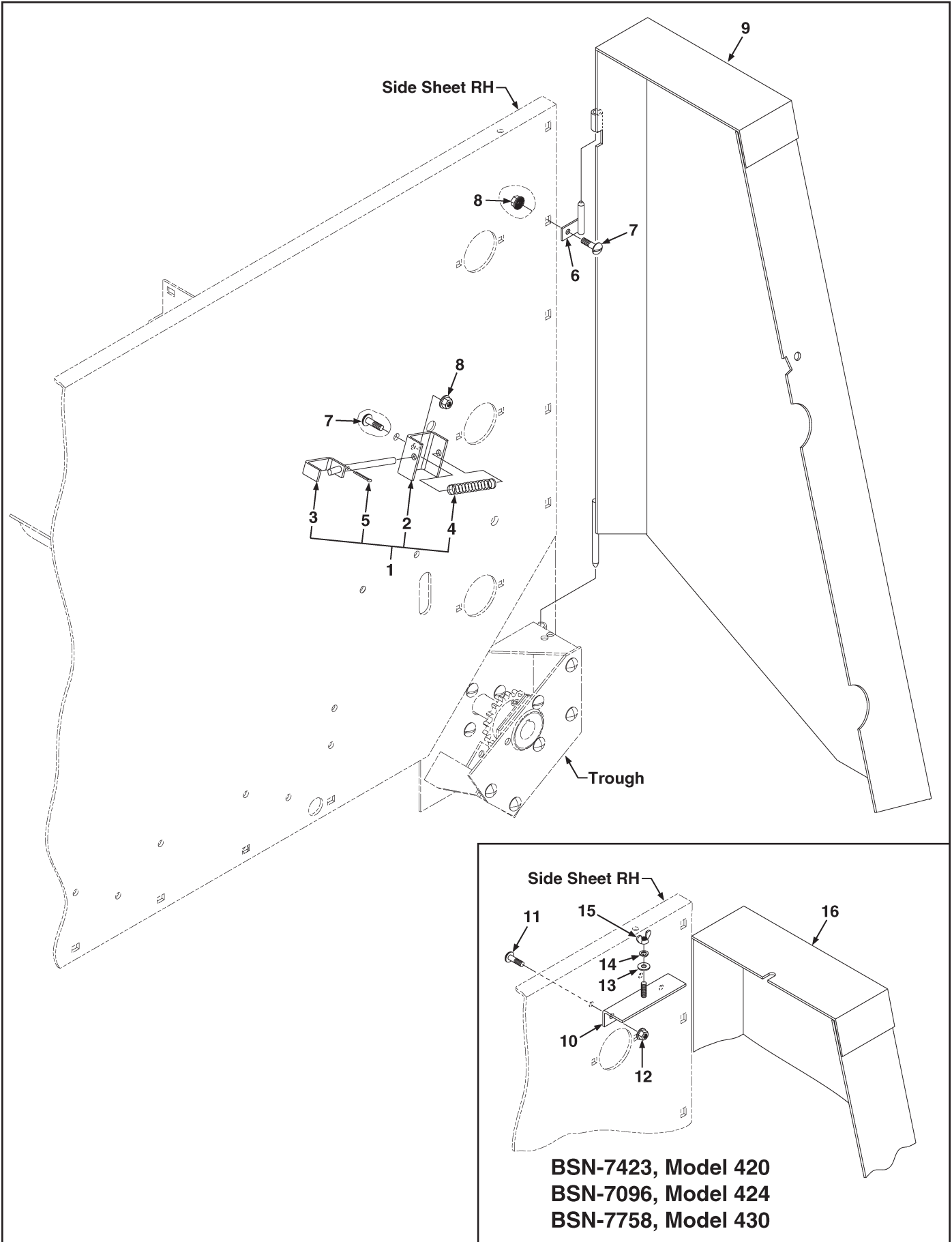
AR - As Required

NSS - Not Serviced Separately

ASN - After Serial No.

BSN - Before Serial No.

SN - Serial No.



**Figure 9. Shield Assembly & Related Parts**

| ITEM | PART NUMBER | QTY | DESCRIPTION  |
|------|-------------|-----|--|
|      | 90-023      | 1   | Kit, Shield Assembly, Models 420, 424 & 430, Includes Items 1 thru 9 |
|      | 90-075      | 1   | Kit, Shield Assembly, Model 436, Includes Items 1 thru 9             |
| 1    | 404-237     | 1   | Latch Assembly, Includes Items 2 thru 5                              |
| 2    | 404-229     | 1   | Bracket, Mounting  |
| 3    | 404-264     | 1   | Latch WA   |
| 4    | 202-561     | 1   | Spring, Latch  |
| 5    | 61-002      | 1   | Pin, Cotter, 3/32" Dia. x 5/8" Long                                  |
| 6    | 404-263     | 1   | Hinge, Top, Shield   |
| 7    | 63-016      | AR  | Screw, Whiz, Truss Head, 5/16"-18UNC x 1/2" Long                     |
| 8    | 63-010      | AR  | Nut, Flange Hex, Whiz, 5/16"-18UNC                                   |
| 9    | 404-261     | 1   | Shield WA, Models 420, 424 & 430                                     |
|      | 404-631     | 1   | Shield WA, Model 436   |
| 10   | 202-576     | 1   | Bracket, Shield  |
| 11   | 62-020      | 2   | Screw, Whiz, Truss Head, 1/4"-20UNC x 1/2" Long                      |
| 12   | 62-002      | 2   | Nut, Flange Hex, Whiz, 1/4"-20UNC                                    |
| 13   | 62-012      | 1   | Washer, Flat, 1/4" SAE   |
| 14   | 62-006      | 1   | Washer, Lock, 1/4"   |
| 15   | 62-004      | 1   | Nut, Wing, 1/4"-20UNC  |
| 16   | 202-570     | 1   | Shield WA  |

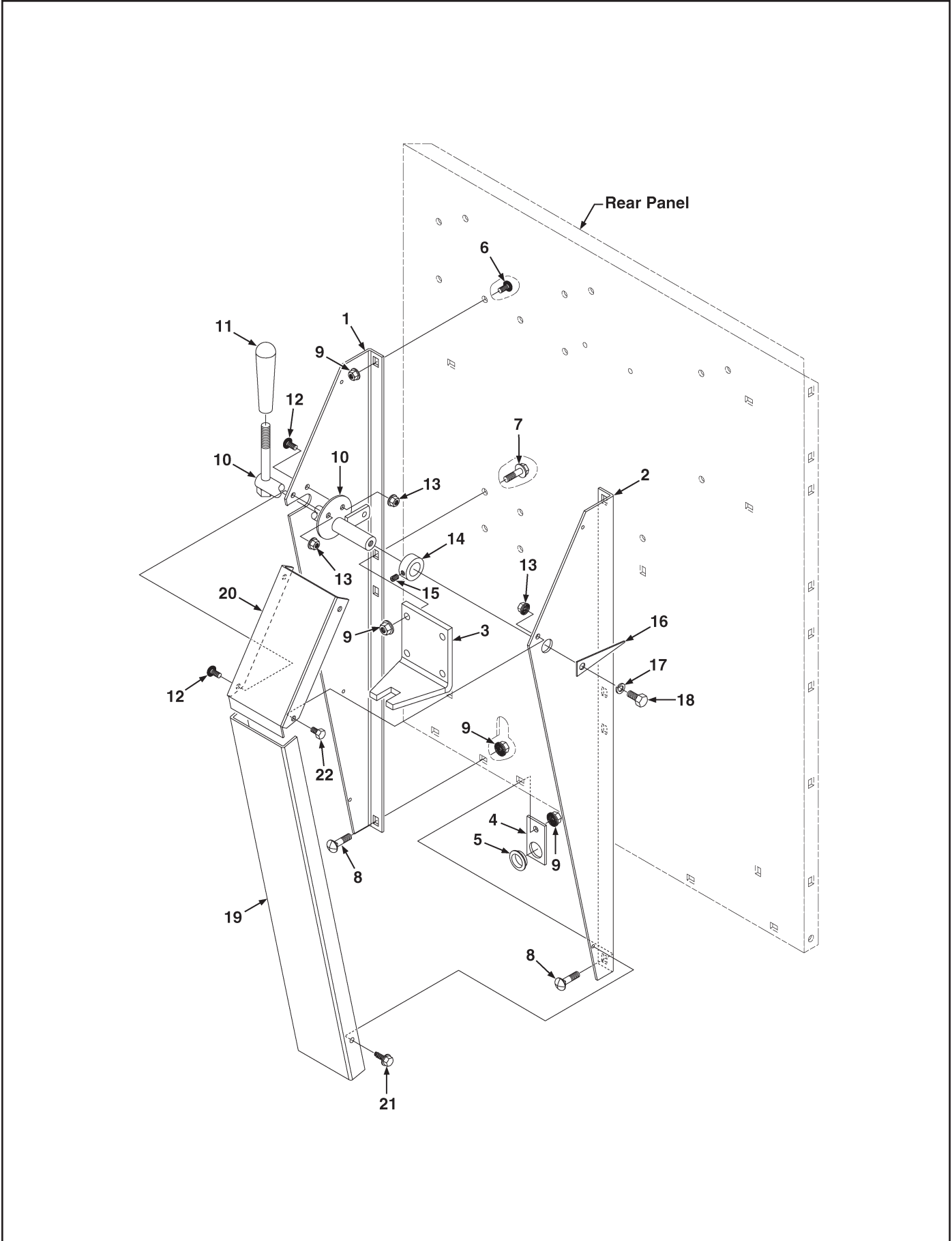
AR - As Required

NSS - Not Serviced Separately

ASN - After Serial No.

BSN - Before Serial No.

SN - Serial No.

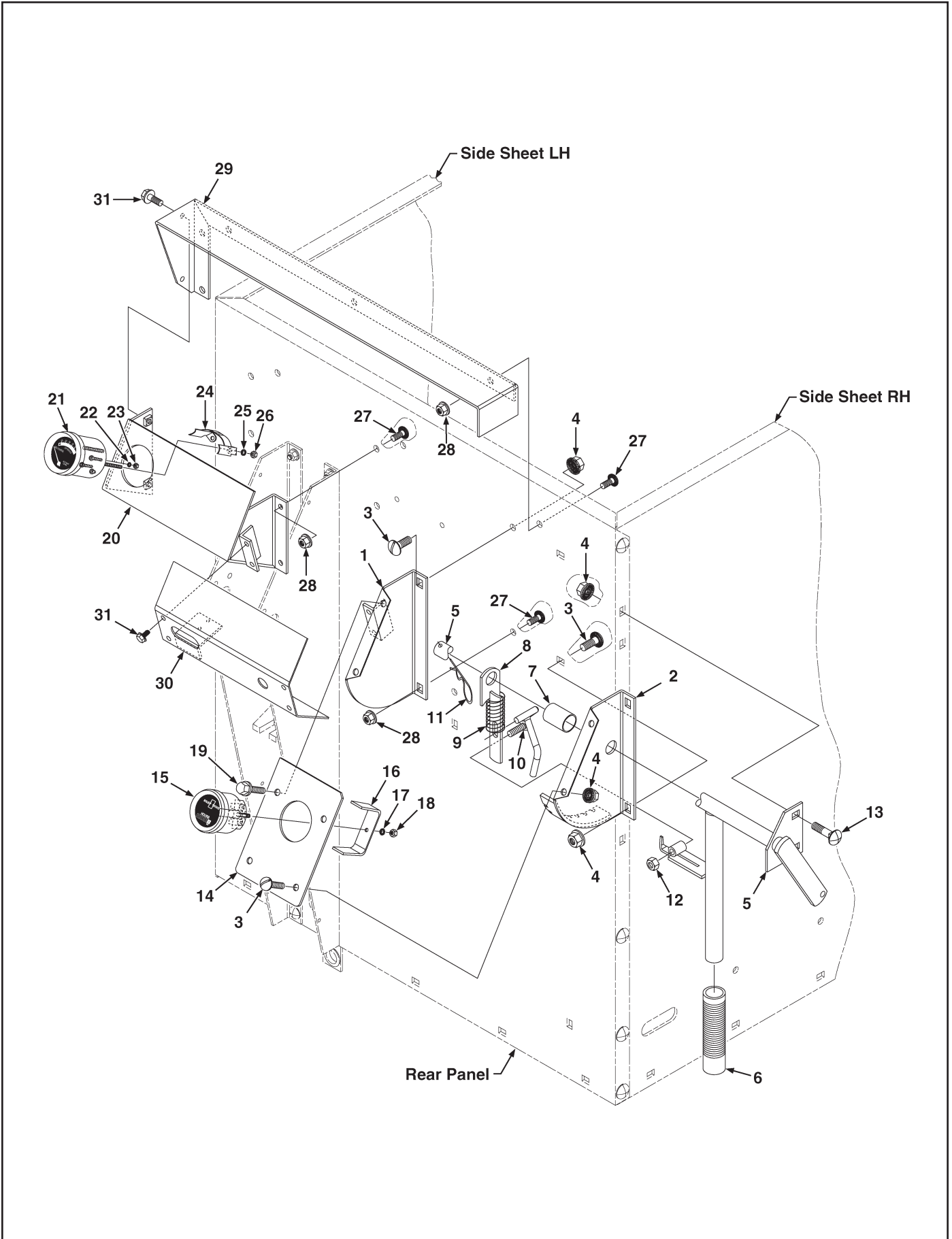




**Figure 10. Control Supports & Related Parts**

| ITEM | PART NUMBER | QTY | DESCRIPTION  |
|------|-------------|-----|--|
| 1    | 404-151     | 1   | Support, Control, LH                                   |
| 2    | 404-152     | 1   | Support, Control RH                                    |
| 3    | 404-166     | 1   | Support, Hydro Cable, Rear                             |
| 4    | 202-585     | 1   | Support, Wire  |
| 5    | 202-962     | 1   | Grommet  |
| 6    | 63-016      | 2   | Screw, Whiz, Truss Head, 5/16"-18UNC x 1/2" Long       |
| 7    | 63-032      | 4   | Bolt, Flanged Hex Head, Whiz, 5/16"-18UNC x 3/4" Long  |
| 8    | 63-009      | 2   | Bolt, Carriage, 5/16"-18UNC x 3/4" Long                |
| 9    | 63-010      | 8   | Nut, Flange Hex, Whiz, 5/16"-18UNC                     |
| 10   | 404-255X1   | 1   | Shaft WA, LH Control                                   |
| 11   | 404-805     | 1   | Knob, Control, Hydro                                   |
| 12   | 62-020      | 2   | Screw, Whiz, Truss Head, 1/4"-20UNC x 1/2" Long        |
| 13   | 62-002      | 3   | Nut, Flange Hex, Whiz, 1/4"-20UNC                      |
| 14   | 404-826     | 1   | Collar, Set, 3/4", Includes Item 15                    |
| 15   | NSS         | 1   | Setscrew   |
| 16   | 404-206     | 1   | Pointer, Hydro Speed                                   |
| 17   | 63-006      | 1   | Washer, Lock, 5/16"                                    |
| 18   | 63-003      | 1   | Bolt, Hex Head, 5/16"-18UNC x 3/4" Long                |
| 19   | 404-153     | 1   | Cover, Control Support, Bottom                         |
| 20   | 404-164     | 1   | Cover, Control Support, Top                            |
| 21   | 62-015      | 4   | Screw, Flange Hex, Self Tapping, 1/4" Dia. x 1/2" Long |
| 22   | 62-025      | 1   | Bolt, Hex Head, Gr5, 1/4"-20UNC x 1/2" Long            |

AR - As Required      NSS - Not Serviced Separately      ASN - After Serial No.      BSN - Before Serial No.      SN - Serial No.

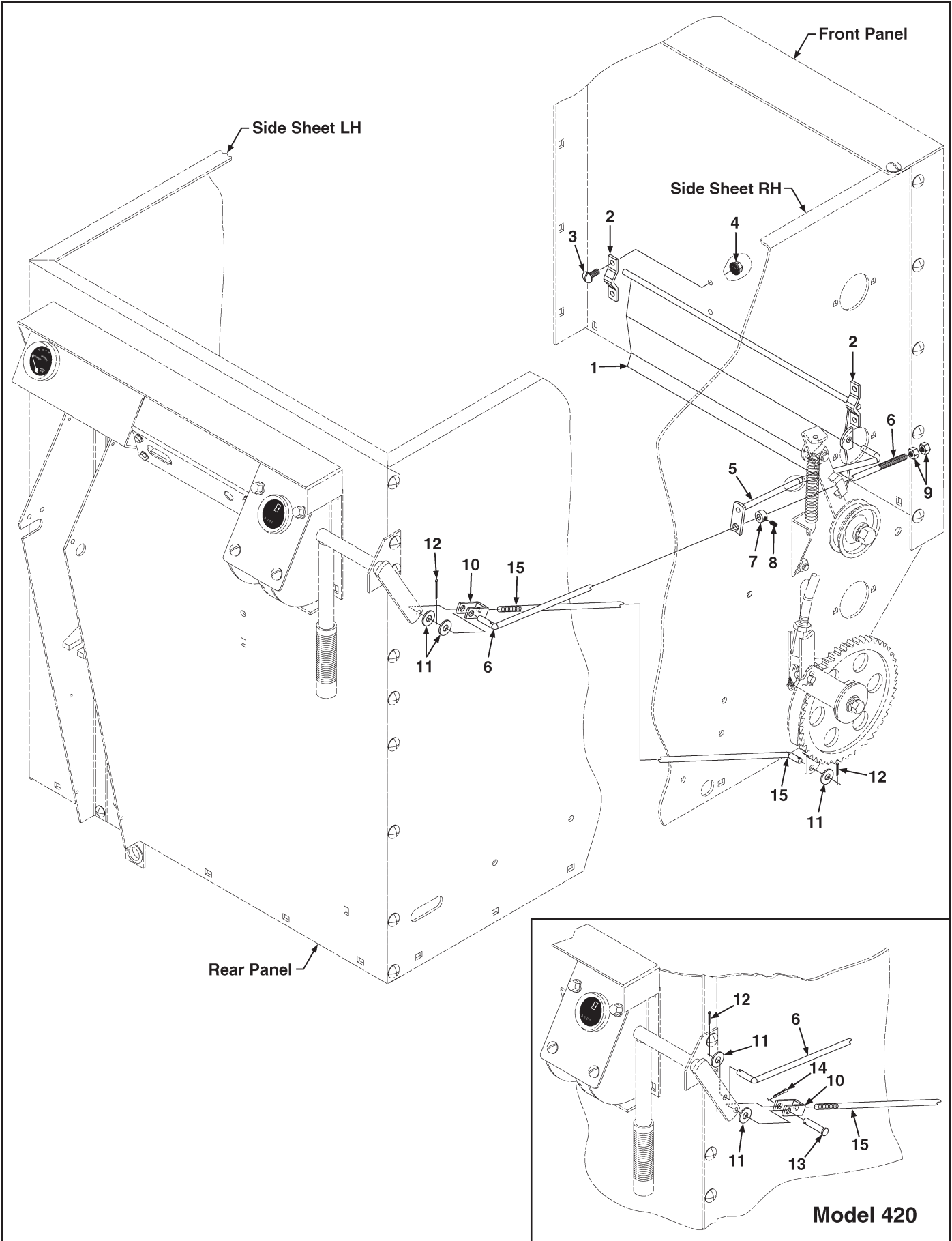


**Figure 11. Control Panels & Related Parts**

| ITEM | PART NUMBER | QTY | DESCRIPTION  |
|------|-------------|-----|--|
| 1    | 404-257     | 1   | Bracket LH, RH Handle                                  |
| 2    | 404-259     | 1   | Quadrant WA  |
| 3    | 63-016      | AR  | Screw, Whiz, Truss Head, 5/16"-18UNC x 1/2" Long       |
| 4    | 63-010      | AR  | Nut, Flange Hex, Whiz, 5/16"-18UNC                     |
| 5    | 322-076     | 1   | Handle WA, RH, Model 420                               |
|      | 404-242     | 1   | Handle WA, RH, Models 424, 430 & 436                   |
| 6    | 202-913     | 1   | Grip, Handle RH  |
| 7    | 202-789     | 1   | Spacer   |
| 8    | 202-787     | 1   | Latch WA, RH Handle                                    |
| 9    | 202-931     | 1   | Spring, RH Handle                                      |
| 10   | 202-825     | 1   | Trigger WA   |
| 11   | 61-016      | 1   | Pin, Bridge, #4, 1/8" Dia. x 2-1/2" Long               |
| 12   | 63-007      | 1   | Nut, Hex, 5/16"-18UNC                                  |
| 13   | 63-009      | 3   | Bolt, Carriage, 5/16"-18UNC x 3/4" Long                |
| 14   | 404-161     | 1   | Panel, Control RH                                      |
| 15   | 404-824     | 1   | Meter, Hour, Includes Items 16 thru 18                 |
| 16   | NSS         | 1   | Bracket, Hour Meter                                    |
| 17   | NSS         | 1   | Washer, Lock   |
| 18   | NSS         | 1   | Nut, Hex   |
| 19   | 63-032      | 2   | Bolt, Flanged Hex Head, 5/16"-18UNC x 3/4" Long        |
| 20   | 322-077     | 1   | Panel, Control LH, Model 420                           |
|      | 404-240     | 1   | Panel, Control LH, Models 424, 430 & 436               |
| 21   | 404-825     | 1   | Voltmeter, 24 Volt, Includes Items 22 thru 26          |
| 22   | NSS         | 2   | Washer, Lock   |
| 23   | NSS         | 2   | Nut, Hex   |
| 24   | NSS         | 1   | Bracket, Voltmeter                                     |
| 25   | NSS         | 2   | Washer, Lock   |
| 26   | NSS         | 2   | Nut, Hex   |
| 27   | 62-020      | AR  | Screw, Whiz, Truss Head, 1/4"-20UNC x 1/2" Long        |
| 28   | 62-002      | AR  | Nut, Flange Hex, Whiz, 1/4"-20UNC                      |
| 29   | 322-023     | 1   | Panel, Control Cover, SS, Model 420                    |
|      | 404-163     | 1   | Panel, Control Cover, SS, Models 424, 430 & 436        |
| 30   | 322-078     | 1   | Panel, Control Center, Model 420                       |
|      | 404-241     | 1   | Panel, Control Center, Models 424, 430 & 436           |
| 31   | 62-015      | 6   | Screw, Flange Hex, Self Tapping, 1/4" Dia. x 1/2" Long |

AR - As Required      NSS - Not Serviced Separately      ASN - After Serial No.      BSN - Before Serial No.      SN - Serial No.

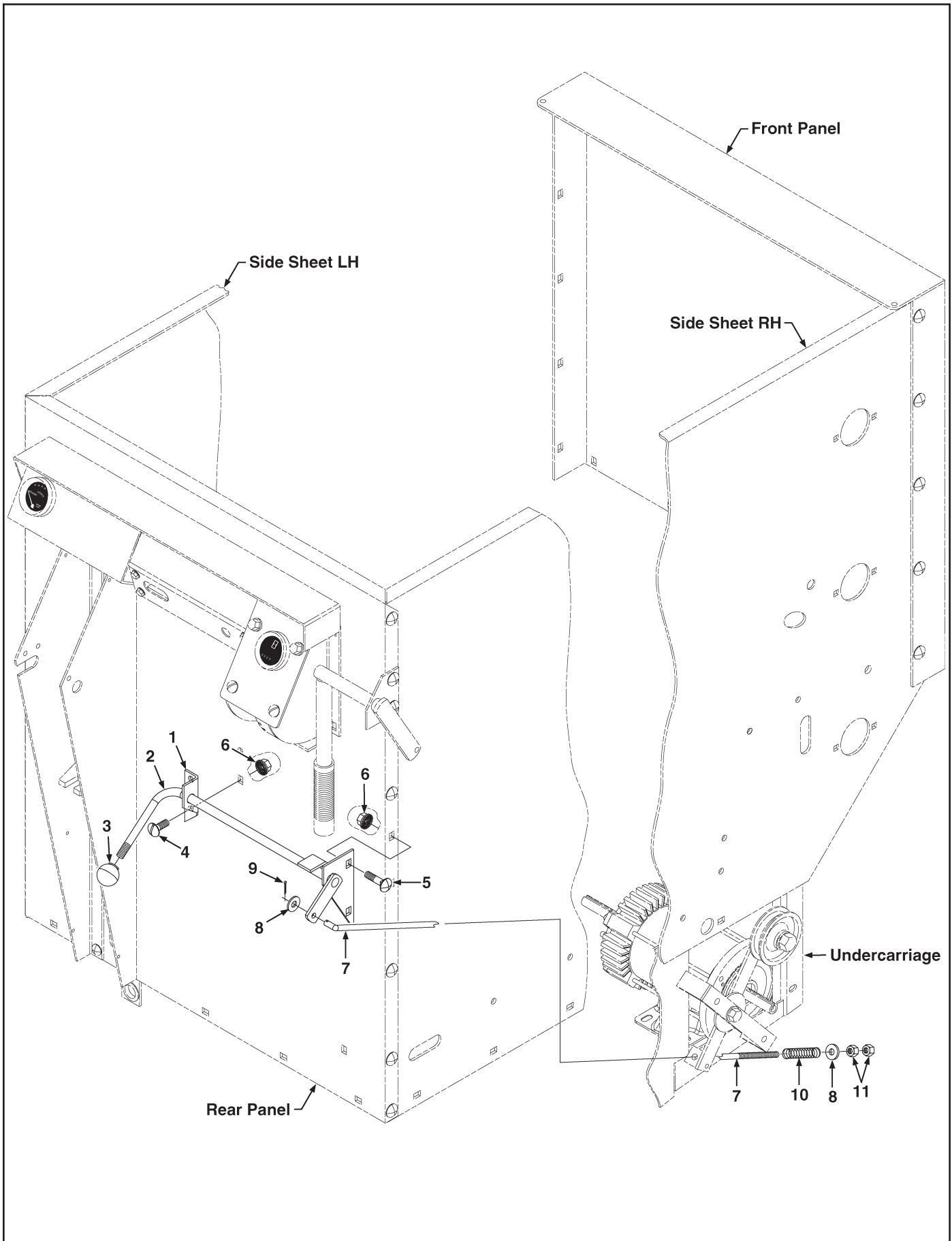
Figure 12. Loading Baffle/Rod, Beater Clutch, Cam Rods & Related Parts



**Figure 12. Loading Baffle/Rod, Beater Clutch,  
Cam Rods & Related Parts**

| ITEM | PART NUMBER | QTY | DESCRIPTION                                     |
|------|-------------|-----|---|
| 1    | 303-037     | 1   | Baffle, Loading, HR                             |
|      | 303-037SS   | 1   | Baffle, Loading, SS                             |
| 2    | 303-010     | 2   | Bracket, Loading Baffle                         |
| 3    | 62-020      | 1   | Screw, Whiz, Truss Head, 1/4"-20UNC x 1/2" Long |
| 4    | 62-002      | 1   | Nut, Flange Hex, Whiz, 1/4"-20UNC               |
| 5    | 303-038     | 1   | Rod, Baffle Pull                                |
| 6    | 322-051     | 1   | Rod, Beater Clutch, Model 420                   |
|      | 202-365     | 1   | Rod, Beater Clutch, Model 424                   |
|      | 202-506     | 1   | Rod, Beater Clutch, Model 430                   |
|      | 404-609     | 1   | Rod, Beater Clutch, Model 436                   |
|      | 202-956     | 1   | Collar, Set, 5/16", Includes Item 8             |
| 8    | NSS         | 1   | Setscrew  |
| 9    | 63-007      | 2   | Nut, Hex, 5/16"-18UNC                           |
| 10   | 202-896     | 1   | Clevis, Rod Cam, Model 420                      |
|      | 202-796     | 1   | Clevis, Rod Cam, Models 424, 430 & 436          |
| 11   | 63-005      | AR  | Washer, Flat, SAE, 5/16"                        |
| 12   | 61-002      | 2   | Pin, Cotter, 3/32" Dia. x 5/8" Long             |
| 13   | 202-892     | 1   | Pin, Clevis, 5/16" Dia. x 3/4" Long             |
| 14   | 61-001      | 1   | Pin, Cotter, 1/8" Dia. x 3/4" Long              |
| 15   | 202-364     | 1   | Rod, Cam, Models 420 & 424                      |
|      | 202-478     | 1   | Rod, Cam, Model 430                             |
|      | 404-603     | 1   | Rod, Cam, Model 436                             |

AR - As Required      NSS - Not Serviced Separately      ASN - After Serial No.      BSN - Before Serial No.      SN - Serial No.



**Figure 13. Feeder Clutch Handle, Rod & Related Parts**

| ITEM | PART NUMBER | QTY | DESCRIPTION                                      |
|------|-------------|-----|--|
| 1    | 202-458     | 1   | Bracket  |
| 2    | 322-004     | 1   | Handle WA, Feeder Clutch, Model 420              |
|      | 404-243     | 1   | Handle WA, Feeder Clutch, Models 424 & 430       |
|      | 404-625     | 1   | Handle WA, Feeder Clutch, Model 436              |
| 3    | 202-479     | 1   | Knob   |
| 4    | 63-016      | 2   | Screw, Whiz, Truss Head, 5/16"-18UNC x 1/2" Long |
| 5    | 63-009      | 2   | Bolt, Carriage, 5/16"-18UNC x 3/4" Long          |
| 6    | 63-010      | 4   | Nut, Flange Hex, Whiz, 5/16"-18UNC               |
| 7    | 321-362     | 1   | Rod, Feeder Clutch, Model 420                    |
|      | 404-306     | 1   | Rod, Feeder Clutch, Model 424                    |
|      | 202-591     | 1   | Rod, Feeder Clutch, Model 430                    |
|      | 404-610     | 1   | Rod, Feeder Clutch, Model 436                    |
| 8    | 63-005      | 1   | Washer, Flat, SAE, 5/16"                         |
| 9    | 61-002      | 2   | Pin, Cotter, 3/32" Dia. x 5/8" Long              |
| 10   | 202-950     | 1   | Spring, Feeder Clutch Rod                        |
| 11   | 63-007      | 2   | Nut, Hex, 5/16"-18UNC                            |

AR - As Required

NSS - Not Serviced Separately

ASN - After Serial No.

BSN - Before Serial No.

SN - Serial No.

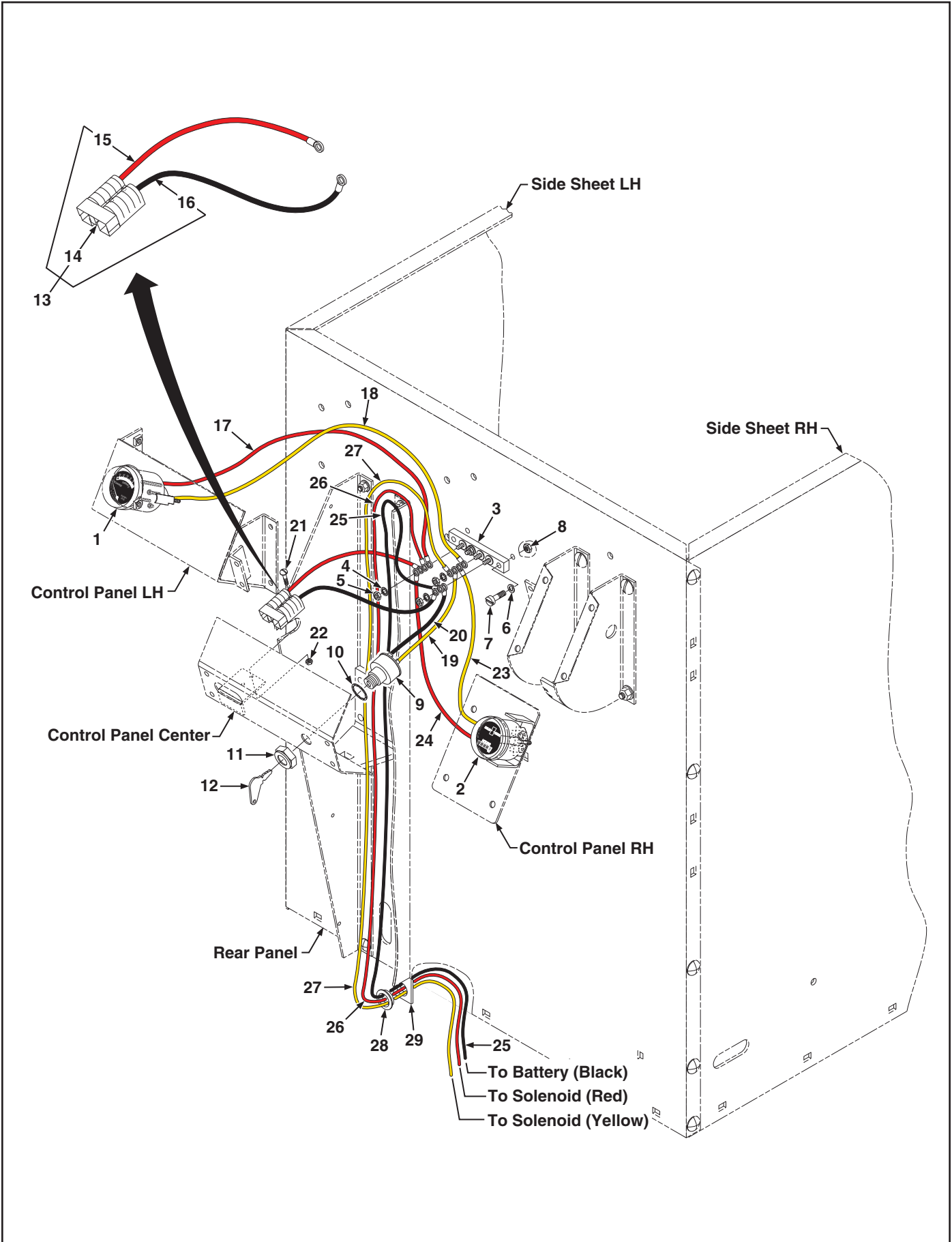
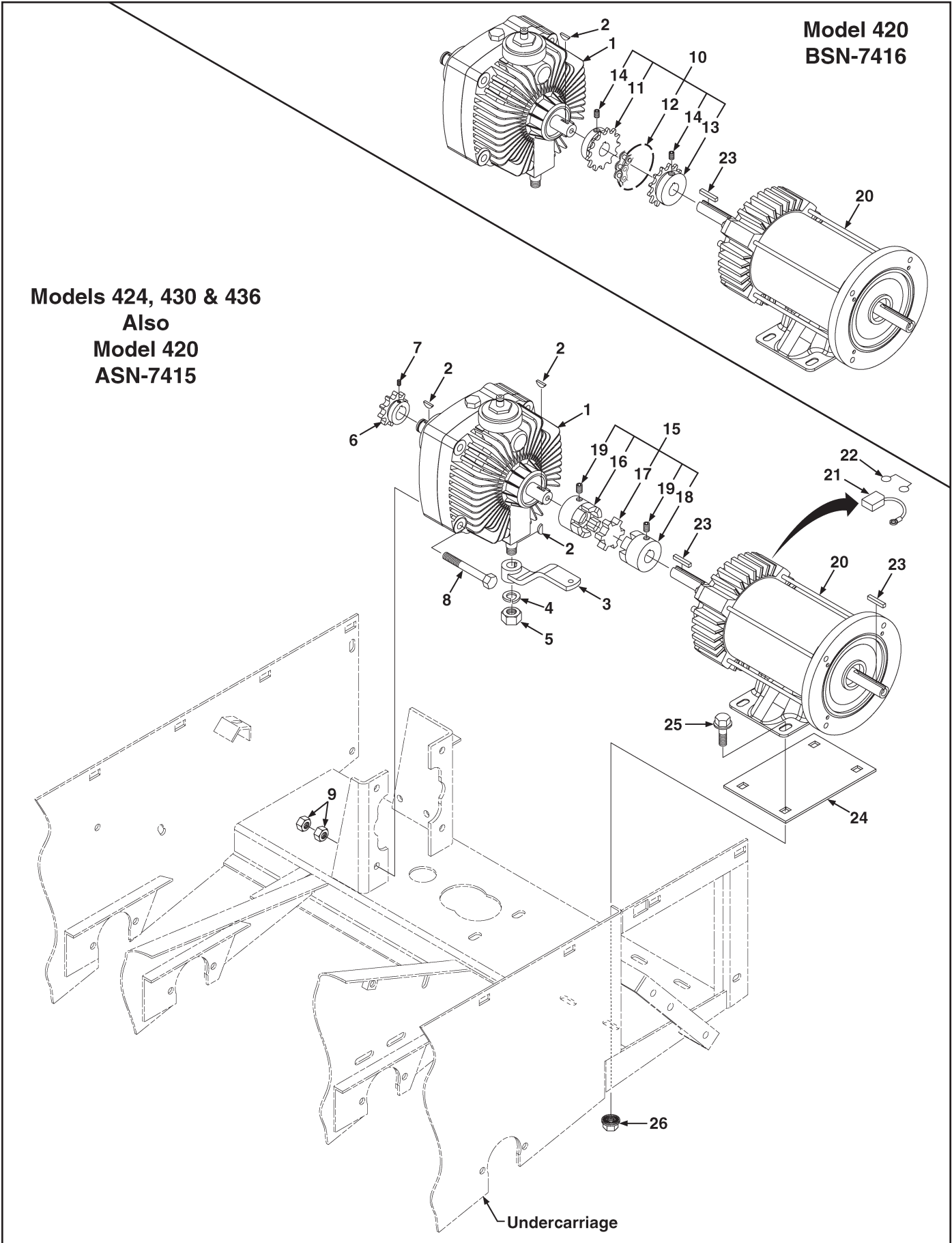




Figure 14. Gauges, Junction Block & Related Parts

| ITEM | PART NUMBER | QTY | DESCRIPTION   |
|------|-------------|-----|---|
| 1    | 404-825     | 1   | Voltmeter, 24 Volt  |
| 2    | 404-824     | 1   | Meter, Hour   |
| 3    | 404-827     | 1   | Block, Junction, Includes Items 4 & 5                                     |
| 4    | NSS         | 4   | Washer, Lock  |
| 5    | NSS         | 4   | Nut, Hex  |
| 6    | 61-018      | 2   | Washer, Lock, #10   |
| 7    | 61-013      | 2   | Screw, Machine, Nylon, #10-32UNF x 5/8" Long                              |
| 8    | 61-014      | 2   | Nut, Hex, #10-32UNF   |
| 9    | 202-954     | 1   | Switch, Key, Includes Items 10 thru 12                                    |
| 10   | NSS         | 1   | Washer, Lock  |
| 11   | NSS         | 1   | Nut, Hex  |
| 12   | 202-955     | 1   | Key   |
| 13   | 404-431     | 1   | Receptacle & Wire Assembly, Includes Items 14 thru 16, <b>Recommended</b> |
| 14   | 202-960     | 1   | Receptacle, Charger & Contacts  |
| 15   | 404-201     | 1   | Wire, Red, Charger Receptacle to Junction Block                           |
| 16   | 404-200     | 1   | Wire, Black, Charger Receptacle to Junction Block                         |
| 17   | 322-034     | 1   | Wire, Red, Hour Meter to Junction Block, Model 420                        |
|      | 404-194     | 1   | Wire, Red, Hour Meter to Junction Block, Models 424, 430 & 436            |
| 18   | 322-031     | 1   | Wire, Yellow, Hour Meter to Junction Block, Model 420                     |
|      | 404-196     | 1   | Wire, Yellow, Hour Meter to Junction Block, Models 424, 430 & 436         |
| 19   | 404-199     | 1   | Wire, Yellow, Switch to Junction Block                                    |
| 20   | 404-198     | 1   | Wire, Black, Switch to Junction Block                                     |
| 21   | 61-017      | 2   | Screw, Machine, Truss Head, #6-32UNC x 3/4" Long                          |
| 22   | 61-011      | 2   | Nut, Hex, #6-32UNC  |
| 23   | 322-032     | 1   | Wire, Yellow, Voltmeter to Junction Block, Model 420                      |
|      | 404-197     | 1   | Wire, Yellow, Voltmeter to Junction Block, Models 424, 430 & 436          |
| 24   | 322-033     | 1   | Wire, Red, Voltmeter to Junction Block, Model 420                         |
|      | 404-195     | 1   | Wire, Red, Voltmeter to Junction Block, Models 424, 430 & 436             |
| 25   | 322-029     | 1   | Wire, Black, Junction Block to Battery, Model 420                         |
|      | 404-321     | 1   | Wire, Black, Junction Block to Battery, Model 424                         |
|      | 404-516     | 1   | Wire, Black, Junction Block to Battery, Model 430                         |
|      | 404-606     | 1   | Wire, Black, Junction Block to Battery, Model 436                         |
| 26   | 322-028     | 1   | Wire, Red, Junction Block to Solenoid, Model 420                          |
|      | 404-320     | 1   | Wire, Red, Junction Block to Solenoid, Model 424                          |
|      | 404-515     | 1   | Wire, Red, Junction Block to Solenoid, Models, 430 & 436                  |
| 27   | 322-030     | 1   | Wire, Yellow, Junction Block to Solenoid, Model 420                       |
|      | 404-319     | 1   | Wire, Yellow, Junction Block to Solenoid, Model 424                       |
|      | 404-514     | 1   | Wire, Yellow, Junction Block to Solenoid, Models 430 & 436                |
| 28   | 202-962     | 1   | Grommet   |
| 29   | 202-585     | 1   | Support, Wire   |

AR - As Required      NSS - Not Serviced Separately      ASN - After Serial No.      BSN - Before Serial No.      SN - Serial No.



**Figure 15. Motor & Hydrostatic Transmission Mounting**

| ITEM | PART NUMBER | QTY | DESCRIPTION   |
|------|-------------|-----|---|
| 1    | 404-810X1   | 1   | Hydrostatic Transmission Unit   |
| 2    | 69-013      | 3   | Key, #3 Woodruff, Nickel Alloy  |
| 3    | 322-080     | 1   | Arm, Control, Hydro, Model 420  |
|      | 404-252     | 1   | Arm, Control, Hydro, Models 424, 430 & 436  |
| 4    | 64-006      | 1   | Washer, Lock, 3/8"  |
| 5    | 64-009      | 1   | Nut, Hex, 3/8"-16UNC  |
| 6    | 404-811     | 1   | Sprocket, #40 x 17mm Bore, 10 Teeth, Includes Item 7                                      |
| 7    | NSS         | 1   | Setscrew  |
| 8    | 64-022      | 4   | Bolt, Hex Head, 3/8"-24UNF x 3" Long  |
| 9    | 64-007      | 8   | Nut, Hex, 3/8"-24UNF  |
| 10   | 322-070     | 1   | Coupler Assembly, Model 420, Includes Items 11 thru 14, BSN-7416                          |
| 11   | 322-059     | 1   | Coupler, Half, Hydro Shaft, 17mm Bore   |
| 12   | 322-069     | 1   | Chain   |
| 13   | 322-058     | 1   | Coupler, Half, Motor Shaft, 5/8" Bore   |
| 14   | NSS         | 2   | Setscrew  |
| 15   | 404-808     | 1   | Coupling, Lovejoy, Includes Items 16 thru 19  |
| 16   | 404-835     | 1   | Coupler, Half, 17mm Bore  |
| 17   | 404-833     | 1   | Spider, Rubber  |
| 18   | 404-834     | 1   | Coupler, Half, 5/8" Bore  |
| 19   | NSS         | 2   | Setscrew  |
| 20   | 321-600S    | 1   | Motor, 24 Volt DC, Scott (Shown), Model 420   |
|      | 202-600S    | 1   | Motor, 24 Volt DC, Scott (Shown), Models 424, 430 & 436<br>Includes Item 21 & 22          |
|      | 321-600BR   | 1   | Motor, 24 Volt DC, Baldor (Not Shown), Model 420, Rebuilt                                 |
|      | 202-600BR   | 1   | Motor, 24 Volt DC, Baldor (Not Shown), Models 424, 430 & 436, Rebuilt<br>Includes Item 21 |
| 21   | 202-980SC   | 1   | Brush Set, Scott Motor, (Shown)   |
|      | 202-980     | 1   | Brush Set, Baldor Motor, (Not Shown)  |
| 22   | 404-849     | 1   | Spring, Brush, Scott Motor Only   |
| 23   | 69-015      | 2   | Key, 3/16" Sq. x 7/8" Long, Model 420   |
|      | 69-006      | 2   | Key, 3/16" Sq. x 1-3/8" Long, Models 424, 430 & 436                                       |
| 24   | 484-031     | AR  | Shim, Motor, .031   |
|      | 484-038     | AR  | Shim, Motor, .038   |
|      | 484-050     | AR  | Shim, Motor, .050   |
|      | 484-063     | AR  | Shim, Motor, .063   |
|      | 484-078     | AR  | Shim, Motor, .078   |
| 25   | 63-032      | 4   | Bolt, Flanged Hex Head, Whiz, 5/16"-18UNC x 3/4" Long                                     |
| 26   | 63-010      | 4   | Nut, Flanged Hex, Whiz, 5/16"-18UNC   |
|      | 484-030     | 1   | Shims, Set of 5, .031, .038, .050, .063 & .078  |

AR - As Required      NSS - Not Serviced Separately      ASN - After Serial No.      BSN - Before Serial No.      SN - Serial No.

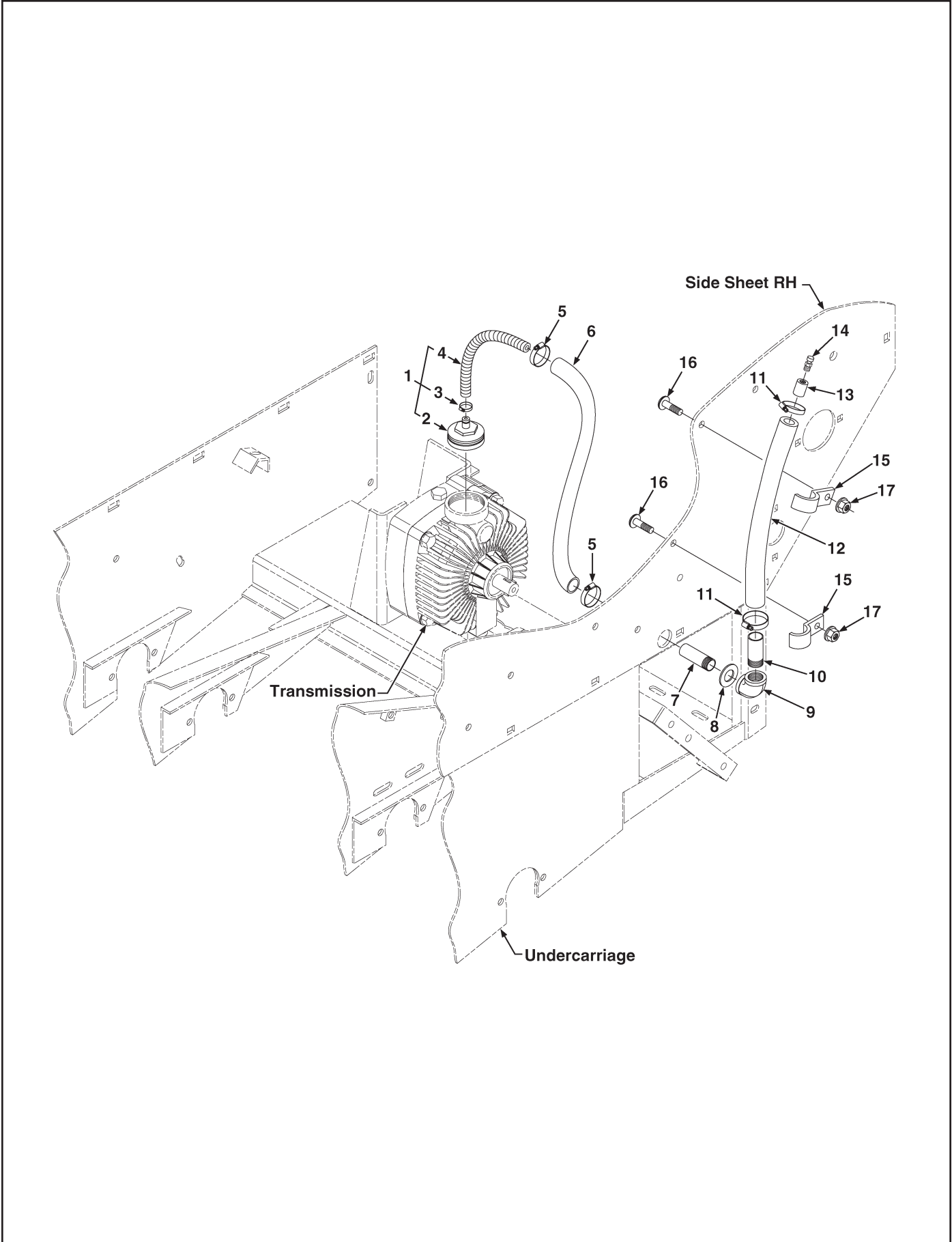


Figure 16. Hydraulic Oil Fill & Related Parts

| ITEM | PART NUMBER | QTY | DESCRIPTION                                       |
|------|-------------|-----|---|
| 1    | 404-217X1   | 1   | Cap & Elbow Assembly, Includes Items 2 thru 4     |
| 2    | 404-203     | 1   | Cap, Hydro, LH Thread                             |
| 3    | 404-855     | 1   | Clamp, 1/4" x 5/8"                                |
| 4    | 404-238     | 1   | Hose, Wire Braid                                  |
| 5    | 404-817     | 2   | Clamp, 3/8" x 7/8"                                |
| 6    | 322-055     | 1   | Tubing, Clear, Lower, Model 420                   |
|      | 404-513     | 1   | Tubing, Clear, Lower, Model 424                   |
|      | 404-513     | 1   | Tubing, Clear, Lower, Models 430 & 436            |
| 7    | 404-188     | 1   | Pipe, Lower, 1/4"NPT                              |
| 8    | 66-004      | AR  | Washer, Shim, 9/16" ID x 1-1/16" OD x .079" Thick |
| 9    | 404-816     | 1   | Elbow, Pipe, Black, 3/8" x 1/4"                   |
| 10   | 404-187     | 1   | Pipe, Upper, 3/8"NPT                              |
| 11   | 404-818     | 2   | Clamp, 1/2" x 1-1/8"                              |
| 12   | 404-186     | 1   | Tubing, Clear, Upper                              |
| 13   | 404-823     | 1   | Coupling, 1/8"NPT                                 |
| 14   | 404-822     | 1   | Breather  |
| 15   | 404-828     | 2   | Strap, Pipe, 3/4" EMT                             |
| 16   | 63-016      | 2   | Screw, Whiz, Truss Head, 5/16"-18UNC x 1/2" Long  |
| 17   | 63-010      | 2   | Nut, Flanged Hex, Whiz, 5/16"-18UNC               |

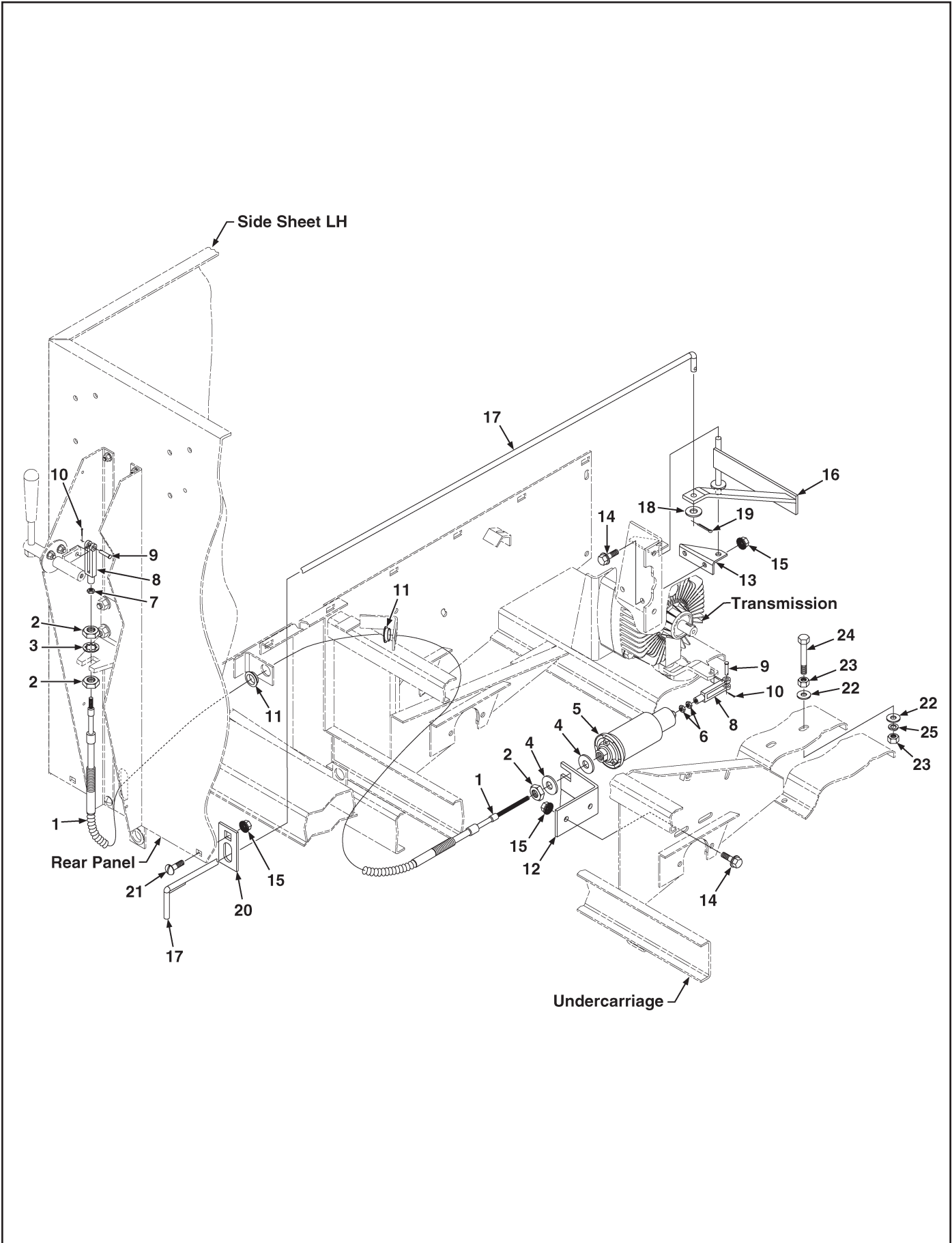
AR - As Required

NSS - Not Serviced Separately

ASN - After Serial No.

BSN - Before Serial No.

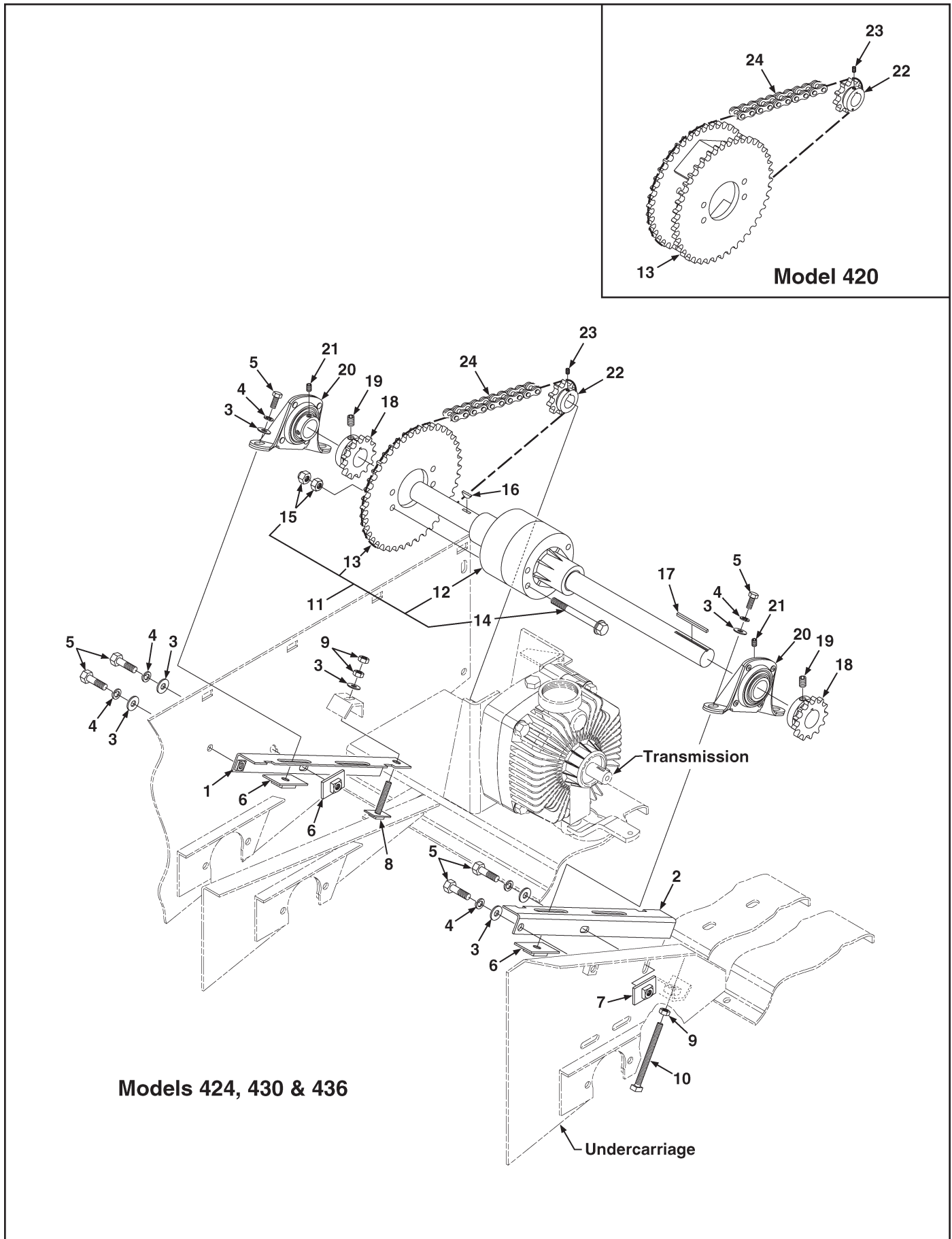
SN - Serial No.



**Figure 17. Control Cable, Dump Valve & Related Parts**

| ITEM | PART NUMBER | QTY | DESCRIPTION   |
|------|-------------|-----|---|
| 1    | 404-322     | 1   | Cable, Control, Models 420 & 424                      |
|      | 404-517     | 1   | Cable, Control, Model 430                             |
|      | 404-604     | 1   | Cable, Control, Model 436<br>Includes Items 2 & 3     |
| 2    | 66-001      | 3   | Nut, Hex, Jam, 5/8"-18UNF                             |
| 3    | 66-002      | 1   | Washer, Lock, Internal Teeth, 5/8"                    |
| 4    | 66-003      | 2   | Washer, Flat, 5/8" SAE                                |
| 5    | 404-812     | 1   | Hydroback   |
| 6    | 62-021      | 2   | Nut, Hex, Half, 1/4"-28UNF                            |
| 7    | 62-026      | 1   | Nut, Hex, 1/4"-28UNF                                  |
| 8    | 404-813     | 2   | Clevis  |
| 9    | 404-814     | 2   | Pin, Clevis   |
| 10   | 61.015      | 2   | Pin, Cotter, SS, 1/16" Dia. x 1/2" Long               |
| 11   | 202-962     | 2   | Grommet   |
| 12   | 404-258     | 1   | Bracket, Hydroback                                    |
| 13   | 404-135     | 1   | Bracket, Dump Valve, Front                            |
| 14   | 63-032      | 4   | Bolt, Flanged Hex Head, Whiz, 5/16"-18UNC x 3/4" Long |
| 15   | 63-010      | 5   | Nut, Flanged Hex, Whiz, 5/16"-18UNC                   |
| 16   | 404-253     | 1   | Arm WA, Dump Valve                                    |
| 17   | 404-301     | 1   | Rod, Dump Valve, Models 420 & 424                     |
|      | 404-508     | 1   | Rod, Dump Valve, Model 430                            |
|      | 404-628     | 1   | Rod, Dump Valve, Model 436                            |
| 18   | 63-005      | 1   | Washer, Flat, 5/16" SAE                               |
| 19   | 61-002      | 1   | Pin, Cotter, 3/32" Dia. x 5/8" Long                   |
| 20   | 404-146     | 1   | Bracket, Dump Valve, Rear                             |
| 21   | 63-016      | AR  | Screw, Whiz, Truss Head, 5/16"-18UNC x 1/2" Long      |
| 22   | 64-011      | 4   | Washer, Flat, 3/8" SAE                                |
| 23   | 64-009      | 4   | Nut, Hex, 3/8"-16UNC                                  |
| 24   | 64-023      | 2   | Bolt, Hex Head, Gr5, 3/8"-16UNC x 2" Long             |
| 25   | 64-006      | 2   | Washer, Lock, 3/8"                                    |

AR - As Required      NSS - Not Serviced Separately      ASN - After Serial No.      BSN - Before Serial No.      SN - Serial No.

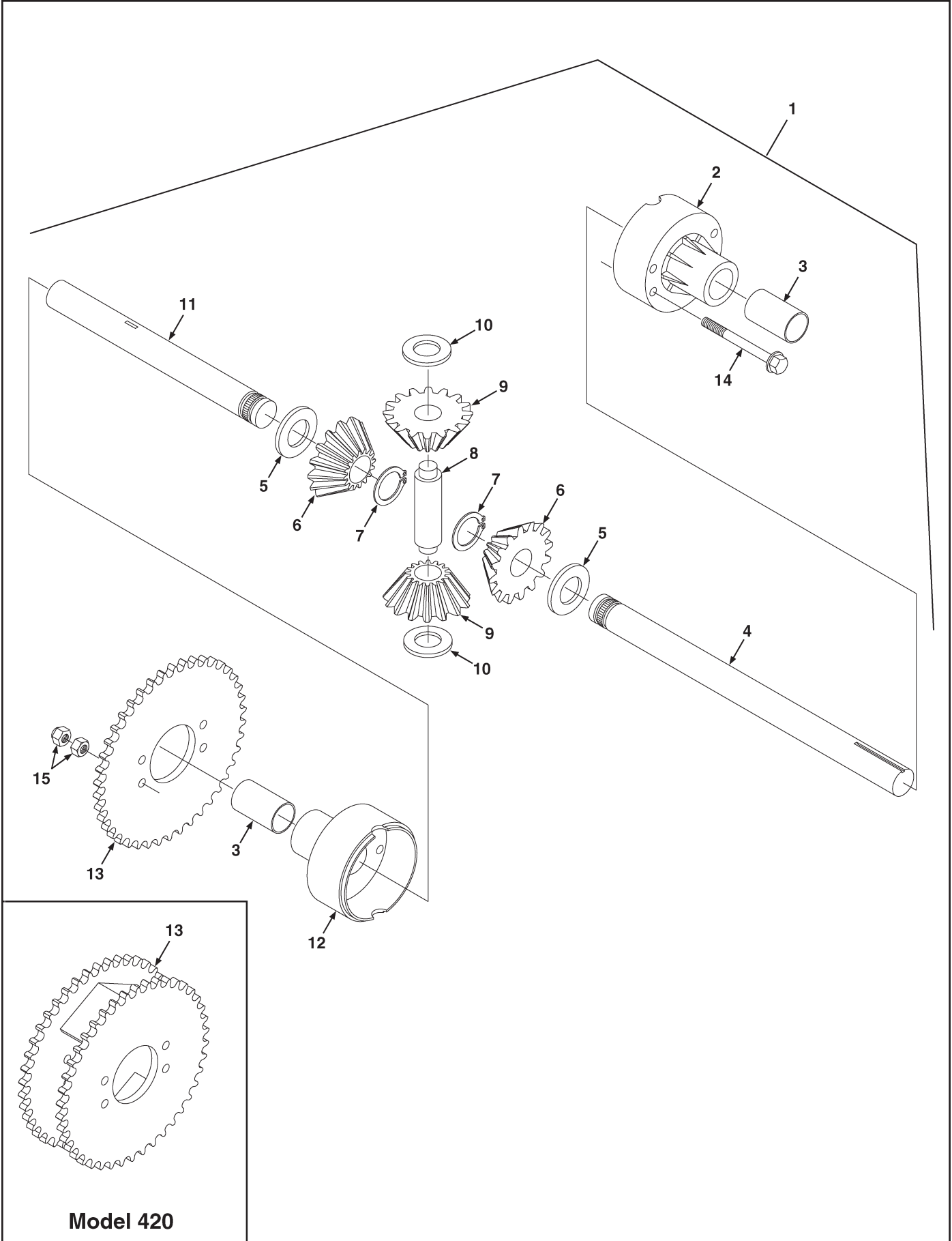




**Figure 18. Differential Mounting & Related Parts**

| ITEM | PART NUMBER | QTY | DESCRIPTION  |
|------|-------------|-----|--|
| 1    | 404-248     | 1   | Bracket, LH, Differential Mounting   |
| 2    | 404-117     | 1   | Bracket, RH, Differential Mounting   |
| 3    | 64-005      | AR  | Washer, Flat, 3/8" USS   |
| 4    | 64-006      | 8   | Washer, Lock, 3/8"   |
| 5    | 64-012      | 8   | Bolt, Hex Head, 3/8"-16UNC x 3/4" Long   |
| 6    | 404-250     | 3   | Nut WA, Plate, Short, 3/8"-16UNC   |
| 7    | 404-251     | 1   | Nut WA, Plate, Long, 3/8"-16UNC  |
| 8    | 404-254     | 1   | Bolt WA, 3/8"-16UNC x 2-1/2" Long  |
| 9    | 64-009      | AR  | Nut, Hex, 3/8"-16UNC   |
| 10   | 64-021      | 1   | Setscrew, Sq. Head, 3/8"-16UNC x 4" Long   |
| 11   | 322-830     | 1   | Differential Assembly, Model 420, Includes Items 12 thru 15  |
|      | 404-830     | 1   | Differential Assembly, Models 424, 430 & 436, Includes Items 12 thru 15                                    |
| 12   | 322-831     | 1   | Differential, Model 420  |
|      | 404-831     | 1   | Differential, Models 424, 430 & 436  |
| 13   | 322-075     | 1   | Sprocket, Model 420  |
|      | 303-103     | 1   | Sprocket, Models 424, 430 & 436  |
| 14   | 303-114X2   | 4   | Bolt, Flanged Hex Head, Gr8, 5/16"-18UNC x 4" Long   |
| 15   | 63-007      | 8   | Nut, Hex, 5/16"-18UNC  |
| 16   | 69-014      | 1   | Key, #141, Nickel Alloy  |
| 17   | 69-009      | 1   | Key, 1/4" Sq. x 1" Long  |
| 18   | 404-807     | 2   | Sprocket, Hardened, 1" Bore, 12 Teeth, Includes Item 19  |
| 19   | NSS         | 2   | Setscrew   |
| 20   | 404-806     | 2   | Bearing, Pillow Block, Includes Item 21  |
| 21   | NSS         | 2   | Setscrew   |
| 22   | 404-811     | 1   | Sprocket, #40 x 17mm Bore, 10 Teeth, Includes Item 23  |
| 23   | NSS         | 1   | Setscrew   |
| 24   | 404-809*    | 1   | Chain, Roller, #40 - 59 Pitches  |
|      | 322-829     | 1   | Differential Assembly, W/3 Sprockets & 2 Bearings, Model 420   |
|      | 404-829     | 1   | Differential Assembly, W/3 Sprockets & 2 Bearings, Models 424, 430 & 436<br>Includes Items, 11, 15 thru 22 |
|      |             |     | *Note: Drive Chain Item 24 is the same on all 3 figures 18, 20 & 21  |

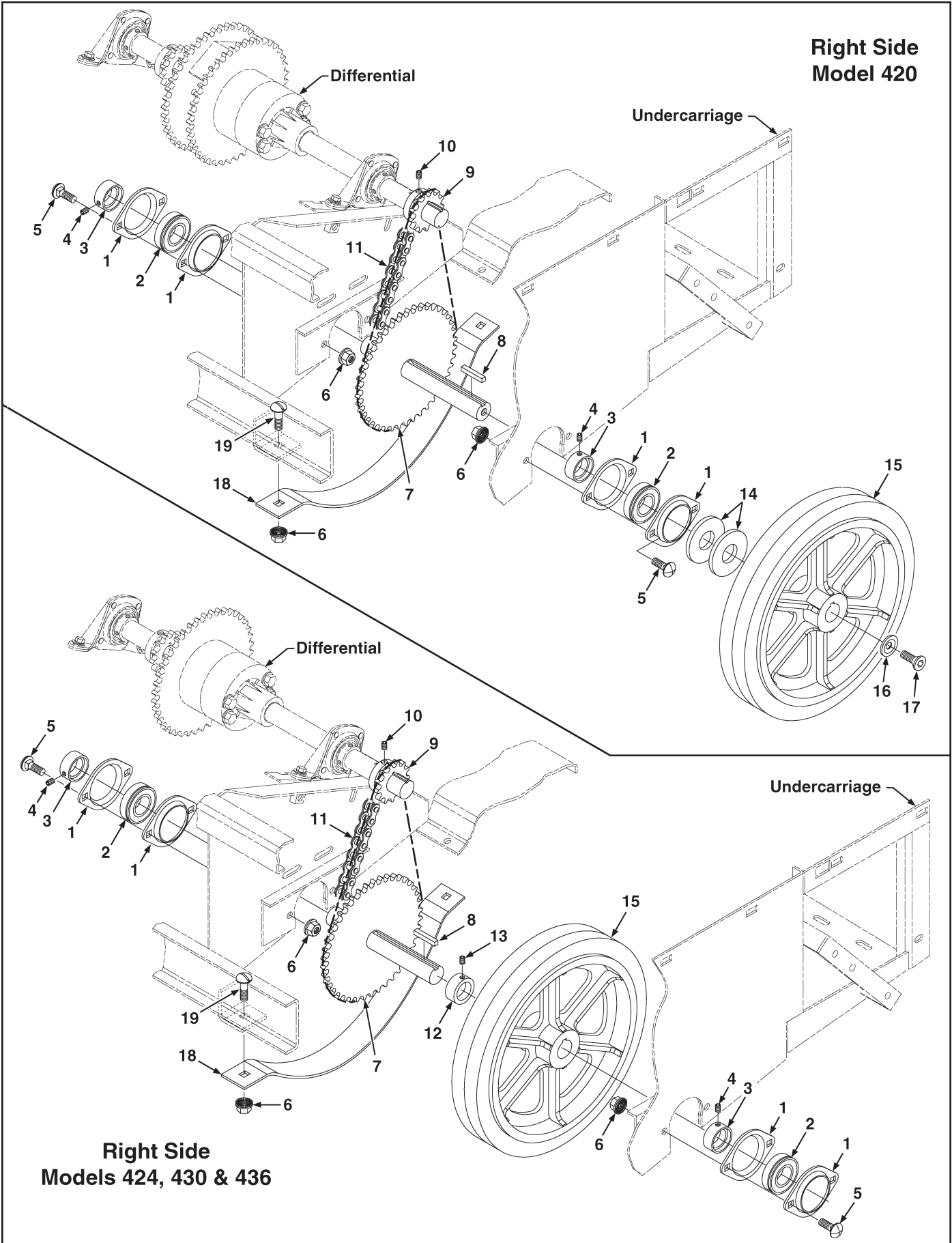
AR - As Required      NSS - Not Serviced Separately      ASN - After Serial No.      BSN - Before Serial No.      SN - Serial No.



**Figure 19. Differential Assembly**

| ITEM | PART NUMBER | QTY | DESCRIPTION   |
|------|-------------|-----|---|
| 1    | 322-830     | 1   | Differential Assembly, With Sprocket, Model 420   |
|      | 404-830     | 1   | Differential Assembly, With Sprocket, Models 424, 430 & 436<br>Includes Items 2 thru 15 |
|      | 404-831     | 1   | Differential Assembly, Without Sprocket<br>Includes Items 2 thru 12                     |
| 2    | 303-119     | 1   | Housing Assembly, Right, Long Pilot Pin, Includes Item 3                                |
| 3    | 303-104     | 2   | Bushing, Bronze   |
| 4    | 322-082     | 1   | Shaft, Long, Differential RH, Model 420   |
|      | 404-837     | 1   | Shaft, Long, Differential RH, Models 424, 430 & 436                                     |
| 5    | 303-113     | 2   | Washer, Flat, Hardened, 1"  |
| 6    | 303-111     | 2   | Gear, Bevel, Axle   |
| 7    | 303-107     | 2   | Ring, Snap  |
| 8    | 303-117     | 1   | Pin, Long   |
| 9    | 303-110     | 2   | Gear, Pinion  |
| 10   | 303-116     | 2   | Washer, Flat, Hardened, 5/8"  |
| 11   | 322-081     | 1   | Shaft, Short, Differential LH, Model 420  |
|      | 404-836     | 1   | Shaft, Short, Differential LH, Models 424, 430 & 436                                    |
| 12   | 303-118     | 1   | Housing Assembly, Left, Long Pilot Pin, Includes Item 3                                 |
| 13   | 322-075     | 1   | Sprocket, Model 420   |
|      | 303-103     | 1   | Sprocket, Models 424, 430 & 436   |
| 14   | 303-114X2   | 4   | Bolt, Flanged Hex Head, 5/16"-18UNC x 4" Long   |
| 15   | 63-007      | 8   | Nut, Hex, 5/16"-18UNC   |

AR - As Required      NSS - Not Serviced Separately      ASN - After Serial No.      BSN - Before Serial No.      SN - Serial No.



**Figure 20. Drive Wheel Right Side & Related Parts**

| ITEM | PART NUMBER | QTY | DESCRIPTION   |
|------|-------------|-----|---|
| 1    | 202-916     | 2   | Flangette, 2 Hole   |
| 2    | 202-915     | 1   | Bearing, Ball, 1", Includes Items 3 & 4                             |
| 3    | NSS         | 1   | Collar  |
| 4    | NSS         | 1   | Setscrew  |
| 5    | 63-009      | 8   | Bolt, Carriage, 5/16"-18UNC x 3/4" Long                             |
| 6    | 63-010      | AR  | Nut, Flanged Hex, Whiz, 5/16"-18UNC                                 |
| 7    | 322-066     | 1   | Axle & Sprocket WA, RH, Model 420                                   |
|      | 404-247     | 1   | Axle & Sprocket WA, RH, Models 424, 430 & 436                       |
| 8    | 69-003      | 1   | Key, 1/4" Sq. x 2-1/2" Long   |
| 9    | 404-807     | 2   | Sprocket, Hardened, 1" Bore, 12 Teeth, Includes Item 10             |
| 10   | NSS         | 2   | Setscrew  |
| 11   | 404-809*    | 1   | Chain, Roller, #40 - 59 Pitches                                     |
| 12   | 202-697     | 1   | Collar, Set, 1", Includes Item 13                                   |
| 13   | NSS         | 1   | Setscrew  |
| 14   | 68-006      | 2   | Washer, Flat, 1" ID x 1-1/2" x 10 Gauge                             |
| 15   | 202-900     | 1   | Wheel, 12"  |
| 16   | 202-378     | 1   | Washer, Special, Model 420 Only                                     |
| 17   | 64-018      | 1   | Screw, Socket Flat Head, 3/8"-16UNC x 3/4" Long, Model 420 Only     |
| 18   | 404-111     | 1   | Guard, Chain  |
| 19   | 63-016      | 2   | Screw, Whiz, Truss Head, 5/16"-18UNC x 1/2" Long                    |
|      |             |     | *Note: Drive Chain Item 11 is the same on all 3 figures 18, 20 & 21 |

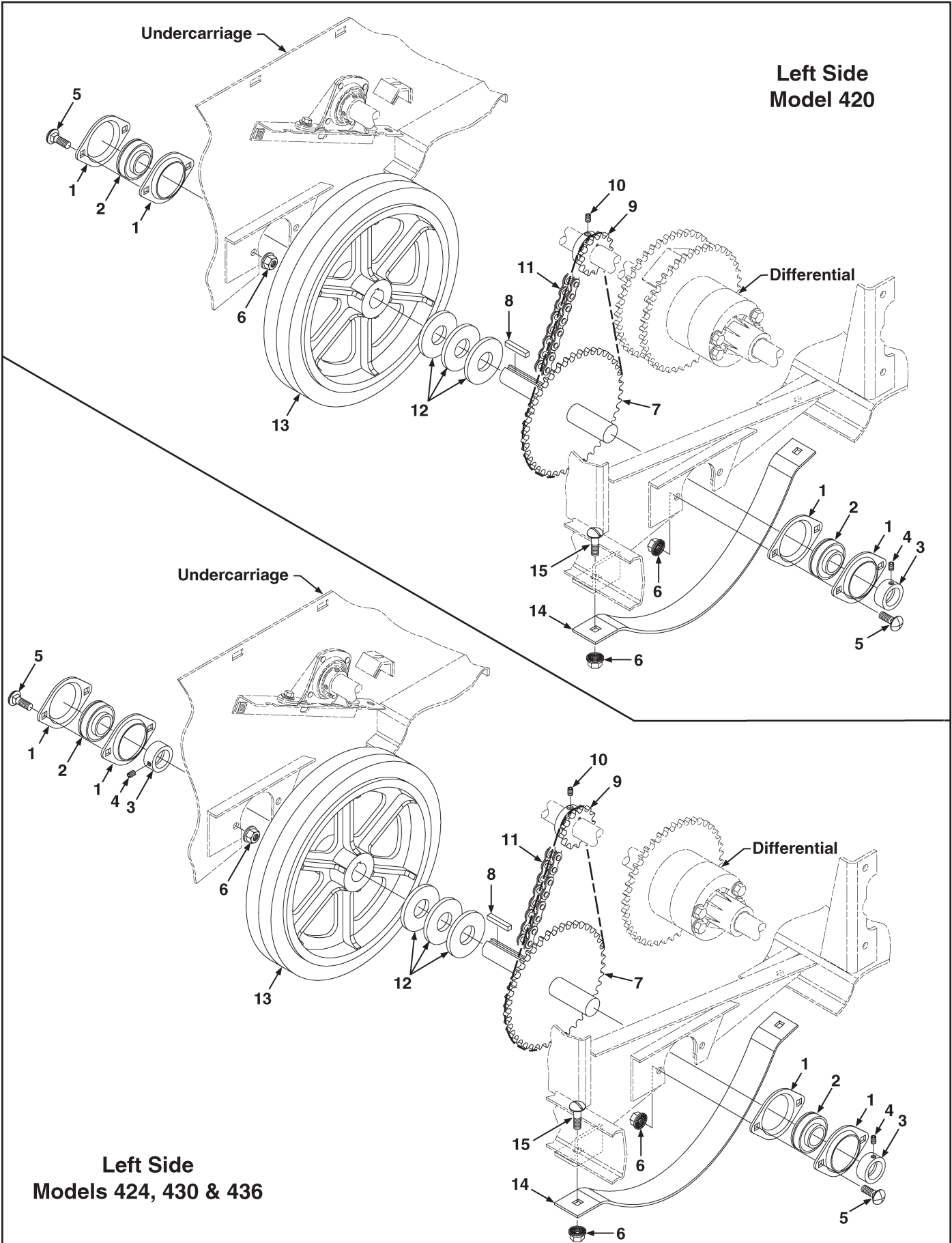
AR - As Required

NSS - Not Serviced Separately

ASN - After Serial No.

BSN - Before Serial No.

SN - Serial No.



Left Side  
Model 420

Left Side  
Models 424, 430 & 436

**Figure 21. Drive Wheel Left Side & Related Parts**

| ITEM  | PART NUMBER | QTY | DESCRIPTION   |
|---|-------------|-----|---|
| 1   | 202-916     | 2   | Flangette, 2 Hole   |
| 2   | 202-915     | 1   | Bearing, Ball, 1", Includes Items 3 & 4                             |
| 3   | NSS         | 1   | Collar  |
| 4   | NSS         | 1   | Setscrew  |
| 5   | 63-009      | 8   | Bolt, Carriage, 5/16"-18UNC x 3/4" Long                             |
| 6   | 63-010      | AR  | Nut, Flanged Hex, Whiz, 5/16"-18UNC                                 |
| 7   | 322-065     | 1   | Axle & Sprocket WA, LH, Model 420                                   |
|   | 404-246     | 1   | Axle & Sprocket WA, LH, Models 424, 430 & 436                       |
| 8   | 69-003      | 1   | Key, 1/4" Sq. x 2-1/2" Long   |
| 9   | 404-807     | 2   | Sprocket, Hardened, 1" Bore, 12 Teeth, Includes Item 10             |
| 10  | NSS         | 2   | Setscrew  |
| 11  | 404-809*    | 1   | Chain, Roller, #40 - 59 Pitches                                     |
| 12  | 68-001      | AR  | Washer, Flat, 1", 1/8" Thick  |
|   | 68-003      | AR  | Washer, Flat, 1", 3/64" Thick                                       |
| 13  | 202-900     | 1   | Wheel, 12"  |
| 14  | 404-111     | 1   | Guard, Chain  |
| 15  | 63-016      | 2   | Screw, Whiz, Truss Head, 5/16"-18UNC x 1/2" Long                    |
|   |             |     | *Note: Drive Chain Item 11 is the same on all 3 figures 18, 20 & 21 |
| AR - As Required    NSS - Not Serviced Separately    ASN - After Serial No.    BSN - Before Serial No.    SN - Serial No. |             |     |   |

To order proper bearing for your wheel, measure the inside diameter of the wheels hub.

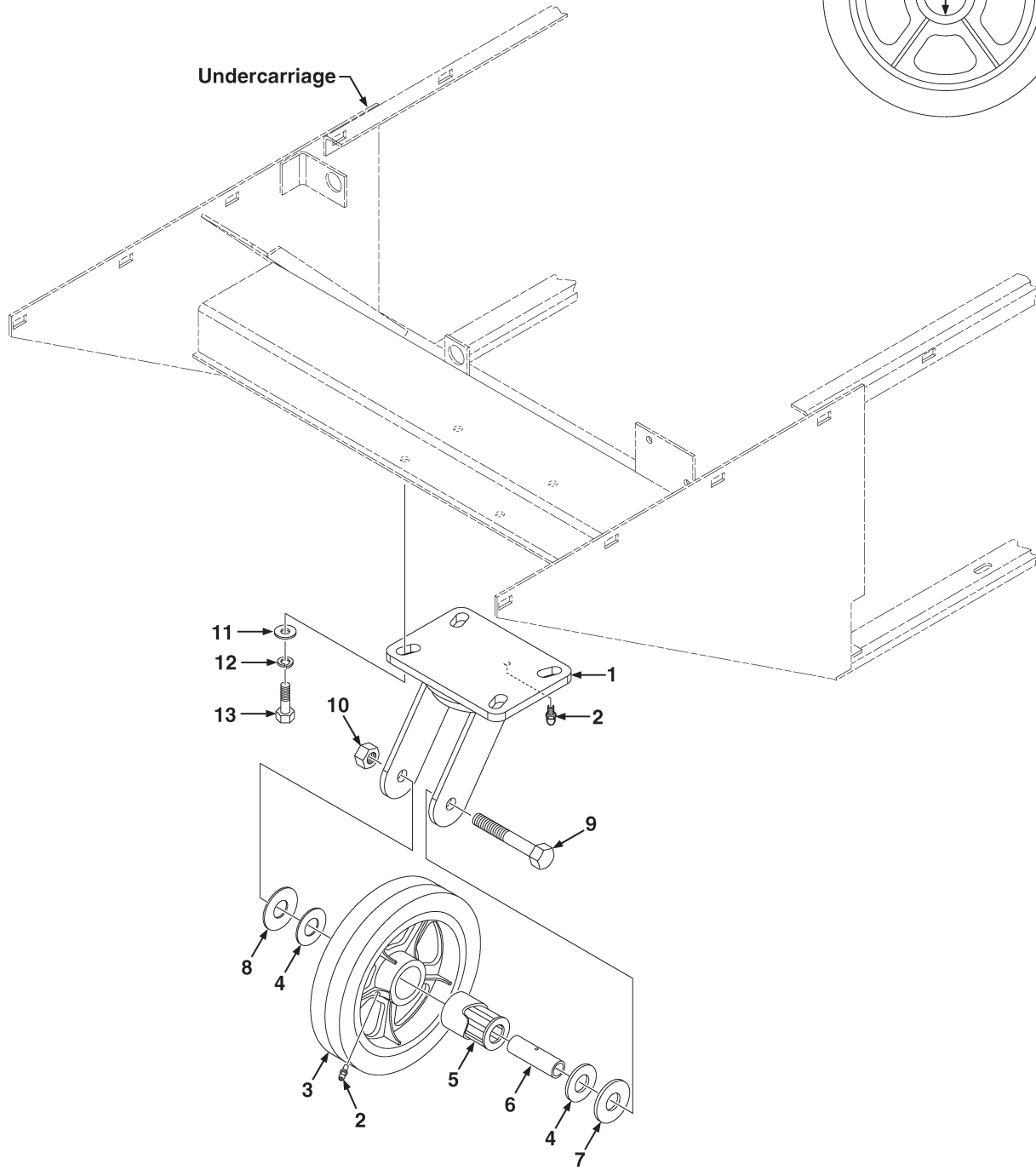
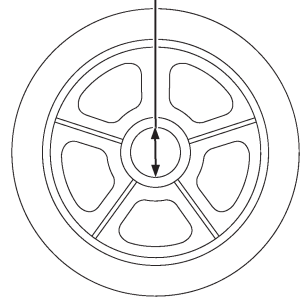
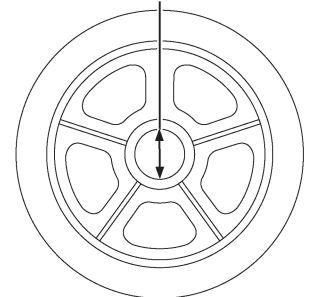




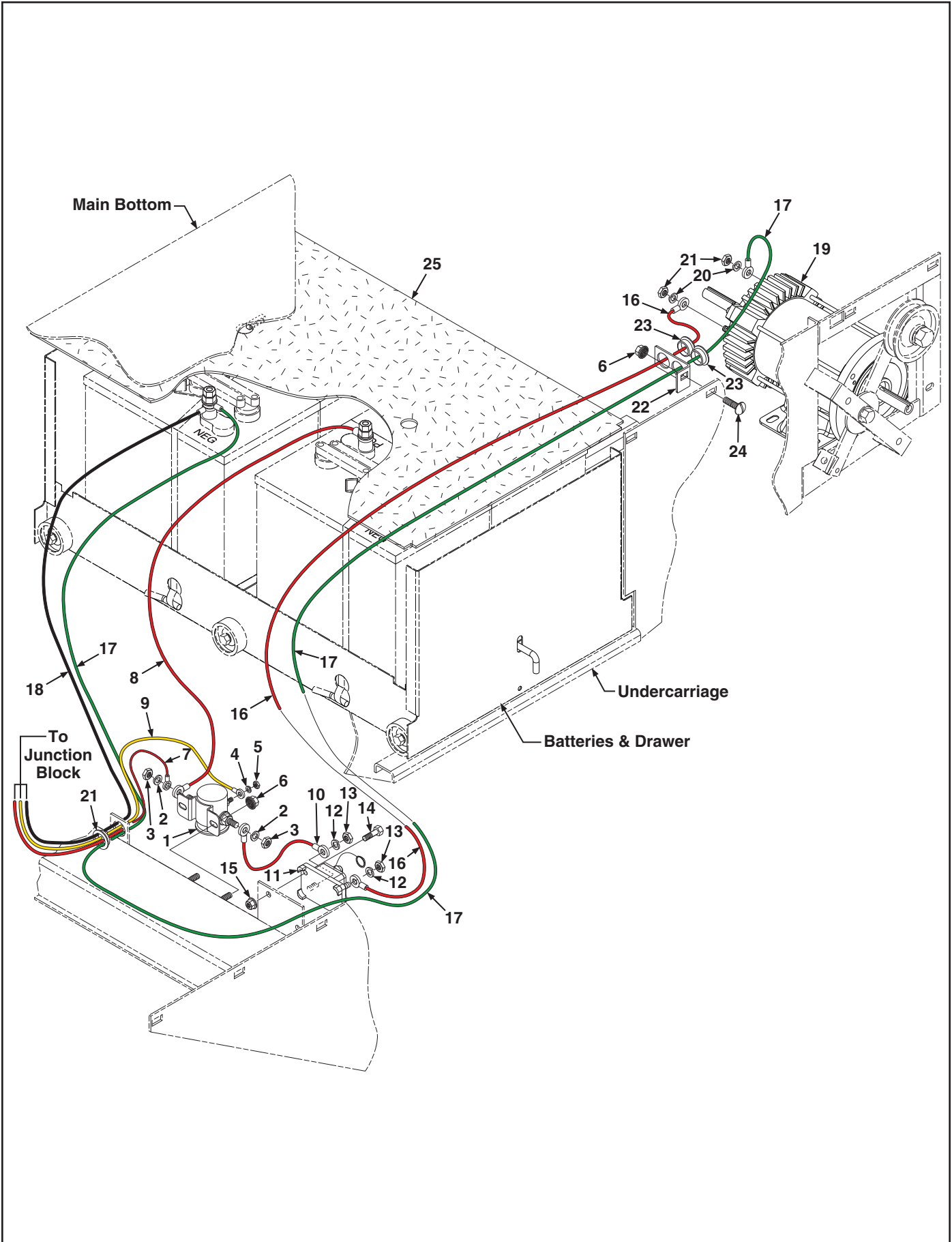
Figure 22. Caster Wheel & Related Parts

| ITEM | PART NUMBER | QTY | DESCRIPTION  |
|------|-------------|-----|--|
|      | 202-372     | 1   | Caster Wheel Unit 6", Models 420 & 424                     |
|      | 202-372HD   | 1   | Caster Wheel Unit 6", Heavy Duty, Models 420 & 424         |
|      | 202-901MD   | 1   | Caster Wheel Unit 8", Model 430                            |
|      | 202-901HD   | 1   | Caster Wheel Unit 8", Heavy Duty, Models 430 & 436         |
|      |             |     | Includes Items 1 thru 10                                   |
| 1    | 202-380     | 1   | Fork, Caster, 6", Models 420 & 424                         |
|      | 202-380HD   | 1   | Fork, Caster, 6", Heavy Duty, Models 420 & 424             |
|      | 202-676MD   | 1   | Fork, Caster, 8", Model 430                                |
|      | 202-676HD   | 1   | Fork, Caster, 8", Heavy Duty, Models 430 & 436             |
| 2    | 303-074     | 2   | Fitting, Lube  |
| 3    | 202-373     | 1   | Wheel, Caster, 6", Models 420 & 424                        |
|      | 202-373HD   | 1   | Wheel, Caster, 6", Heavy Duty, Models 420 & 424            |
|      | 202-677     | 1   | Wheel, Caster, 8", Model 430                               |
|      | 202-677HD   | 1   | Wheel, Caster, 8", Heavy Duty, Models 430 & 436            |
|      |             |     | IF ID of Wheel Hub = 1-3/16"                               |
| 4    | 303-071     | 2   | Washer, Flat, Bearing Retaining, 3/4" ID x 1-3/16" OD      |
|      | 202-381     | 1   | Bearing & Bushing Assembly, 1-3/16", Includes Items 5 & 6  |
| 5    | 303-065     | 1   | Bearing & Sleeve   |
| 6    | 303-064     | 1   | Bushing, Spanner   |
| 7    | 67-007      | AR  | Washer, Flat, 3/4" ID x 2" OD                              |
| 8    | 67-007      | AR  | Washer, Flat, 3/4" ID x 2" OD                              |
| 9    | 65-018      | 1   | Bolt, Hex Head, 1/2"-13UNC x 3-1/2" Long                   |
| 10   | 65-019      | 1   | Nut, Hex, Lock, 1/2"-13UNC                                 |
|      |             |     | IF ID of Wheel Hub = 1-7/16"                               |
| 4    | 303-072     | 2   | Washer, Flat, Bearing Retaining, 3/4" ID x 1-7/16" OD      |
|      | 202-998     | 1   | Bearing & Bushing Assembly, 1-7/16", Includes Items 5 & 6  |
| 5    | 303-066     | 1   | Bearing & Sleeve   |
| 6    | 303-064     | 1   | Bushing, Spanner   |
| 7    | 67-007      | AR  | Washer, Flat, 3/4" ID x 2" OD                              |
| 8    | 67-007      | AR  | Washer, Flat, 3/4" ID x 2" OD                              |
| 9    | 65-018      | 1   | Bolt, Hex Head, 1/2"-13UNC x 3-1/2" Long                   |
| 10   | 65-019      | 1   | Nut, Hex, Lock, 1/2"-13UNC                                 |
|      |             |     | IF ID of Wheel Hub = 1-15/16"                              |
| 4    | 303-073     | 2   | Washer, Flat, Bearing Retaining, 1" ID x 1-15/16" OD       |
|      | 202-999     | 1   | Bearing & Bushing Assembly, 1-15/16", Includes Items 5 & 6 |
| 5    | 303-063     | 1   | Bearing & Sleeve   |
| 6    | 303-062     | 1   | Bushing, Spanner   |
| 7    | 68-005      | AR  | Washer, Flat, 1" ID x 2-1/2" OD x 1/8" Thick               |
| 8    | 68-004      | AR  | Washer, Flat, 1" ID x 2-1/2" OD x 1/16" Thick              |
| 9    | 67-003      | 1   | Bolt, Hex Head, 3/4"-10UNC x 5" Long                       |
|      | 67-008*     | 1   | Bolt, Hex Head, 3/4"-10UNC x 5" Long                       |
| 10   | 67-004      | 1   | Nut, Hex, Lock, 3/4"-10UNC                                 |
| 11   | 65-014      | 4   | Washer, Flat, 1/2" SAE                                     |
| 12   | 65-003      | 4   | Washer, Lock, 1/2"   |
| 13   | 65-013      | 4   | Bolt, Hex Head, 1/2"-13UNC x 1-1/4" Long                   |
|      |             |     | * W/Grease Fitting, 6" Heavy Duty Wheel Only               |

To order proper bearing for your wheel, measure the inside diameter of the wheels hub.



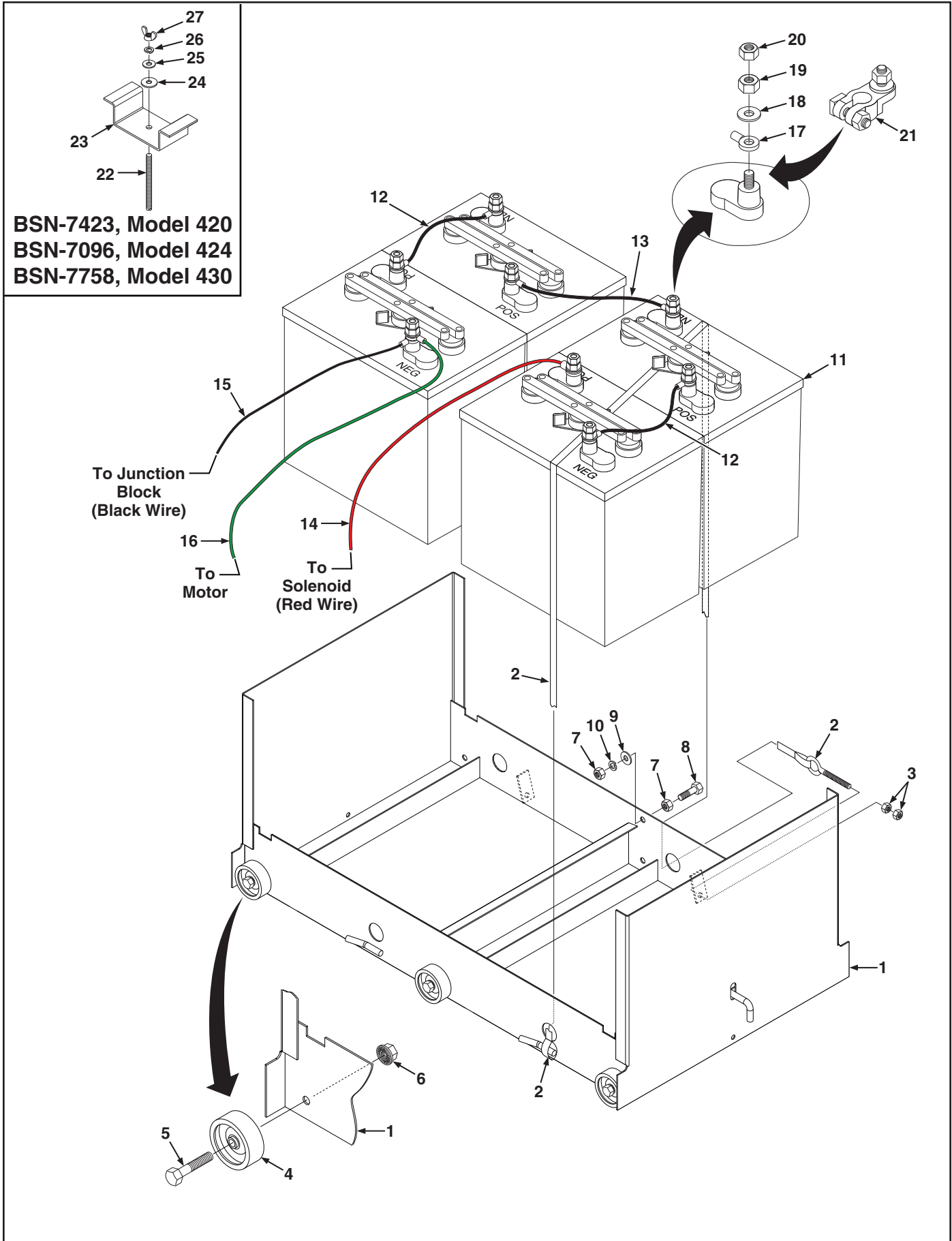
AR - As Required      NSS - Not Serviced Separately      ASN - After Serial No.      BSN - Before Serial No.      SN - Serial No.



**Figure 23. Solenoid, Circuit Breaker & Related Parts**

| ITEM | PART NUMBER | QTY | DESCRIPTION   |
|------|-------------|-----|---|
| 1    | 202-405     | 1   | Solenoid, 24 Volt (Special), Includes Items 2 thru 5  |
| 2    | NSS         | 2   | Washer, Lock  |
| 3    | NSS         | 2   | Nut, Hex  |
| 4    | NSS         | 1   | Washer, Lock  |
| 5    | NSS         | 1   | Nut, Hex  |
| 6    | 63-010      | 2   | Nut, Flanged Hex, Whiz, 5/16"-18UNC   |
| 7    | 322-028     | 1   | Wire, Red, Junction Block to Solenoid, Model 420  |
|      | 404-320     | 1   | Wire, Red, Junction Block to Solenoid, Model 424  |
|      | 404-515     | 1   | Wire, Red, Junction Block to Solenoid, Models, 430 & 436  |
| 8    | 322-072     | 1   | Wire, Red, Solenoid to Battery, Model 420   |
|      | 202-568     | 1   | Wire, Red, Solenoid to Battery, Models 424 & 430  |
|      | 404-611     | 1   | Wire, Red, Solenoid to Battery, Model 436   |
| 9    | 322-030     | 1   | Wire, Yellow, Junction Block to Solenoid, Model 420   |
|      | 404-319     | 1   | Wire, Yellow, Junction Block to Solenoid, Model 424   |
|      | 404-514     | 1   | Wire, Yellow, Junction Block to Solenoid, Models 430 & 436  |
| 10   | 404-429     | 1   | Wire, Red, Solenoid to Circuit Breaker, Models 420, 424 & 430   |
|      | 404-612     | 1   | Wire, Red, Solenoid to Circuit Breaker, Model 436   |
| 11   | 404-856     | 1   | Circuit Breaker, 120 Amp, Includes Items 12 & 13<br>Model 420 ASN-9553, Model 424 ASN-9645,<br>Model 430 ASN-10167 & Model 436 ASN-8874 |
| 12   | NSS         | 2   | Washer, Lock  |
| 13   | NSS         | 2   | Nut, Hex  |
| 14   | 62-013      | 2   | Bolt, Hex Head, 1/4"-20UNC x 3/4" Long  |
| 15   | 62-002      | 2   | Nut, Flange Hex, Whiz, 1/4"-20UNC   |
| 16   | 404-846     | 1   | Wire, Red, Circuit Breaker to Motor, Scott Motor W/Glassboard,<br>Models 420, 424 & 430   |
|      | 404-838     | 1   | Wire, Red, Circuit Breaker to Motor, Scott Motor No Glassboard,<br>Models 420, 424 & 430  |
|      | 404-842     | 1   | Wire, Red, Circuit Breaker to Motor, Baldor Motor W/Glassboard,<br>Models 420, 424 & 430  |
|      | 202-595     | 1   | Wire, Red, Circuit Breaker to Motor, Baldor Motor No Glassboard,<br>Models 420, 424 & 430   |
|      | 404-613     | 1   | Wire, Red, Circuit Breaker to Motor, Model 436  |
| 17   | 322-071     | 1   | Wire, Green, Battery to Motor, Scott Motor W/Glassboard, Model 420  |
|      | 404-847     | 1   | Wire, Green, Battery to Motor, Scott Motor No Glassboard, Model 420   |
|      | 404-847     | 1   | Wire, Green, Battery to Motor, Scott Motor W/Glassboard, Models 424 & 430   |
|      | 404-839     | 1   | Wire, Green, Battery to Motor, Scott Motor No Glassboard, Models 424 & 430  |
|      | 404-843     | 1   | Wire, Green, Battery to Motor, Baldor Motor W/Glassboard, Models 424 & 430  |
|      | 202-599     | 1   | Wire, Green, Battery to Motor, Baldor Motor No Glassboard,<br>Models 424 & 430  |
|      | 404-614     | 1   | Wire, Black, Battery to Motor, Model 436  |
| 18   | 322-029     | 1   | Wire, Black, Junction Block to Battery, Model 420   |
|      | 404-321     | 1   | Wire, Black, Junction Block to Battery, Model 424   |
|      | 404-516     | 1   | Wire, Black, Junction Block to Battery, Model 430   |
|      | 404-606     | 1   | Wire, Black, Junction Block to Battery, Model 436   |
| 19   | 321-600S    | 1   | Motor, 24 Volt DC, Scott (Shown), Model 420   |
|      | 202-600S    | 1   | Motor, 24 Volt DC, Scott (Shown), Models 424, 430 & 436   |
|      | 321-600BR   | 1   | Motor, 24 Volt DC, Baldor (Not Shown), Model 420, Rebuilt   |
|      | 202-600BR   | 1   | Motor, 24 Volt DC, Baldor (Not Shown), Includes Item 20 & 21  |
| 20   | NSS         | 2   | Washer, Lock  |
| 21   | NSS         | 2   | Nut, Hex  |
| 22   | 404-216     | 1   | Wire Guide  |
| 23   | 202-962     | 3   | Grommet   |
| 24   | 63-016      | 1   | Screw, Wiz, Truss Head, 5/16"-18UNC x 1/2" Long   |
| 25   | 404-227     | 1   | Glassboard,<br>Model 420 ASN-7423, Model 424 ASN-7095 & Model 430 ASN-7757  |

AR - As Required      NSS - Not Serviced Separately      ASN - After Serial No.      BSN - Before Serial No.      SN - Serial No.



**Figure 24. Battery Drawer, Batteries & Related Parts**

| ITEM | PART NUMBER | QTY | DESCRIPTION   |
|------|-------------|-----|---|
|      | 321-265     | 1   | Drawer Assembly, Model 420, Includes Items 1 thru 6                         |
|      | 404-265     | 1   | Drawer Assembly, Models 424, 430 & 436, Includes Items 1 thru 6             |
| 1    | 321-266     | 1   | Drawer WA, Model 420  |
|      | 404-266     | 1   | Drawer WA, Models 424, 430 & 436  |
| 2    | 404-239     | 2   | Strap, Battery Tie Down   |
| 3    | 62-009      | 4   | Nut, Hex, 1/4"-20UNC  |
| 4    | 404-848     | 6   | Roller  |
| 5    | 62-027      | 6   | Bolt, Hex Head, 1/4"-20UNC x 1-1/4" Long                                    |
| 6    | 62-002      | 6   | Nut, Flange Hex, Whiz, 1/4"-20UNC   |
| 7    | 64-009      | 2   | Nut, Hex, 3/8"-16UNC  |
| 8    | 64-003      | 1   | Bolt, Hex Head, 3/8"-16UNC x 1" Long  |
| 9    | 64-005      | 1   | Washer, Flat, 3/8" USS  |
| 10   | 64-006      | 1   | Washer, Lock, 3/8"  |
| 11   | 202-966W4   | 4   | Battery, 6 Volt, Wet  |
| 12   | 202-597     | 2   | Wire, Green, Battery to Battery, Models 420, 424 & 430                      |
|      | 404-615     | 2   | Wire, Black, Battery to Battery, Model 436                                  |
| 13   | 202-598     | 1   | Wire, Green, Battery to Battery, Models 420, 424 & 430                      |
|      | 404-616     | 1   | Wire, Black, Battery to Battery, Model 436                                  |
| 14   | 322-072     | 1   | Wire, Red, Solenoid to Battery, Model 420                                   |
|      | 202-568     | 1   | Wire, Red, Solenoid to Battery, Models 424 & 430                            |
|      | 404-611     | 1   | Wire, Red, Solenoid to Battery, Model 436                                   |
| 15   | 322-029     | 1   | Wire, Black, Junction Block to Battery, Model 420                           |
|      | 404-321     | 1   | Wire, Black, Junction Block to Battery, Model 424                           |
|      | 404-516     | 1   | Wire, Black, Junction Block to Battery, Model 430                           |
|      | 404-606     | 1   | Wire, Black, Junction Block to Battery, Model 436                           |
| 16   | 322-071     | 1   | Wire, Green, Battery to Motor, Scott Motor W/Glassboard, Model 420          |
|      | 404-847     | 1   | Wire, Green, Battery to Motor, Scott Motor No Glassboard, Model 420         |
|      | 404-847     | 1   | Wire, Green, Battery to Motor, Scott Motor W/Glassboard, Models 424 & 430   |
|      | 404-839     | 1   | Wire, Green, Battery to Motor, Scott Motor No Glassboard, Models 424 & 430  |
|      | 404-843     | 1   | Wire, Green, Battery to Motor, Baldor Motor W/Glassboard, Models 424 & 430  |
|      | 202-599     | 1   | Wire, Green, Battery to Motor, Baldor Motor No Glassboard, Models 424 & 430 |
|      | 404-614     | 1   | Wire, Black, Battery to Motor, Model 436                                    |
| 17   | 202-957     | AR  | Terminal, Wire, 8 Gauge, 5/16" Ring   |
| 18   | 212-213     | 1   | Protector, Battery Terminal, Bag of 8                                       |
| 19   | 63-037SS    | 8   | Nut, Hex, SS, 5/16"-18UNC   |
| 20   | 63-033      | 8   | Nut, Hex, Nylon, 5/16"-18UNC  |
| 21   | 202-984     | AR  | End, Battery Post Repair, Clamp   |
| 22   | 202-558     | 1   | Rod, Threaded, 1/4"-20UNC x 8" Long   |
| 23   | 202-559     | 1   | Bracket, Battery Hold Down  |
| 24   | 202-557     | 1   | Washer, Flat, 1/4" ID x 2-3/16" OD  |
| 25   | 62-012      | 1   | Washer, Flat, 1/4" SAE  |
| 26   | 62-006      | 1   | Washer, Lock, 1/4"  |
| 27   | 62-004      | 1   | Nut, Wing, 1/4"-20UNC   |

AR - As Required      NSS - Not Serviced Separately      ASN - After Serial No.      BSN - Before Serial No.      SN - Serial No.

# WEAVERLINE Figure 25. Decals

**1** WEAVERLINE

**2** 420  
HYDROSTATIC

**3** 424  
HYDROSTATIC

**4** 430  
HYDROSTATIC

**5** 436  
HYDROSTATIC

**6** CHARGING INSTRUCTIONS  
 IMPORTANT! For long battery life:  
 \* Charge only after meter shows recharge.  
 \* Do not charge more often than necessary.  
 \* Check water level in battery once a month, or more often if necessary. Add water if needed.  
 \* Get final use out of old batteries by charging more often.

**7** FEEDRATE  
 6 5 4 3 2 1  
 BEATERS  
 LOAD AND START

**8** PULL LEVER OUT FOR  
**FREE WHEELING**  
**ONLY** TO PUSH CART  
 WITHOUT MOTOR RUNNING

**9** 10 9 8 7 6 5 4 3 2 1 0 1 2 3 4 5 6 7 8 9 10  
 REVERSE FORWARD

**10** FEEDER CLUTCH

**11** FORWARD  
 REVERSE

**12** **WARNING**  
 1. Always remove key when servicing or when not in use.  
 2. Make certain everyone is clear of cart before engaging either the feeding or propelling drive.  
 3. Operate cart at a safe speed.  
 4. Shut off motor when loading or stopping feeding even for short time.  
 5. Keep shields in place.  
 6. Always shield eyes when working near batteries.  
**FAILURE TO HEED MAY RESULT IN PERSONAL INJURY**

Figure 25. Decals

| ITEM | PART NUMBER | QTY | DESCRIPTION                    |
|------|-------------|-----|--------------------------------|
| 1    | 212-227     | 3   | Decal, Weaverline              |
| 2    | 212-245     | 2   | Decal, 420 Hydrostatic         |
| 3    | 212-228     | 2   | Decal, 424 Hydrostatic         |
| 4    | 212-230     | 2   | Decal, 430 Hydrostatic         |
| 5    | 212-229     | 2   | Decal, 436 Hydrostatic         |
| 6    | 212-231     | 1   | Decal, Charging Instructions   |
| 7    | 212-232     | 1   | Decal, Feed Rate               |
| 8    | 212-237     | 1   | Decal, Free Wheeling           |
| 9    | 212-233     | 1   | Decal, Speed Indicator         |
| 10   | 212-236     | 1   | Decal, Feeder Clutch           |
| 11   | 212-238     | 1   | Decal, Forward/Reverse         |
| 12   | 212-235     | 1   | Decal, Warning                 |
|      | 212-244     | 1   | Kit, Decal, Full Set Model 420 |
|      | 212-225     | 1   | Kit, Decal, Full Set Model 424 |
|      | 212-226     | 1   | Kit, Decal, Full Set Model 430 |
|      | 212-247     | 1   | Kit, Decal, Full Set Model 436 |

AR - As Required      NSS - Not Serviced Separately      ASN - After Serial No.      BSN - Before Serial No.      SN - Serial No.