



# COMPACT ATTACHMENTS

# Selection, Innovation, Performance

Your One-Stop Shop  
for Hydraulic Tools  
and Attachments



**STANLEY**  
Infrastructure

PRICING EFFECTIVE JUNE 19, 2023  
REVISED JULY 14, 2023

INDUSTRIAL TOOLS & ATTACHMENTS

**PALADIN** **STANLEY** **LABOUNTY** **PENGO**

# YOUR "ONE-STOP SHOP"

## FOR HYDRAULIC TOOLS AND ATTACHMENTS



Paladin is the one-stop-shop for quality, productive and powerful attachment tools. In addition to the extensive independent Paladin dealer network, Paladin manufactures construction equipment attachments for companies such as Caterpillar, Komatsu and John Deere to sell under their respective trademarks. Contact us today to inquire as to our manufacturing services for your construction equipment attachments.

# FEATURED PRODUCT

## FD60 FORESTRY DISK MULCHER



### Maximize Productivity and Up-Time

- Wide-angle intake promotes mulching and helps avoid jams
- Ultra-efficient drive system starts up fast and delivers tremendous power to the head

### Minimize Service Time and Costs

- Zero-maintenance bearing housing never needs to be greased
- Reinforced debris shovel keeps teeth out of the dirt and places material perfectly for optimal processing
- Interchangeable QUADCO teeth simplifies service and allows for tooth rotation to combat uneven wear patterns

### Flexible Across Applications

- Control debris projection with a two-position, adjustable deflector
- Removable debris shovel allows teeth to work below grade and provides easier processing of light brush
- Dual-function push bar smoothly pulls trees in on the right side, grabs to manipulate trees on the left side

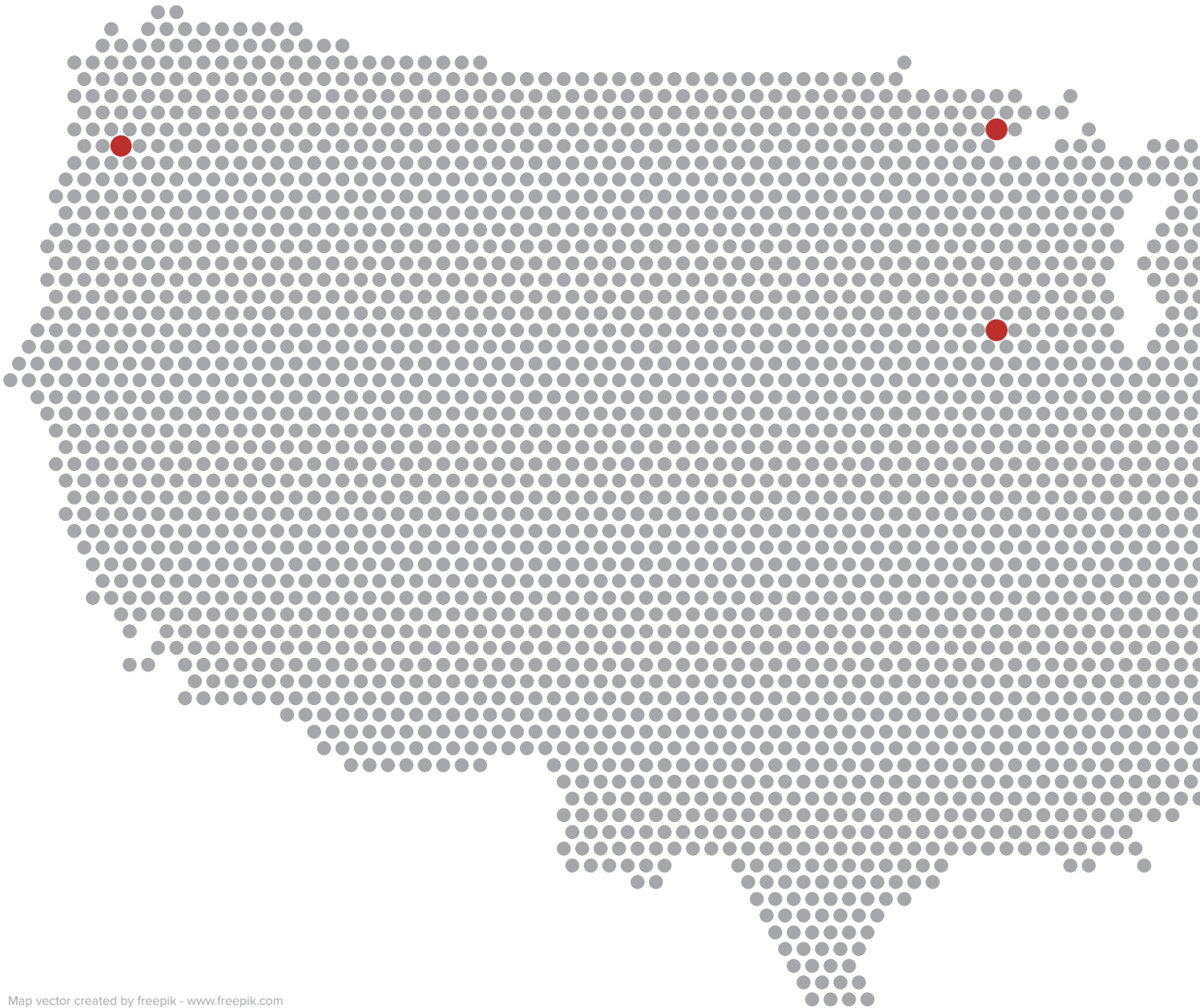
### Reap the Benefits of Superior Power

Paladin MulchPower™ Technology provides live, dynamic power and loading feedback to the operator through a unique pressure monitoring gauge. With MulchPower™ operators can see when the tool is fully charged and also when it is nearing a state of being overloaded, so that operating technique can be adjusted to maximize performance.

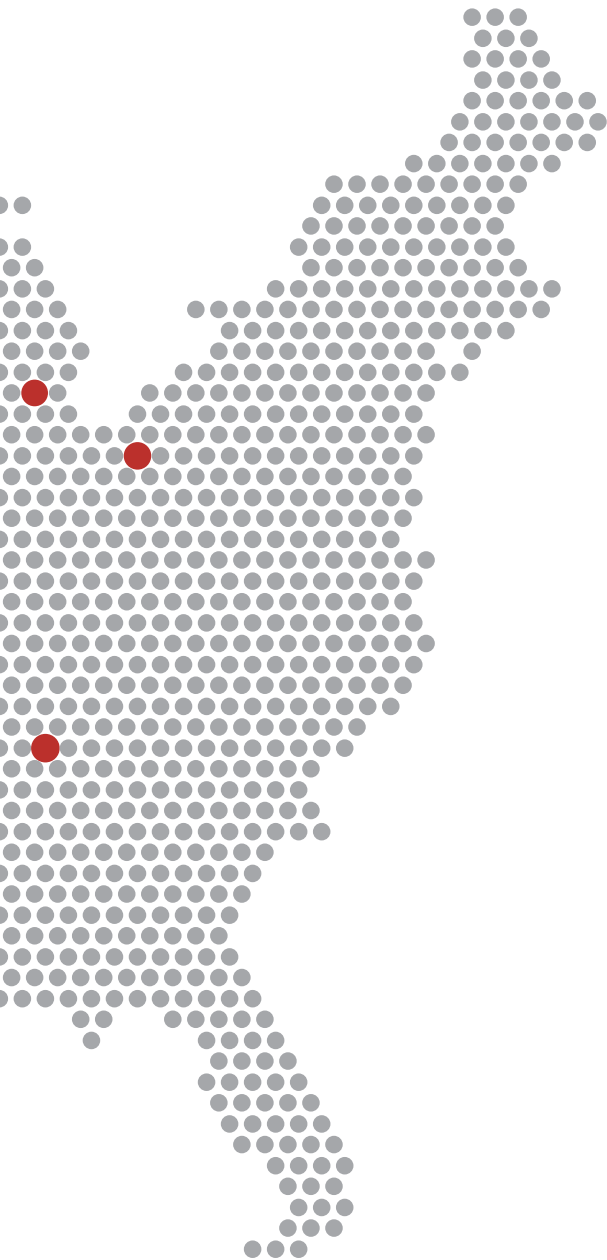


- **RUN AT PEAK POWER:** Greater starting power improves cutting efficiency and tool life, increasing overall job productivity and decreasing total operating costs.
- **AVOID JAMMING:** Greater starting power dramatically reduces the likelihood of jamming and stalling.
- **WORK WITH CONFIDENCE:** Conditions change from job to job. MulchPower™ lets you be more aggressive when the job will allow it, letting you maximize your production.

# MANUFACTURING FACILITIES



Map vector created by freepik - [www.freepik.com](http://www.freepik.com)



### **Dexter Facility**

2800 Zeeb Road  
Dexter, MI, 48130

### **Akron Facility**

820 Glaser Parkway  
Akron, OH, 44306

### **Delhi Facility**

503 Gay Street  
Delhi, IA, 52223

### **Ooltewah Facility**

8822 Apison Pike  
Ooltewah, TN, 37363

### **Surrey Facility**

19490 92<sup>nd</sup> Avenue  
Surrey, B.C. Canada V4N 4G7

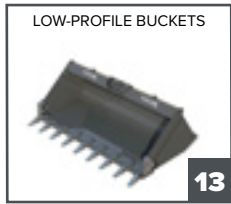
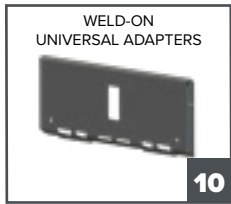
### **Milwaukie Facility**

3810 SE Naef Road  
Milwaukie, OR 97267

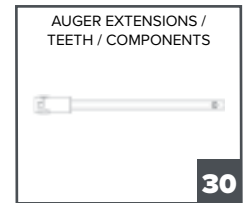
### **Two Harbors Facility**

1538 Hwy 2  
Two Harbors, MN 55616

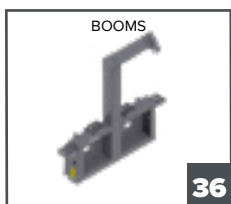
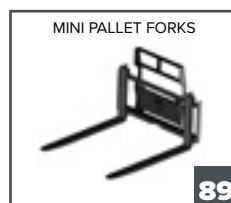
## ADAPTERS, BUCKETS, GRAPPLES & ACCESSORIES



## AUGERS



## MATERIAL HANDLING

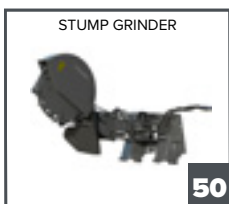


## SNOW & ICE



## BRUSH & TREE MANAGEMENT

CHOOSE THE RIGHT TOOL 44



## DEMOLITION & RECYCLING



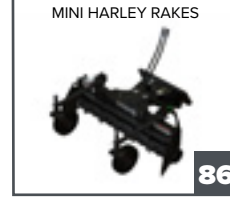
## SWEEPERS



## CONCRETE & ASPHALT



## SOIL PREPARATION **CHOOSE THE RIGHT TOOL 66**



## DIGGING & TRENCHING



## NURSERY TOOLS



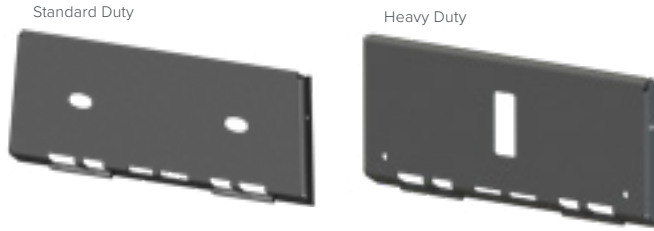


**QUALITY. PRODUCTIVE. POWERFUL.**



# WELD-ON UNIVERSAL ADAPTERS

## STANDARD DUTY / HEAVY DUTY



### FEATURES

- Welds to your implement to convert it to a universal hitch

WELD-ON UNIVERSAL ADAPTERS			
DUTY CLASS	WEIGHT	ORDER CODE	PRICE
Standard Duty (SD)	75 lbs	86914	\$376
Heavy Duty (HD)	123 lbs	88987	\$484

# TILT ATTACH™ ADAPTER

## HEAVY DUTY



### FEATURES

- Tilt Attach provides better utilization of skid steer on uneven terrain
- Optional valve package is mounted to Tilt Attach for use with hydraulic powered attachments
- Simple connection by electric wiring keeps valves and hoses out of operator's cabin
- Large spherical ball bushing in center pivot allows extra strength and durability
- Abrasion resistant plate steel allows longer life

TILT ATTACH ADAPTERS (96" HOSES INCLUDED)				
DUTY CLASS	WEIGHT	TILT	ORDER CODE	PRICE
Heavy Duty (HD)	400 lbs	+/- 14-deg	17446 _ 103603	\$4,268

ADDITIONAL HYDRAULIC FUNCTION OPTIONS			
DESCRIPTION	WEIGHT	ORDER CODE	PRICE
Universal valve package*	23 lbs	88725	\$1,325
Electrical control box**	10 lbs	15756	\$676

\*Required to operate additional hydraulic attachments

\*\*Not required if machine is equipped with auxiliary electrical outlet

CONTROLS (REQUIRED)		
DESCRIPTION	ORDER CODE	PRICE
14 pin Bobcat	110627	\$552
14 pin Kubota, Case, CAT, New Holland, Volvo, Ditch Witch, Gehl, Mustang, Komatsu	25887	\$551
14 pin John Deere	25904	\$552
14 pin Takeuchi	113330	\$582
8 pin CAT, ASV, Komatsu	25886	\$551
3 pin John Deere	25885	\$519

# CONSTRUCTION BUCKETS

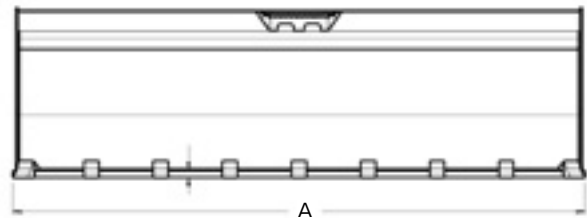
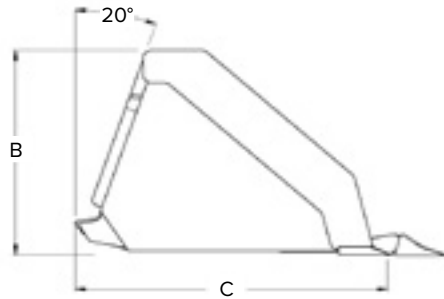
## BOLT-ON EDGE



### FEATURES

- Bolt-on side cutters included standard
- 75", 80" & 84" with 1" cutting edge and back drag plating for strength and protection from wear
- Optional bolt-on wear edge
- Strong box sections across the top, heel, and front edge
- High tensile side plates to support greater break out force
- Used for nursery applications, snow removal, & construction
- All bucket sizes available with H&L 23 series weld-on shanks and side pin teeth

## WELD-ON TEETH



### CONSTRUCTION BUCKETS

CONFIGURATION	(A) WIDTH	WEIGHT	(B) HEIGHT	(C) DEPTH	CAPACITY (HEAPED)	NO OF HOLES	HOLE SPACING	ORDER CODE	PRICE
Bolt-On Edge and Side Cutters Installed	75"	710 lbs	25"	38"	.75 yd	8	10"	125784	\$2,253
	80"	830 lbs	25"	38"	.9 yd	7	12"	125786	\$2,615
	84"	850 lbs	25"	38"	1 yd	9	10"	125788	\$3,075
Weld-On Teeth and Side Cutters Installed	75"	645 lbs	25"	38"	.75 yd	No bolt pattern available		125785	\$2,143
	80"	765 lbs	25"	38"	.9 yd	No bolt pattern available		125787	\$2,571
	84"	785 lbs	25"	38"	1 yd	No bolt pattern available		125789	\$2,957

### EDGES AND SIDE-CUTTER KITS

DESCRIPTION	WEIGHT	ORDER CODE	PRICE
Extreme-Duty Bolt-On Side Cutter Kit (Pair)	18 lbs	107786	\$148
75" Bolt-On Edge Kit	125 lbs	18880	\$680
80" Bolt-On Edge Kit	132 lbs	89578	\$710
84" Bolt-On Edge Kit	203 lbs	16183	\$715

# LIGHT MATERIAL BUCKETS

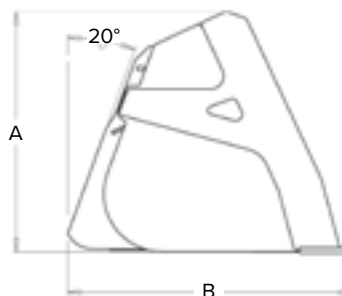
## TRACTOR DUTY



### FEATURES

- .75" x 6" high carbon, bevelled cutting edge
- Optional bolt-on wear edge
- Rolled inside surface for easier material clean out
- Fully integrated torque box design coupled with high tensile steel side profile cutter edges provide more load handling capacity
- Wear plating across bottom to prevent damage on bucket floor
- Forward swept top wrap to better contain wet or loose materials
- Heavy gauge bucket wrap material

## STANDARD DUTY



LIGHT MATERIAL BUCKETS										
DUTY CLASS	WIDTH	CONFIGURATION	WEIGHT	(A) HEIGHT	(B) DEPTH	CAPACITY (HEAPED)	HOLES	HOLE SPACING	ORDER CODE	PRICE
Tractor Duty (TD)	72"	with edge	595 lbs	26.5"	30"	.6 yd	11	6.5"	125882	\$2,038
	78"	with edge	614 lbs	27"	31.5"	.75 yd	9	9"	125883	\$2,100
	84"	with edge	653 lbs	27"	32"	.75 yd	9	10"	125884	\$2,180
Standard Duty (SD)	84"	without edge	740 lbs	35"	41"	1.6 yd	9	10"	102191	\$3,143
	84"	with edge	943 lbs	35"	41"	1.6 yd	9	10"	125920	\$3,450
	96"	without edge	880 lbs	35"	41"	2 yd	9	11"	102333	\$3,038
	96"	with edge	1112 lbs	35"	41"	2 yd	9	11"	125921	\$4,277
Standard Duty (SD) for Wheel Loaders	54"	without edge	490 lbs	31"	30"	.5 yd	5	11"	13294	\$2,530
	60"	without edge	598 lbs	29"	32"	.66 yd	7	9"	13326	\$2,949
	60"	without edge	720 lbs	34"	42"	1 yd	7	9"	13327	\$4,591
	72"	without edge	760 lbs	30"	36.5"	1 yd	7	11"	13133	\$3,462
	78"	without edge	1000 lbs	44"	50"	2 yd	7	11"	13328	\$5,583
	84"	without edge	975 lbs	36"	55"	2 yd	8	11"	12975	\$4,104

EDGES		
DESCRIPTION	ORDER CODE	PRICE
54" Bolt-On Edge Kit	12927	\$519
60" Bolt-On Edge Kit	15025	\$535
72" Bolt-On Edge Kit (11 holes @ 6.5")	307104	\$544
72" Bolt-On Edge Kit (7 holes @ 11")	15028	\$552
78" Bolt-On Edge Kit (9 holes @ 9")	16204	\$700

EDGES (cont.)		
DESCRIPTION	ORDER CODE	PRICE
78" Bolt-On Edge Kit (7 holes @ 10.83")	12597	\$851
84" Bolt-On Edge Kit (9 holes @ 9.75")	16183	\$715
84" Bolt-On Edge Kit (8 holes @ 11")	12506	\$715
96" Bolt-On Edge Kit	11002	\$800

# LOW PROFILE BUCKETS

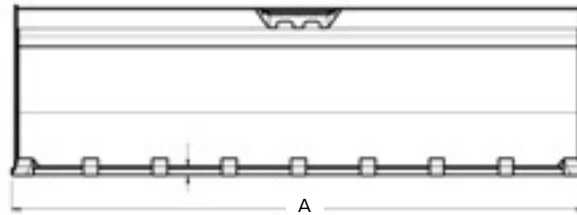
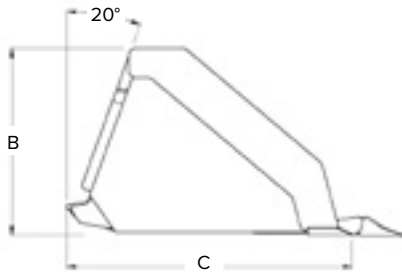
## STANDARD AND LONG FLOOR



Shown with weld-on teeth and side-cutters.  
Also available with bolt-on edge and side cutters.

### FEATURES

- Bolt-on side cutters included standard
- 30" standard floor buckets for more severe conditions when break out force is required
- 36" long floor buckets for better visibility, productivity & cutting grade
- Heavy edges 1" for 78" width and above .75" for less than 78"
- Strong box sections and full wear strips for better bottom protection
- High tensile side cutters tie into the front edge for better support
- All bucket sizes available with H&L 23 series weld-on shanks and side pin teeth



### LOW-PROFILE, HIGH-VISIBILITY LANDSCAPING BUCKETS (LPSF AND LPLF BUCKETS)

SERIES	(A) WIDTH	(B) HEIGHT	(C) DEPTH	WEIGHT	HOLES	HOLE SPACING	WITH WELD-ON TEETH AND SIDE-CUTTERS	PRICE	WITH BOLT-ON EDGE AND SIDE-CUTTERS	PRICE
Standard Floor (32" Floor)	60"	20"	32"	429 lbs	7	9"	KD33861	\$1,942	KD15120*	\$2,062
	68"	20"	32"	465 lbs	7	10"	KD111814	\$1,951	KD111813*	\$2,087
	72"	20"	32"	473 lbs	7	11"	KD113901	\$2,068	KD113900*	\$2,212
	78"	20"	32"	543 lbs	9	9"	KD16265	\$2,243	KD16270*	\$2,477
	84"	20"	32"	683 lbs	9	10"	KD16190	\$2,418	KD16180*	\$2,670
Long Floor (36" Floor)	68"	20"	36"	506 lbs	7	10"	KD111713	\$1,970	KD111712*	\$2,106
	72"	20"	36"	533 lbs	7	11"	KD113903	\$2,108	KD113902*	\$2,108
	75"	20"	36"	719 lbs	8	10"	125929	\$2,156	121488*	\$2,309
	78"	20"	36"	608 lbs	9	9"	KD16266	\$2,296	KD16271*	\$2,530
	80"	20"	36"	748 lbs	7	12"	KD111755	\$2,390	KD111754*	\$2,630
	84"	20"	36"	728 lbs	9	10"	KD16191	\$2,496	KD16181*	\$2,662

\*Hole pattern only applies to models with Bolt-on Edge

### EDGES AND SIDE-CUTTER KITS

DESCRIPTION	WEIGHT	ORDER CODE	PRICE
Extreme-Duty Bolt-On Side Cutter Kit (Pair)	18 lbs	107786	\$148
60" Bolt-On Edge Kit	124 lbs	15025	\$535
68" Bolt-On Edge Kit	110 lbs	111726	\$546
72" Bolt-On Edge Kit	120 lbs	15028	\$552

### EDGES AND SIDE-CUTTER KITS (cont.)

DESCRIPTION	WEIGHT	ORDER CODE	PRICE
75" Bolt-On Kit	125 lbs	18880	\$680
78" Bolt-On Edge Kit	130 lbs	16204	\$700
80" Bolt-On Edge Kit	132 lbs	89578	\$710
84" Bolt-On Edge Kit	136 lbs	15029	\$730

## 4-IN-1 MULTI-PURPOSE BUCKETS

### TRACTOR DUTY



#### FEATURES

- Functions as a loader bucket, clam, dozer, scraper, and bottom dump bucket
- Strong hinges & pins to distribute load
- Replacement bolt-on wear edge, bolt-on tooth bars, and bolt-on tooth bars that fit over weld-on wear edge

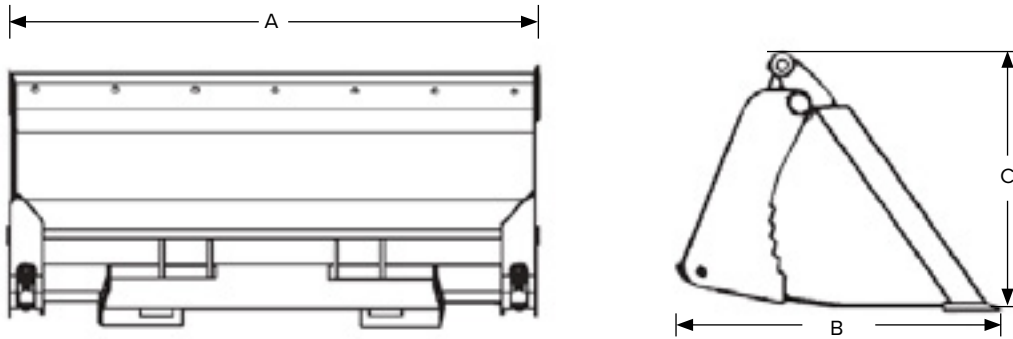
### STANDARD DUTY



### HEAVY DUTY



# 4-IN-1 MULTI-PURPOSE BUCKETS SPECIFICATIONS



## 4-IN-1 MULTI-PURPOSE BUCKETS (HOSES NOT INCLUDED)

DUTY CLASS	(A) WIDTH	WEIGHT	DEPTH	(C) LENGTH	CAPACITY	HEIGHT OPEN	(C) HEIGHT CLOSED	HOLES	HOLE SPACING	ORDER CODE	PRICE
Tractor Duty (TD)	60"	380 lbs	28"	34.5"		29"	27"	BOE not available		108196	\$3,944
	72"	430 lbs	28"	34.5"		29"	27"	BOE not available		108198	\$4,098
Standard Duty (SD) <i>Bolt-On Edge Optional</i>	60"	585 lbs	35"	34.5"	.53 yd	35"	28"	7	9"	111470	\$4,074
	66"	620 lbs	35"	34.5"	.58 yd	35"	28"	7	10"	108018	\$4,357
	72"	655 lbs	35"	34.5"	.64 yd	35"	28"	7	11"	108020	\$4,688
Heavy Duty (HD) <i>Bolt-On Edge and Side-Cutters Optional</i>	72"	900 lbs	38"	34.5"	.75 yd	35"	28"	9	9"	108022	\$5,298
	78"	935 lbs	38"	34.5"	.80 yd	35"	28"	9	10"	108024	\$5,459
	84"	975 lbs	38"	34.5"	.87 yd	35"	28"	9	10"	108026	\$5,654
Heavy Duty (HD) with Weld-On Teeth <i>Side-Cutters Optional</i>	72"	958 lbs	38"	34.5"	.75 yd	35"	28"	BOE not available		108023	\$5,404
	78"	993 lbs	38"	34.5"	.80 yd	35"	28"	BOE not available		108025	\$5,814
	84"	1040 lbs	38"	34.5"	.87 yd	35"	28"	BOE not available		108027	\$5,991

## HOSES (1/2" QD)

HOSE LENGTH	ORDER CODE	PRICE
66"	103577	\$278
75"	105845	\$335
94"	103603	\$305

## EDGES AND SIDE-CUTTER KITS

DESCRIPTION	WEIGHT	ORDER CODE	PRICE
Extreme-Duty Bolt-On Side Cutter Kit (Pair)	18 lbs	107786	\$148
60" Bolt-On Edge Kit	124 lbs	15025	\$535
66" Bolt-On Edge Kit	120 lbs	15027	\$550
72" Bolt-On Edge Kit	150 lbs	15028	\$552
78" Bolt-On Edge Kit	130 lbs	16204	\$700
84" Bolt-On Edge Kit	203 lbs	16183	\$715

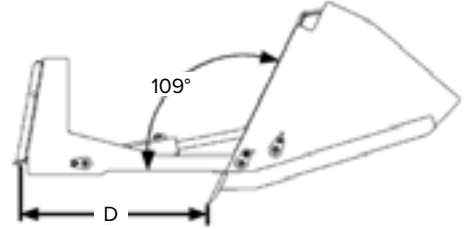
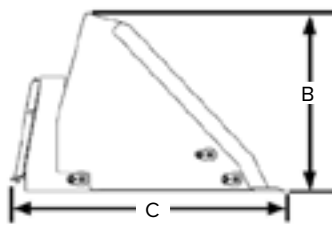
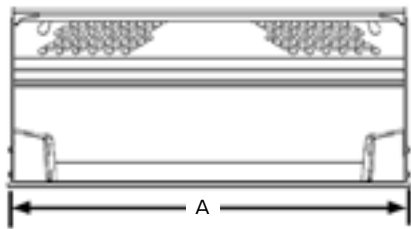
# HIGH-DUMP BUCKETS

## HEAVY DUTY



### FEATURES

- Robust industry leading design
- Increases dump height by 74" compared to standard buckets
- Dual cushion cylinders for smooth operation and rapid cycle times
- 1.5" diameter pivot pins from high-strength material



HIGH-DUMP BUCKETS (HOSES NOT INCLUDED)									
DUTY CLASS	(A) WIDTH	WEIGHT	(B) HEIGHT	(C) LENGTH	(D) DUMP REACH	HOLES	HOLE SPACING	ORDER CODE	PRICE
Standard Duty (SD)	60"	1000 lbs	32.5"	50"	34"	7	9"	122651	\$5,380
	72"	1170 lbs	32.5"	50"	34"	7	11"	122619	\$5,583
	84"	1275 lbs	32.5"	50"	34"	9	10"	122657	\$5,793
	96"	1359 lbs	32.5"	50"	34"	16	6"	122660	\$6,030

\*Does not include hoses or optional bolt-on edge.

HOSES (1/2" QD)		
HOSE LENGTH	ORDER CODE	PRICE
60"	MTG1113-0022	\$385
80"	MTG1113-0903	\$541
88"	MTG1113-9783	\$570
96"	117285	\$600

BOLT-ON EDGE KITS			
DESCRIPTION	WEIGHT	ORDER CODE	PRICE
60" Bolt-On Edge Kit	124 lbs	15025	\$535
72" Bolt-On Edge Kit	120 lbs	15028	\$552
84" Bolt-On Edge Kit	203 lbs	16183	\$715
96" Bolt-On Edge Kit	232 lbs	FFC10084	\$728



# SNOW BUCKETS

## STANDARD CAPACITY



### STANDARD CAPACITY FEATURES

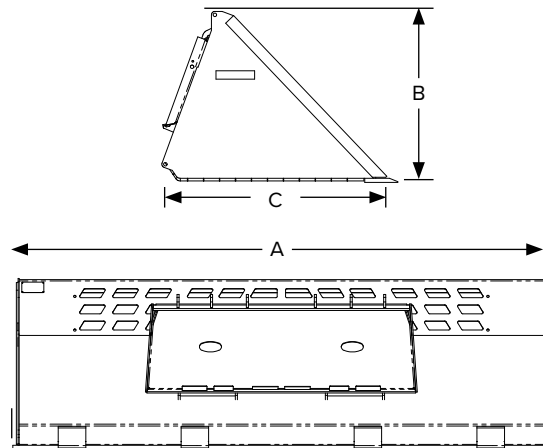
- See-through tall-back design enables high-capacity without sacrificing visibility
- Vertical reinforcements inside the bucket create strength and rigidity without compromising volume
- Wear guards on the bucket bottom extend life

## HIGH CAPACITY



### HIGH CAPACITY FEATURES

- Taller back and larger side plates, for increased capacity without increasing width
- 108" option moves nearly 3 yards of snow in a single scoop



### SNOW BUCKETS (INCLUDES BOLT ON EDGE)

DUTY CLASS	(A) WIDTH	WEIGHT	(B) HEIGHT	(C) DEPTH	CAPACITY (HEAPED)	HOLES	HOLE SPACING	ORDER CODE	PRICE
Standard Capacity	84"	733 lbs	30"	42"	1.47 yd	9	10"	11184-0022	\$3,257
	96"	795 lbs	30"	42"	1.70 yd	16	6"	11196-0022	\$3,589
	101"	820 lbs	30"	42"	1.82 yd	17	6"	11101-0022	\$3,769
High Capacity	96"	999 lbs	37.5"	46"	2.36 yd	16	6"	11197-0022	\$4,351
	101"	1020 lbs	37.5"	46"	2.52 yd	17	6"	11102-0022	\$4,443
	108"	1078 lbs	37.5"	46"	2.67 yd	18	6"	11108-0022	\$4,695

### BOLT-ON EDGE KITS

DESCRIPTION	WEIGHT	ORDER CODE	PRICE
84" Bolt-On Edge Kit	203 lbs	16183	\$715
96" Bolt-On Edge Kit	232 lbs	FFC10084	\$728
101" Bolt-On Edge Kit	247 lbs	118960	\$741
108" Bolt-On Edge Kit	254 lbs	10094	\$750

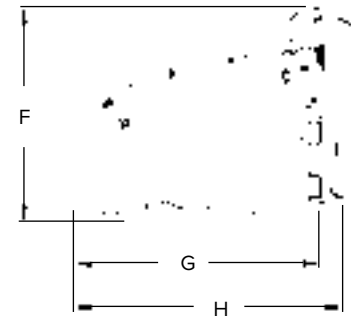
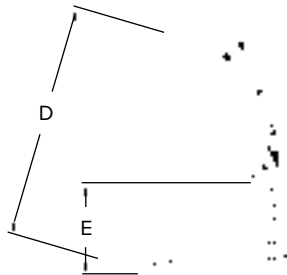
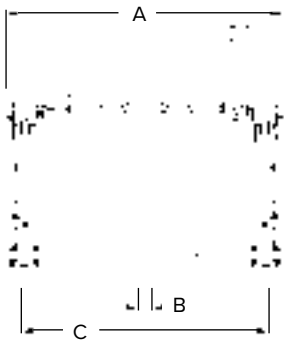
# ROCK BUCKETS

## HEAVY DUTY



### FEATURES

- One grapple assembly fits 66", 75", and 84" rock buckets with 2" and 3" bucket tine spacing
- Hooks are welded to front tube rather than individual bolted for added strength and ease of assembly
- Replaceable front tine assembly
- Hooks do not extend beyond front plane of bucket tines
- Grapple hooks interlock with bucket tines
- Added structure between grapple arms to trap and contain debris
- Spherical bearings, threaded cylinder glands, and secluded grease zerks for added durability
- Easy to assemble grapple mounting



### ROCK BUCKETS

DUTY CLASS	(A) WIDTH	(B) TINE SPACING	WEIGHT	(D) GRAPPLE OPENING	(E) BUCKET HEIGHT	(F) SHIPPING WIDTH GRAPPLE	(G) DEPTH NO MOUNTING	(H) DEPTH WITH MOUNTING	ORDER CODE	PRICE
Heavy Duty (HD)	66"	3"	555 lbs	60"	22"	38"	43"	50"	89627	\$2,727
	75"	2"	742 lbs	60"	22"	38"	43"	50"	16297	\$2,909
	75"	3"	625 lbs	60"	22"	38"	43"	50"	89646	\$2,760
	84"	3"	692 lbs	60"	22"	38"	43"	50"	16503	\$2,917

### OPTIONS

DESCRIPTION	(C) WIDTH	COMPATIBILITY	WEIGHT	ORDER CODE	PRICE
Grapple kit + 75" hose kit	60"	Heavy Duty Rock Buckets	510 lbs	104950 _ 105845	\$3,769

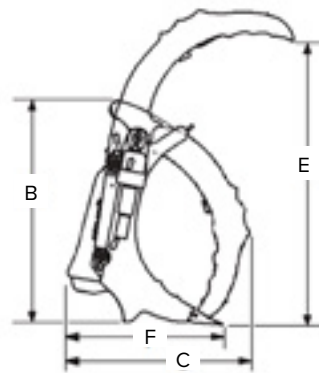
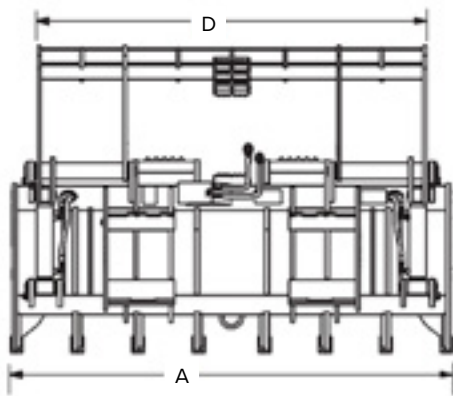
# ROOT GRAPPLES

## HEAVY DUTY



### FEATURES

- Leading edge of the grapple travels in a range of motion that pulls material into the bucket area to optimize its large capacity for brush and debris
- Constructed of high strength material with replaceable pin-on H&L style teeth for durability, serviceability, and extended life
- Pilot operated check for positive lock clamping
- Replaceable hardened steel bushings at all pivot locations
- Weld-on D-ring for countless applications



### ROOT GRAPPLES

DUTY CLASS	(A) WIDTH	WEIGHT	(E) GRAPPLE OPENING	(F) TOOTH POSITIONING	TINE THICKNESS	TINE SPACING	(B) HEIGHT	(C) LENGTH	(D) GRAPPLE WIDTH	ORDER CODE	PRICE
Heavy Duty (HD)	72"	1095 lbs	51"	25"	1.5"	9.5"	39"	31"	70"	123685	\$8,780
	78"	1150 lbs	51"	25"	1.5"	10"	39"	31"	70"	123682	\$9,022
	84"	1220 lbs	51"	25"	1.5"	8.5"	39"	31"	70"	123683	\$9,376

\*Includes 84" hoses with 1/2" QD

### OPTIONS

DESCRIPTION	WIDTH	ORDER CODE	PRICE
Replacement Tooth Kit (2 Teeth & 2 Pins)*	Fits All Models	118887	\$45

\*72" & 78" Grapple requires 8 teeth. 84" Grapple requires 10 teeth.

### HOSE KITS

DESCRIPTION	ORDER CODE	PRICE
76" with 1/2" QD	121151	\$432
84" with 1/2" QD	121152	\$454
96" with 1/2" QD	121084	\$496

# BRUSH GRAPPLES

## TRACTOR DUTY



### FEATURES

- 6" tine spacing
- Standard cylinder guards protect all cylinder components
- 1.25" cylinder pivot pins
- 1.25" x 24" patented grapple pins greatly reduce torsional force
- .375" end plates on Tractor Duty and .5" end plates on Standard and Extreme Duty
- Patented cushioned and sleeved cylinders are 2" x 8" x 1.25"
- Standard load check valve
- 100,000 PSI yield strength tine material

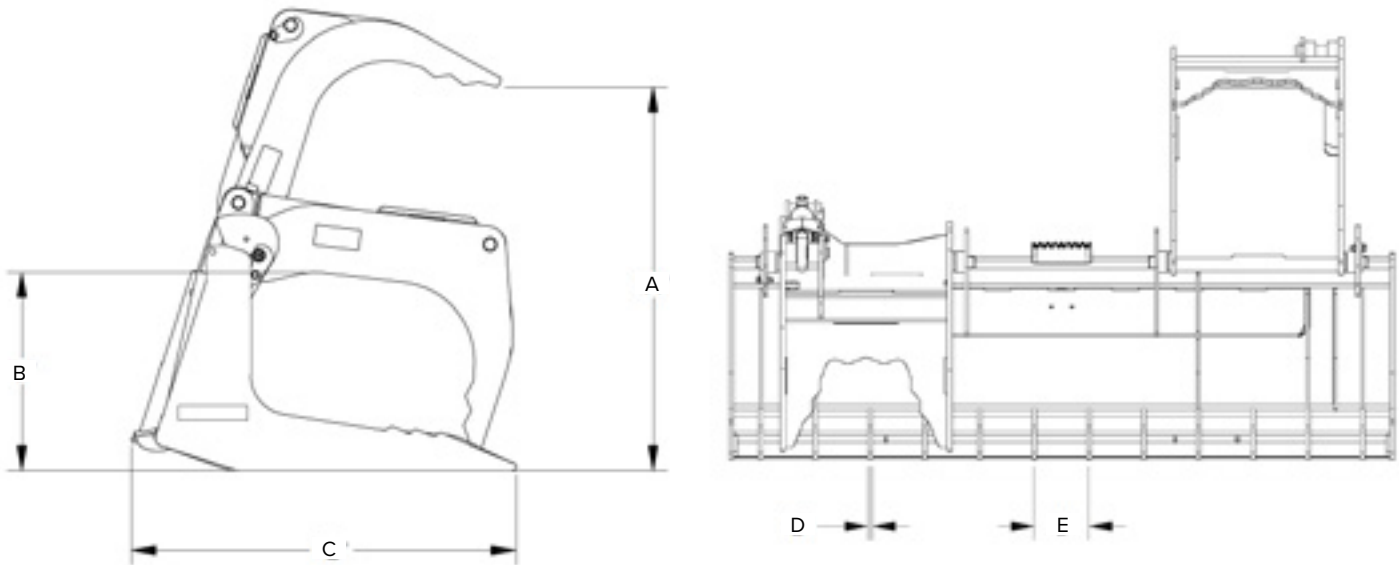
## STANDARD DUTY



## HEAVY DUTY



# BRUSH GRAPPLES SPECIFICATIONS



BRUSH GRAPPLES										
DUTY CLASS	WIDTH	WEIGHT	CYLINDERS	(A) HEIGHT OPEN	(B) HEIGHT CLOSED	(C) DEPTH	(D) TINE THICKNESS	(E) TINE SPACING	ORDER CODE	PRICE
Tractor Duty (TD)	48"	300 lbs	1	29"	25.5"	30.5"	0.3"	6"	108597	\$2,935
	54"	315 lbs	1	29"	25.5"	30.5"	0.3"	6"	108598	\$3,077
	72"	435 lbs	2	29"	25.5"	30.5"	0.3"	6"	108415	\$4,198
Standard Duty (SD)	60"	723 lbs	2	33"	17.5"	36"	0.4"	6"	123661	\$5,730
	66"	740 lbs	2	33"	17.5"	36"	0.4"	6"	123662	\$6,050
	72"	775 lbs	2	33"	17.5"	36"	0.4"	6"	123663	\$6,173
Heavy Duty (HD)	72"	925 lbs	2	40"	16.5"	39"	0.5"	6"	123664	\$6,355
	78"	999 lbs	2	40"	16.5"	39"	0.5"	6"	123665	\$6,694
	84"	1054 lbs	2	40"	16.5"	39"	0.5"	6"	123666	\$7,029

TD models do not include hoses.  
 SD and HD models include 88" hoses with 90° 1/2 QD's routed to operator left hand side.  
 Each model contains 2 independent grapples.

REPLACEMENT HOSE KITS			
COMPATIBILITY	DESCRIPTION	ORDER CODE	PRICE
TD	Dealer-supplied		
SD, HD	60" with 1/2" QD	MTG1113-0022	\$385
	80" with 1/2" QD	MTG1113-0903	\$541
	80" with 1/2" QD and 90-deg couplers (use for Bobcat M series)	MTG1113-0319	\$541
	88" with 1/2" QD	MTG1113-9783	\$570
	96" with 1/2" QD	117285	\$600

# SCRAP GRAPPLE BUCKETS

## STANDARD & HEAVY DUTY



### SD & HD FEATURES

- Standard cylinder guards protect all cylinder components
- Standard load check valve
- 1.25" cylinder pivot pins
- 1.25" x 24" patented grapple pins reduce torsional force
- Patented cushioned cylinders are 2" x 8" x 1.25" on full feature
- Bucket edge drilled for FFC® replaceable edge unless specified
- Optional .75" x 8" double bevelled edge

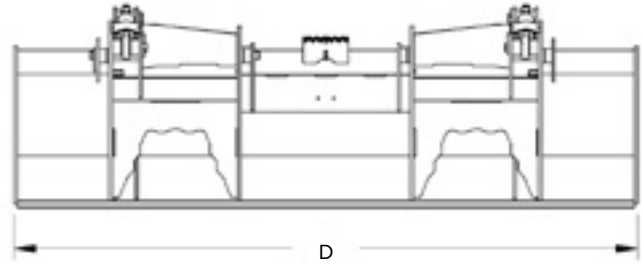
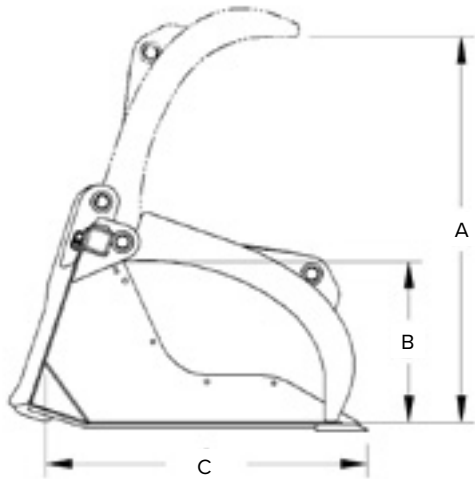
## EXTREME DUTY



### XD FEATURES

- Optional cylinder guards protect all cylinder components
- 1.5" x 8.625" heat-treated, greasable pivot pins on full feature
- 1.5" x 27.125" patented grapple pins reduce torsional force
- .375" end plates
- Patented cushioned & sleeved cylinders are 2.5" x 8" x 1.75" on full feature
- Bucket edge drilled for FFC® replaceable edge unless specified
- Optional .75" x 8" double bevelled edge

# SCRAP GRAPPLE BUCKETS SPECIFICATIONS



## SCRAP GRAPPLE BUCKETS (INCLUDES BOLT-ON EDGE)

DUTY CLASS	(D) WIDTH	WEIGHT	(A) HEIGHT OPEN	(B) HEIGHT CLOSED	(C) DEPTH	HOLES	HOLE SPACING	ORDER CODE	PRICE
Standard Duty (SD)	60"	775 lbs	34"	20"	36"	7	9"	123668	\$6,164
	66"	800 lbs	34"	20"	36"	7	10"	123669	\$6,394
	72"	870 lbs	34"	20"	36"	7	11"	123670	\$6,616
Heavy Duty (HD)	76"	1081 lbs	40"	20"	38"	8	10"	123671	\$6,994
	82"	1133 lbs	40"	20"	38"	9	10"	123672	\$7,429
Extreme Duty (XD)	72"	1303 lbs	45.5"	19"	38"	7	11"	LAF5273-0022	\$7,710
	78"	1514 lbs	45.5"	19"	38"	9	9"	LAF5278-0022	\$7,891
	82"	1542 lbs	45.5"	19"	38"	9	10"	LAF5282-0022	\$8,073

SD and HD models include 88" hoses with 90° 1/2" QD's with hoses routed to operator's left hand side.  
 XD models include 78" hoses with 1/2" QD's routed straight back.  
 Each model contains 2 independent grapples.

## REPLACEMENT HOSE KITS

DESCRIPTION	ORDER CODE	PRICE
60" with 1/2" QD	MTG1113-0022	\$385
80" with 1/2" QD	MTG1113-0903	\$541
80" with 1/2" QD and 90-deg couplers (use for Bobcat M series)	MTG1113-0319	\$541
88" with 1/2" QD	MTG1113-9783	\$570
96" with 1/2" QD	117285	\$600

## BOLT-ON EDGE KITS

DESCRIPTION	ORDER CODE	PRICE
60" Bolt-On Edge Kit, fits Scrap Grapple Buckets	15025	\$535
66" Bolt-On Edge Kit, fits Scrap Grapple Buckets	15027	\$550
72" Bolt-On Edge Kit, fits Scrap Grapple Buckets	15028	\$552
76" Bolt-On Edge Kit, fits Scrap Grapple Buckets	11800	\$682
78" Bolt-On Edge Kit, fits Scrap Grapple Buckets	16204	\$700
82" Bolt-On Edge Kit, fits Scrap Grapple Buckets	15029	\$730

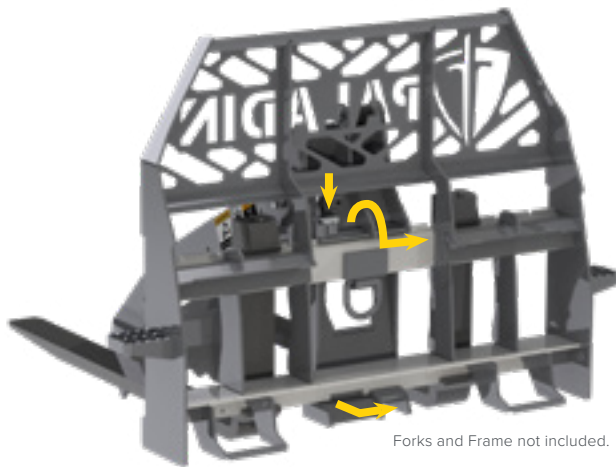
# SHARKBITE™ GRAPPLE



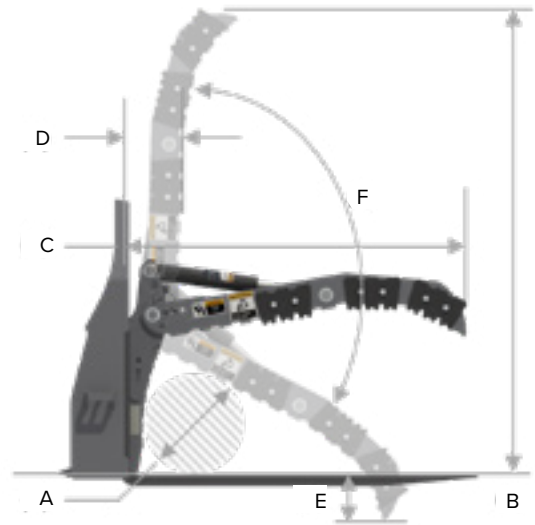
## FEATURES

- Fits all standard Class II ITA fork rails
- Field install is under 5 minutes with no tools
- High strength steel construction
- Powder coat finish

## FORK-STYLE INSTALL



Forks and Frame not included.



SHARKBITE™ GRAPPLE (HOSES INCLUDED)								
WEIGHT	(A) MINIMUM LOAD DIAMETER	(B) OVERALL HEIGHT	(C) DEPTH	(D) MINIMUM ENVELOPE	(E) PASS-THRU	(F) RANGE OF MOTION	ORDER CODE	PRICE

175 lbs	14"	63.5"	46.5"	7.5"	7.5"	117°	233180	\$2,269
---------	-----	-------	-------	------	------	------	--------	---------

\*Includes 80" hoses with 1/2" QD.  
 Optional Shark Teeth sold separately.  
 Forks and frame sold separately.

OPTIONAL TOOTH KIT		
DESCRIPTION	ORDER CODE	PRICE

Reversible AR400 Hardened Teeth (QTY 6 - Field Install)	233215	\$111
---	--------	-------



**QUALITY. PRODUCTIVE. POWERFUL.**



# AUGER DRIVES

## 75D SERIES AUGER DRIVES



### FEATURES

- All 75 Series hydraulic motors drive the auger through a sealed planetary gear reduction
- The heavy-duty, all-gear design gives these units a long life with minimal maintenance and service costs
- 75 Series drive units are completely sealed, with all moving components running in oil for total lubrication on a constant basis
- All models feature reverse rotation for quick backout when obstructions are encountered
- The system's hydraulic relief valve protects the units from damage when the auger hits large, immovable objects

### AUGER DRIVES (INCLUDES MOUNT WITH CRADLE AND HOSES)

SERIES	FLOW	HUB SHAPE	WEIGHT	ORDER CODE	PRICE
X975D*	6 - 15 GPM	2.56" Round	405 lbs	124803	\$3,745
		2" Hex	405 lbs	124804	\$3,745
X1475D*	10 - 25 GPM	2.56" Round	407 lbs	124805	\$3,325
		2" Hex	407 lbs	124806	\$3,325
X1975D*	15 - 30 GPM	2.56" Round	409 lbs	124807	\$3,693
		2" Hex	409 lbs	124808	\$3,693
X2475D*	20 - 35 GPM	2.56" Round	411 lbs	124809	\$4,107
		2" Hex	411 lbs	124810	\$4,107

\*Includes mount with cradle and 108" hoses with 1/2" QD

### AUGER SSL MOUNTS

DESCRIPTION	ORDER CODE	PRICE
SSL Mount with Cradle (Included in SSL Drives)	113026	\$607

# AUGER DRIVES SPECIFICATIONS

OUTPUT SPEED		
SERIES	FLOW	SPEED
X975D	6 GPM 23 LPM	38 RPM
	8 GPM 30 LPM	50 RPM
	10 GPM 38 LPM	63 RPM
	12 GPM 45 LPM	75 RPM
	15 GPM 57 LPM	94 RPM
X1475D	10 GPM 38 LPM	40 RPM
	12 GPM 45 LPM	49 RPM
	14 GPM 53 LPM	57 RPM
	15 GPM 61 LPM	61 RPM
	20 GPM 76 LPM	79 RPM
X1975D	25 GPM 95 LPM	104 RPM
	15 GPM 57 LPM	53 RPM
	18 GPM 68 LPM	63 RPM
	20 GPM 76 LPM	70 RPM
	24 GPM 91 LPM	84 RPM
X2475D	28 GPM 106 LPM	98 RPM
	30 GPM 114 LPM	106 RPM
	20 GPM 76 LPM	56 RPM
	22 GPM 83 LPM	61 RPM
	24 GPM 91 LPM	67 RPM
X2475D	26 GPM 98 LPM	73 RPM
	28 GPM 106 LPM	78 RPM
	30 GPM 114 LPM	84 RPM
	35 GPM 132 LPM	98 RPM

OUTPUT TORQUE			
SERIES	PRESSURE	TORQUE	
X975D	2000 PSI 141 BAR	1000 ft. lbs.	1356 N. m.
	2500 PSI 176 BAR	1277 ft. lbs.	1731 N. m.
	3000 PSI 211 BAR	1500 ft. lbs.	2034 N. m.
	3500 PSI 241 BAR	1713 ft. lbs.	2330 N. m.
	2000 PSI 138 BAR	1600 ft. lbs.	2169 N. m.
X1475D	2500 PSI 172 BAR	2000 ft. lbs.	2712 N. m.
	3000 PSI 207 BAR	2377 ft. lbs.	3223 N. m.
	3500 PSI 241 BAR	2630 ft. lbs.	3577 N. m.
X1975D	2000 PSI 138 BAR	1856 ft. lbs.	2516 N. m.
	2500 PSI 172 BAR	2328 ft. lbs.	3156 N. m.
	3000 PSI 207 BAR	2769 ft. lbs.	3754 N. m.
X2475D	3500 PSI 241 BAR	3044 ft. lbs.	4140 N. m.
	2000 PSI 138 BAR	2308 lb. ft.	3129 N. m.
	2500 PSI 172 BAR	2895 lb. ft.	3925 N. m.
X2475D	3000 PSI 207 BAR	3451 lb. ft.	4686 N. m.
	3500 PSI 241 BAR	3821 ft. lbs.	5196 N. m.

# AUGER FLIGHTS

## MEDIUM DUTY - HDF STYLE



These Augers are made for light to moderate ground conditions. The HDF augers feature a fabricated boring head with hardened bolt-on gage (outside) and wisdom (inside) teeth, as well as a hardened fishtail point. These augers also are equipped with heavy-duty double flighting.

## HEAVY DUTY - HDC STYLE



These Augers are made for difficult ground conditions, compacted soils, heavy clay, frozen ground and fracturable rock. The HDC Augers feature heavy duty cast steel boring head, hardened drive-in gage (outside) and wisdom (inside) teeth. Equipped with hardened fishtail point and heavy-duty, double flighting.

## ROCK AUGERS - BULLET TOOTH



These Augers are made for solid, fracturable rock, frozen ground, asphalt and compacted soils. These rock augers feature bullet style teeth and a fabricated boring head, as well as heavy-duty single flighting. This auger comes in 2" hexagon collar only and is available in 4' length. The auger has a .75" thick bottom flight and a hardface outer edge.

## HEAVY DUTY - HTF STYLE



These Augers are made for tree and shrub planting. The HTF augers have a 2" diameter design with a fabricated boring head and hardened bolt-on gauge (outside) and wisdom (inside) teeth. Augers also come equipped with a hardened fishtail point and heavy-duty double flighting.

# AUGER FLIGHTS SPECIFICATIONS

AUGERS								
STYLE	LENGTH	WIDTH	NO. OF TEETH	WEIGHT	ORDER CODE (2" HEX)	PRICE	ORDER CODE (2.56" ROUND)	PRICE
HDF	36"	6"	2	32 lbs	20018	\$406	20020	\$406
		9"	3	62 lbs	20092	\$498	20095	\$498
		12"	4	83 lbs	20180	\$551	20182	\$551
		18"	6	115 lbs	20302	\$846	20304	\$846
		24"	8	164 lbs	20383	\$871	20385	\$871
		30"	10	233 lbs	20426	\$1,272	20428	\$1,272
	36"	12	315 lbs	20471	\$1,603	20473	\$1,603	
	48"	6"	2	42 lbs	20021	\$347	20025	\$347
		9"	4	86 lbs	20096	\$518	20100	\$518
		12"	4	120 lbs	20183	\$616	20187	\$616
		18"	6	160 lbs	20306	\$1,007	20309	\$1,007
		24"	8	278 lbs	20386	\$1,251	20389	\$1,251
		30"	10	325 lbs	20429	\$1,750	20431	\$1,750
		36"	12	443 lbs	20474	\$1,992	20476	\$1,992
HDC		36"	6"	2	36 lbs	20033	\$467	20035
	9"		4	74 lbs	20109	\$683	20112	\$683
	12"		4	96 lbs	20198	\$907	20200	\$907
	18"		6	134 lbs	20318	\$1,106	20320	\$1,106
	24"		8	173 lbs	20397	\$1,547	20399	\$1,547
	30"		10	220 lbs	20438	\$1,959	20440	\$1,959
	36"		12	302 lbs	20483	\$2,135	20485	\$2,135
	48"	6"	2	45 lbs	20036	\$456	20039	\$456
		9"	4	98 lbs	20113	\$688	20116	\$688
		12"	4	128 lbs	20201	\$734	20204	\$734
		18"	6	204 lbs	20321	\$1,142	20324	\$1,142
		24"	8	272 lbs	20401	\$1,594	20403	\$1,594
		30"	10	312 lbs	20441	\$1,968	20443	\$1,968
		36"	12	430 lbs	20486	\$2,154	20488	\$2,154
ROCK	48"	42"	16	460 lbs	20512	\$3,290	20514	\$3,290
		48"	18	550 lbs	20523	\$3,577	20524	\$3,577
		6"	8	82 lbs	157430	\$1,216	N/A	N/A
		9"	10	110 lbs	157431	\$1,424	N/A	N/A
		12"	12	137 lbs	157433	\$1,579	N/A	N/A
		18"	16	192 lbs	157435	\$2,803	N/A	N/A
		24"	20	285 lbs	157437	\$3,624	N/A	N/A
HTF	48"	30"	24	315 lbs	157438	\$3,996	N/A	N/A
		36"	26	414 lbs	157439	\$4,847	N/A	N/A
		18"	7	144 lbs	20334	\$1,010	20335	\$1,010
		24"	10	198 lbs	20414	\$1,124	20416	\$1,124
		30"	11	264 lbs	20454	\$1,423	20456	\$1,423
		36"	13	349 lbs	20499	\$1,806	20501	\$1,806
		42"	15	330 lbs	20515	\$2,461	20516	\$2,461

# AUGER EXTENSIONS / TEETH / COMPONENTS

## FIXED LENGTH AUGER EXTENSIONS



- Fixed length auger extensions extend the augers digging depth to exactly the length of the extension. McMillen Fixed Length Extensions are available with 2" round, 2.5625" round, 2" hexagon, 2.5" hexagon or 2.625" hexagon collars. These extensions do not store within the auger.

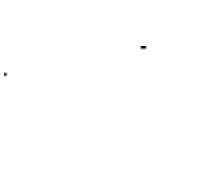
## VARIABLE LENGTH AUGER EXTENSIONS



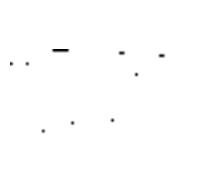
- Variable length auger extensions store inside the center tube of the augers that are 10" diameter or larger. Extension increments are every 6" on 12" through 24" extensions and every 12" on 48" through 72" extensions. Variable length extensions are available with 2" round, 2.5625" round, 2" hexagon, 2.5" hexagon, or 2.5625" hexagon collars.

## AUGER TEETH / COMPONENTS

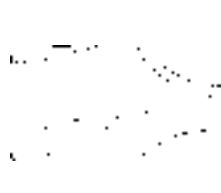
**Gage Tooth**



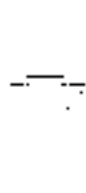
**Wisdom Tooth**



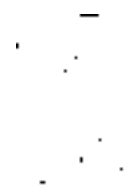
**Chisel Tooth**



**Rock Tooth**



**Fishtail Point Female**



**Fishtail Point Male Square Shank**



# AUGER EXTENSIONS / TEETH / COMPONENTS

AUGERS EXTENSIONS					
STYLE	HUB SHAPE	LENGTH	WEIGHT	ORDER CODE	PRICE
Fixed Length	2" Hex	24"	34 lbs	22851	\$234
		48"	57 lbs	22858	\$290
		72"	83 lbs	22865	\$463
	2.56" Round	24"	40 lbs	22856	\$225
		48"	74 lbs	22863	\$278
		72"	109 lbs	22872	\$454
Variable Length	2" Hex	24"	32 lbs	23117	\$350
		48"	57 lbs	23126	\$404
		72"	80 lbs	23135	\$476
	2.56" Round	24"	39 lbs	23122	\$282
		48"	74 lbs	23133	\$396
		72"	109 lbs	23143	\$491

AUGER TEETH AND COMPONENTS						
FITS HDF	FITS HDC	FITS HTF	FITS ROCK	DESCRIPTION	ORDER CODE	PRICE
x	x	x		G Fishtail Point, 3.5", Fits HDF HDC HTF	22190	\$64
x	x	x		G Fishtail Point Carbide, Fits HDF HDC HTF	22191	\$164
x	x	x		Hard-Faced/Carbide Fishtail, 3.5" (Male), Fits HDF HDC HTF	22192	\$88
x	x	x		A Gage Tooth (Outside), Fits HDF HDC HTF	22169	\$14
x	x	x		B Carbide Tooth (Inside and Outside), Fits HDF HDC HTF	22186	\$26
	x	x		D Chisel Tooth, Fits HDC HTF	22181	\$20
	x	x		D Chisel Tooth Carbide, Fits HDC HTF	22182	\$29
x		x		Bolt, .625", Fits HDF HTF	22306	\$4
	x	x		Nut, .625", Fits HDF HTF	1839	\$4
	x			C Rubber Lock, Fits HDC	22154	\$4
			x	Pilot Bit Assembly, Fits Rock	137208	\$264
			x	Bullet Tooth, Fits Rock	113724	\$48
			x	Tooth Holder, Fits Rock	24055	\$25
x	x			Hard-Faced Wisdom Tooth, Fits HDF HDC HTF	22170	\$15
x	x	x		Carbide Wisdom, Fits HDF HDC HTF	22186	\$26
	x	x		Carbide Chisel, Fits HDC HTF	22182	\$29
x	x	x		Carbide Fishtail (Male), Fits HDF HDC HTF	22191	\$164
x	x	x		Hard-Faced/Carbide Fishtail (Male), Fits HDF HDC HTF	22193	\$305
x	x	x	x	2.56" Round Auger Collar, Fits HDF HDC HTF Rock	22236	\$89
x	x	x	x	2" Hex Auger Collar, Fits HDF HDC HTF Rock	22209	\$70

# PALLET FORKS

## STANDARD DUTY - HIGH VIS



### FEATURES

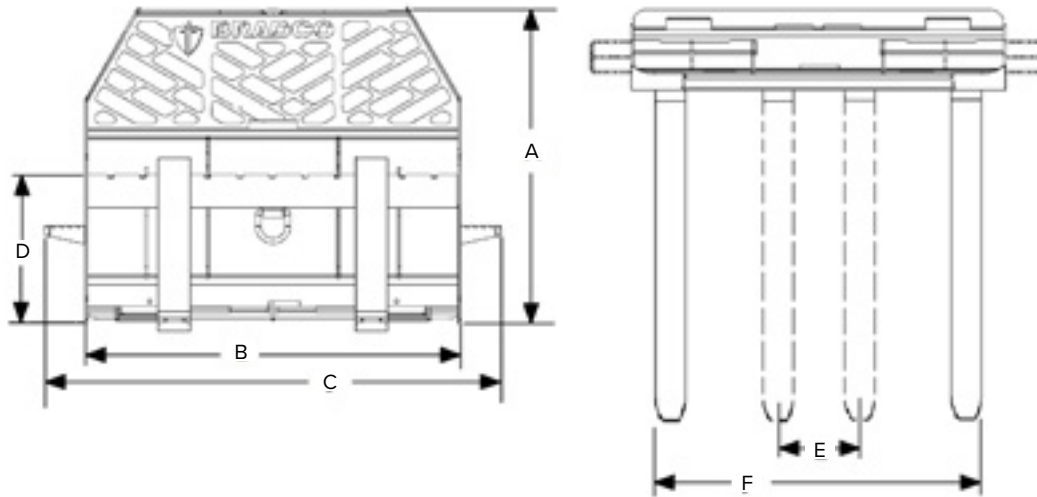
- Lever style locks provide additional leverage when operating the tine latching mechanism
- Patented pull "D" ring design can be used to pull loads out of trucks, retain loads, and much more. US Patent # 6,881,023
- Excellent see through visibility allows the operator to see tine ends
- Standard, Extended, Walk-Thru available
- Walk-Thru carriage design has an open frame for easy, safe access to operator compartment on loader

## STANDARD DUTY - WALK-THRU





# PALLET FORKS SPECIFICATIONS



PALLET FORK SPECIFICATIONS	STANDARD	EXTENDED	WALK-THRU
A. Overall Height	39.5"	39"	37.5"
B. Overall Width (Without Step)	46"	61"	46"
C. Overall Width With Step (One Step on 60")	55.5"	66"	55.5"
D. ITA Category II Fork Mounting	16"	16"	16"
E. Adjustable Tine Spacing - Minimum (Center)	9"	9"	9"
F. Adjustable Tine Spacing - Maximum (Outside)	44"	60"	44"

## CLASS II ITA FORK FRAMES (FORKS NOT INCLUDED)

DUTY CLASS	STYLE	WIDTH	WEIGHT	ORDER CODE	PRICE
Tractor Duty (TD)	Standard Brick Guard	45.5"	120 lbs	107283	\$612
	Signature Series: High-Vis, Solid Brick Guard	55"	219 lbs	30945-0022	\$842
Standard Duty (SD)	Walk-Thru Brick Guard	50.5"	209 lbs	30947-0022	\$790
	Extra-Wide Frame	65"	265 lbs	119401	\$905

## CLASS III ITA FORK FRAMES (FORKS NOT INCLUDED)

DUTY CLASS	STYLE	WIDTH	WEIGHT	ORDER CODE	PRICE
Heavy Duty (HD) for Wheel Loaders	Heavy Duty Class III Fork Frame for Wheel Loaders	60"	560 lbs	10047-0022	\$3,236

Signature-Series Frames with Custom Logos Available By Request - Pricing May Vary

## ITA-MOUNT FORKS

CLASS AND WEIGHT RATING	LENGTH	ORDER CODE	PRICE
Class II - 3750 LBS	42"	102028	\$608
	48"	102030	\$687
Class II - 4000 LBS	42"	66302	\$732
	48"	67604	\$750
Class II - 5500 LBS	42"	102032	\$828
	48"	102034	\$943
Class II - 6000 LBS	42"	85962	\$1,038
	48"	85994	\$1,587
Class II - 6200 LBS	60"	12678	\$1,639
	72"	12509	\$2,069
Class III - 10000 LBS	42"	FFC10043	\$1,232
	48"	FFC10044	\$1,359
	60"	FFC10045	\$1,573

## ITA-MOUNT BALE SPEARS

STYLE	ORDER CODE	PRICE
2-Spear	17253	\$616
3-Spear	17240	\$743

Upgrade your pallet forks into an ultra-versatile grapple with the SharkBite Grapple on page 24.

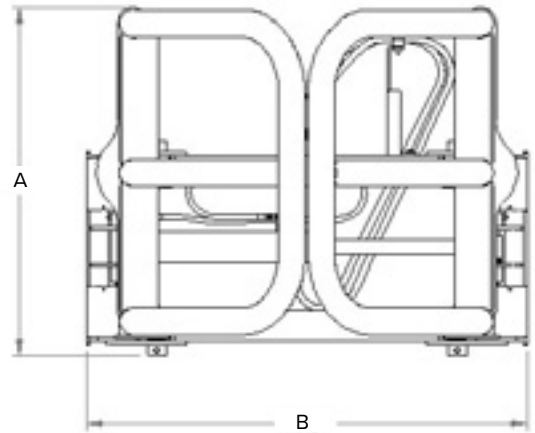


# BALE HUGGERS



## FEATURES

- Clamps loads from 28" to 80" wide
- Hydraulically driven pressure arms
- Ideal for placing and removing concrete forms
- Adds 6.5' of reach to your loader
- Does not include chains or clevis



### BALE HUGGERS (HOSES INCLUDED)

DUTY CLASS	WEIGHT	(A) HEIGHT	(B) WIDTH	CLAMPING RANGE	ORDER CODE	PRICE
Standard Duty (SD)	480 lbs	37.5"	47.5"	28" - 80"	LAF1960-0022*	\$4,280

\*Includes 104" hoses, 1/2" QD

# BALE SPEARS

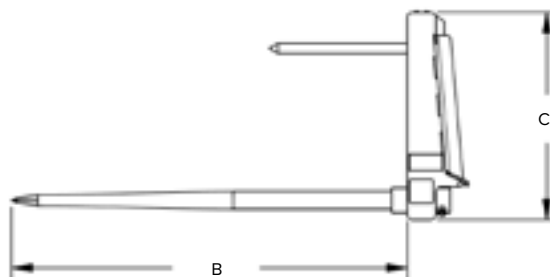
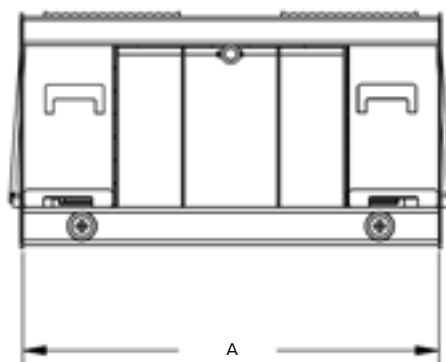
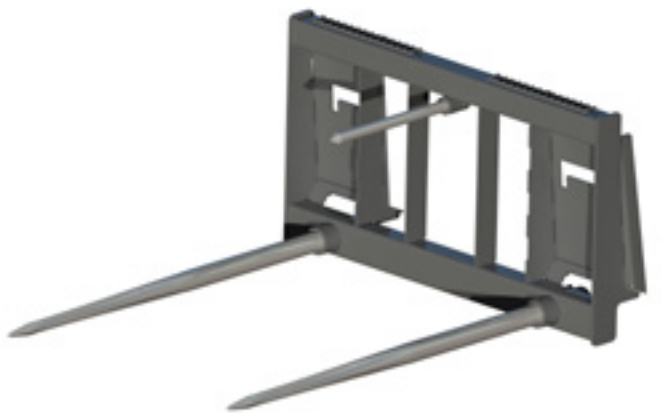
## STANDARD DUTY - SINGLE SPEAR



### FEATURES

- Built to lift, transport, and stack round or square bales of organic materials.
- Picks up one large round bale up to 6' in diameter
- Available in single and dual spears

## STANDARD DUTY - DUAL SPEAR



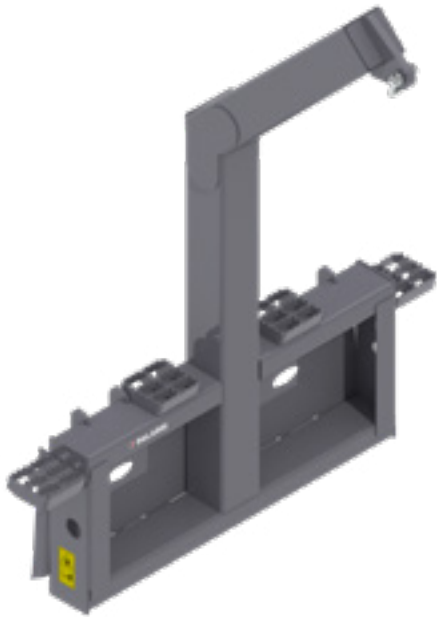
### DEDICATED BALE SPEARS (INCLUDES TINES)

DUTY CLASS	STYLE	WEIGHT	(A) WIDTH	(B) SPEAR LENGTH	(C) HEIGHT	ORDER CODE	PRICE
Tractor Duty (TD)	Single Spear	145 lbs	45"	49"	22.5"	17200-0022	\$852
	Dual Spear	155 lbs	45"	49"	23"	17212-0022	\$1,046
Standard Duty (SD)	Single Spear	200 lbs	49"	53"	25"	11910-0022	\$1,051
	Dual Spear	240 lbs	49"	53"	25"	11920-0022	\$1,326

### REPLACEMENT TINES (SOLD INDIVIDUALLY)

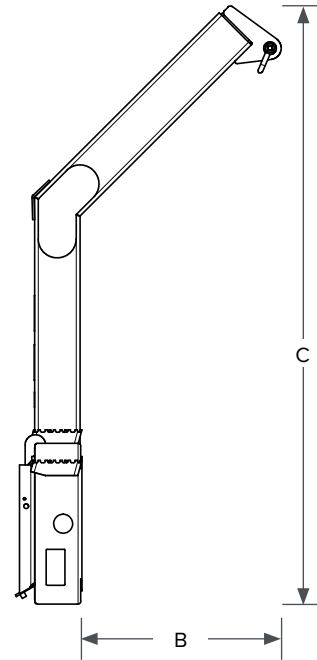
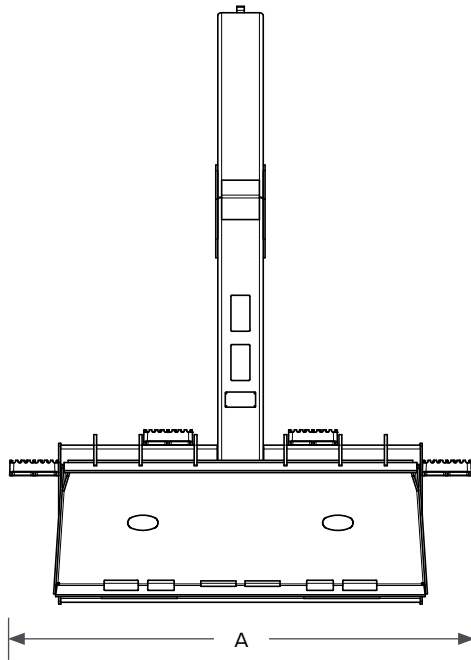
DUTY CLASS FIT	WEIGHT	DIAMETER	LENGTH	ORDER CODE	PRICE
Tractor Duty	25 lbs	45mm	1250mm	116336	\$176
Standard Duty	38 lbs	55mm	1350mm	07-10150	\$391

# BOOMS



## FEATURES

- Ideal for moving trees for transplanting
- Use to load and unload attachments, etc.
- Ideal for placing and removing concrete forms
- Adds 6.5' of reach to your loader
- Does not include chains or clevis



LOADER BOOMS							
(A) WIDTH	(B) OVERALL DEPTH	(C) HEIGHT	LOAD DEPTH	REACH	WEIGHT	ORDER CODE	PRICE
47"	31"	73"	25"	83"	400 lbs	LAF2210-0022	\$1,916

# POWERFUL ATTACHMENT TOOLS



# SNOW BLOWERS

## STANDARD FLOW



### STANDARD FLOW FEATURES

- Two-stage hydraulic blower throws snow up to 45'
- Electro/hydraulic, poly-lined chute and deflector
- Reinforced wrapper and adjustable skid shoes

## HIGH FLOW

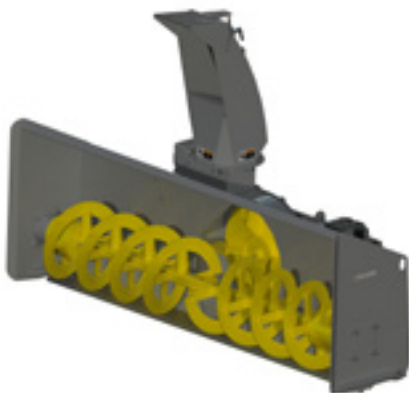


### HIGH FLOW FEATURES

Same as Standard Flow with the addition of:

- More power
- Taller hood
- Larger auger size
- Larger fan diameter

## HIGH FLOW, HIGH TORQUE



### HIGH FLOW, HIGH TORQUE FEATURES

Same as High Flow with the addition of:

- Additional motor on auger, which adds additional torque to deal with heavier, stickier, harder snow

# SNOW BLOWER SPECIFICATIONS

SNOW BLOWERS										
CLASS	SERIES	FLOW	WIDTH	WEIGHT	AUGER MOTORS	HEIGHT	DEPTH	AUGER DIAMETER	ORDER CODE	PRICE
Compact Flow	A	8 - 13 GPM	48"	745 lbs	Single	25"	38"	14"	11048A-0022	\$9,448
	C	12 - 16 GPM	60"	795 lbs	Single	25"	38"	14"	11060C-0022	\$9,493
Standard Flow	D	14 - 21 GPM	60"	795 lbs	Single	25"	38"	14"	11060D-0022	\$9,493
	D	14 - 21 GPM	72"	845 lbs	Single	25"	38"	14"	11072D-0022	\$10,298
	D	14 - 21 GPM	84"	895 lbs	Single	25"	38"	14"	11084D-0022	\$11,695
	E	18 - 27 GPM	60"	795 lbs	Single	25"	38"	14"	11060E-0022	\$10,772
	E	18 - 27 GPM	72"	845 lbs	Single	25"	38"	14"	11072E-0022	\$11,009
	E	18 - 27 GPM	84"	895 lbs	Single	25"	38"	14"	11084E-0022	\$12,445
High Flow	F2	30 - 42 GPM	72"	1152 lbs	Single	36"	43"	18"	11072F2-0022	\$10,756
	F2	30 - 42 GPM	84"	1228 lbs	Single	36"	43"	18"	11084F2-0022	\$11,004
High Flow, High Torque	G	19 - 34 GPM	72"	1247 lbs	Dual	36"	43"	18"	11072G-0022	\$14,686
	G	19 - 34 GPM	84"	1313 lbs	Dual	36"	43"	18"	11084G-0022	\$15,174
	G	19 - 34 GPM	96"	1395 lbs	Dual	36"	43"	18"	11096G-0022	\$15,569
	H	30 - 42 GPM	72"	1271 lbs	Dual	36"	43"	18"	11072H-0022	\$15,876
	H	30 - 42 GPM	84"	1362 lbs	Dual	36"	43"	18"	11084H-0022	\$16,413
	H	30 - 42 GPM	96"	1421 lbs	Dual	36"	43"	18"	11096H-0022	\$17,260

\*Includes Independent Control Box Powered by Machine Battery and 80" Hoses with 1/2" QDs

## REPLACEMENT AND OPTIONAL CONTROLS

TYPE	ORDER CODE	PRICE
Replacement Independent Control Box, Power from Machine Battery (Included in -0022 Models)	LAF9394-0000	\$256
Wire Harness for Integrated Machine Controls, 7-pin, Fits All Series 2012+, for Bobcat	07-9548	\$1,136
Wire Harness for Integrated Machine Controls, 8-pin, Fits All Series, for CAT pre-B	07-10021	\$372
Wire Harness for Integrated Machine Controls, 8-pin, Fits A-E Series, for CAT B and C	07-10122	\$346
Wire Harness for Integrated Machine Controls, 8-pin, Fits F2-H Series, for CAT B and C	07-10170	\$553
Wire Harness for Integrated Machine Controls, 14-pin, Fits A-E Series, for CAT D	07-8344	\$273
Wire Harness for Integrated Machine Controls, 14-pin, Fits All Series, for Bobcat / Kubota (w multi-function in cab controls) / CNH / JCB	LAF9360-0000	\$268
Wire Harness for Integrated Machine Controls, 8-pin, Fits All Series, for CNH	LAF9393	\$222
Wire Harness for Integrated Machine Controls, 3-pin, Fits All Series, for John Deere	07-7338	\$278
Wire Harness for Integrated Machine Controls, 14-pin, Fits All Series, for John Deere-8 button	LAF9361	\$362
Wire Harness for Integrated Machine Controls, 14-pin, Fits All Series, for John Deere EH Control	07-7626	\$711
Wire Harness for Integrated Machine Controls, 14-pin, Fits All Series, for Komatsu	07-10194	\$377
Wire Harness for Integrated Machine Controls, 8-pin, Fits All Series, for Komatsu	07-10057	\$585

## CONSUMABLES

TYPE	COMPATIBILITY	DIMENSIONS	ORDER CODE	PRICE
Steel Edge Kits	A, C, D, E-Series	48" x 3" x 3/8"	LAF6547-0000	\$115
		60" x 3" x 3/8"	LAF6560	\$135
		72" x 3" x 3/8"	LAF6571	\$156
	F, G, H-Series	84" x 3" x 3/8"	LAF6583	\$170
		72" x 4" x 1/2"	LAF6595	\$389
		84" x 4" x 1/2"	LAF6590	\$429
		96" x 4" x 1/2"	LAF6591	\$465
Steel Skid Shoe	All Series	-	LAF1485-0000	\$75

# SNOW PUSHES

## STANDARD DUTY



### FEATURES

- Moves large volumes of snow efficiently
- Rubber edge standard on all models
- Ideal for waste water, manure, feed lot and food clean up
- Optional Pull Back Kit draws back snow from buildings, fences and confined areas

## HEAVY DUTY - HIGH-VISIBILITY



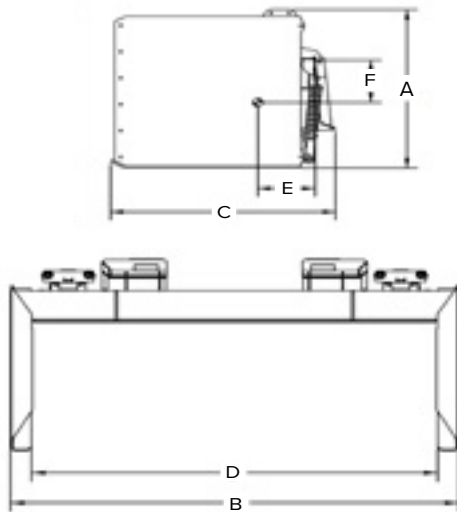
## HEAVY DUTY - EXTREME-CAPACITY



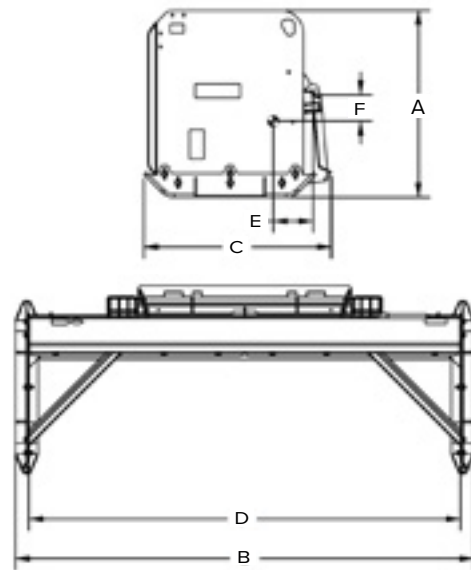


# SNOW PUSHES SPECIFICATIONS

## STANDARD DUTY



## HIGH VISIBILITY / EXTREME CAPACITY



### SNOW PUSHES (RUBBER EDGE INCLUDED)

SERIES	(B) WIDTH	WEIGHT	(A) WORKING HEIGHT	(C) LENGTH	(D) CUTTING WIDTH	(E) CENTER OF GRAVITY (HORIZONTAL)	(F) CENTER OF GRAVITY (VERTICAL)	ORDER CODE	PRICE
Standard Duty (SD)	72"	450 lbs	31"	34.5"	98"	8"	11"	10707-72-0822	\$1,880
	84"	485 lbs	31"	34.5"	80"	8"	11"	10707-84-0822	\$1,944
Heavy Duty (HD) - High-Visibility	96"	615 lbs	24"	38"	95.5"	5"	12"	23296-0022	\$3,703
	120"	705 lbs	24"	38"	119.5"	4.5"	12"	23220-0022	\$4,149
Heavy Duty (HD) - Extreme-Capacity	120"	1230 lbs	41"	41.5"	119.5"	10"	6"	23320-0022	\$6,134

### RUBBER EDGE KITS (FIELD INSTALL)

WIDTH	WEIGHT	ORDER CODE	PRICE
72"	70 lbs	28-10840-72	\$735
84"	80 lbs	28-10840-84	\$778
96"	130 lbs	28-10841-96	\$1,172
120"	150 lbs	28-10841-120	\$1,453

### REPLACEMENT SNOW SHOES

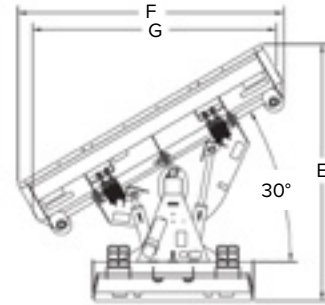
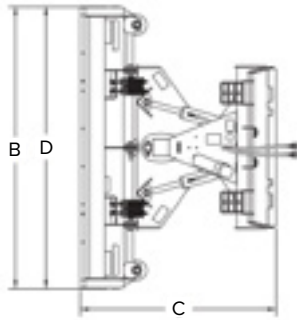
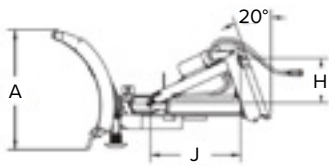
WEIGHT	ORDER CODE	PRICE
50 lbs	LAF3605-0000	\$507

# SNOW BLADES



## FEATURES

- 114 Series hydraulically angles 30 degrees in either direction
- 115 Series hydraulically angles 35 degrees in either direction
- Replaceable bolt-on wear edge
- Optional rubber edge
- Skid shoes with adjustable height
- Reinforced seven-gauge steel blade
- Spring-loaded trip mechanism



### SNOW BLADES (INCLUDES STEEL EDGE)

WIDTH	(D) BLADE WIDTH	WEIGHT	(A) OVERALL HEIGHT	(B) OVERALL WIDTH	(C) OVERALL LENGTH	ORDER CODE	PRICE
60"	60"	510 lbs	24"	60"	35"	11460-0022	\$3,873
72"	72"	595 lbs	24"	72"	35"	11472-0022	\$3,926
84"	84"	635 lbs	24"	84"	35"	11484-0022	\$4,023
96"	96"	650 lbs	24"	96"	35"	11496-0022	\$4,125
96"	96"	1232 lbs	32"	96"	58"	11596-0022*	\$5,018
108"	108"	1309 lbs	32"	108"	58"	11508-0022*	\$5,750
120"	120"	1393 lbs	32"	120"	58"	11520-0022*	\$5,811

\* Includes hoses with 1/2" QD

### SNOW BLADES SPECIFICATIONS CONT.

WIDTH	(E) OVERALL LENGTH @ 30°	(F) OVERALL WIDTH @ 30°	(G) OVERALL BLADE WIDTH @ 30°	(H) CENTER OF GRAVITY (HORIZONTAL)	(J) CENTER OF GRAVITY (VERTICAL)
60"	49.5"	59"	51.75"	13"	12"
72"	52.5"	69"	62"	14"	12"
84"	55.5"	79.5"	72.5"	14"	12"
96"	58.5"	90"	83"	15"	12"
96"	79.5"	89"	83"	12"	25"
108"	82.5"	100"	93.5"	12"	25.5"
120"	85.5"	110"	104"	12"	26"

### REPLACEMENT EDGE KITS

SERIES	WIDTH	STEEL	PRICE	RUBBER	PRICE	POLYURETHANE	PRICE
114 Series	60"	FFC10105	\$405	LAF6485-0000	\$919	Not Available	-
	72"	10106	\$442	LAF6486-0000	\$995	Not Available	-
	84"	10107	\$453	LAF6487-0000	\$1,155	Not Available	-
	96"	10108	\$461	LAF6488-0000	\$1,261	Not Available	-
115 Series	96"	10118	\$859	LAF1552-0000	\$1,555	28-10755-96	\$2,035
	108"	10119	\$972	LAF1553-0000	\$1,655	28-10755-108	\$2,270
	120"	10120	\$1,081	LAF1554-0000	\$1,755	28-10755-120	\$2,471

# QUALITY YOU CAN COUNT ON



# THE RIGHT TOOL

## GROUND SHARK™ BRUSH CUTTERS

### STANDARD DUTY (SD)



#### ROUTINE LAND MAINTENANCE

Cuts back heavy brush and overgrowth. Low-profile design slips easily under fences. The perfect general purpose brush cutter for routine land management.

Grass, Shrubs, Small Trees



Up to 4" Capacity

15 - 25 GPM

1,120 - 1,365 LBS



### HEAVY DUTY (HD)



#### MORE AGGRESSIVE

For heavier brush and trees up to 7" in diameter. Includes carbide mulching teeth and a retractable front shield, allowing blades to fully engage with trees for deep, aggressive cuts.

Grass, Shrubs, Medium Trees



Up to 7" Capacity

20 - 34 GPM

1,572 - 1,816 LBS



### EXTREME DUTY (XD)



#### MOST AGGRESSIVE

For very heavy brush and trees up to 10" in diameter. 300LBS heavier than its Heavy-Duty cousin, bigger blades, bigger deck, and double-pin blade retention. Includes carbide stump grinding teeth and MulchPower feedback technology.

Grass, Shrubs, Large Trees



Up to 10" Capacity

30 - 45 GPM

2,150 - 2,381 LBS



[CLICK HERE TO SEE THE GROUND SHARK™ IN ACTION](#)

# FOR THE RIGHT JOB

## DISK STYLE MULCHER



### HIGH PRODUCTIVITY - COARSE CHIP SIZE

Maximize production and efficiency. Cuts trees up to 14" in diameter, with in-line mulching of trees up to 8" in diameter and a 60" stump-grinding surface. Designed to resist jamming and stalling with a unique intake and integrated MulchPower feedback technology. Leaves a coarse finish.

### Heavy Brush and Mature Trees



14" Cutting Capacity  
8" Mulching Capacity

30 - 45 GPM

2,410 LBS



Technology Included

[CLICK HERE TO SEE THE  
DISK MULCHER IN ACTION](#)

## DRUM STYLE MULCHER



### SUPERIOR FINISH - FINE CHIP SIZE

Creates a fine mulch with consistently small chip-size. Provides excellent ground-cover and faster decomposition. Recommended for trees up to 8" in diameter, with virtually unlimited stump grinding capacity.

### Heavy Brush and Mature Trees



14" Cutting Capacity

30 - 45 GPM

2,530 - 2,860 LBS



Technology Included

[CLICK HERE TO SEE THE  
DRUM MULCHER IN ACTION](#)

## STUMP GRINDER



### DEEP ROOT STRUCTURES

Sub-grade root system removal up to 12" deep. A wide sweeping angle design provides great coverage with minimal repositioning, saving time and reducing turf impact.

### Stumps and Sub-Grade Roots



12" Sub-Grade

18 - 45 GPM

875 - 983 LBS

Not Available

[CLICK HERE TO SEE THE  
STUMP GRINDER IN ACTION](#)

# GROUND SHARK BRUSH CUTTERS

## STANDARD DUTY



### SD FEATURES

- Drive train is designed for maximum performance, efficiency and reliability
- Optional under-mount steel wheels
- Three bi-directional blades
- Optional pressure gauge
- Dual pressure reliefs on the hydraulic motor protect against pressure spikes that could damage the drive system
- Standard flow equipped with .5" couplers (you must specify when ordering high-flow units)

## HEAVY & EXTREME DUTY



### HD & XD FEATURES

- Retracting debris shield exposes blades, for aggressive full-depth cuts
- .25" steel "clean deck" design with high-quality powder coat helps keep clear of debris and is easier to clean and maintain
- Alternating bevel blade design provides a deep penetrating, self-clearing cut
- Blades made of .75" thick high-grade steel with reversible design for added blade life

### HEAVY DUTY BLADES



### EXTREME DUTY BLADES



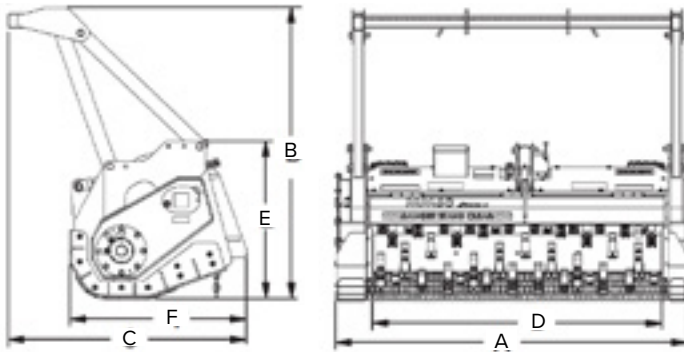
# GROUND SHARK BRUSH CUTTERS SPECIFICATIONS

BRUSH CUTTERS (INCLUDES HOSES AND QD'S)						
DUTY CLASS	FLOW	QD SIZE	WIDTH	WEIGHT	ORDER CODE	PRICE
Standard Duty (SD)	15-25 GPM	1/2"	60"	1120 lbs	30360A-0022	\$8,908
			72"	1280 lbs	30372A-0022	\$9,656
			78"	1360 lbs	30378A-0022	\$9,842
Heavy Duty (HD)	20 - 34 GPM	1/2"	66"	1605 lbs	31766-0022	\$13,810
			72"	1800 lbs	31772-0022	\$14,755
		3/4"	66"	1605 lbs	31766-9925	\$13,872
			72"	1800 lbs	31772-9925	\$14,831
		5/8"	66"	1605 lbs	31766-9903	\$14,146
			72"	1800 lbs	31772-9903	\$14,899
Extreme Duty (XD)	30 - 45 GPM	1/2"	72"	2008 lbs	30272-0022	\$17,887
			78"	2267 lbs	30278-0022	\$18,302
		3/4"	72"	2008 lbs	30272-9925	\$17,951
			78"	2267 lbs	30278-9925	\$18,365
		5/8"	72"	2008 lbs	30272-9903	\$18,118
			78"	2267 lbs	30278-9903	\$18,433

REPLACEMENT KITS					
KIT TYPE	COMPATIBILITY	WIDTH	ORDER CODE	PRICE	
Cutting Blades	Standard Duty	60"	118330	\$366	
		72"	118331	\$412	
		78"	118332	\$437	
	Heavy Duty	66"	123735	\$538	
		72"	123736	\$672	
	Extreme Duty	72", 78"	117194	\$1,110	
Carbide Stump Grinding Teeth	Standard Duty	Not Available for Standard Duty			
	Heavy Duty	66"	123781	\$605	
		72"	123733	\$1,107	
	Extreme Duty	72"	117193	\$612	
		78"	123734	\$634	
Skid Shoe Kit	Standard Duty	60", 72", 78"	117810	\$106	
	Heavy Duty	66"	123544	\$209	
		72"	117192	\$225	
	Extreme Duty	72"	117192	\$225	
		78"	123639	\$241	

OPTIONS					
KIT TYPE	COMPATIBILITY	WIDTH	ORDER CODE	PRICE	
Dual Wheel Kit	Standard Duty	60", 72", 78"	118333	\$1,113	
MulchPower Gauge	Standard Duty	60", 72", 78"	117824	\$394	
	Heavy Duty	66", 72"	123642	\$603	
	Extreme Duty	72", 78"	Included	-	

# MULCHERS - DRUM STYLE



## FEATURES

- Shreds up to 8" diameter hardwood trees
- Patented tooth design and easily interchangeable tooth design options
- Replaceable abrasion resistant AR400 wear plate on skid shoes
- Deflector door standard to control particle size and discharge direction
- Reversible teeth double the useful life vs. single-edge styles

DRUM STYLE MULCHER SPECIFICATIONS	60"	72"
A. Overall Width	73"	85"
B. Overall Height	60.5"	60.5"
C. Overall Length	49.5"	49.5"
D. Cutting Width	60"	72"
E. Height Without Push Bar	33"	33"
F. Length Without Push Bar	37"	37"

## DRUM MULCHERS (INCLUDES STANDARD CONTROL KIT)

WIDTH	TEETH	WEIGHT	FLOW RANGE	ORDER CODE	PRICE
60"	Claw Teeth	2530 lbs	30 - 45 GPM	124171*	\$44,667
	Reversible Carbide Hammers	2530 lbs	30 - 45 GPM	125346*	\$49,686
72"	Claw Teeth	2860 lbs	30 - 45 GPM	124652*	\$47,358
	Reversible Carbide Hammers	2860 lbs	30 - 45 GPM	126008*	\$50,839

## HOSE KITS (REQUIRED)

DESCRIPTION	ORDER CODE	PRICE
80" Hoses with 1/2" QDs	233133	\$879
80" Hoses with 5/8" QDs	233134	\$742
80" Hoses with 3/4" QDs	110915	\$934
3/8" Male Case Drain Coupler*	84923*	\$44

\*Required for Case/CNH Machines

## REPLACEMENT TEETH KITS FOR DRUM STYLE MULCHERS

STYLE	COMPATIBILITY	ORDER CODE	PRICE
Reversible Claw Teeth Kit	60" Drum Style	116092	\$3,011
	72" Drum Style	112578	\$3,569
Reversible Carbide Hammer Kit	60" Drum Style	116091	\$7,870
	72" Drum Style	111794	\$9,657

## CONTROLS

PRODUCT	MACHINE	ORDER CODE	PRICE
Standard Control Kit (Replacement)	Kubota, Case, Takeuchi, New Holland, Volvo, JCB	LAF9360-0000	\$268
	Bobcat 2012+	07-9548	\$1,136
	CAT XHP D	119741	\$784
Optional Control Kit	CAT XPS D	119740	\$770
	John Deere EH	07-7626	\$711
	John Deere F	LAF9361-0000	\$362
	Komatsu	07-10170	\$553

## OIL COOLERS

STYLE	ORDER CODE	PRICE
MM60 Series II Factory Installed	115851	\$5,002
MM60 Series II Dealer Installed	115852	\$5,054
MM72 Series II Factory Installed	115853	\$5,168
MM72 Series II Dealer Installed	115854	\$6,082

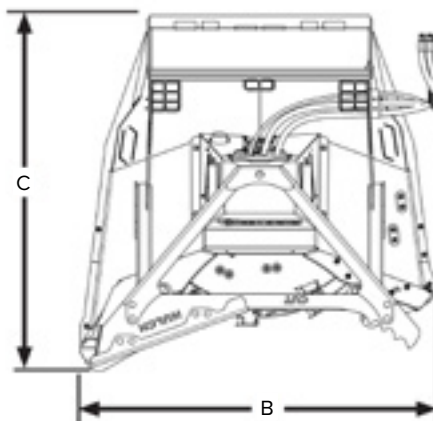
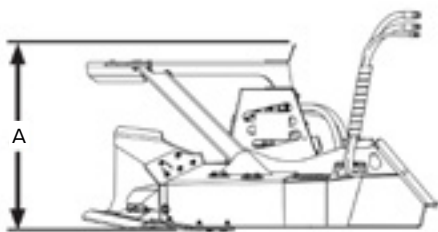


# MULCHERS - DISK STYLE



## FEATURES

- Designed to reduce jamming
- Ultra-efficient drive system with fast start
- MulchPower™ Gauge for maximum energy
- Bearing housing never needs to be greased
- Debris shovel keeps teeth out of the dirt and guides material for processing
- High-quality QUADCO teeth are interchangeable, allowing for simple service and rotation
- Fells trees up to 14"
- Processes up to 8"
- Stump grinds to grade



## DISK STYLE MULCHER

WIDTH	COUPLER CONFIGURATION	WEIGHT	FLOW RANGE	OPERATING PRESSURE	(A) HEIGHT	(B) OVERALL WIDTH	(C) LENGTH	ORDER CODE	PRICE
60"	1/2" QD, 3/8" Case Drain	2217 lbs	30 - 45 GPM	3,300 minimum	39.5"	75.75"	75.5"	125260-0022	\$33,178
	5/8" QD, 3/8" Case Drain							125260-9903	\$33,178
	3/4" QD, 3/8" Case Drain							125260-9925	\$33,178

## CONSUMABLES AND REPLACEMENTS FOR DISK STYLE MULCHER

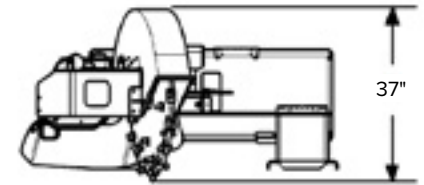
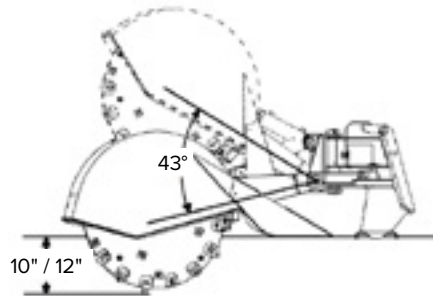
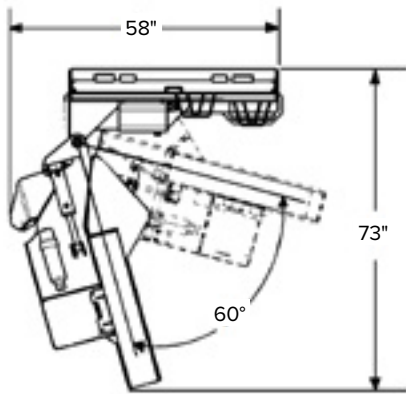
DESCRIPTION	ORDER CODE	PRICE
Partial Tooth Replacement Kit (20 teeth and hardware)	125288	\$1,245
Right-Side Skid Shoe Replacement Kit	125984	\$128
Left-Side Skid Shoe Replacement Kit	125985	\$79
Debris Shovel Replacement Kit	125986	\$527
Swinging Debris Door Replacement Kit	125959	\$623

# STUMP GRINDER



## FEATURES

- Available in standard and high flow
- Wheel grinds stump down to 12" below grade with 28 teeth
- Tooth bottom permits cutting from side-to-side and vertical directions
- 60-degree range of motion will cover 45" in a single sweep
- Grouser pad stabilization prevents plunge stalls
- Dial adjust swing speed



### STUMP GRINDER (CONTROLS NOT INCLUDED)

FLOW	WHEEL DIAMETER	DIGGING DEPTH	WEIGHT	ORDER CODE	PRICE
16 - 28 GPM	26"	10"	875 lbs	100319_101234_100984*	\$11,241
29 - 44 GPM	30"	12"	983 lbs	100320_100418_102074**	\$12,759

\* Includes 88" hoses with 1/2" QD

\*\* Includes 88" hoses with 3/4" QD

### CONTROLS (REQUIRED) - SELECT A PREFERRED INTERFACE COMPATIBLE WITH MACHINE MAKE/MODEL

INTERFACE/STYLE	MACHINE COMPATIBILITY	ORDER CODE	PRICE
Independent Controls (power from battery connection)	All	104367	\$1,385
Independent Controls (power from 14-pin Deutsch)	All	104368 _ 101096	\$2,114
Integrated Controls (14-pin Deutsch)	Case, New Holland, Volvo, Bobcat, Ditch Witch, JCB, Takeuchi, Komatsu	101096	\$812
	CAT D Series	123746	\$505
	John Deere	108036	\$917
Integrated Controls (8-pin Deutsch)	ASV, Komatsu	108035	\$716
	CAT	115957	\$1,149

### CONSUMABLES

DESCRIPTION	ORDER CODE	PRICE
(28) replacement square tooth kit assembly	102075	\$1,110

# POWER OF COMBINED EXCELLENCE



# BREAKERS

## STRIKEFORCE® BREAKERS



### FEATURES

- **Dual mounting option:** Flat top and Pin-on, with mini-excavators and SSL adapters to maximize fleet flexibility and minimize owning cost.
- **High power to weight ratio:** From industry leading impact power and effective side plate structure design.
- **SSL mounting:** Available for standard SAE SSL interfaces in either single or multi-position adapter options.
- **StrikeForce adapter pattern:** A common adapter pattern, with other StrikeForce tools in the same weight class, maximizes flexibility in use of adapter systems, minimizing owning costs.
- **Safety:** Removes the operator from direct contact with the breaking work, protecting your worker or yourself from injury.

### STRIKEFORCE® HYDRAULIC BREAKERS (INCLUDES 2 MOIL TOOLS, SPARE SEAL KIT, ADAPTER BRACKET AND HOSES)

MODEL	WORKING WEIGHT	IMPACT ENERGY CLASS	BPM	OPERATING PRESSURE (psi)	RELIEF PRESSURE (psi)	OIL FLOW RANGE (gal/min)	ORDER CODE	PRICE
SFB500	573 lbs	500	650 - 1550	1595 - 2117	2320 - 2610	10.0 - 21.9	237500M-0022	\$9,610
SFB750	639 lbs	750	600 - 1100	1566 - 2175	2320 - 2610	11.9 - 21.9	237750M-0022	\$12,544

### STRIKEFORCE® ACCESSORIES

DESCRIPTION	SFB500	PRICE	SFB750	PRICE
Blunt Point	07-8866	\$311	07-8867	\$302
Cross Cut Chisel	07-8873	\$311	07-8874	\$302
Moil Point	07-8839	\$311	07-8836	\$302

# DROP HAMMER



## FEATURES

- **Shock Free** - Patented "skid" system keeps the Cyclone grounded and dissipates the shock as it pulverizes the concrete
- **Moveable Hammer Pin** - For adjusting impact energy
- **Minimal Setup Time** - Increased productivity
- **Low Maintenance** - Field serviceable, no special tools required
- **Heavy Duty Buffer System** - Absorbs impact of a "mis-hit"
- **Easy Operation** - Reduces operator error and fatigue
- **Compact Design** - Makes transport simple
- **Simple Hook-Up** - Allows for easy change of attachments
- **Low Investment** - High production results in the lowest cost per yard-ton figures attainable

## DROP HAMMER

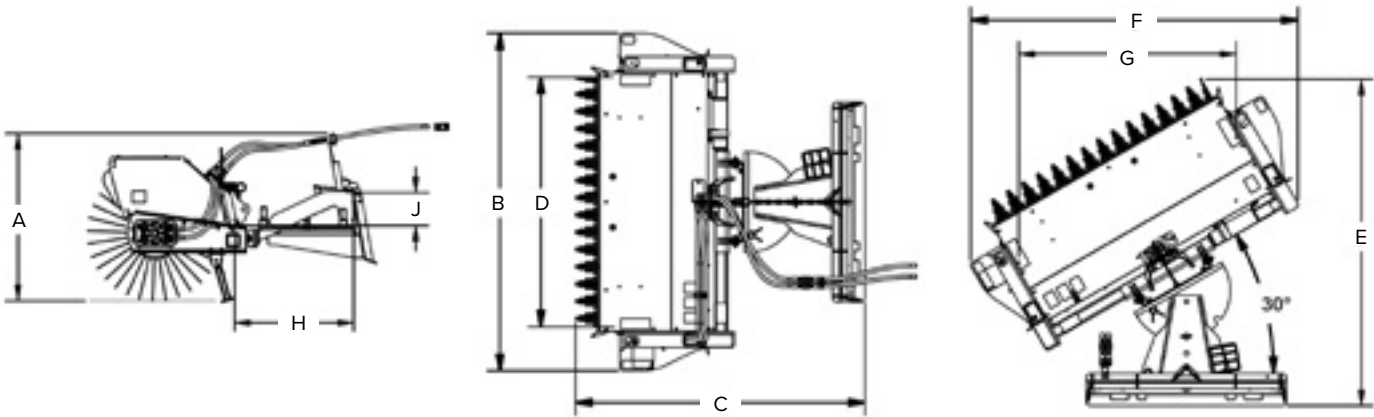
MODEL	IMPACT ENERGY CLASS	IMPACT RATE (BPM)	WEIGHT WITH BRACKET	OVERALL LENGTH	HYDRAULIC FLOW (GPM)	CARRIER WEIGHT CLASS	PRICE
DH3500	3500 ft-lbs	32	1540 lbs	65.5"	10.6-20.6	15400-26500	\$17,366
DH9000	9000 ft-lbs	23	3150 lbs	74"	21-31	26500+	\$30,760

# ANGLE BROOMS



## FEATURES

- Drive slips out of core without removing hydraulic lines from wheel motor
- Brush core is reversible for even brush wear
- 32" diameter brush for longer life
- Angles manually 30° left/right
- Faceted hood design provides maximum strength at ends of the hood
- Choose poly, wire, or poly/wire brush
- Includes skid steer mounting



HYDRAULIC ANGLE BROOM SPECIFICATIONS	60"	72"	84"	96"
A. Overall Height	39.5"	39.5"	39.5"	39.5"
B. Overall Width	80"	92"	104"	116"
C. Overall Length	68.5"	68.5"	68.5"	68.5"
D. Sweeping Width	60"	72"	84"	96"
E. Overall Length @ 30° Angle	77"	80"	83"	86"
F. Overall Width @ 30° Angle	77.5"	88"	98"	108.5"
G. Sweeping Width @ 30° Angle	52"	62.5"	73"	83"
H. Center of Gravity (Horizontal)				
Manual Angle / Single Motor	28"	29"	30"	30.5"
Manual Angle / Dual Motor	29"	29.5"	30.5"	40"
Hydraulic Angle / Single Motor	27"	28"	29"	30"
Hydraulic Angle / Dual Motor	28"	29"	29.5"	30"
J. Center of Gravity (Vertical)	8"	8"	8"	8"
Weight - Manual Angle/Single 17 CID Motor	815 lbs	865 lbs	915 lbs	965 lbs
Weight - Manual Angle/Single 25 CID Motor	820 lbs	870 lbs	920 lbs	970 lbs
Weight - Manual Angle/Dual 17 CID Motor	845 lbs	895 lbs	945 lbs	995 lbs

# ANGLE BROOMS SPECIFICATIONS

ANGLE BROOMS WITH 32" BRUSHES ("QC BROOMS")					
STYLE	WIDTH	FLOW	BRISTLE MATERIAL	ORDER CODE	PRICE
Manual Angle	72"	12 - 25 GPM	Poly-Wire Mix	22072MM-0022	\$8,462
	84"	12 - 25 GPM	Poly-Wire Mix	22084MM-0022	\$8,749
	60"	12 - 25 GPM	Poly-Wire Mix	22060MH-0022	\$10,301
			100% Poly	22060PH-0022	\$10,301
Hydraulic Angle	72"	12 - 25 GPM	100% Poly	22072PH-0022	\$10,816
			Poly-Wire Mix	22072MH-0022	\$10,816
	84"	20 - 36 GPM	Poly-Wire Mix	22073MH-0022	\$11,574
			100% Poly	22084PH-0022	\$11,357
	84"	12 - 25 GPM	Poly-Wire Mix	22084MH-0022	\$11,357
			100% Poly	22085PH-0022	\$11,857
		20 - 36 GPM	Poly-Wire Mix	22085MH-0022	\$11,857
			100% Poly	22096MH-0022	\$11,925
	96"	20 - 36 GPM	100% Poly	22097PH-0022	\$12,143
			Poly-Wire Mix	22097MH-0022	\$12,143

+ Includes 144" hoses for auxiliary hydraulic circuit with 1/2" flat-face QD's

32" REPLACEMENT BRUSHES FOR ANGLE BROOMS			
MATERIAL	DESCRIPTION	ORDER CODE	PRICE
Poly-Wire Mix	Set of Brush Sections for 60" Broom (Qty 29), 32" Diameter	01-1085	\$777
Poly-Wire Mix	Set of Brush Sections for 72" Broom (Qty 35), 32" Diameter	01-0930	\$776
Poly-Wire Mix	Set of Brush Sections for 84" Broom (Qty 41), 32" Diameter	01-0931	\$814
Poly-Wire Mix	Set of Brush Sections for 96" Broom (Qty 47), 32" Diameter	01-0933	\$951
100% Poly Bristles	Set of Brush Sections for 60" Broom (Qty 29), 32" Diameter	01-0272C	\$711
100% Poly Bristles	Set of Brush Sections for 72" Broom (Qty 35), 32" Diameter	01-0020C	\$811
100% Poly Bristles	Set of Brush Sections for 84" Broom (Qty 41), 32" Diameter	01-0079C	\$928
100% Poly Bristles	Set of Brush Sections for 96" Broom (Qty 47), 32" Diameter	01-0080C	\$939

CONTROLS FOR ANGLE BROOMS (REQUIRED FOR HYDRAULIC ANGLE ONLY)		
DESCRIPTION	ORDER CODE	PRICE
Independent Control Box	28-10754	\$383
7-pin for Bobcat 2012+ Models	07-9548	\$1,136
14-pin for Bobcat, Kubota, CNH, JCB	LAF9360-0000	\$268
14-pin for CAT D-series	07-8344	\$273
14-pin for John Deere 8-button	LAF9361	\$362
14-pin for John Deere EH control	07-7626	\$711
14-pin for Komatsu	07-10194	\$377
8-pin for CAT pre-B	07-10021	\$372
8-pin for CAT B and C	07-10122	\$346
8-pin for CNH	LAF9393	\$222
8-pin for Komatsu	07-10057	\$585
3-pin for John Deere	07-7338	\$278
60" 8-Wire Cable Extension for H or H2	07-7887	\$133

## POLY BRUSH



## POLY/WIRE BRUSH



# PICKUP BROOMS

## PICKUP BROOMS (SB HOPPER)



### FEATURES

- Direct-drive motor powered from loader hydraulics
- 10-25 GPM flow required (2,000-3,500 psi)
- 26" brush diameter
- 5', 6', 7' brush widths available
- Brush head reversible for "dust panning" debris
- Dump bucket by lifting arms
- Quick change core

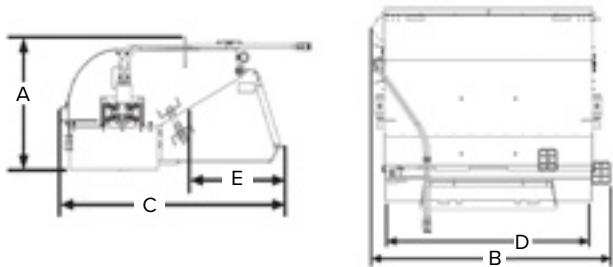
## HIGH-DUMP, HIGH-CAPACITY PICKUP BROOMS (VRS)



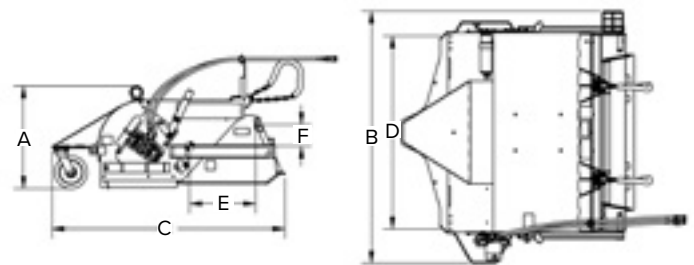
### FEATURES

- "Volumizing" feature: bucket holds more debris with less recirculation
- High dump design holds sweeper head clear of dumping bucket
- Quick-change brush without breaking hydraulic lines
- The hydraulic motor can be removed for brush change without tools

PICKUP BROOM (SB HOPPER)



HIGH-DUMP, HIGH-CAPACITY BROOM (VRS)





# PICKUP BROOMS SPECIFICATIONS

## PICKUP BROOMS FOR 15-25 GPM ("SB HOPPER BROOMS") (INCLUDES BOLT-ON EDGE)

DUTY CLASS	(D) WIDTH	BRISTLE MATERIAL	NUMBER OF HOLES	(A) HEIGHT	(B) OVERALL WIDTH	(C) LENGTH	(E) CENTER OF GRAVITY	WEIGHT	ORDER CODE	PRICE
Standard Duty (SD)	60"	100% Poly	6	30"	72.5"	61"	20.5"	943 lbs	21560P-0022	\$7,638
		Poly-Wire Mix	6	30"	72.5"	61"	20.5"	943 lbs	21560M-0022	\$7,473
	72"	100% Poly	7	30"	84.5"	61"	20.5"	1068 lbs	21572P-0022	\$6,975
		Poly-Wire Mix	7	30"	84.5"	61"	20.5"	1068 lbs	21572M-0022	\$7,324
	84"	100% Poly	8	30"	96.5"	61"	20.5"	1190 lbs	21584P-0022	\$7,464
		Poly-Wire Mix	8	30"	96.5"	61"	20.5"	1190 lbs	21584M-0022	\$7,464
Heavy Duty (HD)	72"	Poly-Wire Mix	7	30"	84.5"	61"	20.5"	1068 lbs	21572M-0022HD	\$8,604
	84"	Poly-Wire Mix	8	30"	96.5"	61"	20.5"	1190 lbs	21584M-0022HD	\$8,671

## HIGH-CAPACITY PICKUP BROOMS FOR 15-25 GPM ("VRS BROOMS") (INCLUDES BOLT-ON EDGE)

(D) WIDTH	BRISTLE MATERIAL	(A) HEIGHT	(B) OVERALL WIDTH	(C) LENGTH	(E) CENTER OF GRAVITY (HORIZONTAL)	(F) CENTER OF GRAVITY (VERTICAL)	WEIGHT	ORDER CODE	PRICE
60"	Poly-Wire Mix	31.5"	78.5"	72.5"	20.5"	7"	1150 lbs	VRS5M-0022	\$7,459
72"	Poly-Wire Mix	31.5"	90.5"	72.5"	20.3"	7"	1275 lbs	VRS6M-0022	\$8,691
84"	Poly-Wire Mix	31.5"	102.5"	72.5"	20.2"	7"	1400 lbs	VRS7M-0022	\$10,910

## 26" REPLACEMENT BRUSHES FOR PICKUP BROOMS

MATERIAL	DESCRIPTION	ORDER CODE	PRICE
Poly-Wire Mix	Set of Brush Sections for 60" Broom (Qty 35), 26" Diameter	01-1167	\$625
Poly-Wire Mix	Set of Brush Sections for 72" Broom (Qty 41), 26" Diameter	01-1168	\$734
Poly-Wire Mix	Set of Brush Sections for 84" Broom (Qty 49), 26" Diameter	01-1169	\$874
100% Poly Bristles	Set of Brush Sections for 60" Broom (Qty 35), 26" Diameter	01-0873	\$492
100% Poly Bristles	Set of Brush Sections for 72" Broom (Qty 41), 26" Diameter	01-1162	\$610
100% Poly Bristles	Set of Brush Sections for 84" Broom (Qty 49), 26" Diameter	01-1163	\$731

## OPTIONAL GUTTER BROOM KIT FOR PICKUP BROOMS

MATERIAL	TYPE	ORDER CODE	PRICE
100% Wire	Factory-Install	28-10323-W	\$2,414
100% Wire	Field-Install Kit	28-10327-W	\$2,414
100% Poly	Factory-Install	28-10323-P	\$2,414
100% Poly	Field-Install Kit	28-10327-P	\$2,414

## 25 GALLON SPRINKLER KITS FOR PICKUP BROOMS

TYPE	MACHINE ELECTRICAL	ORDER CODE	PRICE
Factory-Install	12v	28-10136	\$1,896
Field-Install Kit	12v	28-9139	\$1,896
Factory-Install	24v	28-10137	\$1,896
Field-Install Kit	24v	28-9193	\$1,896

## REPLACEMENT EDGE KITS

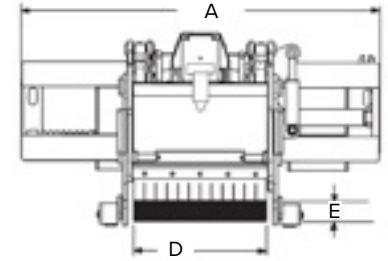
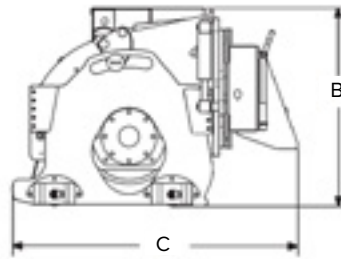
DESCRIPTION	ORDER CODE	PRICE
60" Bolt-On Edge Kit	07-6974	\$174
72" Bolt-On Edge Kit	07-6975	\$204
84" Bolt-On Edge Kit	07-6976	\$237

# COLD PLANERS



## FEATURES

- Planetary drive delivers high torque
- High rear spoil clearance to prevent recirculation of material
- Protective shields for hydraulic and electrical components
- Efficient piston drive motor
- Optional water tank available with adjustable mounting brackets to fit most skid steer loaders



### COLD PLANER SPECIFICATIONS

(D) PLANING WIDTH	(B) OVERALL HEIGHT	(C) OVERALL LENGTH	(A) OVERALL WIDTH	(E) PLANING DEPTH	NUMBER OF PICKS
12"	32"	44"	52"	0"-5"	37
18"	34.5"	50.5"	65"	0"-5"	45
24"	34.5"	50.5"	65"	0"-5"	57
40"	34.5"	50.5"	65"	0"-5"	89

### COLD PLANERS (MUST ORDER CONTROL SEPARATELY)

WIDTH	FLOW	HYDRAULIC CONNECTION	WEIGHT	ORDER CODE	PRICE
12"	15 - 22 GPM	1/2" QD w/o Case Drain	1500 lbs	101196	\$16,429
		1/2" QD w/ 3/8" Female Case Drain	2200 lbs	100265 _ 17777 _ 119997	\$26,517
	26 - 30 GPM	5/8" QD w/ 3/8" Male Case Drain	2200 lbs	100265 _ 17777 _ 119998	\$26,660
		3/4" QD w/ 3/8" Female Case Drain	2200 lbs	100265 _ 17777 _ 120002	\$26,802
		1/2" QD w/ 3/8" Female Case Drain	2200 lbs	100265 _ 17778 _ 119997	\$26,671
		5/8" QD w/ 3/8" Male Case Drain	2200 lbs	100265 _ 17778 _ 119998	\$26,814
18"	31 - 44 GPM	3/4" QD w/ 3/8" Female Case Drain	2200 lbs	100265 _ 17778 _ 120002	\$26,956
		1/2" QD w/ 3/8" Female Case Drain	2400 lbs	100266 _ 17777 _ 119997	\$31,022
	26 - 30 GPM	5/8" QD w/ 3/8" Male Case Drain	2400 lbs	100266 _ 17777 _ 119998	\$31,165
		3/4" QD w/ 3/8" Female Case Drain	2400 lbs	100266 _ 17777 _ 120002	\$31,307
		1/2" QD w/ 3/8" Female Case Drain	2400 lbs	100266 _ 17778 _ 119997	\$31,176
		5/8" QD w/ 3/8" Male Case Drain	2400 lbs	100266 _ 17778 _ 119998	\$31,319
24"	31 - 44 GPM	3/4" QD w/ 3/8" Female Case Drain	2400 lbs	100266 _ 17778 _ 120002	\$31,461
		1/2" QD w/ 3/8" Female Case Drain	3100 lbs	103030 _ 17778 _ 119997	\$41,173
	31 - 44 GPM	5/8" QD w/ 3/8" Female Case Drain	3100 lbs	103030 _ 17778 _ 119999	\$41,420
		5/8" QD w/ 3/8" Male Case Drain	3100 lbs	103030 _ 17778 _ 119998	\$41,316
		3/4" QD w/ 3/8" Female Case Drain	3100 lbs	103030 _ 17778 _ 120002	\$41,458
		3/4" QD w/ 3/8" Female Case Drain	3100 lbs	103030 _ 17778 _ 120002	\$41,458

### COLD PLANER CONTROLS

DESCRIPTION	ORDER CODE	PRICE
Bobcat, Ditch Witch, Gehl, Mustang, JCB, Takeuchi, Volvo	114874	\$602
CNH, Kubota SVL Series 2, Kubota SSV-2	116745	\$614
John Deere	114969	\$614
Kubota w/ Multi-Function Control Kit, JCB, Volvo, Takeuchi	118470	\$678
Bradco Control Handle Assembly	115403	\$678
CAT D-Series	120262	\$614

### COLD PLANER CONSUMABLES

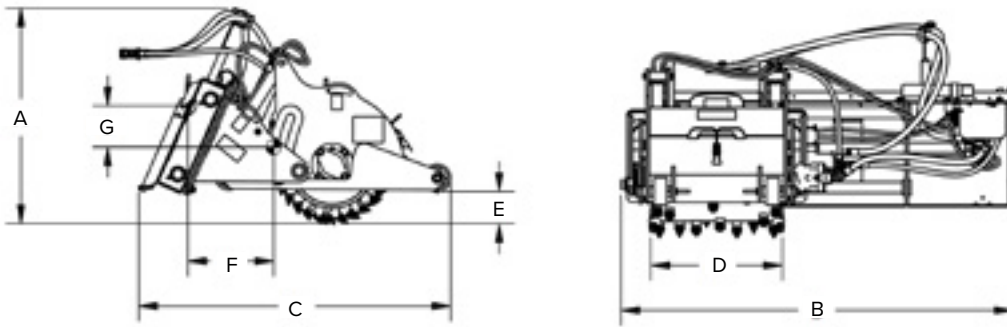
DESCRIPTION	ORDER CODE	PRICE
Replacement 50 Asphalt Picks	102058	\$788
Replacement 50 Extreme Duty Concrete Picks	102059	\$988
30gal Universal mount tank, 12v pump, with electrical control box (Mounts to skid steer roof)	104444	\$2,754

# ASPHALT MILLS



## FEATURES

- Ø1 Scarifies concrete and planes sidewalks and street joints
- Ø2 Side shifts 24" left or right to cut next to curbs and obstacles
- Ø3 Solid drum pushes milled material to the back, preventing remilling



### ASPHALT MILLS (INCLUDES STANDARD ASPHALT PICKS, REQUIRES CONTROLS)

(D) CUTTING WIDTH	FLOW	(A) OVERALL HEIGHT	(B) OVERALL WIDTH	(C) OVERALL LENGTH	(E) MAX. CUTTING DEPTH	(F) CENTER OF GRAVITY (HORIZONTAL)	(G) CENTER OF GRAVITY (VERTICAL)	WEIGHT	ORDER CODE	PRICE
16"	16 - 25 GPM	32.5"	70.5"	45"	5"	7"	11"	1225 lbs	LAF5413-0022	\$15,719
24"	28 - 45 GPM	39"	72.5"	57.5"	6"	16"	7.5"	1690 lbs	LAF5424-0022	\$27,595

Includes 60" hoses with 1/2" QD's

### CONTROLS (REQUIRED) - SELECT A PREFERRED INTERFACE COMPATIBLE WITH MACHINE MAKE/MODEL

COMPATIBILITY	MACHINE	ORDER CODE	PRICE
All	Independent control box	07-10013	\$536
7-pin	Bobcat, 2012+ Models	07-9548	\$1,136
14-pin	Bobcat, Case, JCB, New Holland, Komatsu, Kubota, and Volvo	LAF9360-0000	\$268
	CAT D XPS	07-8373	\$1,069
	CAT D XHP	07-8378	\$1,347
	John Deere pre-D with 8-button controls	LAF9361	\$362
8-pin	John Deere with EH controls and D/E series	07-7626	\$711
8-pin	Case	LAF9393	\$222

### ASPHALT MILLS CONSUMABLES

DESCRIPTION	ORDER CODE	PRICE
Replacement 50 Standard Asphalt Picks	28-10930	\$1,054

# ROCK SAWS



## FEATURES

- Needle valve flow control adjustment allows precise control of skid shoe height allowing digging depth to be adjusted "on the go"
- Abrasion resistant plate steel allows longer life
- Open front of saw allows efficient ejection of debris
- Forward movement allows operator to see what they are doing
- 2.5" or 4" wide cut available
- Standard general purpose picks, optional concrete picks

### ROCK SAWS (HOSES AND CONTROLS NOT INCLUDED)

CUT DEPTH	FLOW	CUT WIDTH	OPERATING WEIGHT	ORDER CODE	PRICE
24"	29 - 35 GPM	2.5"	2385 lbs	106875 _ 17777 _ 106684	\$29,109
		4.0"	2420 lbs	106875 _ 17777 _ 106685	\$29,182
	36 - 44 GPM	2.5"	2385 lbs	106875 _ 17778 _ 106684	\$29,263
		4.0"	2420 lbs	106875 _ 17778 _ 106685	\$29,336

### 88" HOSE KITS (REQUIRED)

COUPLER SIZE	ORDER CODE	PRICE
1/2"	106876	\$680
5/8"	106878	\$686
3/4"	106880	\$728

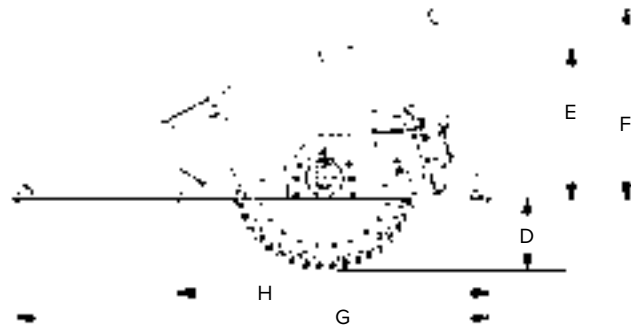
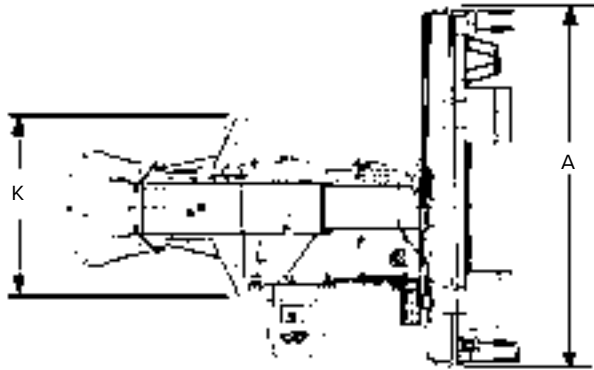
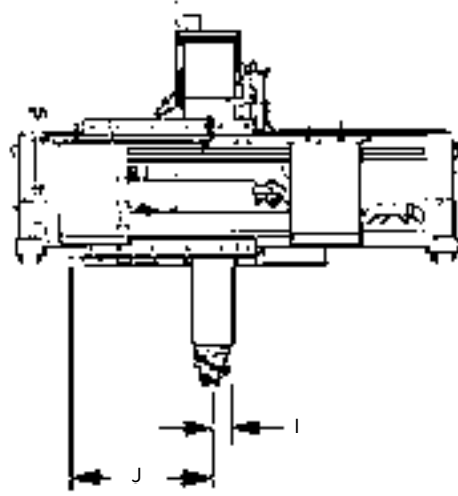
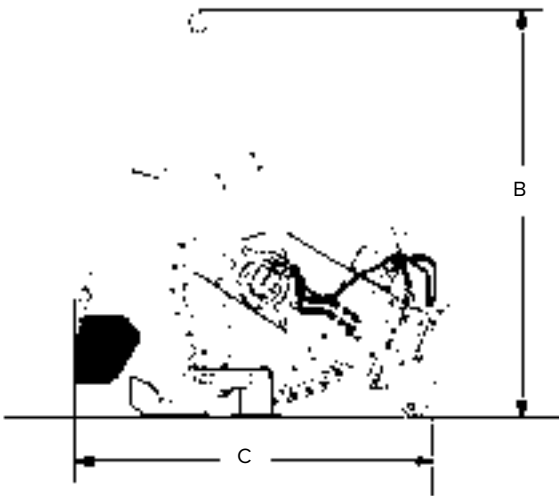
### CONTROLS (REQUIRED)

INTERFACE/STYLE	MACHINE COMPATIBILITY	ORDER CODE	PRICE
Independent Controls (power from battery connection)	All	104367	\$1,385
Independent Controls (power from 14-pin Deutsch)	All	104368 _ 101096	\$2,114
Integrated Controls (14-pin Deutsch)	Case, New Holland, Volvo, Bobcat, Ditch Witch, JCB, Takeuchi, Komatsu	101096	\$812
	CAT D Series	123746	\$505
	John Deere	108036	\$917
Integrated Controls (8-pin Deutsch)	ASV, Komatsu	108035	\$716
	CAT	115957	\$1,149

### OPTIONAL WATER KIT AND REPLACEMENT TEETH

DESCRIPTION	ORDER CODE	PRICE
30gal Universal mount tank, 12v pump, with electrical control box (Mounts to skid steer roof)	104444	\$2,754
Replacement 50 Extreme Duty Concrete Picks	102059	\$988
Replacement 50 Heavy Duty Picks (Comes Standard on Rock Saw)	102058	\$788

# ROCK SAWS SPECIFICATIONS



## RS24 ROCK SAW SPECIFICATIONS

A. Width (overall)	67"
B. Height (transport)(overall)	81"
C. Length (transport)(overall)	86"
D. Cutting Depth (maximum)	24"
E. Operating Height (guide arm down)	44"
F. Operating Height (guide arm up)	58"
G. Operating Length (guide arm down)	132"
H. Operating Length (guide arm up)	89"
I. Side Shift (center to left)	2.72"
J. Side Shift (center to right)	24"
K. Spoil Removal Path	34"
Wheel Diameter	60"
Number of Picks	56
Hydraulic Flow Requirement (GPM)	30 to 44
Operating Pressure (PSI)	2500 to 3000
Weight (without picks)(lbs)	2095
Operating Weight (with 2.5" cutting width)(lbs)	2385
Operating Weight (with 4" cutting width)(lbs)	2420

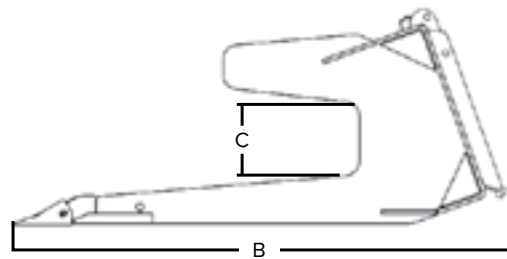
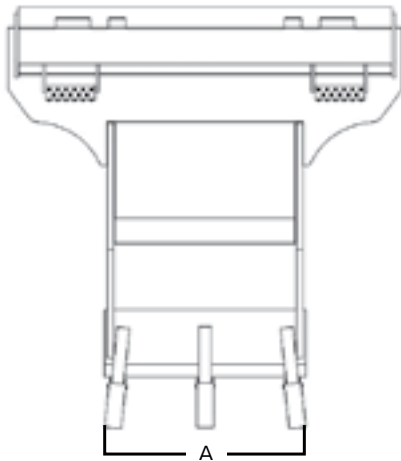
# CONCRETE CLAW

## EXTREME DUTY



### FEATURES

- Excellent attachment for removing concrete on sidewalks, driveways or any construction site
- High strength cast replacement points
- Rubberized flex points securely fasten replaceable points
- End plates and tooth shanks are made with high strength T1 steel
- 1" x 8" wear-resistant pacal steel tapered cutting edge



### CONCRETE DEMOLITION CLAWS

DUTY CLASS	(A) WORKING WIDTH	(B) WORKING DEPTH	(C) REAR OPENING HEIGHT	WEIGHT	ORDER CODE	PRICE
Extreme Duty (XD)	24"	48"	7.5"	442 lbs	10024-0022	\$2,840

### CONSUMABLES

DESCRIPTION	ORDER CODE	PRICE
Replacement Digging Tooth Kit (QTY 2)	118887	\$45

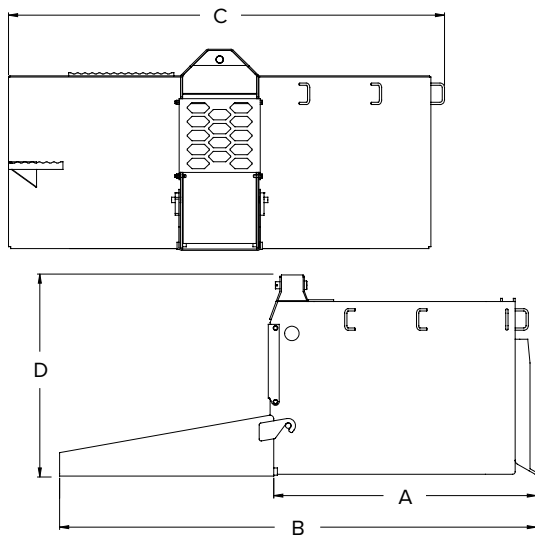
# CONCRETE CHUTERS



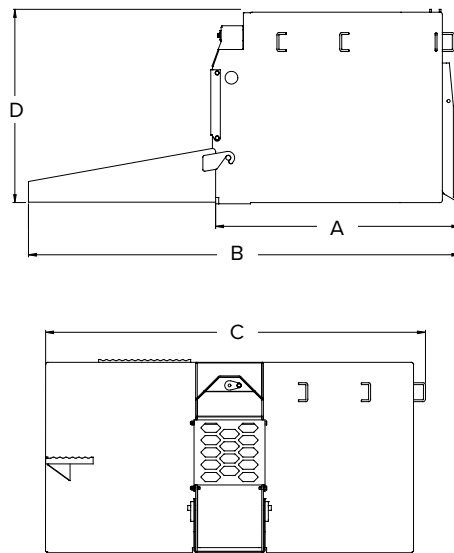
## FEATURES

- Carries and places concrete with a skid steer loader where cement trucks can't go
- Quick and clean, accurate placement of concrete with no mess
- Ideal for pouring deck footings and formed columns or walls
- Hydraulically controlled dispensing door with tight fitting seal
- No spill top edge for easy clean-up

1/2 yard Concrete Chuter



3/4 yard Concrete Chuter

















## CONCRETE CHUTERS (INCLUDES HOSES)

CAPACITY	WEIGHT	(A) LENGTH W/O CHUTE	(B) LENGTH W/ CHUTE	(C) WIDTH	(D) HEIGHT	ORDER CODE	PRICE
1/2 Yard	450 lbs	36.5"	65.5"	58"	28"	11050-0022	\$3,670
3/4 Yard	520 lbs	39"	68"	58"	31"	11075-0022	\$3,699

\* Includes 40" working hose length with 1/2" QD






















# THE RIGHT TOOL

LAND SCULPTOR	AUTORAKE
 <p><b>MOST ECONOMICAL</b></p> <p>Inexpensive solution for light sculpting and grading. The flat deck design doubles as a light-duty platform for carrying materials and tools around the job site</p>	 <p><b>BEST FOR CLEANUP</b></p> <p>Rakes small rocks and other loose debris into a perforated bucket, leaving a clean, finished job site without affecting the established grade</p>

Direction of Use	 <p><b>Bi-Directional</b></p>	 <p><b>Best in Reverse</b></p>
Debris pickup / sorting	Does Not Collect / Sort Debris	Collects Debris .75" - 6" in Diameter
Sculpting high spots / low spots		
Leave visually "finished" surface		
Leave seed-ready surface		
Windrowing debris		
Deep aeration		



# FOR THE RIGHT JOB

PREPARATOR	HARLEY RAKE	TILLER
 <p><b>BEST FOR SITE PREPARATION</b></p> <p>Collects large rocks up to 20" in diameter and corrects ruts and peaks in the ground, leaving a site that's ready for seeding and sodding</p>	 <p><b>BEST FOR LANDSCAPING</b></p> <p>The perfect landscaping tool. Breaks up tough, compacted soil, sifts out medium-sized stones and rocks, windrows debris, and leaves a sculpted surface that's grass-seed ready</p>	 <p><b>BEST FOR AGRICULTURE</b></p> <p>Deep aeration and commingling of soil additives and existing vegetation leaves a soil that's primed for planting and gardening</p>
 <p><b>Bi-Directional</b></p>	 <p><b>Bi-Directional</b></p>	 <p><b>Best in Reverse</b></p>
<p><b>Collects Debris Up to 20" in diameter</b></p>	<p><b>Sifts and Windrows Debris Adjustable Debris Size</b></p>	<p><b>Does Not Collect / Sort Debris</b></p>
		
		
		
		
		

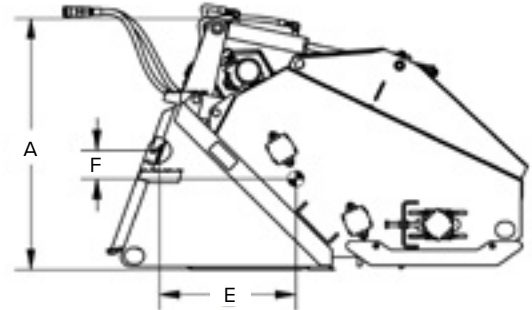
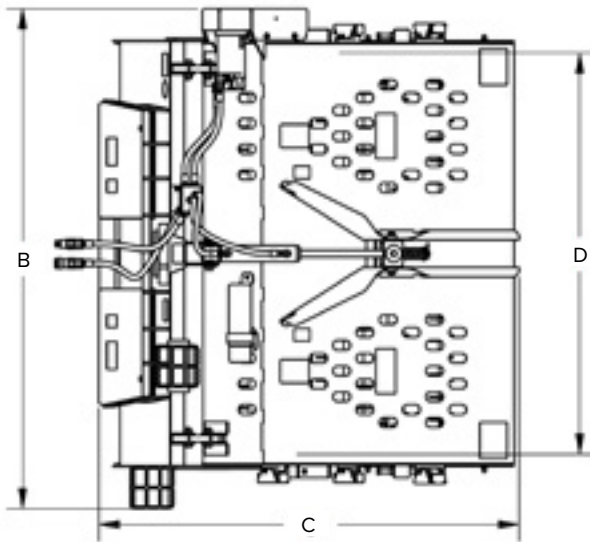
# LANDSCAPE RAKE - AUTORAKE®

## HEAVY DUTY



### FEATURES

- Grooms and finishes soil for seeding or sodding
- Breaks up clods and levels the soil
- Picks up rocks .75" to 6" in diameter
- Collects rocks and debris in hopper
- Dumps collected debris quickly and easily
- Heavy-duty design features 1.75" hex drive shaft and pintle sprockets for longer life and increased durability
- To dump hopper, raise loader arms and open shroud hydraulically



AUTORAKE®									
DUTY CLASS	(D) RAKING WIDTH	(B) OVERALL WIDTH	WEIGHT	(A) HEIGHT	(C) LENGTH	(E) CENTER OF GRAVITY (HORIZONTAL)	(F) CENTER OF GRAVITY (VERTICAL)	ORDER CODE	PRICE
Heavy Duty (HD)	62"	78"	1350 lbs	39"	65.5"	21"	4.5"	LAF6864-0022*	\$15,472
	72"	88"	1455 lbs	39"	65.5"	21"	4.5"	LAF6874-0022*	\$15,977

\*Includes 93" hoses with 1/2" QD

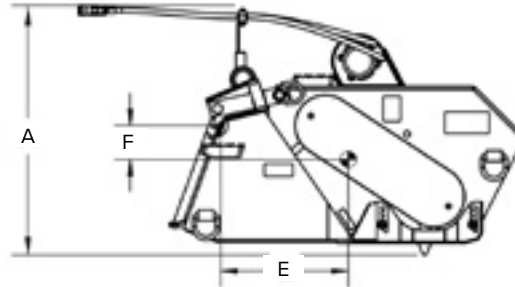
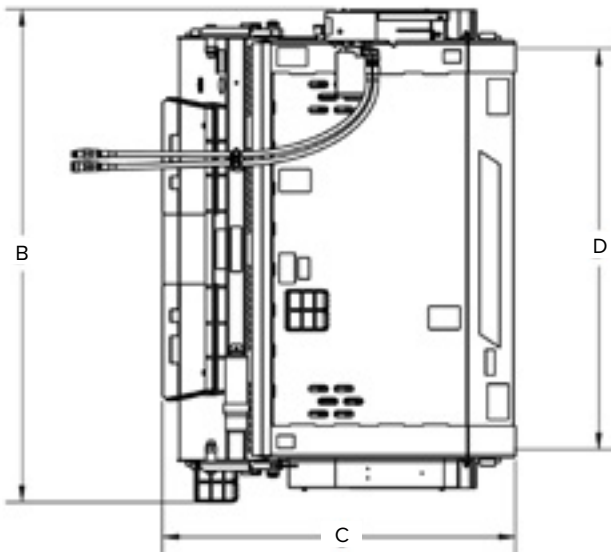
# LANDSCAPE RAKE - PREPARATOR

## EXTREME DUTY



### FEATURES

- Clean-up, rock removal and soil preparation rolled into one
- Follows ground contour while picking up rock & debris
- Tills and fluffs as it grooms the soil
- Rotating bi-directional drum carries rock and debris into bucket
- Bi-directional drum tills up to 2.5" deep
- Picks up rocks 1" to 20" in diameter
- Perforated bucket floor sifts dirt through
- Bucket dumps quickly and easily
- Provides excellent visibility of the work



### PREPARATORS

DUTY CLASS	(D) WORKING WIDTH	(B) OVERALL WIDTH	WEIGHT	(A) HEIGHT	(C) LENGTH	(E) CENTER OF GRAVITY (HORIZONTAL)	(F) CENTER OF GRAVITY (VERTICAL)	ORDER CODE	PRICE
Extreme	66"	78"	1445 lbs	39"	55.5"	20.5"	6"	LAF3566-0022*	\$15,206
Duty (XD)	76"	88"	1565 lbs	39"	55.5"	20.5"	6"	LAF3576-0022*	\$16,046

\*Includes 104" hoses with 1/2" QD

# HARLEY RAKES

## HYDRAULIC ANGLE



### HYDRAULIC ANGLE FEATURES

- Adjustable 6" polypropylene barrier allows you to quickly choose the size of material you want to leave on the seedbed. The barrier is stiff enough for pushing yet flexible enough to let damaging debris to pass
- Bi-directional motor allows the drum to rotate in either direction maximizing flexibility
- Pure carbide proprietary teeth design - specially shaped to ensure the best possible seedbed sub-base fracture pattern and superior moisture retention and release
- Quick and easy removable box-end plates for windrowing and reverse box raking...no bolts, just pull the pins
- Dual independently adjustable gauge wheels allow for skim passes for over-seeding - or - adjust to cut drainage grades

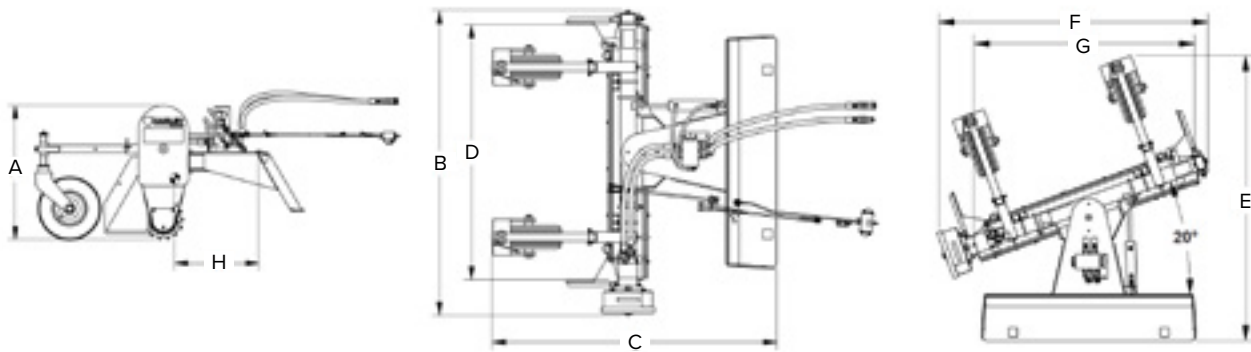
## MANUAL ANGLE



### MANUAL ANGLE FEATURES

- Triple-sealed and shielded bearings for extra protection and long life
- Dual independently adjustable gauge wheels allow for skim passes for over seeding - or - adjust to cut drainage grades
- Slim profile frame bearing ends allow full depth, first-pass teeth penetration
- Quick and easy removable box-end plates allow windrowing and reverse box raking - no bolts, just pull the pins

# HARLEY RAKES SPECIFICATIONS



## HARLEY RAKES (INCLUDES HOSES)

STYLE	(D) RAKING WIDTH	FLOW	WEIGHT	(B) OVERALL WIDTH	(C) LENGTH	ORDER CODE	PRICE
Hydraulic Angle (Requires Controls)	72"	13 - 25 GPM	985 lbs	82"	61.5"	M6H-0022*	\$13,275
	84"	15 - 25 GPM	1055 lbs	93.5"	61.5"	MX7H-0022*	\$14,031
	90"	17 - 40 GPM	1325 lbs	101"	72.5"	MX8H-0022*	\$16,142
Manual Angle	72"	13 - 25 GPM	980 lbs	82"	61.5"	M6M-0022*	\$12,025

\*Includes 68" hoses with 1/2" QD

## SPECIFICATIONS CONT.

STYLE	ORDER CODE	(A) OVERALL HEIGHT	(G) RAKING WIDTH @ 20°	(E) OVERALL LENGTH @ 20°	(F) OVERALL WIDTH @ 20°	(H) CENTER OF GRAVITY	PRICE
Hydraulic Angle	M6H-0022	33"	68"	68.5"	78"	24"	\$13,275
	MX7H-0022	33"	79"	71"	89"	23.5"	\$14,031
	MX8H-0022	36"	85"	83"	100"	27"	\$16,142
Manual Angle	M6M-0022	33"	68"	68.5"	78"	24"	\$12,025

## CONTROLS

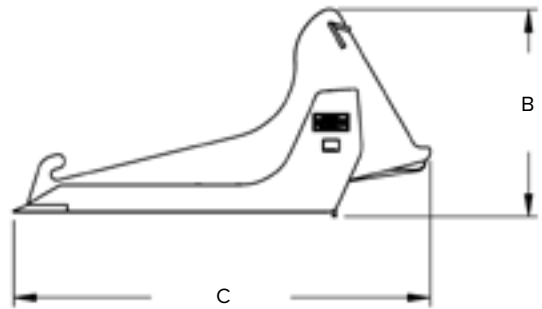
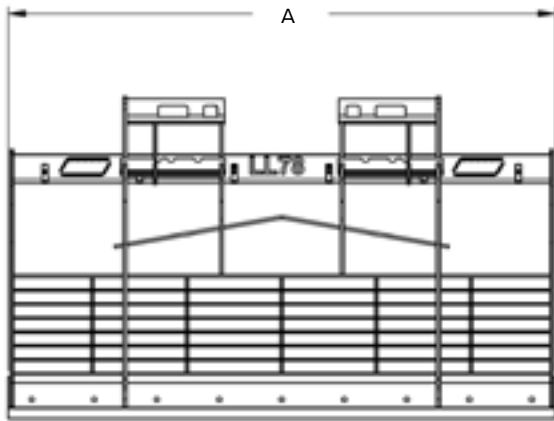
DESCRIPTION	ORDER CODE	PRICE
Independent Control Box, fits Harley Rakes with Hydraulic Angle	28-10754	\$383
7-pin for Bobcat 2012+ Models, fits Harley Rakes with Hydraulic Angle	07-9548	\$1,136
14-pin for CAT D, fits Harley Rakes with Hydraulic Angle	07-8344	\$273
14-pin for John Deere with 8-Button Control, fits Harley Rakes with Hydraulic Angle	LAF9361	\$362
14-pin for John Deere with EH Control, fits Harley Rakes with Hydraulic Angle	07-7626	\$711
14-pin for Komatsu, fits Harley Rakes with Hydraulic Angle	07-10194	\$377
14-pin for Kubota (with multi-function in cab controls), CNH, Bobcat, and JCB, fits Harley Rakes with Hydraulic Angle	LAF9360-0000	\$268
8-pin for CAT B and C, fits Harley Rakes with Hydraulic Angle	07-10122	\$346
8-pin for CAT pre-B, fits Harley Rakes with Hydraulic Angle	07-10021	\$372
8-pin for CNH, fits Harley Rakes with Hydraulic Angle	LAF9393	\$222
8-pin for Komatsu, fits Harley Rakes with Hydraulic Angle	07-10057	\$585
3-pin for John Deere, fits Harley Rakes with Hydraulic Angle	07-7338	\$278

# LAND SCULPTOR



## FEATURES

- Heavy-duty bevelled front cutter bar provides extra strength and reduces wear
- Adjustable rear scraper for optimum land shaping
- Exclusive staggered grate design prevents wedging of small rocks while leveling
- Grate will sift out rocks and can be used as a carry-all
- V-shaped intermediate scraper shears off high spots and draws dirt to the sides
- Long-lasting powder paint used throughout frame and structure
- Optional scarifier assembly digs in to break up hard-packed dirt
- Strategic placement of scarifier teeth permits ground engagement while in the retracted position
- Optional comb assembly breaks up clumps and leaves a textured appearance



LAND SCULPTORS						
(A) WIDTH	STYLE	(B) OVERALL HEIGHT	(C) OVERALL LENGTH	WEIGHT	ORDER CODE	PRICE
78"	Bare	23"	43.5"	515 lbs	106400	\$2,843
	With Comb, Scarifiers, and Bolt-On Cutter Bar	23"	43.5"	810 lbs	124730	\$4,411

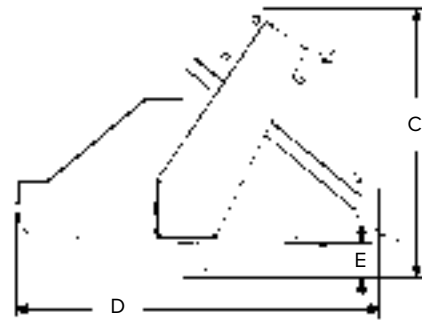
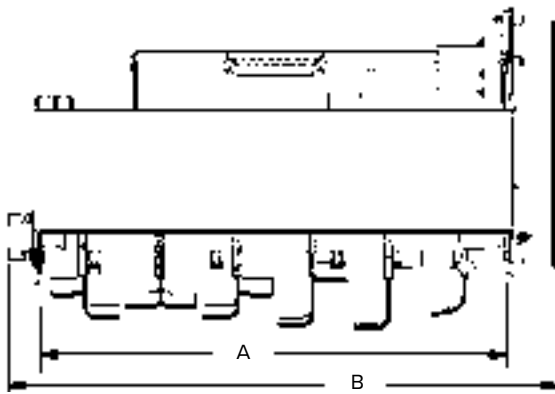
REPLACEMENT OPTIONS				
ITEM	WEIGHT	ORDER CODE	PRICE	
Replacement Comb	109 lbs	106379	\$806	
Replacement Scarifier Kit	59 lbs	107009	\$651	
Replacement Bolt-On Cutter Bar	127 lbs	16204	\$700	

# TILLERS



## FEATURES

- Breaks up sod and clumps of soil
- Mixes compost and other materials
- Prepares soil for seeding or reseeding; great for small soil stabilization and landscape jobs
- High torque efficient chain drive system
- Exclusive two position offset mount on 66" & 78" tiller covers wheel tracks and allows tight cut next to obstacles
- Standard dual rotation with bi-directional tines
- Scarifier assembly increases productivity by combining the tractive effort and force of the loader with the hydraulic horse power of the tiller



### ADJUSTABLE OFFSET TILLERS

FLOW	(A) TILLING WIDTH	(B) OVERALL WIDTH	(C) OVERALL HEIGHT	(D) OVERALL DEPTH	(E) TILLING DEPTH	WEIGHT	MAX PSI	ORDER CODE	PRICE
18 - 28 GPM	66"	75.5"	35"	47"	6"	1000 lbs	3000	100935-E6-0022*	\$8,196
29 - 44 GPM	78"	88"	35"	47"	6"	1300 lbs	3500	103286-H6-0022*	\$10,391

\*Includes 88" hoses, 1/2" QD

# TRENCHERS

## 625 SERIES TRENCHER



### 625 SERIES FEATURES

- 30", 36", 42" & 48" digging depth available to fit most applications
- Heavy-duty boom & crumpler with replaceable wear strips
- Allows tight fit with single side spoil augering
- Several tooth options available
  - > CUP
  - > SHARK
  - > ROCK & FROST
- 50,000 lb 2" anti-back flex-chain for tooth pattern versatility to support many soil types and conditions
- Manual side shift

## 640 SERIES TRENCHER



### 640 SERIES FEATURES

- 30", 36", 42" & 48" digging depth available to fit most applications  
\*60" high flow only
- Two position manual side shift
- Fixed length booms available featuring spring-loaded, self adjusting idler with full rock guards
- Heavy-duty boom & crumpler
- Allows tight fit with single side spoil augering
- Replaces dedicated machines at a fraction of the cost
- Several tooth options available
  - > CUP
  - > SHARK
  - > ROCK & FROST
- 50,000 lb 2" anti-back flex-chain for tooth pattern versatility to support many soil types and conditions



# TRENCHERS SPECIFICATIONS

TRENCHING HEADS (HOSES INCLUDED)				
MODEL	FLOW	WEIGHT	ORDER CODE	PRICE
625 Series	12 - 25 GPM	850 lbs	89220_19709*	\$5,700
	18 - 26 GPM	1100 lbs	100269**	\$6,013
640 Series	25 - 28 GPM	850 lbs	102326**	\$6,205
	29 - 35 GPM	900 lbs	100270** (60"*** Chain Only Usable With Highflow)	\$7,768
	35 - 45 GPM	900 lbs	102325** (60"*** Chain Only Usable With Highflow)	\$7,812

\*Includes 88" hoses with 1/2" QD

\*\*Includes 123" hoses - QD must be ordered separately

\*\*\*Requires 640 Series Head, 29+ GPM

## Soil Type 1: General Purpose // Tooth Configuration: "TES" - Cup-Style Tooth at Every Station

A tooth configuration that is for generally good, normal digging conditions. Light to moderately compacted soils with generally balanced sand and loam content. Also works well in soils with some loose gravel. \*In soils with higher clay content, recommend to remove up to 50% of teeth to reduce sticking and gumming.

## Soil Type 2: Compacted Soils // Tooth Configuration: "70/30" - Combination 70% Shark Teeth, 30% Cup-Style Teeth

Configured for compacted soils, lightly frozen ground, baked hard clay, shale, and rocky soils. Shark teeth provide a cutting action while cup teeth remove debris from the trench.

## Soil Type 3: Rock and Frost // Tooth Configuration: "R&F" - Combination 50% Bullet Carbides, 50% Cup-Style Teeth

Frozen ground, highly compacted soils, and soils with high rock content. Very aggressive in frozen and rocky conditions, but not as productive in normal digging conditions..

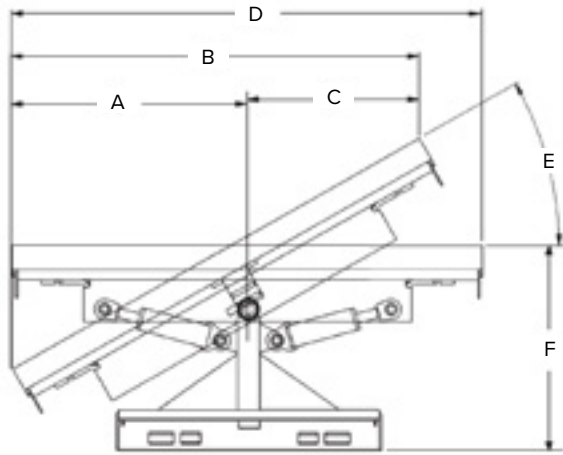
BOOM, CRUMBER, CHAIN, AND TOOTH CONFIGURATION							
TRENCHING DEPTH	CHAIN WIDTH	ORDER CODES					
		TYPE 1: GENERAL PURPOSE "TES"	PRICE	TYPE 2: COMPACTED SOILS "70/30"	PRICE	TYPE 3: ROCK AND FROST "R&F"	PRICE
30"	6"	89281 _ 79154	\$1,960	89281 _ 31546	\$2,174	89281 _ 83706	\$3,488
	8"	89281 _ 79155	\$2,094	Not available	-	Not available	-
	10"	89281 _ 79156	\$2,321	Not available	-	Not available	-
	12"	89281 _ 79157	\$2,412	Not available	-	Not available	-
36"	6"	89282 _ 79099	\$2,313	89282 _ 31547	\$2,416	89282 _ 83707	\$3,605
	8"	89282 _ 79100	\$2,098	Not available	-	Not available	-
	10"	89282 _ 79158	\$2,360	Not available	-	Not available	-
	12"	89282 _ 81120	\$2,566	Not available	-	Not available	-
42"	6"	89283 _ 82114	\$2,240	89283 _ 31563	\$2,641	89283 _ 83708	\$4,027
	8"	89283 _ 82115	\$2,403	Not available	-	Not available	-
	10"	89283 _ 82116	\$2,618	Not available	-	Not available	-
48"	6"	89284 _ 79101	\$2,656	89284 _ 31548	\$2,704	89284 _ 83709	\$4,300
	8"	89284 _ 79102	\$2,670	Not available	-	Not available	-
60"	6"	100272 _ 80053	\$3,422	100272 _ 31542	\$3,981	100272 _ 83705	\$5,849

QD SETS FOR 640 SERIES TRENCHERS			
FLOW	DESCRIPTION	ORDER CODE	PRICE
18 - 26 GPM	.50" body flat face couplers	23609	\$173
	.62" body flat face couplers	124359	\$552
25 - 45 GPM	.50" body with .38" male drain	119996	\$277
	.50" body with .38" female drain	119997	\$311
	.62" body with .38" male drain	119998	\$454
	.62" body with .38" female drain	119999	\$558
	.75" body with .25" male drain	120000	\$572
	.75" body with .38" male drain	120001	\$583
	.75" body with .38" female drain	120002	\$596
	.75" body with .50" male drain	120003	\$425

# DOZER BLADES



- Hydro-electric controlled angle and tilt, using only one loader valve
- Angle 30° right or left off center
- Tilt 10° off horizontal both directions
- Tilt indicator visible from operator's seat
- Angle and tilt cylinders are interchangeable and equipped with self aligning bushings
- Reversible .75" x 8" bolt-on cutting edge & formed moldboard .31" thick & 28" high
- Large 3" center pivot pin with hardened steel bushings



SPECIFICATIONS	84"	96"
A. Width From Centerline to Inside Edge @ 15° Angle	43.5"	49.5"
A. Width From Centerline to Inside Edge @ 30° Angle	42"	47.5"
B. Dozer Blade Width @ 15° Angle	81"	93"
B. Dozer Blade Width @ 30° Angle	73"	83.5"
C. Width From Centerline to Outside Edge @ 15° Angle	37.5"	43.5"
C. Width From Centerline to Outside Edge @ 30° Angle	31"	36"
D. Overall Width	84"	96"
E. Angle Left and Right	30°	30°
F. Overall Length	36.5"	36.5"

DOZER BLADES (HOSES INCLUDED)							
WIDTH	WEIGHT	HEIGHT	OVERALL DEPTH	ANGLE LEFT/RIGHT	TILT	ORDER CODE	PRICE
84"	1365 lbs	30"	37"	+/- 30-deg	+/- 10-deg	88861*	\$9,228
96"	1460 lbs	30"	37"	+/- 30-deg	+/- 10-deg	89681*	\$9,436

\*Includes 80" hoses, 1/2" QD

CONTROLS (REQUIRED)		
DESCRIPTION	ORDER CODE	PRICE
Independent Control Box	15756	\$676
14 pin Bobcat	110627	\$552
14 pin Kubota, Case, CAT, New Holland, Volvo, Ditch Witch, Gehl, Mustang, Komatsu	25887	\$551
14 pin John Deere	25904	\$552
14 pin Takeuchi	113330	\$582
8 pin CAT, ASV, Komatsu	25886	\$551
3 pin John Deere	25885	\$519

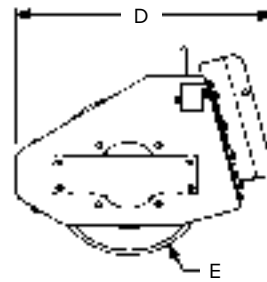
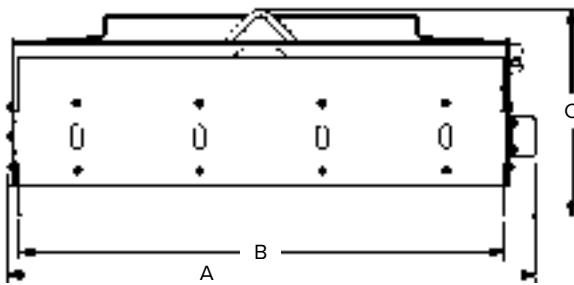
# VIBRATORY ROLLER

## PADDED



- Hydraulic drives are protected and isolated to provide maximum performance and reliability
- Delivers up to 9,370 lbs or dynamic force when operating at 20 GPM
- 15° oscillation of drums
- Steel drum has an adjustable steel scrap blade between the frame and the drum ensuring smooth and uniform compaction performance
- Ideal for rental fleets, contractors, landscaping, roadways, walkways, bike paths, golf courses bridges and parking lots

## SMOOTH



### VIBRATORY ROLLERS

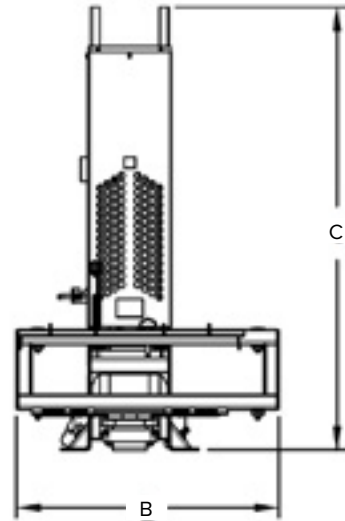
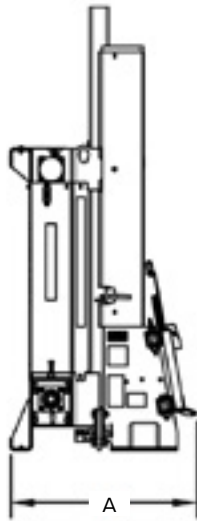
STYLE	(B) DRUM WIDTH	OPERATING WEIGHT	(A) OVERALL WIDTH	(D) OVERALL DEPTH	DYNAMIC FORCE	(C) HEIGHT	(E) DRUM DIAMETER	VIBRATING SPEED (VPM)	ORDER CODE	PRICE
Padded	66"	2085 lbs	72"	39"	7800 lbs	31"	20"	2600	105066	\$14,974
	73"	2230 lbs	79"	39"	8550 lbs	31"	20"	2600	105067	\$15,621
	84"	2455 lbs	90"	39"	9370 lbs	31"	20"	2600	105068	\$16,532
Smooth	66"	2150 lbs	72"	39"	7800 lbs	31"	24"	2600	105062	\$14,021
	73"	2300 lbs	79"	39"	8550 lbs	31"	24"	2600	105063	\$14,619
	84"	2530 lbs	90"	39"	9370 lbs	31"	24"	2600	105064	\$15,268

\*Includes 80" hoses, 1/2" QD

# POST DRIVERS



- Manual side shift
- Operates off skid steer hydraulics
- Does not mushroom posts
- No shock load back to skid steer



POST DRIVER							
(A) OVERALL LENGTH	(B) OVERALL WIDTH	(C) OVERALL HEIGHT	MAX. STROKE	WEIGHT	MAX. HAMMER WEIGHT	ORDER CODE	PRICE
39"	54"	91.5"	48"	1360 lbs	600 lbs	111487 _ 112491 _ 112920	\$10,724

\*Includes 108" hoses, 1/2" QD

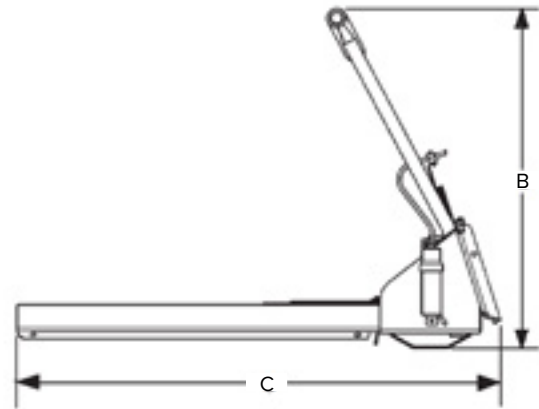
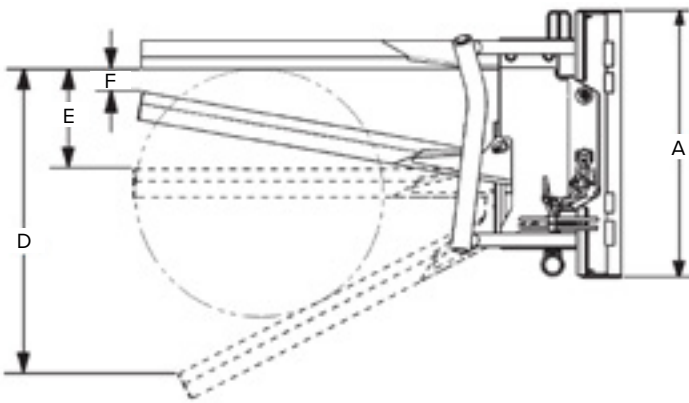
POST DRIVER ACCESSORIES			
DESCRIPTION	WEIGHT	ORDER CODE	PRICE
Tilt Kit and Valve Package for Post Driver, with Hoses [Requires Tilt Attach]	25 lbs	112921	\$1,207

# TREE FORKS

## HIGH CAPACITY



- Position plants, trees and large shrubs quickly and with ease
- Will grasp up to 44" tree balls
- 6" tread plate on forks to firmly grip bags, boxes, pots and rocks
- 3,000 lb carrying capacity



### TREE FORK (HOSES NOT INCLUDED)

CAPACITY	WEIGHT	MAX ROOT BALL SIZE	MAX LOAD	(A) OVERALL WIDTH	ORDER CODE	PRICE
High-Capacity	667 lbs	44"	3000 lbs	47.5"	101502	\$5,141

### TREE FORKS SPECIFICATIONS CONT.

(B) OVERALL HEIGHT	(C) OVERALL LENGTH	(D) FORK OPENING - MAXIMUM AT TIPS	(E) FORK OPENING - PARALLEL	(F) FORK OPENING - MINIMUM AT TIPS
60.5"	86"	54"	18"	4"

### HOSES (1/2" QD)

LENGTH	ORDER CODE	PRICE
66"	103577	\$278
94"	103603	\$305

# TREE SPADES



## COMPACT CAPACITY FEATURES

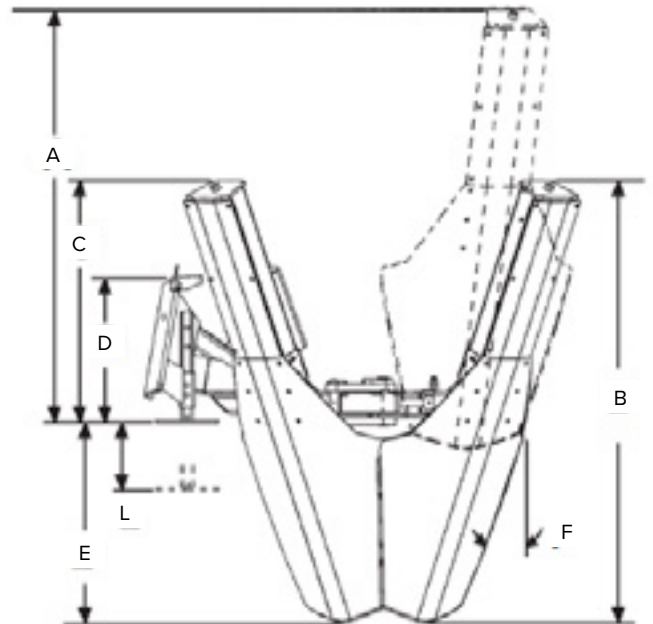
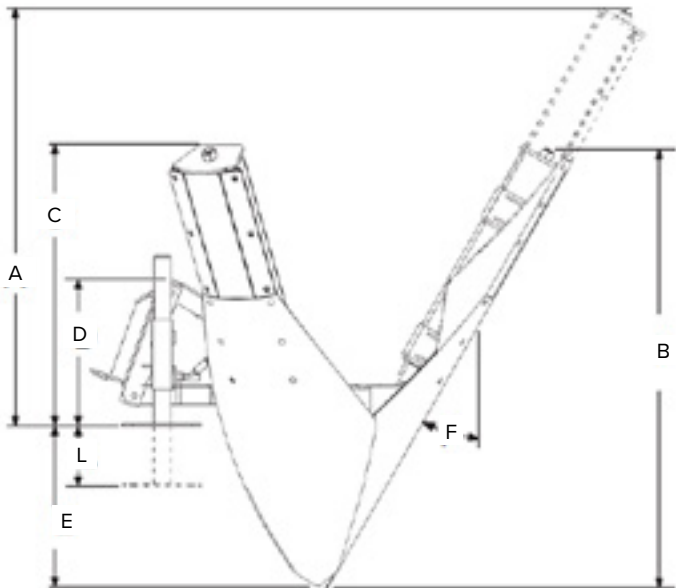
- Ideal for transplanting and burlapping small trees and shrubs in sandy or hard packed soil
- Low profile blade towers allow tree spade to fit between closely planted trees
- Adjustable legs to set digging depth
- High tensile, abrasion resistant blades close to a point in the down position to clean cut tap roots
- Electric over hydraulic control with hand held joystick to operate the spade and rear stabilizers and an optional cord extension for the joystick control

## STANDARD/HIGH/EXTREME CAPACITY FEATURES

- Provides an uncompromised digging angle between truncated and cone style to adapt to various soil conditions
- 25° angle and deep stroke of the blades produces several uniform ball sizes with one set of blades
- Pointed high tensile, abrasion resistant blades
- Blade towers incorporate high density plastic slides that are self lubricating
- Industry standard wire baskets for balled and burlap tree harvesting

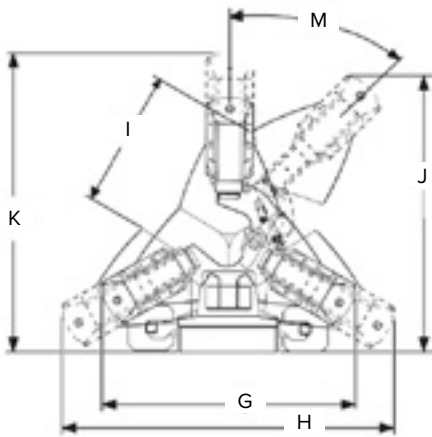
Compact Capacity

Standard / High / Extreme Capacity

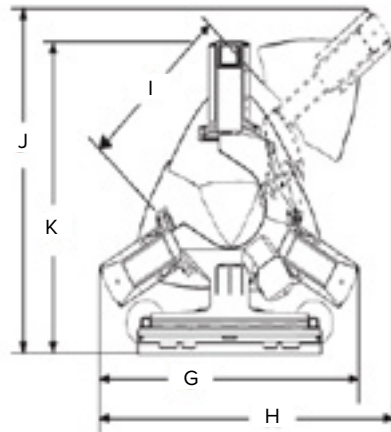


# TREE SPADES SPECIFICATIONS

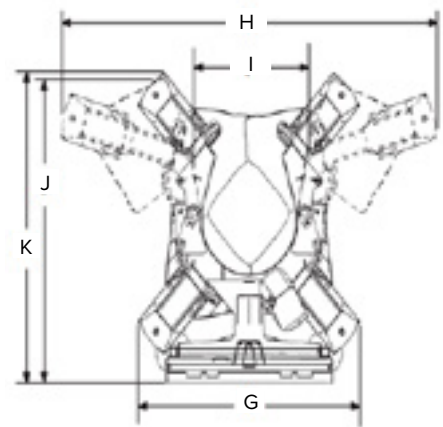
Compact Capacity



Standard / High Capacity



Extreme Capacity



## TREE SPADES

CAPACITY	(E) DIGGING DEPTH	TREE BALL DIAMETER	WEIGHT	BLADES	ORDER CODE	PRICE
Compact Capacity	16"	16" - 20"	525 lbs	3	25605 _ 25696*	\$12,738
Standard Capacity	22"	18" - 26"	1100 lbs	3	25670*	\$18,601
High Capacity	31"	24" - 36"	1500 lbs	3	25370*	\$19,068
Extreme Capacity	31"	32" - 44"	1825 lbs	4	25570*	\$24,152

\*Includes 96" hoses with 1/2" QD

## TREE SPADES SPECIFICATIONS

	COMPACT CAPACITY	STANDARD CAPACITY	HIGH CAPACITY	EXTREME CAPACITY
(A) Overall Height - Blades Up (Open)	42"	51"	64.5"	64.5"
(B) Overall Height - Blades Down (Closed)	44.5"	53.5"	69"	69"
(C) Shipping Height - Blades Removed	28.5"	32"	38"	38"
(D) Frame Height	15"	22.5"	22.5"	22.5"
(F) Cutting Angle	30°	25°	25°	25°
(G) Overall Transport Width (Gate Closed)	45.5"	51"	66"	63"
(H) Overall Width (Gates Open)(Blades Up)	59.5"	66.5"	88.5"	107"
(I) Maximum Gate Opening	26"	29"	40"	33"
(J) Overall Length (Gate Open)	49"	64"	75"	68"
(K) Overall Transport Length (Gate Closed)	53.5"	63"	68"	69.5"
(L) Maximum Leg Adjustment	6"	10.5"	10.5"	10.5"
(M) Gate Swing	45°	-	-	-

## REPLACEMENT ITEMS

DESCRIPTION	WEIGHT	ORDER CODE	PRICE
Replacement Joystick	10 lbs	25425	\$2,568

# AUGER DRIVES

## X1500 AUGER DRIVE



### FEATURES

- Maximum output torque 1,998 lb-ft
- 2-9/16" round output shaft
- Dual pivot with lockout pin to single pivot
- Maximum 3,000 PSI
- 30" maximum auger diameter

### AUGER DRIVES (INCLUDES COMMON INDUSTRY INTERFACE MOUNT, CRADLE AND HOSES)

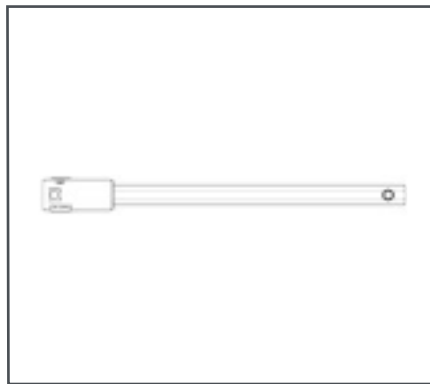
SERIES	FLOW	HUB SHAPE	WEIGHT	ORDER CODE	PRICE
X1500	8 - 15 GPM	2.56" Round	150 lbs	24453	\$3,031
		2" Hex	150 lbs	24861	\$2,745

\*Includes mount with cradle and 66" hoses with 1/2" QD

See page 28 for Augers



See page 30 for Extensions, Teeth and Components



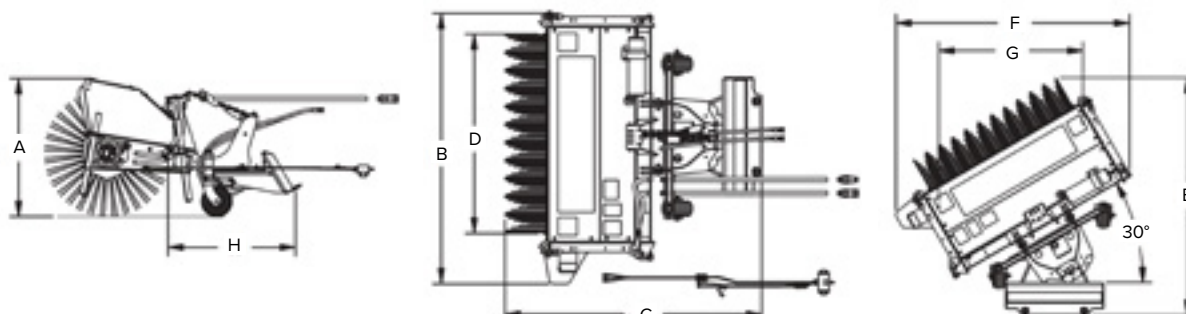


# ANGLE BROOMS



## FEATURES

- Dethatching lawns, snow removal, cleaning sidewalks, general clean up
- 26" diameter brush heads
- Includes pump and hydraulic tank to power brush
- Lift from mower arms
- Quick change core



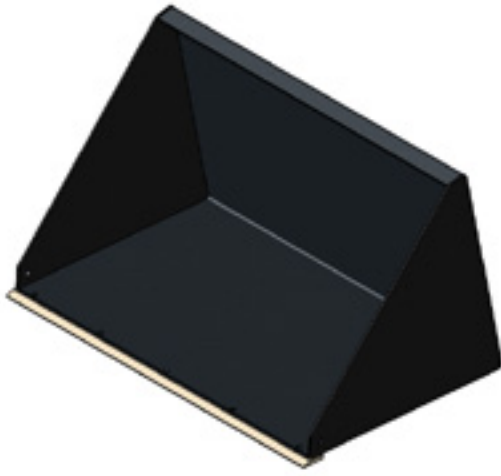
ANGLE BROOM SPECIFICATIONS	42"	48"
A. Overall Height	28.5"	28.5"
B. Overall Width	55.5"	61.5"
C. Overall Length	53"	53"
D. Sweeping Width	42"	48"
E. Overall Length @ 30° Angle	58.5"	60"
F. Overall Width @ 30° Angle	57.5"	63"
G. Sweeping Width @ 30° Angle	36.5"	41.5"
H. Center of Gravity (Horizontal)	26"	27"

ANGLE BROOMS WITH 26" BRUSHES							
STYLE	WIDTH	MOUNT	FLOW	BRISTLE MATERIAL	WEIGHT	ORDER CODE	PRICE
Hydraulic Angle	48"	CII	4 - 8 GPM	Poly-Wire Mix	380 lbs	22647MH-0961*	\$6,255
	48"	CII	6 - 12 GPM	Poly-Wire Mix	380 lbs	22648MH-0961*	\$6,950
Manual Angle	42"	CII	4 - 8 GPM	100% Poly	335 lbs	22641PM-0961	\$6,091
	42"	CII	4 - 8 GPM	Poly-Wire Mix	335 lbs	22641MM-0961	\$6,091
	42"	CII	6 - 12 GPM	Poly-Wire Mix	335 lbs	22642MM-0961	\$6,091
	48"	CII	4 - 8 GPM	Poly-Wire Mix	355 lbs	22647MM-0961	\$6,091
	48"	CII	6 - 12 GPM	100% Poly	355 lbs	22648PM-0961	\$6,091
	48"	Bobcat MT	6 - 12 GPM	Poly-Wire Mix	355 lbs	22648MM-0128	\$6,091

\*Includes independent control box

REPLACEMENT BRUSHES FOR ANGLE BROOMS			
MATERIAL	DESCRIPTION	ORDER CODE	PRICE
Poly-Wire Mix	Set of Brush Sections (Qty 25) for 42" Broom, 26" Diameter	01-5010-25	\$498
Poly-Wire Mix	Set of Brush Sections (Qty 28) for 48" Broom, 26" Diameter	01-1158	\$536
100% Poly Bristles	Set of Brush Sections (Qty 28) for 48" Broom, 26" Diameter	01-0849	\$581

# LIGHT MATERIAL BUCKETS



**LIGHT MATERIAL BUCKETS (INCLUDES COMMON INDUSTRY INTERFACE MOUNT)**

WIDTH	CONFIGURATION	CAPACITY	WEIGHT	ORDER CODE	PRICE
44"	Bolt-On Edge (Optional)	7.5 ft <sup>3</sup>	289 lbs	107783	\$1,226

**EDGES**

DESCRIPTION	ORDER CODE	PRICE
44" Bolt-On Edge Kit	120607	\$189

# DIRT BUCKETS



## DIRT BUCKETS (INCLUDES COMMON INDUSTRY INTERFACE MOUNT)

WIDTH	CONFIGURATION	CAPACITY	WEIGHT	ORDER CODE	PRICE
36"	Bolt-On Edge Optional	4 ft <sup>3</sup>	200 lbs	117506	\$879
	With Teeth	4 ft <sup>3</sup>	244 lbs	119300	\$1,137
42"	Bolt-On Edge Optional	4 ft <sup>3</sup>	220 lbs	2000872	\$879
	With Teeth	4 ft <sup>3</sup>	235 lbs	19405	\$1,221
48"	Bolt-On Edge Optional	6 ft <sup>3</sup>	216 lbs	2000877	\$1,070
	With Teeth	6 ft <sup>3</sup>	283 lbs	104579	\$1,416

## EDGES

DESCRIPTION	ORDER CODE	PRICE
36" Bolt-On Edge Kit	107156	\$158
42" Bolt-On Edge Kit	107157	\$175
48" Bolt-On Edge Kit	107158	\$180

# GRAPPLES

## BRUSH GRAPPLES



### FEATURES

- The brush grapple is ideally suited for moving brush, limbs and branches. The open tine design allows the vegetative material to be moved while allowing soil to drop through and remain behind.

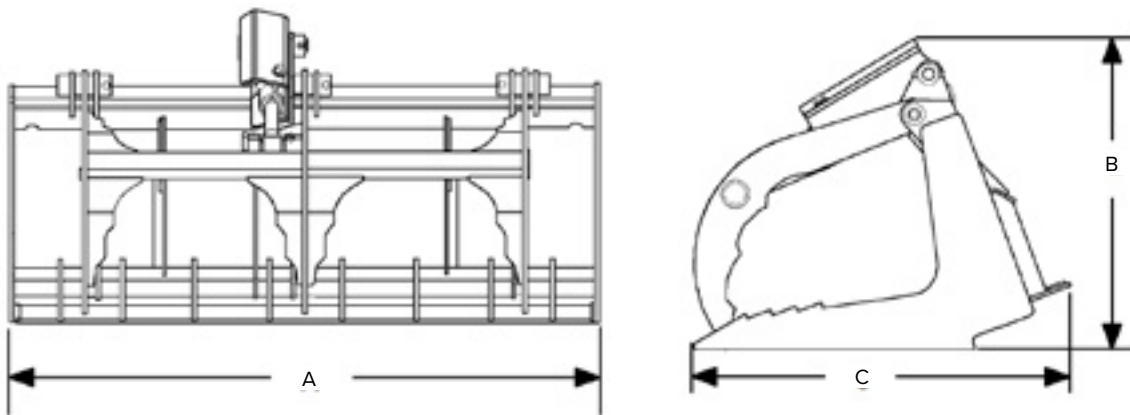
## SCRAP GRAPPLES



### FEATURES

- The solid floor and grapple make it the ideal mini skid steer tool for scrap and yard waste removal and construction sites, especially in tight areas.

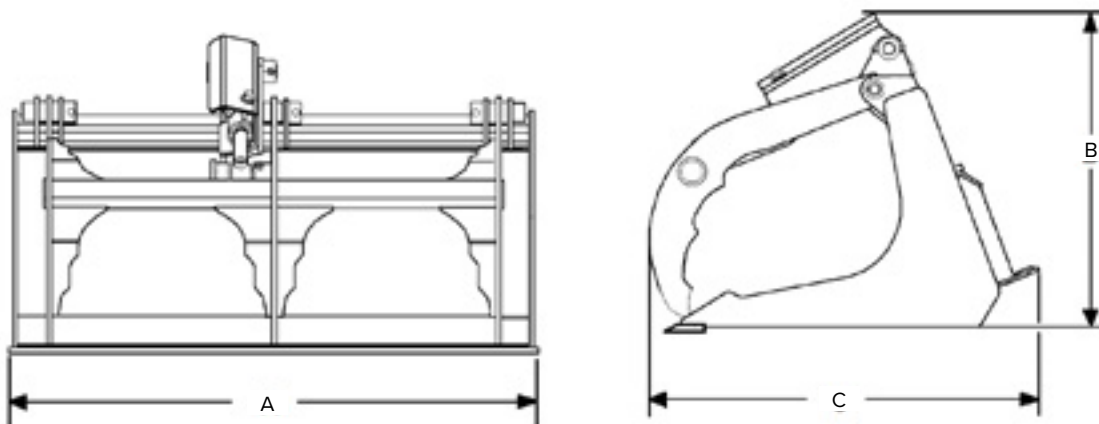
# GRAPPLES SPECIFICATIONS



## BRUSH GRAPPLES (FITS COMMON INDUSTRY INTERFACE MOUNT)

(A) WIDTH	(B) HEIGHT	(C) LENGTH	GRAPPLE OPENING	WEIGHT	ORDER CODE	PRICE
42"	25.5"	31"	29"	270 lbs	107036	\$3,118
48"	25.5"	31"	29"	287 lbs	107037	\$3,183

\*Includes 72" hoses with 1/2" QD's



## SCRAP GRAPPLES (FITS COMMON INDUSTRY INTERFACE MOUNT)

(A) WIDTH	(B) HEIGHT	(C) LENGTH	GRAPPLE OPENING	WEIGHT	ORDER CODE	PRICE
42"	25"	31"	29"	280 lbs	107148	\$2,980

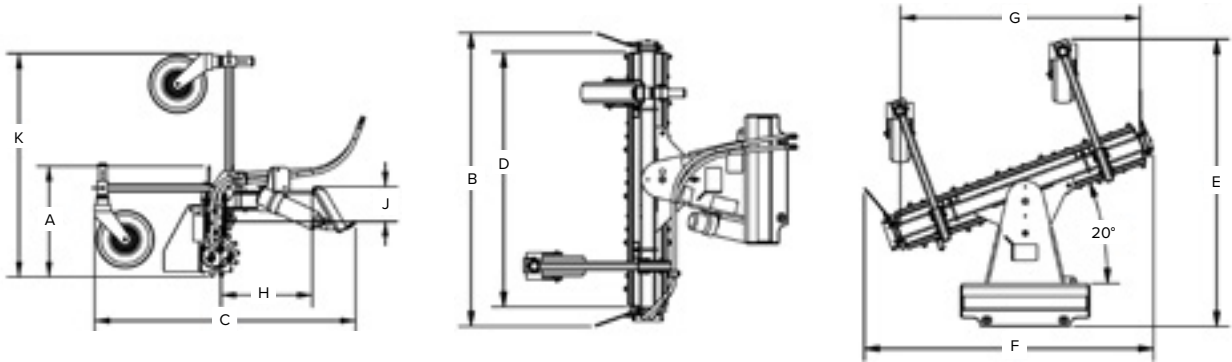
\*Includes 72" hoses with 1/2" QD's

# HARLEY RAKES



## FEATURES

- Direct drive motor is embedded within frame and drum providing optimal protection from dirt and debris.
- Bi-directional motor allows the drum to rotate in either direction maximizing flexibility.
- Adjustable polypropylene barrier above the roller allows you to quickly react to soil moisture conditions. You can choose the size of the material you want to leave in the seedbed. Raising the barrier promotes faster soil drying and opening up of muddy sites.
- Proprietary tooth pattern design. Specially shaped and placed carbide teeth ensure the best possible seedbed sub-base fracture pattern and superior moisture retention and release.
- Easily removable box-end plates for windrowing and reverse box raking...no bolts, just pull the pins.
- Dual independently adjustable gauge wheels allow skim passes for over-seeding - or - adjust to cut drainage grades. Simple height adjustment utilizes bail pins for improved reliability



HARLEY RAKES								
STYLE	MOUNT	(D) RAKING WIDTH	FLOW	WEIGHT	(C) LENGTH	(B) OVERALL WIDTH	ORDER CODE	PRICE
Hydraulic Angle	CII	48"	8-15 GPM	380 lbs	49"	55.5"	22748H-0961**	\$11,387
	Bobcat MT	48"	8-15 GPM	380 lbs	49"	55.5"	22748H-0128**	\$12,220
Manual Angle	CII	48"	8-15 GPM	365 lbs	49"	55.5"	22748M-0961	\$9,307
	Bobcat MT	48"	8-15 GPM	365 lbs	49"	55.5"	22748M-0128	\$9,987

\*Includes hoses with 1/2" QD's

\*\*Includes independent control box

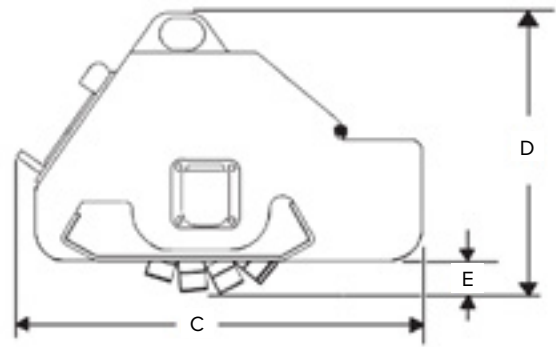
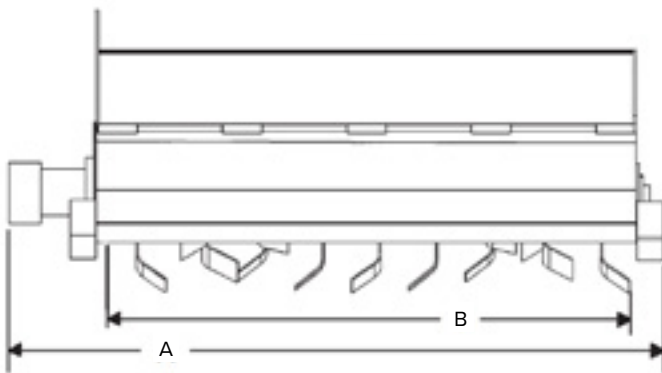
SPECIFICATIONS cont.						
(A) OVERALL HEIGHT	(E) OVERALL LENGTH @ 20°	(F) OVERALL WIDTH @ 20°	(G) RAKING WIDTH @ 20°	(H) CENTER OF GRAVITY - HORIZONTAL	(J) CENTER OF GRAVITY - VERTICAL	(K) OVERALL HEIGHT - CASTER UP
21"	54"	54.5"	45"	17"	6.5"	42"

# TILLERS



## FEATURES

- Breaks up sod and clumps of soil
- Mixes compost and other materials
- Prepares soil for seeding or reseeding; great for small soil stabilization and landscape jobs



### TILLER (FITS COMMON INDUSTRY INTERFACE MOUNT)

FLOW	(B) TILLING WIDTH	(A) OVERALL WIDTH	(C) OVERALL LENGTH	(D) OVERALL HEIGHT	(E) TILLING DEPTH	WEIGHT	MAX PSI	ORDER CODE	PRICE
8 - 15 GPM	40"	51"	32"	22"	4"	335 lbs	3000 PSI	2008000	\$5,264

Includes 66" hoses with 1/2" QD's

# TRENCHERS

## 615 SERIES TRENCHER



### FEATURES

- Fixed length booms available featuring spring-loaded, self adjusting idler with full rock guards
- Allows tight fit with single-side spoil augering
- Replaces dedicated machines at a fraction of the cost

### TRENCHING DRIVES (REQUIRES BOOM, CRUMBER AND CHAIN)

MODEL	MOUNT	FLOW	COUPLER	WEIGHT	ORDER CODE	PRICE
615 Series	CII	6 - 10 GPM	Flat-Face	294 lbs	89952_18392_18558	\$4,908
		10 - 16 GPM	Flat-Face	270 lbs	89952_18393_18558	\$4,908

Includes 56" hoses with 1/2" QD's

### Soil Type 1: General Purpose // Tooth Configuration: "TES" - Cup-Style Tooth at Every Station

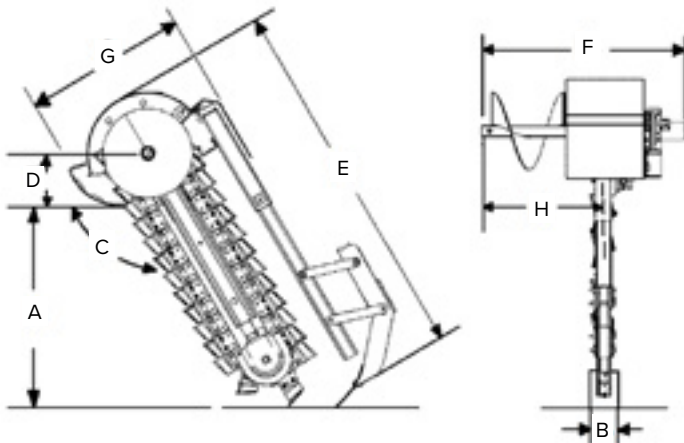
A tooth configuration that is for generally good, normal digging conditions. Light to moderately compacted soils with generally balanced sand and loam content. Also works well in soils with some loose gravel. \*In soils with higher clay content, recommend to remove up to 50% of teeth to reduce sticking and gumming.

### Soil Type 2: Compacted Soils // Tooth Configuration: "70/30" - Combination 70% Shark Teeth, 30% Cup-Style Teeth

Configured for compacted soils, lightly frozen ground, baked hard clay, shale, and rocky soils. Shark teeth provide a cutting action while cup teeth remove debris from the trench.

### BOOM, CRUMBER, CHAIN, AND TOOTH CONFIGURATION

TRENCHING DEPTH	CHAIN WIDTH	TOOTH CONFIGURATION	WEIGHT	ORDER CODES	PRICE
36"	6"	Type 1: General Purpose "TES"	84 lbs	18403_89823	\$2,433
36"	6"	Type 2: Compacted Soils "70/30"	84 lbs	18403_89826	\$2,766



### 615 SERIES TRENCHER SPECIFICATIONS

615 SERIES TRENCHER SPECIFICATIONS	36"
A. 615 Trench Depth w/Auger @ 65° Digging Angle	36"
B. Chain Widths Available	4.5", 6", 8"
C. Recommended Trenching Angle	65°
D. Headshaft Height	10"
E. Overall Trencher Length	65"
F. Overall Trencher Width	42"
G. Overall Trencher Height	28"
H. Spoil Discharge Reach	24"



# PALLET FORKS



## FEATURES

- 42" and 48" tine lengths
- Adjustable tine widths
- Heavy-duty, easy on and off
- Spill guard

### FORK FRAME

DESCRIPTION	WIDTH	WEIGHT	ORDER CODE	PRICE
Standard Brick Guard	40"	80 lbs	108366	\$402

### ITA-MOUNT FORKS

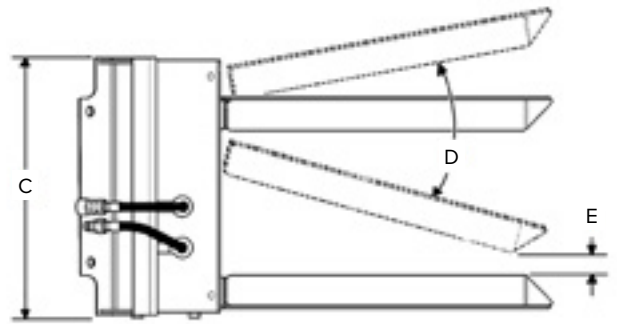
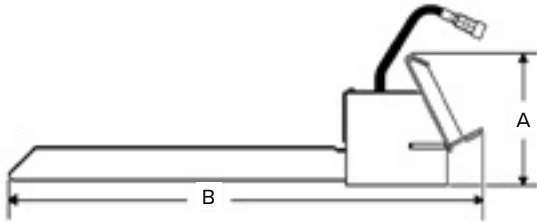
CLASS AND WEIGHT RATING	LENGTH	WEIGHT	ORDER CODE	PRICE
Class II - 2310 LBS	42"	125 lbs	106220	\$412
	48"	138 lbs	106222	\$452

# TREE FORKS



## FEATURES

- 33" length tines
- Up to 27" maximum hydraulic adjustable width
- Hydraulic controlled cylinder



### TREE FORKS

(A) OVERALL HEIGHT	(B) OVERALL LENGTH	(C) OVERALL WIDTH	(D) LEFT FORK MOVEMENT RANGE	(E) DISTANCE BETWEEN FORKS - CLOSED	WEIGHT	ORDER CODE	PRICE
12.5"	47"	25"	38°	4"	145 lbs	2008130	\$1,758

\*Includes hoses with 1/2" QD

**QUALITY YOU CAN COUNT ON.**

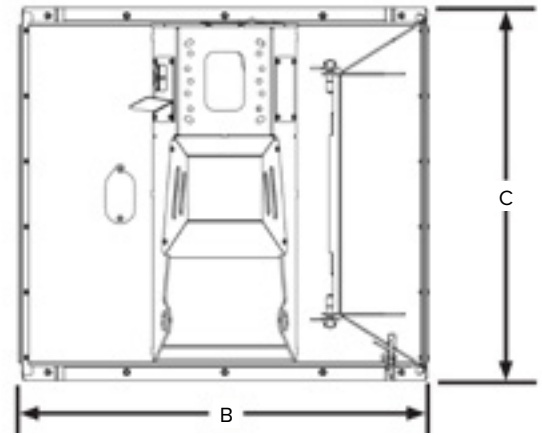
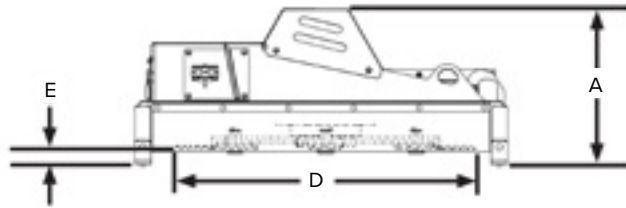


# MX BRUSH CUTTER



## FEATURES

- No-case-drain design and universal bolt-on mounting system means maximum fleet versatility for end-users and rental fleet owners
- Hinged debris shield provides the aggressive, full-depth cutting action of an open-deck design while limiting operator exposure to flying debris
- Patent-pending TiltLatch™ ensures debris shield stays closed with cutter is overhead, ensuring operator safety even in extreme reach situations



MX SERIES BRUSH CUTTER SPECIFICATIONS	40"	50"	60"
A. Overall Height	23"	23"	25.5"
B. Overall Width	53"	62.5"	72.5"
C. Overall Length	47"	57"	67"
D. Cutting Width	40"	50"	60"
E. Minimum Cutting Height (Skid Shoes on Ground)	2"	2"	2"
Machine Tonnage Rating	3mT-6mT	5mT-8mT	7mT-10mT

MX SERIES BRUSH CUTTER (MOUNT SOLD SEPARATELY; HOSES AND MOUNTS NOT INCLUDED)						
WIDTH	FLOW	MAX BRUSH WIDTH	WEIGHT	ADAPTER PATTERN	ORDER CODE	PRICE
40"	13 - 19 GPM	4"	625 lbs	A	125140A-BLNK	\$9,392
	19 - 26 GPM	4"	625 lbs	A	125140B-BLNK	\$9,392
50"	17 - 22 GPM	5"	1030 lbs	B or C	125150A-BLNK	\$12,420
	22 - 34 GPM	5"	1030 lbs	B or C	125150B-BLNK	\$12,420
60"	20 - 28 GPM	6"	1275 lbs	B or C	125160A-BLNK	\$13,885
	28 - 35 GPM	6"	1275 lbs	B or C	125160B-BLNK	\$13,885

CONSUMABLES		
DESCRIPTION	ORDER CODE	PRICES
Replacement Skid Shoe Kit, 40" Model	125178	\$155
Replacement Skid Shoe Kit, 50" Model	125179	\$168
Replacement Skid Shoe Kit, 60" Model	125180	\$212
Replacement Blade Kit, Fits All Models	125090	\$436

FOR ADAPTER INFORMATION, REFER TO THE STRIKEFORCE ADAPTER MATCHING GUIDE

# MX BRUSH CUTTER ADAPTER SELECTION PROCESS

## PART 1: CUTTER SELECTION (use table below)

- STEP 1:** Select machine ton range. (Metric Tons) = (Weight in LBS) / (2,200).
- STEP 2:** Select machine lifting capacity.
- STEP 3:** Select auxiliary hydraulic flow\*. If not specified, use 65% of total machine flow in GPM.
- NOTE: Cutter must always be operated in bidirectional mode, never in hammer/breaker mode.
- STEP 4:** Select desired cut width (multiple options may not always be available)
- Larger = More productive / Can be used on larger, more powerful machines.
  - Smaller = Less expensive / Will likely fit a broader population of machines.
- RESULT:** Take note of the SKU and Adapter Pattern(s); Adapter Pattern is used in Adapter Selection.

CUTTER SELECTION PROCESS					CUTTER SELECTION PROCESS		
STEP 1	STEP 2	STEP 3	STEP 4		MODEL	SKU	ADAPTER PATTERN
MACHINE WEIGHT	LIFT CAPACITY (LBS)	AUX. FLOW* (GPM)	CUTTING WIDTH				
3mT - 6mT	700+	13 - 19	40"	→	BC40MX10	125140A-BLNK	A
		19 - 26			BC40MX20	125140B-BLNK	
5mT - 8mT	1140+	17 - 22	50"	→	BC50MX10	125150A-BLNK	B and C
		22 - 34			BC50MX20	125150B-BLNK	
7mT - 10mT	1440+	20 - 28	60"	→	BC60MX10	125160A-BLNK	B and C
		28 - 35			BC60MX20	125160B-BLNK	

\*Auxiliary flow to cutter, not total machine flow. If not specified, auxiliary flow is ~65% of total machine flow. Cutter must always be operated in bidirectional mode, never in hammer/breaker mode.

## PART 2: ADAPTER SELECTION (use adapter matching guide)

- STEP 1:** Find the machine make/model in the adapter matching guide (use Ctrl F to search PDF).
- STEP 2:** Identify an adapter with a pattern available on the cutter selected (ex: B or C pattern); use a CORE adapter whenever possible (will tend to have best lead times and lowest price):
- A-pattern: 28-11090-\*\*\*\*
  - B-pattern: 28-11091-\*\*\*\*
  - C-pattern: 28-10973-\*\*\*\*
  - D-pattern: 28-11092-\*\*\*\*

## TROUBLESHOOTING AND SPECIAL CASES

SPECIAL CASES	SOLUTION
No direct pattern match, but larger pattern is available (ex: need an A pattern, but only B patterns available)	A. Add a pattern adapter (ex. A-to-B adapter) B. Add hardware kit for larger pattern (ex. B hardware kit)
No adapters listed, or machine make/model not listed.	Submit estimate request through Inside Sales.
Two motor sizes available (ex: BC**MX10 and BC**MX20)	Customer preference, based on application needs: A. Use lower flow range for grass (higher tip speed). B. Use higher flow range for brush (more power).
Two cutter widths available (ex: BC40MX** or BC50MX**)	Customer preference based on several considerations: A. Brush size capability (40" = 4" brush, 50" = 5", 60" = 6") B. Maneuverability (Lower weight = More maneuverable) C. Other machines in customer's fleet D. Price

# AUGER DRIVES

## 75D SERIES AUGER DRIVES



### FEATURES

- All 75 Series hydraulic motors drive the auger through a sealed planetary gear reduction
- The heavy-duty, all-gear design gives these units a long life with minimal maintenance and service costs
- 75 Series drive units are completely sealed, with all moving components running in oil for total lubrication on a constant basis
- All models feature reverse rotation for quick backout when obstructions are encountered
- The system's hydraulic relief valve protects the units from damage when the auger hits large, immovable objects

### AUGER DRIVES (MOUNT SOLD SEPARATELY; HOSES AND MOUNTS NOT INCLUDED)

SERIES	FLOW	HUB SHAPE	WEIGHT	ORDER CODE	PRICE
X975D	6 - 15 GPM	2" Hex	148 lbs	124720	\$2,754
X1475D	10 - 25 GPM	2" Hex	150 lbs	23537	\$2,445
X1975D	15 - 30 GPM	2" Hex	152 lbs	23540	\$2,792
X2475D	20 - 35 GPM	2" Hex	154 lbs	124792	\$3,188

### AUGER EXCAVATOR MOUNTS

DESCRIPTION	ORDER CODE	PRICE
CP-027 Mount, Cradle-Ready	23362	\$967
CP-030 Mount, Cradle-Ready	23435	\$2,190
Kubota Wedge-Style Coupler with 6.725" Ear Spacing, Cradle Not Available	24749	\$869
Kubota Wedge-Style Coupler with 8.75" Ear Spacing, Cradle-Ready	24282	\$869
Kubota Wedge-Style Coupler with 9.12" Ear Spacing, Cradle-Ready	116003	\$770
Kubota Wedge-Style Coupler with 9.125" Ear Spacing, Cradle Not Available	24450	\$869
Kubota Wedge-Style Coupler with 12.21" Ear Spacing, Cradle-Ready	113464	\$1,022
John Deere Wedge-Style Coupler with 8" Ear Spacing, Cradle Not Available	24008	\$695
John Deere Wedge-Style Coupler with 9" Ear Spacing, Includes Cradle	19296	\$938
Case 580/590 Pendulum Style 1.75x10.13	21279	\$728
Pin-Grabber Style Coupler with 35x5.50x8.39mm, Cradle Not Available	24403	\$933
Pin-Grabber Style Coupler with 40x5.37x7.84mm, Cradle-Ready	110770	\$1,552
Pin-Grabber Style Coupler with 45x6.50x10.63mm Cradle Not Available	24460	\$1,088
Pin-Grabber Style Coupler with 45x6.75x11.22mm, Cradle-Ready	123232	\$1,114
Pin-Grabber Style Coupler with 45x6.25x10.24mm, Cradle-Ready	117789	\$1,034
Pin-Grabber Style Coupler with 50x8.00x12.2mm Cradle Not Available	24837	\$1,228
Weld-On Universal Plate - No Cradle	24462	\$332
Bolt-On for Front-End-Loader or Bucket Lip	21235	\$377
SSL Mount Offset, Cradle-Ready	24777	\$549
SSL Mount with Cradle	113026	\$607

# AUGER DRIVES SPECIFICATIONS

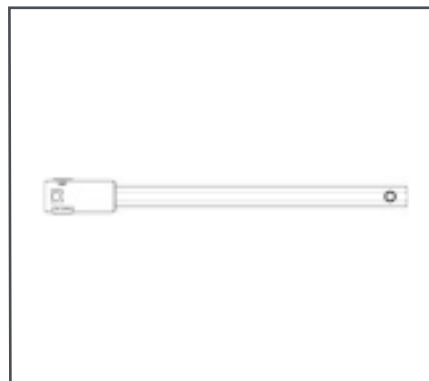
OUTPUT SPEED			
SERIES	FLOW		SPEED
X975D	6 GPM	23 LPM	38 RPM
	8 GPM	30 LPM	50 RPM
	10 GPM	38 LPM	63 RPM
	12 GPM	45 LPM	75 RPM
	15 GPM	57 LPM	94 RPM
X1475D	10 GPM	38 LPM	40 RPM
	12 GPM	45 LPM	49 RPM
	14 GPM	53 LPM	57 RPM
	15 GPM	61 LPM	61 RPM
	20 GPM	76 LPM	79 RPM
X1975D	25 GPM	95 LPM	104 RPM
	15 GPM	57 LPM	53 RPM
	18 GPM	68 LPM	63 RPM
	20 GPM	76 LPM	70 RPM
	24 GPM	91 LPM	84 RPM
X2475D	28 GPM	106 LPM	98 RPM
	30 GPM	114 LPM	106 RPM
	20 GPM	76 LPM	56 RPM
	22 GPM	83 LPM	61 RPM
	24 GPM	91 LPM	67 RPM
X2475D	26 GPM	98 LPM	73 RPM
	28 GPM	106 LPM	78 RPM
	30 GPM	114 LPM	84 RPM
	35 GPM	132 LPM	98 RPM

OUTPUT TORQUE				
SERIES	PRESSURE		TORQUE	
X975D	2000 PSI	141 BAR	1000 ft. lbs.	1356 N. m.
	2500 PSI	176 BAR	1277 ft. lbs.	1731 N. m.
	3000 PSI	211 BAR	1500 ft. lbs.	2034 N. m.
	3500 PSI	241 BAR	1713 ft. lbs.	2330 N. m.
	2000 PSI	138 BAR	1600 ft. lbs.	2169 N. m.
X1475D	2500 PSI	172 BAR	2000 ft. lbs.	2712 N. m.
	3000 PSI	207 BAR	2377 ft. lbs.	3223 N. m.
	3500 PSI	241 BAR	2630 ft. lbs.	3577 N. m.
X1975D	2000 PSI	138 BAR	1856 ft. lbs.	2516 N. m.
	2500 PSI	172 BAR	2328 ft. lbs.	3156 N. m.
	3000 PSI	207 BAR	2769 ft. lbs.	3754 N. m.
	3500 PSI	241 BAR	3044 ft. lbs.	4140 N. m.
X2475D	2000 PSI	138 BAR	2308 lb. ft.	3129 N. m.
	2500 PSI	172 BAR	2895 lb. ft.	3925 N. m.
	3000 PSI	207 BAR	3451 lb. ft.	4686 N. m.
	3500 PSI	241 BAR	3821 ft. lbs.	5196 N. m.

See page 28 for Flights



See page 30 for Extensions, Teeth and Components

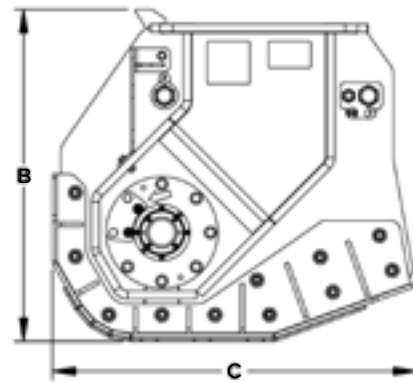
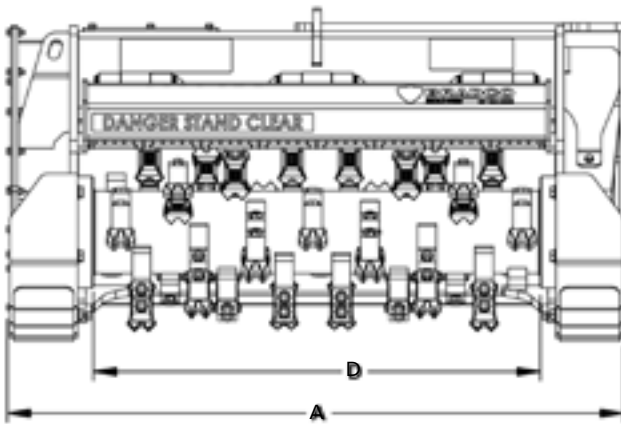


# MULCHERS - DRUM STYLE



## FEATURES

- Shreds up to 8" diameter hardwood trees
- Patented tooth design and easily interchangeable tooth design options
- Replaceable abrasion resistant AR400 wear plate on skid shoes
- Deflector door standard to control particle size and discharge direction
- Reversible teeth double the useful life vs. single-edge styles



DRUM STYLE MULCHER SPECIFICATIONS	MM36E	MM421E	MM422E
A. Overall Width	48.5"	58"	58.5"
B. Overall Height	25"	32"	33"
C. Overall Length	33"	34"	35"
D. Cutting Width	36"	42"	42"



# MULCHERS - DRUM STYLE SPECIFICATIONS

DRUM STYLE MULCHER (REQUIRES MOUNT AND TEETH)*							
WIDTH	RATING	MODEL	WEIGHT	FLOW RANGE	OPERATING PRESSURE	ORDER CODE	PRICE
36"	8-16mT	MM36E	1580 lbs	28 - 41 GPM	3500 - 5000 PSI	115620	\$28,590
		MM36E	1600 lbs	42 - 60 GPM	3500 - 5000 PSI	115621	\$30,028
42"	14-21mT	MM421E	2505 lbs	29 - 39 GPM	4500 - 5800 PSI	31442-0000	\$43,544
		MM421E	2505 lbs	39 - 49 GPM	4500 - 5800 PSI	31542-0000	\$46,730
	20-30mT	MM422E	2920 lbs	40 - 52 GPM	4500 - 5800 PSI	30742-0000	\$50,538

\*Hoses and QD's not included

MULCHER EXCAVATOR MOUNTS		
DESCRIPTION	ORDER CODE	PRICE
MM36, Case CX80	114521	\$1,017
MM36, Case CX160	114304	\$2,033
MM36, Cat 315D	114992	\$2,159
MM36, Hyundai HW140	125098	\$1,590
MM36, Kobelco SK135SR / SK140SR-5	115517	\$1,338
MM36, Kubota KX080	113468	\$1,090
MM36, Link-Belt 135 MSR / Case CX130 / CX135 / CX145	114290	\$2,054
MM36, Takeuchi TB1140-2150 / John Deere 120CLC	113997	\$2,033
MM36, Volvo EC150	114567	\$1,017
MM36, Volvo EC160 S1	120565	\$4,040
MM421, Case 160-160D / JCB 160-190 / Link-Belt 160LX-160X4	121794-9020	\$2,304
MM421, Deere 160-160G / Hitachi EX160LC5, ZX160LC-ZX160LC5	121794-7150	\$2,304
MM421, Deere 180C-180G, 190D-190G, 200-200D	121794-7201	\$2,304
MM421, Hitachi ZX180LC5-180W, ZX190W3, EX200LC-200LC3, ZX210LC5-210W	121794-7201	\$2,304
MM421, Deere 230-230C, 240D, 250G / Hitachi EX220LC3-230LC5, ZX230-ZX250LC5	121794-7230	\$2,304
MM422, Cat 320-320F, 321C-321D, M322C-M322D, 323D-323F (must have B Linkage, all models)	121795-0320	\$2,304
MM422, Deere 200-200D, 210C-210G, 220D, 225D, 245G	121795-7201	\$2,389
MM422, Hitachi ZX190W3, EX200LC-200LC5, ZX200LC-200LC3, ZX210LC5, ZX210W, ZX220W3, ZX225USLC-ZX225USLC3, ZX245USLC5	121795-7201	\$2,389
MM422, Deere 230-300 / Hitachi 220-290	121795-7230	\$2,304
MM422, Volvo 290-300	121795-5280	\$2,304
TMB, Case CX145D	124983	\$2,232

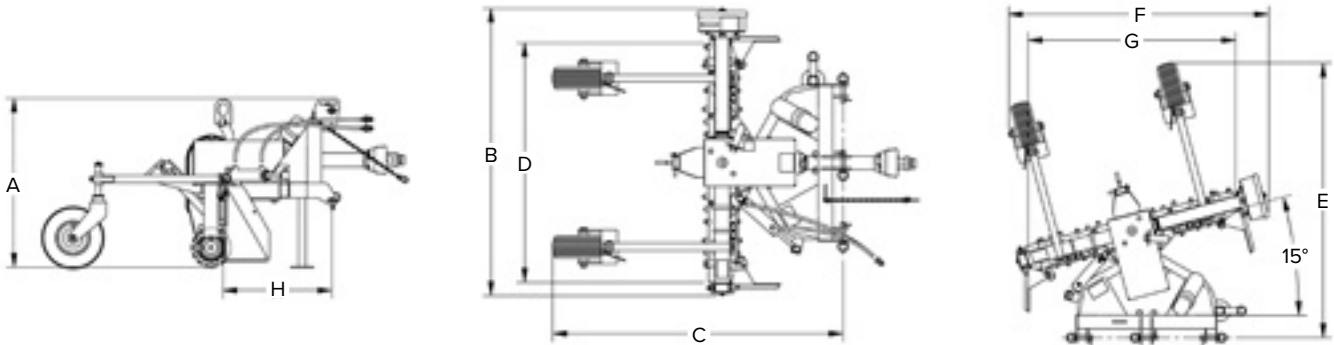
REQUIRED TOOTH KITS / REPLACEMENT TOOTH KITS			
STYLE	COMPATIBILITY	ORDER CODE	PRICE
Reversible Claw Teeth Kit	MM36E	116089	\$1,820
	MM421E / MM422E	120052	\$1,953
Reversible Carbide Hammer Kit	MM36E	116088	\$4,652
	MM421E / MM422E	120051	\$5,367

# HARLEY RAKES



## FEATURES

- Grease-able, triple-sealed and shielded bearings for extra protection and long life
- Harley's well designed frame geometry offers excellent visibility of your work surface
- Dual independently adjustable gauge wheels allow for skim passes for over seeding - or - adjust to cut drainage grades
- Angling capability powered by the tractor hydraulics, allowing the operator to angle right or left for directing material
- Unique Tractor Mount Compensation Slot for attachment of the three point arm, fixed or floating, depending upon job site requirements.
- The Roll Back Barrier's Aperture Control gives the operator 5 separate control options over how the material is handled by the roller and teeth



HARLEY RAKES							
STYLE	(D) RAKING WIDTH	3PT ATTACHMENT	HORSEPOWER (HP) RANGE	WEIGHT	(C) LENGTH	ORDER CODE	PRICE
Hydraulic Angle*	60"	Cat. I	18 - 32	560 lbs	58"	TM5H-0052	\$12,825
	72"	Cat. I	30 - 40	865 lbs	63.5"	T6H-0052	\$14,334
	84"	Cat. I-II	42 - 80	1290 lbs	69"	TM7H-0052	\$15,931
	90"	Cat. I-II	42 - 80	1345 lbs	69"	TM8H-0052	\$16,594
Manual Angle**	60"	Cat. I	18 - 32	555 lbs	58"	TM5M-0052	\$11,422
	72"	Cat. I	30 - 40	865 lbs	63.5"	T6M-0052	\$12,775

\*Includes hoses with 1/2" Poppet Couplers  
 \*\*Manual Angle Rakes do not include hoses.

SPECIFICATIONS cont.						
STYLE	(A) OVERALL HEIGHT	(B) OVERALL WIDTH	(E) OVERALL LENGTH @ 15°	(F) OVERALL WIDTH @ 15°	(G) RAKING WIDTH @ 15°	(H) CENTER OF GRAVITY - HORIZONTAL
Hydraulic Angle	34"	69.5"	62.5"	68.5"	58"	22"
	40"	82.5"	68.5"	80.5"	69.5"	25.5"
	44"	94.5"	75"	92"	81"	27"
	44"	100.5"	76"	98"	87"	27"
Manual Angle	34"	69.5"	62.5"	68.5"	58"	22"
	10"	82.5"	68.5"	80.5"	69.5"	25.5"

# 4-IN-1 MULTI-PURPOSE BUCKETS

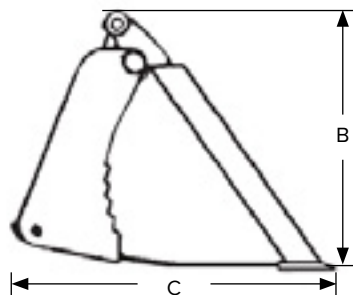
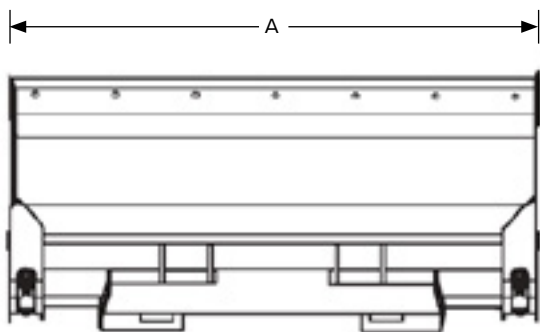
## HEAVY DUTY



Shown with mount for Zettelmeyer 602

### FEATURES

- Ideal for site clean up, grading, scraping, grappling, dozing and brush removal
- Single bevel bolt on dozer edge, double bevel bolt on clam edges, front and back
- Double .25" plate steel clamshell reinforced with .75" x 6" cutting edge front, .50" x 6" back and .50" wearbars; Wear resistant Pacal steel tapered cutting edge: .75" x 6"; Wear resistant Pacal steel tapered dozer edge; End plates: .375" with mounting brackets.



### 4-IN-1 MULTI-PURPOSE BUCKETS (INCLUDES QCP-7000 HITCH - HOSES NOT INCLUDED)

DUTY CLASS	(A)WIDTH	WEIGHT	(B) HEIGHT	(C) DEPTH	HEAPED CAPACITY	ORDER CODE	PRICE
Heavy Duty	82"	1100 lbs	36.5"	35"	1 yd	LAF3182-0733	\$9,129
	90"	1275 lbs	36.5"	35"	1.1 yd	LAF3190-0733	\$9,227
	96"	1450 lbs	36.5"	35"	1.2 yd	LAF3196-0733	\$10,055

### EDGES

DESCRIPTION	WEIGHT	ORDER CODE	PRICE
82" Bolt-On Edge Kit (9 holes @ 9.75")	136 lbs	15029	\$663
90" Bolt-On Edge Kit (10 holes @ 9")	150 lbs	113991	\$771
96" Bolt-On Edge Kit (9 holes @ 10.82")	160 lbs	11002	\$800

### HOSES (1/2" QD)

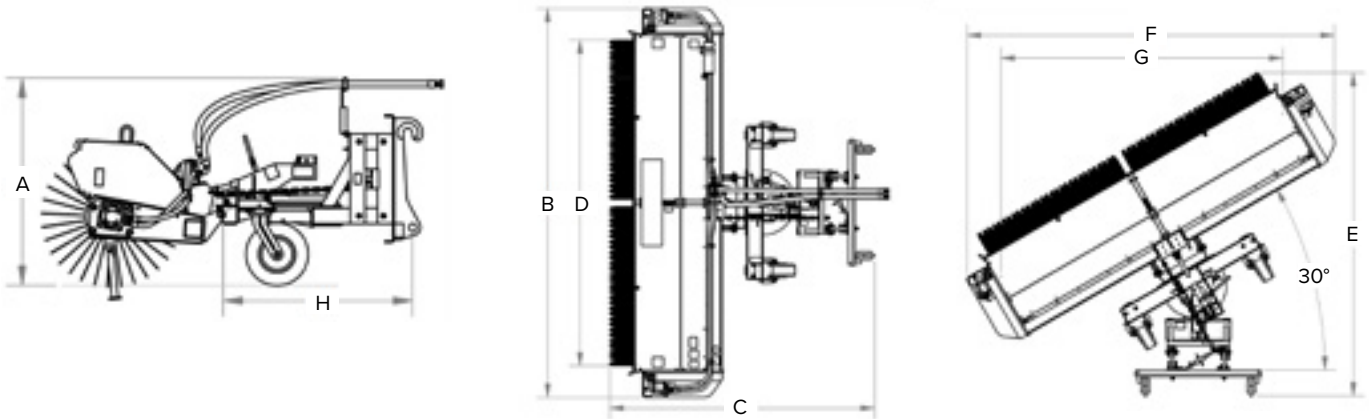
HOSE LENGTH	ORDER CODE	PRICE
66"	103577	\$278
75"	105845	\$335
94"	103603	\$355

# WHEEL LOADER ANGLE BROOMS (WLA)



## FEATURES

- Dual-motor design for high torque
- Quick-change brush without breaking hydraulic lines
- Third valve required to operate; fourth valve required to operate optional hydraulic angle change
- Parallel linkage allows sweeper to follow ground contours
- Manual angle 30 degrees left/right is standard
- Choose poly, wire, or poly/wire brush



WLA ANGLE BROOM SPECIFICATIONS	96"	108"	120"	144"
A. Overall Height	44"	44"	53"	53"
B. Overall Width	116"	127.5"	144"	168"
C. Overall Length	87.5"	87.5"	98"	98"
D. Sweeping Width	96"	108"	120"	144"
E. Overall Length @ 30° Angle	104.5"	107.5"	119.5"	125.5"
F. Overall Width @ 30° Angle	108.5"	119"	136"	157"
G. Sweeping Width @ 30° Angle	83"	93.5"	104"	129"
H. Center of Gravity - Horizontal	39"	40"	48.5"	50"
Maximum Pressure	3000 PSI	3000 PSI	3000 PSI	3000 PSI

# WHEEL LOADER ANGLE BROOMS SPECIFICATIONS

WLA ANGLE BROOMS (REQUIRES MOUNT)						
STYLE	WIDTH	FLOW	BRISTLE MATERIAL	WEIGHT	ORDER CODE	PRICE
Manual Angle	96"	20 - 36 GPM	32" Poly-Wire Mix	1400 lbs	22197MM	\$18,784
	108"	20 - 36 GPM	32" Poly-Wire Mix	1450 lbs	22109MM	\$19,874
Hydraulic Angle (12V Manifold)	96"	20 - 36 GPM	32" Poly-Wire Mix	1440 lbs	22197MH	\$19,692
	108"	20 - 36 GPM	32" Poly-Wire Mix	1490 lbs	22109MH	\$20,737
	120"	18 - 45 GPM	36" Poly-Wire Mix	2240 lbs	21320MH	\$23,539
	120"	24 - 60 GPM	36" Poly-Wire Mix	2240 lbs	21321MH	\$23,539
	144"	24 - 60 GPM	36" Poly-Wire Mix	2365 lbs	21345MH	\$25,362
Hydraulic Angle (24V Manifold)	96"	20 - 36 GPM	32" Poly-Wire Mix	1440 lbs	22197MH2	\$19,692
	108"	20 - 36 GPM	32" Poly-Wire Mix	1490 lbs	22109MH2	\$20,737
	120"	18 - 45 GPM	36" Poly-Wire Mix	2240 lbs	21320MH2	\$28,069
	120"	24 - 60 GPM	36" Poly-Wire Mix	2240 lbs	21321MH2	\$28,069
	144"	24 - 60 GPM	36" Poly-Wire Mix	2365 lbs	21345MH2	\$30,435

96" and 108" models include 91" hoses without QD's  
120" and 144" models include 120" hoses without QD's

WLA ANGLE BROOM MOUNTS		
DESCRIPTION	ORDER CODE	PRICE
CAT IT	LAF1661-0134	\$1,593
CAT Fusion	LAF1661-0217	\$6,238
CAT 908HC	LAF1661-0984	\$1,934
JRB 416	LAF1661-0913	\$1,592
JRB 418	LAF1661-0971	\$1,763
JRB E-Series	LAF1661-0869	\$2,072
JCB 411	LAF1661-0028	\$2,108
L90E / ISO	LAF1661-0934	\$1,476
Manitou	LAF1661-0620	\$1,679
QCP-7000	LAF1661-0733	\$1,490
WA200-5	LAF1661-0434	\$3,849
Zettelmeyer 602	LAF1661-0906	\$1,414
Category II & III (3-Point)	13-19706-0790	\$3,013

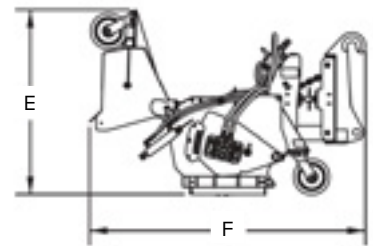
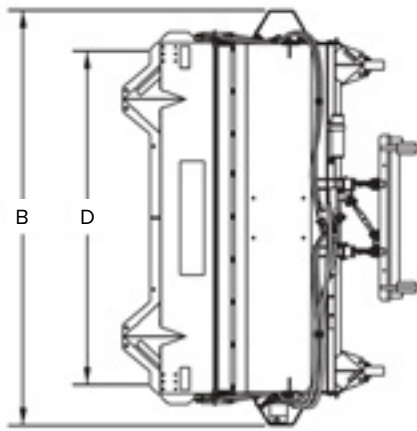
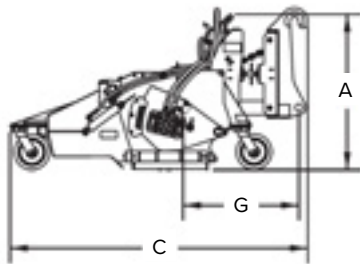
REPLACEMENT BRUSHES FOR ANGLE BROOMS			
MATERIAL	DESCRIPTION	ORDER CODE	PRICE
Poly-Wire Mix	Set of Brush Sections for 96" Broom (Qty 47), 32" Diameter	01-0933	\$951
Poly-Wire Mix	Set of Brush Sections for 108" Broom (Qty 53), 32" Diameter	01-1148	\$1,060
Poly-Wire Mix	Set of Brush Sections for 120" Broom (Qty 54 Mixed + Qty 4 Poly), 36" Diameter	01-1211-10	\$1,421
Poly-Wire Mix	Set of Brush Sections for 144" Broom (Qty 66 Mixed + Qty 4 Poly), 36" Diameter	01-1211-12	\$1,638
100% Poly Bristles	Set of Brush Sections for 96" Broom (Qty 47), 32" Diameter	01-0080C	\$939
100% Poly Bristles	Set of Brush Sections for 108" Broom (Qty 53), 32" Diameter	01-1210-9	\$996
100% Poly Bristles	Set of Brush Sections for 120" Broom (Qty 58), 36" Diameter	01-1212-10	\$1,147
100% Poly Bristles	Set of Brush Sections for 144" Broom (Qty 71), 36" Diameter	01-1212-12	\$1,689

# PICKUP BROOMS (CS)



## FEATURES

- Heavy duty cleanup, millings, snow removal
- High dump feature activated by reversing flow
- Hopper positioned in front
- Powered from loader hydraulics
- Quick change core



CS PICKUP BROOM SPECIFICATIONS	CS26		CS32	
	7 FT	8 FT	8 FT	9 FT
A. Overall Height	44"	44"	40"	40"
B. Overall Width	105"	117"	117"	129"
C. Overall Length	83.5"	83.5"	80.5"	80.5"
D. Sweeping Width	84"	96"	96"	108"
E. Overall Height - Open	52"	52"	59"	59"
F. Overall Length - Open	77.5"	77.5"	79.5"	79.5"
G. Center of Gravity - Horizontal	32"	32.5"	32.5"	33"

# PICKUP BROOMS (CS) SPECIFICATIONS

PICKUP BROOMS ("CS BROOMS")(REQUIRES MOUNT)						
FLOW	WIDTH	BRUSH DIAMETER	HOPPER CAPACITY	WEIGHT	ORDER CODE	PRICE
15 - 25 GPM	84"	26"	0.5 yds	1268 lbs	20384M	\$16,455
	96"	26"	0.6 yds	1318 lbs	20396M	\$17,894
26 - 50 GPM	84"	26"	0.5 yds	1288 lbs	20385M	\$16,982
	96"	26"	0.6 yds	1338 lbs	20397M	\$19,426
	96"	32"	0.9 yds	1288 lbs	20497M	\$25,328
	108"	32"	1.0 yds	1338 lbs	20409M	\$28,130

PICKUP BROOM MOUNTS		
DESCRIPTION	ORDER CODE	PRICE
CAT IT	-0134	Included
CAT Fusion	-0217	Included
CAT 908HC	-0984	Included
JRB 416	-0913	Included
JRB 418	-0971	Included
JRB E-Series	-0869	Included
JCB 411	-0028	Included
L90E / ISO	-0934	Included
Manitou	-0620	Included
QCP-7000	-0733	Included
WA200-5	-0434	Included
Zettelmeyer 602	-0906	Included

REPLACEMENT BRUSHES FOR PICKUP BROOMS			
MATERIAL	DESCRIPTION	ORDER CODE	PRICE
Poly-Wire Mix	Set of Brush Sections for 84" Broom (Qty 49), 26" Diameter	01-1169	\$874
Poly-Wire Mix	Set of Brush Sections for 96" Broom (Qty 53), 26" Diameter	01-9321	\$981
Poly-Wire Mix	Set of Brush Sections for 96" Broom (Qty 47), 32" Diameter	01-0933	\$951
Poly-Wire Mix	Set of Brush Sections for 108" Broom (Qty 53), 32" Diameter	01-1148	\$1,060
100% Poly Bristles	Set of Brush Sections for 84" Broom (Qty 49), 26" Diameter	01-1163	\$731
100% Poly Bristles	Set of Brush Sections for 96" Broom (Qty 53), 26" Diameter	01-9322	\$774
100% Poly Bristles	Set of Brush Sections for 96" Broom (Qty 47), 32" Diameter	01-0080C	\$939

OPTIONAL GUTTER BROOM KIT FOR PICKUP BROOMS			
MATERIAL	ASSEMBLY	ORDER CODE	PRICE
100% Poly	Single	28-10118	\$3,587
100% Poly	Dual	28-10120	\$7,176
100% Wire	Single	28-10117	\$3,587
100% Wire	Dual	28-10119	\$7,127

25 GALLON SPRINKLER KITS FOR PICKUP BROOMS			
TYPE	MACHINE ELECTRICAL	ORDER CODE	PRICE
Field-Install Kit	12v	28-9139	\$1,896
Field-Install Kit	24v	28-9193	\$1,896

# INTRODUCTION

Paladin Attachments Division of Bradco, FFC Harley, McMillen & Sweepster are synonymously used throughout this manual and in reference to Company policy. When Palain Attachments is used, it is reference to the specific product of that Division.

Our equipment is warranted to be free of defects in material and/or workmanship. If a defect should exist, repair or replacement of the defective part(s) by that division to the authorized servicing agent are provided for as set forth herein. Warranty begins on the date the product is purchased by the original purchaser, first lease and/or rental of unit, or 6 months after invoiced ship date if no registration has been submitted. Once the warranty period has begun it cannot be stopped or interrupted for any reason, and all warranties are non-transferable. If leased or rented by rental yard first, then sold warranty will not transfer, warranty ends at that point.

It is important to remember that the final decision to accept or reject a warranty claim is based upon the information presented for each situation. To receive proper credit consideration, please include complete details on all defects and the procedures required to correct. Although details may seem obvious to the person preparing the claim, the manufacturer doesn't have this same first-hand information. Photographs and detailed information are a tremendous help in getting your warranty claims handled expeditiously. Additional correspondence to obtain more information only delays settlement.

# IMPROVEMENTS

Paladin attachments is continually attempting to make product improvements. It reserves the right to make changes or additions to any product without incurring any obligation whatsoever to make such changes or additions to products previously sold.

# LIMITED WARRANTY POLICY

Subject to the terms and conditions set forth in this Limited Warranty (this "Warranty"), this Warranty covers all new products identified in the chart included in the Addendum attached to this Warranty (the "Addendum") that are manufactured and sold by Paladin Attachments, including parts thereof (such products and parts collectively defined as "Covered Products") that are defective in material and/or workmanship during the applicable warranty period (as specified in the chart below). This Warranty does not cover any merchandise or components of a Covered Product that, in the opinion of Paladin Attachments ("Paladin"), have been subject to misuse, modifications or alterations not specifically authorized by Paladin, or any damage due to an accident or any repair to the Covered Product that has not been made with parts obtained from Paladin.

The terms and conditions of this Warranty shall include all of the terms and conditions set forth in this Warranty, including, without limitation, the "Dealer Responsibilities" and "Owner Responsibilities" set forth below, the Addendum attached to this Warranty, and adherence to the instructions set forth in the operator's manual for the Covered Product.

Subject to the terms and conditions set forth in this Warranty, in the event of an occurrence of a defect in material and/or workmanship in a Covered Product during the applicable warranty period (each such occurrence, a "Warranty Event"), such Covered Product (or part thereof) will be repaired or replaced at Paladin's option. Upon Paladin's request, the defective Covered Product (or part thereof) shall be returned PRE-PAID to Paladin for inspection at the location specified by Paladin. Any claim of a Warranty Event (a "Warranty Claim") must be submitted in accordance with the procedures set forth in this Warranty—otherwise, the Warranty Claim will be denied by Paladin.

**THIS WARRANTY IS IN LIEU OF ALL OTHER WARRANTIES, EXPRESSED OR IMPLIED, AND THERE ARE NO WARRANTIES OF MERCHANTABILITY OR OF FITNESS FOR A PARTICULAR PURPOSE. IN NO EVENT SHALL PALADIN BE LIABLE FOR ANY CONSEQUENTIAL OR SPECIAL DAMAGES.**

PALADIN'S LIABILITY FOR ANY AND ALL LOSSES AND DAMAGES INCURRED AS A RESULT OF ANY CAUSE WHATSOEVER, INCLUDING NEGLIGENCE, IRRESPECTIVE OF WHETHER SUCH DEFECTS ARE DISCOVERABLE OR LATENT, SHALL IN NO EVENT EXCEED THE PURCHASE PRICE OF THE PARTICULAR COVERED PRODUCT WITH RESPECT TO WHICH LOSSES OR DAMAGES ARE CLAIMED, OR, AT THE ELECTION OF PALADIN, THE REPAIR OR REPLACEMENT OF THE COVERED PRODUCT.

## LIMITATION OF LIABILITY:

The liability of Paladin for any and all losses and damages incurred as a result of a Warranty Event or any other cause whatsoever, including the negligence of Paladin, irrespective of whether a defect is or was discoverable or latent, shall in no event exceed the purchase price of the Covered Product with respect to which such losses or damages are claimed. Under no circumstances will Paladin be liable to any person or entity for any loss arising out of or caused by delay in delivery. Any remedy for the breach of any obligation arising from or relating to the sale of the Covered Products or arising out of the purchase or sale of the Covered Products, whether derived from warranty or otherwise, shall be limited to the remedies expressly specified in this Warranty. ANY LIABILITY FOR ANY OTHER DAMAGE OR LOSS, INCLUDING, WITHOUT LIMITATION, ANY LOST PROFITS, LOST SALES, LOSS OF FUEL OR OTHER PRODUCTS, LOSS OF USE OF EQUIPMENT, COSTS OF BUSINESS INTERRUPTION OR DOWN TIME, LOSS OF BUSINESS OPPORTUNITY, CAPITAL COSTS, COST OF SUBSTITUTE EQUIPMENT, FACILITIES OR SERVICE, COSTS OF ENVIRONMENTAL REMEDIATION, DIMINUTION IN PROPERTY VALUE, OR ANY OTHER SPECIAL, INCIDENTAL OR CONSEQUENTIAL DAMAGES OR ANY TYPE OR NATURE, IS HEREBY DISCLAIMED AND EXCLUDED.



# WARRANTY CLAIM PROCEDURES

To be eligible to submit a Warranty Claim for any products, parts or labor, the Warranty Registration for the Covered Product must be completed and returned to Paladin. Note: The Warranty Registration is issued with each new Covered Product and can also be found on Paladin's website ([www.paladinattachments.com](http://www.paladinattachments.com)). Any questions or requests for assistance in completing the Warranty Registration must be directed to Paladin's Technical Service Department.

To be eligible for reimbursement for any products, parts or labor, a completed Warranty Claim must be submitted in accordance with each of the following procedures—otherwise, the Warranty Claim will be denied: Warranty Claim forms may be obtained from Paladin's website or by contacting Paladin's Technical Service Department.

The Warranty Claim must be submitted by the dealer within 30 days from date of repair upon receipt of replacement components.

Before any repairs are made to a Covered Product, the dealer must obtain a Warranty Authorization Number from Paladin's Technical Service Department.

## WARRANTY CLAIMS MUST CONTAIN THE FOLLOWING INFORMATION:

- Covered Product serial number.
- Model and description of the Covered Product.
- Machine serial number.
- Description of the machine.
- Date Warranty Claim is prepared.
- Covered Product in service date.
- Date of failure.
- Hours of use on the Covered Product (often the same as machine hour meter).
- Dealer claim number.
- An accurate accounting of the failure or non-conformance. Photographs are helpful in investigating the failure and help expedite your claim.
- Documentation to support the Warranty Claim.
- A listing of parts used in the repair (please note that parts not purchased from Paladin are not covered by this Warranty).
- Date of repair and name of Paladin Technical Support personnel who authorized the repair.

Any Warranty Claims approved by Paladin may be reversed by Paladin at any time in the event Paladin discovers that any terms or conditions of this Warranty were not properly applied.

# MATERIAL AND LABOR REIMBURSEMENT

To be eligible for reimbursement for any products, parts or labor under this Warranty, dealers shall adhere to all of the following terms and conditions.

## MATERIAL REIMBURSEMENT

Service parts will only be reimbursed at dealer net cost. A copy of the parts invoice must accompany the Warranty Claim if parts are purchased for repairs. Reimbursement for parts used in warranty repair will be made only when the parts are purchased from Paladin. Parts must be repaired by authorized dealers with a Warranty Authorization Number to be eligible for reimbursement under this Warranty. Warranty Claims submitted without a Warranty Authorization Number or repaired by anyone other than an authorized dealer will be denied.

Replacement parts for Covered Products must be ordered by the customer through a customer-issued purchase order. Such replacement parts will be sent to the dealer under a "no charge" invoice. Covered Products that are whole attachments or other serial numbered items must be ordered by the dealer and will be sent and invoiced to the dealer and reimbursed subject to the terms and conditions of this Warranty.

New, re manufactured or Paladin-approved replacement parts may be used, at Paladin's option, to repair a Covered Product. Reimbursement under this Warranty will not be allowed for assemblies or groups if it is practical to make the repair with individual parts. In some cases, the assembly or group price may be less than the total of the parts and labor required to complete the repair. In those cases, an assembly or group may be used if prior approval is granted by Paladin's Technical Service Department.

## LABOR REIMBURSEMENT

All labor for performing repairs must be completed within the later of 30 days of the date of the Warranty Event. Any extension of this 30-day requirement must be authorized in writing by Paladin's Technical Service Department.

The Repair Time Allowance Table located at the back of the operator's manual for the Covered Product must be used for all repairs. Labor will be reimbursed at a rate up to, but not to exceed, the following:

Brand	Maximum Labor Rate
Bradco, FFC, Harley, Kodiak, McMillen, Strike Force, Sweepster	\$65.00 per Hour
CP, CWS, JRB, Jewell	Not to exceed 70% of the dealer's posted labor rate.

In the event that more than one warranty defect is being submitted on the same Warranty Claim, each defect must be documented to aid in receiving the proper reimbursement. For repairs not identified in the Repair Time Allowance Table, the time submitted will be adjusted based on Paladin's relevant experience and records. Only authorized dealers are eligible to receive labor reimbursement under this Warranty. If one repair leads into another, no extra time is permitted.

The dealer shall not exceed the repair times set forth in the Repair Time Allowance Table found in the operator's manual for the Covered Product. In the event the repair is not identified in the Repair Time Allowance Table, prior written approval from Paladin's Technical Service Department must be obtained before performing any repairs on the Covered Product.

The most economical repair must be performed unless otherwise directed in writing by Paladin's Technical Service Department. The cost to repair a Covered Product shall not exceed the cost of the Covered Product.

# WARRANTY PROCEDURES

## FREIGHT REIMBURSEMENT

Freight charges for regular ground shipment will be reimbursed by Paladin at surface delivery rates on approved Warranty Claims. Any other freight charges, including freight charges for next day or other special freight service, will not be reimbursed by Paladin and are not covered by this Warranty. Freight charges for parts ordered in connection with an approved Warranty Claim and shipped with other dealer parts, whether stock or otherwise, will not be reimbursed by Paladin.

## RETURN MATERIAL AUTHORIZATION

If Paladin's Technical Service Representative requests the return of Covered Products, a Return Material Authorization ("RMA") will be issued to the dealer. Note: A Return Material Authorization is not a Warranty Claim or a Warranty Authorization Number. No Warranty Claim is approved and no reimbursement is authorized as a result of the issuance or delivery of a Return Material Authorization. When returning the Covered Product, the number for the RMA ("RMA#") must be visible on the outside of the shipping container and on the Covered Product. If the RMA# is not visible on the outside of the shipping container, it may be refused at Paladin's receiving door and returned at sender's expense. All Return Material Authorizations will be returned pre-paid by the sender unless pre-approved shipping information is supplied by Paladin. All Covered Products shipped to Paladin at Paladin's request will be tagged and held for 60 days after the Warranty Claim is submitted—and after 60 days such Covered Products may be scrapped by Paladin unless prior to the end of such 60-day period the dealer requests that a Covered Product be returned to the dealer, in which case the Covered Product will be shipped back to the dealer freight collect. Failure to return a Covered Product within 30 days from the date of issuance of a Return Material Authorization will result in a denied Warranty Claim and a voided Return Material Authorization. Any attempt to return any Covered Product that is associated with a voided RMA will be refused at by Paladin's receiving door and returned to the dealer at the dealer's risk of loss and expense. Paladin is not responsible for Covered Products returned without a Return Material Authorization or the RMA#. Covered Products sent to Paladin without a Return Material Authorization or RMS# may result in the loss of Covered Products. Parts that are supplied to Paladin by other suppliers ("Third-Party Parts") and shipped to Paladin at Paladin's request with an RMA# will be shipped by Paladin to the third-party supplier for such other supplier's evaluation. Under such circumstances, Paladin's decision to approve or deny the Warranty Claim relating to such Third-Party Parts will be based the decision by such third-party supplier. Disassembly of hydraulic motors, planetaries or gearboxes will automatically void this Warranty.

## CREDITS AND CREDIT MEMOS

Any reimbursement approved under this Warranty is made solely by the issuance of a credit or credit memo to the dealer associated with a Warranty Claim that has been approved by Paladin's Technical Service Department. Credit memos are processed by Paladin's accounting department. Credit memos are normally be processed within 7 working days after a Warranty Claim has been approved. A credit memo will not be processed unless and until a Warranty Claim has been approved. Credits and credit memos will be issued to the submitting dealer only and will be issued as a credit to the dealership's account.

Any credit or credit memo issued by Paladin may be reversed by Paladin at any time in the event Paladin discovers that any terms or conditions of this Warranty were not properly applied.

**\*\* ANY CREDIT OR CREDIT MEMOS EXPIRE WITHIN 180 DAYS OF ISSUANCE. AFTER SUCH 180-DAY PERIOD, ALL CREDITS AND CREDIT MEMOS WILL BE FORFEITED.\*\***

## DENIED CLAIMS

Paladin will notify the dealer of a denial of a Warranty Claim in writing stating the reason(s) for the denial. To appeal a denied Warranty Claim, the dealer must submit a written appeal to Paladin's Technical Service Department within 30 days of the date set forth in the notification of denial submitted by Paladin. If the dealer has not submitted such written appeal within that 30-day period, the Warranty Claim will be considered closed. There is a limit of one appeal for each denied Warranty Claim.

## EXCLUSION OF OTHER WARRANTIES

This Warranty is exclusive and in lieu of any other warranty, whether written or oral, express or implied, including without limitation any implied warranty of merchantability or fitness for any particular purpose. Except for any written modifications or additional warranties signed by the Paladin Operations Manager and/or Paladin's FP&A Manager, no agents, distributors, dealers or employees of Paladin are authorized to make any modification to this Warranty or to make additional warranties that are binding on Paladin. Accordingly, statements by such persons, whether oral or written, do not constitute warranties of Paladin and must not be relied upon.

# CERTAIN SPECIFIC ITEMS THAT ARE NOT COVERED BY THIS WARRANTY

Only the material reimbursements and labor reimbursements specified in this Warranty are covered by this Warranty. No other items, reimbursements, costs or expenses are covered by this Warranty including, without limitation, the following:

1. Travel time, mileage, meals, and lodging, overtime premiums, labor time for phone, fax, or other consultation between dealers, sales, or service management personnel, operators, owners etc.
2. The replacement cost of hydraulic oil, fuel, lubricants, coolants, filter elements, breathers, belts, lamps, batteries, seals, diaphragms, electrical components, couplers, and other items normally replaced as part of periodic service are not considered as warrantable items and, as such, those items shall be the responsibility of the user.
3. Attachments to major components not found to be defective, such as sensors, sending units, fitting, etc., should be reused to affect repairs, thus reducing warranty costs.
4. Reimbursement for rental units while repairing our units.
5. Normal installation procedures including mounting our units, tightening bolts, fittings, hoses, and maintaining oil levels.
6. Dealer rework that is the result of faulty repair or installation, slight machine variations or minor fit up for items that are correctly manufactured but not factory installed.
7. Damage or malfunctions resulting from natural calamity, theft, accident, vandalism, abuse due to misapplication, improper site conditions, incorrect maintenance, negligence, unauthorized modifications and/or alterations.
8. Normal maintenance items such as: adjustments, oil changes, lubrications, and tightening of bolts, clamps, hoses and fittings, tune-up, or inspections.
9. Parts that engage or contact the working material (normal wearing parts such as sprockets, digging chain, bearings, teeth, tamping and demolition heads, blade cutting edges, pilot bits, auger heads and broom brushes, cutting accessories, breaker tool bits and tamping pads).
10. Tool bits will not be considered for any warranty after two months of operation from the date of delivery.
11. Tool bit failure related to prying, overheating, and misuse.
12. Hydraulic pressure & flow, heat, type of fluid any failure or performance deficiency attributable to excess hydraulic pressure, excess hydraulic backpressure, excess hydraulic flow, excessive heat or incorrect hydraulic fluid.
13. The use of biodegradable oils or lubricants is not sanctioned and any failures when using these in mounted breaker operation.
14. Tools used in underwater applications (unless otherwise explicitly permitted in the quotation or order acknowledgment provided by Paladin for a Jewell Covered Product).
15. Hydraulic system contamination that causes, directly or indirectly, a failure of a Covered Product.
16. Exposure to natural or chemical elements, parts made of cloth, steel, synthetics, rubber, paint, chrome, polypropylene which affected by exposure to elements or chemical influence such as salt or industrial fallout.
17. Switching mounts from on prime mover to another.
18. If there are any attempts to disassemble or tamper with, or make field repairs to hydraulic motors, planetary drives, hydraulic cylinders, rotary manifolds or gearboxes.
19. Exceeding the maximum pressure setting from the factory. Alterations or modifications made without expressed written consent of Paladin.
20. Use of non-Paladin parts; parts made up or purchased by sources other than through Paladin. Engines, batteries, tires or other trade accessories, since these items are warranted separately by their respective manufacturer.
21. Any Warranty Claims that involve non-Paladin parts (which must be submitted through the original parts manufacturer—and information regarding installation of non-JRB manufactured parts will be supplied with machine paperwork for each installation).
22. Any consequential expenses, such as loss of revenue, for any reason including machine downtime etc.
23. Any failure related to the installation and/or use of an attachment not designed and/or specifically recommended by Paladin in writing.
24. Any towing or hauling charges or damages resulting in transporting a Covered Product.
25. Any damage or deterioration resulting from improper storage.
26. Any cost incurred for cannibalization or any other costs incurred as a result of extraordinary parts procurement.
27. Any equipment replacement cost due to machine downtime.
28. Any repairs to or any modifications of the prime mover while attached to a Covered Product.

# DEALER RESPONSIBILITIES

In addition to the other responsibilities or terms and conditions set forth in this Warranty and in any other agreement between a dealer and Paladin, dealers shall be responsible for the following:

1. Supplying qualified service for all units sold through your distribution.
2. Using best trained and experienced service personnel to do all work.
3. Using adequate tools to perform the required work in a minimum amount of time.
4. Providing adequate parts inventory to support machine population in the dealer's territory.
5. Educating all personnel in all aspects of the product lines.
6. Using only Paladin manufactured/supplied parts for all repairs.
7. In the interest of safety, replacing safety decals that are damaged as a direct result of a failure or as a direct result of repairing a failure, provided the failure in each case is covered by this Warranty.
8. Performing all required inspections, including inspecting all Covered Products received by the dealer, and providing warranty and service repairs for units sold through the dealer and reporting all failures to Paladin.
9. Mounting units on customer's designated prime mover, performing any modifications needed to attach mounting kits and hydraulic kits.
10. Adjusting rollback and dump stops so that they contact the machine as prescribed by the machine OEM and ensuring the attachment clears the machine in all positions.
11. Adjusting pressure settings both on the machine and on the attachment to insure normal operation of the attachment and machine combination.
12. Pressure testing all hydraulic connections and tightening where necessary.
13. Checking and tightening all fasteners and pins locks, loose bolts, repair minor hydraulic leaks, such as loose hoses and fittings once the attachment has been tested.
14. Adhering to and following all service bulletins from manufacturers; ordering and installing replacement parts as quickly as possible.
15. Following all policies and procedures set forth in the operator's manual for the Covered Product, including performing preventative maintenance and upkeep of the Covered Product.
16. Explaining to the owner the "Owner Responsibilities" set forth in this Warranty.
17. Processing Warranty Claims for owners in accordance with the terms and conditions of this Warranty.
18. Supplying a machine oil sample to Paladin when requested by Paladin.
19. When installing Paladin mounted equipment, performing a flow test and keeping this the test results on file; and if this test is not performed and the results not kept, a Warranty Claim will be denied until a Paladin Technical Service Representative (at the cost of the dealer or end user) performs this test and approves the condition of the Covered Product.
20. Properly packaging and sealing all valves to prevent contaminants from entering the valve during shipment of the Covered Product. Improperly packaged or unsealed valves will result in a denial of coverage under this Warranty

# OWNER RESPONSIBILITIES

In addition to the other responsibilities or terms and conditions set forth in this Warranty and in any other agreement between or among the dealer, Paladin and/or the owner of the Covered Product, owners shall be responsible for the following:

1. Following or performing the required or recommended preventive maintenance and following the safety procedures and guidelines with respect to the use and maintenance of the Covered Product as described in the operators' manual, including lubricating the machine as specified in the operator's manual.
2. Keeping all bolts torqued to specifications, and inspecting all bolts, fittings, and hoses daily.
3. Keeping all safety equipment installed and in working condition.
4. Keeping all filters clean.
5. Repairing all minor hydraulic leaks such as, loose hoses and fittings.
6. Replacing any decals that may be damaged or illegible. (Safety decals can be ordered through Paladin's Customer Service Department at no cost).
7. Using only qualified operators who have read and thoroughly understand the operator's manual.
8. Returning Covered Products to the dealer for warranty work, follow up inspections and service bulletin updates.
9. Adhering to the terms and conditions of this Warranty, including returning a Covered Product to the dealer for warranty work within 30 days from the date of any failure of the Covered Product.
10. Adhering to the service bulletin updates and requirements.
11. Reporting all accidents to Paladin (see phone numbers and addresses listed at the end of this Warranty).
12. Operating the Covered Product in accordance with the applicable design specifications.

# SEVERABILITY OF PROVISIONS

If any provision or part of a provision of this Warranty shall be, or be found by any court of competent jurisdiction to be, invalid or unenforceable, such invalidity or unenforceability shall not affect the other provisions or parts of such provisions of this Warranty, all of which shall remain in full force and effect.

# ADDENDUM

WARRANTY PERIOD	COVERED PRODUCTS	
	BRAND	PRODUCT
TWO YEARS	STRIKE FORCE	HYDRAULIC TOOLS (BREAKERS, PLATE COMPACTORS & WHEEL COMPACTORS)
ONE YEAR	JRB	WHEEL LOADER COUPLERS (JRB E SERIES, 416, 418, 420, 422 & ISO SERIES)
	BRADCO:	BACKHOES, TRENCHERS, DOZER BLADES, PALLET FORKS, GRAPPLE BUCKETS, 4-IN-1 BUCKETS, DIRT BUCKETS, TREE SPADES, POST DRIVERS, STUMP GRINDERS, MULCHERS, COLD PLANERS, BRUSH CUTTERS, FLAIL MOWERS, TREE SHEARS, JAWZ GRABBING TOOL, QUICK PIK MULTI-PURPOSE GRAPPLE, VIBRATORY ROLLER, VIBRATORY PLOW, ROCK SAWS, SILAGE DEFACER, MINI SKID STEER PRODUCTS
	CP	ALL PRODUCTS
	CUSTOM WORKS	ALL PRODUCTS (OTHER THAN JRB CUSTOM WORKS)
	CWS	ALL PRODUCTS
	FFC	ALL PRODUCTS
	HARLEY	ALL PRODUCTS
	KODIAK	ALL PRODUCTS
	MCMILLEN	ALL PRODUCTS
	SWEEPSTER	ALL PRODUCTS
	JEWELL	ALL PRODUCTS (EXCLUDES BASE MACHINE CONVERSION)
	JRB	ALL PRODUCTS (EXCEPT CUSTOM WORKS & HITCH LATCH KITS)
90 DAYS	JRB	CUSTOM WORKS & HITCH LATCH KITS
	BRADCO	REAR STABILIZER KITS
	JRB	HITCH LATCH KITS
	PALADIN	NEW REPLACEMENT PARTS

NOTE: JRB couplers and JRB adapters are manufactured to interface only with JRB attachments, OEM attachments and JRB female adaptors (ribs)—and the use of a JRB coupler or a JRB adapter with any other attachments (including non-standard attachments, OEM attachments or JRB female adaptors (ribs)) is not covered by, and will void, this Warranty.

JRB hydraulic kits and couplers are designed and tested to be used together. The use of a non-JRB coupler with a JRB kit or the use of a non-JRB kit with a JRB coupler is not covered by, and will void, this Warranty.

## Warranty Questions or Inquiries?

**Please Contact Us:**  
**1.833.723.1843**

**Press 1 - Paladin Attachments**  
(Select Division)

Press 1 - Compact Attachments

Press 2 - Heavy Attachments

**Press 1 - Customer Service / Inside Sales**

**Press 2 - Technical Service / Warranty**

# RETURN MATERIAL AUTHORIZATION (RMA) POLICY

## RETURNS GOODS AUTHORIZATION:

- All returns require a Return Material Authorization (RMA) number from Stanley Infrastructure prior to return.
- Before returning any item to Stanley infrastructure, call the Technical Service Department at (833) 723-1843 or email us at [Technicalservice@sbdinc.com](mailto:Technicalservice@sbdinc.com) to obtain a RMA number and instructions.
- Any shipment without authorization will be returned to the shipper at their expense.
- The RMA authorization number must be written on the carton, part or attachment and the RMA form included inside the package prior to return.
- RMA's have a time limit of 30 days from the date of invoice. Failure to request authorization within 30 days may void the RMA and the goods will be returned to the shipper upon receipt, at their expense.
- All items must be in new and sellable condition originally purchased from Stanley Infrastructure.
- A copy of the RMA (with instructions) will be emailed to the individual requesting the return.

**Note:** To be eligible for reimbursement of shipping charges, arrangements must be made with the Technical Service Representative at the time the RMA is issued. All returned shipments are to be sent prepaid. Any shipments sent collect will be refused and returned to the shipper at their expense or scrapped on site.

## INFORMATION REQUIRED WHEN REQUESTING A RETURN MATERIAL AUTHORIZATION (RMA):

1. Part numbers to return.
2. Quantities of each part number to return.
3. Stanley Infrastructure invoice number with the original purchased price for each item.
4. Contact name, phone number and email address.
5. Stanley Infrastructure attachment serial number, if applicable.
6. Stanley Infrastructure warranty claim number if RMA is associated with a warranty claim.

## RETURN AUTHORIZATION GUIDELINES:

All returns will be assessed a 25% restocking fee, with the exception of the following:

- Duplicate order if Stanley Infrastructure is at fault.
- Incorrect information in parts manual or bill of material without notification of change.
- Defective material in items prior to sale.
- Incorrect part or item shipped in error.

## NON-RETURNABLE ITEMS:

1. Parts from installation kits will not be accepted as separate pieces.
2. Parts from complete tools that have been modified.
3. Seals, O-rings, Diaphragms or rubber components.
4. Non-serviceable items.
5. Parts return rusted, damaged or in poor presentable, non-sellable condition.
6. Used or modified items.
7. Obsolete parts and/or parts not on the current published parts list.
8. Special order or vendor parts not handled in Stanley Infrastructure's inventory.
9. Consumable items (Grease, Pain, Lubricants, etc.).
10. Goods damaged in shipment through the responsible carrier.
  - a. Stanley Infrastructure will not negotiate freight/insurance claims with shipping companies on behalf of the end user or the dealer/distributor.



### **RETURN OF NON-SERVICEABLE ITEMS:**

Stanley Infrastructure will not accept return items, which are special order or non-standard items. All items returned must be in new condition in the original container or package if possible. Individuals who return non-serviceable items will be contacted and the item(s) will be returned at their expense. If the individual elects not to have the part returned or does not respond to Stanley Infrastructure's notification within five business days, the items(s) will be scrapped.

### **RETURN OF HAZARDOUS MATERIALS:**

Consumable items such as paint, grease and oils are non-returnable. All power units and tools that are powered by gasoline, diesel and batteries must be drained and batteries to be removed and not sent with the unit when shipped.

### **ISSUE OF CREDIT:**

Upon completion of processing return goods, credit will be issued to the Dealers account. All credits and credit memos expire within 180 days of issuance, after such 180-day period, all credits and credit memos will be forfeited. No cash payments will be made to the account holder.

## **CANCELLATION POLICY**

Unless the Parties mutually agree in writing to alter this section and its terms, Buyer may only cancel a Standard Product order with Seller's written consent. An approved cancellation of a Standard Product order where production has started will be subject to a 10% fee (minimum \$100 charge) processed through a separate debit transaction. Further, where Seller has incurred costs and expenses that cannot reasonably be recovered through sale of the Products to another person or entity, Buyer will pay Seller for all such costs and expenses, which may include costs of related raw materials, packaging, and other items dedicated to Standard Products. Custom, Non-Standard, and Non-Current Products may not be cancelled once production has started, to include but not limited to purchase of raw materials or components associated with the order. Seller may cancel a Buyer's order without obligation or liability upon notice to Buyer.

# PERFORMANCE. PARTNERSHIP. SELECTION.



**STANLEY**  
Infrastructure

833.723.1843  
[www.STANLEYinfrastructure.com](http://www.STANLEYinfrastructure.com)

