

ATHENS

MODEL 137-187

OFFSET DISKS



These ATHENS 137 and 187 Offset Disks are designed and built to do things that Offset Disk Harrows don't usually do. They TRAIL STRAIGHT without any side draft and finish smoothly going **around** the field. They will plow up and down rows, or diagonally **ACROSS ROWS**—leaving uniformly leveled soil across the entire width of cut. There will be no outside furrows to interfere with planting, harvesting, or irrigation.

These units are built so one person can easily hitch up by himself to the reversible, balanced swivel tongue Clevis using the tongue jack.

The ATHENS 137 and 187 Offsets are built to last **LONGER**. They are manufactured using heavy steel tubes which have a 300% built in Safety Margin against twisting, bending, and breakage. To assure you of unsurpassed performance, long life, and trouble free service, the 137 and 187 were put through a tough field testing program—under severe conditions, not just by our engineers, but by farmers like you and under **your** conditions.

ATHENS PLOW COMPANY, INC.
P.O. BOX 609
ATHENS, TENNESSEE 37371-0609



137-187 OFFSET DISK HARROWS

SPECIFICATIONS

137 OFFSET DISK 1-½" Square axle, 9-½" Disk spacing and 24" x ¼" smooth or cutout disks					187 OFFSET DISK 1-½" Square axle, 10-½" Disk spacing, and 26" x ¼" smooth or cutout Disks				
Width of Cut	No. of Disk	Approx Weight	DBHP** (Maximum Recommended)	No. of Bearings	Width of Cut	No. of Disks	Approx. Weight	DBHP ** (Maximum Recommended)	No. of Bearings
12' 6"	33	5367	90-135**	8	12' 1"	29	5693	95-145**	8
14' 0"	37	5734	100-165**	9	13' 9"	33	6373	105-165**	12
15' 6"	41	6373	110-170**	12	15' 5"	37	7031	125-185**	12
17' 0"	45	6734	120-185**	12	17' 1"	41	7365	140-200**	13
18' 6"	49	7076	130-200**	12					

* Approximate weights include QUADRASEAL double row Disk gang Bearings, Hydraulics complete, Four 15 x 8, six lug wheels, Tapered Disks, and reversible Clevis.
** Maximum Recommended DBHP. Approximate DBHP is only a guide. Extremely hard, soft, hilly, or boggy conditions will change these figures. DBHP in excess of the maximum recommended will void all warranty provisions.

STANDARD EQUIPMENT:

- Cover disk w/scraper
- Reversible, balanced clevis
- 1½" cold rolled square steel axles w/wrench
- Dual 15" 6 lug Wheels with QUADRASEAL hubs
- Heavy duty Scrapers
- Complete hydraulics, lifting and leveling
- Tapered Disk on right rear
- Adjustable angle of cut
- Rigid bearing hangers with either trunion mounted ball bearings or Relube QUADRASEAL tapered roller bearings
- Dual Wheels

OPTIONAL EQUIPMENT:

- Manual leveling
- Spring Bearing hangers w/QUADRASEAL tapered roller bearings

FEATURES

These brawny offsets are tough enough to chew up just about anything that gets in their way—heavy stalk, pasture sods, or easy to plow soils. And they're versatile enough to handle everything from primary tillage to chemical incorporation. They can be quickly and easily adjusted for deep plowing or for smooth, shallow finishing in a matter of minutes.

ADJUSTABLE ANGLE OF CUT. Angle of cut can be quickly and easily adjusted for more aggressive cutting and mixing action. Front gangs adjust from 13° to 25°. Rear gangs, from 16° to 28°.

Athens Plow Co., Inc. guarantees each piece of equipment against defective materials and workmanship for a period of one year from the date of delivery to the purchaser unless otherwise specified. Athens Plow Co., Inc. reserves the right to make changes and/or improvements in design and construction of parts or machines without notice or obligation.

The **ATHENS 137** has the ideal weight and size for general purpose usage. It has the size (12' 6" — 18' 6") and weight (137 pounds per blade, average) to penetrate deep and cover a lot of ground quickly—even in hard-to-plow soils. 24" disks with 9½" spacing standard.

The **ATHENS 187** is nearly 27% heavier than the 137. With 12' 1" thru 17' 1" cutting width and an average 187 pounds per blade, it will handle the tougher soils and trashier conditions, and give you the kind of results you want with every pass. 26" disks with 10½" spacing standard.



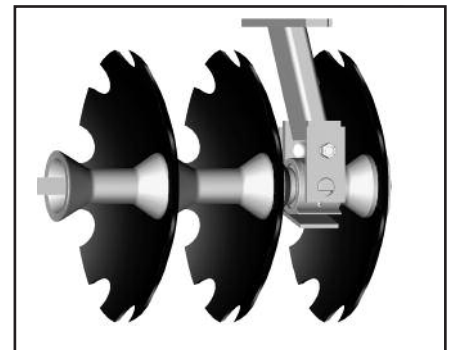
HYDRAULIC LEVELING from the tractor seat provides effortless LEVEL FOR TRANSPORT and adjustment for EXACT TRAILING.

AMPLE TRASH CLEARANCE. Wide open spaces between spacer spools and gang frames, plus narrow—but strong—bearing hangers, provide plenty of trash clearance. Heavy trash passes through cleanly and is worked deep into the soil for fast decomposition.



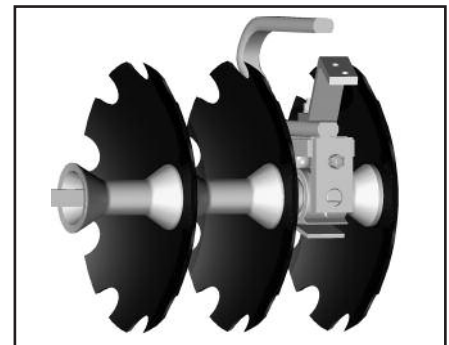
THE QUADRASEAL double-row tapered roller Bearings provide the most capacity in the industry. With this extra capacity, the probability of over-loading...even when disking at maximum angle...is virtually eliminated. The double tapered roller bearing has a triple-lip Seal that runs on a hardened, polished surface and is protected by a heavy steel Washer to avoid damage from wire and trash. Between the steel Washer and the Seal is a cavity filled with grease...an additional sealing element against dirt.

OPTIONAL DISK GANG BEARINGS:



Relube Trunion mounted ball bearings provide economy with dependability. Rigid QUADRASEAL tapered roller bearings give added capacity and increased life.

Both Rigid and Spring Bearing Hangers feature a Wear Plate which protects the front and bottom of the bearing hanger.



QUADRASEAL tapered roller bearings with spring bearing hangers provide maximum flexibility in rocky and uneven land.