



FERRI[®]

SIMPLY. THE MOWER

SALESBOOK

2021/2022 IN USD EFFECTIVE FROM SEPT. 1. 2021

www.ferri-america.com

PRICE
UPDATE
FEB.
1st 2022



WORLD
LEADER
IN MOWER
TECHNOLOGY

HOW TO CHOOSE THE RIGHT BOOM MOWERS FOR YOUR NEEDS

		Tractors HP												
models		20	25	30	35	40	50	60	70	80	90	100	110	120
Ferri range for USA	T250A		██████████											
	T320A		██████████											
	T380D					██████████								
	T430D						██████████							
	T460						██████████							
	TM46 Farm						██████████							
	TP510 Farm							██████████						
	TP610 Farm								██████████					
	TXV50									██████████				
	TXV60										██████████			

Which are the environmental conditions requested?

1	A	Verges - side of the road (no need for very long reach)	The all range can be suitable
	B	Banks - ditches - canals (need for long reach)	TP-TXV provided that the reach requested is form min. 16'

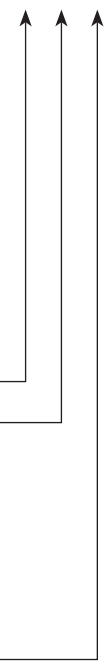
Mowing conditions ?

2	A	grass up 20" big	TM farm - TP - TXV	What thickness?	up to 2"	T - TM Farm - TP
	B	grass more than 20" big				
		bushes				
		shrubs				
		branches				
wood	up to 2" 1/4"	TXV				

How often will the boom mower be used?

3	A	short period per year (4-8 weeks) few hours per day (up to 4 hours)
	B	short period per year (4-8 weeks) several hours per day (up to 6 hours)
	C	long periods per year (8-16 weeks) several hours per day (up to 6 hours)

Our answer	AAA	T - TM Farm	no oil cooler	
	AAB	T - TM Farm - TP	with oil cooler	
	AAC	TXV	with oil cooler	
	ABA	TM Farm - TP - TXV	no oil cooler	Depending on thickness
	ABB	TM Farm - TP - TXV	with oil cooler	Depending on thickness
	ABC	TXV	with oil cooler	
	BAA	TP	no oil cooler	
	BAB	TP	with oil cooler	
	BAC	TXV	with oil cooler	
	BBA	TP - TXV	no oil cooler	Depending on thickness
	BBB	TXV	with oil cooler	
	BBC	TXV	with oil cooler	







SIMPLY. THE MOWER

INDEX



WARRANTY PROGRAM	4
-------------------------	----------

MOWERS	
MT	6
MKD	Front and rear mower 7

OFFSET/IN-LINE SLOPE MOWERS	
ZME	Central and offset mower 8
ZMGE	Central and offset mower 10
ZMTE PRO	Central and offset mower 12
ZTE	 Central and offset mower 14
ZLE	Central and offset mower 16
ZLE PRO	 Central and offset mower 18
ZHE	Central and offset mower 20

BOOM MOWERS	
T350S	22
T350SI	24
T250A - T320A	26
T380D - T430D Smart	28
T460 Smart	30
TM Farm	32
TP Farm	34
TXV Vision Energy	36

HYDRAULIC FLAIL MOWER FOR SKID LOADERS	
TSKID	38

ATTACHMENTS	
Hydraulic Flail heads	39
Professional Flail heads	40
Implements	41
Tractor fittings	42

WEIGHTS & DIMENSIONS	43
SET UP TIMES	44

WARRANTY PROGRAM

After Sales Organization

In order to establish an efficient after sale service with prompt answers for the customers, FERRI Italy has appointed J.S. Woodhouse responsible for after sale service for USA and Canada. J.S. Woodhouse is also to receive all warranty claims and to distribute exclusively FERRI spare parts throughout the North America territories. Product Registration Cards as well as any Warranty Claims, Shipping Claims or Request of Product return, has to be submitted to

J. S. Woodhouse Co., Inc.
1314 Union Street
P.O. Box 1169
West Springfield, Ma. 01090 U.S.A.
tel. 800 537 9142 (toll free)
fax. 413-732-3786
Web: www.jswoodhouse.com
email: info@jswoodhouse.com

For any claim whose value is less than US \$ 350 J.S. Woodhouse is authorized to decide the Warranty. For claims of higher value J.S. Woodhouse will contact FERRI Italy After Sale Service who will take a prompt decision on the matter.

Warranty program

FERRI SRL equipment is warranted to be free from defects in material and/or workmanship. If a defect should exist, replacement or repair of the defective part and reimbursement to the authorized servicing agent for the replacement expenses are provided. Warranty begins on the date the product is delivered to the original purchasers of the product. Once the warranty period has begun it can not be stopped or interrupted and all warranties are non-transferable. Please remember that the final decision to accept or reject a warranty claim is based upon the information presented for each situation. To receive the proper credit considerations please include complete details on all failures and procedures required repairing the unit.

Warranty Period

FERRI warranties their products for a period of 1 year from date of purchase to the original end-user. This warranty excludes wearing parts, for example: flails, bearings, safety guards, rams' seals, cables, belts, PTO shaft, etc.. Should the machine remain unsold for a period of time over 18 months, the distributor is obliged to inform FERRI.

Warranty repair

- Either the FERRI warranty claim form or a standard warranty claim form that includes all the information that the FERRI claim requests can be submitted.
- All warranted parts will be reimbursed by J.S. WOODHOUSE at the distributor cost and the distributor will then credit the dealer's parts cost to the dealer.
- FERRI will reimburse up to \$ 70.00 per hour for all repairs.
- FERRI will not reimburse costs like travel expenses, hotel accomodations, fuel etc. which may occur for repairs
- Any claim requesting 3 or more hours will have to be accompanied by a detailed work report.
- FERRI reserves the right to adjust unreasonable labor time requests.

Dealer Responsibility

- Dealer must fill out the Product Registration Form after sale of the unit to the End-user.
- Dealers must fill out the warranty claim form completely and submit it within 15 days of the repair date to the FERRI distributor.
- Dealers must retain all damaged parts replaced under warranty for a period of 90 days after the repair date.
- Dealers must use FERRI supplied parts for all repairs. If FERRI does not offer a replaced part such as oil, the dealer needs to include their cost for the part.

Distributor Responsibility

- Distributors should review each claim. All claim forms must be filled out completely. Incomplete claims should be returned to the dealer for completion.
- Distributor signs the Warranty Claim Form and send it to J.S Woodhouse either per post or per E-mail.

FERRI Responsibility

Upon receipt of warranty claim, FERRI/WOODHOUSE will process the credit to the distributor within 30 days.

Warranty Coverage, Conditions, Exclusions and Limitations

FERRI SRL agrees to cover the cost of parts and a specified labor rate for any repair from a failure that was caused in the judgment of FERRI SRL to be a defect in material or workmanship.



SIMPLY. THE MOWER

This warranty is given to the first retail purchaser (other than for purposes of resale) only and is not transferable. This warranty does not cover damage resulting from other than defects in material or workmanship or damage caused by unreasonable use including the failure to provide reasonable and necessary maintenance as prescribed in your FERRI Owner's Manual.

This warranty does not allow for replacement on non-defective parts that may wear out with reasonable use within the warranty period of which may require replacement in connection with normal maintenance, such as, by way of example: flails, bearings, safety guards, rams' seals, cables, belts, PTO shaft etc.

In addition this warranty does not cover repairs performed due to neglect, abuse, or use of the equipment other than the application for which it is designed.

This warranty is invalid if the serial number for your FERRI machine is removed or defaced or if service for defects covered under this warranty is performed by other than an Authorized FERRI Servicing Dealer or FERRI factory Recommended Service Station.

This warranty applies only to FERRI machines sold within the United States of America and Canada.

The limited warranty is in lieu of all other warranties, express or implied, and all other warranties, including but not limited to the implied warranties of merchantability and fitness for a particular purpose, are expressly disclaimed. It is specifically acknowledged that in no event shall ferri be liable for incidental or consequential damages irrespective of the basis therefore.

Some states may not allow the limitation or exclusion of any implied warranty, so the above limitation may not apply to you. Some states do not allow the exclusion or limitation of incidental or consequential damages, so the above limitation or exclusion may not apply to you.

This warranty supersedes any other warranty on your FERRI machine, including any warranty contained in your Owner's Manual. This warranty gives you specific legal rights, and you may also have other rights, which vary from state to state. This warranty is given by:
 FERRI SRL, Via C. Govoni, 30, 44034 Tamara (Fe) Italy.
 Phone: 01139 0532 866866.

GENERAL TERMS OF SALE

PRICES:

the given prices are value-added tax excluded and can be modified without notice.

THE PRESENT PRICE LIST REPLACE AND CANCEL ALL PREVIOUS ONES.

DELIVERY:

Ex-works TAMARA (Ferrara) Italy. The goods are travelling at buyer's risk and danger also if it has been agreed free at destination

SHIPMENT AND PACKAGING:

the machines, for storage and/or for transport reasons can be delivered partially dismantled; the working hours for mounting as well as the possible packaging are at buyer's cost.

DISPUTE:

every contractual aspect is controlled by the Italian law and for any dispute that could arise, the only competent Court is the Court of Ferrara (Italy).

MODIFICATIONS:

FERRI srl in the spirit to improve their production and/or for market reasons, reserve itself to modify in any moment their goods without being obliged to give advance notice. In this case the buyer has no right to cancel the contract.

ALL WEIGHT AND MEASURES SHOWN IN THIS PUBLICATION ARE APPROXIMATIVE AND NOT BINDING.



SIMPLY. THE MOWER



MOWERS FOR GRASS AND TWIGS



Equipped with:

Central and offset linkage

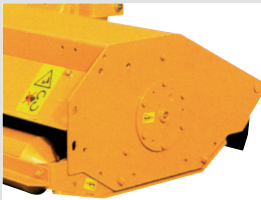
Adjustable rear roller



Adjustable belt-tensioner



Inner lining



Rotor bearing internally fitted

Pto shaft with overrun clutch

Side skids



MTR version
for tractors
with reversible
drive available
on demand.

TECHNICAL DATA

Model	Cutting width ft.	Weight lbs	Three point linkage Cat.	Tractor HP min/max	Pto Rpm	Rotor Rpm	Overall width ft.	Blade tip speed ft/sec
MT140	4'7"	705	0 - I	30/45	540	2280	5'	150
MT160	5'3"	794	0 - I	35/50	540	2280	5'8"	150
MT180	5'10"	926	I - II	45/60	540	2280	6'4"	164
MT200	6'6"	1014	I - II	50/70	540	2280	7'	164

MACHINES

Model	Flails	Suggested Retail - \$
MT140	A 32 "Y" blades	8,153
	B 16 hammer blades	8,328
MT160	A 40 "Y" blades	8,800
	B 20 hammer blades	9,063
MT180	A 48 "Y" blades	9,815
	B 24 hammer blades	10,130
MT200	A 48 "Y" blades	10,130
	B 24 hammer blades	10,428

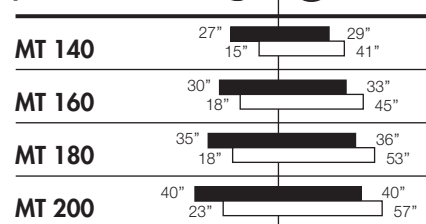


WARNING

It is RECOMMENDED that you connect the equipment to the tractor and start it up for the first time together with your Dealer, following the instructions and paying attention to the warnings indicated in our use and maintenance manual. If you require further information, please contact our after-sales service.

For Set-up times
please check page 44

Working positions



Flails

Interchangeable on the same rotor

"Y" Blades for:
grass, twigs
Ø max 1 1/4"



Hammer blades
for:
grass, twigs
Ø max 1 3/4"



A

Cod. 0901129

B

Cod. 0901134

• For packaging reason the mowers headstock on ME-MT-MKD as well as the side skid kit on MT shall be delivered unbolted. Reassembling will have to be at dealers' charge.
• Attachment to the tractor 3 point hitch, including PTO shaft fitting, also at dealer's charge.



FRONT AND REAR MOWERS FOR PROFESSIONAL GREEN MAINTENANCE AND AGRICULTURE



TECHNICAL DATA

Model	Cutting width ft.	Total width ft.	Weight lbs	Three point linkage Cat.	Side shift ft.	Belts	Tractor HP min/max	Pto Rpm	Blade tip speed ft/sec
MKD 2300	7'6"	8'2"	1929	II - III	1'11"	4	75/130	1000*	177
MKD 2500	8'2"	8'9"	2216	II - III	2'3"	4	85/130	1000	167
MKD 2800	8'11"	9'7"	2304	II - III	2'3"	5	95/130	1000	167

(*) On request: Pto 540 Rpm, rotor 1900 Rpm, blade tip speed 50 m/sec.

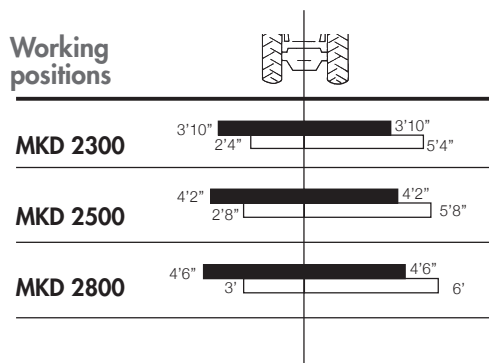
MACHINES

Model	Flails	Suggested Retail - \$
MKD 2300 A-B	72 Mutiuse Flails – 24 Forged Hammers	16,370
MKD 2500 A-B	78 Mutiuse Flails - 26 Forged Hammers	17,718
MKD 2800 A-B	84 Mutiuse Flails - 28 Forged Hammers	18,963

NB: versions

- Rear mount machine only (to mention at the time of order - Pto shaft included in machine price)
- Front and Rear (to mention at the time of order)

Working positions



Suitable for tractors equipped with one double acting valve

Flails

Interchangeable on the same rotor

Mutiuse flails for grass, bushes, shrubs, sticks, sticks Ø 1 3/4" max.

Forged hammerblades for: woods, twigs, grass Ø 2" max.



Cod. 0901146



Cod. 0901196



SIMPLY. THE MOWER

Equipped with:



- Revolving upper 3 point linkage for front and rear mounting
- Gearbox prearranged for rear (clockwise rotation) and front (anticlockwise rotation) mounting
- Side shift linkage with hydraulic cylinder
- Inner lining (for a better protection of the entire mowing body)
- Tightener pulley with axial floating, guarantees durability of the transmission by limiting the power dissipation in heat



- Adjustable rear roller (4 positions) Ø 6 1/2" with bolted on bearing housing ends
- Rotor internal bearing
- Spiral rotor with balancing shields
- Tubular slides (facilitate the translation of the shredder) with anti-wear pads
- Wear bar for cutting adjustment
- Hydraulic hoses with quick couplings
- Front guards with metal flaps
- Rear abrasion resistant rubbercloth guard
- PTO shaft

WARNING



It is RECOMMENDED that you connect the equipment to the tractor and start it up for the first time together with your Dealer, following the instructions and paying attention to the warnings indicated in our use and maintenance manual. If you require further information, please contact our after sales service.

For Set-up times please check page 44

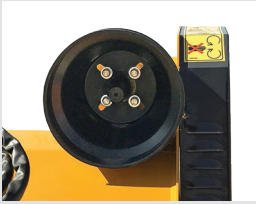
• For packaging reasons the mowers headstock on ME - MT - MKD shall be delivered unbolted. Reassembling will have to be at dealers' charge.
• Attachment to the tractor 3 point hitch, including PTO shaft fitting, also at dealer's charge.



SIMPLY. THE MOWER



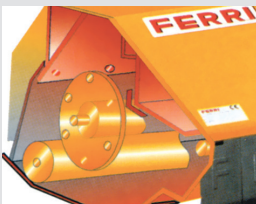
OFFSET/IN-LINE SLOPE MOWERS SPECIFICALLY DESIGNED FOR COMPACT TRACTORS



Gearbox inside the drive housing.



Internal rotor bearing.



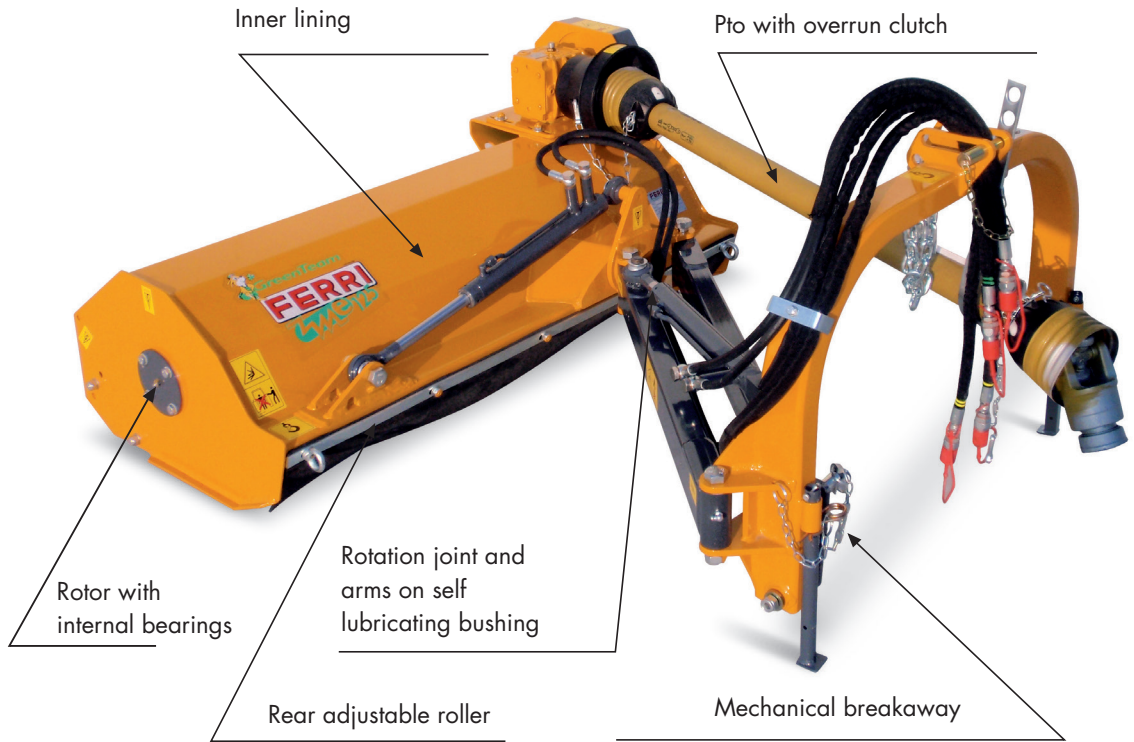
Inner lining.



Mechanical breakaway.

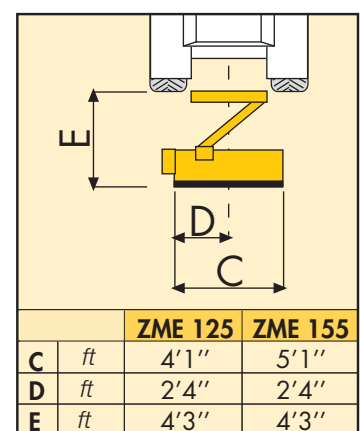
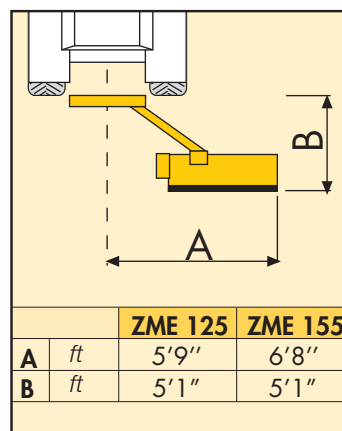
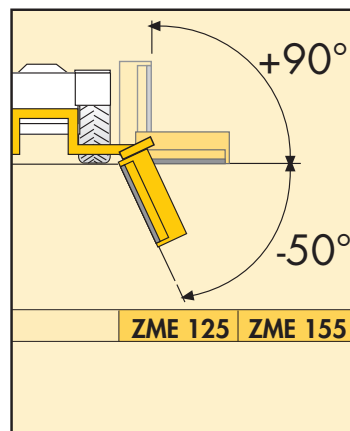


Rotor with internal sealed bearings



HP Tractor	18	25	30	40	Min. tractor weight lbs	Min. tractor width ft.
ZME125					1555	3'7"
ZME155					2000	3'11"

Working positions (m)





SIMPLY. THE MOWER

TECHNICAL DATA

Model	Cutting width	Max side-sliding*	Flail head angle	Weight	Three point linkage	Pto	Belts	Blade tip speed
	ft.	ft.	degrees	lbs	Cat.	Rpm	n°	ft/sec
ZME125	4'1"	5'9"	↓ 50° 90° ↑	511	I	540	3	150
ZME155	5'1"	6'8"	↓ 50° 90° ↑	575	I	540	3	150

* Reach measured from tractor centre line to head edge.

MACHINES

Model	Flails	Suggested Retail - \$
ZME125	56 Articulated "Y" blades	11,227
ZME155	72 Articulated "Y" blades	11,941

ACCESSORIES AT EXTRA CHARGE

Model	Suggested Retail - \$
Kit distributor with floating - in case the tractor is not equipped with double acting valves (Code ZME12501)	1,592

Equipped with:

- Hydraulic sideshift cylinder
- Hydraulic cylinder for head positioning
- Rotation joint and arms on self lubricating bushing
- Rear adjustable roller Ø 4" – 3 positions
- Main housing with inner lining
- Front and rear protection of flail head
- Pto with overrun clutch
- Packaging



Suitable for tractors equipped with 1 distributor with 2 double acting sections, one of which with floating. In case the tractor has only one acting, it will be necessary to fit the kit distributor with floating (see option.)

WARNING



It is RECOMMENDED that you connect the equipment to the tractor and start it up for the first time together with your Dealer, following the instructions and paying attention to the warnings indicated in our use and maintenance manual. If you require further information, please contact our after-sales service.



For Set-up times please check page 44

Flails

Articulated "Y" flails for grass and bushes Ø max 1"

Cod. 0901133



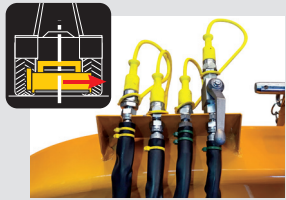
• Any Ferri offset mower ZME-ZTE-ZMTE-ZLE-ZHE will be supplied with parallel arms partially dismantled. Reassembling as per Ferri owner's manual will be at dealer's charge.
 • Attachment to the tractor 3 point hitch, including PTO shaft fitting, also at dealer's charge.



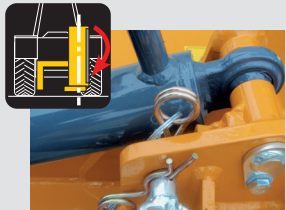
SIMPLY. THE MOWER



OFFSET/IN-LINE SLOPE MOWERS FOR AGRICULTURE AND GREEN AREAS



Hydraulic block tap for transport with manual activation (no chains or holders)



Mechanical block pin for transport (no chains or holders)



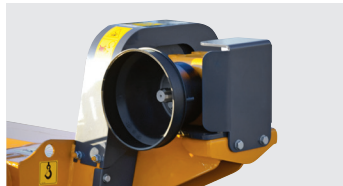
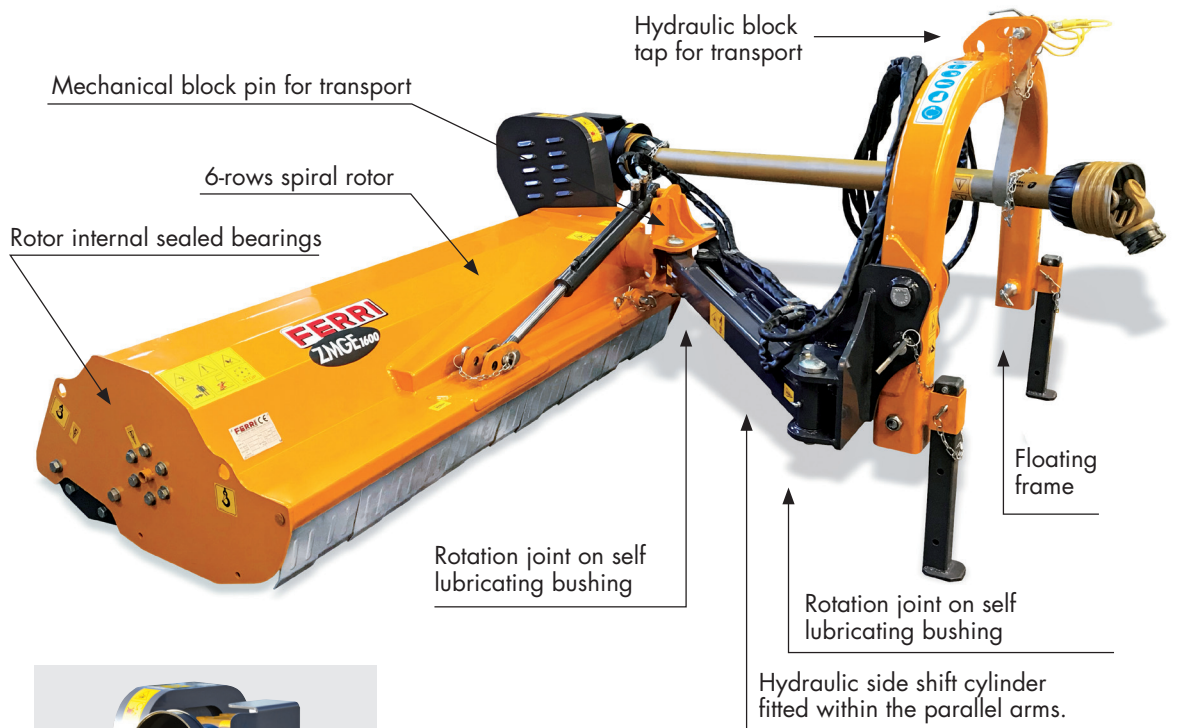
Floating frame following the ground contours



Hydraulic side shift cylinder fitted within the parallel arms for better protection during work.



Rotor internal sealed bearings

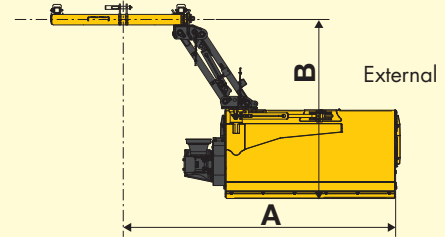
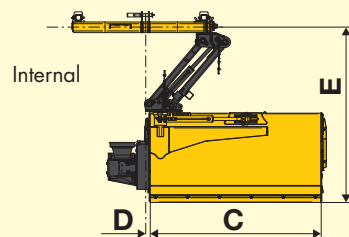
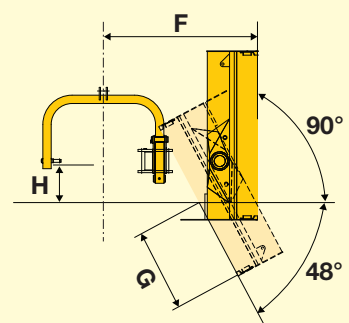


Gearbox unit outside the transmission cover (more offset and less PTO angle).

HP Tractor	40	50	60	70	Min. tractor weight lbs	Min. tractor width ft.
ZMGE 1400					3527	4' 11"
ZMGE 1600					3748	4' 11"

Working positions: right hand linkage

	ZMGE1400	ZMGE1600
A ft	8'6"	9'2"
B ft	5'11"	5'11"
C ft	4'8"	5'4"
D ft	0'5"	0'5"
E ft	5'8"	5'8"
F ft	5'5"	5'5"
G ft	3'4"	4'
H ft	1'4"	1'4"





SIMPLY. THE MOWER

TECHNICAL DATA

Model	Cutting width ft.	Max side-sliding* ft.	Flail head angle		Weight lbs	Three point linkage Cat.	Pto Rpm	Belts n°	Blade tip speed ft/sec
			degrees						
ZMGE1400	8'6"	7'10"	↓ 48°	90° ↑	981	I - II	540	3	47
ZMGE1600	5'4"	9'2"	↓ 48°	90° ↑	1025	I - II	540	3	47

* Reach measured from tractor centre line to head edge.

MACHINES

Model	Flails	Suggested Retail - \$
ZMGE1400	A 54 "Y" blades	13,002
	B 18 Hammer blades	13,064
ZMGE1600	A 66 "Y" blades	13,288
	B 22 Hammer blades	13,370

ACCESSORIES AT EXTRA CHARGE

	Suggested Retail - \$
Kit distributor with 2 levers and floating position (ZL1605)	1,664
Kit Cat. II pins (code ZMT1615)	92
Wide angle PTO shaft - (ZMT2010) only if ordered with the machine	1,913
Hydraulic breakaway kit (ZML1605)	245



Suitable for tractors equipped with 1 distributor with 2 double acting sections, one of which with floating. In case the tractor has only one acting, it will be necessary to fit the kit distributor with floating (see option.)

Flails

Interchangeable on the same rotor

"Y" blades for:
grass, shrubs, bushes
Ø max 1 1/4"



A

Cod. 0901158

Forged hammer-blades for:
woods, grass, twigs
Ø max 1 3/4"



B

Cod. 0901194

- Any Ferri offset mower ZME-ZTE-ZMGE-ZMTE-ZLE-ZHE will be supplied with parallel arms partially dismantled. Reassembling as per Ferri owner's manual will be at dealer's charge.
- Attachment to the tractor 3 point hitch, including PTO shaft fitting, also at dealer's charge.
- Side skid kits will be supplied separately. Relevant mounting as per instructions will be at dealer's charge.

Equipped with:

- Gearbox is fitted outside the transmission cover (more reach and less pto shaft angle)
- Double locking system for transport (this avoids accidental tilting or side movement of the flail head) no need for chains or holders
- Floating frame (the joint pin on the tractor side allows the head system to follow the ground, protecting the arm structure)
- Gearbox with free wheel
- Hydraulic side shift cylinder fitted within the parallel arms for better protection during work
- Hydraulic cylinder for head positioning
- Rotation joint and parallel arms on self lubricating bushings
- Heat treated pins
- Rotor internal sealed bearing
- Adjustable Rear Roller ø 5.5"
- Front guard with metal flaps
- Reinforced Pto Shaft
- Packaging (pallet)
- Adjustable side skids

WARNING



It is RECOMMENDED that you connect the equipment to the tractor and start it up for the first time together with your Dealer, following the instructions and paying attention to the warnings indicated in our use and maintenance manual. If you require further information, please contact our after sales service.

For Set-up times please check page 44



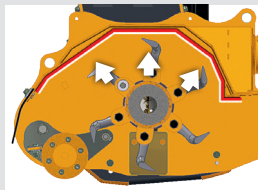
SIMPLY. THE MOWER



OFFSET/IN-LINE SLOPE MOWERS FOR AGRICULTURE AND GREEN AREAS



Gearbox external to the drive housing.



Inner lining "Full coverage" Domex 700 Steel.



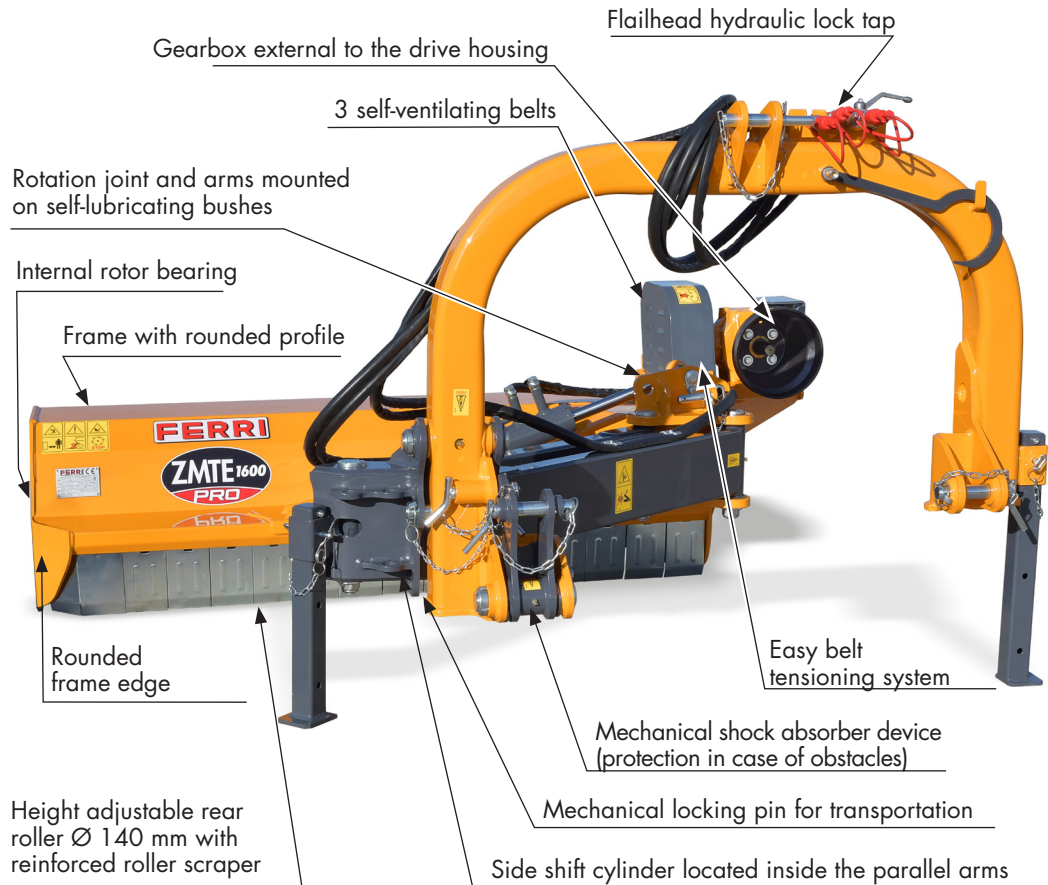
Mechanical shock absorber device (protection in case of obstacles).



Floating flail body frame, self-leveling to the ground.

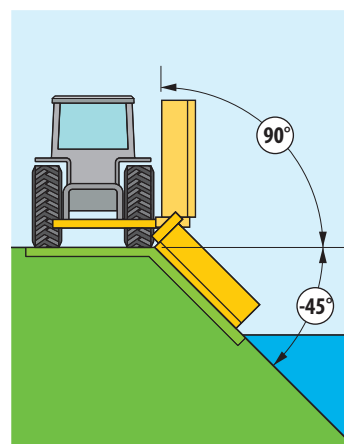
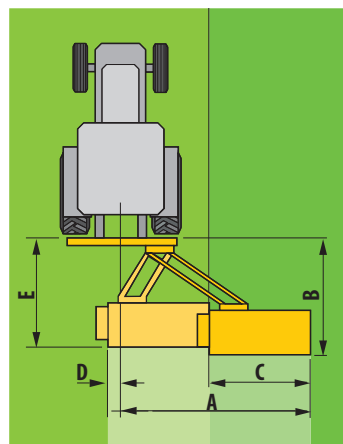


Mechanical locking pin for transportation, (no chains, no brackets).



HP Tractor	60	70	80	Min. tractor weight lbs	Min. tractor width ft.
ZMTE PRO 1600	█			5291	5'3"
ZMTE PRO 1800	█			5291	5'11"
ZMTE PRO 2000		█		5732	6'7"

Working positions



	ZMTE PRO 1600	ZMTE PRO 1800	ZMTE PRO 2000
	ft	ft	ft
A	9'2"	9'10"	10'6"
B	6'6"	6'6"	6'6"
C	5'5"	6'1/2"	6'8"
D	1"	1"	1"
E	6'1"	6'1"	6'1"



SIMPLY. THE MOWER

TECHNICAL DATA

Model	Cutting width	Max side-sliding*	Flail head angle		Weight	Three point linkage	Pto	Belts	Blade tip speed
	ft.	ft.	degrees						
ZMTE PRO 1600	5'5"	9'2"	45°	90°	1336	II	540	3	177'
ZMTE PRO 1800	6'1/2"	9'10"	45°	90°	1398	II	540	3	177'
ZMTE PRO 2000	6'8"	10'6"	45°	90°	1444	II	540	3	177'

* Reach measured from tractor centre line to head edge.

MACHINES

Model	Flails		Suggested Retail - \$
ZMTE PRO 1600	A	40 "Y" Blades	16,952
	B	20 hammer blades	17,197
ZMTE PRO 1800	A	48 "Y" Blades	17,177
	B	24 hammer blades	17,524
ZMTE PRO 2000	A	48 "Y" Blades	17,381
	B	24 hammer blades	17,687

ACCESSORIES AT EXTRA CHARGE

	Suggested Retail - \$
Kit distributor with floating (code ZL1605)	1,664
Wide angle PTO shaft - ZMT2010 (only if ordered with the machine)	1,913
NG rear roller kit for ZMTE1600 Pro	1,276
NG rear roller kit for ZMTE1800 Pro	1,276
NG rear roller kit for ZMTE2000 Pro	1,276



Suitable for tractors equipped with 1 distributor with 2 double acting sections, one of which with floating. In case the tractor has only one acting, it will be necessary to fit the kit distributor with floating (see option.)

Flails

Interchangeable on the same rotor

"Y" blades for:
grass, shrubs, bushes
Ø max 1 1/4"



A

Cod. 0901129

Forged hammer-blades for:
woods, grass, twigs
Ø max 1 3/4"



B

Cod. 0901134

• Any Ferri offset mower ZME-ZTE-ZMGE-ZMTEPRO-ZLE-ZHE will be supplied with parallel arms partially dismantled. Reassembling as per Ferri owner's manual will be at dealer's charge.
• Attachment to the tractor 3 point hitch, including PTO shaft fitting, also at dealer's charge.
• Side skid kits will be supplied separately. Relevant mounting as per instructions will be at dealer's charge.

Equipped with:

- Universal three point linkage ISO cat. 2.
- Gear unit pdf 540 rpm in OFFSET position, box support bolted to the frame.
- Inner lining "Full coverage" Domex 700.
- Internal rotor bearings.
- Head positioning hydraulic cylinder and mechanical safety device for transport.
- Lateral parallelogram offset with protected adjustable hydraulic cylinder.
- Rotation joint and arms mounted on self-lubricating bushes.
- Floating flail body frame, self-leveling to the ground.
- Mechanical shock absorber device (protection in case of obstacles).
- Transport position with mechanical safety device.
- Easy belt tensioning system.
- FerriPERFECT, electronic balancing system and two-phase numerical control of the rotor.
- Reinforced "OVERLAP" double row spiral rotor.
- Height adjustable rear roller Ø 140 mm. with reinforced roller scraper.
- Front guard with steel flaps.
- Rear guard with reinforced wear resistant rubber cloth.
- Hexalobate profile PTO shaft with reinforced cruises.
- Packaged on a separate pallet.
- Accident prevention protections according to EC directives.

WARNING



It is RECOMMENDED that you connect the equipment to the tractor and start it up for the first time together with your Dealer, following the instructions and paying attention to the warnings indicated in our use and maintenance manual. If you require further information, please contact our after sales service.

For Set-up times please check page 44



SIMPLY. THE MOWER



Floating frame



Hydraulic side shift cylinder fitted within the parallel arms for better protection during work



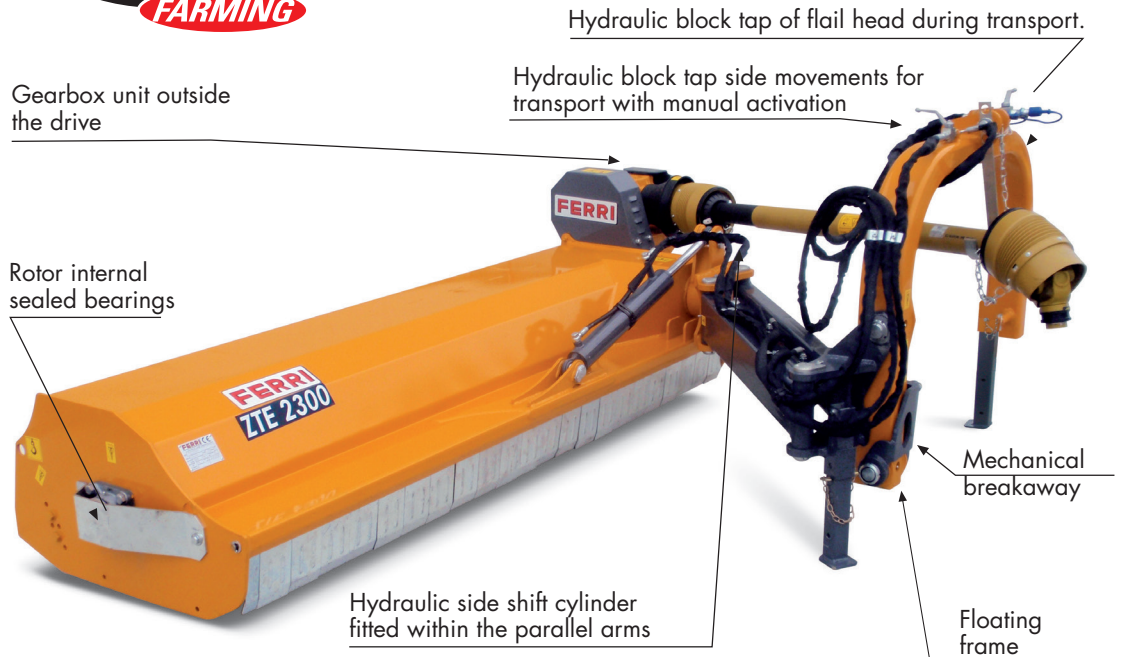
Mechanical breakaway



Rotor internal sealed bearings



OFFSET/IN-LINE SLOPE MOWERS FOR AGRICULTURE AND GREEN AREAS



Hydraulic block tap side movements for transport with manual activation (no chains or holders).



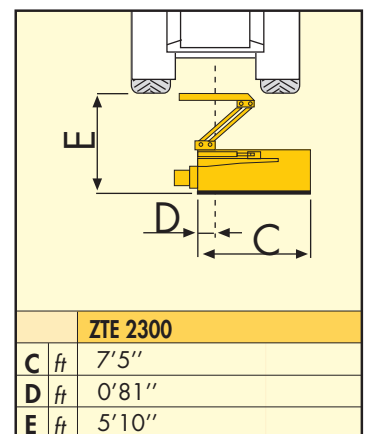
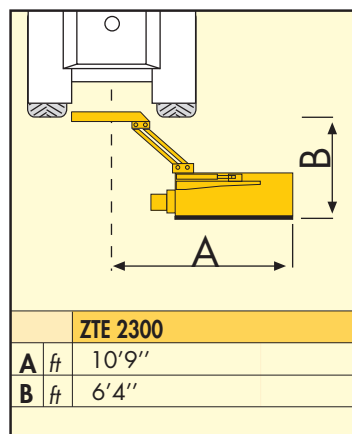
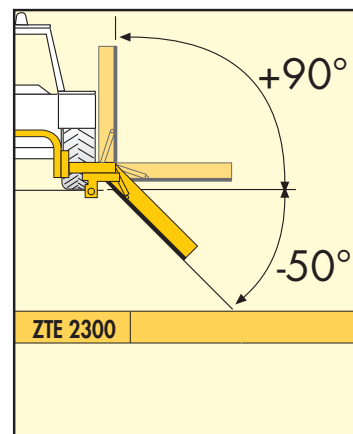
Hydraulic block tap of flail head during transport (no chains or holders).



Gearbox unit outside the transmission cover

HP Tractor	50	60	70	80	Min. tractor weight lbs	Min. tractor width ft.
ZTE 2300 FARMING					6170	7'3"

Working positions





SIMPLY. THE MOWER

TECHNICAL DATA

Model	Cutting width	Max side-sliding*	Flail head angle		Weight	Three point linkage	Pto	Belts	Blade tip speed
	ft.	ft.	degrees						
ZTE2300 Farming	7'5"	10'9"	↓50°	90°↑	1444	II	540	4	164

* Reach measured from tractor centre line to head edge.

MACHINES

Model	Flails	Suggested Retail - \$
ZTE2300 Farming	22 Hammer blades	18,534

ACCESSORIES AT EXTRA CHARGE

	Suggested Retail - \$
Kit distributor with floating (code ZL1605)	1,664
Wide angle PTO shaft (ZMT2010) only if ordered with the machine	1,913

Flails

Interchangeable on the same rotor ("Overlap")

Forged hammer-blades for:
woods, grass, twigs
Ø max 1 3/4"



Cod. 0901196

Suitable for tractors equipped with 1 distributor with 2 double acting sections, one of which with floating. In case the tractor has only one acting, it will be necessary to fit the kit distributor with floating (see option.)



WARNING



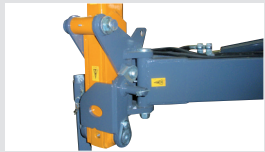
It is RECOMMENDED that you connect the equipment to the tractor and start it up for the first time together with your Dealer, following the instructions and paying attention to the warnings indicated in our use and maintenance manual. If you require further information, please contact our after sales service.

For Set-up times please check page 44

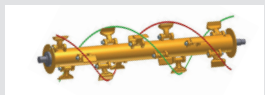
• Any Ferri offset mower ZME-ZTE-ZMGE-ZMTE-ZLE-ZHE will be supplied with parallel arms partially dismantled. Reassembling as per Ferri owner's manual will be at dealer's charge.
• Attachment to the tractor 3 point hitch, including PTO shaft fitting, also at dealer's charge.
• Side skid kits will be supplied separately. Relevant mounting as per instructions will be at dealer's charge.



SIMPLY. THE MOWER



Mechanical breakaway (protection in case of obstacles).



"Overlap" spiral rotor with two spiral rows, reinforced to 0.39" section for either hammer blades and multiuse flails.



Rear adjustable roller 6 1/2"



Floating frame following the ground contours.



Rotation joint on self lubricating bushing.



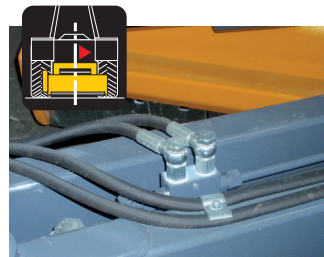
Inner lining for a complete protection of the frame.



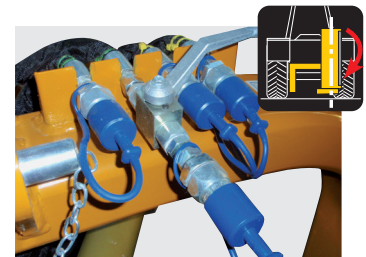
OFFSET/IN-LINE SLOPE MOWERS FOR MUNICIPAL AND GREEN AREAS



Gearbox unit outside the transmission cover (more-side sliding)



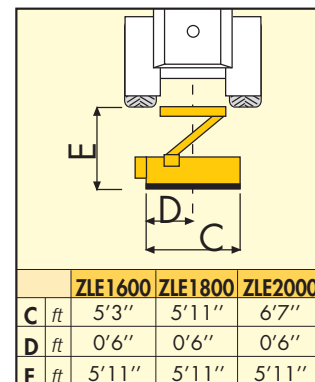
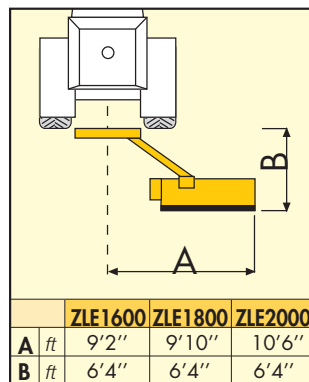
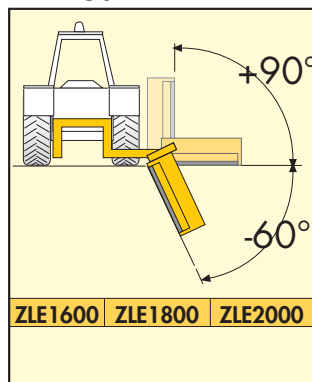
Hydraulic block valve for transport with automatic activation (no chains or holders).



Hydraulic block tap for transport with manual activation (no chains or holders).

HP Tractor	50	60	70	80	90	100	Min. tractor weight lbs	Min. tractor width ft.
ZLE1600 Dynamic	[Green bar]						5291	5'10"
ZLE1800 Dynamic		[Green bar]					5732	6'6"
ZLE2000 Dynamic			[Green bar]				6173	7'2"

Working positions





SIMPLY. THE MOWER

TECHNICAL DATA

Model	Cutting width	Max side-sliding*	Flail head angle		Weight	Three point linkage	Pto	Belts	Blade tip speed
	ft.		degrees						
ZLE1600 Dynamic	5'3"	9'2"	↓ 60°	90° ↑	1466	II	540	3	174
ZLE1800 Dynamic	5'11"	9'10"	↓ 60°	90° ↑	1532	II	540	3	174
ZLE2000 Dynamic	6'7"	10'6"	↓ 60°	90° ↑	1598	II	540	4	174

* Reach measured from tractor centre line to head edge.

MACHINES

Model	Suggested Retail - \$
ZLE1600 Dynamic	18,555
ZLE1800 Dynamic	19,820
ZLE2000 Dynamic	20,984

ACCESSORIES AT EXTRA CHARGE

	Suggested Retail - \$
Kit distributor with floating (code ZL1605)	1,664
Wide angle PTO shaft (ZMT2010) only if ordered with the machine	1,913



Suitable for tractors equipped with 1 distributor with 2 double acting sections, one of which with floating. In case the tractor has only one acting, it will be necessary to fit the kit distributor with floating (see option.)

Flails

Interchangeable on the same rotor ("Overlap")

Forged hammer-blades for: woods, grass, twigs
Ø max 1 3/4"

Multiuse blades for: grass, bushes, shrubs, sticks
Ø max 1 1/4"



Cod. 0901196

Cod. 0901146

ZLE1600 n° 16
ZLE1800 n° 18
ZLE2000 n° 20

ZLE1600 n° 48
ZLE1800 n° 54
ZLE2000 n° 60

- Any Ferri offset mower ZME-ZTE-ZMGE-ZMTEPRO-ZLE-ZHE will be supplied with parallel arms partially dismantled. Reassembling as per Ferri owner's manual will be at dealer's charge.
- Attachment to the tractor 3 point hitch, including PTO shaft fitting, also at dealer's charge.
- Side skid kits will be supplied separately. Relevant mounting as per instructions will be at dealer's charge.

Equipped with:

- Gearbox is fitted outside the transmission cover (more-side sliding and less pto shaft angle)
- Hydraulic block valve for transportation with automatic activation (this avoids accidental side movements of the flail head without operator's intervention or the use of chains or holders).
- Hydraulic block tap for transportation with manual activation (this avoids accidental leaning of the mowing body without use of chains or holders).
- Inner lining (sheet metal protection for the whole flail head).
- Mechanical breakaway (protection in case of obstacles) with mechanical block system to make coupling to the tractor easier.
- "OVERLAP" spiral rotor with two spiral rows reinforced with a 0,4" section for forged hammerblades and multiuse flails.
- 6-rows-rotor reinforced with a 2/5" section for articulated flails.
- Adjustable counterblade (to adjust the size of the debris).
- Rear adjustable roller Ø 6 1/2".
- Floating frame to follow the ground contours.
- Adjustable side skids.
- Rotation joint and parallelogram arms on self lubricating bushing.
- Heat treated pins.
- Gearbox overrunning clutch.
- Hydraulic side shift cylinder fitted within the parallel arms for better protection during work.
- Front guard with metal flaps and rear guard with rubber.
- Reinforced Pto shaft.

WARNING



It is RECOMMENDED that you connect the equipment to the tractor and start it up for the first time together with your Dealer, following the instructions and paying attention to the warnings indicated in our use and maintenance manual. If you require further information, please contact our after sales service.

For Set-up times please check page 44



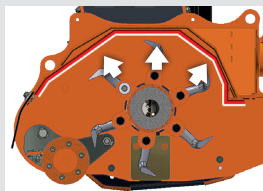
SIMPLY. THE MOWER



PROFESSIONAL OFFSET/IN-LINE SLOPE MOWERS FOR MUNICIPAL AND GREEN AREAS



Gearbox unit outside the transmission for more homogeneous mulching.



Double skin mulching frame with inter-anl "Full Coverage" layer in Strenx 700



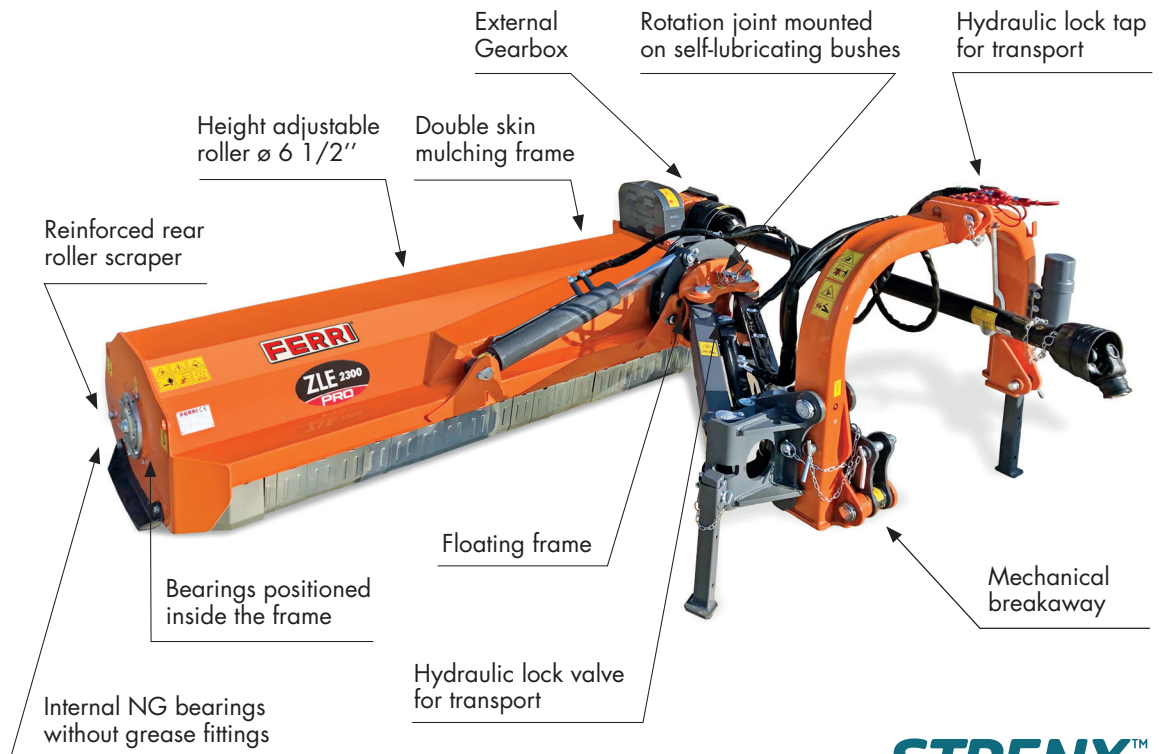
Mechanical shock absorber device, total protection in case of collision with obstacles



Rotor support with bearings positioned inside the frame



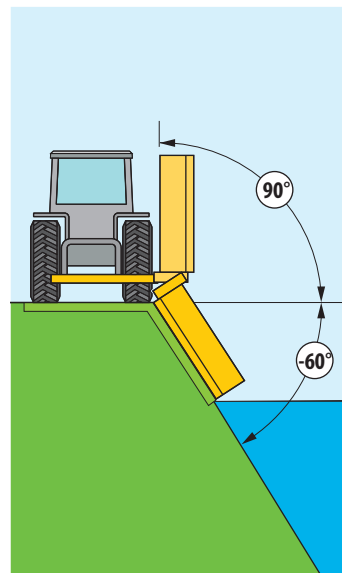
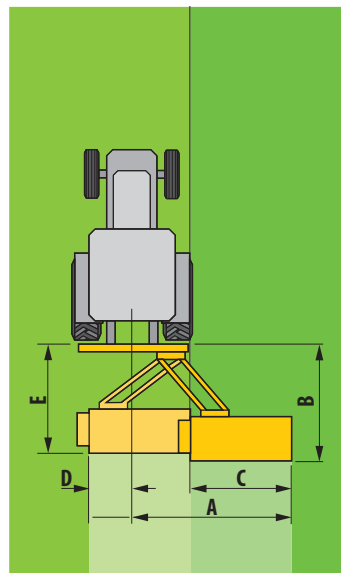
Rear roller support with internally fixed bearings NG without grease fittings



STRENX™
PERFORMANCE STEEL

HP Tractor	60	70	80	90	100	110	120	Min. tractor weight lbs	Min. tractor width ft.
ZLE PRO 1800	[Green bar]							6173	6'7"
ZLE PRO 2000		[Green bar]						6620	7'3"
ZLE PRO 2300			[Green bar]					7050	7'7"

Working positions



	ZLE PRO 1800	ZLE PRO 2000	ZLE PRO 2300
	ft	ft	ft
A	9'11"	10'6"	11'4"
B	6'6"	6'6"	6'6"
C	6'0"	6'8"	7'6"
D	5'1/2"	5'1/2"	5'1/2"
E	6'4"	6'4"	6'4"



SIMPLY. THE MOWER

TECHNICAL DATA

Model	Cutting width	Max side-sliding*	Flail head angle		Weight	Three point linkage	Pto	Belts	Blade tip speed
	ft.		degrees						
ZLE PRO 1800	6'0"	9'11"	↓ 60°	90° ↑	1830	II	540	4	174
ZLE PRO 2000	6'8"	10'6"	↓ 60°	90° ↑	1896	II	540	4	174
ZLE PRO 2300	7'6"	11'4"	↓ 60°	90° ↑	2000	II	540	4	174

* Reach measured from tractor centre line to head edge.

MACHINES

Model	Suggested Retail - \$
ZLE PRO 1800	23,766
ZLE PRO 2000	24,107
ZLE PRO 2300	24,637

ACCESSORIES AT EXTRA CHARGE

	Suggested Retail - \$
Rear panel kit (L000290)	265
Wide angle PTO shaft (ZMT2010) only if ordered with the machine	1,913



Suitable for tractors equipped with 1 distributor with 2 double acting sections, one of which with floating. In case the tractor has only one acting, it will be necessary to fit the kit distributor with floating (see option.)

Flails

Interchangeable on the same rotor ("Overlap")

Forged hammer-blades for: woods, grass, twigs
Ø max 1 3/4"

Multiuse blades for: grass, bushes, shrubs, sticks
Ø max 1 1/4"



Cod. 0901196

Cod. 0901146

ZLE PRO 1800 n° 18
ZLE PRO 2000 n° 20
ZLE PRO 2300 n° 22

ZLE PRO 1800 n° 54
ZLE PRO 2000 n° 60
ZLE PRO 2300 n° 66

- Any Ferri offset mower ZME-ZTE-ZMGE-ZMTEPRO-ZLE-ZHE will be supplied with parallel arms partially dismantled. Reassembling as per Ferri owner's manual will be at dealer's charge.
- Attachment to the tractor 3 point hitch, including PTO shaft fitting, also at dealer's charge.
- Side skid kits will be supplied separately. Relevant mounting as per instructions will be at dealer's charge.

Equipped with:

- Universal three point linkage ISO cat. 2.
- Gearbox unit pdf 540 rpm in OUTSIDE position, gearbox support screwed to the frame.
- Double skin mulching frame with interanal "Full Coverage" layer in Strenx 700.
- Rotor bearings positioned inside the frame.
- Hydraulic ram for mulching head positioning and 2 hydraulic safety devices for transport.
- Sideshift with protected adjustable hydraulic cylinder.
- Rotation joint and arms mounted on self-lubricating bushes.
- Floating flail body frame, self-leveling to the ground.
- Mechanical shock absorber device, total protection in case of collision with obstacles.
- Mechanical safety in transport.
- Easy transmission belt tensioning system.
- FerriPERFECT, electronic balancing system and two-phase numerical control of the rotor.
- Reinforced "OVERLAP" double row spiral rotor.
- Adjustable rear roller Ø 6 1/2" with NG bearing supports and reinforced roller scraper.
- Front guard with steel flaps.
- Rear guard with reinforced wear resistant rubber cloth.
- Hexalobate profile PTO shaft with reinforced cruises.
- Symmetrical wear-resistant skids.
- Packaged on a separate pallet.
- Accident prevention protections according to EC directives.

WARNING



It is RECOMMENDED that you connect the equipment to the tractor and start it up for the first time together with your Dealer, following the instructions and paying attention to the warnings indicated in our use and maintenance manual. If you require further information, please contact our after sales service.

For Set-up times please check page 44



SIMPLY. THE MOWER



OFFSET/IN-LINE SLOPE MOWERS FOR PROFESSIONALS AND GREEN AREAS



Mechanical breakaway with spring assisted device.



"Overlap" spiral rotor with two spiral rows, reinforced to 0.4" section for either hammer blades and multiuse flails.



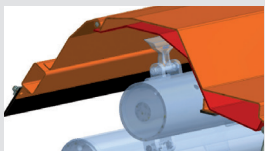
Rear adjustable roller 6 1/2"



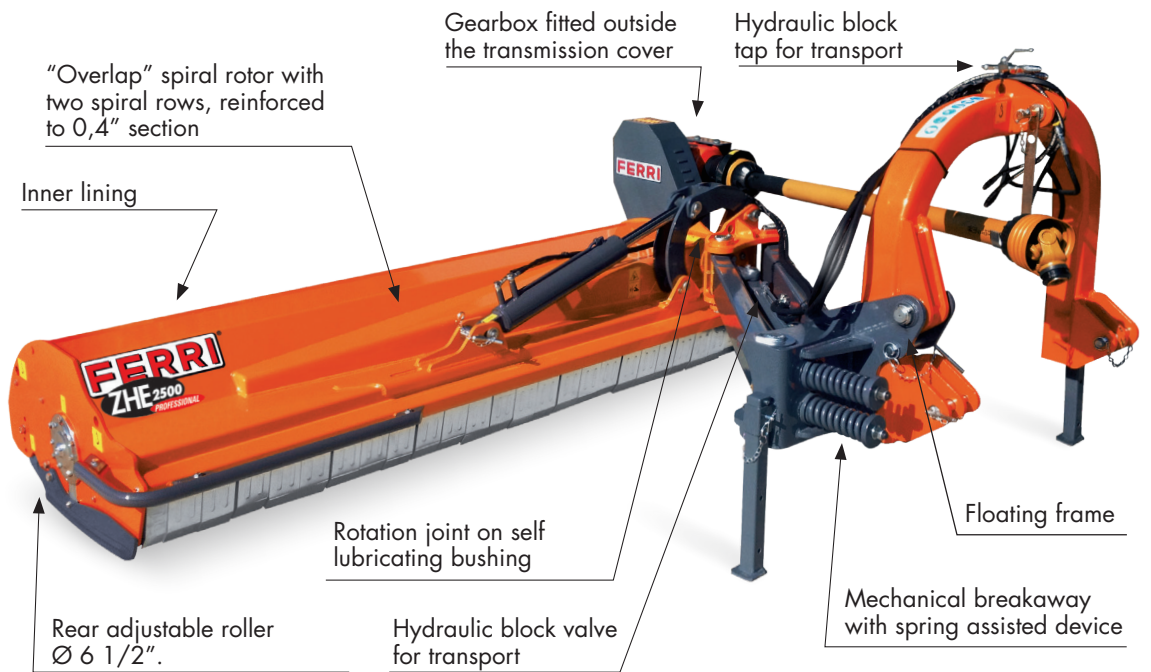
Adjustable side skids.



Rotation joint on self lubricating bushing.



Inner lining for a complete protection of the frame.



"Overlap" spiral rotor with two spiral rows, reinforced to 0,4" section

Inner lining

Gearbox fitted outside the transmission cover

Hydraulic block tap for transport

Rotation joint on self lubricating bushing

Floating frame

Rear adjustable roller Ø 6 1/2".

Hydraulic block valve for transport

Mechanical breakaway with spring assisted device



Gearbox unit outside the transmission cover (more-side sliding).



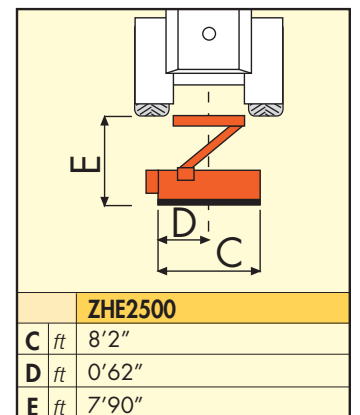
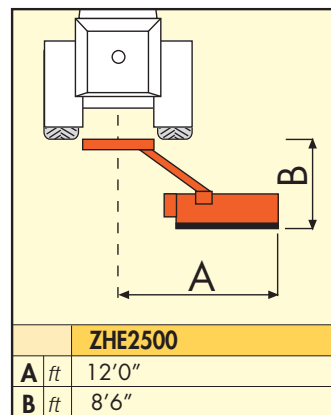
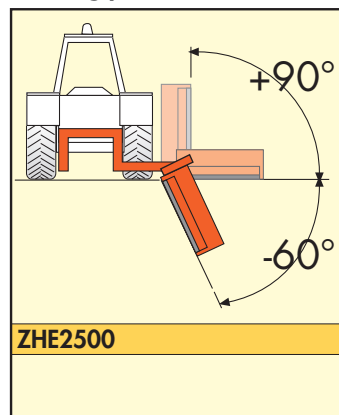
Hydraulic block valve for transport with automatic activation (no chains or holders).



Hydraulic block tap for transport with manual activation (no chains or holders).

HP Tractor	100	110	120	130	140	150	160	Min. tractor weight lbs	Min. tractor width ft.
ZHE2500 Dynamic								8818	7'5"

Working positions





SIMPLY. THE MOWER

TECHNICAL DATA

Model	Cutting width ft.	Max side-sliding* ft.	Flail head angle degrees	Weight lbs	Three point linkage Cat.	Pto Rpm	Belts n°	Blade tip speed ft/sec
ZHE2500 Dynamic	8'2"	12'0"	↓ 60° 90° ↑	2992	II - III	540	5	174

* Reach measured from tractor centre line to head edge.

MACHINES

Model	Suggested Retail - \$
ZHE 2500 Dynamic	27,454

ACCESSORIES AT EXTRA CHARGE

	Suggested Retail - \$
Kit distributor with floating (code ZL1605)	1,664
Wide angle PTO shaft (code ZHE2505)	1,929



Suitable for tractors equipped with 1 distributor with 2 double acting sections, one of which with floating. In case the tractor has only one acting, it will be necessary to fit the kit distributor with floating (see option.)

Flails

Interchangeable on the same rotor ("Overlap")

Forged hammer-blades for: woods, grass, twigs Ø max 2"	Multiuise blades for: grass, bushes, shrubs, sticks Ø max 1 1/2"
Cod. 0901196	Cod. 0901146
n° 26	n° 78

- Any Ferri offset mower ZME-ZTE-ZMGE-ZMTE-ZLE-ZHE will be supplied with parallel arms partially dismantled. Reassembling as per Ferri owner's manual will be at dealer's charge.
- Attachment to the tractor 3 point hitch, including PTO shaft fitting, also at dealer's charge.
- Side skid kits will be supplied separately. Relevant mounting as per instructions will be at dealer's charge.

Equipped with:

- Gearbox is fitted outside the transmission cover (more-side sliding and less pto shaft angle)
- Belt transmission (5 belts)
- Hydraulic block valve for transportation with automatic activation (this avoids accidental side movements of the flail head without operator's intervention or the use of chains or holders).
- Hydraulic block tap for transportation with manual activation (this avoids accidental leaning of the mowing body without use of chains or holders).
- Inner lining (sheet metal protection for the whole flail head).
- Mechanical breakaway with spring assisted device
- "OVERLAP" spiral rotor with two spiral rows reinforced with a 0,4" section for forged hammerblades and multiuse flails.
- 6-rows-rotor reinforced with a 2/5" section for articulated flails.
- Adjustable counterblade (to adjust the size of the debris).
- Rear adjustable roller Ø 6 1/2".
- Floating frame to follow the ground contours.
- Adjustable side skids.
- Rotation joint and parallelogram arms on self lubricating bushing.
- Gearbox overrunning clutch.
- Hydraulic side shift cylinder fitted within the parallel arms for better protection during work.
- Front guard with metal flaps and rear guard with rubber.
- Reinforced Pto shaft.

WARNING



It is RECOMMENDED that you connect the equipment to the tractor and start it up for the first time together with your Dealer, following the instructions and paying attention to the warnings indicated in our use and maintenance manual. If you require further information, please contact our after sales service.

For Set-up times please check page 44

HP 8 available cutter bar



SIMPLY. THE MOWER

T350S

BOOM MOWERS WITH HEDGES CUTTERBAR FOR GREEN AREA LIGHT GREEN MAINTENANCE



Arms with circular section H.T.R. (High Torsion Resistance).



Cutter bar for hedges CS150.



Dependent hydraulic system.

Arms with circular section H.T.R. (High Torsion Resistance)

Hydraulic control valve with 4 cable controls

Dependent hydraulic system

Cutter bar for hedges CS150

Hydraulic control valve with maximum pressure valve



Left hand operation



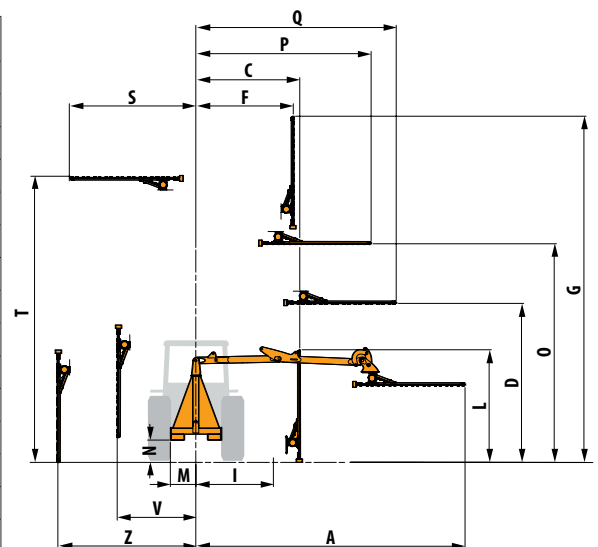
Cable controls

Reliability and simply use. Standard on all machines Classic.

HP Tractor	15	20	25	30	35	40	45	50	Min. tractor weight lbs	Min. tractor width ft
T350S									1543	3'3"

Working positions

		T350S
A	ft	11'11"
C	ft	4'7"
D	ft	7'0"
F	ft	4'4"
G	ft	15'3"
I	ft	3'7"
L	ft	4'12"
M	ft	1'2"
N	ft	0'12"
O	ft	9'8"
P	ft	7'9"
Q	ft	8'10"
S	ft	5'8"
T	ft	12'10"
V	ft	4'2"
Z	ft	6'8"





SIMPLY. THE MOWER

TECHNICAL DATA

Model	Max horizontal reach*	Weight	Three point linkage	Pressure	Required oil flow	Rotor	Flail head angle
	<i>ft</i>	<i>lbs</i>	<i>Cat.</i>	<i>Psi</i>	<i>gal/min.</i>	<i>Rpm</i>	
T350S	11'10"	507	I - II	2030	5.90	-	228°

* Reach measured from tractor centre line to head edge.

MACHINES WITH CABLE CONTROLS "CLASSIC"

Model	Suggested Retail - \$
T350S with cutterbar for hedges CS150	10,846

OPTION AT AN EXTRA CHARGE DELIVERED SEPARATELY AS A KIT **

	Suggested Retail - \$
Stabilizers to the tractor (code TST5017)	361
"Delta yoke" for stabilizers (cod. TD3703)	361
Stabilizers for "Delta yoke" (cod. TGA4611)	321

** Installation not included - separate packing

FLAIL HEAD	CS150
Rod lenght (ft)	4'11"
Weight (lbs)	110

**CS 150
Cutter bar**



Flails

Description

Cutter bar for hedges
Ø max 1/2"

• Attachment to the tractor 3 point hitch: at dealer's charge. It includes: fitting of the 'delta bracket' and adaption of the stabilizers to the tractor 3 point hitch, fitting of the controls in the cabine and Pto shaft fitting


Equipped with:

- 3 point ISO universal linkage CAT 1 and 2.
- Dendendent hydraulic system.
- Cable controls (Classic).
- Arms with circular section H.T.R.
- (High Torsion Resistance).
- 2 parking stands.
- Accident prevention protections according to EC directives.
- Cutter bar CS150 with 32cc motor.
- Packaging on crate included

WARNING



It is RECOMMENDED that you connect the equipment to the tractor and start it up for the first time together with your Dealer, following the instructions and paying attention to the warnings indicated in our use and maintenance manual. If you require further information, please contact our after sales service.

 For Set-up times please check page 44

HP 10 available cutter bar



SIMPLY. THE MOWER

T350SI

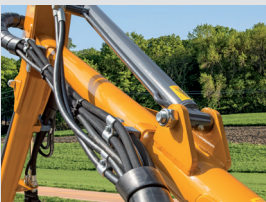
BOOM MOWERS WITH HEDGES CUTTERBAR FOR GREEN AREA LIGHT GREEN MAINTENANCE



Independent hydraulic system.



STC (Self Tilt Control) automatic recognition of the vertical and / or horizontal cutter bar position and self-maintenance of the acquired position by means of a button placed on the joystick (standard with SP Tronic Controls).



Arms with circular section H.T.R. (High Torsion Resistance).



Cutter bar for hedges CS150.

Arms with circular section H.T.R. (High Torsion Resistance)

Distributor cover (only in the SP Tronic version)



Left hand operation



Independent hydraulic system

Cutter bar for hedges CS150

classic

Cable controls

Reliability and simply use. Standard on all machines Classic.



SP-Tronic

Simple Proportional Tronic

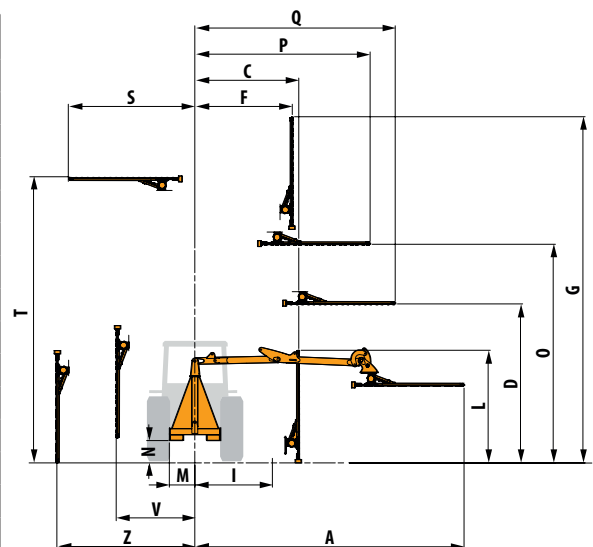
Proportional electric control with 3 proportional functions, electric starter of the hedgetrimmer, emergency stop and automatic control of the inclination of the hedgetrimmer bar by means of a button on the joystick.



HP Tractor	15	20	25	30	35	40	45	50	Min. tractor weight lbs	Min. tractor width ft
T350SI									1984	3'3"

Working positions

		T350SI
A	ft	11'11"
C	ft	4'7"
D	ft	7'0"
F	ft	4'4"
G	ft	15'3"
I	ft	3'7"
L	ft	4'12"
M	ft	1'2"
N	ft	0'12"
O	ft	9'8"
P	ft	7'9"
Q	ft	8'10"
S	ft	5'8"
T	ft	12'10"
V	ft	4'2"
Z	ft	6'8"





SIMPLY. THE MOWER

TECHNICAL DATA

Model	Max horizontal reach*	Weight	Three point linkage	Rotor	Flail head angle
	<i>ft</i>	<i>lbs</i>	<i>Cat.</i>	<i>Rpm</i>	
T350SI	11'10"	705	I - II	-	228°

* Reach measured from tractor centre line to head edge.

MACHINES WITH CABLE CONTROLS "CLASSIC"

Model	Suggested Retail - \$
T350SI with cutterbar for hedges CS150	15,294

MACHINES WITH "SP TRONIC" CONTROLS

Model	Suggested Retail - \$
T350SI with cutterbar for hedges CS150	21,585

OPTION AT AN EXTRA CHARGE DELIVERED SEPARATELY AS A KIT **

	Suggested Retail - \$
Stabilizers to the tractor (code TST5017)	361
"Delta yoke" for stabilizers (cod. TD3703)	361
Stabilizers for "Delta yoke" (cod. TGA4611)	321

** Installation not included - separate packing

FLAIL HEAD	CS150
Rod length (ft)	4'11"
Weight (lbs)	110

**CS 150
Cutter bar**



Flails

Description

Cutter bar for hedges
Ø max 1/2"

• Attachment to the tractor 3 point hitch: at dealer's charge. It includes: fitting of the 'delta bracket' and adaption of the stabilizers to the tractor 3 point hitch, fitting of the controls in the cabine and Pto shaft fitting

Equipped with:

- 3 point ISO universal linkage CAT 1 and 2.
- Independent hydraulic system.
- Cable controls (Classic).
- Proportional electronic control (Simple Proportional Tronic
- STC: automatic cutter bar grade control (only in the SP Tronic version).
- Arms with circular section H.T.R. (High Torsion Resistance).
- Gearbox and hydraulic poms straight from tractor pdf.
- Distributor cover (only in the SP Tronic version).
- 3 parking stands.
- Accident prevention protections according to EC directives.
- Cutter bar CS150 with 100 cc motor.
- Packaging on crate included

WARNING



It is RECOMMENDED that you connect the equipment to the tractor and start it up for the first time together with your Dealer, following the instructions and paying attention to the warnings indicated in our use and maintenance manual. If you require further information, please contact our after-sales service.

For Set-up times please check page 44

HP 20 available to the rotor
HP 31 max to hydraulic motor



SIMPLY. THE MOWER

T250A T320A

BOOM MOWERS FOR AGRICULTURE AND LIGHT GREEN MAINTENANCE

Totally independent hydraulic system with twin pumps

Drop forged parts for arm linkages

Circular section power arms High Torsion Resistance

Inner lining

Reversible rotor

Adjustable rear roller

Gear pump

Drop forged parts for arm linkages

Mechanical breakaway

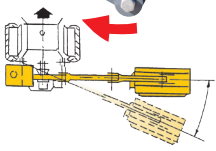
Gear motor



Floating head system



Adjustable rear roller



Mechanical breakaway



Circular section power arms High Torsion Resistance



Drop forged parts for arm linkages



Oil cooler with thermostat (optional)



classic
Cable controls
Reliability and simply use.
Standard on all machines
Classic.



electra Full
Monolever electric control
with rotor's electric switch

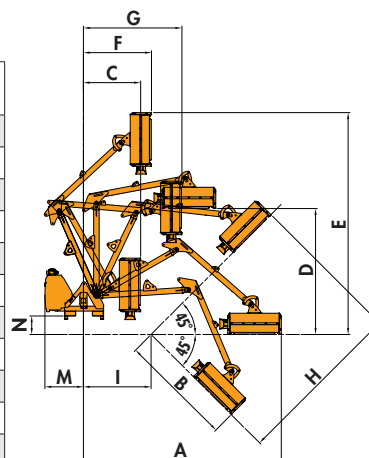


Suitable for tractors with reversible drive.

HP Tractor	20	25	30	35	40	Min. tractor weight lbs	Min. tractor width ft
T250A	[Green bar]					1543	3'3"
T320A		[Green bar]				1984	3'11"
T320A/R		[Green bar]				1984	3'11"

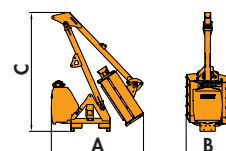
Working positions

Model Flailhead	T250A TME60	T320A TME80
A	ft 8'3"	10'7"
B	ft 3'8"	6'11"
C	ft 3'7"	2'11"
D	ft 5'8"	6'2"
E	ft 9'4"	11'11"
F	ft 3'5"	3'4"
G	ft 4'7"	5'5"
H	ft 6'8"	9'1"
I	ft 3'7"	3'7"
M	ft 2'0"	2'0"
N	ft 0'11"	0'11"



Transport dimensions

Model Flailhead	T250A TME60	T320A TME80
A	ft 4'10"	4'11"
B	ft 2'3"	2'3"
C	ft 5'1"	6'4"





SIMPLY. THE MOWER

TECHNICAL DATA

Model + Flail head	Max horizontal reach* ft	Weight incl. Flail head lbs	Articulated Y flails n.	Hydraulic oil gal	Rotor Rpm	PTO MAX Rpm	Flailhead angle °
T250A + TME60	8'3"	749	32	15.8	3200	540	190°
T320A + TME80	10'7"	816	40	15.8	3200	540	190°
T320A/R + TME80	10'7"	816	40	15.8	3200	540	190°

* Reach measured from tractor centre line to head edge.

MACHINES WITH CABLE CONTROLS "CLASSIC"

Model and Flail head	Suggested Retail - \$
T250A with flail head TME60	17,598
T320A with flail head TME80	18,279
Version for reversible drive	
T320A/R with flail head TME80	18,800

MACHINES WITH ELECTRIC CONTROLS "ELECTRA-FULL" WITH ROTOR'S ELECTRIC SWITCH

Model and Flail head	Suggested Retail - \$
T250A with flail head TME60	27,394
T320A with flail head TME80	28,096
Version for reversible drive	
T320A/R with flail head TME80	28,637

OPTIONS AT AN EXTRA CHARGE DELIVERED SEPARATELY AS A KIT (NOT MOUNTED) **

	Length Inch.	Suggested Retail - \$
TST5017 Stabilizers to the tractor (any model)	25" - 35"	361
TD3703 Delta Yoke for stabilizers		361
TGA4611 Stabilizers for Delta Yoke	18" - 28"	321
T25001 Oil cooler for T250A		1,883
T32008 Oil cooler for T320A e T320A/R		1,883

** All options ordered will be shipped separately and relevant mounting as per owner's manual instruction will be at dealer's charge.

FLAIL HEAD	TME60	TME80
Width (ft)	1'12"	2'7"
Rotor speed (rpm)	3200	3200
Blade tip speed (ft/sec)	167'	167'
Flail head angle	190°	190°
Weight (lbs)	154	176

TME
Direct drive



Flails TME

Description

Articulated Y blades for: grass and bushes Ø max 3/4"



Cod. 0901133

TME60	TME80
n° 32	n° 40

• Attachment to the tractor 3 point hitch: at dealer's charge. It includes: fitting of the 'delta bracket' and adaption of the stabilizers to the tractor 3 point hitch, fitting of the controls in the cabine and Pto shaft fitting

Equipped with:

- Flail head
- CAT I – II lower linkages
- Cable or electric control depending from the elected version
- Mechanical breakaway
- Independent hydraulic System
- Flail head direct drive
- Bidirectional and reversible rotor
- 2 parking stands
- Floating Head System to follow ground contours
- Front and rear abrasion resistant guard on the flail head
- Adjustable rear roller
- Inner lining
- Aluminium bidirectional hydraulic motor
- Oil and PTO shaft
- Packaging on crate included

WARNING



It is RECOMMENDED that you connect the equipment to the tractor and start it up for the first time together with your Dealer, following the instructions and paying attention to the warnings indicated in our use and maintenance manual. If you require further information, please contact our after sales service.

For Set-up times please check page 44



SIMPLY. THE MOWER



Circular section of the arms H.T.R. (High Torsion Resistance)



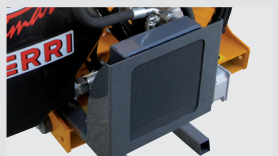
Drop forged parts



Floating system



Mechanical breakaway (arm protection in case of obstacles)



Oil cooler with thermostat

T380D T430D

SMART SMART

HP 20 available to the rotor
HP 31 max to hydraulic motor

BOOM MOWERS FOR AGRICULTURE AND LIGHT GREEN MAINTENANCE



Cable controls

Reliability and simply use. Standard on all machines Classic.



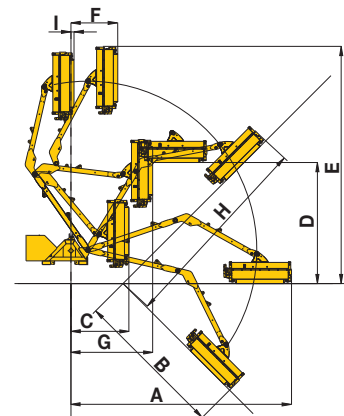
Electra Full

Monolever electric control with rotor's electric switch

HP Tractor	40	50	60	70	Min. tractor weight lbs	Min. tractor width ft
T 380D Smart	[Green bar]				3747	4'11"
T 430D Smart		[Green bar]			4409	5'6"
T 430DR Smart		[Green bar]			4409	5'6"

Working positions

		T 380D	T 430D
A	ft	12'7"	14'2"
B	ft	7'11"	9'6"
C	ft	2'10"	3'11"
D	ft	7'4"	8'4"
E	ft	13'9"	15'5"
F	ft	3'9'	2'10"
G	ft	5'0"	5'7"
H	ft	11'2"	12'9"



TECHNICAL DATA

Model	Max horizontal reach* ft	Weight lbs	Three point linkage Cat.	Oil gal	Rotor Rpm	Pto MAX Rpm	Flail head angle
T380D Smart	12'7"	1080	I - II	18.5	3000	540	190°
T430D Smart	14'2"	1091	I - II	18.5	3000	540	190°
T430DR Smart	14'2"	1091	I - II	18.5	3000	540	190°

* Reach measured from tractor centre line to head edge.

MACHINES WITH CABLE CONTROLS "CLASSIC"

Model	Suggested Retail - \$
T380D Smart with flail head TID100	19,251
T430D Smart with flail head TID100	20,032
Version for reversible drive	
T430DR Smart with flail head TID100	20,793

MACHINES WITH ELECTRIC CONTROLS "ELECTRA-FULL"

Model	Suggested Retail - \$
T380D Smart Electra Full with flail head TID100	26,818
T430D Smart Electra Full with flail head TID100	27,599
Version for reversible drive	
T430DR Smart Electra Full with flail head TID100	28,400

COMPLETING EQUIPMENT TO THE BASE MACHINE AT EXTRA CHARGE

	Length Inch.	Suggested Retail - \$
Stabilizers to the tractor (code TST5017)	25" - 35"	361
"Delta yoke" for stabilizers (cod. TD3703)		361
Stabilizers for "Delta yoke" (cod. TGA4611)	18" - 28"	321

OPTION AT AN EXTRA CHARGE DELIVERED SEPARATELY AS A KIT **

	Suggested Retail - \$
Oil cooler with thermostat (cod.T43003)	1,843
Lift float (LFA mechanic) (cod.T43004)	501

** All options ordered will be shipped separately and relevant mounting as per owner's manual instruction will be at dealer's charge.



FLAIL HEAD	TID100
Width (ft)	3'3"
Rotor speed (rpm)	3000
Blade tip speed (ft/sec)	196
Flail head angle	190°
Weight (lbs)	284

TID100
Direct drive



Flails TID 100

Interchangeable on the same rotor

Multi-use and straight blades for: grass, shrubs, bushes, sticks, wood Ø max 1 1/4"	Articulated Y blades for: grass, shrubs, Ø max 3/4"
	
Cod. 0901158 + Cod. 0901159	Cod. 0901049
n° 36 + 18	n° 36
Standard	No extra charge

• Attachment to the tractor 3 point hitch: at dealer's charge. It includes: fitting of the 'delta bracket' and adaption of the stabilizers to the tractor 3 point hitch, fitting of the controls in the cabine and Pto shaft fitting



SIMPLY. THE MOWER


Equipped with:

- Flail head
- FLOATING head system
- Totally independent hydraulic (gear pump and motor)
- Circular section of the arms H.T.R. (High Torsion Resistance)
- Drop forged brackets for the arms
- Mechanical breakaway (arm protection in case of obstacles)
- Reversible rotor
- Front and rear abrasion resistant rubbercloth guard
- Oil and Pto shaft
- Packaging on crate included

WARNING



It is RECOMMENDED that you connect the equipment to the tractor and start it up for the first time together with your Dealer, following the instructions and paying attention to the warnings indicated in our use and maintenance manual. If you require further information, please contact our after sales service.

 For Set-up times please check page 44

HP 35 available to the rotor
HP 45 max to hydraulic motor



SIMPLY. THE MOWER

T460

SMART

BOOM MOWERS FOR AGRICULTURE AND GREEN AREAS



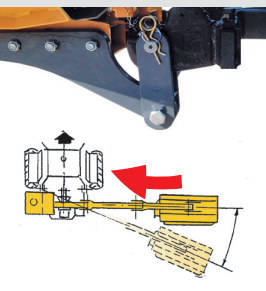
Drop forged parts.



Floating head system



Group 3 cast iron hydraulic rotor pump



Mechanical breakaway (arm protection in case of obstacles)



Oil cooler with thermostat (option).



Cable controls

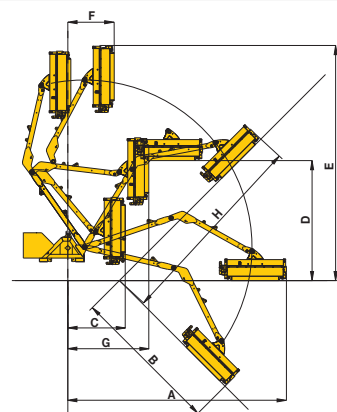
Reliability and simply use.
Standard on all machines
Classic.



HP Tractor	50	60	70	Min. tractor weight lbs	Min. tractor width ft
T460 Smart				4850	5'11"

Working positions

		T460 Smart
A	ft	15'1"
B	ft	10'4"
C	ft	3'9"
D	ft	7'6"
E	ft	16'3"
F	ft	3'1"
G	ft	5'4"
H	ft	13'9"





SIMPLY. THE MOWER

TECHNICAL DATA

Model	Max horizontal reach*	Weight	Three point linkage	Oil	Rotor	Pto	Flail head angle
	ft	lbs	Cat.	gal	Rpm	MAX Rpm	
T460 Smart	15'1"	1279	II	31.7	3100	540	190°

* Reach measured from tractor centre line to head edge.

MACHINES WITH CABLE CONTROLS "CLASSIC"

Model	Suggested Retail - \$
T460 Smart with flail head TID100	20,433

COMPLETING EQUIPMENT TO THE BASE MACHINE AT EXTRA CHARGE

WARNING: due to the high offset loads on the linkages it is necessary to fit two stabilizers

	Length Inch.	Suggested Retail - \$
Stabilizers to the tractor (code TST5017)	25" - 35"	361
"Delta yoke" for stabilizers (cod. OPT001121000)		561
Stabilizers for "Delta yoke" (cod. TGA4611)	18" - 28"	321
Top link (cod. TGA5014)	13" - 18"	260

OPTION AT AN EXTRA CHARGE DELIVERED SEPARATELY AS A KIT **

	Suggested Retail - \$
Oil cooler with thermostat (cod.TM46002)	2,124
Lift float (LFA mechanic) (cod. TM46003)	491
Bumpers with illumination system (cod. TM46008)	1,262

** All options ordered will be shipped separately and relevant mounting as per owner's manual instruction will be at dealer's charge.

FLAIL HEAD



	TID100
Width (ft)	3'3"
Rotor speed (rpm)	3000
Blade tip speed (ft/sec)	196
Flail head angle	190°
Weight (lbs)	284

TID100
Direct drive



Flails TID 100

Interchangeable on the same rotor

Multi-use and straight blades for: grass, shrubs, bushes, sticks, wood Ø max 1 1/4"	Articulated Y blades for: grass, shrubs, Ø max 3/4"
	
Cod. 0901158 + Cod. 0901159	Cod. 0901049
n° 36 + 18	n° 36
Standard	No extra charge

• Attachment to the tractor 3 point hitch: at dealer's charge. It includes: fitting of the 'delta bracket' and adaption of the stabilizers to the tractor 3 point hitch, fitting of the controls in the cabine and Pto shaft fitting


Equipped with:

- Flail Head
- FLOATING head system
- Totally independent hydraulic system
- Cast iron hydraulic rotor pump group 3
- Cast iron motor
- Mechanical breakaway (arm protection in case of obstacles)
- Reversible rotor
- Front and rear abrasion resistant guard
- Oil and Pto shaft
- Packaging on crate included

WARNING



It is RECOMMENDED that you connect the equipment to the tractor and start it up for the first time together with your Dealer, following the instructions and paying attention to the warnings indicated in our use and maintenance manual. If you require further information, please contact our after sales service.

 For Set-up times please check page 44

HP 35 available to the rotor
HP 45 max to hydraulic motor



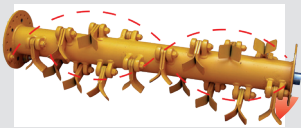
SIMPLY. THE MOWER



BOOM MOWERS FOR AGRICULTURE AND GREEN AREAS



Floating head system



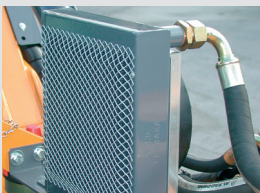
"Overlap" spiral rotor with two spiral rows



Drop forged brackets for the arms



Drop forged lever for flail head rotation



Oil cooler with thermostat (option)



Cable controls

Reliability and simply use. Standard on all machines Classic.



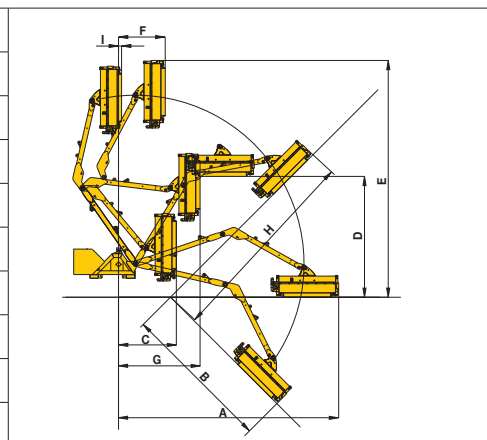
Electra Full

Monolever electric control with rotor's electric switch

HP Tractor	50	60	70	80	Min. tractor weight lbs	Min. tractor width ft.
TM46 Farm					5512	5'11"

Working positions

		TM46 Farm
A	ft	15'3"
B	ft	10'5"
C	ft	4'0"
D	ft	8'5"
E	ft	16'5"
F	ft	3'3"
G	ft	5'8"
H	ft	13'11"
I	ft	0'3"



TECHNICAL DATA

Model	Max horizontal reach* ft.	Weight lbs	Three point linkage Cat.	Oil gal	Rotor Rpm	Pto MAX Rpm	Flail head angle
TM46 Farm	15'3"	1713	II	33	3.100	540	190°

* Reach measured from tractor centre line to head edge.

MACHINES WITH CABLE CONTROLS "CLASSIC"

Model	Flails	Suggested Retail - \$
TM46 Farm with flail head TI120	no. 44 multiuse Y blades A	24,830
TM46 Farm with flail head TI120	no. 22 "T" hammers G	25,511

MACHINES WITH ELECTRIC CONTROLS "ELECTRA-FULL"

Model	Flails	Suggested Retail - \$
TM46 Farm Electra Full with flail head TI 120	no. 44 multiuse blades A	32,617
TM46 Farm Electra Full with flail head TI 120	no. 22 "T" hammers G	33,319

COMPLETING EQUIPMENT TO THE BASE MACHINE AT EXTRA CHARGE

WARNING: due to the high offset loads on the linkages it is necessary to fit two stabilizers	Length Inch.	Suggested Retail - \$
Stabilizers to the tractor (code TST5017)	25" - 35"	361
"Delta yoke" for stabilizers (code OPT001121000)		561
Stabilizers for "Delta yoke" (code TGA4611)	18" - 28"	321
Top link (cod. TGA5014)	13" - 18"	260

OPTION AT AN EXTRA CHARGE DELIVERED SEPARATELY AS A KIT **

	Suggested Retail - \$
Oil cooler with thermostat (code TM5604)	2,104
Lift float (code TM5606)	491
Bumpers with illumination system (code TM4602)	1,262



** All options ordered will be shipped separately and relevant mounting as per owner's manual instruction will be at dealer's charge.

FLAIL HEAD	TI 120
Width (ft)	3'11"
Rotor speed (rpm)	3100
Blade tip speed (ft/sec)	196
Flail head angle	190°
Weight (lbs)	463



Flails TI 120

Interchangeable on the same rotor

Multiuse "Y" blades for: grass, bushes, shrubs, sticks, woods Ø max 1 1/4"	"T" Hammer for woods Ø max 1 3/4"
 A	 G
Cod. 0901146	Cod. 0901147

• Attachment to the tractor 3 point hitch: at dealer's charge. It includes: fitting of the 'delta bracket' and adaption of the stabilizers to the tractor 3 point hitch, fitting of the controls in the cabine and Pto shaft fitting



SIMPLY. THE MOWER


Equipped with:

- Flail head
- Totally independent hydraulic system
- FLOATING head system
- Drop forged parts for arms linkage and flail head rotation
- Mechanical breakaway
- Reversible rotor by cable
- Front and rear abrasion resistant guard
- Oil and Pto shaft
- Packaging on crate included

WARNING



It is RECOMMENDED that you connect the equipment to the tractor and start it up for the first time together with your Dealer, following the instructions and paying attention to the warnings indicated in our use and maintenance manual. If you require further information, please contact our after sales service.

 For Set-up times please check page 44

HP 35 available to the rotor
HP 45 max to hydraulic motor



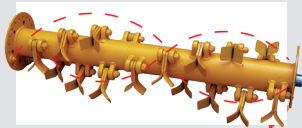
SIMPLY. THE MOWER



BOOM MOWERS FOR AGRICULTURE AND GREEN AREAS



Floating head system



"Overlap" spiral rotor with two spiral rows



Frame "DELTA BOX" (forces shared and balanced)



Drop forged parts



Pressurized oil tank (protection cover available on EP-Tronic controls version ONLY)

Pressurized oil tank (protection cover available on EP-Tronic controls version ONLY)

Drop forged leverage for flail head rotation

Frame "Delta Box" (forces shared and balanced)

Cast iron gear pump

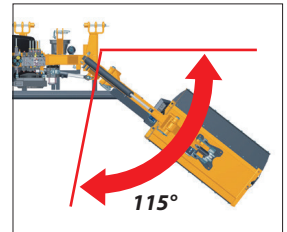
Two independent hydraulic systems

Hydraulic break-back on power slew ram with max relief valves

Drop forged leverage for flail head rotation

Cast iron gear motor

Adjustable rear roller



Hydraulic breakaway on power slew ram with maximum pressure valve (protects arms in the event of obstacles)

Reversible rotor by cable



Cable controls
Reliability and simply use. Standard on all machines Classic.

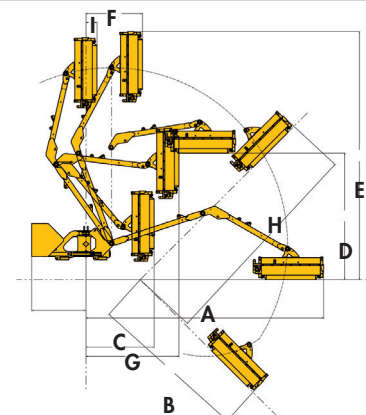


Proportional electrical control with electric rotor management.
The EP Tronic control allows for easy portability of the cab control thanks to a light joystick and the lack of hydraulic hoses. The joystick is connected with an electrical cable to a control unit mounted on the distributor valves. The action is precise for cross movements of the first and second booms. The rotation direction of the rotor is controlled by electric switches on the console.

HP Tractor	60	70	80	90	Min. tractor weight lbs	Min. tractor width ft
TP510 Farm					6614	6'7"
TP610 Farm					7050	7'3"

Working positions

		TP510 Farm	TP610 Farm
		TI 120	TI 120
A	ft	15'9"	19'5"
B	ft	10'7"	14'2"
C	ft	4'6"	4'7"
D	ft	8'5"	10'10"
E	ft	16'6"	20'2"
F	ft	3'9"	3'9"
G	ft	6'2"	7'1"
H	ft	14'5"	18'
I	ft	0'8"	0'5"



TECHNICAL DATA

Model	Max horizontal reach* ft	Weight lbs	Three point linkage Cat.	Oil gal	Rotor Rpm	Pto MAX Rpm	Flail head angle
TP510 Farm	15'9"	1984	II	36	3100	540	190°
TP610 Farm	19'5"	2094	II	36	3100	540	190°

* Reach measured from tractor centre line to head edge.

MACHINES WITH CABLE CONTROLS "CLASSIC"

Model	Flails		Suggested Retail - \$
TP510 with flail head TI 120	no. 44 multiuse Y blades	A	34,965
TP510 with flail head TI 120	no. 22 "T" hammers	G	35,646
TP610 with flail head TI 120	no. 44 multiuse Y blades	A	36,187
TP610 with flail head TI 120	no. 22 "T" hammers	G	36,889

MACHINES WITH PROPORTIONAL ELECTRICAL CONTROL "EP TRONIC"

Model	Flails		Suggested Retail - \$
TP510 with flail head TI 120	no. 44 multiuse Y blades	A	45,072
TP510 with flail head TI 120	no. 22 "T" hammers	G	45,774
TP610 with flail head TI 120	no. 44 multiuse Y blades	A	46,275
TP610 with flail head TI 120	no. 22 "T" hammers	G	46,956

COMPLETING EQUIPMENT TO THE BASE MACHINE AT EXTRA CHARGE

	Length Inch.	Suggested Retail - \$
WARNING: due to the high offset loads on the linkages it is necessary to fit two stabilizers		
Stabilizers to the tractor (cod. TGA5020)	25" - 35"	361
"Delta yoke" for stabilizers (code OPT001121000)		561
Stabilizers for "Delta yoke" (code TSN5033)	18 1/2" - 28 1/4"	361
Top link (cod. TGA5014)	13" - 18"	260

OPTION AT AN EXTRA CHARGE (FACTORY FITTED)



	Suggested Retail - \$
Bumpers with illumination system (code TSP5016/02)	1,314

FLAIL HEAD	TI120
Cutting width (ft)	3'11"
Rotor speed (rpm)	3100
Blade tip speed (ft/sec)	196
Flail head angle	190°
Weight (lbs)	463



Flails TI 120

Interchangeable on the same rotor

Multiuse "Y" blades for: grass, bushes, shrubs, sticks, woods Ø max 1 1/4"	"T" Hammer for woods Ø max 1 3/4"
 A	 G
Cod. 0901146	Cod. 0901147

• Due to transport in containers, big models like TP61 and TXV will be supplied partially disassembled. Reassembling as per Ferri instruction booklet will be at dealers charge
 • Attachment to the tractor 3 point hitch will also be at dealer's charge. It includes: fitting of the "delta bracket" and adaption of the stabilizers to the tractor 3 point hitch, fitting of the controls in the cabine and Pto shaft fitting.
 • Lift float kit and the oil cooler kit could be shipped with the machine but not mounted. In which case the mounting according to Ferri Owner's manual instruction will be at dealer's charge.



SIMPLY. THE MOWER


Equipped with:

- Flail Head
- Totally independent hydraulic system (worm cast iron pump and motor)
- FLOATING head system
- Drop forged parts for arms linkage and flail head rotation
- Hydraulic break-back on power slew ram with max relief valve
- Pressurized oil tank (protection cover available on EP-Tronic controls version ONLY)
- Oil cooler with thermostat
- Mechanic roll-over protection system (SAB)
- Reversible rotor by cable (DSR)
- Front and rear abrasion resistant guard for flail head
- Lift float kit
- Oil and Pto shaft

WARNING



It is RECOMMENDED that you connect the equipment to the tractor and start it up for the first time together with your Dealer, following the instructions and paying attention to the warnings indicated in our use and maintenance manual. If you require further information, please contact our after sales service.

 For Set-up times please check page 44

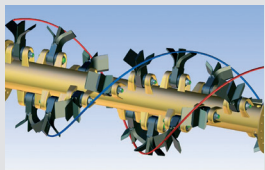
HP 49 available to the rotor
HP 63 max to hydraulic motor



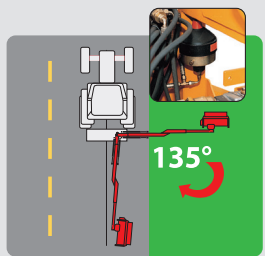
SIMPLY. THE MOWER



Floating head system



"OVERLAP" spiral rotor with two spiral rows



Hydraulic break-back with accumulator controlled autoreset facility



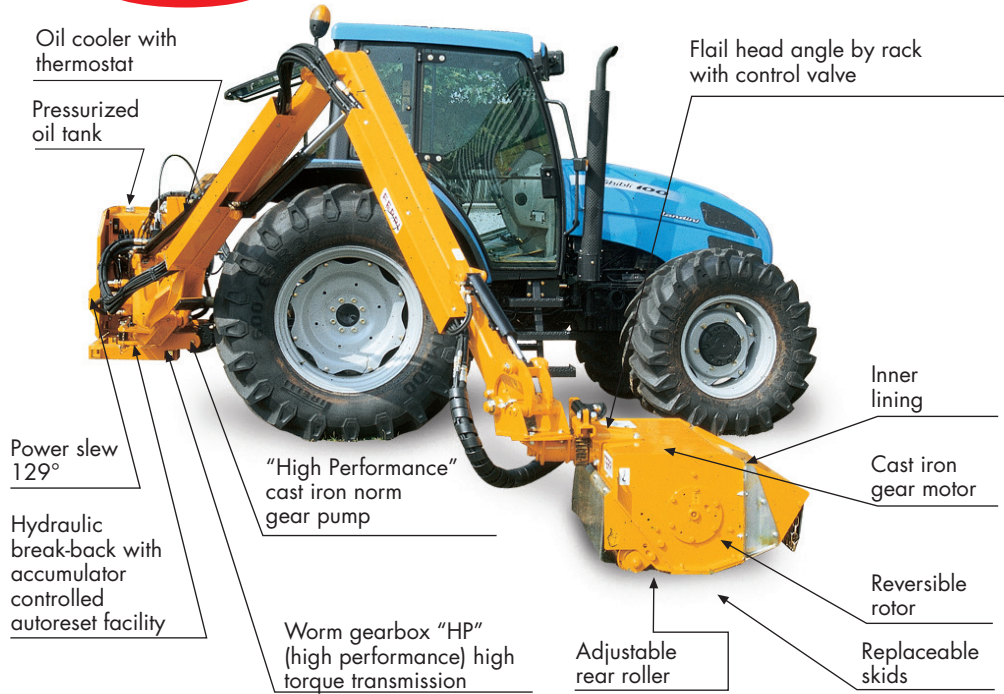
Oil cooler with thermostat



Prepared beforehand to work in the classic rear position



PROFESSIONAL BOOM MOWERS FOR MUNICIPAL GROUNDS MAINTENANCE



Electro-Hydraulic proportional controls

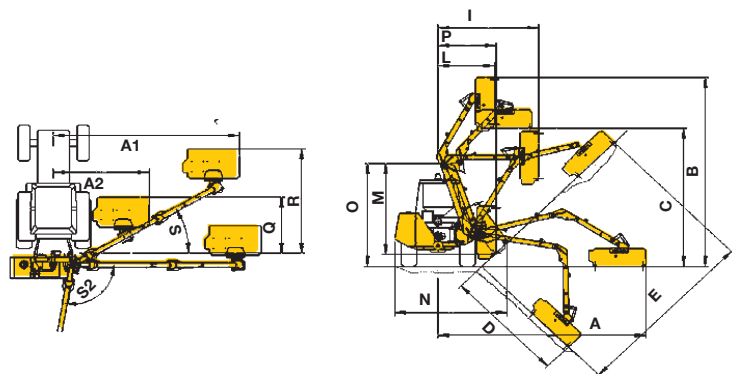
The 2 hydraulic distributors are controlled and operated by a mixed system. The Joystick runs the hydraulic low pressure proportional movements of the first and second arm. Power slew, flail head rotation and the telescopic extension (only for telescopic models) are electrically controlled; and easily reachable switches are located on the joystick. Rotor bidirectional rotation and stop are cable controlled (OPTION)



HP Tractor	80	90	100	110	Min. tractor weight lbs	Min. tractor width ft.
TXV 50					7500	6'11"
TXV 60					8000	7'7"

Working positions

	TXV 50	TXV 60
A	ft 17'2"	20'6"
A1	ft 15'5"	18'2"
A2	ft 7'11"	7'11"
B	ft 16'11"	20'1"
C	ft 13'3"	16'6"
D	ft 10'2"	13'1"
E	ft 15'7"	18'10"
I	ft 8'5"	9'7"
L	ft 4'7"	4'11"
M	ft 8'0"	9'8"
N	ft 8'10"	8'10"
O	ft 9'2"	10'10"
P	ft 4'10"	4'10"
Q	ft 4'11"	4'11"
R	ft 9'3"	10'10"
S	30°	30°
S2	129°	129°



TECHNICAL DATA

Model	Max horizontal reach* ft.	Weight lbs	Three point linkage Cat.	Oil gal	Rotor Rpm	Pto MAX Rpm	Flail head angle
TXV50 Energy	15'5"-17'2"	2755	II	55	3000	540	235°
TXV60 Energy	18'2"-20'6"	2855	II	55	3000	540	235°

* Reach measured from tractor centre line to head edge.

MACHINES WITH ELECTRO-HYDRAULIC PROPORTIONAL CONTROLS "COMFORT"

Model		Suggested Retail - \$
TXV50 Energy with flail head TN120	A	58,245
TXV50 Energy with flail head TN120	G	58,646
TXV60 Energy with flail head TN120	A	60,348
TXV60 Energy with flail head TN120	G	60,729

COMPLETING EQUIPMENT TO THE BASE MACHINE AT EXTRA CHARGE

WARNING: due to the high offset loads on the linkages it is necessary to fit two stabilizers	Length Inch.	Suggested Retail - \$
1 Top link (cod. TGA5018)	13" - 18"	361
1 set of short stabilizers recommended with Delta Bracket (cod. TSN5033)	18 1/2" - 28 1/4"	361
1 Top link (cod. TGA5019)	19" - 28"	313
1 set of standard stabilizers to the tractor (cod. TGA5020)	27" - 35"	561
Delta Bracket (cod. OPT001121000)		561

OPTION AT AN EXTRA CHARGE

	Suggested Retail - \$
Rear axle rigid fitting system recommended for TXV60 (cod. ARK200)	5,409



FLAIL HEAD	TN120
Width (ft)	3'11"
Rotor speed (rpm)	3000
Blade tip speed (ft/sec)	196
Flail head angle	235°
Weight (lbs)	628

TN120
Direct drive



Flails TN120

Interchangeable on the same rotor

Multiuse "Y" and straight blades for grass, bushes, shrubs, sticks, wood Ø max 1 3/4"	T" Hammer blades for wood Ø max 2"
 A	 G
Cod. 0901003 Cod. 0901148	Cod. 0901141
36 + 18	18

• Due to transport in containers, big models like TP61 and TXV will be supplied partially disassembled. Reassembling as per Ferri instruction booklet will be at dealers charge
• Attachment to the tractor 3 point hitch will also be at dealer's charge. It includes: fitting of the "delta bracket" and adaption of the stabilizers to the tractor 3 point hitch, fitting of the controls in the cabine and Pto shaft fitting.
• Lift float kit and the oil cooler kit could be shipped with the machine but not mounted. In which case the mounting according to Ferri Owner's manual instruction will be at dealer's charge.



SIMPLY. THE MOWER


Equipped with:

- Flail head
- Totally independent hydraulic system
- FLOATING head system
- Worm gearbox "HP" (high performance) high torque transmission
- Hydraulic break-back with accumulator controlled autoreset facility
- 129° power slew
- Oil cooler with thermostat
- Reversible rotor by cable
- Front and rear abrasion resistant guard for flail head
- Pressure relief valve kit for rack on flail head
- Lift float kit
- Oil and pto shaft

WARNING



It is RECOMMENDED that you connect the equipment to the tractor and start it up for the first time together with your Dealer, following the instructions and paying attention to the warnings indicated in our use and maintenance manual. If you require further information, please contact our after sales service.

 For Set-up times please check page 44



SIMPLY. THE MOWER



FLAIL HEADS FOR MINI-LOADERS



Equipped with:

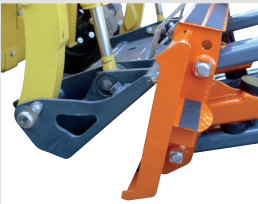
Unidirectional motor (with drainage)



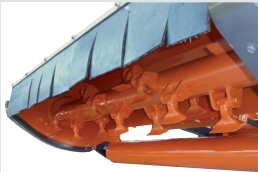
Parallel linkage for better floating on uneven grounds



Linkage SAEJ2513 with self levelling device










"Overlap" rotor



- Mechanical side shift
- Anti-shock + anticavitation valve
- Steel adjusting valve complete with pipes
- Hydraulic pipes and connections protected by spiral
- Belts transmission
- Adjustable skids with replaceable wear proof plates
- Rear adjustable roller Ø 6" 1/2
- Counterblade
- Rubber and abrasion resistant guard

55÷100 HP 14.3-20.9 Gal/min Ø max 2"

Mod.	 inches	 inches	 pounds	 Gal min÷max	 PSI	 n.	 n.
TSKID1800	71"	81"	1650	14.3÷17.6	2755-3045	18	54
TSKID2000	79"	89"	1720	16.5÷20.9	2755-3045	20	60

MACHINES



Model	Suggested Retail - \$
TSKID 1800	19,283
TSKID 2000	19,904

ACCESSORIES AT EXTRA CHARGE

Model	Suggested Retail - \$
11" (Lh & Rh) Side shift with hydraulic cylinder complete with pipes	681

Flails

Interchangeable on the same rotor

Hammer for wood and shrubs Ø max 2"	Multiuse flails for grass, bushes, shrubs, sticks, wood Ø max 1"1/2
	
Cod. 0901196	Cod. 0901146
TSKID 1600 n° 16 standard TSKID 1800 n° 18 standard TSKID 2000 n° 20 standard	TSKID 1600 n° 48 standard TSKID 1800 n° 54 standard TSKID 2000 n° 60 standard

HYDRAULIC FLAIL HEADS



TME
T250A - T320A Serie



TID
T380D - T430D - T460 Serie



TI
TM - TP Serie

Technical data

Model	Cutting width <i>In.</i>	Weight <i>lbs</i>	Suitable for <i>models</i>
TME60	24	154	T250A
TME80	32	176	T320A
TID100	39	284	T380D - T430D - T460
TI120	47	463	TM - TP

FLAIL HEAD

Model	Type of flail	N° Flail	Suggested Retail - \$
TME60	Articulated "Y" blades	32	4,438
TME80	Articulated "Y" blades	40	4,628
TID100	Multi-use and straight blades	36+18	6,481
	Articulated "Y" blades	36	6,481
TI120	Multiuse "Y" blades	44	9,236
	"T" hammer	22	9,927

Flails TME60 - TME80

Specific rotor

Articulated Y blades for:
grass, shrubs,
Ø max 1"



Cod. 0901133

Flails TID100

Interchangeable on the same rotor

Multi-use and straight blades
for: grass, shrubs, bushes,
sticks, wood
Ø max 1 1/4"



Cod. 0901133

Articulated Y blades for:
grass, shrubs,
Ø max 3/4"



Cod. 0901049

Flails TI120

Interchangeable on same rotor

Multiuse "Y" blades for grass,
shrubs, bushes, sticks, wood
Ø max 1 1/4"



Cod. 0901146

"T" hammer blades for woods
Ø max 1 3/4"



Cod. 0901147



SIMPLY. THE MOWER

Equipped with:



- Front and rear guard
- Adjustable rear roller
- Main housing with inner lining
- Reversible hydraulic motor in alluminium (TME - TID)
- Reversible hydraulic motor in cast iron (TI)
- Skids
- Replaceable wear skids (TI)

WARNING



It is RECOMMENDED that you connect the equipment to the tractor and start it up for the first time together with your Dealer, following the instructions and paying attention to the warnings indicated in our use and maintenance manual. If you require further information, please contact our after sales service.

FERRI[®]

SIMPLY. THE MOWER



Equipped with:

- Front guard ■
- Adjustable rear roller ■
- Double skin ■
- Reversible hydraulic motor ■
- Skids ■

PROFESSIONAL FLAIL HEADSTN120
TXV Serie**TECHNICAL DATA**

Model	Cutting width <i>In.</i>	Weight <i>lbs</i>	Suitable for <i>models</i>
TN120	47	628	TXV Energy

FLAIL HEAD

Model	Type of flail	N° Flail	Suggested Retail - \$
TN120	Multiuse blades	36	10,708
TN120	"T" hammer	18	11,099

Flails TN120**Interchangeable on same rotor**

Multiuse and straight flails for grass, shrubs, bushes, sticks, wood
Ø max 1" 3/4



Cod. 0901003 - Cod. 0901148

"T" hammer blades for woods
Ø max 2"



Cod. 0901141

INTERCHANGEABLE IMPLEMENTS FOR HYDRAULIC BOOM MOWERS



SIMPLY. THE MOWER

Equipped with:



- Hydraulic motor

TO BE NOTED



Mounting kit including hoses has to be specified with order according to the corresponding machine model.



CUTTER BAR TR13 – TR22

Max cut 3 1/4"
Width of cut:
51" (TR13)
87" (TR22)



CUTTER BAR CS150

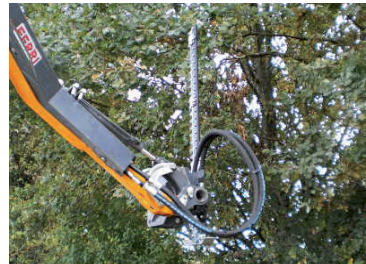
Hedge trimmer.

Max cut 1/2"
Width of cut: 59"



DITCH CLEANER FF45-FF60

For the maintenance
of ditches
Width 18" & 24"



CUTTER BAR CSP150

Hedge trimmer.

Max cut 1/2"
Width of cut: 59"

INTERCHANGEABLE IMPLEMENTS

Base model	+ Mounting kit	Suitable for	Flails N°	Weight (Lbs)	Width of cut (in)	Suggested Retail - \$
FF 45	+ FF 4501	TP	2 spattle/2blades	198	18	8.685
FF 60	+ FF 6003/03	TXV	2 spattle/4blades	308	24	11.840
CS 150/100	T32006 + T32010	T250A	Blades/Teeth	100	59	7.433
CS 150/100	T32006 + T32010	T320A	Blades/Teeth	110	59	7.433
CS 150/100	+ TM 5606	TM	Blades/Teeth	110	59	7.643
CS 150/100	+ CS 1503 + CS 1504	T460 - TP	Blades/Teeth	110	59	7.643
CSP 150	+ T 43014 + TD 4204	T380D T430D	Blades/Teeth	110	59	6.661
TR 13	+ TR 2202/01	TP	Teeth	375	51	18.551
TR 13	+ TR 2201/01	TXV	Teeth	375	51	18.872
TR 22	+ TR 2202/01	TP	Teeth	485	87	19.794
TR 22	+ TR 2201/01	TXV	Teeth	485	87	20.114



TRACTOR FITTINGS

SIMPLY. THE MOWER

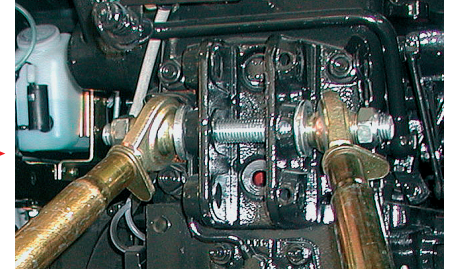
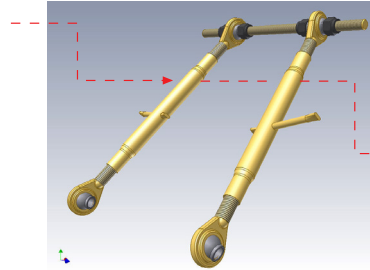


WARNING

Due to the high offset loads on the linkage, it is necessary to fit two stabilizers links between the frame and the tractor. On T and TM they are not necessary but still recommended.

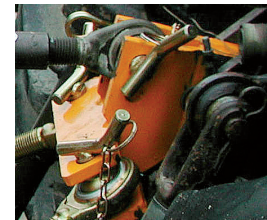
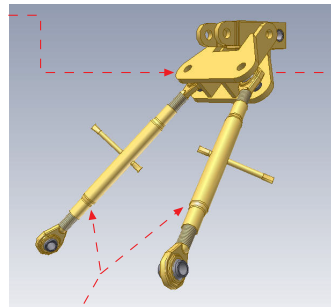
STABILIZERS

Boom mowers are mounted to the tractor using conventional 3-point linkage connection. Due to the high offset loads on the linkage it is necessary to fit two additional stabilizers link between the frame and the tractor. (standard stabilizers)



"DELTA" BRACKET FOR STABILIZERS

Generally stabilizers should be fixed at the tractor side in the top link area. If there is not any provision on the tractor to attach the stabilizer, the "DELTA" yoke will provide a location. The "DELTA" Yoke is available for the following models T, TM, TP. it requires specific stabilizers.

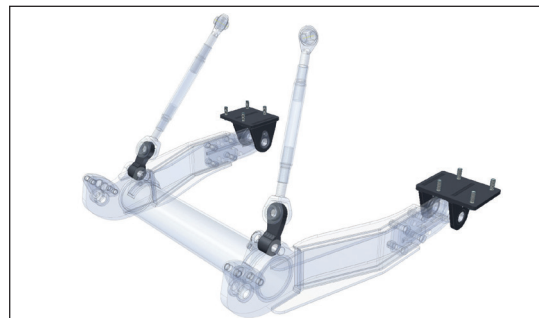


REAR AXLE RIGID FITTING SYSTEM

In case of very heavy equipments like TXV 50 and 60, we strongly recommend to fit the boom mower on axle brackets.

Thanks to such a rigid fitting system, we obtain a better stability of the boom mower both in transport and work.

For being the tractor axles different from make to make, the axle plates which are part of the fitting, need to be adapted to the specific tractor axle.



LIFT FLOAT DEVICE

The TP and TXV boom mowers will have fitted as standard the Lift Float Device, consisting of a nitrogen accumulator connected to the boom mower lift ram.

Once activated, the accumulator takes most the weight away from the flail head, which is left free to float up and down to better follow the ground contours



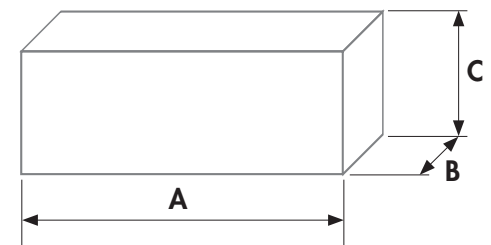
WEIGHTS & DIMENSIONS



SIMPLY. THE MOWER

Models	Dimensions in Inches			Flail head	Weight Lbs
	A	B	C		
MT140	63"	31"	39"	—	793
MT160	71"	31"	39"	—	882
MT180	79"	31"	39"	—	1014
MT200	87"	31"	39"	—	1102
MKD2300	102"	47"	59"	—	2195
MKD2500	120"	49"	59"	—	2485
MKD2800	120"	49"	59"	—	2570
ZME125	67"	26"	40"	—	690
ZME155	67"	26"	40"	—	739
ZMGE1400	75"	32"	50"	—	1283
ZMGE1600	83"	29"	51"	—	1283
ZMTE PRO 1600	83"	29"	51"	—	1585
ZMTE PRO 1800	91"	29"	51"	—	1614
ZMTE PRO 2000	98"	29"	51"	—	1666
ZTE2300	110"	32"	51"	—	1704
ZLE1600	83"	69"	47"	—	1555
ZLE1800	91"	69"	47"	—	1620
ZLE2000	99"	69"	47"	—	1685
ZLE PRO 1800	91"	69"	47"	—	1830
ZLE PRO 2000	99"	69"	47"	—	1896
ZLE PRO 2300	110"	69"	51"	—	2000
ZHE2500	122"	65"	57"	—	3197
T350S	75"	29"	76"	CS150	580
T350SI	75"	29"	76"	CS150	780
T250A	69"	29"	62"	TME60	689
T320A	69"	29"	86"	TME80	848
T380D	69"	29"	79"	TID100	1136
T430D	69"	29"	79"	TID100	1147
T460	95"	35"	89"	TID100	1323
TM46	95"	35"	83"	TI120	1950
TP510	102"	37"	83"	TI120	2116
TP610	102"	37"	83"	TI120	2248
TSKID1800	81"	54"	33"	—	1720
TSKID2000	89"	54"	33"	—	1790
TXV50	102"	37"	80"	—	2370
TN120*	51"	31"	28"	—	695
TXV60	102"	37"	80"	—	2469
TN120*	51"	31"	28"	—	695

* TN120 is the flailhead that belongs to TXV and is shipped on its own pallet.



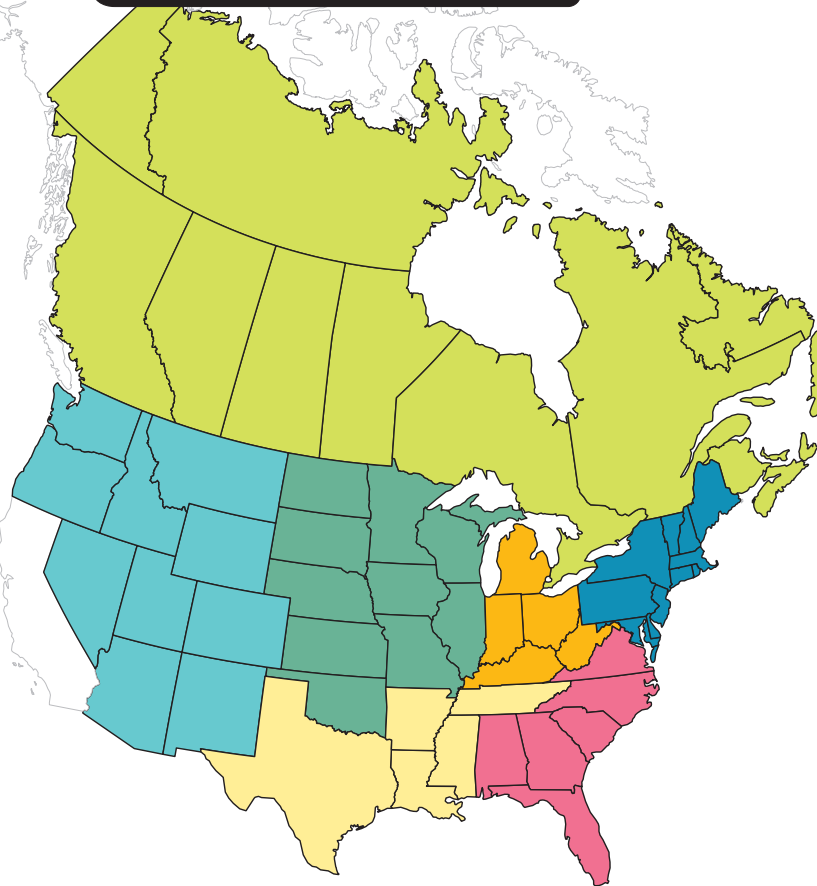
To be noted: wooden boxes can be put one on top of the other, furthermore a wooden box can hold a pallet. A pallet cannot hold any other machine on its top. Every consignment will be carefully analyzed in order to avoid loss of space and to optimize the load.

SET UP TIMES

	MODEL OF MOWER	WHAT NEEDS TO BE DONE TO INSTALL	TIME TO INSTALL
MOWERS	MT	Remove unit from pallet or crate. install three point loop. Install unit to tractor. Cut and install pto if needed.	1 hour
	MKD	Remove unit from pallet or crate. install three point loop. Install unit to tractor. Cut and install pto if needed.	1 hour
OFFSET/IN-LINE SLOPE MOWERS	ZME	Remove unit from skid or crate install ofset arms and three point loop. Install unit onto tractor and plug in hydraulics. Install pto and cut if needed.	2-3 hours, depending on how unit is packaged
	ZMGE		
	ZMTE PRO		
	ZTE		
	ZLE - ZLE PRO		
	ZHE		
BOOM MOWERS	T350S	Remove unit from skid or crate, install unit onto tractor and plug in hydraulics. Run controls up into cab and make mount for them.	2 hours
	T350SI	Remove unit from skid or crate, install unit onto tractor and plug in hydraulics. Run controls up into cab and make mount for them.	2 hours
	T250A	Remove unit from skid and remount lower hitch arms into position for mounting on tractor. Mount unit to tractor and install hydraulic pump onto pto output shaft and fasten to tractor so pump does not spin. Run controls up into cab and make mount for them.	2,5 hours
	T320A	Remove unit from skid and remount lower hitch arms into position for mounting on tractor. Mount unit to tractor then cut and install pto. Run controls up into cab and make mount for them.	2 hours
	T380D - T430D Smart	Remove unit from skid and remount lower hitch arms into position for mounting on tractor. Mount unit to tractor then cut and install pto. Run controls up into cab and make mount for them.	2 hours
	T460 Smart	Remove unit from skid and remount lower hitch arms into position for mounting on tractor. Mount unit to tractor then cut and install pto. Run controls up into cab and make mount for them.	2 hours
	TM 46 Farm	Remove unit from skid and remount lower hitch arms into position for mounting on tractor. Mount unit to tractor then cut and install pto. Run controls up into cab and make mount for them.	2 hours
	TP 510 Farm	Remove unit from skid and mount unit to tractor then cut and install pto. Run controls up into cab and make mount for them.	4-6 hours, depending on shop
	TP 610 Farm	Remove unit from skid and install boom to frame and main cylinder. Mount unit to tractor then cut and install pto. Run controls up into cab and make mount for them. Install head onto boom and mount hydraulic motor to head.	4-6 hours, depending on shop
	TXV 50/60	Remove unit from skid and install boom to frame and main cylinder. Mount unit to tractor then cut and install pto. Run controls up into cab and make mount for them. Install head onto boom and mount hydraulic motor to head.	4-6 hours, depending on shop
	TXV 50/60	Rear axle rigid fitting system installation (as an option)	4-6 hours, depending on shop

FERRI®

North American Sales Organization



Ohio

Hayward Distributing Company

(Founded in 1976)



4061 Perimeter Drive
Columbus, OH 43228
Phone (614) 873-4620
Fax: (614) 873-8584
Email: agsales@haydist.com
Web Site: www.haydist.com

Utah

General Implement Distributors

(Founded in 1952)



2955 West 2100 South
Salt Lake City, Ut. 84119
Phone (801) 972-4321
Fax: (801) 972-4374
Email: dgull@generalimp.com
Web Site: www.generalimp.com

North Carolina

ACI Distributors

(Founded in 1984)



3220 New Town Blvd
St. Charles, MO 63301
Tennessee East Warehouse
4305 Memorial Hwy
Doyle, Tennessee 38559
Phone: # 800-237-0562
Email: sales@acidist.com
Web Site: www.acidist.com

Texas

White's Inc.

(Founded in 1920)



4614 Navigation Blvd. Box 2344
Houston, TX 77252-2344
Phone: (713) 928-2632
Fax: (713) 928-5374
Email: wholegoodsales@whitesinc.com
Web Site: www.whitesinc.com

Massachusetts

J.S. Woodhouse Company, Inc.

(Founded in 1843)



1314 Union Street P.O. Box 1169
West Springfield, MA 01090
Phone (413) 736-5462
FAX: (413) 732-3786
Email: info@jswoodhouse.com
Web Site: www.jswoodhouse.com

Nebraska

John Day Company

(Founded in 1909)



6263 Abbott Drive
Omaha NE 68110
Phone: (402) 455-8000
Email: agsales@johnday.com
Web Site: www.johnday.com

Ontario

Harco Ag Equipment

(Founded in 1982)



5808 Hwy #9 North
Harriston, Ontario, N0G 1Z0
Phone: (519) 338-2923
Fax: (519) 338-2756
Email: sales@harcoag.ca
Web Site: www.harcoag.ca

FERRI®



ASSOCIATE MEMBER

FERRI

America

North America Sales and Marketing Manager/FERRI
Ronald E. Roglis
Glenarm, Illinois 62536
Cell (314) 422-9460
Fax (217) 483-4123
E-mail: ron.roglis@gmail.com

FERRI

PARTSSTOCK

J.S. Woodhouse Co., Inc.
1314 Union Street
P.O. Box 1169
West Springfield, Ma. 01090 U.S.A.
Tel. 413-736-5462
Fax 413-732-3786
E-mail: info@jswoodhouse.com

FERRI srl
Via Govoni, 30
44034 Tamara (FE) Italy
Tel. 011 39 0532 866866 - Fax 011 39 0532 866851
info@ferrisrl.it - www.ferrisrl.it