

Kelley



B750

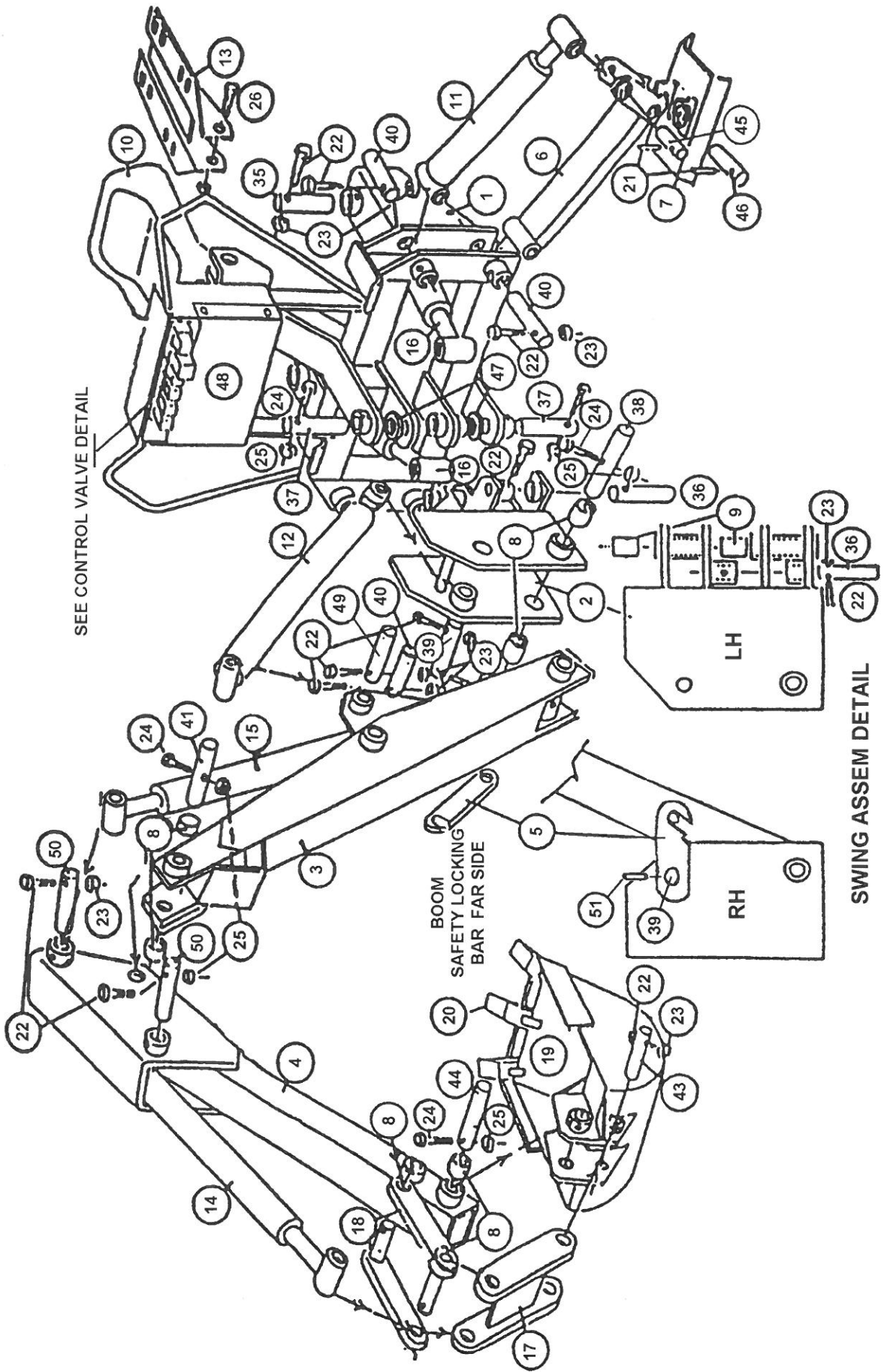
BACKHOE

Parts Manual

KELLEY MANUFACTURING CORPORATION

PO BOX 276 • 131 PROGRESSIVE DRIVE • OTTOVILLE, OHIO 45876 • PHONE 419-453-5539 • FAX 419-453-2278

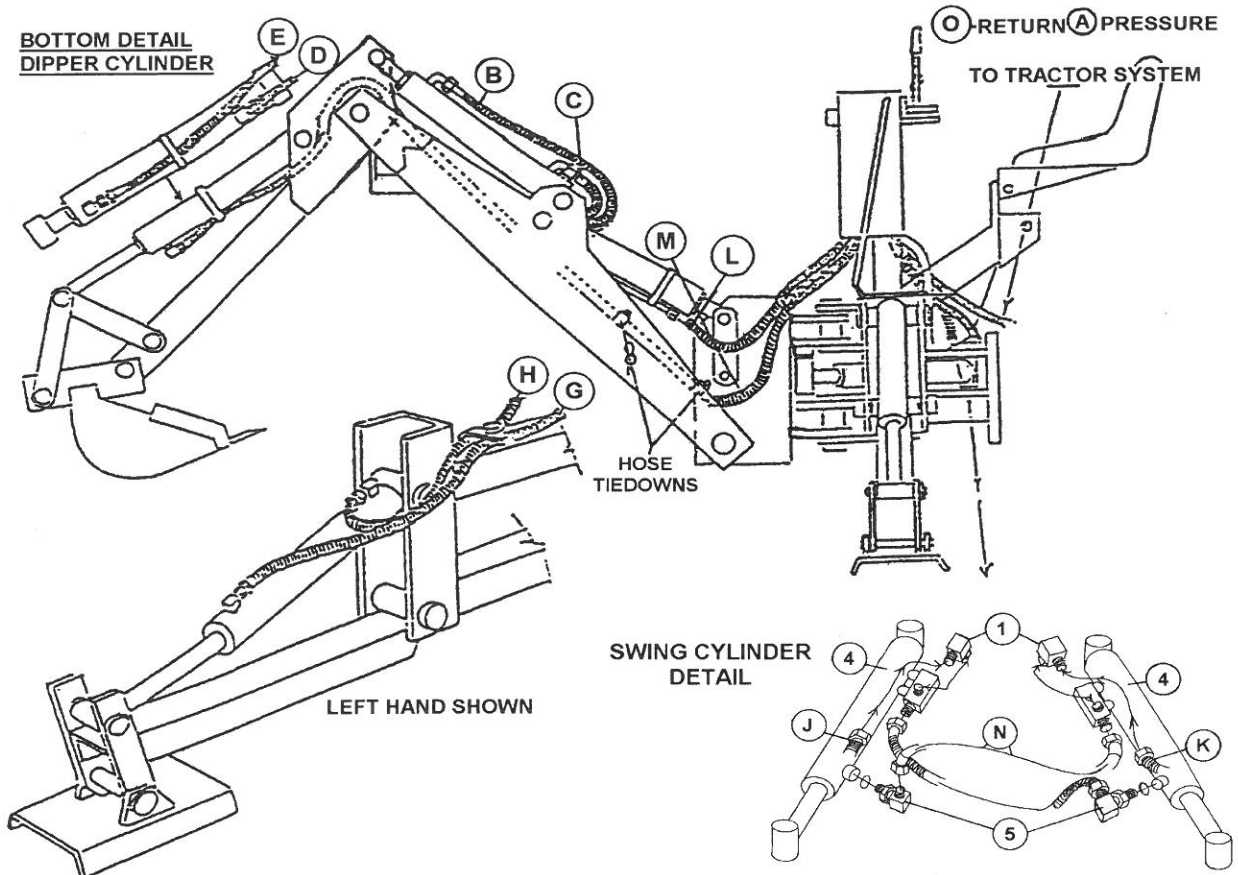
KELLEY B750 BACKHOE



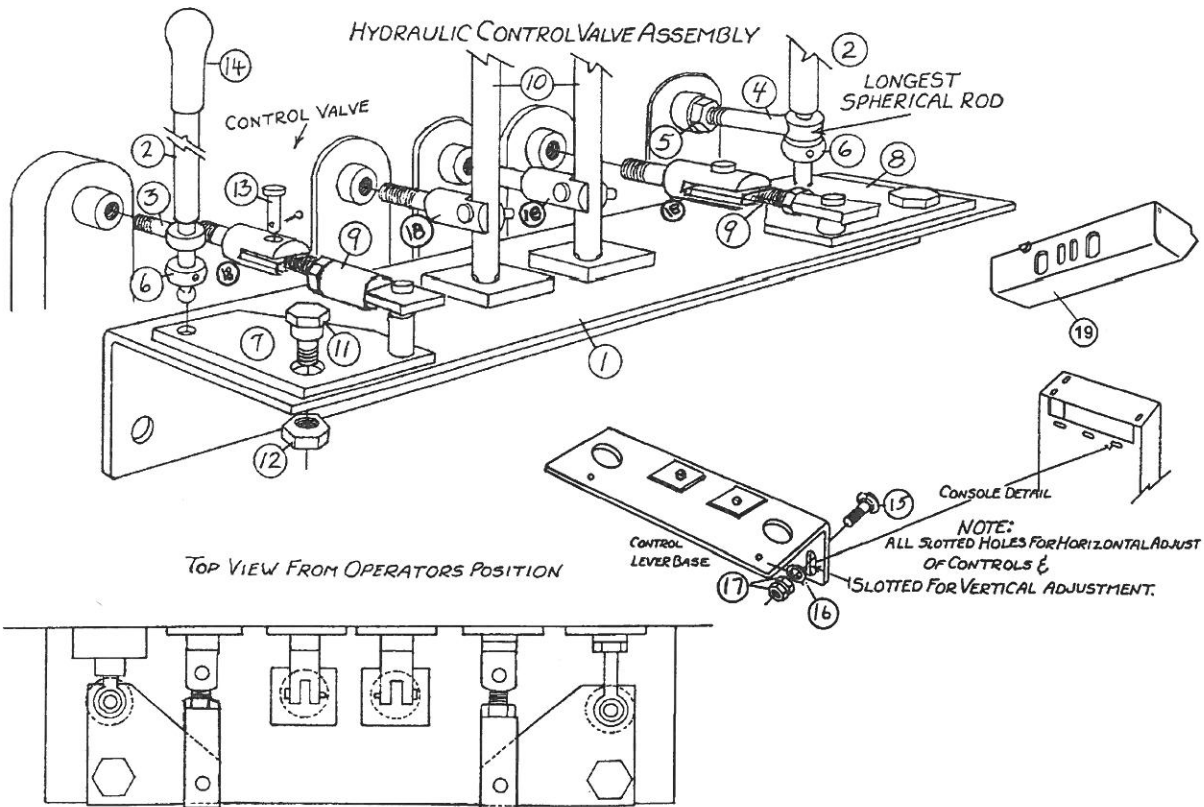
KELLEY B750 BACKHOE PARTS LIST

ILL	QTY	PART NO.	DESCRIPTION
1	1	BMF14032	Main Frame Weld Assy B750
2	1	BMF12677	Swing Mast Weld Assy
3	1	BMF12819	Boom Weld Assy
4	1	BMF12821	Dipper Stick Assy
5	1	BMF12680	Boom Lock
6	2	BMF11609	Stabilizer Arm (Standard)
7	2	BMF11610	Stabilizer Pad
8	6	SFT10950	Bushing, 1 1/4" x 1"
9	2	SFT10978	Bushing, 1-1/4 " x 1-1/2"
10	1	BMS12510	Seat
11	2	BCY12687	STABILIZER Cylinder
12	1	BCY12684	BOOM Cylinder
13	1	BMS12683	Seat Base
14	1	BCY12686	BUCKET Cylinder
15	1	BCY12823	DIPPER Cylinder
16	1	BCY302L	SWING Cylinder Left Hand (standing behind the machine designate right or left)
16	1	BCY302R	SWING Cylinder Right hand (standing behind the machine designate right or left)
17	1	BMF12688	Bucket Link
18	2	BMF12974	Cylinder Link
19	1	BBK	Bucket, 9",12",15",18"
20		BBK168	Replaceable tooth point
20		BBK167	Bucket Tooth <u>SHANK</u>
20		BBK192	Bucket Tooth, <u>SHANK and POINT</u>
21	4	SPN10530	Roll Pin, 5/16" x 2"
22	14	SBT10795	5/16" x 2" Bolt
23	14	SNT12434	5/16" Locknut
24	5	SBT12437	3/8" x 2 1/2" Bolt
25	5	SNT2031	3/8" Lock nut
26	1	SBT2050	Capscrew 1/2 x 3-1/2"
NI	1	SCY12862	Locknut 1/2"
35	2	SPN10458	Pin 1" x 7" Swing Cyl. Base
36	2	SPN12690	Pin 1" x 6-3/8" Swing Cyl. Rod
37	2	SPN12691	Pin, 1 1/4" x 5 1/4" Swing Pivot
38	1	SPN12692	Pin, 1 1/4" x 8-1/8" Boom Pivot
39	1	SPN12693	Pin, 1" x 7 1/8" Boom Cyl. Rod End
40	4	SPN10520	Pin, 1" x 6-1/4" Boom Cyl. Base, Bucket Cylinder Base, Stabilizer Pivot
41	1	SPN12694	Pin,1 1/4" x 8-1/2" Dipper Pivot
43	1	SPN12676	Pin, 1" x 8-1/8" Bucket Link
44	1	SPN130	Pin, 1 1/4" x 8-1/8" Bucket Pivot
45	2	SPN11603	Pin, 3/4" x 4 1/2" Stabilizer Cyl. Rod
46	2	SPN10027	Pin, 3/4" x 5 1/4" Stabilizer Pad
47	2	SWS10952	Washer, 1-1/4" I.D.
48	1	BMS12697	Valve Cover
49	1	SPN13294	Pin 1"x6-3/8" Dipper Cyl. Base
50	2	SPN10463	Pin 1"x5-3/4"
51	1	SPN13289	Roll Pin 5/16" x 2-1/2"
NI	2	SPN13084	Pin, handle lower hitch 7/8" x 5-3/4
NI	4	SBT10502	Self Tapping Screw
NI	2	SCL10892	Hose Hold Down Clamp
NI	4	SPN12575	Pins, 3/4" x 2 1/2", Drawbar
NI	28	SFT11734	Zerk Threaded 1/4"
NI	2	SFT13290	Zerk Threaded 90° 1/4"

<u>ILL No</u>	<u>Qty</u>	<u>Part No</u>	<u>Description</u>
A	1	SHO11123	HOSE 8P-50"-8-8JFS PRESSURE HOSE "RED TIP"
B	1	SHO12554	HOSE 4P2-102"-6JFS-6JFS Stick Pivot
C	1	SHO12699	HOSE 6P2-85"-6JFS-6JFS Stick
D	1	SHO12700	HOSE 6P-115"-6JFS-6JFS Bucket
E	1	SHO12701	HOSE 4P119"-6JM-6JFS Bucket
G	2	SHO12295	HOSE 4P-46" 6JFS-6JFS Stabilizer
H	2	SHO12557	HOSE 4P-42"-6JFS-6JFS Stabilizer
J&K	2	SHO10556	HOSE 4P-29"-6JFS-6JFS Swing
L	1	SHO12702	HOSE 4P2-64"-6JM-6JFS Boom
M	1	SHO12703	HOSE 6P2-65"-6JM-6JFS Boom
N	1	SHO11014	HOSE 4P-16"-6JFS-6JFS
O	1	SHO11123	HOSE 8P-50"-8-8JFS RETURN HOSE "Blue Tip"
1	2	SFT308	863B X 6 ELBOW
2	1	SFT313	LH MANIFOLD CUSHION (old style prior to 10-01-99)
3	1	SFT314	RH MANIFOLD CUSHION (old style prior to 10-01-99)
4	2	BCY302	SWING CYLINDER (old style prior to 10-01-99)
4		BCY302L	LH SWING CYLINDER (units mfg after 10-01-99)
		BCY302R	RH SWING CYLINDER (units mfg after 10-01-99)
			NOTE: New Style Swing manifolds rigidly secured to Barrel Assy.
5	2	SFT312	853B X 6 ELBOW

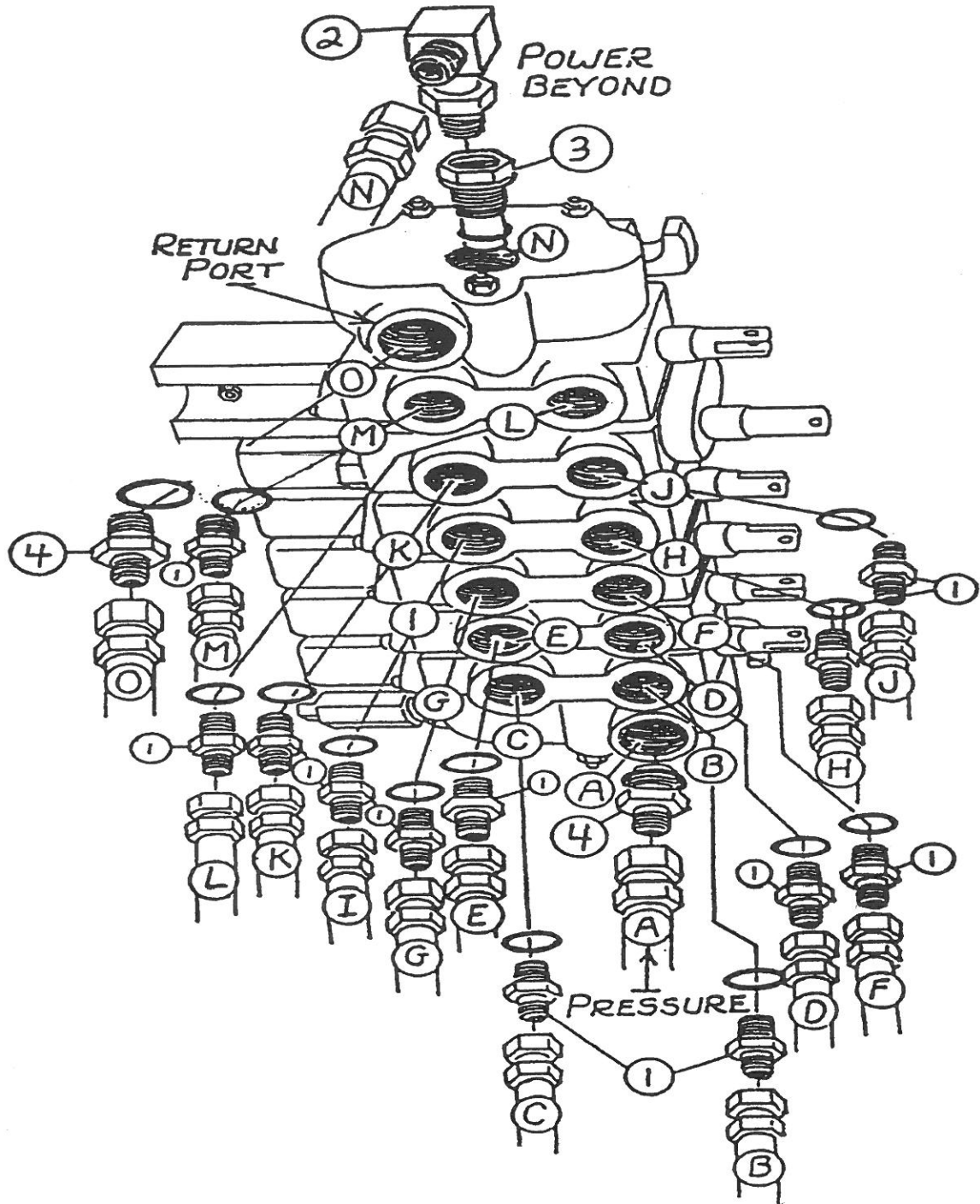


B600 & B750 VALVE CONTROL

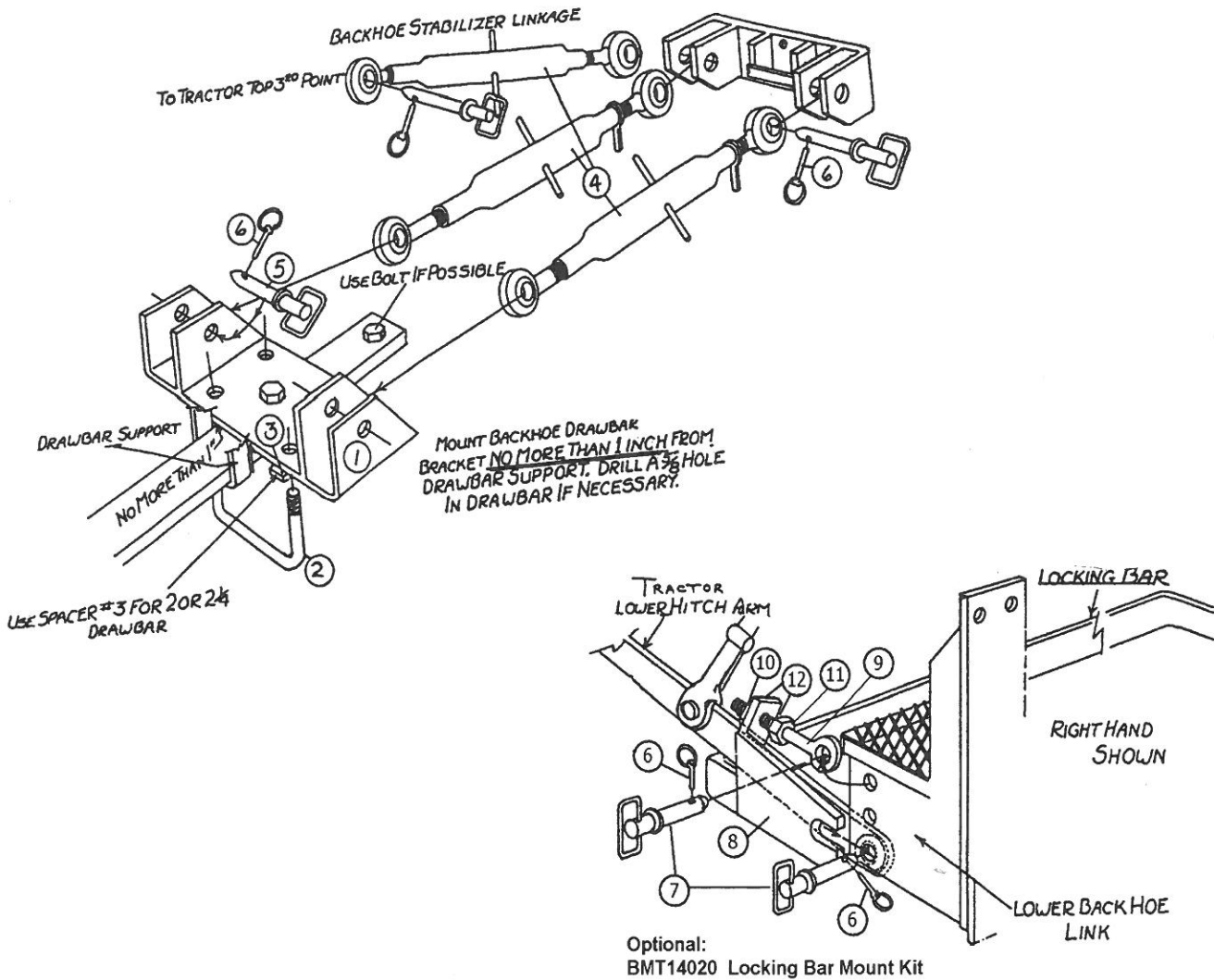


ILL No	Qty	Part No	Description
1	1	BMS14040	Main Control Base
2	2	BMS14041	Main Control Lever
3	1	SMS14001	Short Spherical Link
4	1	SMS14002	Long Spherical Link
5	1	SNT2032	3/8 N.F. Jam Nut
6	2	BMS14043	Main Control Lock Collar
7	1	BMS14004	L.H. Control Trunion
8	1	BMS14003	R.H. Control Trunion
9	2	BMS14005	Adjustable control links
10	2	BMS14042	Stabilizer Control Levers
11	2	SBT11374	Shoulder Bolt 5/16" x 7/8"
12	2	SNT2018	5/16" N.C. Nut
13	4	SPN11379	1/4" x 3/4" Clevis Pin
14	4	SMS13047	Plastic Knobs
15	3	SBT232	3/8" x 1-1/2" Carriage Bolts
16	6	SWS2034	3/8" flat washer
17	6	SNT2031	3/8" N.C. Nuts
18	4	255002	Female Spool End
19	1	BMF13322	Plastic Control Cover
NI	4	SPN11377	Cotter 1/16" x 3/4"
NI	2	SBT10502	Self-Tapping Screws

Kelley B750 Hoses and Fittings



<u>ILL NO</u>	<u>QTY</u>	<u>PART NO.</u>	<u>DESCRIPTION</u>
1	12	SFT10146	850X6X8 STRAIGHT THREAD O-RING CONNECTOR
2	1	SFT10066	8538X8X10 STRAIGHT THREAD O-RING 90° ELBOW
3	1	255049	POWER BEYOND SLEEVE
4	2	SFT10079	8508X8X10 STRAIGHT THREAD O-RING CONNECTOR



Optional:
BMT14020 Locking Bar Mount Kit

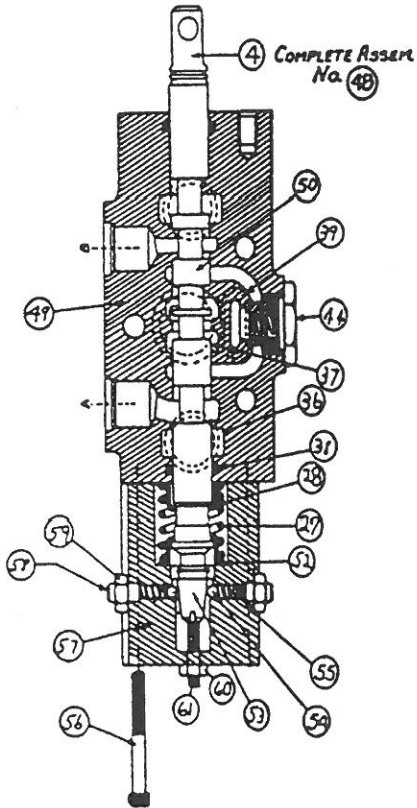
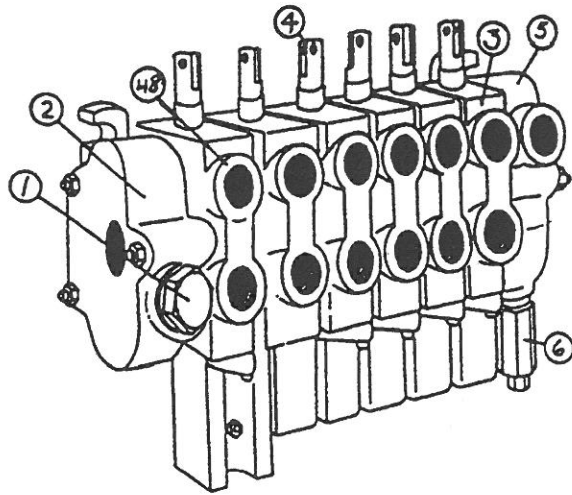
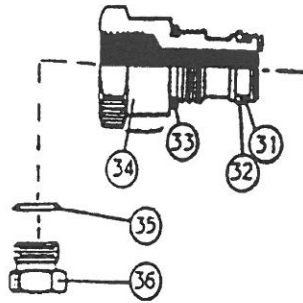
BMT12975 B750 DRAWBAR BRACKET KIT BMT12971 B750 3-POINT STABILIZER KIT

ILL No	Qty	Part No	Description
1	1	BMT14029	Drawbar Bracket
2	2	SBT12716	U-Bolt 5/8" x 2-1/2" x 2 3/4"
3	2	BMT14031	Spacer Bar
4	2	SMS14028	Adjustable Stabilizer Linkage CAT I
5	5	SPN14034	3/4" x 4-1/2" Pins w/ Handle Loop
6	8	SPN11558	1/4" Lynch Pins
7	4	SPN13084	7/8" x 4-3/8" Hitch Pin w/ Handle
8	1	BWD13287	Locking bar assembly B750
9	2	SBT10452	Eyebolt, 3/4" x 7"
10	2	SNT2102	3/4" Nut
11	2	SNT10584	3/4" Jam nut
12	2	SWS2103	3/4" Lockwasher
NI	1	SBT2073	5/8" x 3 1/2" Capscrews
NI	1	SBT10263	3/4" x 3 1/2" Capscrews
NI	1	SWS2089	5/8" Flat washer
NI	5	SNT2086	5/8" nuts
NI	5	SNT14035	5/8" Jam nuts
NI	1	SNT2102	3/4" nut
NI	1	SNT10584	3/4" Jam nut

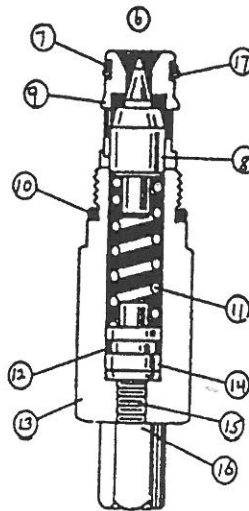
GRESEN/RACINE SIX SECTION VALVE FOR B600 AND B750

Part No. V-12-1051-A

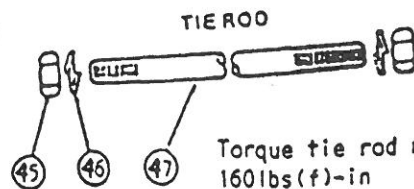
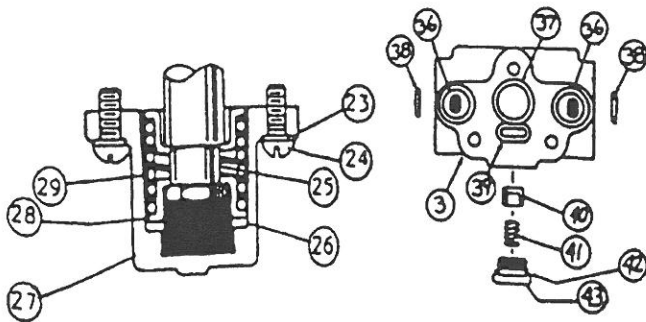
<u>ILL</u> <u>No</u>	<u>Qty</u>	<u>Part</u> <u>No</u>	<u>Description</u>
1	2	785038	#10 S.A.E. PLUG ASSEMBLY
2	1	254009	OUTLET MANIFOLD SECTION WITH #10
3	5	254006	VALVE SECTION WITH #8 OPENING
4	6	255002	FEMALE SPOOL END
5	1	254016	INLET MANIFOLD SECTION WITH #10
6	1	785056	DIRECT RELIEF VALVE CARTRIDGE
7	1	404463	O'RING
8	1	255003	POPPET
9	1	255044	POPPET BODY
10	2	405393	O'RING
11	1	410557	SPRING
12	1	401272	O'RING
13	1	255144	DIRECT RELIEF VALVE CARTRIDGE BODY
14	1	255143	SPRING SEAT
15	1	410556	ADJUSTMENT SCREW
16	1	255271	JAM NUT
17	1	490963	BACK-UP RING
24	12	401603	SCREW
25	6	255035	SPOOL END
26	6	255034	SPACER
27	6	254000	COVER
28	11	255013	SPRING RETAINER
29	6	410512	SPRING
30	1	406460	O'Ring
31	1	490975	BACK-UP RING
32	1	405688	O'Ring
33	1	255049	POWER BEYOND SLEEVE
34	1	405393	O'RING
35	1	355099	#8 PLUG
36	12	490308	O'RING
37	6	405895	O'RING
38	12	401248	O'RING
39	6	406127	O'RING
40	6	255021	LOAD CHECK PISTON
41	6	410520	SPRING
42	6	405688	O'RING
43	6	255020	PLUG
44	6	785011	LOAD CHECK ASSEMBLY
45	6	401033	TIE ROD NUT
46	6	400908	TIE ROD LOCKWASHER
47	3	255162	TIE ROD
48	1	981122	BOOM SECTION W/FLOAT POSITION
49	1	254242	VALVE BODY
50	1	255257	SPOOL, FLOAT-BOOM SPOOL ONLY
52	1	255258	SPRING RETAINER
53	1	255305	SPOOL END FLOAT
54	2	401072	BALL, DETENT
55	2	410560	SPRING, DETENT
56	2	402964	SCREW, ALLEN HEAD
57	1	254235	LOWER EXTENSION
58	2	410540	SCREW, ALLEN HEAD
59	2	401032	NUT
60	1	401032	1/4-28 JAM NUT
61	1	410540	1/4"-28 SPOOL LIMIT ADJ. SCREW
NI	5	255256	SPOOL-STANDARD



4 COMPLETE ASSEM
No. 48



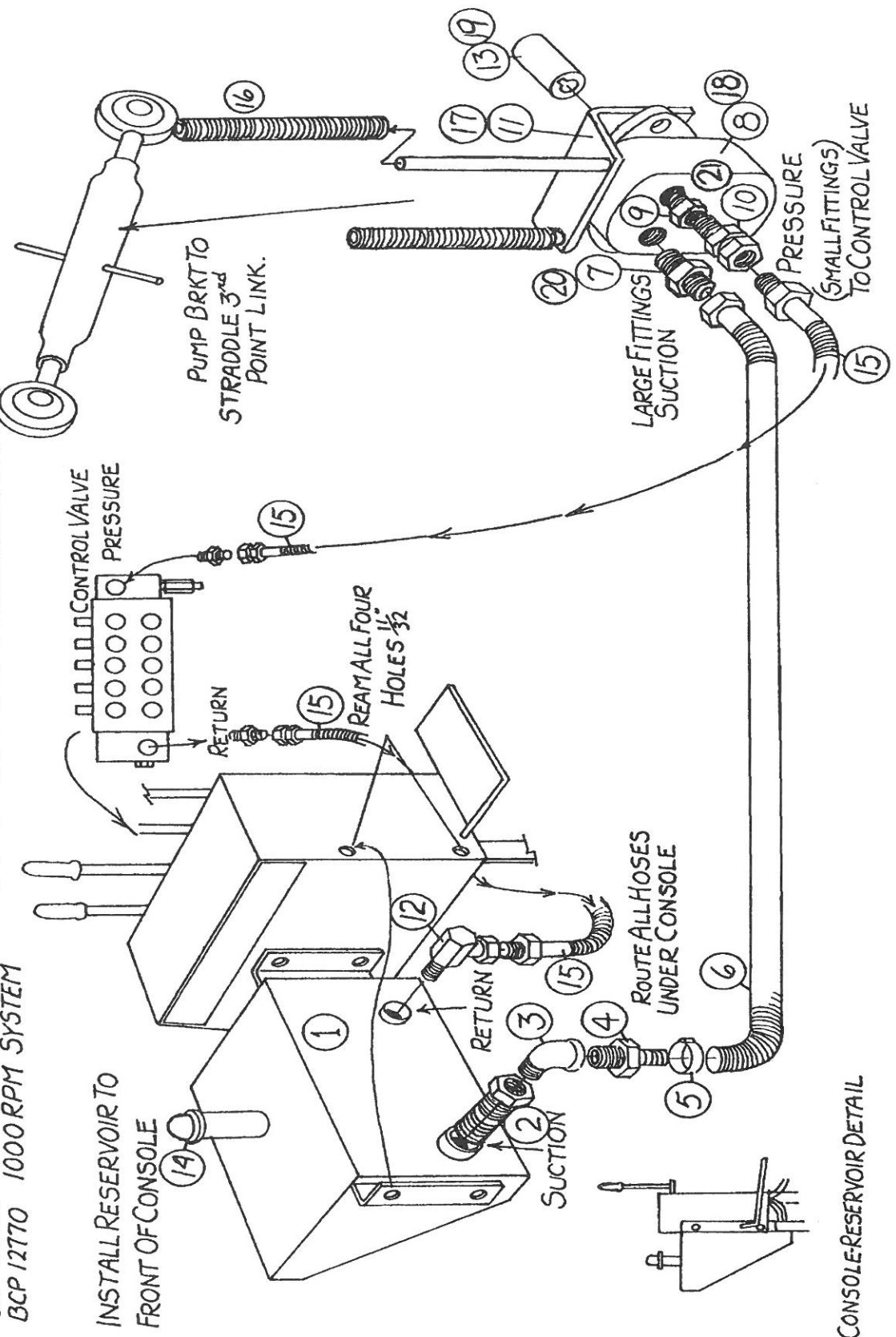
DIRECT RELIEF VALVE CARTRIDGE W/EXTERNAL ADJUSTMENT
CODE LETTER 'F'
785056



Torque tie rod nuts
160lbs(f)-in

BCP 12725 540RPM SYSTEM
 BCP 12770 1000 RPM SYSTEM

B-750 INDEPENDENT HYDRAULIC SYSTEM

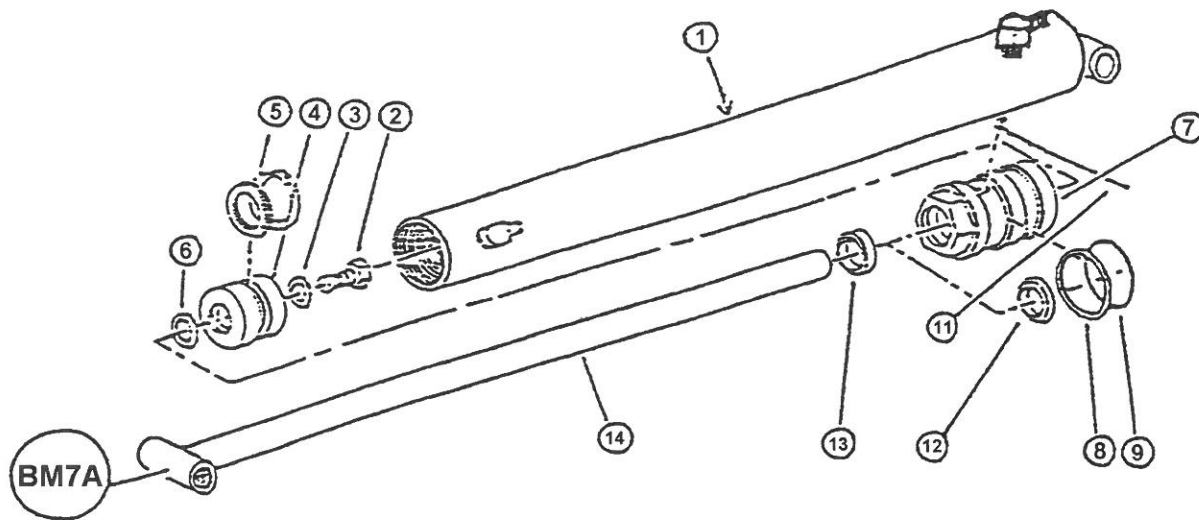


BCP12725 B750-540 RPM-PTO
INDEPENDENT HYDRAULIC SYSTEM

ILL No	Qty	Part No	Description
1	1	BPP12541	B750 OIL RESERVOIR
2	1	SPP6230	FILTER SCREEN
3	1	SFT2529	STREET EL 1" 90°
4	1	SFT13096	HOSE BARB 1"
5	1	SCL2640	1" HOSE CLAMP
6	1	SHO12947	16CBW-12JFS-0-50" HOSE
7	1	SFT12943	6400-20-12 PUMP ADAPTER (SUCTION)
8	1	SPP12948	388K WEBSTER PUMP (REAR PORT)
9	1	SFT12949	6410-16-12 PUMP ADAPTER (PRESSURE)
10	1	SFT12951	6900-12-8 PUMP FITTING (PRESSURE)
11	1	SPP12952	TORQUE BAR FOR 388K PUMP
12	1	SFT12946	9405 X 8 X 8 SWIVEL NUT EL
13	1	SPP6243	PUMP DRIVE ADAPTER 1 3/8" X 1" BORE
14	1	SPP2639	BREATHER CAP
15	2	SHO11123	BACKHOE PRESSURE & RETURN HOSES
16	2	SMS13286	3/4 x 10" Rubber Hose cover
NI	2	SBT2047	1/2" X 2" NC CAPSCREWS
NI	4	SBT10820	5/16" X 1" NC CAPSCREW
NI	2	SNT2062	1/2" NC NUTS
NI	4	SWS10900	1/2" STAR WASHERS
NI	2	SNT2018	5/16" NC NUTS
NI	4	SWS2019	5/16" LOCKWASHERS
NI	1	SFT2502	Drain Plug 3/8"

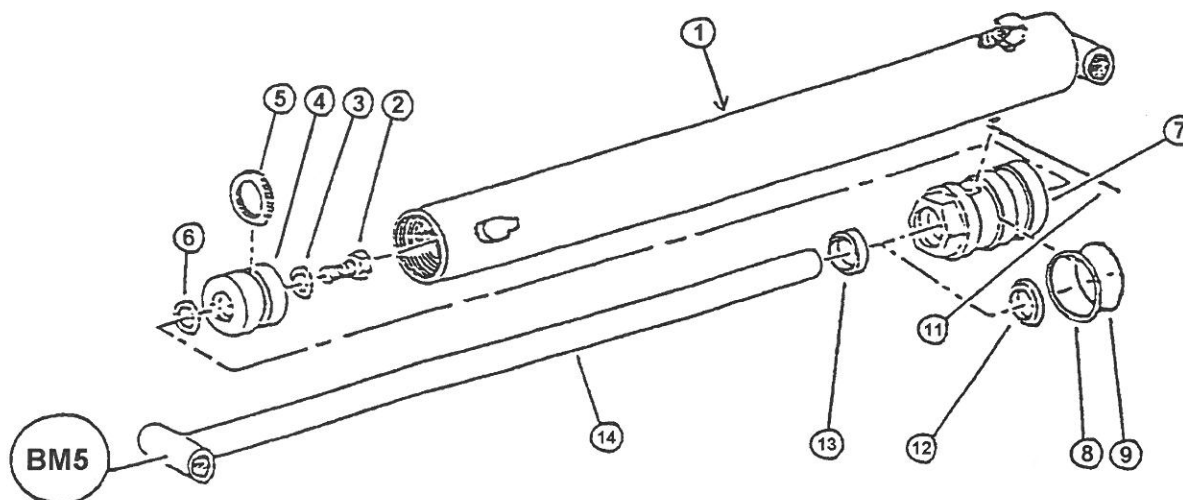
BCP12770 B750-1000 RPM-PTO
INDEPENDENT HYDRAULIC SYSTEM

ILL No	Qty	Part No	Description
1	1	BPP12541	B750 OIL RESERVOIR
2	1	SPP6230	FILTER SCREEN
3	1	SFT2529	1" ST EL
4	1	SFT13096	HOSE BARB 1"
5	1	SCL2640	1" HOSE CLAMP
6	1	SHO12947	16CBW-12JFS-0-50" HOSE
12	1	SFT12946	9405 X 8 X 8
14	1	SPP2639	BREATHER CAP
15	2	SHO11123	BACKHOE PRESSURE & RETURN HOSES
16	2	SMS13286	3/4 x 10" Rubber Hose cover
17	1	SPP10105	TORQUE BAR FOR 194YC PUMP
18	1	SPP12955	194YC Webster Pump (Rear Ports)
19	1	SPP10078	PUMP DRIVE ADAPTER 1 3/8" X 3/4" BORE
20	1	SPP12944	6400-12-14 Pump Adapter Suction
21	1	SFT12945	6900-10-8 Pump adapter Pressure
NI	2	SBT2023	3/8" X 1-1/4" NC CAPSCREWS
NI	4	SBT10820	5/16" X 1" NC CAPSCREW
NI	2	SNT2031	3/8" NC NUTS
NI	4	SNT2018	5/16" NC NUTS
NI	2	SWS2033	3/8" STAR WASHERS
NI	4	SWS2019	5/16" LOCKWASHERS
NI	1	SFT2502	Drain Plug 3/8"



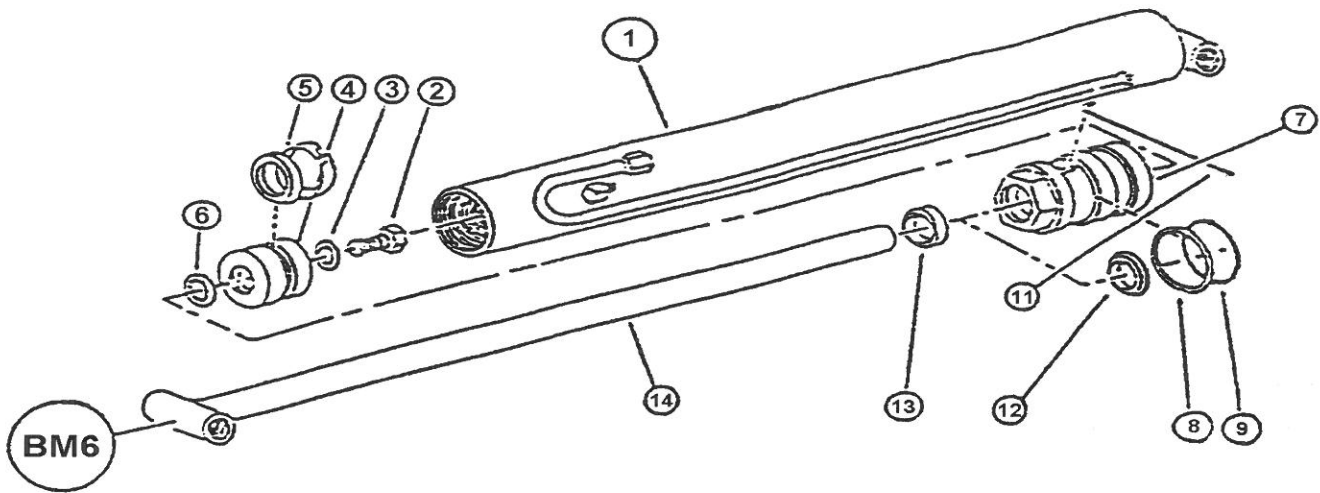
BCY12823 2-1/2" x 14" Dipper Cylinder

ILL No	Qty	Part No	Description	ILL No	Qty	Part No	Description
1	1	SCY12826	Barrel Assembly	8*	1	SCY1070	Back Up Rings
2	1	SBT1017	Capscrew, 7/8"	9*	1	SCY1024	O'Ring
3*	1	SCY1018	Dyna Seal, 7/8"	11*	1	SCY1026	Lockwire
4	1	SCY1020	Piston	12*	1	SCY1025	Rod Seal
5*	1	SCY1019	Piston Seal	13*	1	SCY1027	Rod Wiper
6*	1	SWS245	Internal Lockwasher	14	1	SCY10709	Rod Assembly
7	1	SCY1023	Cylinder Head	N.I.	1	SCY1030	Seal Kit



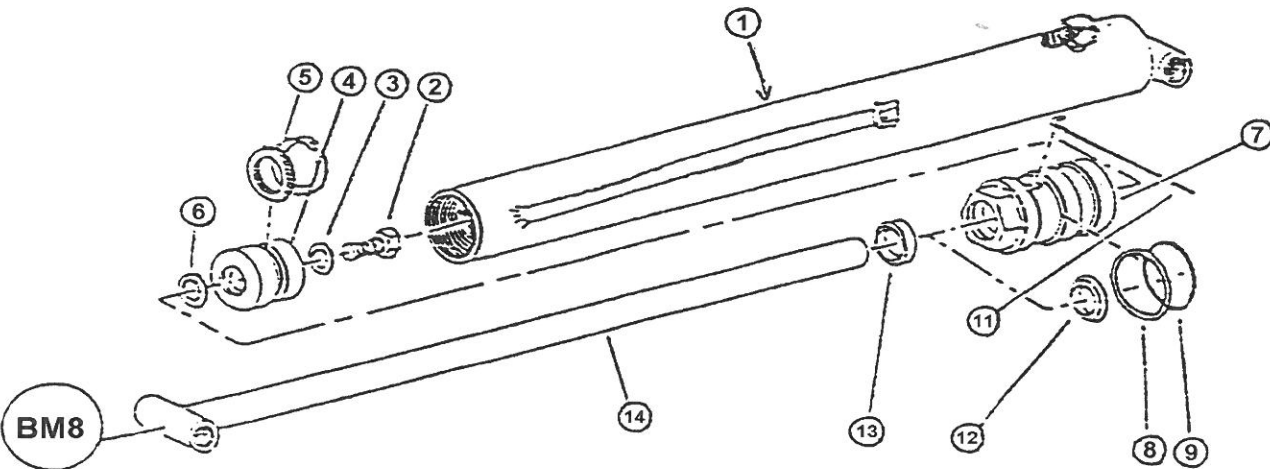
BCY12687 2-1/2" x 10" Stabilizer Cylinder

ILL No	Qty	Part No	Description	IL L No	Qty	Part No	Description
1	1	SCY12710	Barrel Assembly	8*	1	SCY1070	Back-Up Rings
2	1	SBT1017	Capscrew, 7/8"	9*	1	SCY1024	O'Ring
3*	1	SCY1018	Dyna Seal, 7/8"	11*	1	SCY1026	Lockwire
4	1	SCY1020	Piston	12*	1	SCY1025	Rod Seal
5*	1	SCY13285	Piston Seal Polypack	13*	1	SCY1027	Rod Wiper
6*	1	SWS245	Internal Lockwasher	14	1	SCY12711	Rod Assembly
7	1	SCY1023	Cylinder Head	NI	1	SCY13300	Seal Kit Polypack



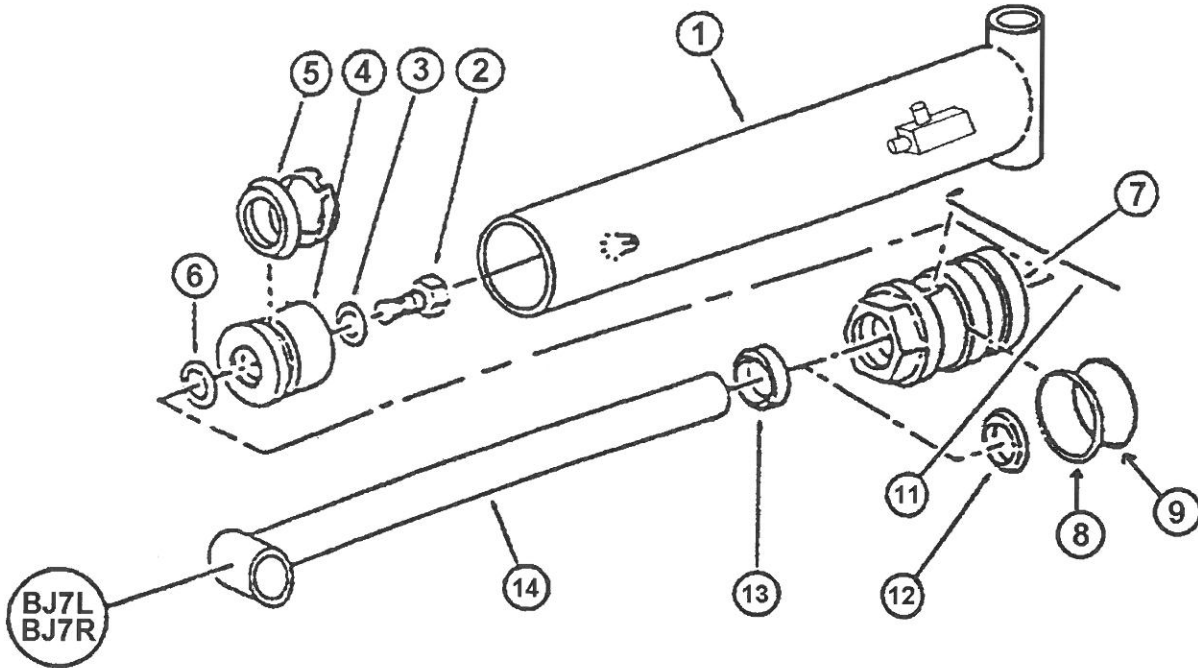
BCY12684 2-1/2" x 20" Boom Cylinder

ILL No	Qty	Part No	Description	ILL No	Qty	Part No	Description
1	1	SCY12706	Barrel Assembly	8	1	SCY1070	Back Up Rings
2	1	SBT1017	Capscrew, 7/8"	9	1	SCY1024	O'Ring
3	1	SCY1018	Dyna Seal, 7/8"	11	1	SCY1026	Lockwire
4	1	SCY1020	Piston	12	1	SCY1025	Rod Seal
5	1	SCY1019	Piston Seal	13	1	SCY1027	Rod Wiper
6	1	SWS245	Internal Lockwasher	14	1	SCY12707	Rod Assembly
7	1	SCY1023	Cylinder Head	N.I.	1	SCY1030	Seal Kit



BCY12686 2-1/2" x 14" Bucket Cylinder

ILL No	Qty	Part No	Description	ILL No	Qty	Part No	Description
1	1	SCY12704	Barrel Assembly	8	1	SCY1070	Back-Up Rings
2	1	SBT1017	Capscrew, 7/8"	9	1	SCY1024	O'Ring
3	1	SCY1018	Dyna Seal, 7/8"	11	1	SCY1026	Lockwire
4	1	SCY1020	Piston	12	1	SCY1025	Rod Seal
5	1	SCY1019	Piston Seal	13	1	SCY1027	Rod Wiper
6	1	SWS245	Internal Lockwasher	14	1	SCY12705	Rod Assembly
7	1	SCY1023	Cylinder Head	NI	1	SCY1030	Seal Kit



2-1/2" x 10" SWING Cylinder BCY302L LH (mfg. After 10-01-99)
 BCY302R RH (mfg. After 10-01-99)

ILL No	Qty	Part No	Description	ILL No	Qty	Part No	Description
1	1	SCY1083L	Barrel Assembly	8*	1	SCY1070	Back Up Rings
1	1	SCY1083R	Barrel Assembly	9*	1	SCY1024	O'Ring
2	1	SBT1017	Capscrew, 7/8"	11*	1	SCY1026	Lockwire
3*	1	SCY1018	Dyna Seal, 7/8"	12*	1	SCY1025	Rod Seal
4	1	SCY356	Piston	13*	1	SCY1027	Rod Wiper
5*	1	SCY1019	Piston Seal	14	1	SCY1082	Rod Assembly
6*	1	SWS245	Internal Lockwasher	N.I.	1	SCY1030	Seal Kit
7	1	SCY1023	Cylinder Head				

NOTES:

Kelley

EQUIPMENT