

Kelley



B600A

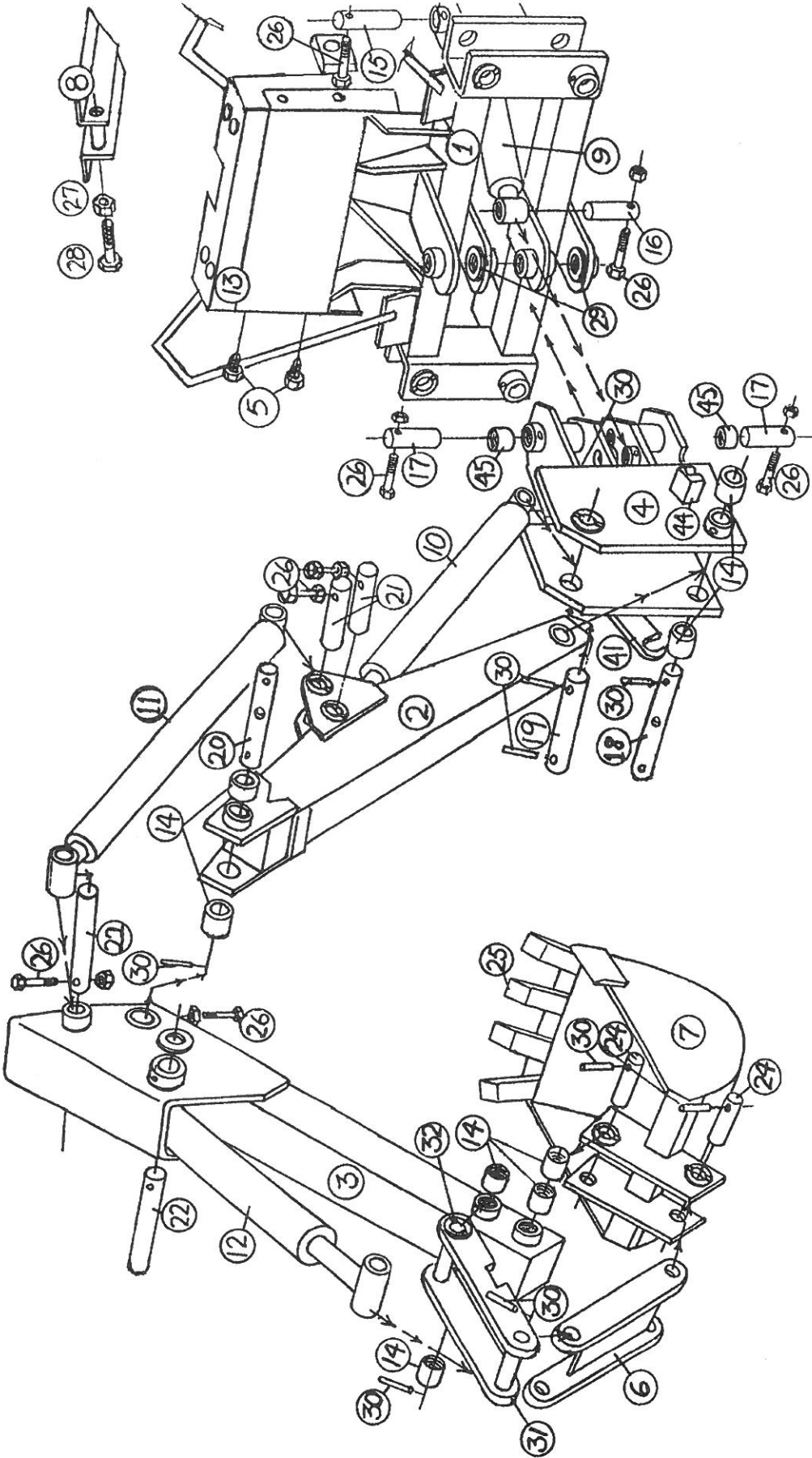
BACKHOE

Parts Manual

KELLEY MANUFACTURING CORPORATION

PO BOX 276 • 131 PROGRESSIVE DRIVE • OTTOVILLE, OHIO 45876 • PHONE 419-453-5539 • FAX 419-453-2278
Form 2002-0602

Part # BPM13251

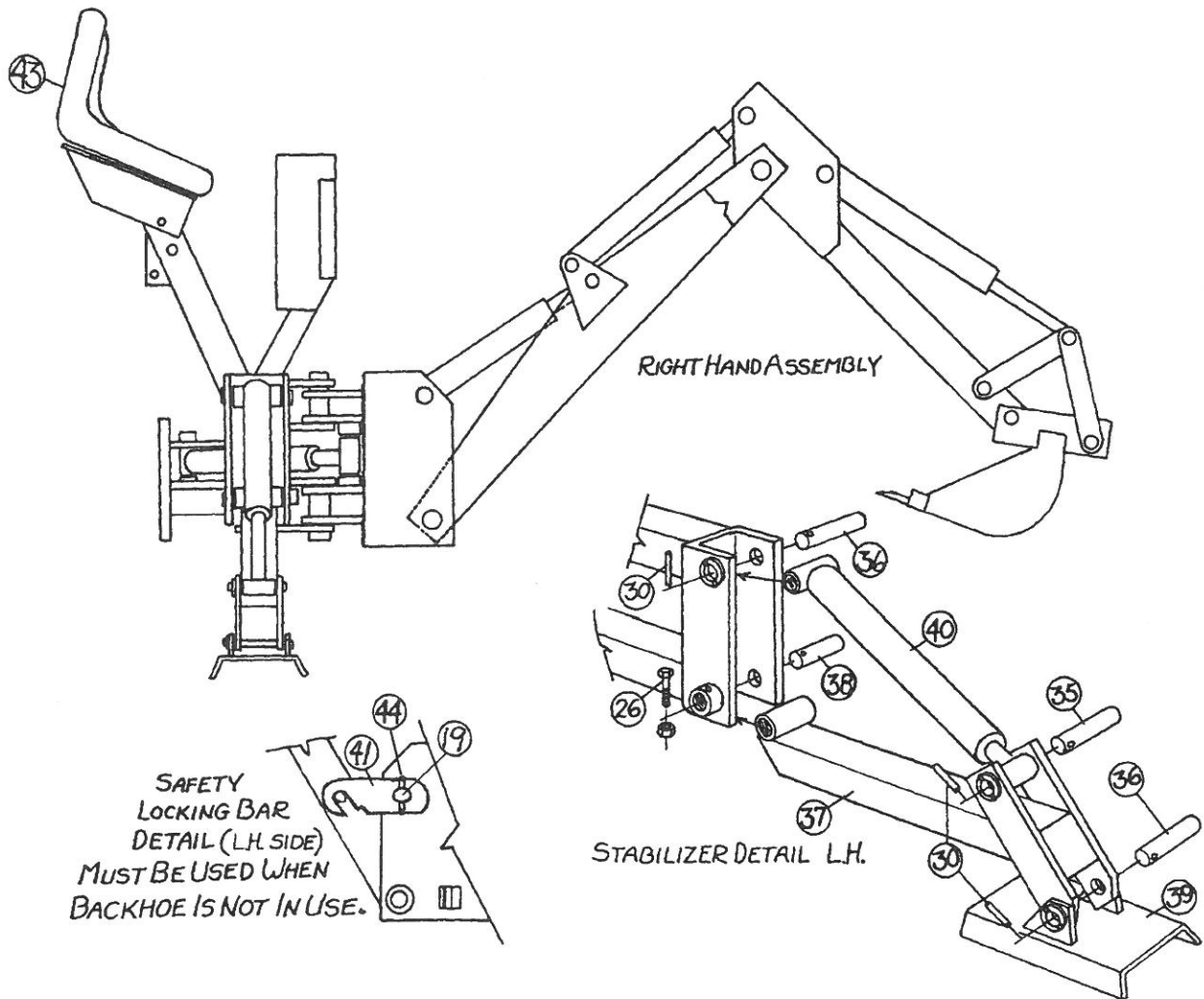


KELLEY B600 BACKHOE PARTS

<u>ILL NO</u>	<u>Qty</u>	<u>Part NO</u>	<u>Description</u>
1	1	BMF14030	Main Frame Weld Assembly
2	1	BMF13078	Boom Weld Assembly B600
3	1	BMF13079	Dipper Stick Weld Assembly B600
4	1	BMF12522	Swing Weld Assembly B600
5	4	SBT10502	Metal Screw 1/4" x 3/4"- Self Taping
6	1	BMF12526	Bucket Link
7		BBK9109	9" Bucket w/Weld on Tooth (BBK9110 w/Replaceable tooth)
		BBK9112	12" Bucket (BBK9113 w/Replaceable tooth)
		BBK9115	15" Bucket (BBK9116 w/Replaceable tooth)
8	1	BMS12683	Seat Mount Plate
9	1	BCY12528	Swing Cylinder
10	1	BCY12529	Boom Cylinder
11	1	BCY13315	Dipper Stick Cylinder
12	1	BCY13081	Bucket Cylinder
13	1	BMS12697	Valve Cover
14	10	SFT10986	Bushing 1" ID X 1" Steel w/grove
15	1	SPN13075	Pin 1" x 6-1/8" w/ 5/16" Hole-Swing Cylinder base End
16	1	SPN12542	Pin 1" x 5 3/8" w/ 5/16" Hole Swing Cylinder Rod End
17	2	SPN12543	Pin 1" x 4 7/8" w/ 5/16" Hole Swing Pivot
18	1	SPN13154	Pin 1" x 8 1/8" w/ two-5/16" Holes-Boom Pivot
19	1	SPN12545	Pin 1" x 6-1/2" w/ two-5/16" Holes-Boom Cylinder Base End
20	1	SPN13076	Pin 1" x 7 3/8" w/ two-5/16" Holes-Dipper Stick
21	2	SPN13294	Pin 1" x 6 3/8" w/ 5/16" Hole-Boom Rod End Dipper Stick Base End
22	2	SPN13077	Pin 1" x 5-3/8" w/ 5/16" Hole-Dipper stick Rod End Bucket Base
24	2	SPN12548	Pin Bucket Pivot 1" X 6-1/4" / Link pin w/ 5/16" Hole
25		BBK12533	Bucket Tooth Weld-on Replacement (BBK168-Peened on Replaceable tooth)
26	10	SBT10795	Capscrew 5/16" x 2" GR5
27	1	SNT2060	1/2" Locknut
28	1	SBT2049	1/2" x 3" Capscrew
29	2	SWS10984	Space Thrust Washer
30	14	SPN10530	Roll Pin 5/16" x 2"
31	1	BMF13152	Bucket Cylinder Link & Pin Assembly R.H.
32	1	BMF13153	Bucket Cylinder Link & Pin Assembly L.H.
41	1	BMF12539	Boom Safety Locking Bar
44	2	SMS12807	Rubber Swing Bumper
45	2	SFT10985	Bushing 1" ID x 1-3/8" Steel
NI	26	SFT11734	Zerk Threaded 1/4"
NI	3	SFT13328	Zerk Threaded 90° 1/4"

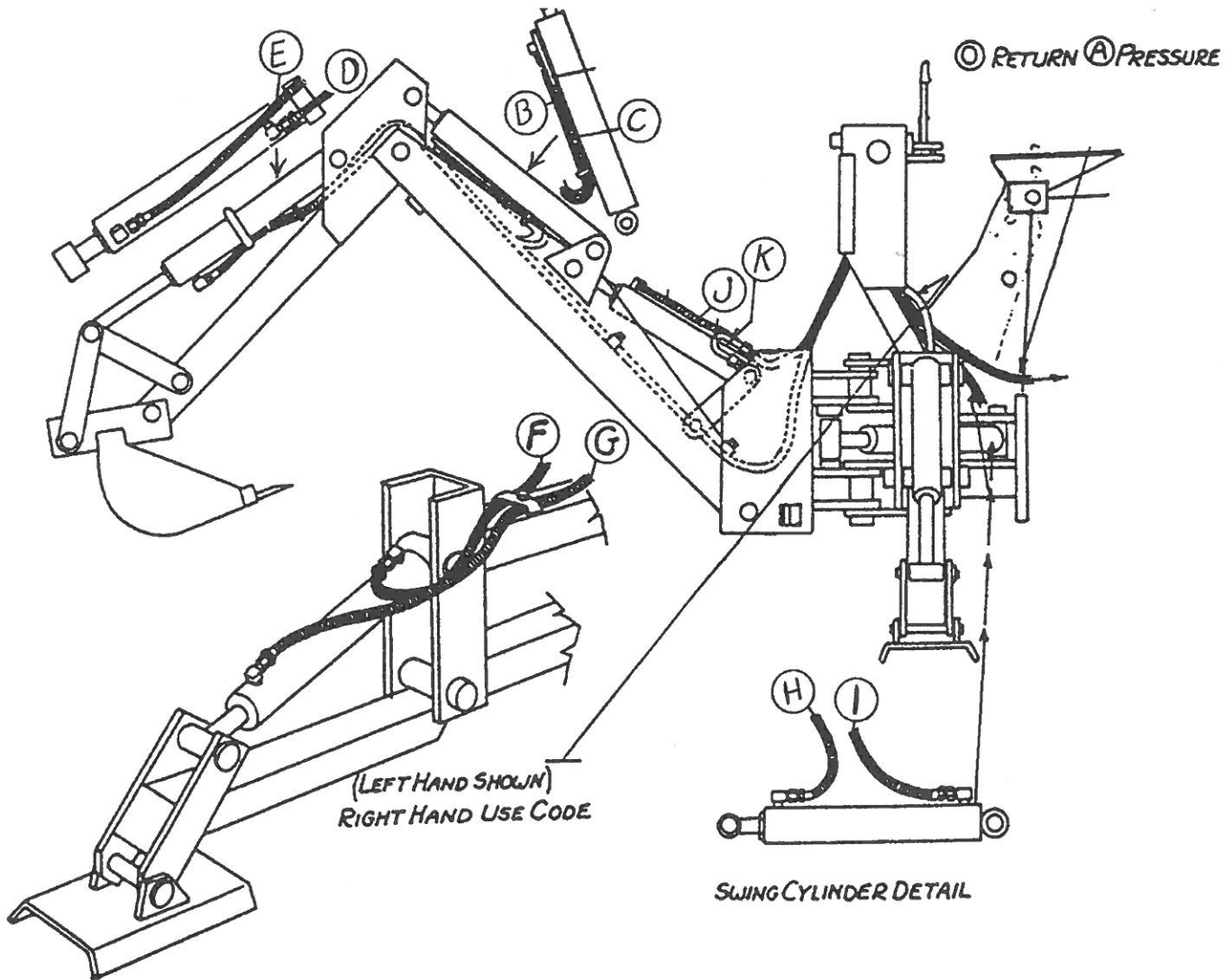
KELLEY B600 BACKHOE PARTS LIST

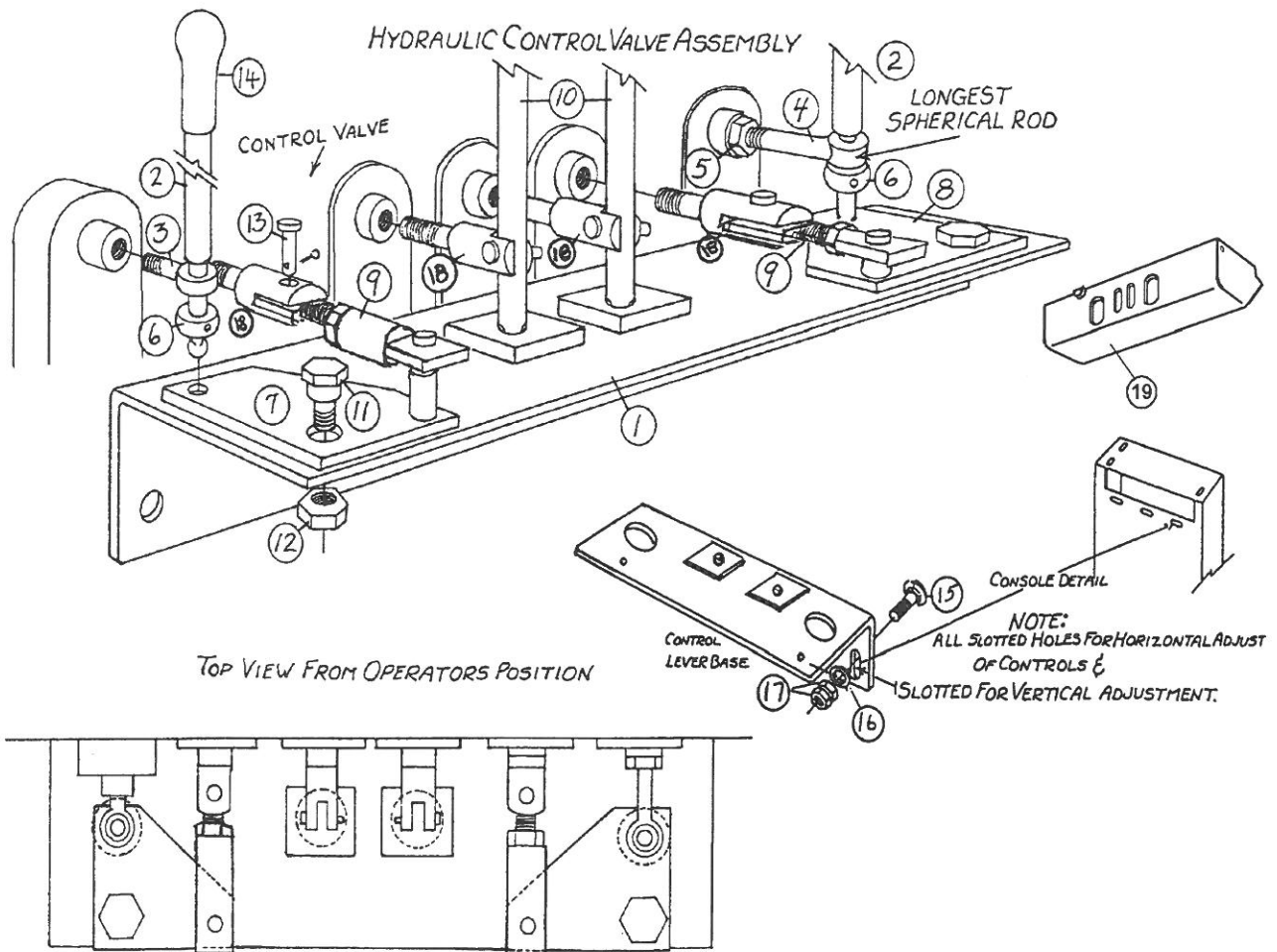
<u>ILL NO.</u>	<u>QTY</u>	<u>PART NO.</u>	<u>DESCRIPTION</u>
30	3	SPN10530	Roll Pin 5/16" x 2"
35	4	SPN117	Pin 1" x 4" w/ 5/16" Hole-Stabilizer Cylinder Rod
36	4	SPN12550	Pin 1" x 4 7/8" w/ 5/16" Hole Stabilizer Pad-Stabilizer Cylinder Base
37	2	BMF12536	Folding Stabilizer RH & LH
38	2	SPN12551	Pin 1" x 5-5/8" w/ 5/16" Hole
39	2	BMF12537	Stabilizer Pad
40	2	BCY12538	Stabilizer Cylinder
41	1	BMF12539	Boom Safety Locking Bar
43	1	BMS12510	Seat
44	1	SPN13289	Roll Pin 5/16" x 2-1/2"
NI	10	SNT12434	5/16" Locknut



KELLEY B600 BACKHOE HOSES

ILL No	Qty	Part No	Description
A	1	SHO11123	PRESSURE HOSE "RED TIP" 1/2x50"-1/2 Male x 3/4-16 JICF
B	1	SHO13314	DIPPER STICK HOSE 4P2-68" 6JICM-6JFS-
C	1	SHO13306	DIPPER STICK HOSE 4P2-74" 6JFS-6JFS
D	1	SHO13082	BUCKET HOSE 4P-89" 6JFS-6JFS
E	1	SHO12554	BUCKET HOSE 4P-105" 6JFS-6JFS
F	2	SHO13331	STABILIZER HOSE 4P-44"-6JFS-6JFS
G	2	SHO12557	STABILIZER 4P-42"-6JFS-6JFS
H	1	SHO10556	SWING HOSE 4P-29"-6JFS-6JFS
I	1	SHO13338	SWING HOSE 4P-31"-6JFS-6JFS
J	1	SHO13331	BOOM HOSE 4P2-44"-6JFS-6JFS
K	1	SHO13331	BOOM HOSE 4P2-44"-6JFS-6JFS
	0		POWER BEYOND HOSE MUST BE SUPPLIED BY DEALER, WILL VARY WITH TRACTOR MAKE AND MODEL.
O	1	SHO11123	RETURN HOSE "BLUE TIP" 8P-50"-8-8JFS

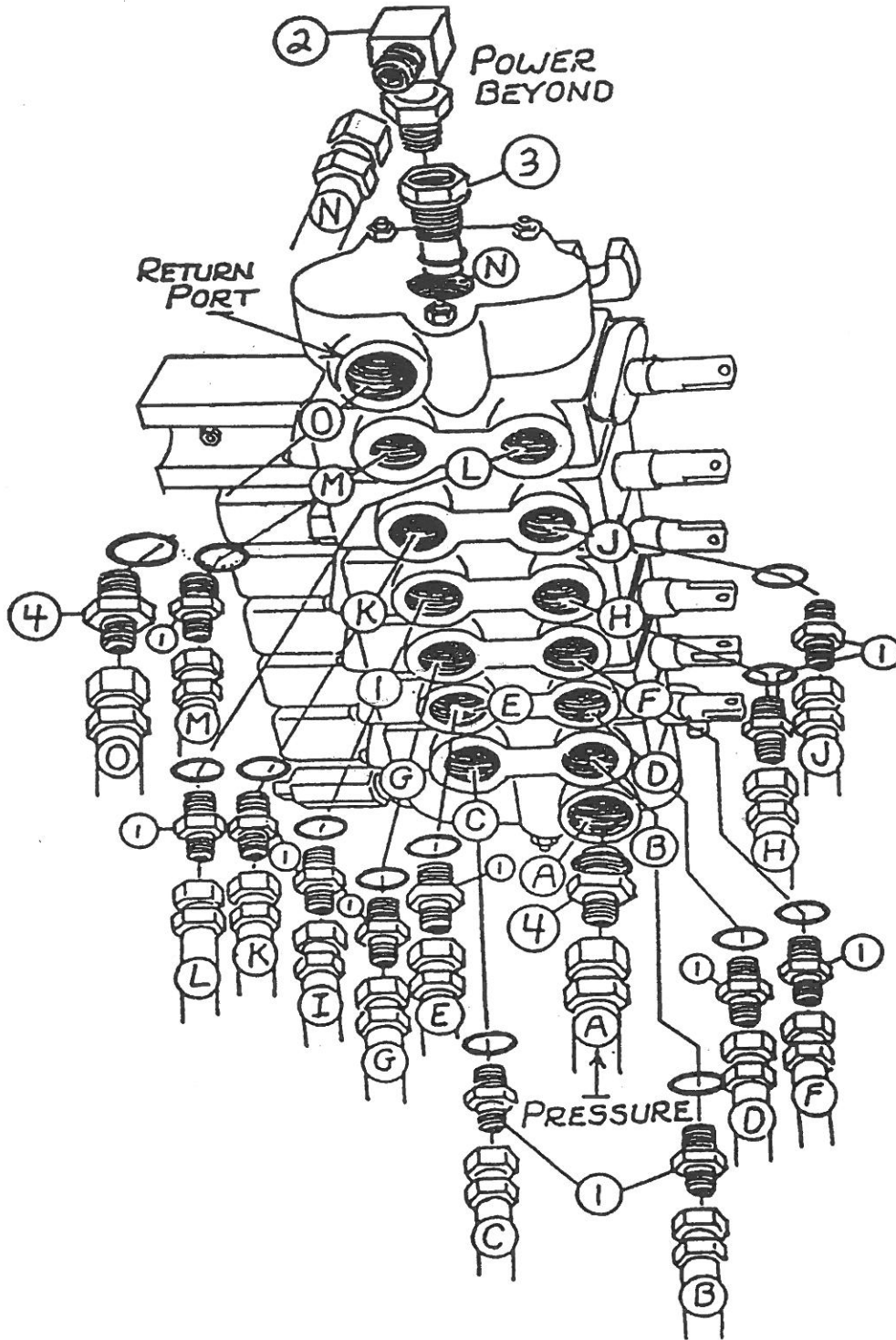




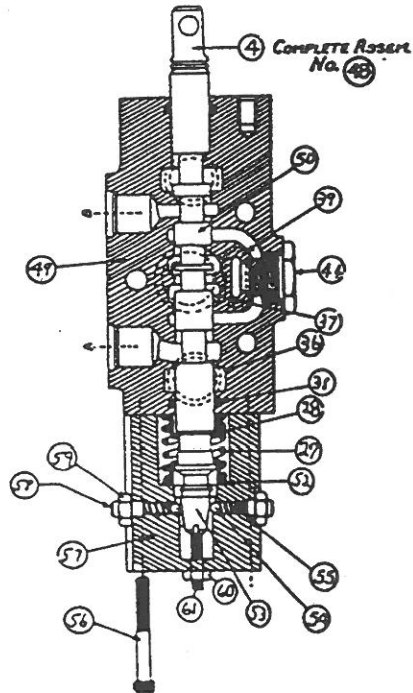
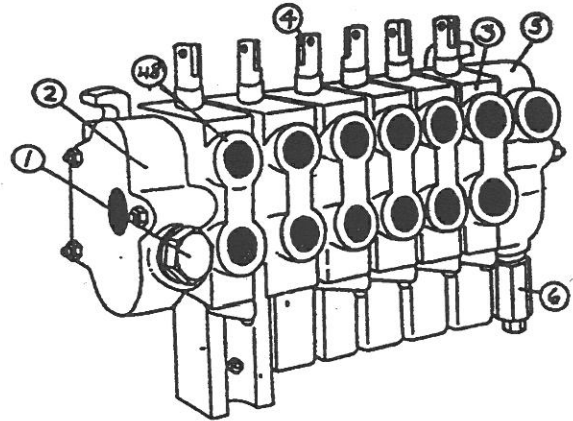
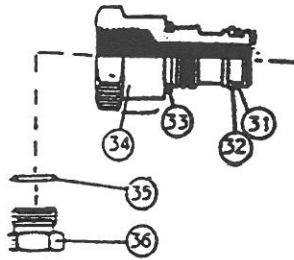
B600 B750 VALVE CONTROL

ILL No	Qty	Part No	Description
1	1	BMS14040	Main Control Base
2	2	BMS14041	Main Control Lever
3	1	SMS14001	Short Spherical Link
4	1	SMS14002	Long Spherical Link
5	1	SNT2032	3/8" N.F. Jam Nut
6	2	BMS14043	Main Control Lock Collar
7	1	BMS14004	L.H. Control Trunion
8	1	BMS14003	R.H. Control Trunion
9	2	BMS14005	Adjustable Linkage
10	2	BMS14042	Stabilizer Control Levers
11	2	SBT11374	Shoulder Bolt 5/16" x 7/8"
12	2	SNT2018	5/16" N.C. Nut
13	4	SPN11379	1/4" x 3/4" Clevis Pin
14	4	SMS13047	Plastic Knobs
15	3	SBT232	3/8" x 1-1/2" Carriage Bolts
16	6	SWS2034	3/8" flat washer
17	6	SNT2031	3/8" N.C. Nuts
18	4	255002	Female Spool End
19	1	BMF13322	Plastic Control Cover
NI	4	SPN11377	Cotter 1/16" x 3/4"
NI	2	SBT10502	Self tapping screw

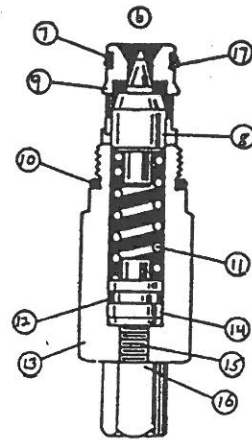
Kelley B600 Hoses and Fittings



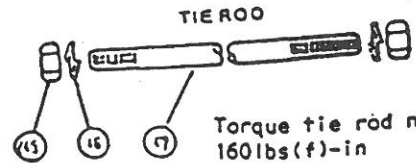
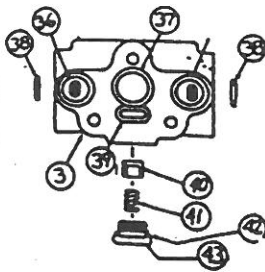
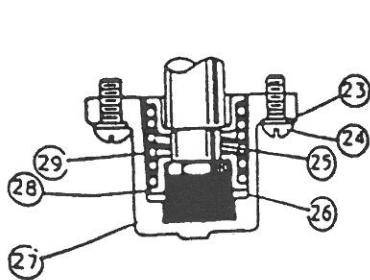
<u>ILL No</u>	<u>Qty</u>	<u>Part No</u>	<u>Description</u>
1	12	SFT10146	850X6X8 STRAIGHT THREAD O-RING CONNECTOR
2	1	SFT10066	8538X8X10 STRAIGHT THREAD O-RING 90% ELBOW
3	1	255049	POWER BEYOND SLEEVE
4	2	SFT10079	8508X8X10 STRAIGHT THREAD O-RING CONNECTOR



4 COMPLETE ASSY
No. 48



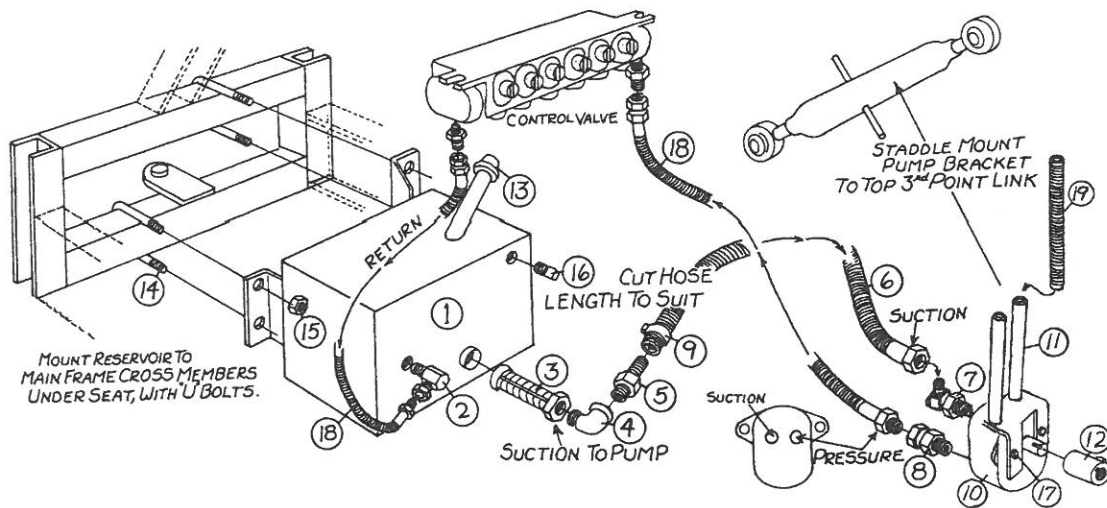
DIRECT RELIEF VALVE CARTRIDGE W/EXTERNAL ADJUSTMENT
CODE LETTER 'F'
785056



Torque tie rod nuts
160lbs(f)-in

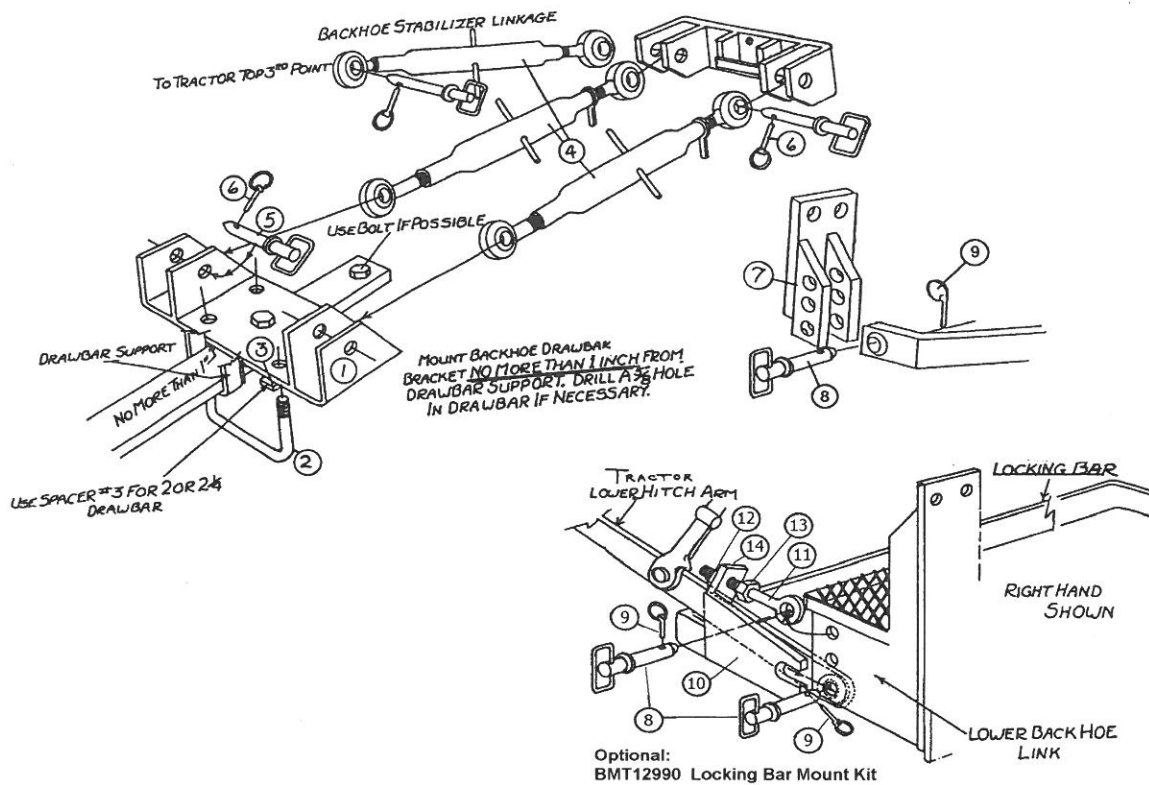
GRESEN/RACINE SIX SECTION VALVE-B600 AND B750
Part No. V-12-1051-A

<u>ILL</u> <u>No</u>	<u>Qty</u>	<u>Part</u> <u>No</u>	<u>Description</u>
1	2	785038	#10 S.A.E. PLUG ASSEMBLY
2	1	254009	OUTLET MANIFOLD SECTION WITH #10
3	5	254006	VALVE SECTION WITH #8 OPENING
4	6	255002	FEMALE SPOOL END
5	1	254016	INLET MANIFOLD SECTION WITH #10
6	1	785056	DIRECT RELIEF VALVE CARTRIDGE
7	1	404463	O'RING
8	1	255003	POPPET
9	1	255044	POPPET BODY
10	2	405393	O'RING
11	1	410557	SPRING
12	1	401272	O'RING
13	1	255144	DIRECT RELIEF VALVE CARTRIDGE BODY
14	1	255143	SPRING SEAT
15	1	410556	ADJUSTMENT SCREW
16	1	255271	JAM NUT
17	1	490963	BACK-UP RING
24	12	401603	SCREW
25	6	255035	SPOOL END
26	6	255034	SPACER
27	6	254000	COVER
28	11	255013	SPRING RETAINER
29	6	410512	SPRING
30	1	406460	O'Ring
31	1	490975	BACK-UP RING
32	1	405688	O'Ring
33	1	255049	POWER BEYOND SLEEVE
34	1	405393	O'RING
35	1	355099	#8 PLUG
36	12	490308	O'RING
37	6	405895	O'RING
38	12	401248	O'RING
39	6	406127	O'RING
40	6	255021	LOAD CHECK PISTON
41	6	410520	SPRING
42	6	405688	O'RING
43	6	255020	PLUG
44	6	785011	LOAD CHECK ASSEMBLY
45	6	401033	TIE ROD NUT
46	6	400908	TIE ROD LOCKWASHER
47	3	255162	TIE ROD
48	1	981122	BOOM SECTION W/FLOAT POSITION
49	1	254242	VALVE BODY
50	1	255257	SPOOL, FLOAT
52	1	255258	SPRING RECAINER,
53	1	255305	SPOOL END FLOAT
54	2	401072	BALL, DETENT
55	2	410560	SPRING, DETENT
56	2	402964	SCREW, ALLEN HEAD
57	1	254235	LOWER EXTENSION
58	2	410540	SCREW, ALLEN HEAD
59	2	401032	NUT
60	1	401032	1/4-28 JAM NUT
61	1	410540	1/4"-28 SPOOL LIMIT ADJ. SCREW
NI	1	255256	Spool Metering-Standard
NI	8	SBT2068	Capscrew 5/8" x 2"
NI	8	SNT11682	Nut lock 5/8"
NI	8	SWS2089	Flatwasher 5/8"



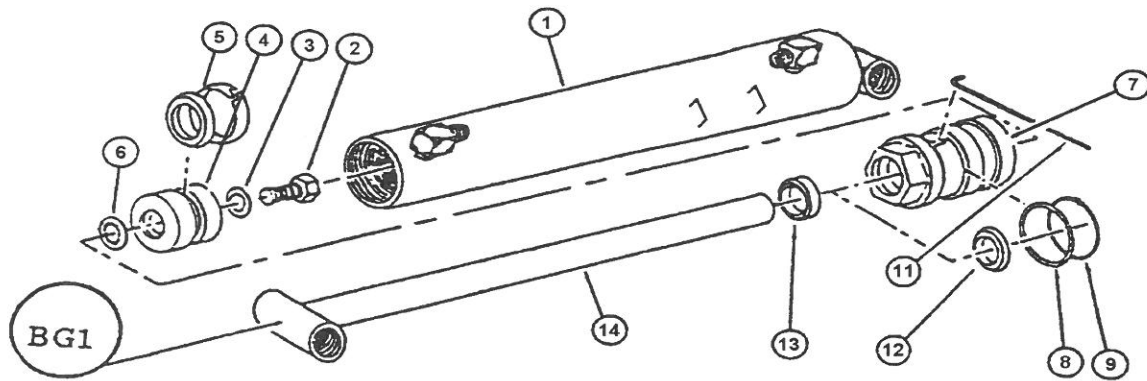
BCP12750 B600-540 RPM PTO INDEPENDENT HYDRAULIC SYSTEM

ILL No	Qty	Part No	Description
1	1	BPP12874	B600 RESERVOIR
2	1	SFT10935	9405 X 8 X 8 SWIVEL NUT EL
3	1	SPP6230	FILTER SCREEN
4	1	SFT2529	1" ST EL90
5	1	SFT13096	HOSE BARB 1"
6	1	SHO12947	16CBW-12JFS-0-50
7	1	SFT13288	6801 X 12 X 14 PUMP ADAPTER ELBOW (SUCTION)
8	1	SFT12945	6900 X 10 X 8 PUMP ADAPTER (PRESSURE)
9	1	SCL2640	1" HOSE CLAMP
10	1	SPP12955	194YC WEBSTER PUMP (REAR PORT)
11	1	SPP10105	TORQUE BAR FOR 194YC
12	1	SPP10078	PUMP DRIVE ADAPTER 1 3/8" X 3/4" BORE
13	1	SPP2639	BREATHER CAP
14	2	SBT10123	1/2" X 2-1/2" X 3-3/4" U-BOLT
15	4	SNT2060	1/2" NC NUTS
16	1	SFT2502	3/8" PIPE PLUG (LEVEL)
17	2	SBT2023	3/8" X 1-1/4" NC CAPSCREW
18	2	SHO11123	BACKHOE PRESURE & RETURN HOSES
19	2	SMS13286	Rubber Hose Cover 3/4x10
NI	4	SWS10900	1/2" STAR WASHERS
NI	2	SNT2031	3/8" NC NUTS
NI	2	SWS2033	STAR WASHERS
NI	1	SFT2502	3/8" PIPE PLUG (DRAIN)



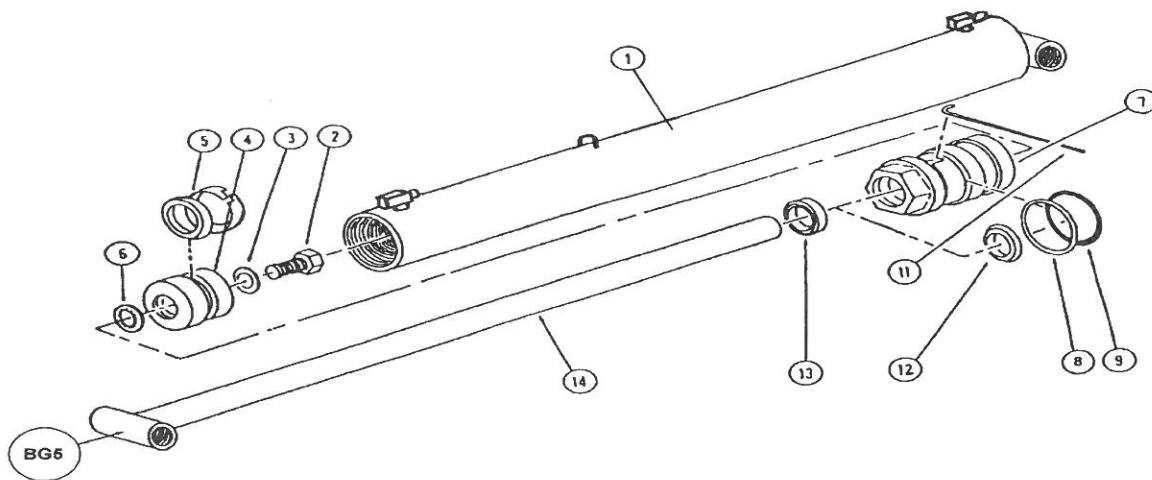
BMT12975 B600 DRAWBAR BRACKET KIT
BMT12971 B600 3-POINT STABILIZER KIT

ILL No	Qty	Part No	Description
1	1	BMT14029	Drawbar Bracket
2	2	SBT12716	U-Bolt 5/8" x 2-1/2" x 2-3/4"
3	2	BMT14031	Spacer Bar
4	2	SMS14028	Adjustable Stabilizer Linkage
5	5	SPN14034	3/4" x 4-1/2" Pins w/ Handle Loop
6	5	SPN11558	1/4" Lynch Pins
7	1	BMT12572	RH Lower Bracket
7	1	BMT12573	LH Lower Bracket
8	4	SPN10453	Pin, Handle Lower Hitch 7/8" X 4-1/2"
9	4	SPN11558	1/4" Lynch Pins
10	1	BMT13291	Lock Bar Assembly B600
11	2	SBT10452	Eyebolt 3/4" x 7"
11a	2	SBT10450	Eyebolt 3/4" x 5"
12	2	SNT2102	3/4" Nut
13	2	SNT10584	3/4" Jam Nut
14	2	SWS2103	3/4" Lockwasher
NI	1	SBT2073	5/8" x 3-1/2" Capscrews
NI	1	SBT10263	3/4" x 3-1/2" Capscrews
NI	1	SWS2089	5/8" Flat washer
NI	5	SNT2086	5/8" Nuts
NI	5	SNT14035	5/8" Jam Nuts
NI	1	SNT2102	3/4" Nut
NI	1	SNT10584	3/4" Jam Nut



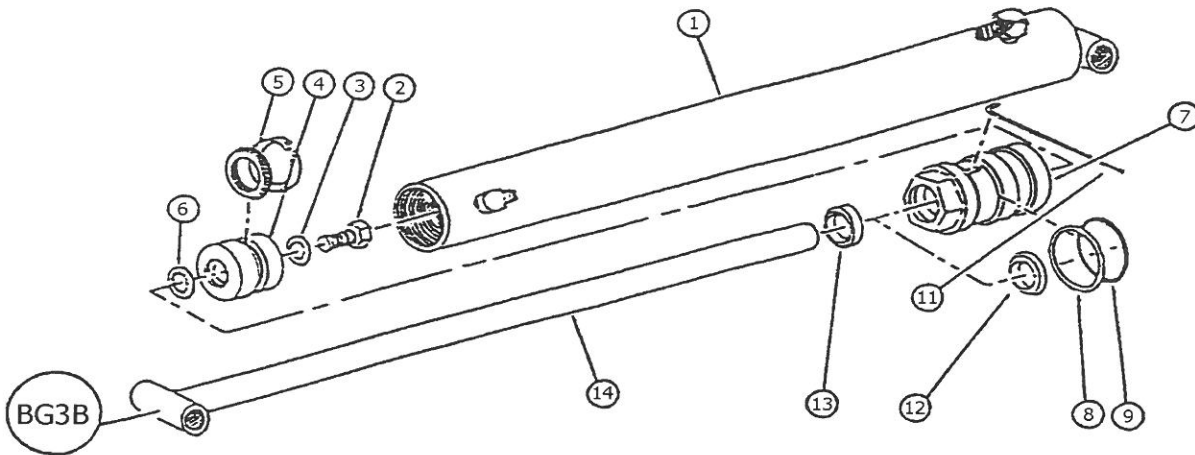
BCY12529 BOOM CYLINDER 2-1/2" x 14"

ILL No	Qty	Part No	Description	ILL No	Qty	Part No	Description
1	1	SCY12559	Barrel Assembly	8*	2	SCY1070	Back Up Ring 2-1/2"
2	1	SBT1017	Capscrew, 7/8"	9*	1	SCY1024	O'Ring 2-1/2"
3*	1	SCY1018	Dyna Seal, 7/8"	11*	1	SCY1026	Lockwire
4	1	SCY1020	Piston	12*	1	SCY1025	Rod Seal
5*	1	SCY1019	Piston Seal	13*	1	SCY1027	Rod Wiper
6*	1	SWS245	Internal Lockwasher	14	1	SCY12560	Rod Assembly
7	1	SCY1023	Cylinder Head	N.I.	1	SCY1030	Seal Kit



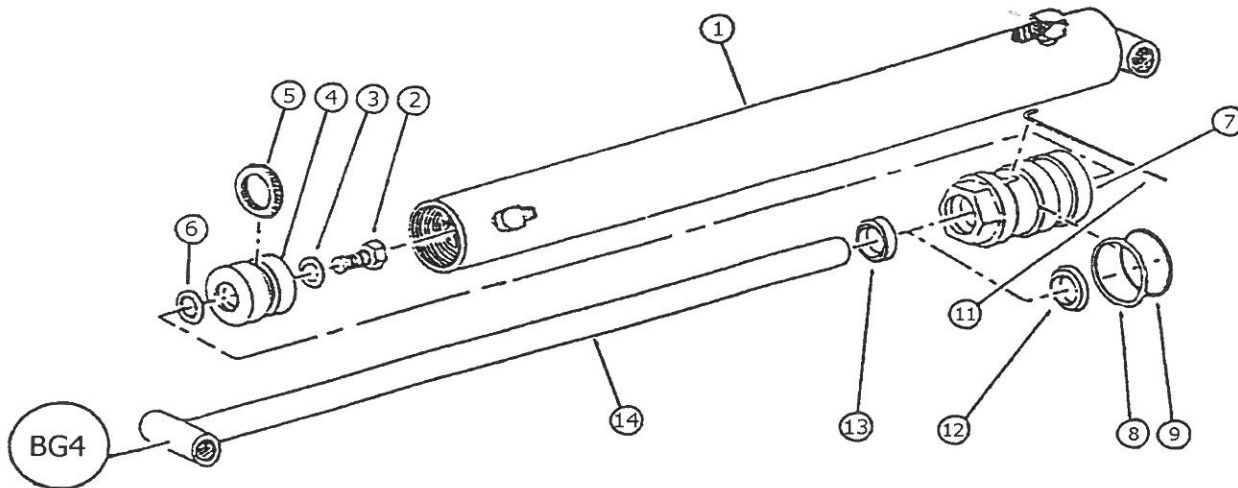
BCY13315 DIPPER STICK CYLINDER 2-1/2" X 10"

ILL No	Qty	Part No	Description	ILL No	Qty	Part No	Description
1	1	SCY13083	Barrel Assembly	8*	1	SCY1070	Back-Up Ring 2-1/2"
2	1	SBT1017	Capscrew, 7/8"	9*	1	SCY1024	O'Ring 2-1/2"
3*	1	SCY1018	Dyna Seal, 7/8"	11*	1	SCY1026	Lockwire
4	1	SCY1020	Piston	12*	1	SCY1025	Rod Seal
5*	1	SCY1019	Piston Seal	13*	1	SCY1027	Rod Wiper
6*	1	SWS245	Internal Lockwasher	14	1	SCY13084	Rod Assembly
7	1	SCY1023	Cylinder Head	NI	1	SCY1030	Seal Kit



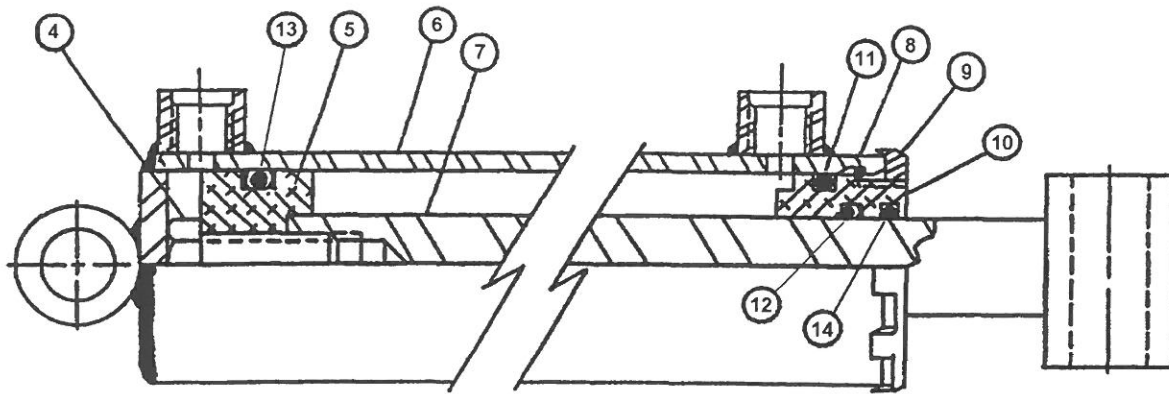
BCY13081 BUCKET CYLINDER 2" x 12"

ILL No	Qty	Part No	Description	ILL No	Qty	Part No	Description
1	1	SCY13085	Barrel Assembly	8	1	SCY10063	Back Up Ring 2"
2	1	SBT1017	Capscrew, 7/8"	9	1	SCY1035	O'Ring 2"
3*	1	SCY1018	Dyna Seal, 7/8"	11	1	SCY1036	Lockwire
4	1	SCY1032	Piston	12	1	SCY1025	Rod Seal
5*	1	SCY1021	Piston Seal	13	1	SCY1027	Rod Wiper
6*	1	SWS245	Internal Lockwasher	14	1	SCY12564	Rod Assembly
7	1	SCY1034	Cylinder Head	N.I.	1	SCY1038	Seal Kit



BCY12538 STABILIZER CYLINDER 2" x 8"

ILL No	Qty	Part No	Description	ILL No	Qty	Part No	Description
1	1	SCY12565	Barrel Assembly	8	1	SCY10063	Back-Up Ring 2"
2	1	SBT1017	Capscrew, 7/8"	9	1	SCY1035	O'Ring 2"
3*	1	SCY1018	Dyna Seal, 7/8"	11	1	SCY1036	Lockwire
4	1	SCY1032	Piston	12	1	SCY1025	Rod Seal
5*	1	SCY14044	Piston Seal Polypack	13	1	SCY1027	Rod Wiper
6*	1	SWS245	Internal Lockwasher	14	1	SCY12566	Rod Assembly
7	1	SCY1034	Cylinder Head	NI	1	SCY14038	Seal Kit polypack



BCY12528 SWING CYLINDER 2-1/2" x 7"

ILL	Part			JD
No	Qty	No	Description	Hydraulic #221
4	1	SBT13144	Capscrew, 5/8" X 2"	
5	1	SCY13143	Piston	JD221B
6	1	SCY13142	Barrel	JD221A
7	1	SCY12861	Rod	JD221D
8	1	SCY12888	Lockwire	JD221M
9	1	SCY12862	Locknut	JD221L
10	1	SCY12877	Head	JD221K
11	1		Head Seal	JD221N
12	1		Back up seal	JD221P
12	1		O'Ring	JD221Q
13	1	SCY1019	Piston Seal	
14	1		Seal Ring	JD221R
NI		SCY12859	Seal Kit	JD221S

NOTES :

Kelley

EQUIPMENT