

# DEWALT®



**Instruction Manual  
Guide D'utilisation  
Manual de instrucciones**

## **DWPW2100**

**Electric Pressure Washer**

**Laveuse à Pression Électrique**

**Lavadora a Presión Eléctrica**

**[www.DEWALT.com](http://www.DEWALT.com)**

**If you have questions or comments, contact us.  
Pour toute question ou tout commentaire, nous contacter.  
Si tiene dudas o comentarios, contáctenos.**

**1-800-4-DEWALT**

---

English (**original instructions**)

4

---

Français (*traduction de la notice d'instructions originale*)

11

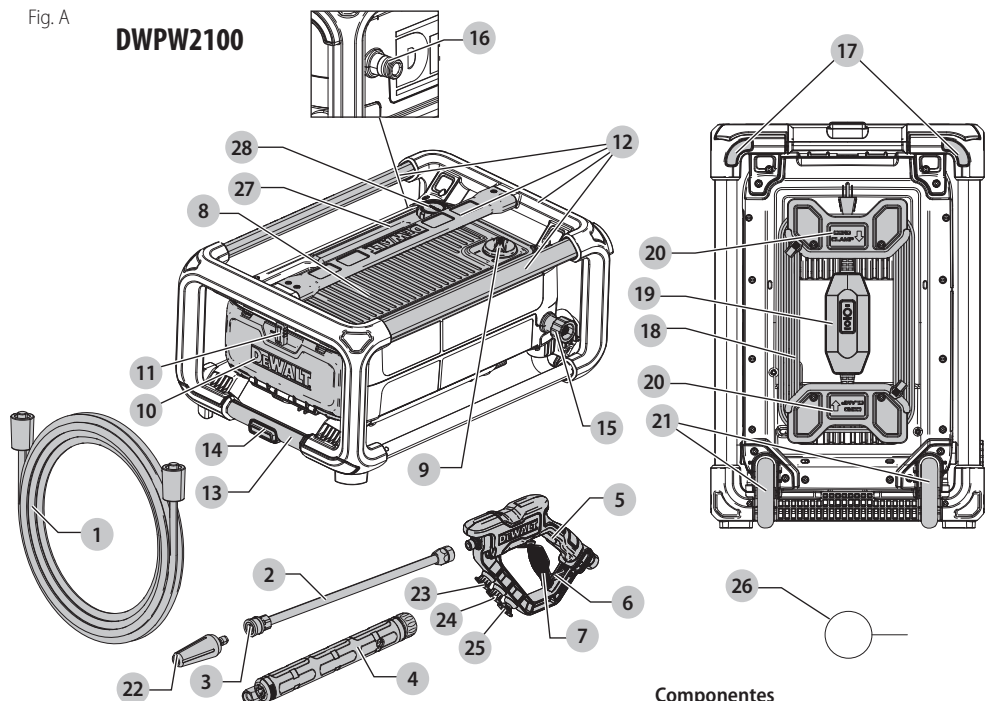
---

Español (*traducido de las instrucciones originales*)

19

---

Fig. A

**DWPW2100****Components**

- 1 High pressure hose
- 2 Spray wand
- 3 Quick connect collar
- 4 Spray handle
- 5 Handle grip
- 6 Trigger lock-off
- 7 Trigger
- 8 Pressure washer unit
- 9 ON/OFF switch
- 10 Storage door
- 11 Door latch
- 12 Carry handles
- 13 Telescoping handle
- 14 Handle release button
- 15 Garden hose water intake
- 16 High pressure water outlet
- 17 Feet
- 18 Power cord
- 19 GFCI plug
- 20 Power cord storage hooks
- 21 Wheels
- 22 Black turbo nozzle
- 23 15 ° Orange nozzle
- 24 40 ° White nozzle
- 25 Soap nozzle
- 26 Nozzle cleaning tool
- 27 Soap tank
- 28 Soap tank cap

**Composants**

- 1 Tuyau à haute pression
- 2 Lance d'arrosage
- 3 Collier de raccord rapide
- 4 Poignée du pulvérisateur
- 5 Manche de la poignée
- 6 Verrou de la gâchette
- 7 Gâchette
- 8 Unité de laveuse à pression
- 9 Boutons MARCHE/ARRÊT
- 10 Porte du rangement
- 11 Verrou de la porte
- 12 Poignées de transport
- 13 Poignée télescopique
- 14 Bouton de libération de la poignée
- 15 Prise d'eau du boyau d'arrosage
- 16 Sortie de l'eau à haute pression
- 17 Pieds
- 18 Cordon d'alimentation
- 19 Fiche DDFI
- 20 Crochets de rangement du cordon d'alimentation
- 21 Roues
- 22 Buse turbo noire
- 23 Buse orange 15°
- 24 Buse blanche 40°
- 25 Buse de savon
- 26 Outil de nettoyage des buses
- 27 Réservoir de savon
- 28 Capuchon du réservoir de savon

**Componentes**

- 1 Manguera de alta presión
- 2 Varilla de rocío
- 3 Collar de conexión rápida
- 4 Manija de rocío
- 5 Sujetador de manija
- 6 Bloqueo en apagado de gatillo
- 7 Gatillo
- 8 Unidad de lavadora a presión
- 9 Interruptor ON/OFF (ENCENDIDO/APAGADO)
- 10 Puerta de almacenamiento
- 11 Seguro de puerta
- 12 Manijas de transporte
- 13 Manija telescópica
- 14 Botón de liberación de manija
- 15 Entrada de agua de manguera de jardín
- 16 Salida de agua de alta presión
- 17 Patas
- 18 Cable de energía
- 19 Enchufe GFCI
- 20 Ganchos de almacenamiento de cable de energía
- 21 Ruedas
- 22 Boquilla turbo negra
- 23 Boquilla naranja de 15 °
- 24 Boquilla blanca de 40 °
- 25 Boquilla de jabón
- 26 Herramienta de limpieza de boquilla
- 27 Tanque de jabón
- 28 Tapa de tanque de jabón

Fig. B

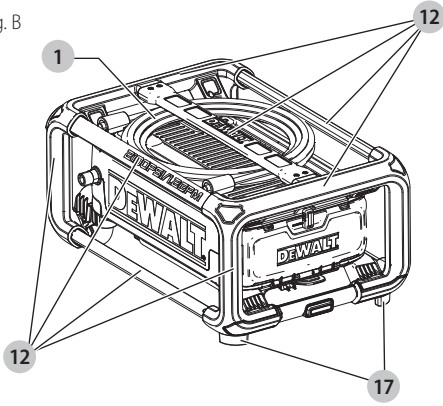


Fig. C

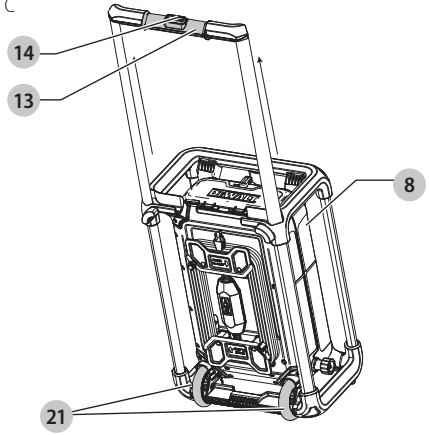


Fig. D

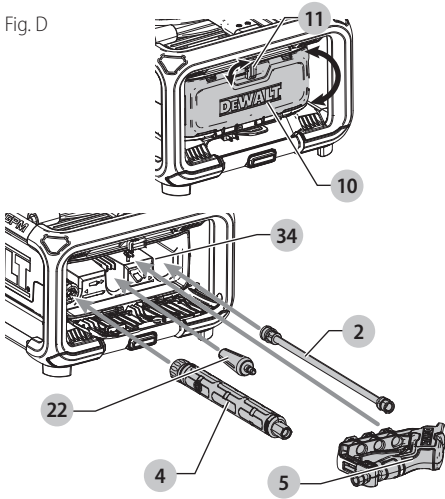


Fig. E

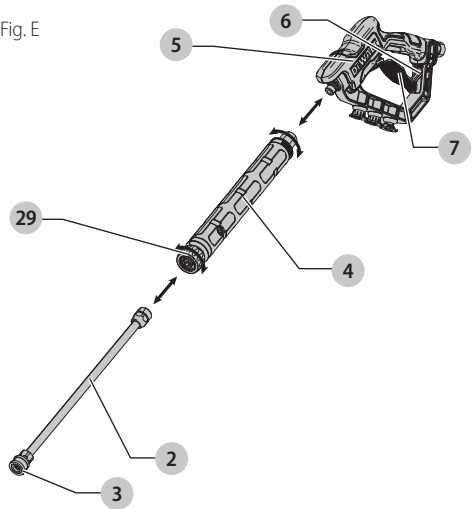


Fig. F

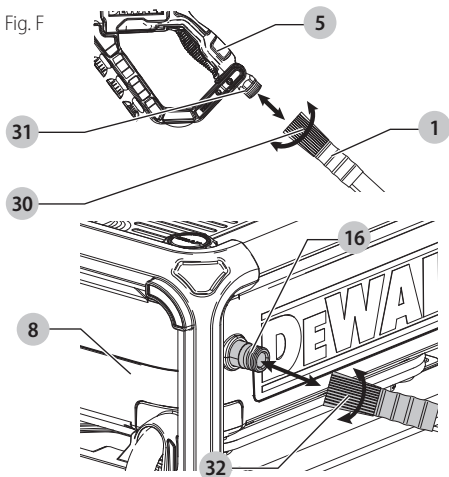


Fig. G

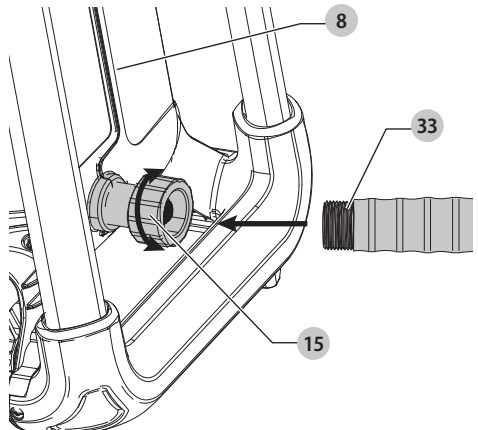


Fig. H

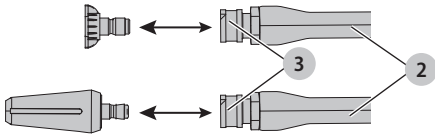


Fig. I

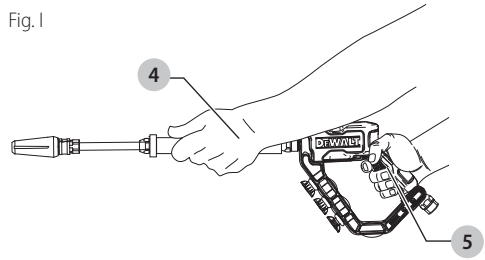


Fig. J

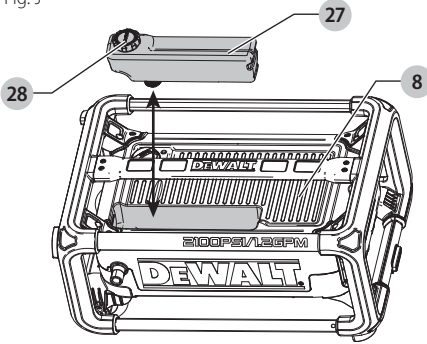


Fig. K

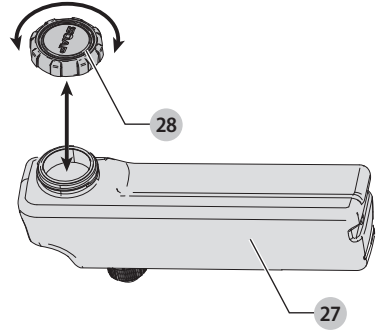


Fig. L

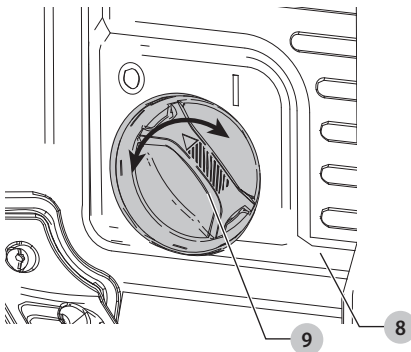


Fig. M

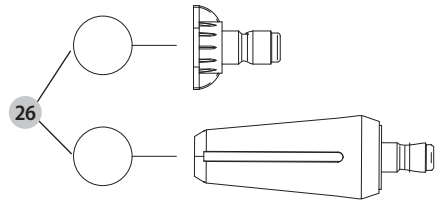
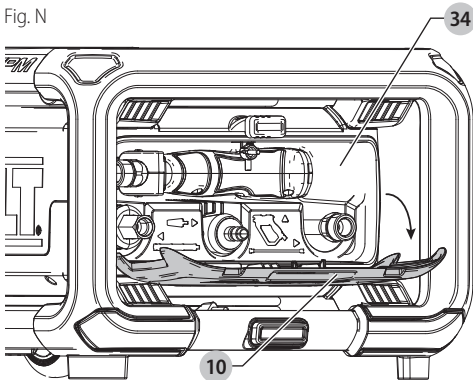


Fig. N





**WARNING:** Read all safety warnings and all instructions. Failure to follow the warnings and instructions may result in electric shock, fire and/or serious injury.



**WARNING:** To reduce the risk of injury, read the instruction manual.

## Intended Use

This pressure washer is intended for cleaning boats, cars, decks, driveways, grills, house siding, motorcycles, patios, and outdoor furniture.

**DO NOT** let children come into contact with the tool.

Supervision is required when inexperienced operators use this tool.

## Definitions: Safety Alert Symbols and Words

This instruction manual uses the following safety alert symbols and words to alert you to hazardous situations and your risk of personal injury or property damage.



**DANGER:** Indicates an imminently hazardous situation which, if not avoided, **will** result in **death or serious injury**.



**WARNING:** Indicates a potentially hazardous situation which, if not avoided, **could** result in **death or serious injury**.



**CAUTION:** Indicates a potentially hazardous situation which, if not avoided, **may** result in **minor or moderate injury**.



(Used without word) Indicates a safety related message.

**NOTICE:** Indicates a practice **not related to personal injury** which, if not avoided, **may** result in **property damage**.

## IMPORTANT SAFETY INSTRUCTIONS



**WARNING:** When using this appliance, basic safety precautions should always be followed including the following:

- Read all the instructions before using the product.
- To reduce the risk of injury, close supervision is necessary when a product is used near children.
- **Know how to stop the product and bleed pressures quickly.** Be thoroughly familiar with the controls.
- Stay alert – watch what you are doing.
- Do not operate the product when fatigued or under the influence of alcohol or drugs.
- Keep operating area clear of all persons.
- **Do not overreach or stand on unstable support.** Keep good footing and balance at all times.
- Follow the maintenance instructions specified in the manual.
- **This product is provided with a ground fault circuit interrupter built into the power cord plug. If replacement of the plug or cord is needed, use only identical replacement parts.**



**CAUTION:** Risk of injection or injury – do not direct discharge stream at persons.

## SAVE THESE INSTRUCTIONS



**WARNING:** Please read this entire manual before attempting to assemble, operate or install the product.



**WARNING:** This unit was designed for specific applications. It should not be modified and/or used for any application other than that which it was designed.

**NOTICE:** Always store your pressure washer in a location where the temperature will not fall below 40 °F (4 °C). Freeze damage is not covered by the warranty.



**WARNING:** This product and its exhaust can expose you to chemicals including lead and lead compounds, and carbon monoxide, which are known to the State of California to cause cancer and birth defects or other reproductive harm. For more information go to [www.P65Warnings.ca.gov](http://www.P65Warnings.ca.gov).

1. Do not touch plug or outlet with wet hands.
2. **Avoid accidental starts.** Move switch on unit to OFF position before connecting or disconnecting cord to electrical outlets.
3. Water spray must never be directed towards any electric wiring or directly towards the pressure washer machine itself or fatal electric shock may occur.
4. **Never carry your pressure washer by the cord.** Do not pull on the cord to disconnect from the outlet.
5. To prevent damage, the cord should not be crushed, placed next to sharp objects or near a heat source.
6. **Check power cords before using.** Damaged cords can reduce performance of pressure washer or cause a fatal electrical shock
7. **The narrow pin point stream is very powerful.** It is not recommended for use on painted surfaces, wood surfaces or items attached with an adhesive backing.
8. Keep operating area clear of all persons and animals.
9. Always use both hands when operating pressure washer to maintain complete control of the wand.
10. **Do not touch nozzle or water spray while operating.** Never place hands in front of nozzle.
11. **Wear safety goggles while operating.** Wear protective clothing and footwear to protect against accidental spraying.
12. Disconnect power plug from the outlet when not in use and prior to the **detaching** of the high pressure hose.
13. **Never tie knots or kink the high pressure hose as damage could result. Inspect the high-pressure hose regularly. Replace the hose immediately if it is damaged, worn or shows any signs of cracks, bubbles, pinholes, or other leakage.** Never grasp a high-pressure hose that is leaking or damaged.
14. **Do not operate or store this product in temperatures below 40 °F (4 °C).** Freeze damage is not covered by the warranty.
15. **Carefully observe all chemical instructions and warnings before using. Use only approved pressure**

**washer cleaners. Do not use bleach, chlorine, or any cleaners containing acids. Always follow manufacturer's label recommendations for proper use of cleaners.** Always protect eyes, skin and respiratory system from cleaners.


16. **The pressure washer should not be used in areas where gas vapors may be present.** An electric spark could cause an explosion or fire.
17. To minimize the amount of water getting into the pressure washer, the unit should be placed as far as possible from the cleaning site during operation.
18. To prevent accidental discharge, the spray gun should be secured by locking the trigger when not in use.
19. To allow free air circulation, the pressure washer should NOT be covered during operation.
20. **Never touch, grasp or attempt to cover a pinhole or similar water leak on the high-pressure hose.** The stream of water IS under high pressure and WILL penetrate skin.
21. **Use only hoses and accessories rated for pressure higher than your pressure washer's psi.** Never use with any other manufacturer's accessories or components.
22. Never defeat the safety features of this product.
23. Do not operate machine with missing, broken or unauthorized parts.
24. Never spray flammable liquids or use pressure washer in areas containing combustible dust, liquid, or vapors.

## Ground Fault Circuit Interrupter Protection

This pressure washer is provided with a ground-fault circuit-interrupter (GFCI) built into the plug of the power-supply cord. This device provides additional protection from the risk of electric shock. Should replacement of the plug or cord become necessary, use only identical replacement parts that include GFCI protection.

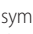
## Extension Cords

Use only extension cords that are intended for outdoor use. These extension cords are identified by a marking "Acceptable for use with outdoor appliances; store indoors while not in use." Use only extension cords having an electrical rating not less than the rating of the product. Do not use damaged extension cords. Examine extension cord before using and replace if damaged. Do not abuse extension cord and do not yank on any cord to disconnect. Keep cord away from heat and sharp edges. Always disconnect the extension cord from the receptacle before disconnecting the product from the extension cord.

 **WARNING:** To reduce the risk of electrocution, keep all connections dry and OFF the ground. Do not touch plug with wet hands.

## Servicing of Double Insulated Appliances

Your appliance is double-insulated to give you added safety. In a double insulated appliance, two systems of insulation are provided instead of grounding. No grounding means is provided on a double insulated appliance, nor should a means for grounding be added to the appliance.


Servicing a double insulated appliance requires extreme care and knowledge of the system and should be done only by qualified service personnel. Replacement parts for a double insulated appliance must be identical to the parts they replace. A double insulated appliance is marked with the words double insulated or "double insulation". The symbol  (square within a square) may also be marked on the appliance.

## Additional Safety Information

 **WARNING:** Never modify the power tool or any part of it. Damage or personal injury could result.


 **WARNING: ALWAYS** use safety glasses. Everyday eyeglasses are NOT safety glasses. Also use face or dust mask if operation is dusty. ALWAYS WEAR CERTIFIED SAFETY EQUIPMENT:


- ANSI Z87.1 eye protection (CAN/CSA Z94.3),
- ANSI S12.6 (S3.19) hearing protection,
- NIOSH/OSHA/MSHA respiratory protection.


 **WARNING:** Some dust contains chemicals known to State of California to cause cancer, birth defects or other reproductive harm. Some examples of these chemicals are:

- compounds in fertilizers,
- compounds in insecticides, herbicides and pesticides,
- arsenic and chromium from chemically treated lumber.

To reduce your exposure to these chemicals, wear approved safety equipment such as dust masks that are specially designed to filter out microscopic particles.

 **WARNING:** Use of this tool can generate and/or disperse dust, which may cause serious and permanent respiratory or other injury. Always use NIOSH/OSHA approved respiratory protection appropriate for the dust exposure. Direct particles away from face and body.

 **WARNING: Always wear proper personal hearing protection that conforms to ANSI S12.6 (S3.19) during use.** Under some conditions and duration of use, noise from this product may contribute to hearing loss.

 **CAUTION: When not in use, place tool on its side on a stable surface where it will not cause a tripping or falling hazard.** Some tools will stand upright but may be easily knocked over.




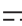








- **Air vents often cover moving parts and should be avoided.** Loose clothes, jewelry or long hair can be caught in moving parts.
- **An extension cord must have adequate wire size (AWG or American Wire Gauge) for safety.** The smaller the gauge number of the wire, the greater the capacity of the cable, that is, 16 gauge has more capacity than 18 gauge. An undersized cord will cause a drop in line voltage resulting in loss of power and overheating. When using more than one extension to make up the total length, be sure each individual extension contains at least the

minimum wire size. The following table shows the correct size to use depending on cord length and nameplate ampere rating. If in doubt, use the next heavier gauge. The lower the gauge number, the heavier the cord.

**Minimum Gauge for Cord Sets**

Volts	Total Length of Cord in Feet (meters)					
	120 V	25 (7.6)	50 (15.2)	100 (30.5)	150 (45.7)	
240 V	50 (15.2)	100 (30.5)	200 (61.0)	300 (91.4)		
Ampere Rating		American Wire Gauge				
More Than	Not More Than					
0	6	18	16	16	14	
6	10	18	16	14	12	
10	12	16	16	14	12	
12	16	14	12	Not Recommended		

The label on your tool may include the following symbols. The symbols and their definitions are as follows:

V .....	volts		or AC.....	alternating current
Hz .....	hertz		or AC/DC.....	alternating or direct current
min .....	minutes		.....	Class II Construction (double insulated)
 or DC.....	direct current	n <sub>0</sub> .....	no load speed	
	Class I Construction (grounded)	n .....	rated speed	
... /min.....	per minute	PSI.....	pounds per square inch	
BPM.....	beats per minute		earthing terminal	
IPM.....	impacts per minute		safety alert symbol	
OPM.....	oscillations per minute		visible radiation do not stare into the light	
RPM.....	revolutions per minute		wear respiratory protection	
sfpn .....	surface feet per minute		wear eye protection	
SPM.....	strokes per minute		wear hearing protection	
A.....	amperes		read all documentation	
W.....	watts			
Wh.....	watt hours			
Ah.....	amp hours			

## Motor

Be sure your power supply agrees with the nameplate marking. Voltage decrease of more than 10% will cause loss of power and overheating. These tools are factory tested; if this tool does not operate, check power supply.

## ASSEMBLY AND ADJUSTMENTS



**WARNING: To reduce the risk of serious personal injury, turn unit off and disconnect it from power source before making any adjustments or removing/installing attachments or accessories. An accidental start-up can cause injury.**

## Specifications

Maximum Pounds per Square Inch*	2100
Rated Gallons per Minute*	1.2
Electrical Requirements	120VAc ~60Hz, 13A
Electrical Cord	35 ft. (10.6 m)
High Pressure Hose	25 ft. (7.6 m)
Minimum Amp Source	15A
Pressure of Inlet Water	20-100 PSI
Inlet Water	Cold Tap

\*Water flow and maximum pressure ratings determined in accordance with CETA CPC-100.

## Cage Carrying Handles (Fig. B)

This pressure washer has a protective cage that protects the pressure washer from daily jobsite abuse but also provides multiple carry handle **12** options. Carry the pressure washer using whichever part of the cage that is convenient for your application.

## Telescoping Handle (Fig. C)

This pressure washer has a convenient, built in telescoping handle and transport wheels.

- To unlock the telescoping handle **13**, press the handle release button **14** and slide the handle upwards. You will hear an audible click when it snaps into position.
- To store the telescoping handle **13**, press the handle release button **14** and slide the telescoping handle down and into the pressure washer body. You will hear an audible click when it snaps into position.
- To move the pressure washer **8**, tilt the unit so the transport wheels **21** are touching the ground and pull the unit by the telescoping handle.

## Accessory Storage Compartment (Fig. D)

This pressure washer has a built in accessory storage compartment **34** to carry the spray wand, spray handle, handle grip and turbo nozzle.

- To unlock the storage door **10**, rotate the door latch **11** counterclockwise and flip the door down to access the spray wand **2**, spray handle **4**, handle grip **5**, and turbo nozzle **22**.
- To lock the storage door **10**, lift the storage door up to the closed position. Rotate the door latch **11** clockwise to lock the storage door into position.

## Assembling Spray Wand (Fig. E)

- To connect the spray handle **4** to the handle grip **5**, insert the threaded end of the spray handle onto the threaded end of the handle grip. Rotate the spray handle **4** clockwise until fully tightened.
- To connect the spray wand **2** to the spray handle **4**, insert the threaded end of the spray wand into the threaded collar **29** of the spray handle. Rotate the threaded collar **29** clockwise until fully tightened.



## Attaching High Pressure Hose (Fig. F)

**CAUTION:** NEVER PULL WATER SUPPLY HOSE TO MOVE pressure washer. This could damage hose and/or pump inlet.

This pressure washer has a built in storage area to carry the high pressure hose. The coiled hose is secured between the cage and the main body.

**NOTE:** Uncoil the high pressure hose 1 before installation to prevent kinks.

**NOTE:** Avoid cross threading when installing the hose. Cross threading will cause leaks.

1. To connect the high pressure hose 1 to the handle grip 5, thread the hose collar 30 onto the inlet coupler 31.
2. To connect the high pressure hose to the pressure washer unit 8, thread the hose collar 32 onto the high pressure water outlet 16.

## Attaching Garden Hose (Fig. G)

**NOTE:** Before connecting the garden hose to the pressure washer unit, run water through the garden hose for thirty seconds to clear any debris from inside the garden hose.

1. To connect a garden hose to the pressure washer unit 8, place the end of the garden hose 33 inside the water intake 15.
2. Securely tighten the garden hose by hand.

**NOTE:** Always disconnect the garden hose after usage.

## Attaching Nozzles (Fig. H)

**DANGER:** Risk of fluid injection. Do not direct discharge stream toward persons, unprotected skin, eyes or any pets or animals. Serious injury will occur.

**WARNING:** Flying objects could cause risk of serious injury. DO NOT attempt to change nozzles while pressure washer is running. Turn pressure washer unit OFF before changing nozzles.

1. To connect a nozzle to the spray wand 2, pull the quick connect collar 3 toward the spray wand and insert the appropriate nozzle.
2. Release the quick connect collar to lock the nozzle in place.
3. Give the nozzle a firm tug after the quick connect collar has locked into place to ensure the nozzle is locked into place.

**NOTE:** The tips listed below might not be included with your pressure washer but are available for purchase at an additional cost.

Common Spray Tips	Common Applications
15 ° Orange Nozzle	For brick or masonry.
25 ° Green Nozzle	For vinyl siding.
40 ° White Nozzle	For automotive washing.
Soap Nozzle	To apply detergents
Black Turbo Nozzle	For abrasive cleaning.

## OPERATION

**WARNING:** To reduce the risk of serious personal injury, turn unit off and disconnect it from power source before making any adjustments or removing/installing attachments or accessories. An accidental start-up can cause injury.

### Proper Hand Position (Fig. I)

**WARNING:** To reduce the risk of serious personal injury, ALWAYS use proper hand position as shown.

**WARNING:** To reduce the risk of serious personal injury, ALWAYS hold securely in anticipation of a sudden reaction.

Proper hand position requires one hand on the spray handle grip 5 and the other hand on the spray handle 4.

### Correct Pressure Washer Unit Position (Fig. A, B)

**CAUTION:** Before operation:

Always keep the unit right-side up with its feet 17 and wheels 21 on the ground as shown in Fig. B.

**NOTE:** Never attempt to use the pressure washer while standing vertically, on its side, or flipped over on the ground.

### Test Ground-Fault Circuit-Interrupter (GFCI) Before Each Use (Fig. A)

This pressure washer is provided with a ground-fault circuit-interrupter (GFCI) built into the plug of the power-supply cord. This device provides additional protection from the risk of electric shock.

1. Plug the Ground Fault Circuit Interrupter (GFCI) into a working grounded outlet.
2. The indicator at the top of the GFCI should turn green when product is ready to use.
3. Press the "TEST" button (bottom). The green indicator should disappear.
4. Press "RESET" button for use.
5. Do not use the pressure washer if the above test fails.

### Soap Tank (J, K)

This pressure washer has a built in soap tank 27.

1. To remove the soap tank, turn off the pressure washer and turn off the water supply.
2. Pull trigger on gun handle to relieve any water pressure.
3. Lift the soap tank 27 out of the pressure washer unit 8.
4. Remove soap tank cap 28 and fill with appropriate detergent following the detergent manufactures instructions.
5. Fit and tighten soap tank cap 28 before reinstalling soap tank 27 to the pressure washer unit.
6. To clean the soap tank 27, empty any remaining detergent back into its bottle. Use water from a garden hose to thoroughly rinse out the tank. Empty the tank and allow it to dry.
7. Reinstall soap tank to pressure washer unit and ensure the soap tank is fully secured into the pressure washer unit.

## Pressure Washing (Fig. A–L)

### Preparing Surface for Cleaning

- Remove objects from the area which could create a hazard such as children's toys or outdoor furniture.
- Insure that all doors and windows are closed tight. Protect all plants and trees in the adjacent area with a drop cloth ensuring that they will not be harmed by any overspray.
- Pre-rinse cleaning area with fresh water.
- Use only detergents formulated for pressure washers.
- Always test detergent in an inconspicuous area before use.

### Preparing Pressure Washer Unit for Use



**DANGER:** Risk of fluid injection and laceration. When using the high-pressure setting, DO NOT allow the high-pressure spray to come in contact with unprotected skin, eyes, or with any pets or animals. Serious injury will occur.



**CAUTION:** Before operation:

1. Connect the water supply to the pressure washer. For instructions on connecting the water supply to the pressure washer, please refer to **Attaching Garden Hose** under **Assembly and Adjustments**.
2. Connect the high pressure hose to the pressure washer and the pressure wand. For instructions on connecting the high pressure hose to the pressure washer and pressure wand, please refer to **Attaching High Pressure Hose** under **Assembly and Adjustments**.

### Preparing Spray Wand (Fig. E)

**IMPORTANT:** Before turning on the pressure washer unit, disengage the trigger lock-off **6** and squeeze the trigger **7**.

1. Spray wand must be assembled before use. Please refer to **Assembling Spray Wand** under **Assembly and Adjustments**.
2. Disengage the trigger lock-off **6**.
3. Squeeze the trigger **7**. Hold the trigger for 30 seconds to purge the system of air.
4. If air is still found in the water stream, continue to run water through the spray wand.

### Cleaning a Surface (Fig. L)

1. To start the pressure washer, rotate the ON/OFF switch **9** to the ON position.
2. The best angle for spraying water against a cleaning surface is 45°.
  - Spraying head on tends to cause dirt particles to imbed in the surface.
  - When working on vertical surfaces, it is best to apply detergent starting at the bottom and working upwards which will prevent the detergent from sliding down and causing streaks.
3. To disengage the spray handle, release the trigger.

### Moving the Pressure Washer (Fig. A–C)

1. Turn OFF the pressure washer unit **8** by rotating the on/off switch **9** to the OFF position. Then turn OFF the water supply.
2. Point the spray wand **2** in a safe direction and pull the trigger **7** to release remaining water pressure.
3. When the spray wand is completely empty, lift the pressure washer by the carry handles **12** or pull up the telescoping handle **13** and wheel the unit to your next location.

### Shutdown (Fig. A, E, L)

1. Turn OFF the pressure washer unit **8** by rotating the on/off switch **9** to the off position. Then turn OFF the water supply and unplug the cord from the outlet.
2. Discharge residual pressure by squeezing the trigger **7** until no more water comes out of the spray wand **2**.
3. Engage the spray trigger lock-off **6**.
4. Disconnect the garden hose from the water intake **15**.
5. Disconnect the high pressure hose **1** from the high pressure water outlet **16** and drain hose.

### MAINTENANCE



**WARNING:** To reduce the risk of serious personal injury, turn unit off and disconnect it from power source before making any adjustments or removing/installing attachments or accessories. An accidental start-up can cause injury.

Your DEWALT power tool has been designed to operate over a long period of time with a minimum of maintenance. Continuous satisfactory operation depends upon proper tool care and regular cleaning.

### Cleaning



**WARNING:** Blow dirt and dust out of all air vents with clean, dry air at least once a week. To minimize the risk of eye injury, always wear ANSI Z87.1 approved eye protection when performing this procedure.



**WARNING:** Never use solvents or other harsh chemicals for cleaning the non-metallic parts of the tool. These chemicals may weaken the plastic materials used in these parts. Use a cloth dampened only with water and mild soap. Never let any liquid get inside the tool; never immerse any part of the tool into a liquid.

### Nozzle Cleaning (Fig. M)

If the nozzle becomes clogged with foreign materials, such as dirt, excessive pressure may develop. If the nozzle becomes partially clogged or restricted, the pump pressure will pulsate. Clean the nozzle immediately using the nozzle cleaner.

1. Turn OFF and unplug the pressure washer unit **8**.
2. Turn OFF the water supply.
3. Pull trigger **7** on spray handle **5** to relieve any water pressure.
4. Remove the nozzle from the spray wand **2** by pulling the quick connect collar **3** toward the spray wand.
5. Using the nozzle cleaning tool **26**, unplug any debris from the nozzle.
6. Run water from a faucet or garden hose through the nozzle.

## Storage (Fig. A, B, D, N)

- Store in a dry, covered location above freezing temperature. STORE INDOORS.
- Always completely empty water from high pressure hose, pressure washer unit, nozzles, and spray wand.
- Nozzles can be stored in the nozzle storage slots on the handle grip as shown in Fig. A.
- Power cord can be stored coiled up around the power cord retaining hooks **20** as shown in Fig. A.
- High pressure hose can be stored coiled up and secured between the cage and the pressure washer unit **8** as shown in Fig. B.
- Spray wand can be stored, broken down into three pieces, in the storage compartment **34** as shown in Fig. D and Fig. N.
- Turbo nozzle can be stored in the storage compartment **34** as shown in Fig. D and Fig. N.
- Pressure washer unit **8** can be stored vertically or horizontally, but only stack things on top of unit in the horizontal storage position as shown in Fig. B

## Accessories



**WARNING:** *Since accessories, other than those offered by DeWALT, have not been tested with this product, use of such accessories with this tool could be hazardous. To reduce the risk of injury, use only DeWALT accessories recommended for this product.*

Recommended accessories for use with your tool are available at extra cost from your local dealer or authorized service center. If you need assistance in locating any accessory, please contact DeWALT call 1-800-4-DeWALT (1-800-433-9258) or visit our website: [www.dewalt.com](http://www.dewalt.com).

## Repairs



**WARNING:** *To assure product SAFETY and RELIABILITY, repairs, maintenance and adjustment (including power cord repairs, and brush inspection and replacement, when applicable) should be performed by a DeWALT factory service center or a DeWALT authorized service center. Always use identical replacement parts.*

## Register Online

Thank you for your purchase. Register your product now for:

- **WARRANTY SERVICE:** Registering your product will help you obtain more efficient warranty service in case there is a problem with your product.
- **CONFIRMATION OF OWNERSHIP:** In case of an insurance loss, such as fire, flood or theft, your registration of ownership will serve as your proof of purchase.
- **FOR YOUR SAFETY:** Registering your product will allow us to contact you in the unlikely event a safety notification is required under the Federal Consumer Safety Act.
- Register online at [www.dewalt.com](http://www.dewalt.com)

## Three Year Limited Warranty

For warranty terms, go to <https://www.dewalt.com/Legal/Warranty/3-Year-Limited-Warranty>.

To request a written copy of the warranty terms, contact: Customer Service at DeWALT Industrial Tool Co., 701 East Joppa Road, Towson, MD 21286 or call 1-800-4-DeWALT (1-800-433-9258).

**LATIN AMERICA:** This warranty does not apply to products sold in Latin America. For products sold in Latin America, see country specific warranty information contained in the packaging, call the local company or see website for warranty information.


**FREE WARNING LABEL REPLACEMENT:** If your warning labels become illegible or are missing, call 1-800-4-DeWALT (1-800-433-9258) for a free replacement.

## TROUBLESHOOTING



**WARNING: Risk of Unsafe Operation. Before servicing unit unplug or disconnect electrical supply, turn water supply off, discharge residual pressure, and engage spray handle lock-off.**

PROBLEM	CAUSE	CORRECTION
Motor does not start.	Unit not plugged in.	Plug in power cord.
	ON/OFF switch is in the OFF position.	Turn switch to the ON position.
	Wand trigger not being squeezed.	Squeeze trigger with switch in ON position.
	GFCI tripped.	Press reset button at GFCI on plug end of cord. Check the breaker in your household electrical panel. If the breaker is tripped, reset breaker.
Unit does not reach high pressure.	Water faucet not fully turned on.	Open water valve fully.
	Water inlet filter clogged.	Remove filter and rinse to clean.
	Nozzle worn.	Replace with new nozzle.
	Pump is sucking air.	Check that hoses and fittings are air tight. Turn OFF machine and purge pump by squeezing trigger gun until a steady flow of water emerges from the nozzle.
	Water supply restricted.	Check water hose for kinks, leaks and blockage.
Output pressure varies high/low.	Not enough inlet water supply.	Turn water on full force - check hose for leaks and kinks.
	Pump is sucking air.	Check that hoses and fittings are air tight. Turn OFF machine and purge pump by squeezing trigger gun until a steady flow of water emerges from the nozzle.
	Water inlet screen clogged.	To unclog, rinse OFF with water.
	Discharge nozzle is obstructed.	Blow out or remove debris.
No detergent.	Not using the soap nozzle.	Detergent only comes out when using the soap nozzle. Detergent will not flow out when using a high pressure nozzle.
	Soap tank is empty.	Add more detergent.
	Soap tank not properly connected.	Check connections. Ensure that the soap tank is fully secured into the pressure washer unit.
	Detergent is too thick.	Use detergent recommended for use in pressure washers only.
	Damaged or clogged detergent suction ports.	Remove obstruction or debris and run warm water over the detergent suction ports.
	Discharge nozzle is obstructed.	Blow out or remove debris. Run warm water through nozzle to remove debris
Garden hose connection leaks.	Loose fittings.	Tighten fittings.
	Missing/worn rubber washer.	Replace washer in hose adapter.
Spray wand or extension leaks.	Spray wand not properly attached.	Please refer to <b>Assembling Spray Wand</b> under <b>Assembly and Adjustments</b> .
	Broken O-ring.	Contact DeWALT customer service representative at 1-800-4-DeWALT (1-800-433-9258).
Pump is excessively noisy.	Pump is sucking air.	Check that hoses and fittings are air tight. Turn OFF machine and purge pump by squeezing trigger gun until a steady flow of water emerges from the nozzle.
Water leaks from pump.	Loose fittings.	Check that all fittings are tight.
	Water seals are damaged or worn.	Contact DeWALT customer service representative at 1-800-4-DeWALT (1-800-433-9258).
Oil leaks.	Oil seals are damaged or worn.	Contact DeWALT customer service representative at 1-800-4-DeWALT (1-800-433-9258).
Motor buzzes but fails to run.	Supply voltage below minimum.	Verify that only the pressure washer is running on this circuit.
	System has residual pressure.	Turn unit off, squeeze trigger on spray wand to release pressure, then turn unit on.
	Voltage loss due to extension cord.	Plug directly into outlet.
	Cleaner not used for long periods.	Contact DeWALT customer service representative at 1-800-4-DeWALT (1-800-433-9258).

 **AVERTISSEMENT : lire tous les avertissements de sécurité et toutes les directives.** Le non-respect des avertissements et des directives pourrait se solder par un choc électrique, un incendie et/ou une blessure grave.

 **AVERTISSEMENT :** afin de réduire le risque de blessures, lire le mode d'emploi de l'outil.

## Utilisation prévue

Cette laveuse à pression n'est pas conçue pour le nettoyage de bateaux, d'autos, de terrasses, d'entrées, de grils, de parements de maison, de motos, de patios et de meubles extérieurs.


**NE PAS** laisser les enfants entrer en contact avec l'outil.


Une supervision est requise lorsque des utilisateurs inexpérimentés utilisent cet outil.


## Définitions : symboles et termes


### d'alarmes sécurité

Ces guides d'utilisation utilisent les symboles et termes d'alarmes sécurité suivants pour vous prévenir de situations dangereuses et de risques de dommages corporels ou matériels.

 **DANGER :** indique une situation dangereuse imminente qui, si elle n'est pas évitée, **entraînera la mort ou des blessures graves.**


 **AVERTISSEMENT :** indique une situation potentiellement dangereuse qui, si elle n'est pas évitée, **pourrait entraîner la mort ou des blessures graves.**

 **ATTENTION :** indique une situation potentiellement dangereuse qui, si elle n'est pas évitée, **pourrait entraîner des blessures légères ou modérées.**

 (Si utilisé sans aucun terme) Indique un message propre à la sécurité.


**AVIS :** indique une pratique ne posant **aucun risque de dommages corporels** mais qui par contre, si rien n'est fait pour l'éviter, **pourrait poser des risques de dommages matériels.**

## CONSIGNES DE SÉCURITÉ IMPORTANTES

 **AVERTISSEMENT :** lorsque vous utilisez cet appareil, des consignes de sécurité élémentaires devraient toujours être prises, incluant les suivantes :


- Lisez toutes les instructions avant d'utiliser le produit.
- Afin de réduire le risque de blessures, une surveillance nécessaire lorsqu'un produit est utilisé près des enfants.
- **Sachez comment arrêter le produit et purger la pression rapidement.** Soyez très familier avec les commandes.
- Demeurez vigilant : regardez ce que vous faites.
- Ne pas utiliser le produit lorsque vous êtes fatigué ou sous l'influence de l'alcool ou de drogues.
- Gardez toutes les personnes à l'écart de la zone de travail.
- **Ne pas trop s'étirer ou se tenir debout sur un support instable.** Maintenez vos pieds bien daplomb sur le sol et un bon équilibre en tout temps.

- Suivez les instructions d'entretien indiquées dans le guide.
- **Ce produit est fourni avec un disjoncteur de fuite à la terre intégré dans la fiche du cordon. Si le remplacement de la fiche ou du cordon est nécessaire, utilisez seulement des pièces de remplacement identiques.**


 **ATTENTION :** Risque d'injection ou de blessure. Ne pas diriger le jet vers des personnes.

## CONSERVEZ CES INSTRUCTIONS

 **AVERTISSEMENT :** veuillez lire tout le guide avant de tenter d'assembler, d'utiliser ou d'installer le produit.

 **AVERTISSEMENT :** l'unité a été conçue pour des applications spécifiques. Elle ne doit pas être modifiée et/ou utilisée pour toute autre application que celles pour lesquelles elle a été conçue.

**AVIS :** entreposez toujours votre laveuse à pression dans un endroit où la température ne tombera pas sous 4 °C (40 °F). Les dommages dus au gel ne sont pas couverts par la garantie.

 **AVERTISSEMENT :** ce produit et son évacuation peuvent vous exposer à des produits chimiques, incluant le plomb et ses composés ainsi que du monoxyde de carbone qui sont connus par l'État de la Californie pour causer le cancer et des déformations congénitales ou d'autres sévices au système reproducteur. Pour plus de renseignements, consultez [www.P65Warnings.ca.gov](http://www.P65Warnings.ca.gov).

1. Ne pas toucher à la fiche ou à l'outil avec les mains mouillées.
2. **Évitez le démarrage accidentel.** Déplacez la gâchette à la position Arrêt avant de brancher ou de débrancher le cordon de la prise électrique.
3. Le jet d'eau ne doit jamais être dirigé vers tout câblage électrique ou directement vers la laveuse à pression elle-même ou un choc électrique peut se produire.
4. **Ne jamais transporter la laveuse à pression par le cordon.** Ne pas tirer sur le cordon pour le débrancher de la prise.
5. Afin de prévenir les dommages, le cordon ne doit jamais être écrasé, placé près d'objets coupants ou près d'une source de chaleur.
6. **Vérifiez les cordons d'alimentation avant l'utilisation.** Les cordons endommagés peuvent réduire la performance de la laveuse à pression ou causer un choc électrique fatal.
7. **Le jet très précis étroit est très puissant.** Il est déconseillé pour l'utilisation sur des surfaces peintes, en bois ou des articles ayant un dos adhésif.
8. La zone de travail doit être exempte de personnes et d'animaux.
9. Utilisez les deux mains lorsque vous faites fonctionner la laveuse à pression pour maintenir le contrôle complet de la lance.
10. **Ne pas toucher la buse ou le pulvérisateur d'eau pendant l'utilisation.** Ne jamais placer les mains à l'avant de la buse.

11. **Portez des lunettes de sécurité pendant l'utilisation.**  
Portez des vêtements et des chaussures de protection contre la pulvérisation accidentelle.
12. Débranchez la fiche d'alimentation de la prise lorsque vous ne l'utilisez pas et avant de détacher le tuyau à haute pression.
13. **Ne jamais faire des nœuds ou tortiller le tuyau à haute pression puisque cela pourrait causer des dommages. Inspectez régulièrement le tuyau à haute pression. Remplacez immédiatement le tuyau s'il est endommagé, usé ou s'il montre des signes de fissures, des bulles, des perforations ou d'autres fuites.** Ne jamais saisir le tuyau à haute pression s'il fuit ou s'il est endommagé.
14. **Ne pas utiliser ou entreposer ce produit à des températures inférieures à 4 °C (40 °F).** Les dommages dus au gel ne sont pas couverts par la garantie.
15. **Suivez attentivement toutes les instructions et les avertissements des produits chimiques avant l'utilisation. Utilisez seulement des laveuses à pression approuvées. Ne pas utiliser d'eau de Javel, de chlore ou tout autre nettoyant contenant des acides. Suivez toujours les recommandations des étiquettes du fabricant pour une utilisation appropriée des laveuses.** Protégez vos yeux, votre peau et votre système respiratoire des laveuses.
16. **La laveuse à pression ne doit pas être utilisée dans des endroits où des vapeurs et des gaz peuvent être présents.** Une étincelle électrique peut causer une explosion ou un incendie.
17. Pour minimiser la quantité d'eau entrant dans la laveuse à pression, l'unité doit être placée aussi près que possible du site de nettoyage durant l'utilisation.
18. Pour prévenir une décharge accidentelle, le pistolet doit être sécurisé en verrouillant la gâchette lorsque lorsqu'il est inutilisé.
19. Pour permettre la circulation de l'air libre, la laveuse à pression NE DOIT PAS être couverte durant l'utilisation.
20. **Ne jamais toucher, saisir ou tenter de couvrir une perforation ou une fuite d'eau semblable sur le tuyau à haute pression.** Le jet d'eau EST sous haute pression et TRANSPERCERA la peau.
21. **Utilisez seulement les tuyaux et les accessoires classés pour une pression plus élevée que le psi de votre laveuse à pression.** Ne jamais utiliser avec des accessoires ou des composants d'autres fabricants.
22. Ne jamais défaire les dispositifs de sécurité de ce produit.
23. Ne pas utiliser la machine avec des pièces manquantes brisées ou non autorisées.
24. Ne jamais vaporiser des liquides inflammables ou utiliser la laveuse à pression dans des endroits comportant de la poussière, du liquide ou des vapeurs combustibles.

## Protection du disjoncteur de fuite à la terre

Cette laveuse à pression est offerte avec un disjoncteur de fuite à la terre (DDFT) intégré dans la fiche du cordon d'alimentation. Cet appareil offre une protection supplémentaire contre le risque de choc électrique. S'il s'avère nécessaire de remplacer la fiche ou le cordon, utilisant seulement des pièces de rechange identiques qui incluent une protection DDFT.

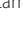
## Rallonges

Utilisez seulement des rallonges qui sont conçues pour une utilisation extérieure. Ces rallonges sont identifiées par l'inscription « Acceptable pour une utilisation avec des appareils extérieurs; entreposez à l'intérieur lorsqu'elle n'est pas utilisée ». Utilisez seulement des rallonges ayant un classement électrique qui n'est pas inférieur au classement du produit. Ne pas utiliser des rallonges endommagées. Examinez régulièrement la rallonge avant de l'utiliser et remplacez-la si elle est endommagée. Ne pas abuser de la rallonge et ne pas tirer sur toute rallonge pour débrancher. Gardez le cordon à l'écart de la chaleur et des bords coupants. Débranchez toujours la rallonge de la prise avant de débrancher le produit de la rallonge.



**AVERTISSEMENT :** afin de réduire le risque d'électrocution, gardez tous les branchements secs et au-dessus du sol. Ne pas toucher la fiche avec les mains mouillées.

## Entretien des appareils à isolation double

Votre appareil est à isolation double pour vous offrir plus de sécurité. Dans un appareil à isolation double, deux systèmes d'isolation sont fournis au lieu de la mise à la terre. Aucun moyen de mise à la terre n'est fourni sur un appareil à isolation double ni aucun moyen de mise à la terre ne doit être ajouté à l'appareil. L'entretien d'un appareil à isolation double nécessite une grande prudence et une connaissance approfondie du système et doit être effectué seulement par le personnel d'entretien qualifié. Les pièces de remplacement d'un appareil à isolation double doivent être identiques aux pièces qu'elles remplacent. Un appareil doublement isolé est identifié par les mots « Isolation double » ou « Doublement isolé ». Le symbole  (carré dans un carré) peut aussi être indiqué sur l'appareil.

## Renseignements de sécurité supplémentaires



**AVERTISSEMENT :** ne jamais modifier l'outil électrique ou toute pièce de celui-ci. Cela pourrait entraîner des dommages matériels ou des blessures corporelles.



**AVERTISSEMENT :** portez **TOUJOURS** des lunettes de sécurité. Les lunettes de tous les jours NE SONT PAS des lunettes de sécurité. Utilisez également un masque facial si l'opération est poussiéreuse. **PORTEZ TOUJOURS UN EQUIPEMENT DE SÉCURITÉ CERTIFIÉ :**

- Protection oculaire ANSI Z87.1 (CAN/CSA Z94.3),
- Protection auditive ANSI S12.6 (S3.19),
- Protection respiratoire NIOSH/OSHA/MSHA.

**AVERTISSEMENT :** certaines poussières contiennent des produits chimiques reconnus dans l'État de la Californie pour causer le cancer et des anomalies congénitales ou autres effets nuisibles sur la reproduction. Certains exemples de ces produits chimiques sont :

- des composants de fertilisants,
- des composants d'insecticides, d'herbicides et de pesticides,
- l'arsenic et le chrome provenant du bois de construction traité chimiquement.

Pour réduire votre exposition à ces produits chimiques, portez un équipement de sécurité approuvé, comme un masque antipoussière spécialement conçu pour filtrer les particules microscopiques.

**AVERTISSEMENT :** l'utilisation de cet outil peut générer et/ou disperser de la poussière qui peut causer des lésions respiratoires graves et permanentes ou d'autres blessures. Utilisez toujours une protection respiratoire approuvée par NIOSH/OSHA appropriée pour l'exposition à la poussière. Dirigez les particules loin du visage et du corps.

**AVERTISSEMENT :** portez toujours une protection auditive personnelle appropriée conforme à ANSI S12.6 (S3.19) durant l'utilisation. Dans certaines conditions et selon la durée d'utilisation, le bruit provenant de ce produit peut contribuer à la perte de l'audition.













**ATTENTION :** lorsque vous ne l'utilisez pas, placez l'outil sur le côté sur une surface stable là où cela n'entraînera pas un risque de trébuchement ou de chute. Certains outils tiennent debout, mais ils peuvent facilement être renversés.

- Les événements couvrent souvent des pièces qui se déplacent et doivent être évités. Des vêtements amples, les bijoux ou les cheveux longs peuvent se coincer dans des pièces qui déplacent.
- Une rallonge doit avoir un calibre de fil (AWG ou calibre américain normalisé des fils) approprié pour la sécurité. Plus le numéro de calibre du fil est petit, plus la capacité du câble est grande, c'est-à-dire que le calibre 16 a plus de capacité que le calibre 18. Un cordon de taille inférieure entraînera une chute de tension de secteur ce qui causera une perte de puissance et une surchauffe. Lorsque vous utilisez plus d'une rallonge pour obtenir la longueur totale, assurez-vous que chaque rallonge individuelle a au moins le calibre de fil minimum. Le tableau suivant affiche la bonne taille à utiliser selon la longueur de cordon et l'intensité nominale de la plaque signalétique. En cas de doute, utilisez le calibre le plus lourd suivant. Plus le numéro de calibre est bas, plus le cordon est lourd.

### Calibres minimums pour rallonges électriques

Volts	Longueur totale de la rallonge en pieds (mètres)					
	25 (7,6)	50 (15,2)	100 (30,5)	150 (45,7)		
120 V	25 (7,6)	50 (15,2)	100 (30,5)	150 (45,7)		
240 V	50 (15,2)	100 (30,5)	200 (61,0)	300 (91,4)		
Courant nominal		AWG (American Wire Gauge)				
Plus de	Pas plus de					
0	6	18	16	16	14	
6	10	18	16	14	12	
10	12	16	16	14	12	
12	16	14	12	Non recommandé		

L'étiquette sur votre outil peut comporter les symboles suivants. Les symboles et les définitions sont les suivants :

V..... volts		Construction de classe II (à isolation double)
Hz.....hertz		
min.....minutes		
 ou CC.....courant continu	n	vitesse à vide
 .....Structure de classe I (mise à la terre)	n	vitesse nominale
.../min.....par minute	PSI.....	livres par pouce carré
BPM.....battements par minute		borne de terre
IPM.....impacts par minute		symbole d'alertes de sécurité
OPM.....oscillations par minute		rayonnement visible ne regardez pas directement la lumière
Tr/min.....tours par minute		portez une protection respiratoire
Plpm.....pieds linéaires par minute		portez une protection oculaire
CPM.....coups par minute		portez une protection auditive
A.....ampères		lisez toute la documentation
W.....watts		
Wh.....Watheures		
Ah.....ampères-heures		
 ou CA.....courant alternatif		
 ou CA/CC.....courant alternatif ou continu		

### Moteur

S'assurer que le bloc d'alimentation est compatible avec l'inscription de la plaque signalétique. Une diminution de tension de plus de 10 % provoquera une perte de puissance et une surchauffe. Ces outils sont testés en usine ; si cet outil ne fonctionne pas, vérifiez l'alimentation électrique.

### ASSEMBLAGE ET AJUSTEMENTS

**AVERTISSEMENT :** afin de réduire le risque de blessure corporelle, éteignez et débranchez-le de la source d'alimentation avant d'effectuer tout ajustement ou de retirer/installer des pièces ou des accessoires. Un démarrage accidentel peut causer des blessures.

## Caractéristiques

Livres maximales par pouce carré*	2100
Gallons nominaux par minute*	1,2
Exigences électriques	120 V <sub>AC</sub> ~60Hz, 13 A
Cordon électrique	10,6 m (35 pi)
Tuyau à haute pression	7,6 m (25 ft.)
Source d'ampères minimum	15 A
Pression de l'entrée d'eau	20 à 100 PSI
Entrée d'eau	froide du robinet
Taux de consommation de savon	10% MAXI

\*Débit d'eau et pressions nominales maximum déterminées conformément à CETA CPC-100.

## Poignées de transport de la cage (Fig. B)

Cette laveuse à pression a une cage protectrice qui la protège contre les abus quotidiens du chantier, mais elle offre aussi des options de poignées de transport multiples **12**. Transportez la laveuse à pression à l'aide de l'une ou l'autre des parties de la cage qui est pratique pour votre application.

## Poignée télescopique (Fig. C)

Cette laveuse à pression a une poignée télescopique intégrée pratique et des roues de transport.

1. Pour déverrouiller la poignée télescopique **13**, appuyez sur le bouton de libération **14** et glissez la poignée vers le haut. Vous entendrez un clic audible lorsqu'elle sera mise en place.
2. Pour ranger la poignée télescopique **13**, appuyez sur le bouton de libération **14** et glissez la poignée télescopique vers le bas dans le corps de la laveuse à pression. Vous entendrez un clic audible lorsqu'elle sera mise en place.
3. Pour déplacer la laveuse à pression **8**, inclinez l'appareil afin que les roues de transport **21** touchent le sol et tirez l'appareil par la poignée télescopique.

## Compartment de rangement des accessoires (Fig. D)

Cette laveuse à pression a un compartiment de rangement des accessoires intégré **34** pour transporter la lance d'arrosage, la poignée du pulvérisateur, le manche de la poignée et la buse turbo.

1. Pour déverrouiller la porte de rangement **10**, tournez le verrou de la porte **11** dans le sens contraire des aiguilles d'une montre et abaissez pour accéder à la lance d'arrosage **2**, à la poignée du pulvérisateur **4**, au manche de la poignée **5** et à la buse turbo **22**.
2. Pour verrouiller la porte de rangement **10**, levez la porte de rangement en position fermée. Tournez le verrou de la porte **11** dans le sens des aiguilles d'une montre pour verrouiller la porte de rangement en place.

## Assemblage de la lance d'arrosage (Fig. E)

1. Pour connecter la lance d'arrosage **4** à la poignée **5**, insérez l'extrémité fileté de la lance d'arrosage sur l'extrémité fileté du manche de la poignée. Tournez la poignée du pulvérisateur **4** dans le sens des aiguilles d'une montre jusqu'à ce qu'elle soit serrée.
2. Pour connecter la lance d'arrosage **2** à la poignée du pulvérisateur **4**, insérez l'extrémité fileté de lance d'arrosage dans la pince fileté **29** de la poignée du pulvérisateur. Tournez la pince fileté **29** dans le sens des aiguilles d'une montre jusqu'à ce qu'elle soit serrée.

## Fixer le tuyau à haute pression (Fig. F)



**ATTENTION : NE JAMAIS TIRER SUR LE TUYAU D'ALIMENTATION POUR DÉPLACER la laveuse à pression. Cela pourrait endommager le tuyau et/ou l'entrée de la pompe.**

Cette laveuse à pression a un espace de rangement intégré pour transporter le tuyau à haute pression. Le tuyau enroulé est fixé entre la cage et le corps principal.

**REMARQUE :** Déroulez le tuyau à haute pression **1** avant l'installation afin de prévenir les nœuds.

**REMARQUE :** Évitez de déformer le filetage lorsque vous installez le boyau. La déformation du filetage peut causer des fuites.

1. Pour connecter le tuyau à haute pression **1** au manche de la poignée **5**, enfiler la pince du tuyau **30** le coupleur d'entrée **31**.
2. Pour connecter le tuyau à haute pression à l'unité de laveuse à pression **8**, enfiler la pince du tuyau **32** sur la sortie d'eau à haute pression **16**.

## Fixer le boyau d'arrosage (Fig. G)

**REMARQUE :** Avant de connecter le boyau d'arrosage à l'unité de laveuse à pression, faites couler l'eau dans le boyau d'arrosage pendant trente secondes pour enlever tout débris à l'intérieur du boyau d'arrosage.

1. Pour connecter un boyau d'arrosage à l'unité de laveuse à pression **8**, placez l'extrémité du boyau d'arrosage **33** dans l'entrée d'eau **15**.

2. Serrez solidement le boyau d'arrosage à la main.

**REMARQUE :** Déconnectez toujours le boyau d'arrosage après l'utilisation.

## Fixer les buses (Fig. H)



**DANGER :** risque d'injection liquide. Ne pas diriger le jet vers des personnes, la peau non protégée, les yeux, tout animal. Cela produira des blessures graves.



**AVERTISSEMENT :** les objets projetés peuvent causer un risque de blessure grave. NE PAS tenter de changer les buses pendant que la laveuse à pression fonctionne. Éteignez l'unité de laveuse à pression avant de changer les buses.

1. Pour connecter une buse à la lance d'arrosage **2**, tirez sur le collier de connexion rapide **3** vers la lance d'arrosage et insérez la buse appropriée.
2. Relâchez le collier de connexion rapide pour verrouiller la buse en place.



- Tirez fermement sur la buse après que le collier de connexion rapide se soit verrouillé en place afin d'assurer que la buse est verrouillée en place.

**REMARQUE :** Les embouts énumérés suivants peuvent ne pas être inclus avec votre laveuse à pression, mais ils sont disponibles pour un achat à un coût supplémentaire.

Embout du pulvérisateur courant	Applications courantes
Buse orange 15°	Pour la brique ou la maçonnerie.
Buse verte 25°	Pour le bardage en vinyle.
Buse blanche 40 °	Pour le lavage d'automobiles.
Buse de savon	Pour appliquer les détergents
Buse turbo noire	Pour un nettoyage abrasif.

## FONCTIONNEMENT



**AVERTISSEMENT :** afin de réduire le risque de blessure corporelle, éteignez l'appareil débranchez-le la source d'alimentation et avant d'effectuer tout ajustement ou de retirer/installer des pièces ou des accessoires. Un déclenchement accidentel du démarrage peut causer des blessures.

### Position correcte des mains (Fig. I)



**AVERTISSEMENT :** afin de réduire le risque de blessure corporelle grave, utilisez **TOUJOURS** la position des mains appropriée comme illustré.



**AVERTISSEMENT :** afin de réduire le risque de blessure grave, tenez **TOUJOURS** fermement l'outil en prévision d'une réaction soudaine.

Une position des mains appropriée nécessite une main sur le manche de la poignée du pulvérisateur 5 et une autre main sur la poignée du pulvérisateur 4.

### Bonne position de l'unité de laveuse à pression (Fig. A, B)



**ATTENTION :** avant l'utilisation :

Gardez toujours l'unité à l'endroit avec ses pattes 17 et ses roues 21 sur le sol comme illustré Fig. B.

**REMARQUE :** Ne jamais tenter d'utiliser la laveuse à pression pendant qu'elle se tient à la verticale, sur son côté ou renversée sur le sol.

### Testez le disjoncteur différentiel de fuite à la terre (DDFT) avant chaque utilisation (Fig. A)

Cette laveuse à pression est offerte avec un disjoncteur de fuite à la terre (DDFT) intégré dans la fiche du cordon d'alimentation. Cet appareil offre une protection supplémentaire contre le risque de choc électrique.

- Branchez le disjoncteur différentiel de fuite à la terre (DDFT) dans une prise de mise à la terre qui fonctionne.
- Le voyant au-dessus du DDFT doit devenir vert lorsque le produit est prêt pour l'utilisation.

- Appuyez sur le bouton « TEST » (en bas). Le voyant vert doit disparaître.
- Appuyez sur le bouton « RÉINITIALISER » pour utiliser.
- Ne pas utiliser laveuse à pression si le test précédent échoue.

## Réservoir de savon (J, K)

Cette laveuse à pression a un réservoir de savon intégré 27.

- Pour retirer le réservoir de savon, éteignez la laveuse à pression et coupez l'arrivée d'eau.
- Appuyez sur la gâchette sur la poignée du pulvérisateur pour atténuer la pression de l'eau.
- Sortez le réservoir de savon 27 hors de l'unité de laveuse à pression 8.
- Retirez le capuchon du réservoir de savon 28 et remplissez avec un détergent approprié en suivant les instructions du fabricant détergent.
- Fixez et serrez le capuchon du réservoir de savon 28 avant de réinstaller le réservoir de savon 27 sur l'unité de laveuse à pression.
- Pour nettoyer le réservoir de savon 27, videz tout détergent restant dans sa bouteille. Utilisez l'eau du boyau d'arrosage pour rincer soigneusement le réservoir. Videz le réservoir et laissez-le sécher.
- Réinstallez le réservoir de savon dans l'unité de laveuse à pression et assurez-vous que le réservoir de savon est complètement fixé dans l'unité de laveuse à pression.

## Lavage à la pression (Fig. A–L)

### Préparation de la surface pour le nettoyage

- Retirez les objets de la zone qui pourraient créer un danger comme des jouets d'enfants ou des meubles extérieurs.
- Assurez-vous que toutes les portières et les fenêtres sont bien fermées. Protégez toutes les plantes et tous les arbres dans la zone adjacente avec une toile de protection en vous assurant qu'ils ne seront pas endommagés par une surexposition.
- Prérincez la zone de nettoyage avec de l'eau fraîche.
- Utilisez seulement des détergents formulés pour les laveuses à pression.
- Testez toujours le détergent dans une zone discrète avant l'utilisation.

### Préparer l'unité de laveuse à pression pour l'utilisation



**DANGER :** risque d'injection de liquide et de laceration. Lorsque vous utilisez le réglage à haute pression, NE PAS laisser la pulvérisation à haute pression entrer en contact avec la peau non protégée, les yeux ou un animal. Cela produira des blessures graves.



**ATTENTION :** avant l'utilisation :

- Connectez l'alimentation de l'eau à la laveuse à pression. Pour des instructions sur la connexion de l'alimentation de l'eau à la laveuse à pression, veuillez consulter Fixer le boyau d'arrosage dans Assemblage et ajustements.

- Connectez le tuyau à haute pression à la lèveuse à pression et à la lance à pression. Pour des instructions sur la connexion du tuyau à haute pression à la lèveuse à pression et à la lance à pression, veuillez consulter Fixer le **tuyau à haute pression** dans **Assemblage et ajustements**.

### Préparation de la lance d'arrosage (Fig. E)

**IMPORTANT :** Avant de mettre l'unité de lèveuse à pression en marche, désengagez le verrou de la gâchette **6** appuyez sur la gâchette **7**.

- La lance d'arrosage doit être assemblée avant l'utilisation. Veuillez consulter **Assemblage de lance d'arrosage** dans **Assemblage et ajustements**.
- Relâchez le verrouillage de la gâchette **6**.
- Appuyez sur la gâchette **7**. Tenez la gâchette pendant 30 secondes pour purger le système de l'air.
- S'il y a de l'air dans le jet d'eau, continuez à faire couler l'eau dans la lance d'arrosage.

### Nettoyer une surface (Fig. L)

- Pour démarrer la lèveuse à pression, tournez le bouton Marche/Arrêt **9** à la position Marche.
- Le meilleur angle pour pulvériser de l'eau contre une surface à nettoyer est de 45 °.
  - La tête de pulvérisation a tendance à faire en sorte que les particules de saleté s'intègrent dans la surface.
  - Lorsque vous travaillez sur des surfaces verticales, il vaut mieux appliquer le détergent en commençant par le bas et en travaillant vers le haut ce qui empêche le détergent de glisser et de causer des stries.
- Pour désengager la poignée du pulvérisateur, relâchez la gâchette.

### Déplacer la lèveuse à pression (Fig. A–C)

- Éteignez l'unité de lèveuse à pression **8** en tournant le bouton Marche/Arrêt **9** à la position Arrêt. Puis, fermez l'alimentation de l'eau.
- Pointez la lance d'arrosage **2** dans une direction sécuritaire et appuyez sur la gâchette **7** pour relâcher la pression de l'eau restante.
- Lorsque la lance d'arrosage est complètement vide, levez la lèveuse à pression par les poignées de transport **12** ou tirez la poignée télescopique **13** et faites rouler l'unité jusqu'à votre prochain emplacement.

### Arrêt (Fig. A, E, L)

- Éteignez l'unité de lèveuse à pression **8** en tournant le bouton Marche/Arrêt **9** à la position Arrêt. Puis, fermez l'alimentation de l'eau et débranchez le cordon de la prise.
- Déchargez la pression résiduelle en appuyez sur la gâchette **7** jusqu'à ce qu'il n'y ait plus d'eau qui sorte de la lance d'arrosage **2**.
- Enclenchez le verrou de la gâchette du pulvérisateur **6**.
- Déconnectez le boyau d'arrosage de l'entrée d'eau **15**.
- Déconnectez le tuyau à haute pression **1** de la sortie d'eau à haute pression **16** et videz le tuyau.

## ENTRETIEN

**AVERTISSEMENT :** afin de réduire le risque de blessure corporelle, éteignez l'appareil débranchez-le la source d'alimentation et avant d'effectuer tout ajustement ou de retirer/installer des pièces ou des accessoires. Un déclenchement accidentel du démarrage peut causer des blessures.

Votre outil électrique DEWALT a été conçu pour fonctionner longtemps avec un minimum de entretien. Le fonctionnement continu et satisfaisant de l'outil dépendra d'un entretien adéquate et d'un nettoyage régulier.

### Nettoyage

**AVERTISSEMENT :** enlever les saletés et la poussière hors des événements au moyen d'air comprimé propre et sec, au moins une fois par semaine. Pour minimiser le risque de blessure aux yeux, toujours porter une protection oculaire conforme à la norme ANSI Z87.1 lors du nettoyage.

**AVERTISSEMENT :** ne jamais utiliser de solvants ni d'autres produits chimiques puissants pour nettoyer les pièces non métalliques de l'outil. Ces produits chimiques peuvent affaiblir les matériaux de plastique utilisés dans ces pièces. Utilisez un chiffon humecté uniquement d'eau et de savon doux. Ne jamais laisser de liquide pénétrer dans l'outil et n'immerger aucune partie de l'outil dans un liquide.

### Nettoyage de la buse (Fig. M)

Si la buse devient obstruée avec des corps étrangers, comme de la saleté, de la pression excessive peut se développer. Si la buse devient partiellement obstruée ou restreinte, la pression de la pompe sera discontinuée. Nettoyez immédiatement la buse à l'aide d'un nettoyant pour buses.

- Éteignez et débranchez l'unité de lèveuse à pression **8**.
- Fermez l'alimentation de l'eau.
- Appuyez sur la gâchette **7** sur la poignée du pulvérisateur **5** pour réduire la pression d'eau.
- Retirez la buse de la lance d'arrosage **2** en tirant sur le collier de connexion rapide **3** vers la lance d'arrosage.
- À l'aide d'un outil de nettoyage des buses **26**, débouchez tout débris de la buse.
- Faites couler l'eau provenant du robinet et du boyau d'arrosage à travers la buse.

### Entreposage (Fig. A, B, D, N)

- Entreposez dans un endroit sec à l'abri du gel.  
**ENTREPOSEZ À L'INTÉRIEUR.**
- Videz toujours complètement l'eau du tuyau à haute pression, de l'unité de lèveuse à pression, des buses et de la lance d'arrosage.
- Les buses peuvent être rangées dans les fentes de rangement des buses sur le manche de la poignée comme illustré dans la Fig. A.
- Le cordon d'alimentation peut être rangé enroulé autour des crochets de retenue du cordon d'alimentation **20** comme illustré dans la Fig. A.

- Le tuyau à haute pression peut être rangé enroulé et fixé entre la cage et l'unité de laveuse à pression **8** comme illustré dans la Fig. B.
- La lance d'arrosage peut être rangée répartie en trois morceaux, dans le compartiment de rangement **34** comme illustré dans la Fig. D et la Fig. N.
- La buse turbo peut être rangée répartie dans le compartiment de rangement **34** comme illustré dans la Fig. D et la Fig. N.
- L'unité de laveuse à pression **8** peut être rangée verticalement ou horizontalement, mais empilez seulement des choses sur le dessus de l'unité en position de rangement horizontale comme illustré dans la Fig. B.

## Accessoires



**AVERTISSEMENT :** Les accessoires autres que DEWALT n'ayant pas été testés avec ce produit, leur utilisation avec cet outil peut s'avérer dangereuse. Pour réduire le risque de blessure, utilisez seulement les accessoires DEWALT recommandés pour ce produit.

Les accessoires recommandés pour utilisation avec cet outil sont disponibles à un coût supplémentaire chez votre détaillant local ou dans un centre de services autorisé. Si vous avez besoin d'aide pour localiser un accessoire, contactez DEWALT appelez au 1-800-4-DEWALT (1-800-433-9258) ou consultez notre site web : [www.dewalt.com](http://www.dewalt.com).

## Réparations



**AVERTISSEMENT :** pour assurer la SÉCURITÉ et la FIABILITÉ du produit, les réparations, l'entretien et les réglages doivent être réalisés (cela comprend l'inspection et le remplacement du balai, le cas échéant) par un centre de réparation en usine DEWALT ou un centre de réparation agréé DEWALT. Toujours utiliser des pièces de rechange identiques.

## Registre en ligne

Merci pour votre achat. Enregistrez dès maintenant votre produit:

- **RÉPARATIONS SOUS GARANTIE:** cette carte remplie vous permettra de vous prévaloir du service de réparations sous garantie de façon plus efficace dans le cas d'un problème avec le produit.
- **CONFIRMATION DE PROPRIÉTÉ:** en cas de perte provoquée par un incendie, une inondation ou un vol, cette preuve de propriété vous servira de preuve auprès de votre compagnie d'assurances.
- **SÉCURITÉ:** l'enregistrement de votre produit nous permettra de communiquer avec vous dans l'éventualité peu probable de l'envoi d'un avis de sécurité régi par la loi fédérale américaine de la protection des consommateurs.
- Registre en ligne à [www.dewalt.com](http://www.dewalt.com).

## Garantie limitée de trois ans

Pour les conditions de la garantie, allez à <https://www.dewalt.com/Legal/Warranty/3-Year-Limited-Warranty>.

Pour demander une copie écrite des conditions de la garantie, contactez : le service à la clientèle au DEWALT Industrial Tool Co., 701 East Joppa Road, Towson, MD 21286 ou appelez au 1-800-4-DEWALT (1-800-433-9258).

**AMÉRIQUE LATINE :** cette garantie ne s'applique aux produits vendus en Amérique latine. Pour ceux-ci, veuillez consulter les informations relatives à la garantie spécifique présente dans l'emballage, appeler l'entreprise locale ou consulter le site Web pour les informations relatives à cette garantie.

## REPLACEMENT GRATUIT DES ÉTIQUETTES

**D'AVERTISSEMENT :** si les étiquettes d'avertissement deviennent illisibles ou sont manquantes, composer le 1-800-4-DEWALT (1-800-433-9258) pour en obtenir le remplacement gratuit.

## DÉPANNAGE



**AVERTISSEMENT : Risque d'utilisation non sécuritaire. Avant d'entretenir l'unité, débranchez l'alimentation électrique, fermez l'alimentation de l'eau, déchargez la pression résiduelle et enclenchez le verrouillage de la poignée du pulvérisateur.**

PROBLÈME	CAUSE	CORRECTION
Le moteur ne démarre pas.	L'unité n'est pas branchée.	Branchez le cordon d'alimentation.
	Le bouton Marche/Arrêt est en position Arrêt.	Mettez le bouton à la position Marche.
	Vous n'avez pas appuyé sur la gâchette de la lance.	Appuyez sur la gâchette avec le bouton à la position Marche.
	DDFT déclenché.	Appuyez sur le bouton Réinitialiser du DDFT à l'extrémité de la fiche du cordon. Vérifiez le disjoncteur de votre panneau électrique domestique. Si le disjoncteur s'est déclenché, réinitialisez-le.
L'unité n'atteint pas la haute pression.	Le robinet d'eau n'est pas complètement ouvert.	Ouvrez complètement la valve d'eau.
	Filter d'entrée d'eau obstrué.	Retirez le filtre et rincez pour nettoyer.
	Buse usée.	Remplacez par une nouvelle buse.
	La pompe aspire de l'air.	Assurez-vous que les tuyaux et les raccords sont hermétiques. Éteignez la machine et purgez la pompe en appuyant sur le pistolet à gâchette jusqu'à ce qu'un flux constant d'eau sort de la buse.
La pression de sortie varie haute/basse.	L'alimentation de l'eau est limitée.	Vérifiez le tuyau d'eau à des nœuds, des fuites ou un blocage.
	Pas assez d'alimentation de l'eau.	Ouvrez complètement l'eau, vérifiez si le tuyau a des fuites ou des nœuds.
	La pompe aspire de l'air.	Assurez-vous que les tuyaux et les raccords sont hermétiques. Éteignez la machine et purgez la pompe en appuyant sur le pistolet à gâchette jusqu'à ce qu'un flux constant d'eau sort de la buse.
	Grille d'entrée d'eau obstruée.	Pour déboucher, rincez avec de l'eau.
Aucun détergent.	La buse de décharge est obstruée.	Soufflez ou retirez les débris.
	Buse de savon non utilisée.	Le détergent sort seulement lorsque la buse de savon n'est pas utilisée. Le détergent ne s'écoule pas lorsque la buse à haute pression est utilisée.
	Le réservoir de savon est vide.	Ajoutez plus de détergent.
	Le réservoir de savon n'est pas bien connecté.	Vérifiez les connexions. Assurez-vous que le réservoir de savon est complètement fixé dans l'unité de laveuse à pression.
	Le détergent est trop épais.	Utilisez seulement le détergent recommandé pour l'utilisation dans les laveuses à pression.
	Ports d'aspiration du détergent endommagés ou obstrués.	Retirez l'obstruction ou les débris et faites couler de l'eau chaude sur les ports d'aspiration du détergent.
La connexion du boyau d'arrosage fuit.	La buse de décharge est obstruée.	Soufflez ou retirez les débris. Faites couler de l'eau chaude dans la buse pour retirer les débris
	Raccords desserrés.	Serrez les raccords.
	Rondelle en caoutchouc manquante/usée.	Remplacez la rondelle de l'adaptateur du boyau.
La lance d'arrosage ou l'extension fuit.	La lance d'arrosage n'est pas bien fixée.	Veuillez consulter <b>Assemblage de lance d'arrosage</b> dans <b>Assemblage et ajustements</b> .
	Joint torique brisé.	Contactez un représentant du service à la clientèle de DeWALT au 1-800-4-DeWALT (1-800-433-9258).
La pompe est excessivement bruyante.	La pompe aspire de l'air.	Assurez-vous que les tuyaux et les raccords sont hermétiques. Éteignez la machine et purgez la pompe en appuyant sur le pistolet à gâchette jusqu'à ce qu'un flux constant d'eau sort de la buse.
L'eau fuit de la pompe.	Raccords desserrés.	Assurez-vous que tous les raccords sont serrés.
	Les joints d'eau sont endommagés ou usés.	Contactez un représentant du service à la clientèle de DeWALT au 1-800-4-DeWALT (1-800-433-9258).
Huile qui fuit.	Les joints d'huile sont endommagés ou usés.	Contactez un représentant du service à la clientèle de DeWALT au 1-800-4-DeWALT (1-800-433-9258).
Le moteur bourdonne, mais n'arrive pas à fonctionner.	Tension de l'alimentation insuffisante.	Vérifiez si seulement la laveuse à pression fonctionne sur ce circuit.
	Le système a de la pression résiduelle.	Éteignez l'unité, appuyez sur la gâchette sur la lance d'arrosage pour relâcher la pression, puis allumez l'unité.
	Tension perdue en raison de la rallonge.	Branchez directement dans la prise.
	Laveuse non utilisée pendant de longues périodes.	Contactez un représentant du service à la clientèle de DeWALT au 1-800-4-DeWALT (1-800-433-9258).



**ADVERTENCIA:** Lea todas las advertencias de seguridad e instrucciones. El incumplimiento de las advertencias e instrucciones puede provocar descargas eléctricas, incendios o lesiones graves.



**ADVERTENCIA:** Para reducir el riesgo de lesiones, lea el manual de instrucciones.

## Uso Pretendido

Esta lavadora a presión está diseñada para limpiar botes, automóviles, cubiertas, entradas de vehículos, parrillas, revestimientos de casas, motocicletas, patios y muebles de exterior.

**NO** permita que niños estén en contacto con la herramienta. Se requiere supervisión cuando operadores sin experiencia operen esta herramienta.

## Definiciones: Símbolos y Palabras

### Alerta de Seguridad

Este manual de instrucciones utiliza los siguientes símbolos y palabras de alerta de seguridad para alertarle de situaciones peligrosas y del riesgo de lesiones corporales o daños materiales.



**PELIGRO:** Indica una situación de peligro inminente que, si no se evita, provocará la muerte o lesiones graves.



**ADVERTENCIA:** Indica una situación de peligro potencial que, si no se evita, podría provocar la muerte o lesiones graves.



**ATENCIÓN:** Indica una situación de peligro potencial que, si no se evita, posiblemente provocaría lesiones leves o moderadas.



(Utilizado sin palabras) indica un mensaje de seguridad relacionado.

**AVISO:** Se refiere a una práctica no relacionada a lesiones corporales que de no evitarse puede resultar en daños a la propiedad.

## INSTRUCCIONES DE SEGURIDAD

### IMPORTANTES



**ADVERTENCIA:** Cuando use este aparato, siempre se deben seguir las precauciones de seguridad básicas, incluyendo las siguientes:

- Lea todas las instrucciones antes de usar el producto.
- Para reducir el riesgo de lesiones, se necesita supervisión cercana cuando se use un producto cerca de niños.
- **Conozca como parar el producto y purgue las presiones rápidamente.** Familiarícese completamente con los controles.
- Permanezca alerta - Observe lo que está haciendo.
- No opere el producto cuando esté fatigado o bajo la influencia de alcohol o drogas.
- Mantenga el área de operación libre de personas.
- **No se estire o se pare en un soporte inestable.** Mantenga una base de apoyo y equilibrio correctos en todo momento.

- Siga las instrucciones de mantenimiento especificadas en el manual.
- **Este producto se proporciona con un interruptor de circuito de falla a tierra integrado en el enchufe del cable eléctrico. Si se necesita el reemplazo del enchufe o cable, sólo use partes de reemplazo idénticas.**



**ATENCIÓN:** Riesgo de inyección o lesiones – no dirija la corriente de descarga a personas.

## CONSERVE ESTAS INSTRUCCIONES



**ADVERTENCIA:** Por favor lea el manual completo antes de intentar ensamblar, operar o instalar el producto.



**ADVERTENCIA:** Esta unidad se diseñó para aplicaciones específicas. No se debe modificar y/o usar para ninguna aplicación diferente para la que se diseñó.

**AVISO:** Siempre guarde su lavadora a presión en una ubicación en la que la temperatura no descienda debajo de 4 °C (40 °F). El daño por congelamiento no está cubierto por la garantía.



**ADVERTENCIA:** Este producto y su escape pueden exponerlo a químicos que incluyen plomo y compuestos de plomo, y monóxido de carbono, que se conoce en el Estado de California que causan cáncer y defectos de nacimiento u otros daños reproductivos. Para más información visite [www.P65Warnings.ca.gov](http://www.P65Warnings.ca.gov).

1. No toque el enchufe o el tomacorriente con las manos húmedas.
2. **Evite arranques accidentales.** Mueva el interruptor de la unidad a la posición OFF antes de conectar o desconectar el cable a tomacorrientes eléctricos.
3. El rocío de agua nunca debe dirigirse hacia ningún cableado eléctrico o directamente hacia la máquina de lavado a presión, ya que puede producirse una descarga eléctrica fatal.
4. **Nunca transporte su lavadora a presión por el cable.** No tire del cable para desconectarlo del tomacorriente.
5. Para evitar daños, el cable no debe aplastarse, colocarse junto a objetos afilados o cerca de una fuente de calor.
6. **Verifique los cables de alimentación antes de usar.** Los cables dañados pueden reducir el desempeño de la lavadora a presión o causar una descarga eléctrica fatal.
7. **La corriente de punta estrecha es muy poderosa.** No se recomienda su uso en superficies pintadas, superficies de madera o artículos unidos con un respaldo adhesivo.
8. Mantenga el área de operación libre de personas y animales.
9. Siempre use ambas manos cuando opere la lavadora a presión para mantener el control completo de la varilla.
10. **No toque la boquilla o el rocío de agua mientras esté funcionando.** Nunca coloque las manos delante de la boquilla.
11. **Use gafas de seguridad mientras opera.** Use ropa y calzado de protección para protegerse contra el rocío accidental.

12. *Desconecte el enchufe del tomacorriente cuando no esté en uso y antes de **desconectar** la manguera de alta presión.*
13. **Nunca ate nudos ni doble la manguera de alta presión, ya que podría sufrir daños. Revise la manguera de alta presión regularmente. Reemplace la manguera de inmediato si está dañada, desgastada o muestra señales de grietas, burbujas, agujeros u otras fugas. Nunca agarre una manguera de alta presión que tenga fugas o esté dañada.**
14. **No opere o guarde este producto en temperaturas menores a 4 °C (40 °F). El daño por congelamiento no está cubierto por la garantía.**
15. **Observe cuidadosamente todas las instrucciones y advertencias químicas antes de usar. Utilice sólo lavadoras a presión aprobadas. No use blanqueador, cloro ni ningún limpiador que contenga ácidos. Siga siempre las recomendaciones de la etiqueta del fabricante para el uso adecuado de los limpiadores. Siempre proteja los ojos, la piel y el sistema respiratorio de los limpiadores.**
16. **La lavadora a presión no debe usarse en áreas donde puedan estar presentes vapores de gas. Una chispa eléctrica puede causar una explosión o incendio.**
17. *Para minimizar la cantidad de agua que ingresa a la lavadora a presión, la unidad debe colocarse lo más lejos posible del sitio de limpieza durante la operación.*
18. *Para evitar descargas accidentales, la pistola de rocío se debe asegurar bloqueando el gatillo cuando no esté en uso.*
19. *Para permitir la libre circulación de aire, la lavadora a presión NO debe cubrirse durante la operación.*
20. **Nunca toque, agarre o intente cubrir un agujero de alfiler o una fuga de agua similar en la manguera de alta presión. La corriente de agua ESTÁ bajo alta presión y penetrará en la piel.**
21. **Utilice sólo mangueras y accesorios con una presión superior al valor de psi de su lavadora a presión. Nunca lo use con accesorios o componentes de ningún otro fabricante.**
22. *Nunca retire las características de seguridad de este producto.*
23. *No opere la máquina con partes faltantes, rotas, o no autorizadas.*
24. *Nunca rocíe líquidos inflamables ni use una lavadora a presión en áreas que contengan polvo combustible, líquidos o vapores.*

## Protección de Interruptor de Circuito de Falla a Tierra

Esta lavadora a presión está provista de un interruptor de circuito de falla a tierra (GFCI) integrado en el enchufe del cable de suministro. Este dispositivo proporciona protección adicional contra el riesgo de descarga eléctrica. En caso de que sea necesario reemplazar el enchufe o el cable, use sólo piezas de repuesto idénticas que incluyan protección GFCI.

## Cables de Extensión

Utilice sólo cables de extensión destinados para uso en exteriores. Estos cables de extensión se identifican con la marca "Aceptable para usar con electrodomésticos para exteriores; almacenar en el interior mientras no esté en uso". Utilice únicamente cables de extensión que tengan una clasificación eléctrica no inferior a la clasificación del producto. No use cables de extensión dañados. Examine el cable de extensión antes de usarlo y reemplácelo si está dañado. No abuse del cable de extensión y no tire de ningún cable para desconectarlo. Mantenga el cable alejado del calor y bordes afilados. Siempre desconecte el cable de extensión del receptáculo antes de desconectar el producto del cable de extensión.



**ADVERTENCIA:** Para reducir el riesgo de electrocución, mantenga todas las conexiones secas y alejadas del suelo. No toque el enchufe con las manos húmedas.

## Servicio de Aparatos de Aislamiento Doble

Su aparato tiene aislamiento doble para proporcionar seguridad adicional. En un aparato con aislamiento doble, se proporcionan dos sistemas de aislamiento en lugar de conexión a tierra. Si no se proporcionan medios de conexión a tierra en un aparato con aislamiento doble, no se deben agregar medios de conexión a tierra al aparato. Dar servicio a un aparato con aislamiento doble requiere cuidado extremo y conocimiento del sistema y sólo debe ser realizado por personal de servicio calificado. Las partes de reemplazo para un aparato con aislamiento doble deben ser idénticas a las partes que reemplacen. Un aparato con aislamiento doble está marcado con las palabras double insulated o "double insulation" (aislamiento doble). El símbolo □ (cuadrado dentro de un cuadrado) también puede estar marcado en el aparato.

## Información de Seguridad Adicional



**ADVERTENCIA:** Nunca modifique la herramienta eléctrica o ninguna parte de ella. Podría resultar en daño o lesiones personales.



**ADVERTENCIA: SIEMPRE** use gafas de seguridad. Las gafas de uso diario NO son gafas de seguridad. También use una careta o máscara de polvo si la operación produce polvo. SIEMPRE USE EQUIPO DE SEGURIDAD CERTIFICADO:

- Protección para los ojos ANSI Z87.1 (CAN/CSA Z94.3),
- Protección auditiva ANSI S12.6 (S3.19),
- Protección respiratoria NIOSH/OSHA/MSHA.



**ADVERTENCIA:** Algún polvo contiene químicos conocidos por el Estado de California que causan cáncer, defectos de nacimiento u otros daños reproductivos. Algunos ejemplos de estos químicos son:

- compuestos en fertilizantes,
- compuestos en insecticidas, herbicidas y pesticidas,
- arsénico y cromo a partir de madera tratada químicamente.

Para reducir su exposición a estos químicos, use equipo de seguridad aprobado, tal como máscaras de polvo que estén diseñadas específicamente para filtrar partículas microscópicas.

**ADVERTENCIA:** El uso de esta herramienta puede generar y/o dispersar polvo, que puede causar lesiones respiratorias serias y permanentes u otras lesiones. Siempre use protección respiratoria aprobada por NIOSH/OSHA apropiada para la exposición de polvo. Dirija las partículas lejos de la cara y el cuerpo.

**ADVERTENCIA:** Siempre use protección auditiva personal adecuada que cumpla con ANSI S12.6 (S3.19) durante el uso. Bajo algunas condiciones y duración de uso, el ruido de este producto puede contribuir con la pérdida auditiva.

**ATENCIÓN:** Cuando no esté en uso, coloque la herramienta en su lado sobre una superficie estable donde no cause un peligro de tropiezo o caída. Algunas herramientas pueden quedar verticales pero se pueden voltear fácilmente.






Las ventilas de aire a menudo cubren las partes móviles y se deben evitar. La ropa suelta, joyería, o cabello largo podrían quedar atrapados en las partes móviles.

**Los hilos del alargador deben ser de un calibre apropiado (AWG o American Wire Gauge) para su seguridad.** Mientras menor sea el calibre del hilo, mayor la capacidad del cable. Es decir, un hilo calibre 16 tiene mayor capacidad que uno de 18. Un cable de un calibre insuficiente causará una caída en la tensión de la línea dando por resultado una pérdida de energía y sobrecalentamiento. Cuando se utilice más de un alargador para completar el largo total, asegúrese que los hilos de cada alargador tengan el calibre mínimo. La tabla siguiente muestra el tamaño correcto a utilizar, dependiendo de la longitud del cable y del amperaje nominal de la placa de identificación. Si tiene dudas sobre cuál calibre usar, use un calibre mayor. Cuanto menor sea el número del calibre, más resistente será el cable.

Calibre mínimo de conjuntos de cables

Voltios	Longitud total del cable en pies (metros)				
	120 V	25 (7,6)	50 (15,2)	100 (30,5)	150 (45,7)
240 V	50 (15,2)	100 (30,5)	200 (61,0)	300 (91,4)	
Amperaje nominal	AWG				
	Más de	Más de			
0	6	18	16	16	14
6	10	18	16	14	12
10	12	16	16	14	12
12	16	14	12	No recomendada	

La etiqueta en su herramienta puede incluir los siguientes símbolos. Los símbolos y sus definiciones son los siguientes:

- V ..... volts  o CA/CD ..... corriente alterna o directa
- Hz ..... hertz  ..... Construcción Clase II (aislamiento doble)
- min ..... minutos
- o DC ..... corriente directa
-  ..... Construcción Clase I (conectada a tierra)
- .../min ..... por minuto
- BPM ..... golpes por minuto
- IPM ..... impactos por minuto
- OPM ..... oscilaciones por minuto
- RPM ..... revoluciones por minuto
- sfpm ..... pies de superficie por minuto
- SPM ..... carreras por minuto
- A ..... amperés
- W ..... watts
- Wh ..... Watt Horas
- Ah ..... amperios hora
- ~ o AC ..... corriente alterna
-  ..... símbolo de alerta de seguridad
-  ..... radiación visible no mirar directamente a la luz
-  ..... use protección respiratoria
-  ..... use protección para los ojos
-  ..... use protección auditiva
-  ..... lea toda la documentación

## Motor

Asegúrese de que la fuente de energía concuerde con lo que se indica en la placa. Un descenso en el voltaje de más del 10% producirá una pérdida de potencia y sobrecalentamiento. Todas las herramientas son probadas en fábrica; si esta herramienta no funciona, verifique el suministro eléctrico.

## ENSAMBLE Y AJUSTES

**ADVERTENCIA:** Para reducir el riesgo de lesiones personales severas, apague la unidad y desconéctela de la fuente de energía antes de realizar cualquier ajuste o retirar/instalar conexiones o accesorios. Un arranque accidental puede causar lesiones.

### Especificaciones

Libras por pulgada cuadrada máximas*	2100
Galones por minuto nominales*	1,2
Requerimientos eléctricos	120V <sub>CA</sub> ~60Hz, 13A
Cable eléctrico	10,6 m (35 pies)
Manguera de alta presión	7,6 m (25 ft.)
Fuente de amps mínimos	15A
Presión de agua de entrada	20-100 PSI
Agua de entrada	Agua de llave fría
Tasa de consumo de jabón	10% MÁX

\*Las clasificaciones de flujo y presión máxima de agua se determinan de acuerdo con CETA CPC-100.

## Manijas de Transporte de Jaula (Fig. B)

Esta lavadora a presión tiene una jaula de protección que protege la lavadora a presión contra el abuso del sitio de trabajo cotidiano pero también proporciona opciones de manija de transporte **12** múltiples. Transporte la lavadora a presión utilizando cualquier parte de la jaula que sea conveniente para su aplicación.

## Manija Telescópica (Fig. C)

Esta lavadora a presión tiene una conveniente manija telescópica integrada y ruedas de transporte.

1. Para desbloquear la manija telescópica **13**, presione el botón de liberación de manija **14** y deslice la manija hacia arriba. Escuchará un clic audible cuando se conecte en posición.
2. Para almacenar la manija telescópica **13**, presione el botón de liberación de manija **14** y deslice la manija telescópica hacia abajo y dentro del cuerpo de la lavadora a presión. Escuchará un clic audible cuando se conecte en posición.
3. Para mover la lavadora a presión **8**, incline la unidad de forma que las ruedas de transporte **21** toquen el suelo y jale la unidad por medio de la manija telescópica.

## Compartimiento de Almacenamiento de Accesorios (Fig. D)

Esta lavadora a presión tiene un compartimiento de almacenamiento de accesorios integrado **34** para transportar la varilla de rocío, la manija de rocío, la agarradera de manija y la boquilla turbo.

1. Para desbloquear la puerta de almacenamiento **10**, gire el seguro de puerta **11** en sentido contrario a las manecillas del reloj y baje la puerta para tener acceso a la varilla de rocío **2**, la manija de rocío **4**, la agarradera de manija **5**, y la boquilla turbo **22**.
2. Para bloquear la puerta de almacenamiento **10**, levante la puerta de almacenamiento a la posición cerrada. Gire el seguro de puerta **11** en sentido de las manecillas del reloj para bloquear la puerta de almacenamiento en posición.

## Ensamble de Varilla de Rocío (Fig. E)

1. Para conectar la manija de rocío **4** a la agarradera de manija **5**, inserte el extremo roscado de la manija de rocío en el extremo roscado de la agarradera de manija. Gire la manija de rocío **4** en sentido de las manecillas del reloj hasta que esté apretada completamente.
2. Para conectar la varilla de rocío **2** a la manija de rocío **4**, inserte el extremo roscado de la varilla de rocío en el collarín roscado **29** de la manija de rocío. Gire el collarín roscado **29** en sentido de las manecillas del reloj hasta que esté completamente apretado.

## Conexión de Manguera de Alta Presión (Fig. F)

**⚠ ATENCIÓN: NUNCA JALE LA MANGUERA DE SUMINISTRO DE AGUA PARA MOVER la lavadora a presión. Esto podría dañar la manguera y/o la entrada de la bomba.**

Esta lavadora a presión tiene un área de almacenamiento integrada para transportar la manguera de alta presión. La manguera enrollada se asegura entre la jaula y el cuerpo principal.

**NOTA:** Desenrolle la manguera de alta presión **1** antes de la instalación para evitar torceduras.

**NOTA:** Evite trasroscar cuando instale la manguera. El trasroscado causará fugas.

1. Para conectar la manguera de alta presión **1** a la agarradera de manija **5**, enrosque el collar de la manguera **30** en el acoplador de entrada **31**.
2. Para conectar la manguera de alta presión a la unidad de lavadora a presión **8**, enrosque el collar de la manguera **32** en la salida de agua de alta presión **16**.

## Conexión de Manguera de Jardín (Fig. G)

**NOTA:** Antes de conectar la manguera de jardín a la unidad de lavado a presión, haga correr agua por la manguera de jardín durante treinta segundos para limpiar cualquier residuo del interior de la manguera de jardín.

1. Para conectar una manguera de jardín a la unidad de lavadora a presión **8**, coloque el extremo de la manguera de jardín **33** en la admisión a agua **15**.
2. Apriete firmemente la manguera de jardín a mano.

**NOTA:** Siempre desconecte la manguera de jardín después del uso.

## Conexión de Boquillas (Fig. H)

**⚠ PELIGRO:** Riesgo de inyección de fluido. No dirija la corriente de descarga hacia personas, piel desprotegida, ojos o mascotas o animales. Se producirán lesiones graves.

**⚠ ADVERTENCIA:** Los objetos voladores pueden causar riesgos de lesiones graves. NO intente cambiar las boquillas mientras la lavadora a presión está funcionando. Apague la unidad de lavado a presión antes de cambiar las boquillas.

1. Para conectar una boquilla a la varilla de rocío **2**, jale el collar de conexión rápida **3** hacia la varilla de rocío e inserte la boquilla apropiada.
2. Libere el collar de conexión rápida para bloquear la boquilla en su lugar.
3. Jale la boquilla firmemente después que el collar de conexión rápida se haya bloqueado en su lugar para asegurar que la boquilla esté bloqueada en su lugar.

**NOTA:** Las puntas indicadas a continuación pueden no estar incluidas con su lavadora a presión pero están disponibles para adquisición por un costo adicional.

Puntas de rocío común	Aplicaciones comunes
Boquilla naranja de 15°	Para ladrillo o mampostería.
Boquilla verde de 25°	Para revestimiento de vinilo.
Boquilla blanca de 40°	Para lavado automatiz.
Boquilla de jabón	Para aplicar detergentes
Boquilla Turbo negra	Para limpieza abrasiva.



## OPERACIÓN



**ADVERTENCIA:** Para reducir el riesgo de lesiones personales, apague la unidad antes de realizar cualquier ajuste o retirar/instalar conexiones o accesorios. Una activación de arranque accidental puede causar lesiones.

### Colocación Adecuada de las Manos (Fig. I)



**ADVERTENCIA:** Para reducir el riesgo de lesiones personales serias, **SIEMPRE** use la posición de las manos adecuada como se muestra.



**ADVERTENCIA:** Para reducir el riesgo de lesiones personales serias, **SIEMPRE** sostenga firmemente en anticipación de una reacción repentina.

La posición de manos adecuada requiere una mano en la agarradera de la manija de rocío **5** y la otra mano en la manija de rocío **4**.

### Posición Correcta de Unidad Lavadora a Presión (Fig. A, B)



**ATENCIÓN:** Antes de la operación:

Siempre mantenga el lado derecho de la unidad hacia arriba con sus patas **17** y ruedas **21** sobre el suelo como se muestra en la Fig. B.

**NOTA:** Nunca intente usar la lavadora a presión mientras está vertical, sobre su costado, o volteada sobre el suelo.

### Pruebe el Interruptor de Circuito de Falla a Tierra (GFCI) Antes de Cada Uso (Fig. A)

Esta lavadora a presión está provista de un interruptor de circuito de falla a tierra (GFCI) integrado en el enchufe del cable de suministro. Este dispositivo proporciona protección adicional contra el riesgo de descarga eléctrica.

1. Conecte el interruptor de circuito de falla a tierra (GFCI) en un tomacorriente conectado a tierra.
2. El indicador en la parte superior del GFCI debe volverse verde cuando el producto está listo para usar.
3. Presione el botón "TEST" (inferior). El indicador verde debería desaparecer.
4. Presione el botón "RESET" para usar.
5. No use la lavadora a presión si la prueba anterior falla.

### Tanque de Jabón (J, K)

Esta lavadora a presión tiene un tanque de jabón integrado **27**.

1. Para retirar el tanque de jabón, apague la lavadora a presión y cierre el suministro de agua.
2. Apriete el gatillo de la manija de la pistola para aliviar la presión del agua.
3. Levante el tanque de jabón **27** de la unidad de lavadora a presión **8**.
4. Retire la tapa del tanque de jabón **28** y llene con el detergente apropiado siguiendo las instrucciones del fabricante de detergente.

5. Coloque y apriete la tapa de tanque de jabón **28** antes de reinstalar el tanque de jabón **27** a la unidad de lavadora a presión.
6. Para limpiar el tanque de jabón **27**, vacíe cualquier detergente restante de nuevo en su botella. Use agua de una manguera de jardín para enjuagar completamente el tanque. Vacíe el tanque y permita que se seque.
7. Reinstale el tanque de jabón a la unidad de lavadora a presión y asegúrese que el tanque de jabón esté completamente asegurado en la unidad de lavadora a presión.

## Lavado a Presión (Fig. A–L)

### Preparación de Superficie para Limpieza

- Retire los objetos del área que puedan crear un peligro, como juguetes para niños o muebles de exterior.
- Asegúrese que todas las puertas y ventanas estén bien cerradas. Proteja todas las plantas y árboles en el área adyacente con una tela protectora para asegurarse que no se vean perjudicados por el rociado excesivo.
- Enjuague previamente el área de limpieza con agua fresca.
- Use sólo detergentes formulados para lavadoras a presión.
- Siempre pruebe el detergente en un área discreta antes de usar.

### Preparación de la Unidad de Lavado a Presión para Su Uso



**PELIGRO:** Riesgo de inyección de fluidos y laceración. Cuando utilice la configuración de alta presión, NO permita que el rocío de alta presión entre en contacto con la piel, los ojos o las mascotas o animales sin protección. Se producirán lesiones graves.



**ATENCIÓN:** Antes de la operación:

1. Conecte el suministro de agua a la lavadora a presión. Para obtener instrucciones sobre cómo conectar el suministro de agua a la lavadora a presión, consulte **Conexión de manguera de jardín** en **Ensamble y ajustes**.
2. Conecte la manguera de alta presión a la lavadora a presión y la varilla de presión. Para obtener instrucciones sobre cómo conectar la manguera de alta presión a la lavadora a presión y la varilla de presión, consulte **Conexión de la manguera de alta presión** en **Ensamble y ajustes**.

### Preparación de Varilla de Rocío (Fig. E)

**IMPORTANTE:** Antes de encender la unidad de lavado a presión, desactive el bloqueo del gatillo en apagado **6** y apriete el gatillo **7**.

1. La varilla de rocío se debe ensamblar antes del uso. Consulte **Ensamble de varilla de rocío** en **Ensamble y ajustes**.
2. Desconecte el bloqueo de apagado del gatillo **6**.
3. Oprima el gatillo **7**. Mantenga presionado el gatillo durante 30 segundos para purgar el sistema de aire.
4. Si todavía se encuentra aire en la corriente de agua, continúe haciendo correr agua a través de la varilla de rocío.

## Limpieza de Superficie (Fig. L)

1. Para encender la lavadora a presión, gire el interruptor ON/OFF **9** en la posición ON.
2. El mejor ángulo para rociar agua contra una superficie de limpieza es 45 °.
  - Rociar de forma frontal tiende a causar que las partículas de suciedad se incrusten en la superficie.
  - Cuando trabaje en superficies verticales, es mejor aplicar detergente comenzando en la parte inferior y hacia arriba, lo que evitará que el detergente se deslice hacia abajo y produzca rayas.
3. Para desenganchar conectar la manija de rocío, suelte el gatillo.

## Transporte de Lavadora a Presión (Fig. A–C)

1. Apague la unidad de lavadora a presión **8** girando el interruptor de encendido/apagado **9** a la posición OFF. Después cierre el suministro de agua.
2. Apunte la varilla de rocío **2** en una dirección segura y apriete el gatillo **7** para liberar la presión de agua restante.
3. Cuando la varilla de rocío esté completamente vacía, levante la lavadora a presión por las manijas de transporte **12** o jale hacia arriba la manija telescópica **13** y ruede la unidad a su siguiente ubicación.

## Apagado (Fig. A, E, L)

1. Apague la unidad de lavadora a presión **8** girando el interruptor de encendido/apagado **9** a la posición off. Entonces cierre el suministro de agua y desconecte el cable de la salida.
2. Descargue la presión residual apretando el gatillo **7** hasta que ya no salga agua de la varilla de rocío **2**.
3. Conecte el bloqueo en apagado de gatillo de rocío **6**.
4. Desconecte la manguera de jardín de la toma de agua **15**.
5. Desconecte la manguera de alta presión **1** de la salida de agua de alta presión **16** y drene la manguera.

## MANTENIMIENTO



**ADVERTENCIA:** Para reducir el riesgo de lesiones personales, apague la unidad antes de realizar cualquier ajuste o retirar/instalar conexiones o accesorios. Una activación de arranque accidental puede causar lesiones.

Su herramienta DeWALT ha sido diseñada para funcionar durante un largo período con un mínimo de mantenimiento. Un funcionamiento continuo satisfactorio depende del cuidado adecuado de la herramienta y de una limpieza periódica.

## Limpieza



**ADVERTENCIA:** Sople la suciedad y el polvo de todos los conductos de ventilación con aire seco, al menos una vez por semana. Para reducir el riesgo de lesiones, utilice siempre protección para los ojos aprobada ANSI Z87.1 al realizar esta tarea.



**ADVERTENCIA:** Nunca utilice solventes ni otros químicos abrasivos para limpiar las piezas no metálicas de la herramienta. Estos productos químicos pueden debilitar los materiales plásticos utilizados en estas piezas. Utilice un paño humedecido sólo con agua y jabón neutro. Nunca permita que penetre líquido dentro de la herramienta ni sumerja ninguna de las piezas en un líquido.

## Limpieza de Boquilla (Fig. M)

Si la boquilla se obstruye con materiales extraños, como suciedad, se puede desarrollar una presión excesiva. Si la boquilla se obstruye o restringe parcialmente, la presión de la bomba pulsará. Limpie la boquilla inmediatamente con el limpiador de boquillas.

1. Apague y desconecte la unidad de lavadora a presión **8**.
2. Cierre el suministro de agua.
3. Jale el gatillo **7** en la manija de rocío **5** para liberar cualquier presión de agua.
4. Retire la boquilla de la varilla de rocío **2** jalando el collar de conexión rápida **3** hacia la varilla de rocío.
5. Usando la herramienta de limpieza de boquilla **26**, elimine cualquier desecho de la boquilla.
6. Deje correr el agua de un grifo o manguera de jardín por la boquilla.

## Almacenamiento (Fig. A, B, D, N)

- Almacene en un lugar seco y cubierto arriba de la temperatura de congelación. **ALMACENE EN INTERIORES.**
- Siempre vacíe completamente el agua de la manguera de alta presión, la unidad de la lavadora a presión, las boquillas, y la varilla de rocío.
- Las boquillas se pueden almacenar en las ranuras de almacenamiento de boquilla en la agarradera de la manija como se muestra en la Fig. A.
- El cable de energía se puede guardar enrollado alrededor de los ganchos de retención de cable de energía **20** como se muestra en la Fig. A.
- La manguera de alta presión se puede almacenar enrollada y asegurada entre la jaula y la unidad de lavadora a presión **8** como se muestra en la Fig. B.
- La varilla de rocío se puede guardar, separada en tres piezas, en el compartimiento de almacenamiento **34** como se muestra en la Fig. D y la Fig. N.
- La boquilla turbo se puede guardar en el compartimiento de almacenamiento **34** como se muestra en la Fig. D y la Fig. N.
- La unidad de lavadora a presión **8** se puede guardar vertical u horizontalmente, pero sólo apile artículos en la parte superior de la unidad en la posición de almacenamiento horizontal como se muestra en la Fig. B.

## Accesorios



**ADVERTENCIA:** *Ya que los accesorios, diferentes a los ofrecidos por DEWALT, no han sido probados con este producto, el uso de tales accesorios con esta herramienta podría ser peligroso. Para reducir el riesgo de lesiones, sólo use accesorios recomendados por DEWALT para este producto.*

Los accesorios recomendados para uso con su herramienta están disponibles por un costo adicional a partir de su distribuidor local o centro de servicio autorizado. Si necesita asistencia para localizar cualquier accesorio, póngase en contacto con DEWALT llame al 1-800-4-DEWALT (1-800-433-9258) o visite nuestro sitio web: [www.dewalt.com](http://www.dewalt.com).

## Reparaciones



**ADVERTENCIA:** *Para asegurar la SEGURIDAD y la CONFIABILIDAD del producto, las reparaciones, el mantenimiento y los ajustes (inclusive la inspección y el cambio de las escobillas, cuando proceda) deben ser realizados en un centro de mantenimiento en la fábrica DEWALT u en un centro de mantenimiento autorizado DEWALT. Utilice siempre piezas de repuesto idénticas.*

**Para reparación y servicio de sus herramientas eléctricas, favor de dirigirse al Centro de Servicio más cercano**

### CULIACAN, SIN

Bldv. Emiliano Zapata 5400-1 Poniente Col. (667) 717 89 99  
San Rafael

### GUADALAJARA, JAL

Av. La Paz #1779 - Col. Americana Sector (33) 3825 6978  
Juárez

### MEXICO, D.F.

Eje Central Lázaro Cárdenas No. 18 - Local (55) 5588 9377  
D, Col. Obrera

### MERIDA, YUC

Calle 63 #459-A - Col. Centro (999) 928 5038

### MONTERREY, N.L.

Av. Francisco I. Madero 831 Poniente - Col. (818) 375 23 13  
Centro

### PUEBLA, PUE

17 Norte #205 - Col. Centro (222) 246 3714

### QUERETARO, QRO

Av. San Roque 274 - Col. San Gregorio (442) 2 17 63 14

### SAN LUIS POTOSI, SLP

Av. Universidad 1525 - Col. San Luis (444) 814 2383

### TORREON, COAH

Bldv. Independencia, 96 Pte. - Col. Centro (871) 716 5265

### VERACRUZ, VER

Prolongación Díaz Mirón #4280 - Col. (229) 921 7016  
Remes

### VILLAHERMOSA, TAB

Constitución 516-A - Col. Centro (993) 312 5111

## PARA OTRAS LOCALIDADES:

**Si se encuentra en México, por favor llame al ( 55 )  
5326 7100**

**Si se encuentra en U.S., por favor llame al  
1-800-4-DEWALT (1-800-433-9258) o visite nuestro sitio  
web: [www.dewalt.com](http://www.dewalt.com)**

## Póliza de Garantía

IDENTIFICACIÓN DEL PRODUCTO:

Sello o firma del Distribuidor.

Nombre del producto: \_\_\_\_\_

Mod./Cat.: \_\_\_\_\_

Marca: \_\_\_\_\_

Núm. de serie: \_\_\_\_\_

(Datos para ser llenados por el distribuidor)

Fecha de compra y/o entrega del producto: \_\_\_\_\_

Nombre y domicilio del distribuidor donde se adquirió el producto: \_\_\_\_\_

Este producto está garantizado por un año a partir de la fecha de entrega, contra cualquier defecto en su funcionamiento, así como en materiales y mano de obra empleados para su fabricación. Nuestra garantía incluye la reparación o reposición del producto y/o componentes sin cargo alguno para el cliente, incluyendo mano de obra, así como los gastos de transportación razonablemente erogados derivados del cumplimiento de este certificado.

Para hacer efectiva esta garantía deberá presentar su herramienta y esta póliza sellada por el establecimiento comercial donde se adquirió el producto, de no contar con ésta, bastará la factura de compra.

## Excepciones

Esta garantía no será válida en los siguientes casos:

- Cuando el producto se hubiese utilizado en condiciones distintas a las normales;
- Cuando el producto no hubiese sido operado de acuerdo con el instructivo de uso que se acompaña;
- Cuando el producto hubiese sido alterado o reparado por personas distintas a las enlistadas al final de este certificado.

Anexo encontrará una relación de sucursales de servicio de fábrica, centros de servicio autorizados y franquiciados en la República Mexicana, donde podrá hacer efectiva su garantía y adquirir partes, refacciones y accesorios originales.

Solamente para propósito de México:  
Importado por: Black and Decker S.A de C.V.  
Antonio Dovali Jaime #70 Torre C Piso 8  
Col. Santa Fe Alvaro Obregon,  
Ciudad de Mexico, Mexico.  
C.P 01210

TEL( 52 ) 55 53267100 R.F.C.BDE8106261W7

## Registro en Línea

Gracias por su compra. Registre su producto ahora para:

- **SERVICIO EN GARANTÍA:** Si completa esta tarjeta, podrá obtener un servicio en garantía más eficiente, en caso de que exista un problema con su producto.
- **CONFIRMACIÓN DE PROPIEDAD:** En caso de una pérdida que cubra el seguro, como un incendio, una inundación o un robo, el registro de propiedad servirá como comprobante de compra.
- **PARA SU SEGURIDAD:** Si registra el producto, podremos comunicarnos con usted en el caso improbable que se deba enviar una notificación de seguridad conforme a la Federal Consumer Safety Act (Ley Federal de Seguridad de Productos para el Consumidor).
- Registro en línea en **[www.dewalt.com](http://www.dewalt.com)**.

## Garantía Limitada de Tres Años

Para los términos de garantía, visite [https://](https://www.dewalt.com/Legal/Warranty/3-Year-Limited-Warranty)

**[www.dewalt.com/Legal/Warranty/3-Year-Limited-Warranty](http://www.dewalt.com/Legal/Warranty/3-Year-Limited-Warranty)**.

Para solicitar una copia escrita de los términos de garantía, póngase en contacto con: Servicio al Cliente en DeWALT Industrial Tool Co., 701 East Joppa Road, Towson, MD 21286 o llame al 1-800-4-DeWALT (1-800-433-9258).

**AMÉRICA LATINA:** Esta garantía no se aplica a los productos que se venden en América Latina. Para los productos que se venden en América Latina, debe consultar la información de la garantía específica del país que viene en el empaque, llamar a la compañía local o visitar el sitio Web a fin de obtener esa información.

### REEMPLAZO GRATUITO DE LAS ETIQUETAS DE

**ADVERTENCIAS:** Si sus etiquetas de advertencia se vuelven ilegibles o faltan, llame al 1-800-4-DeWALT (1-800-433-9258) para que se le reemplacen gratuitamente.

## SOLUCIÓN DE PROBLEMAS



**ADVERTENCIA: Riesgo de Operación Insegura. Antes de dar servicio a la unidad, desconéctela o desconecte el suministro eléctrico, cierre el suministro de agua, descargue la presión residual, y conecte el bloqueo en apagado de la manija de rocío.**

PROBLEMA	CAUSA	CORRECCIÓN
El motor no arranca.	La unidad no está conectada.	Conecte el cable eléctrico.
	El interruptor ON/OFF está en la posición OFF (apagado).	Gire el interruptor a la posición "ON" (encendido).
	No se puede apretar el gatillo de la varilla.	Apretar el gatillo con el interruptor en la posición "ON".
	GFCI activado.	Presione el botón de restablecimiento en el GFCI en el extremo del enchufe del cable. Verifique el interruptor en el tablero eléctrico doméstico. Si se dispara el interruptor, reinicie el interruptor.
La unidad no alcanza alta presión.	La llave de agua no está completamente abierta.	Abra la válvula de agua completamente.
	Filtro de entrada de agua obstruido.	Retire el filtro y enjuague para limpiar.
	Boquilla desgastada.	Reemplace con una boquilla nueva.
	La bomba succiona aire.	Revise que las mangueras y accesorios sean herméticos. Apague la máquina y purgue la bomba apretando el gatillo hasta que salga un flujo estable de agua de la boquilla.
	Suministro de agua restringido.	Revise la manguera de agua respecto a torceduras, fugas y bloqueo.
La presión de salida varía entre alta/baja.	No hay suficiente suministro de agua de entrada.	Abra el agua en fuerza completa - revise la manguera respecto a fugas y torceduras.
	La bomba succiona aire.	Revise que las mangueras y accesorios sean herméticos. Apague la máquina y purgue la bomba apretando el gatillo hasta que salga un flujo estable de agua de la boquilla.
	Pantalla de entrada de agua obstruida.	Para desbloquear, enjuague con agua.
	La boquilla de descarga está obstruida.	Purgue o retire los derechos.
No hay detergente.	No se usa la boquilla de jabón.	El detergente sólo sale cuando usa la boquilla de jabón. El detergente no fluye cuando se usa una boquilla de alta presión.
	El tanque de jabón está vacío.	Agregue más detergente.
	Tanque de jabón no está conectado adecuadamente.	Revise las conexiones. Asegúrese que el tanque de jabón esté completamente asegurado en la unidad de lavado a presión.
	El detergente es demasiado espeso.	Use el detergente recomendado para uso en lavadores a presión únicamente.
	Puertos de succión de detergente dañados u obstruidos.	Retire la obstrucción o la suciedad y deje correr agua tibia sobre los puertos de succión de detergente.
Fuga de la conexión de la manguera de jardín.	La boquilla de descarga está obstruida.	Purgue o retire los derechos. Pase agua tibia a través de la boquilla para retirar los desechos
	Accesorios sueltos.	Apretar los accesorios.
	Arandela de plástico faltante/desgastada.	Reemplace la arandela en el adaptador de la manguera.
Fugas de varilla de rocío o extensión.	Varilla de rocío no conectada adecuadamente.	Consulte <b>Ensamble de varilla de rocío en Ensamble y ajustes.</b>
	Anillo O roto.	Póngase en contacto con un representante de servicio al cliente: DeWALT al 1-800-4-DeWALT (1-800-433-9258).
La bomba es excesivamente ruidosa.	La bomba succiona aire.	Revise que las mangueras y accesorios sean herméticos. Apague la máquina y purgue la bomba apretando el gatillo hasta que salga un flujo estable de agua de la boquilla.
Fuga de agua de la bomba.	Accesorios sueltos.	Revise que los accesorios estén apretados.
	Sellos de agua dañados o desgastados.	Póngase en contacto con un representante de servicio al cliente: DeWALT al 1-800-4-DeWALT (1-800-433-9258).
Fugas de aceite.	Sellos de aceite dañados o desgastados.	Póngase en contacto con un representante de servicio al cliente: DeWALT al 1-800-4-DeWALT (1-800-433-9258).
El motor zumba pero no opera.	Voltaje de suministro debajo del mínimo.	Verifique que sólo la lavadora a presión funcione en este circuito.
	El sistema tiene presión residual.	Apague la unidad, presione el gatillo en la varilla de rocío para liberar la presión, y encienda la unidad.
	Pérdida de voltaje debida a cable de extensión.	Conecte directamente al tomacorriente.
	Lavadora no usada por periodos prolongados.	Póngase en contacto con un representante de servicio al cliente: DeWALT al 1-800-4-DeWALT (1-800-433-9258).





DeWALT Industrial Tool Co. 701 East Joppa Road, Towson, MD 21286  
Copyright © 2021

The following are trademarks for one or more DeWALT power tools: the yellow and black color scheme, the "D" shaped air intake grill, the array of pyramids on the handgrip, the kit box configuration, and the array of lozenge-shaped humps on the surface of the tool.