



## New Pontoon Line Sports More Sizes and New Features

The complete line of ShoreLand'r Pontoon Trailers has been updated with new models to fit today's larger, heavier pontoons. In addition to these new sizes and better fit, these trailers are loaded with great ShoreLand'r features, including:

- **Smooth, Stable Towing**  
heavy-duty tube-steel frame, precision built axles, factory-balanced wheels
- **Long-Term Durability**  
your choice of durable finish - diamond black powder-coat or rugged galvanized, plus impact-resistant Custom Molded Fenders
- **Precise Loading At The Ramp**  
fully carpeted full-length bunks, adjustable winch post, heavy-duty geared winch and dual cushioned deck stops
- **Safe Step-Up Access**  
heavy-duty steps with safety handrail for easy boarding
- **Easy Maintenance**  
dependable grease-pack hubs with bearing protectors, fully-ground wiring with LED side-marker lights
- **Variety Of Accessories**  
tri-toon conversion kits, load guides... and more!



PT1720



PT1922



PT2122



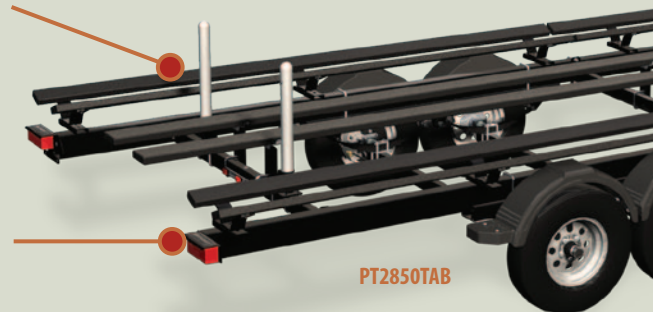
PT2147TAB

### Built To Last

This heavy duty, 3" x 5" tube steel frame is the toughest in the industry. The welded Uni-frame construction provides maximum strength and less flex for longer trailer life.

### NEW! Trouble-free Lighting System

Sealed taillights with dependable, fully-ground wiring and LED side-marker lights. It all adds up to a trouble-free system you can count on.



PT2850TAB

# ? SMART BUYER QUESTION

Hit your dealer up with this question and they'll know you're a savvy shopper...

**"Does the law require brakes on this trailer?"**

Visit [www.shorelandr.com](http://www.shorelandr.com) for answers to these and hundreds of other trailering questions



PT2347TB



PT2567TBB



PT2958TBB



PT2967TB



### User-Friendly

This unique winch post design features dual cushioned deck stops and convenient steps for easy access to your pontoon.



### Safety First

Dependable Disc Brakes with corrosion-free rubber brake hoses ensure you have the smooth stopping power you need.

Now standard on all brake models.

Models and specifications are subject to change. Some models are shown with optional equipment.





## PONTOON

MODEL	TRAILER STYLE	CAPACITY	HULL LENGTH MIN.	HULL LENGTH MAX.	MAX OVERALL LENGTH	OVERALL WIDTH	TIRE SIZE	BRAKES	LIGHTING
PT1415	Pontoon	1500 lb. (680kg)	8' (2.44m)	14' (4.27m)	17' 5" (5.31m)	80.25" (2.04m)	5.30x12-C	N/A	Submersible
PT1420	Pontoon	2000 lb. (907kg)	10' (3.05m)	14' (4.27m)	18' 6" (5.64m)	102" (2.59m)	20.5x8.0x10-E	8" Disc (Opt.)	Submersible
PT1720	Pontoon	2000 lb. (907kg)	14' (4.27m)	17' (5.18m)	21' 6" (6.55m)	102" (2.59m)	20.5x8.0x10-E	8" Disc (Opt.)	Submersible
PT1922	Pontoon	2200 lb. (998kg)	16' (4.88m)	19' (5.79m)	23' 1" (7.04m)	96.5" (2.45m)	20.5x8.0x10-E	8" Disc (Opt.)	Submersible
PT1922B	Pontoon	2200 lb. (998kg)	16' (4.88m)	19' (5.79m)	24' 1" (7.34m)	96.5" (2.45m)	20.5x8.0x10-E	8" Disc Standard	Submersible
PT1922A	Pontoon	2200 lb. (998kg)	16' (4.88m)	19' (5.79m)	23' 1" (7.04m)	93.5" (2.37m)	ST185/80R13-C	10" Disc (Opt.)	Submersible
PT1925AB	Pontoon	2500 lb. (1134kg)	16' (4.88m)	19' (5.79m)	24' 1" (7.34m)	93.5" (2.37m)	ST185/80D13-D	10" Disc Standard	Submersible
PT2122	Pontoon	2200 lb. (998kg)	17' (5.18m)	21' (6.40m)	24' 9" (7.54m)	96.5" (2.45m)	20.5x8.0x10-E	8" Disc (Opt.)	Submersible
PT2122B	Pontoon	2200 lb. (998kg)	17' (5.18m)	21' (6.40m)	25' 9" (7.85m)	96.5" (2.45m)	20.5x8.0x10-E	8" Disc Standard	Submersible
PT2122A	Pontoon	2200 lb. (998kg)	17' (5.18m)	21' (6.40m)	24' 9" (7.54m)	93.5" (2.37m)	ST185/80R13-C	10" Disc (Opt.)	Submersible
PT2125AB	Pontoon	2500 lb. (1134kg)	18' (5.49m)	21' (6.40m)	25' 9" (7.85m)	93.5" (2.37m)	ST185/80D13-D	10" Disc Standard	Submersible
PT2127AB	Pontoon	2700 lb. (1225kg)	18' (5.49m)	21' (6.40m)	25' 9" (7.85m)	93.5" (2.37m)	ST215/75R14-C	10" Disc Standard	Submersible
PT2147TB	Pontoon	4700 lb. (2132kg)	17' (5.18m)	21' (6.40m)	25' 9" (7.85m)	96.5" (2.45m)	71" 20.5x8.0x10-E	8" Disc Standard 1 Axle	Submersible
PT2147TBB	Pontoon	4700 lb. (2132kg)	17' (5.18m)	21' (6.40m)	25' 9" (7.85m)	96.5" (2.45m)	20.5x8.0x10-E	8" Disc Standard 2 Axles	Submersible
PT2147TAB	Pontoon	4700 lb. (2132kg)	17' (5.18m)	21' (6.40m)	25' 9" (7.85m)	93.5" (2.37m)	ST185/80R13-C	10" Disc Standard 1 Axle	Submersible
PT2147TABB	Pontoon	4700 lb. (2132kg)	17' (5.18m)	21' (6.40m)	25' 9" (7.85m)	93.5" (2.37m)	ST185/80R13-C	10" Disc Standard 2 Axles	Submersible
PT2321A	Pontoon	2100 lb. (953kg)	20' (6.10m)	23' (7.01m)	28' 8" (8.74m)	93.5" (2.37m)	ST185/80D13-D	10" Disc (Opt.)	Submersible
PT2325AB	Pontoon	2500 lb. (1134kg)	20' (6.10m)	23' (7.01m)	27' 11" (8.51m)	93.5" (2.37m)	ST185/80D13-D	10" Disc Standard	Submersible
PT2327AB	Pontoon	2700 lb. (1225kg)	20' (6.10m)	23' (7.01m)	27' 11" (8.51m)	93.5" (2.37m)	ST215/75R14-C	10" Disc Standard	Submersible
PT2347TB	Pontoon	4700 lb. (2132kg)	20' (6.10m)	23' (7.01m)	27' 11" (8.51m)	96.5" (2.45m)	20.5x8.0x10-E	8" Disc Standard 1 Axle	Submersible
PT2347TBB	Pontoon	4700 lb. (2132kg)	20' (6.10m)	23' (7.01m)	27' 11" (8.51m)	96.5" (2.45m)	20.5x8.0x10-E	8" Disc Standard 2 Axles	Submersible
PT2347TAB	Pontoon	4700 lb. (2132kg)	20' (6.10m)	23' (7.01m)	27' 11" (8.51m)	93.5" (2.37m)	ST185/80R13-C	10" Disc Standard 1 Axle	Submersible
PT2347TABB	Pontoon	4700 lb. (2132kg)	20' (6.10m)	23' (7.01m)	27' 11" (8.51m)	93.5" (2.37m)	ST185/80R13-C	10" Disc Standard 2 Axles	Submersible
PT2547TB	Pontoon	4700 lb. (2132kg)	22' (6.71m)	25' (7.62m)	30' 11" (9.42m)	96.5" (2.45m)	20.5x8.0x10-E	8" Disc Standard 1 Axle	Submersible
PT2547TBB	Pontoon	4700 lb. (2132kg)	22' (6.71m)	25' (7.62m)	30' 11" (9.42m)	96.5" (2.45m)	20.5x8.0x10-E	8" Disc Standard 2 Axles	Submersible
PT2550TAB	Pontoon	5000 lb. (2268kg)	22' (6.71m)	25' (7.62m)	30' 11" (9.42m)	93.5" (2.37m)	ST185/80D13-D	10" Disc Standard 1 Axle	Submersible
PT2555TABB	Pontoon	5500 lb. (2495kg)	22' (6.71m)	25' (7.62m)	30' 11" (9.42m)	93.5" (2.37m)	ST185/80D13-D	10" Disc Standard 2 Axles	Submersible
PT2847TB	Pontoon	4700 lb. (2132kg)	26' (7.92m)	28' (8.53m)	32' (9.75m)	96.5" (2.45m)	20.5x8.0x10-E	8" Disc Standard 1 Axle	Submersible
PT2847TBB	Pontoon	4700 lb. (2132kg)	26' (7.92m)	28' (8.53m)	32' (9.75m)	96.5" (2.45m)	ST185/80R13-C	8" Disc Standard 1 Axle	Submersible
PT2850TAB	Pontoon	5000 lb. (2268kg)	26' (7.92m)	28' (8.53m)	32' (9.75m)	93.5" (2.37m)	ST185/80D13-D	10" Disc Standard 1 Axle	Submersible
PT2855TABB	Pontoon	5500 lb. (2495kg)	26' (7.92m)	28' (8.53m)	32' (9.75m)	93.5" (2.37m)	ST185/80D13-D	10" Disc Standard 2 Axles	Submersible
PT2958TBB	Pontoon	5800 lb. (2631kg)	26' (7.92m)	29' (8.53m)	34' 4" (10.46m)	101.5" (2.58m)	ST215/75R14-C	10" Disc Standard 2 Axles	Submersible
PT2567TBB	Pontoon	6700 lb. (2495kg)	22' (6.71m)	25' (7.62m)	31' 6" (9.60m)	101.5" (2.58m)	ST205/75R15-D	12" Disc Standard 2 Axles	Submersible
PT2967TBB	Pontoon	6700 lb. (2495kg)	26' (7.92m)	29' (8.53m)	34' 4" (10.46m)	101.5" (2.58m)	ST205/75R15-D	12" Disc Standard 2 Axles	Submersible

## Superior finish options



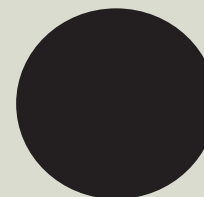
Whether you choose our beautiful powder-coat finish or rugged galvanized, you'll appreciate the extra care we put into making sure your trailer looks good for the long haul.

### Powder-coated paint

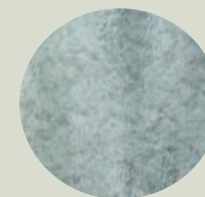
Our special powder coating system provides more uniform coverage for a deep luster finish. Available in your choice of colors:



**arctic white**  
available on  
2300 lb. to 8000 lb. models



**diamond black**  
available on  
700 lb. to 8000 lb. models



**rugged galvanized**  
available on  
700 lb. to 8000 lb. models

Visit [www.shorelandr.com](http://www.shorelandr.com) for the latest updates!