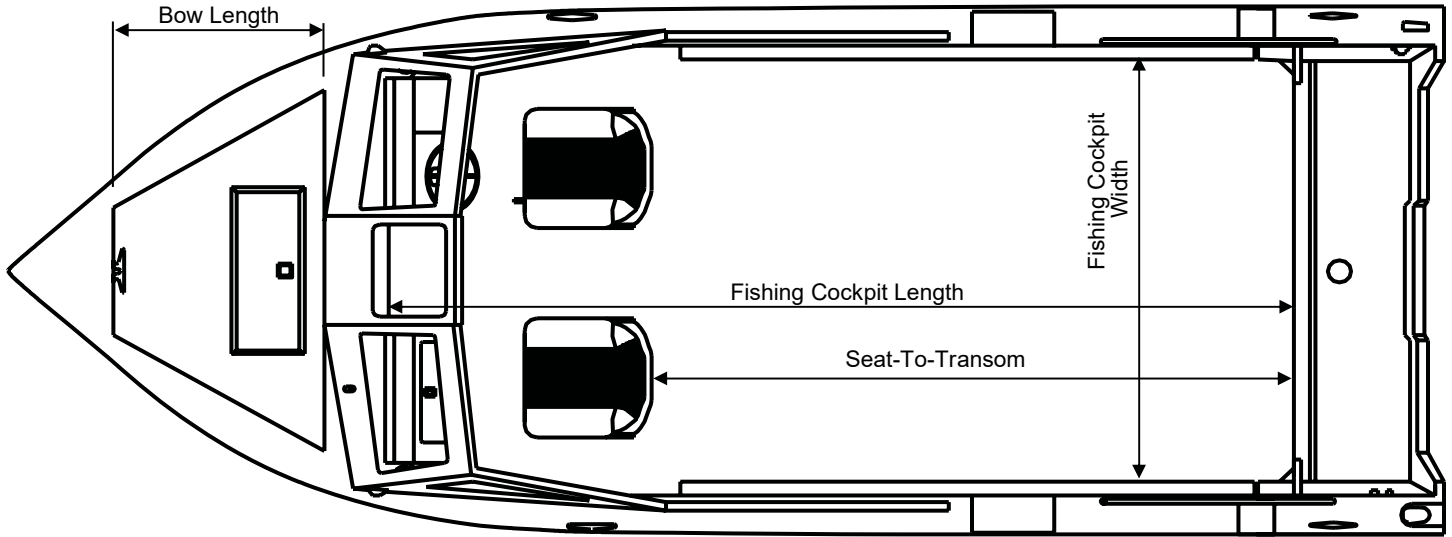


SPECIFICATIONS PROV

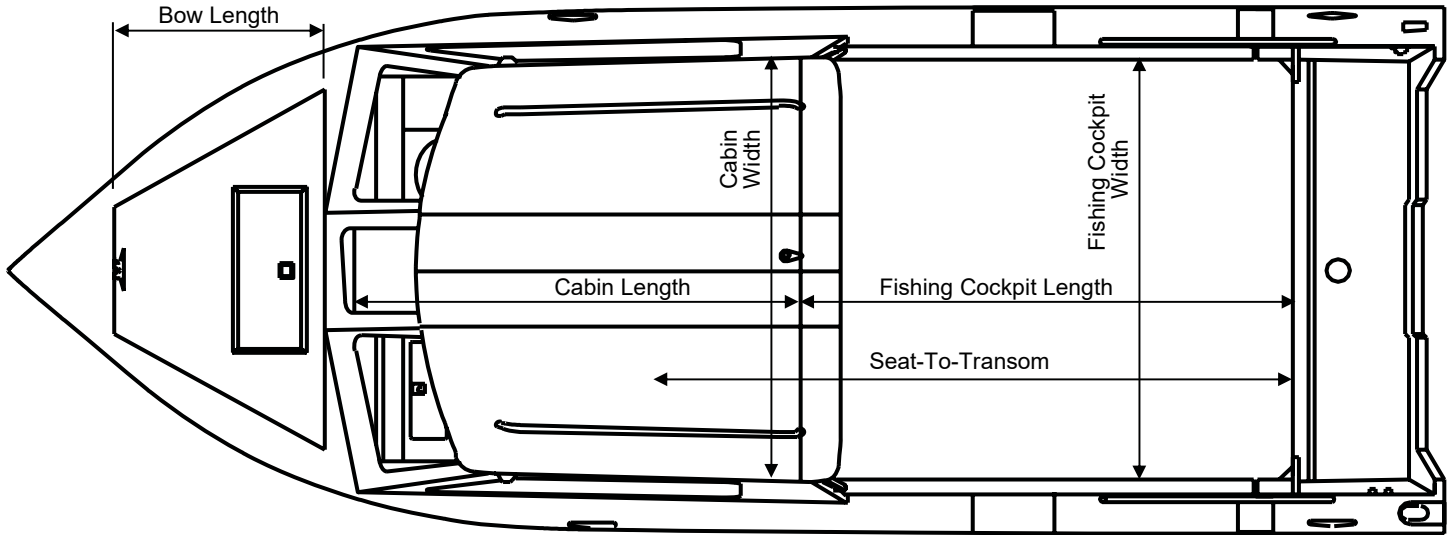


MEASUREMENT	200 PV
Length	20' 4"
Hull Length	20' 4"
Total Length	20' 4"
Beam (in)	94
Dead Rise: Forward X Amidship X Aft (degrees)	30 X 15 X 14
Bottom Dimensions: Thickness X Width (in)	0.19 X 72
Side Dimensions: Thickness X Height (in)	0.1 X 32
Transom Dimensions: Width X Height (in)	94 X 25.5
Person Capacity: Quantity X Weight (lbs)*	7 X 1,155
Maximum Fuel Capacity (gal)	48
Maximum Horsepower (HP)	175
Maximum Capacity (lbs)*	1,963
Boat Dry Weight (lbs)	1,700
Fishing Cockpit: Width X Length (in)	80 X 152
Seat-To-Transom: Length (in)	112
Bow Length (in)	36

* Recommendations only for boats over 20'

NOTE: Measurements are approximations only. Variations will occur due to tolerances in manufacturing

SPECIFICATIONS PROV HT

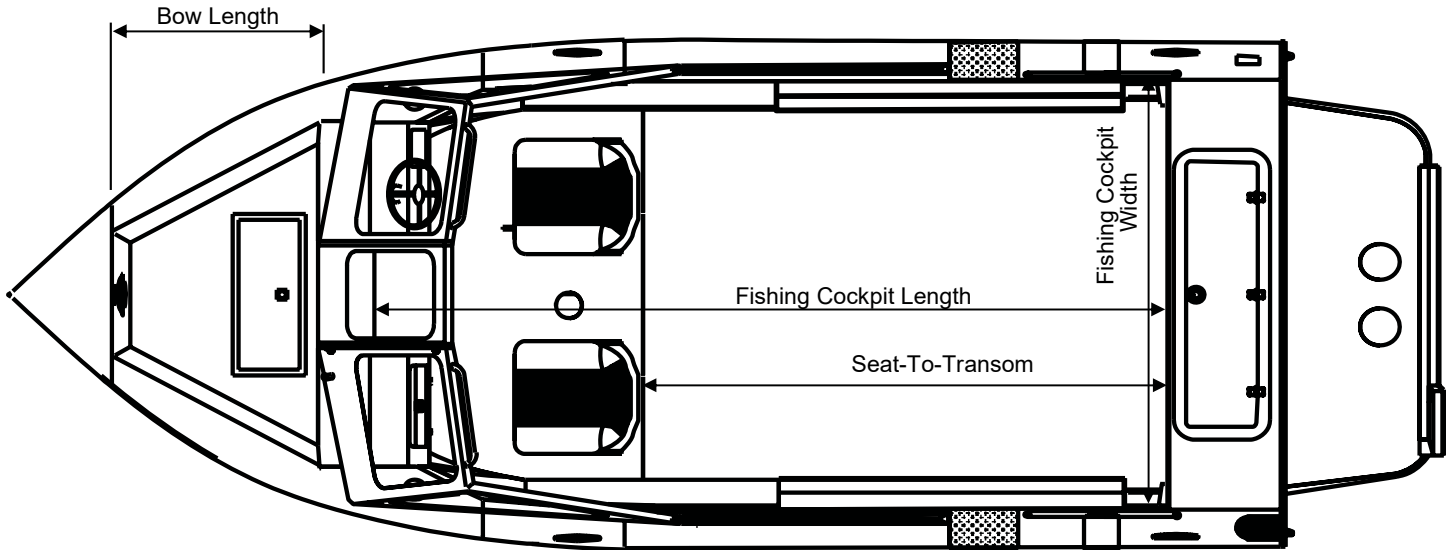


MEASUREMENT	200 PV HT
Hard top type	SLC
Length	20' 4"
Hull Length	20' 4"
Total Length	20' 4"
Beam (in)	94
Dead Rise: Forward X Amidship X Aft (degrees)	30 X 15 X 14
Bottom Dimensions: Thickness X Width (in)	0.19 X 72
Side Dimensions: Thickness X Height (in)	0.1 X 32
Transom Dimensions: Width X Height (in)	94 X 25.5
Person Capacity: Quantity X Weight (lbs)*	6 X 990
Maximum Fuel Capacity (gal)	48
Maximum Horsepower (HP)	175
Maximum Capacity (lbs)*	1,946
Boat Dry Weight (lbs)	1,850
Fishing Cockpit: Width X Length (in)	80 X 73
Seat-To-Transom: Length (in)	112
Bow Length (in)	36
Cabin: Width X Length (in) X Height (in)	79.5 X 80 X 70

* Recommendations only for boats over 20'

NOTE: Measurements are approximations only. Variations will occur due to tolerances in manufacturing

SPECIFICATIONS PROV ET

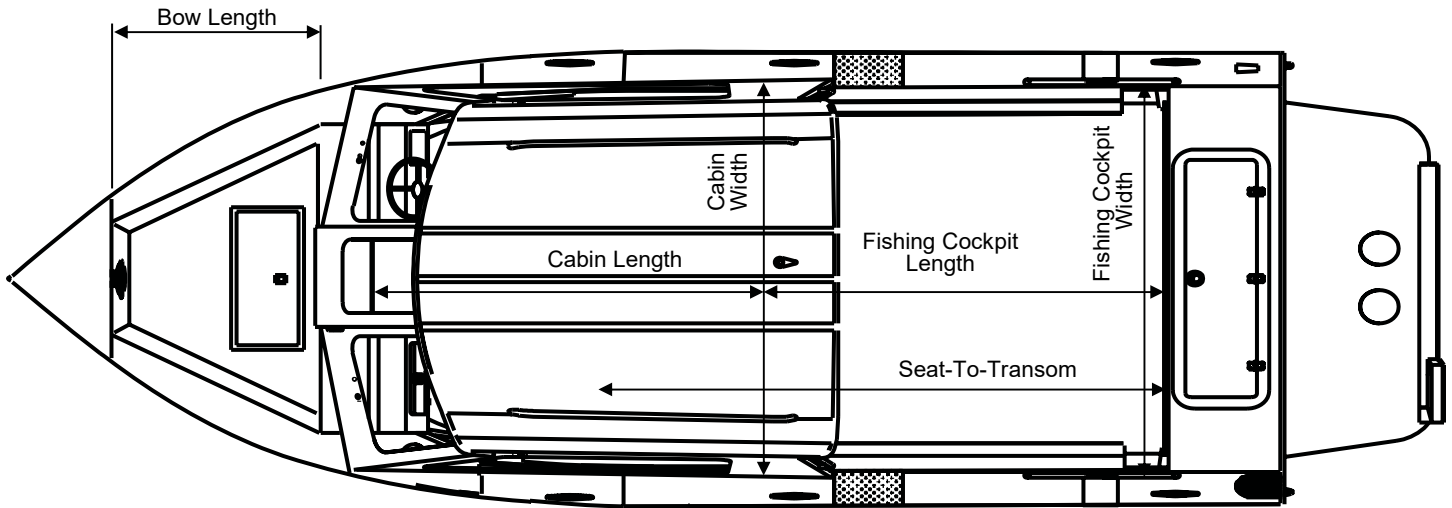


MEASUREMENT	180 PV ET	200 PV ET
Length	18' 5"	20' 5"
Hull Length	20' 8"	22' 8"
Total Length	20' 8"	22' 8"
Beam (in)	94	94
Dead Rise: Forward X Amidship X Aft (degrees)	30 X 15 X 14	30 X 15 X 14
Bottom Dimensions: Thickness X Width (in)	0.19 X 72	0.19 X 72
Side Dimensions: Thickness X Height (in)	0.1 X 32	0.1 X 32
Transom Dimensions: Width X Height (in)	94 X 25.5	94 X 25.5
Person Capacity: Quantity X Weight (lbs)*	7 X 1,155	8 X 1,320
Maximum Fuel Capacity (gal)	48	48
Maximum Horsepower (HP)	175	200
Maximum Capacity (lbs)*	2,070	2,663
Boat Dry Weight (lbs)	1,725	1,925
Fishing Cockpit: Width X Length (in)	80 X 138	80 X 162
Seat-To-Transom: Length (in)	98.5	122.5
Bow Length (in)	36	36

* Recommendations only for boats over 20'

NOTE: Measurements are approximations only. Variations will occur due to tolerances in manufacturing

SPECIFICATIONS PROV ET HT



MEASUREMENT	180 PV ET HT	200 PV ET HT
Hard top type	SLC	SLC
Length	18' 5"	20' 5"
Hull Length	20' 8"	22' 8"
Total Length	20' 8"	22' 8"
Beam (in)	94	94
Dead Rise: Forward X Amidship X Aft (degrees)	30 X 15 X 14	30 X 15 X 14
Bottom Dimensions: Thickness X Width (in)	0.19 X 72	0.19 X 72
Side Dimensions: Thickness X Height (in)	0.1 X 32	0.1 X 32
Transom Dimensions: Width X Height (in)	94 X 25.5	94 X 25.5
Person Capacity: Quantity X Weight (lbs)*	6 X 990	7 X 1,155
Maximum Fuel Capacity (gal)	48	48
Maximum Horsepower (HP)	175	200
Maximum Capacity (lbs)*	2,040	2,633
Boat Dry Weight (lbs)	1,875	2,075
Fishing Cockpit: Width X Length (in)	80 X 59	80 X 83
Seat-To-Transom: Length (in)	98.5	122.5
Bow Length (in)	36	36
Cabin: Width X Length (in) X Height (in)	79.5 X 80 X 70	79.5 X 80 X 70

* Recommendations only for boats over 20'

NOTE: Measurements are approximations only. Variations will occur due to tolerances in manufacturing