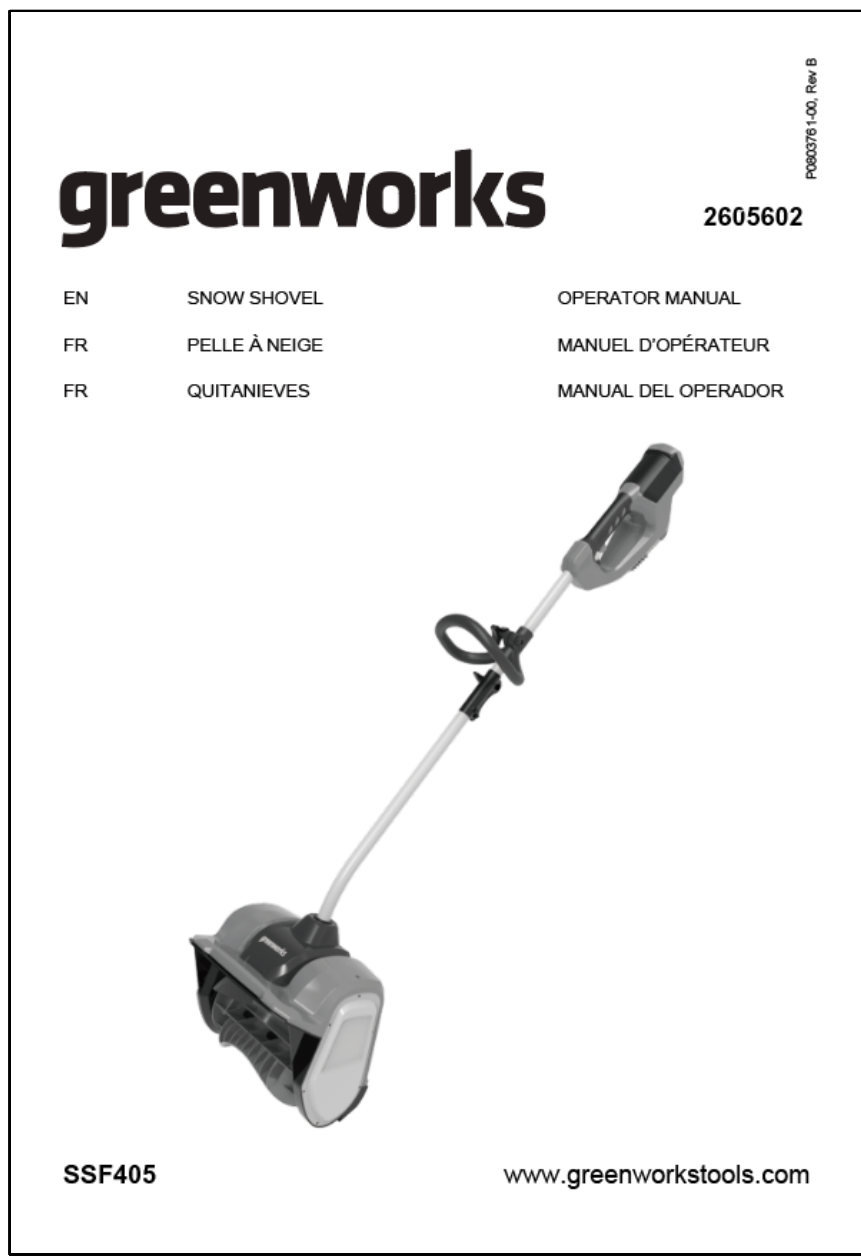


P0803761-00

210mm



145mm



SCALE: A5

技术要求:

1. 材质要求: 60g双胶纸, 85%本白
2. 44P, 内容见电子档;
3. 说明书为单黑印刷, 保持色块始终朝外; 要求无色差, 无污点;
4. 骑马钉, 裁切均匀、无连页, 钉子不能生锈;
5. 以封样为准;
6. 料件需符合格力博HSF文件(编号: GLB-CGR-146) 里关于环保和有害物质的具体要求。

版本号

B

描 复

B

日 期

					说明书				常州格力博集团	
设计	杨媛	标准化	王小妮	阶段标记	视角标记	重量	比例	2605602CTBT		
校对	刘小娟	审定		S	A	B				
审核	周艳	批准	李海平	共 1 张		第 1 张		ERP号	P0803761-00	
工艺		日期	21.8.28							

greenworks

2605602

P0803761-00, Rev B

EN	SNOW SHOVEL	OPERATOR MANUAL
FR	PELLE À NEIGE	MANUEL D'OPÉRATEUR
FR	QUITANIEVES	MANUAL DEL OPERADOR



SSF405

www.greenworkstools.com

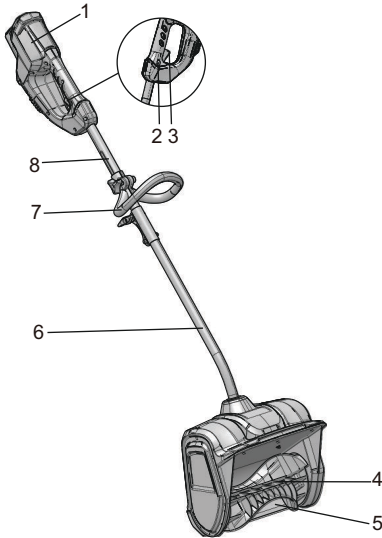
1	Description.....	4	9.3	Attach the auxiliary handle.....	8
1.1	Purpose.....	4	9.4	Install the battery pack.....	9
1.2	Overview.....	4	9.5	Remove the battery pack.....	9
2	General appliance safety		10	Operation.....	9
	warnings.....	4	10.1	Cold weather operation.....	9
3	Recommended ambient		10.2	Start the machine.....	10
	temperature range:.....	6	10.3	Stop the machine.....	10
4	Symbols on the product.....	6	10.4	Operate the machine.....	10
5	Risk levels.....	6	11	Maintenance.....	10
6	Service.....	6	11.1	General maintenance.....	10
7	Environmentally safe battery		11.2	Replace the scraper.....	11
	disposal.....	6	11.3	Replace the impeller.....	11
8	Proposition 65.....	7	12	Transportation and storage.....	13
9	Installation.....	7	13	Troubleshooting.....	13
9.1	Unpack the machine.....	7	14	Technical data.....	13
9.2	Attach the shaft.....	8	15	Limited warranty.....	14
			16	Exploded view.....	15

1 DESCRIPTION

1.1 PURPOSE

This machine is used to remove and clear away snow from pavements, gardens, driveways and other ground-level surfaces.

1.2 OVERVIEW



- 1 Battery compartment
- 2 Lock-out button
- 3 Trigger
- 4 Impeller
- 5 Scraper
- 6 Lower shaft
- 7 Auxiliary handle
- 8 Upper shaft

2 GENERAL APPLIANCE SAFETY WARNINGS

▲ WARNING

Read all safety warnings and all instructions. Failure to follow the warnings and instructions may result in electric shock, fire and/or serious injury.

Save all warnings and instructions for future reference.

The term “appliance” in the warnings refers to your battery-operated (cordless) snow shovel.

- Do not allow children under the age of 14 to operate this tool. Children who are 14 years of age or older must read

and understand the operating instructions and safety rules in this manual and must be trained and supervised by a parent.

- Read the operating and service instruction manual carefully. Be thoroughly familiar with the controls and the proper use of the appliance. Know how to stop the unit and disengage the controls quickly.
- Never allow children to operate the appliance. Never allow adults to operate the appliance without proper instruction.
- Keep the area of operation clear of all persons, particularly small children, and pets.
- Exercise caution to avoid slipping or falling, especially when operating in reverse.
- Do not use on graveled surfaces.
- Dress Properly – Do not wear loose clothing or jewelry. They can be caught in moving parts.
- Wear rubber boots when operating the appliance.
- Operation of the appliance in the hand-held position is unsafe, except in accordance with the special instructions for such use provided in the operator’s manual.
- Thoroughly inspect the area where the appliance is to be used and remove all doormats, sleds, boards, wires, and other foreign objects.
- Do not operate the appliance without wearing adequate winter garments. Wear footwear, which will improve footing on slippery surfaces.
- Adjust the housing height to clear gravel or crushed rock surface.
- Never attempt to make any adjustments while the appliance is running (except where specifically recommended by manufacturer).
- Always wear safety glasses or eye shields during operation or while performing an adjustment or repair to protect eyes from foreign objects that may be thrown from the appliance.
- Prevent unintentional starting. Ensure the switch is in the off-position before connecting to battery pack, picking up or carrying the appliance. Carrying the appliance with your finger on the switch or energizing appliance that have the switch on invites accidents.
- Disconnect the battery pack from the appliance before making any adjustments, changing accessories, or storing appliance. Such preventive safety measures reduce the risk of starting the appliance accidentally.
- When battery pack is not in use, keep it away from other metal objects, like paper clips, coins, keys, nails, screw or other small metal objects, that can make a connection from one terminal to another. Shorting the battery terminals together may cause burns or a fire.
- Under abusive conditions, liquid may be ejected from the battery; avoid contact. If contact accidentally occurs, flush with water. If liquid contacts eyes, additionally seek medical help. Liquid ejected from the battery may cause irritation or burns.
- Do not put hands or feet near or under rotating parts. Keep clear of the discharge opening at all times.










- Exercise extreme caution when operating on or crossing gravel drives, walks, or roads. Stay alert for hidden hazards or traffic.
- After striking a foreign object, turn the machine off and remove the battery pack, and then inspect it for damage. Repair any damage before restarting and using the machine.
- If the appliance should start to vibrate abnormally, stop the machine and check immediately for the cause. Vibration is generally a warning of trouble.
- Stop the machine whenever you leave the operating position, before unlogging the collector/impeller housing or discharge guide, and when making any repairs, adjustments, or inspections.
- When cleaning, repairing, or inspecting, make certain the collector/impeller and all moving parts have stopped.
- Exercise extreme caution when operating on slopes.
- Never operate the appliance without proper guards, keep other safety protective devices in place and working.
- Never direct the discharge toward people or areas where property damage can occur. Keep children and others away.
- Don't Overreach – Keep proper footing and balance at all times.
- Do not overload the machine capacity by attempting to clear snow at too fast a rate.
- Don't Force appliance – It will perform better and safer at the rate for which it was designed.
- Never operate the appliance at high transport speeds on slippery surfaces. Use care when reversing.
- Never direct discharge at bystanders or allow anyone in front of the appliance.
- Disengage power to the collector/impeller when the appliance is transported or not in use.
- Use only attachments and accessories approved by the manufacturer of the appliance (such as wheel weights, counterweights, or cabs).
- Never operate the appliance without good visibility or light. Always be sure of your footing, and keep a firm hold on the handles.
- Walk, never run.
- Clearing a Clogged Discharge Chute.
- The machine is not intended for use by persons (including children) with reduced physical, sensory or mental capabilities, or lack of experience and knowledge, unless they have been given supervision or instruction concerning use of the machine by a person responsible for their safety. Children should be supervised to ensure that they do not play with the machine.
- Hand contact with the rotating impeller inside the discharge chute is the most common cause of injury associated with appliances. Never use your hand to clean out the discharge chute. To clear the chute:
 1. SHUT THE ENGINE (Motor) OFF!
 2. Wait 10 seconds to be sure the impeller blades have stopped rotating.
- 3. Always use a clean-out tool, not your hands.
- If the appliance strikes a foreign object follow these steps:
 1. Stop the appliance. Release the switch.
 2. Remove the battery pack.
 3. Inspect for damage.
 4. Repair any damage before restarting and operating the appliance.
- Check shear bolts; engine-mounted bolt, etc., at frequent intervals for proper tightness to be sure the appliance is in safe working condition.
- Always refer to owner's guide instructions for important details if the appliance is to be stored for an extended period.
- Store Idle appliances Indoors – When not in use, the appliances should be stored indoors in a dry, locked-up place – out of reach of children.
- Check shear bolts and other bolts at frequent intervals for proper tightness to be sure the equipment is in safe working condition.
- Run the appliance a few minutes after throwing snow to prevent freeze-up of the collector/impeller.
- Do not use a battery pack or appliance that is damaged or modified. Damaged or modified batteries may exhibit unpredictable behavior resulting in fire, explosion or risk of injury.
- Do not expose a battery pack or appliance to fire or excessive temperature space. Exposure to fire or temperature above 265°F (130°C) may cause explosion.
- Follow all charging instructions and do not charge the battery pack or appliance outside of the temperature range specified in the instructions. Charging improperly or at temperatures outside of the specified range may damage the battery and increase the risk of fire.
- Recharge only with the charger specified by the manufacturer. A charger that is suitable for one type of battery pack may create a risk of fire when used with another battery pack.
- Use appliances only with specifically designated battery packs. Use of any other battery packs may create a risk of injury and fire.
- Have servicing performed by a qualified repair person using only identical replacement parts. This will ensure that the safety of the product is maintained.
- Do not modify or attempt to repair the appliance or the battery pack (as applicable) except as indicated in the instructions for use and care.
- Maintain appliance with care - follow instructions for changing accessories.
- Maintain or replace safety and instructions labels, as necessary.


3 RECOMMENDED AMBIENT TEMPERATURE RANGE:

Item	Temperature
Snow shovel storage temperature range	1.4 °F (-17 °C) ~ 113 °F (45 °C)
Snow shovel operation temperature range	1.4 °F (-17 °C) ~ 113 °F (45 °C)
Battery charging temperature range	39 °F (4 °C) ~ 104 °F (40 °C)
Charger operation temperature range	39 °F (4 °C) ~ 104 °F (40 °C)
Battery discharging temperature range	1.4 °F (-17 °C) ~ 113 °F (45 °C)
Battery storage temperature range	32 °F (0 °C) ~ 113 °F (45 °C)

4 SYMBOLS ON THE PRODUCT




Some of the following symbols may be used on this tool. Please study them and learn their meaning. Proper interpretation of these symbols will allow you to operate the tool better and safer.

Symbol	Explanation
	Direct current
	Precautions that involve your safety.
	Read and understand all instructions before operating the product, and follow all warnings and safety instructions.
	Wear eye protection.
	Thrown objects can ricochet and result in personal injury or property damage. Wear protective clothing and boots.
	Keep bystanders a safe distance from the machine.
	Keep hands away from the discharge area.
	Stay away from moving parts. Keep all guards and shields in place.
	Keep feet out of impeller. Keep feet away from rotating impeller.

Symbol	Explanation
	Stop the motor and remove the battery before leaving the product.

5 RISK LEVELS

The following signal words and meanings are intended to explain the levels of risk associated with this product.

SYM-BOL	SIGNAL	MEANING
	DANGER	Indicates an imminently hazardous situation, which, if not avoided, will result in death or serious injury.
	WARNING	Indicates a potentially hazardous situation, which, if not avoided, could result in death or serious injury.
	CAUTION	Indicates a potentially hazardous situation, which, if not avoided, may result in minor or moderate injury.
	CAUTION	(Without Safety Alert Symbol) Indicates a situation that may result in property damage.

6 SERVICE

Servicing requires extreme care and knowledge and must be performed only by a qualified service technician. For service we suggest you return the machine to your nearest **AUTHORIZED SERVICE CENTER** for repair. Use only identical manufacturer's replacement parts and accessories.

7 ENVIRONMENTALLY SAFE BATTERY DISPOSAL



The toxic and corrosive materials below are in the batteries used in this machine: **Lithium-Ion, a toxic material.**

▲ WARNING

Discard all toxic materials in a specified manner to prevent contamination of the environment. Before discarding damaged or worn out Li-ion battery, contact your local waste disposal agency, or the local Environmental Protection Agency for information and specific instructions. Take the batteries to a local recycling and/or disposal center, certified for lithium-ion disposal.

▲ WARNING

If the battery pack cracks or breaks, with or without leaks, do not recharge it and do not use. Discard it and replace with a new battery pack. **DO NOT TRY TO REPAIR IT!** To prevent injury and risk of fire, explosion, or electric shock, and to avoid damage to the environment:

- Cover the terminals of the battery with heavy-duty adhesive tape.
- **DO NOT** try to remove or destroy any of the battery pack components.
- **DO NOT** try to open the battery pack.
- If a leak develops, the released electrolytes are corrosive and toxic. **DO NOT** get the solution in the eyes or on skin, and do not swallow it.
- **DO NOT** put these batteries in your regular household trash.
- **DO NOT** incinerate.
- **DO NOT** put them where they will become part of any waste landfill or municipal solid waste stream.
- Take them to a certified recycling or disposal center.

8 PROPOSITION 65**▲ WARNING**

This product contains a chemical known to the state of California to cause cancer, birth defects or other reproductive harm. Some dust created by power sanding, sawing, grinding, drilling, and other construction activities contains chemicals known to cause cancer, birth defects or other reproductive harm. Some examples of these chemicals are:

- Lead from lead-based paints;
- Crystalline silica from bricks and cement and other masonry products;
- Arsenic and chromium from chemically treated lumber.

Your risk of exposure to these chemicals varies depending on how often you do this type of work. To reduce your exposure to these chemicals, work in a well-ventilated area, and work with approved safety equipment, such as dust masks that are specially designed to filter out microscopic particles.

Save these instructions.

9 INSTALLATION**▲ WARNING**

Do not change or make accessories that are not recommended by the manufacturer.

▲ WARNING

Do not install the battery pack until you assemble all the parts.

9.1 UNPACK THE MACHINE**▲ WARNING**

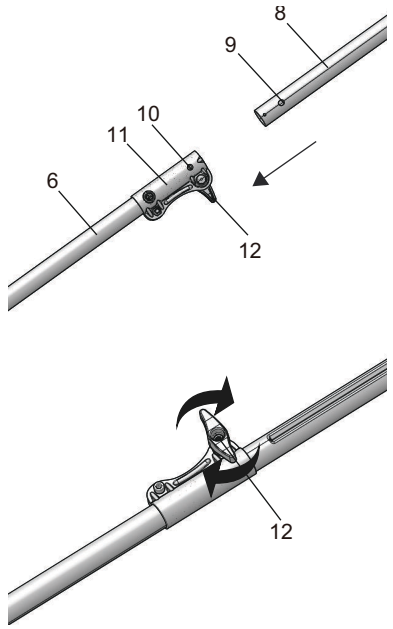
Make sure that you correctly assemble the machine before use.

▲ WARNING

- If the parts are damaged, do not use the machine.
- If you do not have all the parts, do not operate the machine.
- If the parts are damaged or missing, speak to the service center.

1. Open the package.
2. Read the documentation in the box.
3. Remove all the unassembled parts from the box.
4. Remove the machine from the box.
5. Discard the box and package in compliance with local regulations.

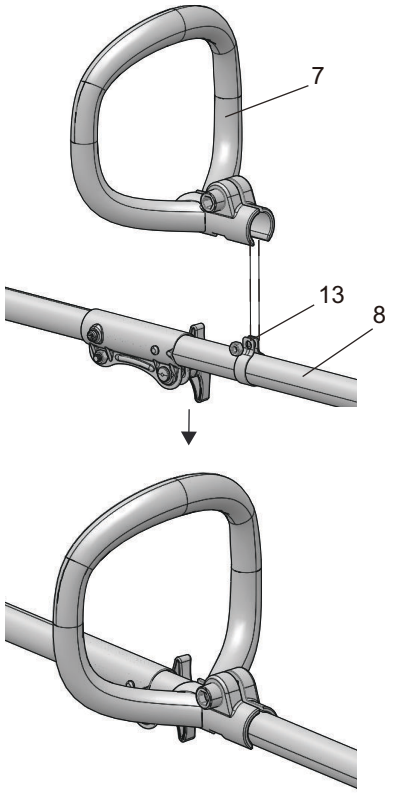
9.2 ATTACH THE SHAFT

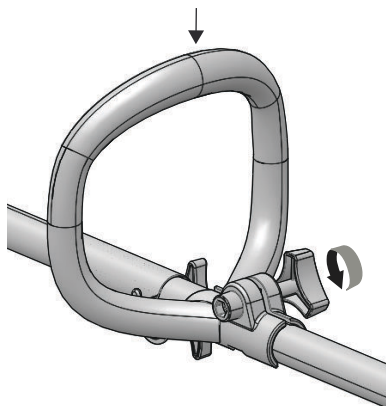
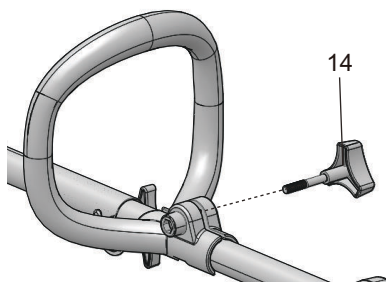


i NOTE
If the button does not release fully in the location hole, the shafts are not locked into position. Turn from side to side until the button is locked into position.

1. Loosen the lock knob (12) on the coupler (11).
2. Align the release button (9) with the location hole (10) and move the two shafts together.
3. Turn the upper shaft (8) until the release button (9) locks into the location hole (10).
4. Tighten the lock knob (12).

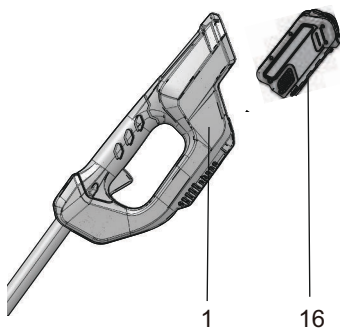
9.3 ATTACH THE AUXILIARY HANDLE





1. Push the auxiliary handle (7) onto the upper shaft (8).
2. Move the auxiliary handle (7) above the metal ring (13) and make sure that the metal ring (13) fits between the slot on the auxiliary handle (7).
3. Align the holes on the auxiliary handle (7) and the metal ring (13).
4. Put the handle knob (14) through the holes and tighten it.

9.4 INSTALL THE BATTERY PACK



▲ WARNING

- If the battery pack or charger is damaged, replace the battery pack or the charger.
- Stop the machine and wait until the engine stops before you install or remove the battery pack.
- Read, know, and do the instructions in the battery and charger manual.

1. Align the lift ribs on the battery pack (16) with the grooves in the battery compartment (1).
2. Push the battery pack into the battery compartment (1) until the battery pack (16) locks into place.
3. When you hear a click, the battery pack is installed.

9.5 REMOVE THE BATTERY PACK

1. Push and hold the battery release button.
2. Remove the battery pack (16) from the machine.

10 OPERATION

▲ WARNING

Wear eye protection during operation.

10.1 COLD WEATHER OPERATION

The safe battery operation temperature ranges from 1°F (-17°C) to 113°F (45°C).

▲ WARNING

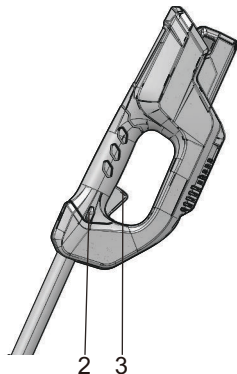
Do not store or charge battery outside.

Battery must be charged and stored indoors prior to use of the machine.

If the machine does not start below 1°F (-17°C),

- remove the battery pack from the machine,
- charge the battery pack for 10 minutes in warm area, or when the charging light turns green.
- Install the battery pack again.

10.2 START THE MACHINE



1. Push and hold the lock-out button (2).
2. Pull the trigger (3) to start the machine.
3. Release the lock-out button (2).

▲ WARNING

Examine the work area. Remove all stones, sticks, wire, bones, and other debris that can ricochet because of the rotating impeller.

i NOTE

If it is possible, clear the snow in the direction of the wind.

10.3 STOP THE MACHINE

1. Release the trigger (3) to stop the machine.

10.4 OPERATE THE MACHINE



1. Start the machine.
2. Push the machine forward until it rides on the scraper (14).

i NOTE

The forward speed is dependent on the depth and weight of the snow.

11 MAINTENANCE

▲ WARNING

Remove the battery pack from the machine before maintenance.

▲ WARNING

Wear correct clothing, gloves and safety glasses before maintenance.

▲ CAUTION

Use only approved replacement parts.

▲ CAUTION

Do not let brake fluids, gasoline, petroleum-based materials touch the plastic parts. Chemicals can cause damage to the plastic, and make the plastic unserviceable.

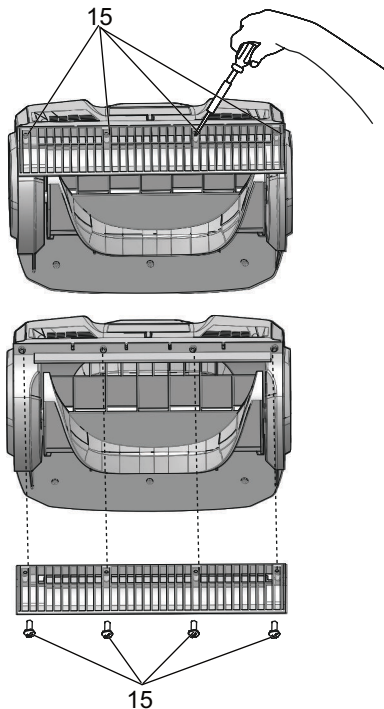
▲ CAUTION

Do not use strong solvents or detergents on the plastic housing or components.

11.1 GENERAL MAINTENANCE

- Before each use, examine the machine for damaged, missing, or loose parts such as screws, nuts, bolts and caps.
- Tighten correctly all the fasteners and caps.
- Clean the remaining snow on the machine with a brush.

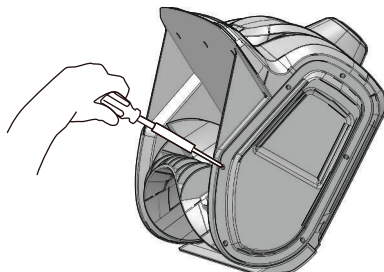
11.2 REPLACE THE SCRAPER



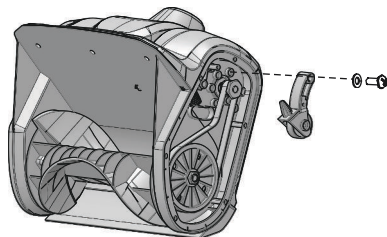
1. Put the machine on a flat, level surface.
2. Face up the impeller (4).
3. Remove the 4 screws below the impeller (4) that attach the scraper (5) to machine.
4. Remove the worn scraper (5).
5. Install the new scraper (5).
6. Install and tighten the screws (15) that you removed.

11.3 REPLACE THE IMPELLER

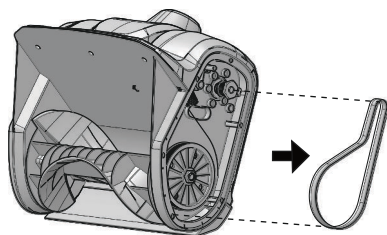
1. Remove 6 screws on the right side cover.



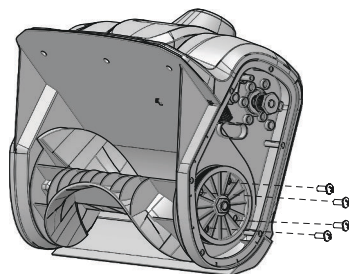
2. Pull the belt tensioner away from the engine pulley. Make sure that the washer, spring and screw are not missing.



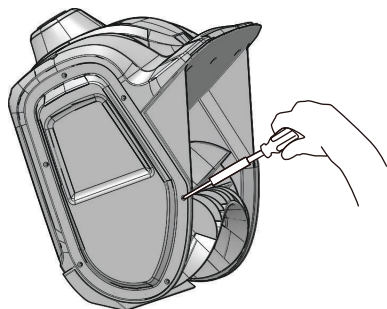
3. Remove the belt.



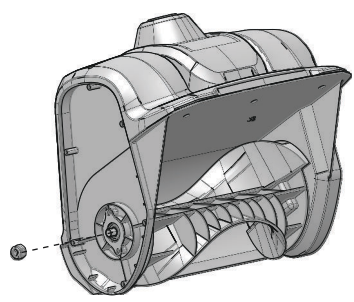
4. Remove the 4 screws.



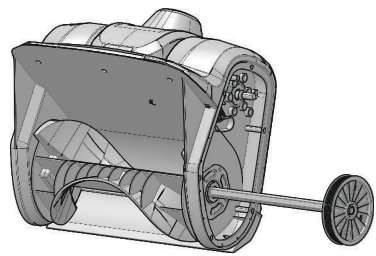
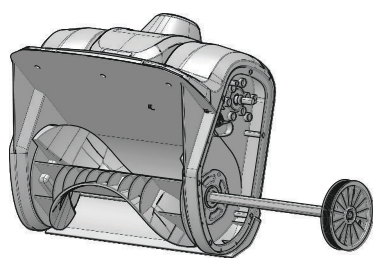
5. Remove the 6 screws on the left side cover.



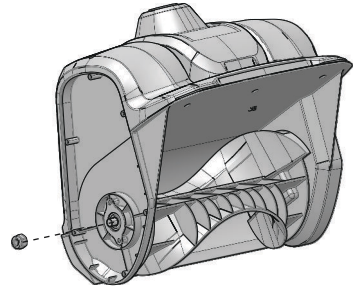
6. Remove the nut on the left side plate.



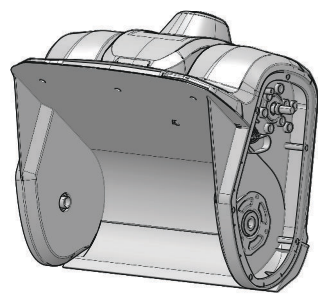
7. Remove the impeller shaft with pulley assembly attached.



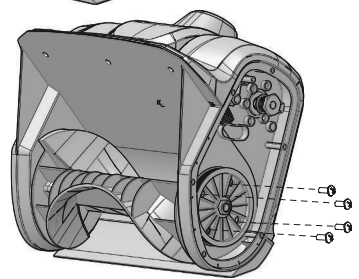
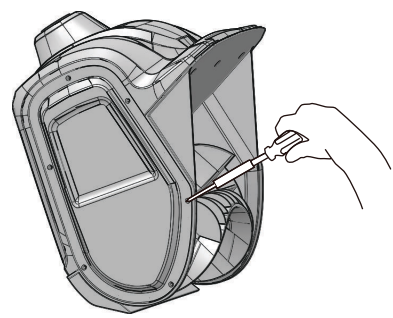
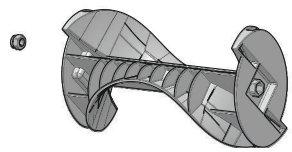
8. Remove the damaged impeller (13). Make sure that the shaft sleeve on the left side of the shaft is not missing.



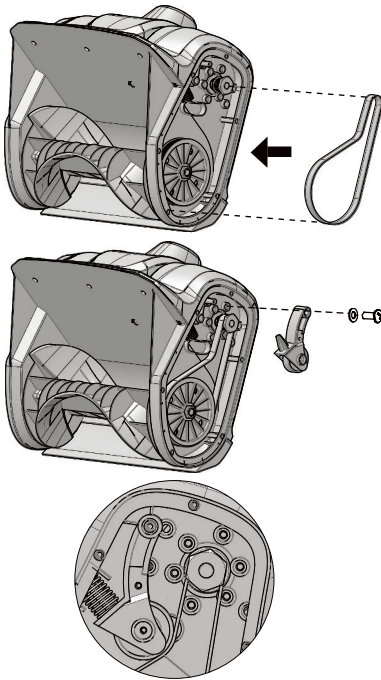
10. Replace and tighten the remaining nut on the left side plate assembly, screws on the left side cover and screws on the pulley assembly.



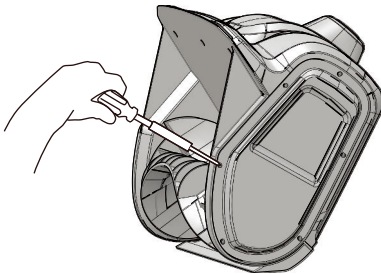
9. Install the impeller shaft with pulley assembly attached in the new impeller. Make sure that you replace the retained shaft sleeve on the left side of the shaft.



11. Put the belt and the belt tensioner into position.



12. Replace and tighten the remaining screws on the right side cover.



12 TRANSPORTATION AND STORAGE

- Clean the machine before storage.
- Make sure the engine is not hot when you stow the machine.
- Make sure that the machine does not have loose or damaged parts. If it is necessary, do these steps/ instructions:
 - Replace the damaged parts.
 - Tighten the bolts.
 - Speak to a person of an approved service center.
- Stow the machine in a locked, dry area.

- Make sure that children cannot come near the machine.
- When you move the machine, hold it by the top handle and auxiliary handle.

13 TROUBLESHOOTING

Problem	Possible cause	Solution
The handle is not in position.	The bolts are not engaged correctly.	Adjust the height of the handle and make sure that the knobs and bolts are aligned correctly.
The machine does not start.	The battery is not charged.	Charge the battery by following the procedures in the battery and charger manual.
	The switch is defective.	Have the switch replaced by an authorized service center.
	Battery is too cold.	Remove battery from snow thrower. Place battery on charger and allow to charge for 10 minutes or until the changing light turns green. Remove from charger and install in snow thrower for use.
	Battery may require service or replacement.	Call toll free helpline, at 1-888-909-6757 or replace battery.
The engine is on, but the impeller does not turn.	The belt is damaged.	Replace the belt.
A thin layer of snow stays behind.	The scraper is damaged.	Replace the scraper.

* If you cannot find the solution to these problems, call 1-888-909-6757.

14 TECHNICAL DATA

Voltage	40 V
No load speed	1800 RPM
Clearing width	12 in (30.5 cm)
Clearing depth	6 in (15.2 cm)
Impeller size	11 in (27.9 cm)

Weight (without battery pack)	15.4 lbs (7 kg)
Battery	29662 and other BAF series
Charger	29692 and other CAF series

P.O. Box 1238
 Mooresville, NC 28115

P.O. Box 93095, Newmarket,
 Ontario
 L3Y 8K3

15 LIMITED WARRANTY



Greenworks hereby warranties this product, to the original purchaser with proof of purchase, for a period of three (3) years against defects in materials, parts or workmanship. Greenworks, at its own discretion, will repair or replace any and all parts found to be defective, through normal use, free of charge to the customer. This warranty is valid only for units which have been used for personal use that have not been purchased or rented for industrial/commercial use, and that have been maintained in accordance with the instructions in the owners’ manual supplied with the product when new.

ITEMS NOT COVERED BY WARRANTY:

1. Any part that has become inoperative due to misuse, commercial use, abuse, neglect, accident, improper maintenance, or alteration; or
2. The unit, if it has not been operated and/or maintained in accordance with the owner's manual; or
3. Normal wear;
4. Routine maintenance items such as lubricants, blade sharpening;
5. Normal deterioration of the exterior finish due to use or exposure.

HELPLINE:

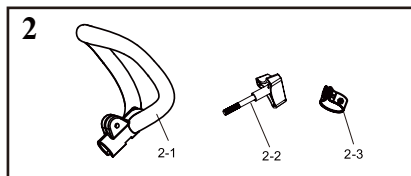
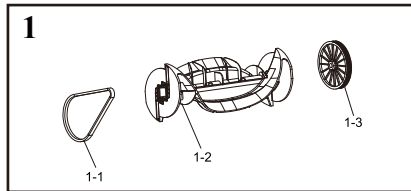
Warranty service is available by calling our toll-free helpline at 1-888-909-6757.

TRANSPORTATION CHARGES:

Transportation charges for the movement of any power equipment unit or attachment are the responsibility of the purchaser. It is the purchaser’s responsibility to pay transportation charges for any part submitted for replacement under this warranty unless such return is requested in writing by Greenworks.

USA address: Greenworks Tools
Canadian address: Greenworks Tools Canada, Inc.

16 EXPLODED VIEW



No.	Part No.	Qty	Description
1	R0200289-00	1	Impeller assembly
1-1	R0201587-00	1	Belt
1-2	R0202976-00	1	Impeller
1-3	R0201930-00	1	wheel
2	R0202973-00	1	Auxiliary handle assembly
2-1	R0203074-00	1	Auxiliary handle
2-2	R0203072-00	1	Auxiliary handle knob
2-3	R0202533-00	1	Metal ring

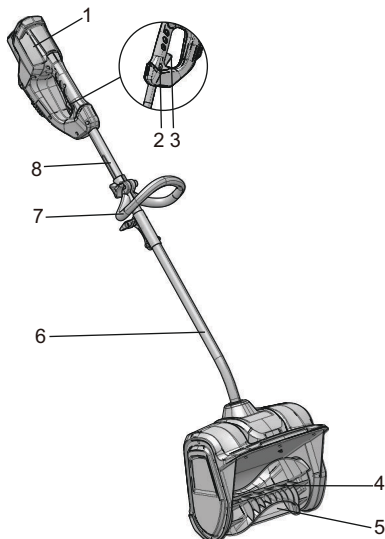
1	Description.....	17		9.3 Attachez la poignée auxiliaire.....	22
1.1	But.....	17	9.4	Installez le bloc-batterie.....	23
1.2	Aperçu.....	17	9.5	Retirez le bloc-batterie.....	23
2	Avertissements généraux de sécurité de l'appareil.....	17	10	Utilisation.....	23
3	La plage de température ambiante recommandée :.....	19	10.1	Utilisation par temps froid.....	23
4	Symboles figurant sur la machine.....	19	10.2	Démarrez la machine.....	23
5	Niveaux de risques.....	19	10.3	Arrêtez la machine.....	23
6	Service.....	20	10.4	Faites fonctionner l'appareil.....	24
7	Élimination des batteries sans danger pour l'environnement.....	20	11	Entretien.....	24
8	Proposition 65.....	20	11.1	Entretien général.....	24
9	Installation.....	21	11.2	Remplacez le grattoir.....	24
9.1	Déballer la machine.....	21	11.3	Remplacez la turbine.....	24
9.2	Fixez l'arbre.....	21	12	Transport et entreposage.....	27
			13	Dépannage.....	27
			14	Données techniques.....	27
			15	Garantie limitée.....	28
			16	Vue éclatée.....	29

1 DESCRIPTION

1.1 BUT

Cette machine est utilisée pour enlever et déblayer la neige des trottoirs, jardins, allées et autres surfaces au niveau du sol.

1.2 APERÇU



- 1 Compartiment de batterie
- 2 Bouton de verrouillage
- 3 Gâchette
- 4 Turbine
- 5 Grattoir
- 6 Arbre inférieur
- 7 Poignée auxiliaire
- 8 Arbre supérieur

2 AVERTISSEMENTS GÉNÉRAUX DE SÉCURITÉ DE L'APPAREIL

▲ AVERTISSEMENT

Lisez tous les avertissements de sécurité et toutes les instructions. Le non-respect de ces avertissements et de ces instructions peut entraîner un choc électrique, un incendie et/ou des blessures graves.

Conservez tous les avertissements et instructions pour référence ultérieure.

Le terme « appareil » dans les avertissements fait référence à votre pelle à neige à piles (sans fil).

- Ne laissez pas un enfant de moins de 14 ans utiliser cet outil. Les enfants de 14 ans ou plus doivent lire et comprendre les instructions d'utilisation et les règles de sécurité contenues dans ce manuel et doivent être formés et supervisés par un parent.
- Lisez attentivement le mode d'emploi et le manuel d'utilisation. Familiarisez-vous totalement avec les commandes et l'utilisation correcte de l'appareil. Apprenez comment arrêter l'appareil et désengager rapidement les commandes.
- Ne laissez jamais des enfants utiliser l'appareil. Ne laissez jamais des adultes qui n'ont pas reçu une instruction appropriée utiliser l'appareil.
- Gardez la zone d'opération à l'écart de toute personne, en particulier les jeunes enfants et les animaux domestiques.
- Faites preuve de prudence pour éviter le glissement ou la chute, surtout en opération en marche arrière.
- N'utilisez pas sur des surfaces caillouteuses.
- Habillez-vous correctement – Ne portez pas de vêtements amples ou de bijoux. Ils pourraient se coincer dans les pièces en mouvement.
- Portez des bottes adéquates lorsque vous utilisez l'appareil.
- L'utilisation de l'appareil soutenue dans la main est dangereuse, sauf en conformité avec les instructions spéciales pour cette utilisation fournies dans le manuel d'utilisation.
- Inspectez soigneusement la zone où l'appareil doit être utilisé et enlevez tous les paillasons, traîneaux, planches, fils et autres corps étrangers.
- N'utilisez pas l'appareil sans porter de vêtements d'hiver adéquats. Portez des chaussures qui amélioreront la stabilité sur les surfaces glissantes.
- Ajustez la hauteur du carter pour dégager le gravier ou la surface rocheuse écrasée.
- Ne tentez jamais d'effectuer des ajustements pendant que l'appareil est en marche (sauf si le fabricant le recommande).
- Portez toujours des lunettes de sécurité ou des protections oculaires pendant le fonctionnement ou tout en effectuant un réglage ou une réparation pour protéger les yeux des corps étrangers qui peuvent être jetés de l'appareil.
- Évitez tout démarrage accidentel. Assurez-vous que l'interrupteur est en position d'arrêt avant de brancher la batterie, de soulever ou de transporter l'appareil. Le fait de porter l'appareil avec un doigt sur l'interrupteur ou d'alimenter l'appareil dont l'interrupteur est en marche risque de provoquer des accidents.
- Retirez la batterie de l'outil électrique avant d'effectuer des réglages, de changer des accessoires ou de ranger la machine. De telles mesures de sécurité préventives réduisent le risque d'un démarrage accidentel de la machine.
- Lorsque le bloc-batterie n'est pas utilisé, éloignez-le des autres objets métalliques, comme des attaches trombones,

- des pièces de monnaie, des clés, des clous, des vis ou autres petits objets métalliques qui peuvent établir une connexion d'une borne à une autre. Le court-circuitage des bornes de la batterie peut provoquer des brûlures ou un incendie.
- Dans des conditions abusives, du liquide peut être éjecté de la batterie; évitez tout contact. En cas de contact accidentel, rincez avec de l'eau. En cas de contact avec les yeux, consultez également un médecin. Le liquide s'échappant des batteries peut causer des irritations ou des brûlures.
 - Ne mettez pas les mains ou les pieds près ou sous des pièces rotatives. En tout temps, se tenir à l'écart de l'ouverture de déchargement.
 - Faites preuve d'extrême prudence lors de l'utilisation sur ou en traversant des voies en gravier, des chemins ou des routes. Restez vigilant pour les dangers cachés ou la circulation.
 - Après avoir heurté un objet étranger, éteignez la machine et retirez la batterie, puis inspectez-la pour identifier les dommages. Réparez toutes les pièces endommagées avant de redémarrer et d'utiliser l'outil électrique.
 - Si l'appareil devait commencer à vibrer anormalement, arrêtez la machine et vérifiez immédiatement la cause. En général, les vibrations sont un signe de défaillance.
 - Arrêtez la machine chaque fois que vous quittez la position de fonctionnement, avant de nettoyer la souffleuse, la turbine ou la goulotte d'éjection, et en effectuant des réparations, des ajustements ou des inspections.
 - Lors du nettoyage, de la réparation ou de l'inspection, assurez-vous que la turbine et toutes les pièces mobiles sont arrêtées.
 - Faites preuve d'extrême prudence lorsque vous déneigez des pentes.
 - Ne jamais utiliser l'appareil sans les protections adéquates, gardez les autres dispositifs de protection de sécurité en place et en fonction.
 - Ne dirigez jamais la décharge vers des personnes ou des zones où des dommages matériels peuvent survenir. Éloignez les enfants et les autres.
 - Ne vous penchez pas trop, gardez un bon équilibre en tout temps.
 - Ne surchargez pas la capacité de la machine en essayant de déneiger à un rythme trop rapide.
 - Ne forcez pas l'appareil - il fera mieux le travail et sera plus sécuritaire au rythme pour lequel il a été conçu.
 - N'utilisez pas l'appareil à des vitesses élevées de déplacement sur des surfaces glissantes. Prenez soin en marche arrière.
 - Ne dirigez jamais la décharge sur des passants ou n'autorisez personne devant l'appareil.
 - Débranchez l'alimentation de la turbine lorsque l'appareil est transporté ou non utilisé.
 - N'utilisez que des pièces jointes et des accessoires approuvés par le fabricant de l'appareil (comme les poids des roues, les contrepoids ou les cabines).
 - N'utilisez jamais l'appareil sans bonne visibilité ni lumière. Soyez toujours sûr de votre prise de pied, et maintenez une prise ferme sur les poignées.
 - Travaillez en marchant, jamais en courant.
 - Nettoyage d'une goulotte d'éjection obstruée.
 - Cette machine n'est pas conçue pour être utilisée par des personnes (y compris les enfants) dont les capacités physiques, sensorielles ou mentales sont réduites, ou des personnes dénuées d'expérience ou de connaissance, sauf si elles ont pu bénéficier, par l'intermédiaire d'une personne responsable de leur sécurité, d'une surveillance ou d'instructions préalables concernant l'utilisation de la machine. Il convient de surveiller les enfants pour s'assurer qu'ils ne jouent pas avec la machine.
 - Le contact de la main avec la turbine rotative à l'intérieur de la goulotte d'éjection est la cause la plus fréquente de blessures associées à l'appareil. N'utilisez jamais votre main pour nettoyer la goulotte d'éjection. Pour dégager la goulotte :
 1. METTEZ L'APPAREIL (LE MOTEUR) À OFF !
 2. Attendez 10 secondes pour être sûr que la turbine a cessé de tourner.
 3. Utilisez toujours une brosse, pas vos mains.
 - Si l'appareil frappe un corps étranger, procédez comme suit :
 1. Arrêtez l'appareil. Relâchez l'interrupteur.
 2. Retirez le bloc-batterie.
 3. Vérifiez qu'elle n'est pas endommagée.
 4. Réparer tout dommage avant de redémarrer et d'utiliser l'appareil.
 - Vérifier les boulons de cisaillement ; les boulons montés sur le moteur, etc., à intervalles réguliers pour une bonne étanchéité et s'assurer que l'appareil est en bon état de fonctionnement.
 - Référez-vous toujours aux instructions du Guide du propriétaire pour des détails importants si l'appareil doit être stockée pendant une période prolongée.
 - Entreposez l'appareil à l'intérieur – lorsqu'il n'est pas utilisé, l'appareil doit être entreposé à l'intérieur dans un endroit sec et verrouillé – hors de portée des enfants.
 - Vérifiez tous les écrous de cisaillement, les boulons et vis à intervalles fréquents pour vous assurer que l'équipement est bien serré et en bon état de fonctionnement.
 - Faites marcher l'appareil quelques minutes après avoir jeté de la neige pour empêcher le gel de la turbine.
 - N'utilisez pas une batterie ou un appareil endommagé ou modifié. Les bloc-batteries endommagés ou modifiés peuvent présenter un fonctionnement imprévisible et provoquer un incendie, une explosion ou un risque de blessure.
 - N'exposez pas une batterie ou un appareil au feu ou à une température excessive. L'exposition au feu ou une température supérieure à 130°C (265°F) peut provoquer une explosion.
 - Suivez toutes les instructions de recharge et ne rechargez pas le bloc-batterie ou l'appareil en dehors de la plage de

température spécifiée dans ces instructions. Un rechargement incorrect ou à des températures en dehors de la plage spécifiée peut endommager la batterie et augmenter le risque d'incendie.


- Rechargez uniquement avec le chargeur spécifié par le fabricant. Un chargeur adapté à un type de batterie peut créer un risque d'incendie lorsqu'il est utilisé avec une autre batterie.
- Utilisez les appareils uniquement avec des batteries spécialement conçues à cet effet. L'utilisation de toutes autres batteries peut créer un risque de blessure et d'incendie.
- Faites effectuer l'entretien par un réparateur qualifié en n'utilisant que des pièces de rechange identiques. Cela garantira le maintien de la sécurité du produit.
- Ne modifiez pas ou n'essayez pas de réparer l'appareil ou le bloc-batterie (selon le cas) sauf en conformité avec les instructions d'utilisation et d'entretien indiquées dans ce manuel.
- Entretenez l'appareil avec soin. Suivez les instructions pour changer les accessoires.
- Maintenez ou remplacez les décalques de sécurité et d'instructions au besoin.










3 LA PLAGE DE TEMPÉRATURE AMBIANTE RECOMMANDÉE :

Article	Température
Plage de température d'entreposage de la souffleuse à neige	1,4 °F (-17 °C) ~ 113 °F (45 °C)
Plage de température de fonctionnement de la pelle à neige	1,4 °F (-17 °C) ~ 113 °F (45 °C)
Plage de température de rechargement de la batterie	39 °F (4 °C) ~ 104 °F (40 °C)
Plage de température de fonctionnement du chargeur	39 °F (4 °C) ~ 104 °F (40 °C)
Plage de température de déchargement de la batterie	1,4 °F (-17 °C) ~ 113 °F (45 °C)
Plage de température d'entreposage de la batterie	32 °F (0 °C) ~ 113 °F (45 °C)

4 SYMBOLES FIGURANT SUR LA MACHINE



Certains des symboles suivants peuvent être utilisés sur cet outil. Veuillez les étudier et apprendre leur signification. Une bonne interprétation de ces symboles vous permettra de mieux utiliser l'outil et de manière plus sécuritaire.


Symbole	Explication
	Courant direct

Symbole	Explication
	Précautions destinées à assurer la sécurité.
	Lisez et comprenez toutes les instructions avant d'utiliser cette machine, et suivez tous les avertissements et les consignes de sécurité.
	Portez des lunettes enveloppantes.
	Les objets projetés peuvent ricocher et causer des blessures corporelles ou des dommages matériels. Portez des vêtements et des bottes de protection.
	Tenez les personnes présentes à une distance de sécurité de la machine.
	Éloignez vos mains de la zone de décharge.
	Éloignez-vous des pièces mobiles. Gardez toutes les protections et boucliers en place.
	Tenez les pieds hors de la turbine. Éloignez les pieds de la turbine rotative.
	Arrêtez le moteur et retirez le bloc-batterie avant de laisser la machine.

5 NIVEAUX DE RISQUES

Les termes de mise en garde suivants et leur signification ont pour but d'expliquer les niveaux de risques associés à l'utilisation de ce produit.

SYMBOLE	SIGNAL	SIGNIFICATION
	DANGER	Indique une situation dangereuse imminente qui, si elle n'est pas évitée, peut entraîner la mort ou des blessures graves.
	AVERTISSEMENT	Indique une situation potentiellement dangereuse qui, si elle n'est pas évitée, peut entraîner la mort ou des blessures graves.

SYM-BOLE	SIGNAL	SIGNIFICATION
	MISE EN GARDE	Indique une situation potentiellement dangereuse qui, si elle n'est pas évitée, pourrait causer des blessures mineures ou modérées.
	MISE EN GARDE	(Sans symbole d'alerte de sécurité) indique une situation pouvant entraîner des dommages matériels.

6 SERVICE

L'entretien nécessite un soin extrême et une connaissance approfondie du système, et ne doit être effectué que par un technicien qualifié. Pour l'entretien, nous vous suggérons de retourner la machine à votre CENTRE DE SERVICE AUTORISÉ le plus proche pour réparation. Utilisez uniquement des pièces de rechange et des accessoires identiques du fabricant.

7 ÉLIMINATION DES BATTERIES SANS DANGER POUR L'ENVIRONNEMENT



Les matières toxiques et corrosives ci-dessous se trouvent dans les batteries utilisées dans cette machine : **Lithium-ion, une substance toxique.**

▲ AVERTISSEMENT

Éliminez toutes les substances toxiques d'une manière spécifiée afin de prévenir la contamination de l'environnement. Avant de jeter une batterie au lithium-ion endommagée ou usée, contactez votre agence locale d'élimination des déchets ou l'agence locale de protection de l'environnement pour obtenir des informations et des instructions spécifiques. Apportez les batteries à un centre local de recyclage ou d'élimination certifié pour l'élimination de batteries au lithium-ion.

▲ AVERTISSEMENT

Si la batterie se fend ou se brise, avec ou sans fuites, ne la rechargez pas et ne l'utilisez pas. Jetez-la et remplacez-la par une nouvelle batterie. **N'ESSAYEZ PAS DE LA RÉPARER !** Pour prévenir les blessures et les risques d'incendie, d'explosion ou de décharge électrique, et pour éviter tout dommage à l'environnement :

- Couvrez les bornes de la batterie avec du ruban adhésif résistant.
- NE PAS essayer d'enlever ou de détruire les composants de la batterie.
- NE PAS essayer d'ouvrir ou de réparer la batterie.
- En cas de fuite, les électrolytes rejetés sont corrosifs et toxiques. NE laissez PAS entrer la solution dans les yeux ou en contact avec la peau et ne l'avalez pas.
- NE PAS jeter vos batteries usagées dans votre poubelle à ordures ménagères.
- N'incinerez PAS les batteries.
- NE LES Mettez PAS dans un endroit où ils feront partie d'un site d'enfouissement de déchets ou d'un flux de déchets solides municipaux.
- Emmenez-les dans un centre de recyclage ou d'élimination certifié.

8 PROPOSITION 65

▲ AVERTISSEMENT

Ce produit contient un produit chimique connu dans l'état de Californie comme étant une cause de cancer, de malformations congénitales ou d'autres problèmes de reproduction. Certaines poussières produites par le ponçage mécanique, le sciage, le meulage, le perçage et d'autres activités de construction contiennent des produits chimiques connus pour causer le cancer, des malformations congénitales ou d'autres problèmes de reproduction. Voici quelques exemples de ces produits chimiques :

- Plomb provenant de peintures à base de plomb;
- Silice cristalline provenant de briques, de ciment et d'autres produits de maçonnerie;
- Arsenic et chrome provenant de bois traité chimiquement.

Votre risque d'exposition à ces produits chimiques varie selon la fréquence à laquelle vous faites ce type de travail. Pour réduire votre exposition à ces produits chimiques, travaillez dans un endroit bien ventilé et utilisez un équipement de sécurité approuvé, comme des masques anti-poussière spécialement conçus pour filtrer les particules microscopiques.

Conservez ces instructions.

9 INSTALLATION

▲ AVERTISSEMENT

Ne changez pas ou ne fabriquez pas des accessoires qui ne sont pas recommandés par le fabricant.

▲ AVERTISSEMENT

N'installez pas le bloc-batterie tant que vous n'avez pas assemblé toutes les pièces.

9.1 DÉBALLER LA MACHINE

▲ AVERTISSEMENT

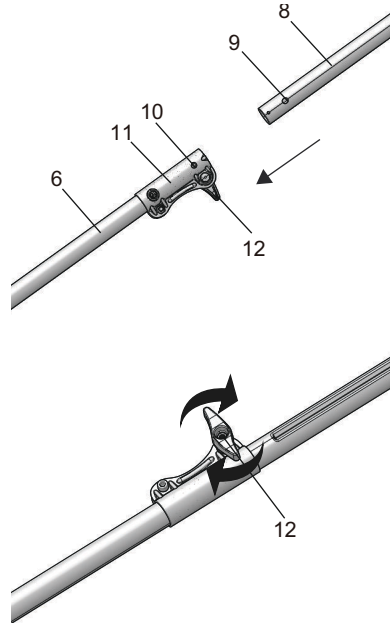
Assurez-vous d'assembler correctement la machine avant de l'utiliser.

▲ AVERTISSEMENT

- Si les pièces sont endommagées, n'utilisez pas la machine.
- Si vous n'avez pas toutes les pièces, n'utilisez pas la machine.
- Si les pièces sont endommagées ou manquantes, communiquez avec le centre de service.

1. Ouvrez l'emballage.
2. Lisez la documentation contenue dans la boîte.
3. Retirez toutes les pièces non assemblées de la boîte.
4. Retirez la machine de sa boîte.
5. Jetez la boîte et l'emballage en respectant les règlements locaux.

9.2 FIXEZ L'ARBRE



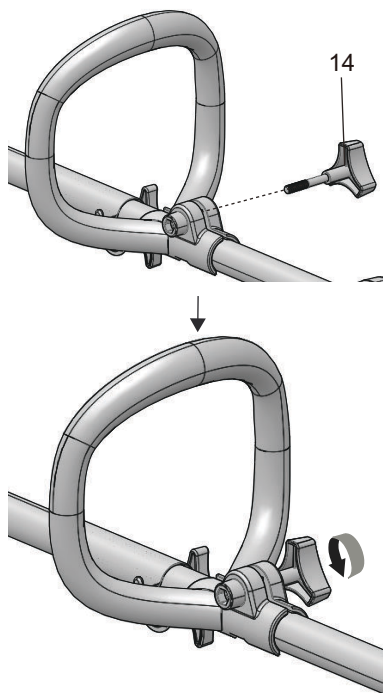
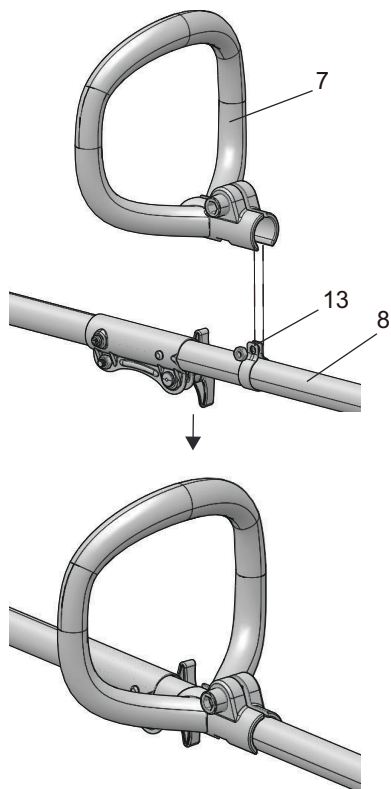
i REMARQUE

Si le bouton ne se relâche pas complètement dans le trou de positionnement, cela signifie que les arbres ne sont pas verrouillés en place. Tournez d'un côté à l'autre jusqu'à ce que le bouton soit verrouillé.

1. Desserrez le bouton de verrouillage (12) sur le coupleur (11).
2. Alignez le bouton de déclenchement (9) avec le trou de positionnement (10) et déplacez les deux arbres.
3. Tournez l'arbre inférieur (8) jusqu'à ce que le bouton de déclenchement (9) s'enclenche dans le trou de positionnement (10).
4. Serrez le boulon de verrouillage (12).

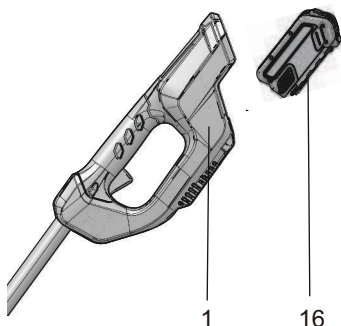
9.3 ATTACHEZ LA POIGNÉE AUXILIAIRE

FR



1. Enfoncez la poignée auxiliaire (7) sur l'arbre supérieur (8).
2. Déplacez la poignée auxiliaire (7) sur l'anneau métallique (13) et assurez-vous que l'anneau métallique (13) s'installe correctement dans la fente de la poignée auxiliaire (7).
3. Alignez les trous sur la poignée supérieure (7) et l'anneau métallique (13).
4. Insérez le bouton de la poignée (14) dans le trou et serrez-le.

9.4 INSTALLEZ LE BLOC-BATTERIE



▲ AVERTISSEMENT

- Si le bloc-batterie ou le chargeur est endommagé, remplacez-le, au besoin.
- Arrêtez la machine et attendez que le moteur s'arrête avant d'installer ou de retirer le bloc-batterie.
- Lisez, comprenez et suivez les instructions du manuel du bloc-batterie et du chargeur.

1. Alignez les languettes du bloc-batterie (16) avec les rainures du compartiment de batterie (1).
2. Poussez le bloc-batterie (16) dans le compartiment de batterie (1) jusqu'à ce qu'il soit bien encliqueté.
3. Vous devriez entendre un clic lorsque le bloc-batterie sera inséré correctement.

9.5 RETIREZ LE BLOC-BATTERIE

1. Poussez et maintenez enfoncé le bouton de déblocage de la batterie.
2. Retirez le bloc-batterie (16) de la machine.

10 UTILISATION

▲ AVERTISSEMENT

Portez des lunettes de protection pendant l'utilisation.

10.1 UTILISATION PAR TEMPS FROID

La température de fonctionnement sécuritaire de la batterie varie de 1 °F (-17°C) à 113°F (45°C).

▲ AVERTISSEMENT

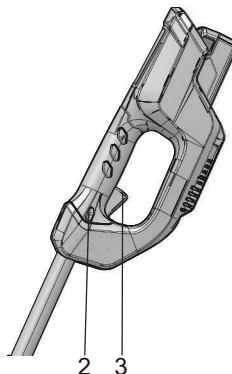
Ne rangez pas ou ne chargez pas la batterie à l'extérieur.

La batterie doit être chargée et entreposée à l'intérieur avant l'utilisation de la machine.

Si la machine ne démarre pas en dessous de 1°F (-17°C),

- retirez la batterie de la machine,
- chargez la batterie pendant 10 minutes dans un endroit au chaud, ou lorsque le voyant de recharge devient vert.
- Réinstallez la batterie.

10.2 DÉMARREZ LA MACHINE



1. Appuyez sur le bouton de verrouillage (2) et maintenez-le enfoncé.
2. Appuyez sur la gâchette (3) pour démarrer la machine.
3. Relâchez le bouton de verrouillage (2).

▲ AVERTISSEMENT

Inspectez la zone de travail. Enlevez tous les cailloux, les bâtons, les fils, les os et autres débris qui peuvent ricocher à cause de la turbine rotative.

i REMARQUE

Si c'est possible, déneigez la neige avec la direction du vent.

10.3 ARRÊTEZ LA MACHINE

1. Lâchez la gâchette (3) pour arrêter la machine.

10.4 FAITES FONCTIONNER L'APPAREIL



1. Démarrez la machine.
2. Poussez la machine vers l'avant jusqu'à ce qu'elle repose sur le grattoir (14).

i REMARQUE

La vitesse d'avancement dépend de l'épaisseur et du poids de la neige.

11 ENTRETIEN

▲ AVERTISSEMENT

Retirez la batterie de la machine avant l'entretien.

▲ AVERTISSEMENT

Portez des vêtements appropriés, des gants et des lunettes de sécurité avant de procéder à l'entretien.

▲ ATTENTION

Utilisez seulement les pièces de rechange approuvées.

▲ ATTENTION

Évitez que les liquides de freins, l'essence et les matériaux à base de pétrole ne viennent en contact avec les pièces en plastique. Les produits chimiques peuvent endommager le plastique et le rendre inutilisable.

▲ ATTENTION

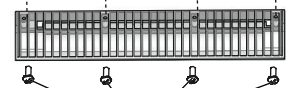
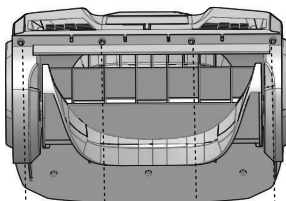
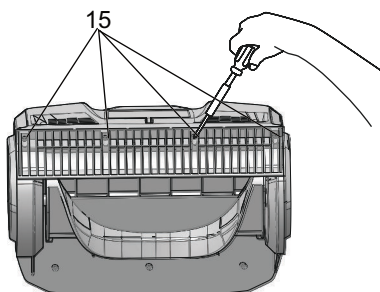
N'utilisez pas de solvants ou de détergents puissants sur le boîtier ou les composants en plastique.

11.1 ENTRETIEN GÉNÉRAL

- Avant chaque utilisation, vérifiez que la machine ne contient pas de pièces endommagées, manquantes ou desserrées, telles que vis, écrous, boulons et capuchons.

- Serrez correctement toutes les fixations et les capuchons.
- Nettoyez la neige qui reste sur la machine à l'aide d'une brosse.

11.2 REMPLACEZ LE GRATTOIR

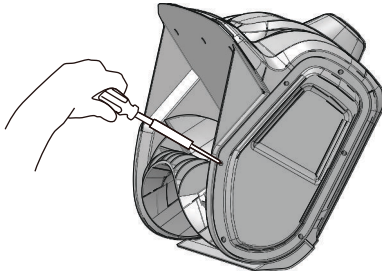


15

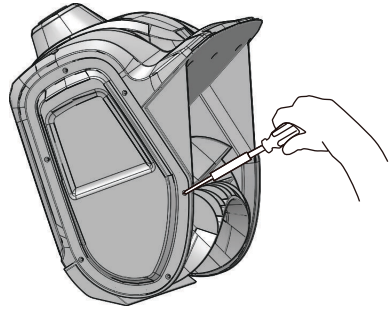
1. Placez la machine sur une surface plane.
2. Placez la turbine (4) vers le haut.
3. Retirez les 4 vis sous la turbine (4) qui fixent le grattoir (5) à la machine.
4. Retirez le grattoir (5) usé.
5. Installez le nouveau grattoir (5).
6. Installez et serrez les vis (15) que vous avez retirés.

11.3 REMPLACEZ LA TURBINE

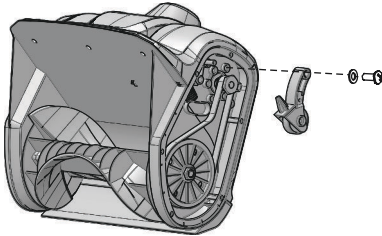
1. Retirez les 6 vis du couvercle latéral droit.



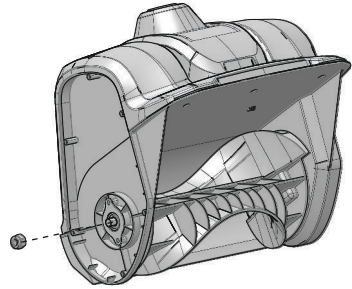
2. Tirez le tendeur de courroie loin de la poulie motrice. Assurez-vous que la rondelle, le ressort et la vis sont bien présents.



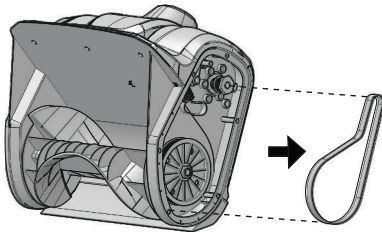
6. Retirez l'écrou de la plaque latérale gauche.



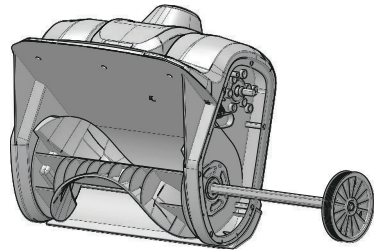
3. Retirez la courroie.



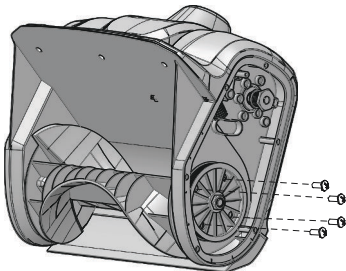
7. Enlevez l'arbre de la turbine avec l'ensemble de poulie attaché.



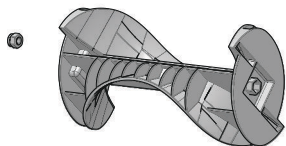
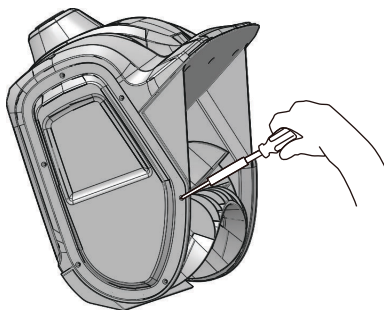
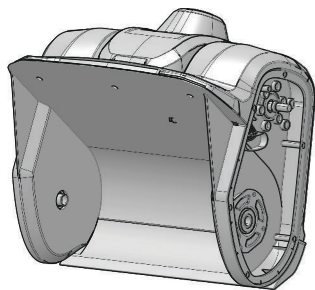
4. Retirez les 4 vis.



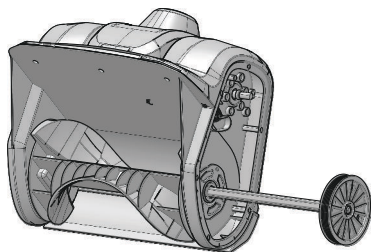
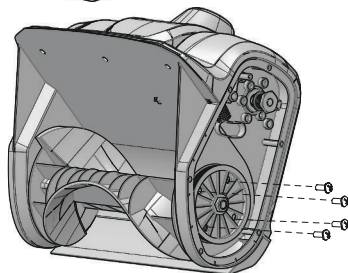
8. Retirez la turbine (13) endommagée. Assurez-vous que le manchon de l'arbre du côté gauche de l'arbre est bien présent.



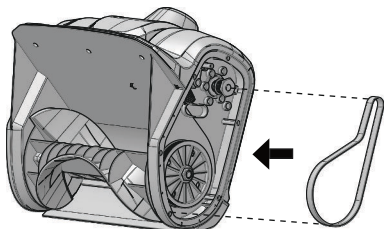
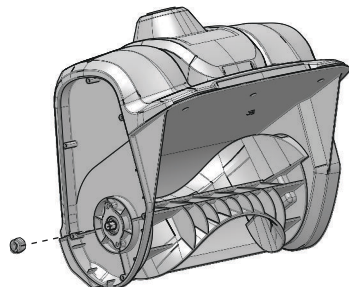
5. Retirez les 6 vis du couvercle latéral gauche.



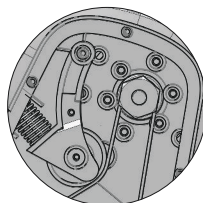
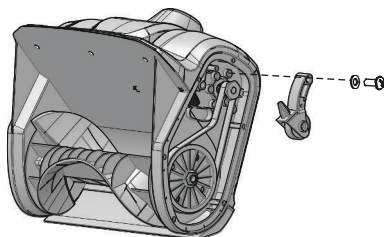
9. Insérez l'arbre de la turbine avec l'ensemble de poulie attachée dans la nouvelle turbine. Assurez-vous de replacer le manchon sur le côté gauche de l'arbre.



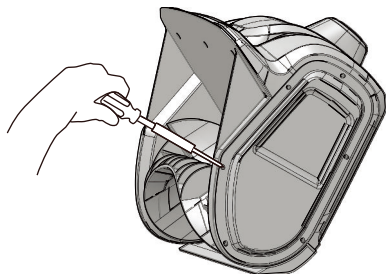
11. Placez la courroie et le tendeur de courroie.



10. Remplacez et serrez l'écrou restant sur l'ensemble de la plaque latérale gauche, les vis sur le couvercle latéral gauche et les vis sur l'ensemble de la poulie.



12. Remplacez et serrez les vis restantes sur le couvercle latéral droit.



12 TRANSPORT ET ENTREPOSAGE

- Nettoyez la machine avant de l'entreposer.
- Assurez-vous que le moteur n'est pas chaud lorsque vous entreposez la machine.
- Assurez-vous que la machine n'a pas de pièces mal fixées ou endommagées. Au besoin, suivez ces étapes/instructions :
 - Remplacez les pièces endommagées.
 - Serrez les boulon.
 - Parlez à une personne d'un centre de service certifié.
- Entrez la machine dans un endroit sec et verrouillé.
- Assurez-vous que les enfants ne peuvent pas s'approcher de la machine.
- Lorsque vous déplacez la machine, tenez-la par la poignée supérieure et la poignée auxiliaire.

13 DÉPANNAGE

Problème	Cause possible	Solution
Le guidon n'est pas bien installé.	Les écrous ne sont pas bien enclenchés.	Ajustez la hauteur du guidon et assurez-vous que les boutons et les boulons sont alignés correctement.

Problème	Cause possible	Solution
La machine ne démarre pas.	La batterie n'est pas chargée.	Chargez la batterie en suivant les procédures du manuel de la batterie et du chargeur.
	L'interrupteur est défectueux.	Faites remplacer l'interrupteur défectueux par un centre de service agréé.
	La batterie est trop froide.	Retirez la batterie de la souffleuse à neige. Placez la batterie sur le chargeur et laissez-la charger pendant 10 minutes ou lorsque le voyant de charge devient vert. Retirez du chargeur et installez-la dans la souffleuse à neige pour l'utilisation.
	La batterie peut nécessiter un entretien ou un remplacement.	Appelez le service d'assistance téléphonique au 1-888-909-6757, ou remplacez la batterie.
Le moteur est en marche, mais la turbine ne tourne pas.	La courroie est endommagée.	Remplacez la courroie.
Une fine couche de neige reste derrière.	Le grattoir est endommagé.	Remplacez le grattoir.

* Si vous ne trouvez pas une solution à ces problèmes, communiquez avec le centre de service 1-888-909-6757.

14 DONNÉES TECHNIQUES

Voltage	40 V
Vitesse à vide	1800 RPM
Largeur de compensation	12 in (30.5 cm)
Profondeur de déneigement	6 in (15.2 cm)
Longueur de la turbine	11 in (27.9 cm)
Poids (sans bloc-batterie)	15.4 lbs (7 kg)
Batterie	29662 et autres séries BAF
Chargeur	29692 et autres séries CAF

15 GARANTIE LIMITÉE

FR



Greenworks garantit par la présente ce produit, à l'acheteur original avec preuve d'achat, pour une période de trois (3) ans contre tout défaut de matériaux, de pièces ou de main-d'œuvre. Greenworks, à sa propre discrétion, réparera ou remplacera toutes les pièces défectueuses, dans des conditions normales d'utilisation, sans frais pour le client. Cette garantie n'est valable que pour les appareils qui ont été utilisés à des fins personnelles, qui n'ont pas été loués à des fins industrielles ou commerciales et qui ont été entretenus conformément aux instructions du manuel du propriétaire fourni avec le produit neuf.

ARTICLES NON COUVERTS PAR LA GARANTIE :

1. Toute pièce qui est devenue inopérante en raison d'une mauvaise utilisation, d'une utilisation commerciale, d'un abus, d'une négligence, d'un accident, d'un entretien inapproprié ou d'une modification; ou
2. L'appareil, s'il n'a pas été utilisé et/ou entretenu conformément au manuel du propriétaire; ou
3. Usure normale;
4. Articles d'entretien courant tels que lubrifiants, affûtage des lames;
5. Détérioration normale du fini extérieur due à l'utilisation ou à l'exposition.

ASSISTANCE TÉLÉPHONIQUE :

Le service de garantie est accessible en appelant notre ligne d'assistance téléphonique sans frais, au 1-888-909-6757.

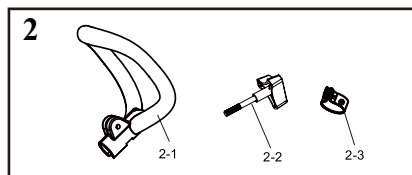
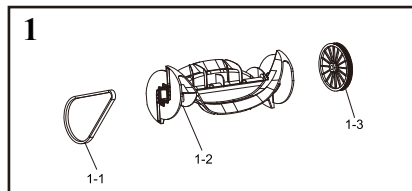
FRAIS DE TRANSPORT :

Les frais de transport pour le déplacement de tout équipement motorisé ou accessoire sont à la charge de l'acheteur. Il incombe à l'acheteur de payer les frais de transport pour toute pièce retournée pour remplacement en vertu de la présente garantie, à moins qu'un tel retour soit demandé par écrit par Greenworks.

Adresse aux États-Unis : Adresse au Canada :

Greenworks Tools	Greenworks Tools Canada Inc.
P.O. Box 1238	P.O. Box 93095, Newmarket, Ontario
Mooresville, NC 28115	L3Y 8K3

16 VUE ÉCLATÉE



No	No de pièce	Qté	Description
1	R0200289-00	1	Ensemble de la turbine
1-1	R0201587-00	1	Courroie
1-2	R0202976-00	1	Turbine
1-3	R0201930-00	1	roue
2	R0202973-00	1	Ensemble de poignée auxiliaire
2-1	R0203074-00	1	Poignée auxiliaire
2-2	R0203072-00	1	Bouton de la poignée auxiliaire
2-3	R0202533-00	1	Anneau métallique

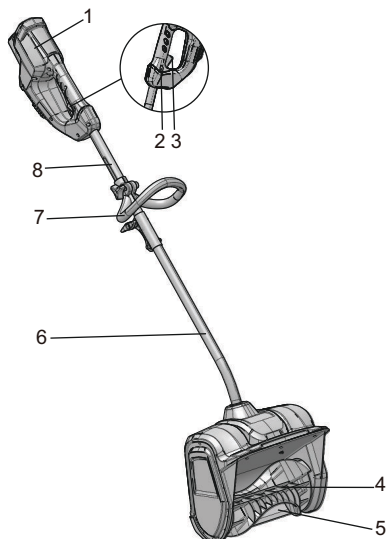
1	Descripción.....	31		9.3 Fijación del asa auxiliar.....	35
1.1	Finalidad.....	31	9.4	Instalación de la batería.....	36
1.2	Perspectiva general.....	31	9.5	Retirada de la batería.....	36
2	Advertencias de seguridad generales para aparatos.....	31	10	Funcionamiento.....	36
3	Intervalo de temperatura ambiente recomendado:.....	33	10.1	Funcionamiento en condiciones de frío.....	36
4	Símbolos en el producto.....	33	10.2	Puesta en marcha de la máquina.....	37
5	Niveles de riesgo.....	33	10.3	Detención de la máquina.....	37
6	Servicio.....	34	10.4	Funcionamiento de la máquina.....	37
7	Eliminación de batería segura para el medio ambiente.....	34	11	Mantenimiento.....	37
8	Propuesta 65.....	34	11.1	Mantenimiento general.....	38
9	Instalación.....	34	11.2	Sustitución del rascador.....	38
9.1	Desembalaje de la máquina.....	35	11.3	Sustitución del rotor.....	38
9.2	Fijación del eje.....	35	12	Transporte y almacenamiento.....	40
			13	Solución de problemas.....	40
			14	Datos técnicos.....	41
			15	Garantía limitada.....	41
			16	Vista despiezada.....	42

1 DESCRIPCIÓN

1.1 FINALIDAD

Esta máquina se utiliza para quitar y despejar la nieve de aceras, jardines, calzadas y otras superficies a nivel del suelo.

1.2 PERSPECTIVA GENERAL



- 1 Compartimento de la batería
- 2 Botón de desbloqueo
- 3 Gatillo
- 4 Rotor
- 5 Rascador
- 6 Eje inferior
- 7 Asa auxiliar
- 8 Eje superior

2 ADVERTENCIAS DE SEGURIDAD GENERALES PARA APARATOS

▲ AVISO

Lea todas las advertencias de seguridad y todas las instrucciones. *El incumplimiento de las advertencias e instrucciones puede provocar descargas eléctricas, incendios o lesiones graves.*

Guarde todas las advertencias e instrucciones para su consulta posterior.

El término "aparato" empleado en las advertencias se refiere a su pala para nieve con funcionamiento a batería (inalámbrico).

- No permita que niños menores de 14 años utilicen esta herramienta. Los niños de 14 años o mayores deben leer y entender las instrucciones de funcionamiento y las normas de seguridad que se encuentran en este manual y deben recibir formación y supervisión por parte de uno de sus progenitores.
- Lea detenidamente el manual de instrucciones de funcionamiento y servicio. Familiarícese a fondo con los controles y el uso correcto del aparato. Debe saber cómo detener la unidad y desacoplar los controles rápidamente.
- Nunca permita que los niños utilicen el aparato. Nunca permita que utilicen el aparato adultos sin la debida instrucción.
- Mantenga la zona de funcionamiento libre de cualquier persona, especialmente niños pequeños y mascotas.
- Tenga precaución para evitar resbalones o caídas, especialmente durante la utilización marcha atrás.
- No utilice sobre superficies de gravilla.
- Lleve indumentaria adecuada – No lleve ropa o joyas sueltas. Pueden quedar atrapadas en las piezas móviles.
- Lleve botas de goma al utilizar el aparato.
- El funcionamiento del aparato en la posición de mano no es seguro, excepto de acuerdo con las instrucciones especiales para dicho uso que se proporcionan en el manual del operario.
- Inspeccione exhaustivamente la superficie donde va a utilizarse el aparato y elimine todos los felpudos, trineos, planchas, cables y otros objetos extraños.
- No utilice el aparato sin llevar indumentaria adecuada de invierno. Lleve calzado, que mejorará el equilibrio en superficies resbaladizas.
- Ajuste la altura de la carcasa para dejar espacio en caso de superficies de grava o piedra triturada.
- Nunca intente realizar ningún ajuste mientras el aparato esté en funcionamiento (excepto cuando el fabricante lo recomiende específicamente).
- Lleve siempre gafas de seguridad o protectores oculares durante la utilización o al realizar un ajuste o una reparación para proteger los ojos de objetos extraños que puedan ser lanzados desde el aparato.
- Evite el arranque accidental. Asegúrese de que el interruptor esté en la posición de apagado antes de conectar a la batería y al coger o transportar el aparato. El transporte del aparato con el dedo en el interruptor o la conexión de un aparato que tiene el interruptor activado fomenta los accidentes.
- Desconecte la batería del aparato antes de realizar ajustes, cambiar accesorios o almacenarlo. Estas medidas de seguridad preventivas reducen el riesgo de que el aparato se ponga en marcha accidentalmente.
- Cuando la batería no esté en uso, manténgala alejada de otros objetos metálicos como clips, monedas, llaves, clavos, tornillos u otros objetos metálicos pequeños que puedan hacer una conexión entre los terminales. El

cortocircuito de los terminales de la batería puede provocar quemaduras o un incendio.

- Bajo condiciones abusivas, es posible que salga líquido despedido de la batería; evite el contacto. Si se produce un contacto accidental, aclare con agua. Si el líquido entra en contacto con los ojos, acuda también al médico. El líquido despedido de la batería puede provocar irritación o quemaduras.
- No ponga las manos ni los pies cerca o debajo de las piezas giratorias. Manténgase alejado en todo momento de la abertura de descarga.
- Extreme las precauciones al trabajar sobre o al cruzar senderos de grava, aceras o caminos. Esté alerta a los riesgos ocultos o al tráfico.
- Después de golpear un objeto extraño, apague la máquina y retire la batería, posteriormente inspecciónela para detectar daños. Repare los daños antes de volver a poner en marcha y utilizar la máquina.
- Si el aparato empieza a vibrar de manera anormal, detenga la máquina y compruebe de inmediato la causa. Normalmente la vibración es una advertencia de problemas.
- Detenga la máquina cada vez que abandone la posición de utilización, antes de desatascar la carcasa del colector/rotor o la guía de descarga, así como al realizar reparaciones, ajustes o inspecciones.
- Cuando limpie, repare o inspeccione, asegúrese de que el colector/rotor y todas las piezas en movimiento se hayan detenido.
- Extreme las precauciones cuando trabaje en pendientes.
- Nunca utilice el aparato sin las protecciones adecuadas, mantenga los demás dispositivos de protección de seguridad en su posición y en estado de funcionamiento.
- Nunca dirija la descarga hacia personas o zonas donde puedan producirse daños a la propiedad. Mantenga alejados a los niños y otras personas.
- No se estire – Mantenga en todo momento una postura adecuada y el equilibrio.
- No sobrecargue la capacidad de la máquina intentando quitar demasiada nieve a una velocidad demasiado rápida.
- No fuerce el aparato – Hará el trabajo mejor y con mayor seguridad a la velocidad para la que se diseñó.
- Nunca utilice el aparato a altas velocidades de transporte en superficies resbaladizas. Tenga cuidado al dar marcha atrás.
- Nunca dirija la descarga a los transeúntes ni permita que una persona se ponga delante del aparato.
- Desconecte la alimentación del colector/rotor cuando el aparato se transporte o no esté en uso.
- Utilice únicamente accesorios aprobados por el fabricante del aparato (como pesos de ruedas, contrapesos o cabinas).
- Nunca utilice el aparato sin una buena visibilidad o luz. Asegúrese siempre de tener una posición estable y mantenga un agarre firme en las asas.
- Camine, no corra.
- Desobstrucción de un conducto de descarga.

- Esta herramienta no ha sido concebida para ser utilizada por personas (incluidos niños) con discapacidades físicas, sensoriales o mentales, o sin experiencia ni conocimiento del producto, a menos que estén bajo supervisión o hayan recibido instrucciones sobre el uso del aparato por parte de una persona responsable de su seguridad. Los niños deben estar bajo vigilancia para asegurarse de que no juegan con el aparato.
- El contacto manual con el rotor giratorio dentro del conducto de descarga es la causa más común de lesiones asociadas con el aparato. Nunca utilice la mano para limpiar el conducto de descarga. Para desobstruir el conducto:
 1. ¡APAGUE EL MOTOR!
 2. Espere 10 segundos para asegurarse de que las palas del rotor hayan dejado de girar.
 3. Utilice siempre una herramienta de limpieza, no sus manos.
- Si el aparato golpea un objeto extraño siga estos pasos:
 1. Detenga el aparato. Suelte el interruptor.
 2. Retire la batería.
 3. Inspeccione si hay daños.
 4. Repare los daños antes de volver a poner en marcha y utilizar el aparato.
- Compruebe los pernos de seguridad, los pernos de montaje del motor, etc., a intervalos frecuentes para garantizar un apriete adecuado y que el aparato esté en condiciones seguras de funcionamiento.
- Consulte siempre las instrucciones de la guía del propietario para obtener detalles importantes si el aparato debe almacenarse durante un periodo prolongado.
- Almacene los aparatos inactivos en interior – Cuando no esté en uso, el aparato debe almacenarse en interiores, en un lugar a seco, cerrado y fuera del alcance de los niños.
- Compruebe los pernos de seguridad y los otros pernos a intervalos frecuentes para garantizar un apriete adecuado y que el equipo esté en condiciones seguras de funcionamiento.
- Haga funcionar el aparato unos minutos después de quitar nieve para evitar la congelación del colector/rotor.
- No utilice una batería o un aparato que haya sufrido daños o modificaciones. Las baterías dañadas o modificadas pueden exhibir un comportamiento impredecible que puede dar lugar a un incendio, una explosión o un riesgo de lesiones.
- No exponga una batería o un aparato al fuego ni a un espacio con temperatura excesiva. La exposición al fuego o a una temperatura superior a 265°F (130°C) puede provocar una explosión.
- Siga todas las instrucciones de carga y no cargue la batería o el aparato fuera del intervalo de temperatura especificado en las instrucciones. La carga incorrecta o a temperaturas fuera del intervalo especificado puede dañar la batería y aumentar el riesgo de incendio.
- Recargue solo con el cargador especificado por el fabricante. Un cargador adecuado para un tipo de batería

puede dar lugar a un riesgo de incendio cuando se usa con otra batería.



- Utilice los aparatos únicamente con las baterías designadas específicamente. El uso de cualquier otra batería puede dar lugar a un riesgo de lesiones e incendio.
- Solicite a un técnico de reparación cualificado que realice las tareas de servicio utilizando únicamente piezas de repuesto idénticas. Esto garantizará el mantenimiento de la seguridad del producto.
- No modifique ni intente reparar el aparato o la batería (según corresponda), excepto lo indicado en las instrucciones de uso y cuidado.
- Mantenga el aparato con cuidado; siga las instrucciones para cambiar los accesorios.
- Mantenga o sustituya las etiquetas de seguridad y de instrucciones, según sea necesario.









3 INTERVALO DE TEMPERATURA AMBIENTE RECOMENDADO:

Elemento	Temperatura
Intervalo de temperatura de almacenamiento de la pala para nieve	1,4 °F (-17 °C) ~ 113 °F (45 °C)
Intervalo de temperatura de funcionamiento de la pala para nieve	1,4 °F (-17 °C) ~ 113 °F (45 °C)
Intervalo de temperatura de carga de la batería	39 °F (4 °C) ~ 104 °F (40 °C)
Intervalo de temperatura de funcionamiento del cargador	39 °F (4 °C) ~ 104 °F (40 °C)
Intervalo de temperatura de descarga de la batería	1,4 °F (-17 °C) ~ 113 °F (45 °C)
Intervalo de temperatura de almacenamiento de la batería	32 °F (0 °C) ~ 113 °F (45 °C)

4 SÍMBOLOS EN EL PRODUCTO




En esta herramienta pueden utilizarse algunos de los siguientes símbolos. Le rogamos que los estudie y aprenda su significado. La interpretación correcta de estos símbolos le permitirá manejar la herramienta mejor y de manera más segura.

Símbolo	Explicación
	Corriente continua
	Precauciones que afectan a su seguridad.

Símbolo	Explicación
	Debe leer y entender todas las instrucciones antes de manejar el producto, así como seguir todas las advertencias e instrucciones de seguridad.
	Lleve protección ocular.
	Los objetos proyectados pueden rebotar y provocar lesiones personales o daños materiales. Lleve indumentaria de protección y botas.
	Mantenga a los transeúntes a una distancia segura de la máquina.
	Mantenga las manos alejadas de la zona de descarga.
	Manténgase alejado de las piezas móviles. Mantenga todas las protecciones en su posición.
	Mantenga los pies lejos del rotor. Mantenga los pies y las manos alejados del rotor giratorio.
	Detenga el motor y retire la batería antes de dejar el producto.

5 NIVELES DE RIESGO

Las siguientes indicaciones y significados tienen como fin explicar los niveles de riesgo asociados a este producto.

SÍMBOLO	INDICACIÓN	SIGNIFICADO
	PELIGRO	Indica una situación de peligro inminente que, de no evitarse, provocará lesiones graves o incluso la muerte.
	ADVERTENCIA	Indica una situación de peligro potencial que, de no evitarse, podría provocar lesiones graves o incluso la muerte.
	PRECAUCIÓN	Indica una situación de peligro potencial que, de no evitarse, puede provocar lesiones leves o moderadas.
	PRECAUCIÓN	(Sin símbolo de alerta sobre seguridad) Indica una situación que puede provocar daños materiales.

6 SERVICIO

Las tareas de servicio exigen un cuidado extremo así como conocimientos y deben ser realizadas únicamente por un técnico de servicio cualificado. Para cuestiones de servicio, le recomendamos que devuelva la máquina al CENTRO DE SERVICIO AUTORIZADO más cercano para su reparación. Utilice únicamente accesorios y piezas de repuesto idénticos del fabricante.

7 ELIMINACIÓN DE BATERÍA SEGURA PARA EL MEDIO AMBIENTE



Los materiales tóxicos y corrosivos que figuran a continuación se encuentran en las baterías utilizadas en esta máquina: **Ion de litio, un material tóxico.**

▲ AVISO

Deseche todos los materiales tóxicos de una manera especificada para evitar la contaminación del medio ambiente. Antes de desechar una batería de ion de litio dañada o agotada, contacte con la agencia local de eliminación de residuos o con la agencia de protección ambiental local para obtener información e instrucciones específicas. Lleve las baterías a un centro de reciclaje o eliminación local, certificado para la eliminación de ion de litio.

▲ AVISO

Si la batería se agrieta o se rompe, con o sin fugas, no la recargue ni la utilice. Deséchela y sustitúyala por una batería nueva. ¡NO INTENTE REPARARLA! Para evitar lesiones y riesgos de incendio, explosión o descarga eléctrica, y para evitar daños al medio ambiente:

- Cubra los terminales de la batería con cinta adhesiva resistente.
- NO intente retirar o destruir ninguno de los componentes de la batería.
- NO intente abrir la batería.
- Si se produce una fuga, los electrolitos liberados son corrosivos y tóxicos. NO deje que la solución entre en contacto con los ojos o la piel, y no la ingiera.
- NO deseche estas baterías con la basura doméstica normal.
- NO incinere.
- NO lleve las baterías a lugares donde formarán parte de vertederos de residuos o flujos de residuos sólidos urbanos.
- Llévelas a un centro de reciclaje o eliminación certificado.

8 PROPUESTA 65

▲ AVISO

Este producto contiene una sustancia química conocida en el estado de California como causante de cáncer, defectos de nacimiento u otros daños reproductivos. El polvo generado por el lijado eléctrico, el serrado, el esmerilado, la perforación y otras actividades de construcción contiene sustancias químicas que se sabe que son causantes de cáncer, defectos de nacimiento u otros daños reproductivos. Algunos ejemplos de estas sustancias químicas son:

- Plomo de pinturas con base de plomo;
- Sílice cristalina de ladrillos y cemento y otros productos de albañilería;
- Arsénico y cromo de la madera tratada químicamente.

El riesgo de exposición a estas sustancias químicas varía según la frecuencia con la que realice este tipo de trabajo. Para reducir su exposición a estas sustancias químicas, trabaje en una zona bien ventilada y trabaje con equipos de seguridad aprobados, como máscaras antipolvo, que estén especialmente diseñadas para filtrar partículas microscópicas.

Conservar estas instrucciones.

9 INSTALACIÓN

▲ AVISO

No cambie ni utilice accesorios que no sean los recomendados por el fabricante.

▲ AVISO

No instale la batería hasta que no haya montado todas las piezas.

9.1 DESEMBALAJE DE LA MÁQUINA

▲ AVISO

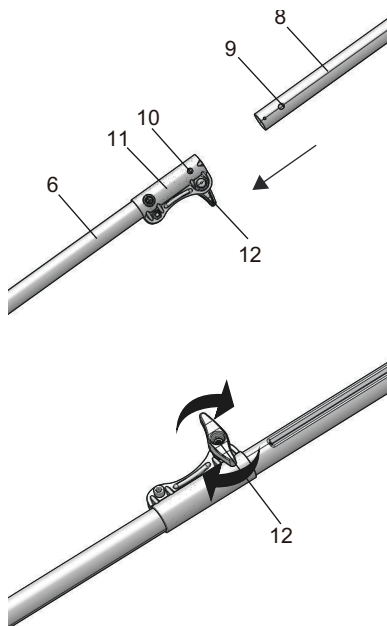
Asegúrese de montar correctamente la máquina antes del uso.

▲ AVISO

- Si las piezas presentan daños, no utilice la máquina.
- Si no tiene todas las piezas, no utilice la máquina.
- Si faltan piezas o hay piezas dañadas, hable con el centro de servicio.

1. Abra el embalaje.
2. Lea la documentación que se encuentra en la caja.
3. Retire todas las piezas sin montar de la caja.
4. Retire la máquina de la caja.
5. Deseche la caja y el embalaje de conformidad con los reglamentos locales.

9.2 FIJACIÓN DEL EJE

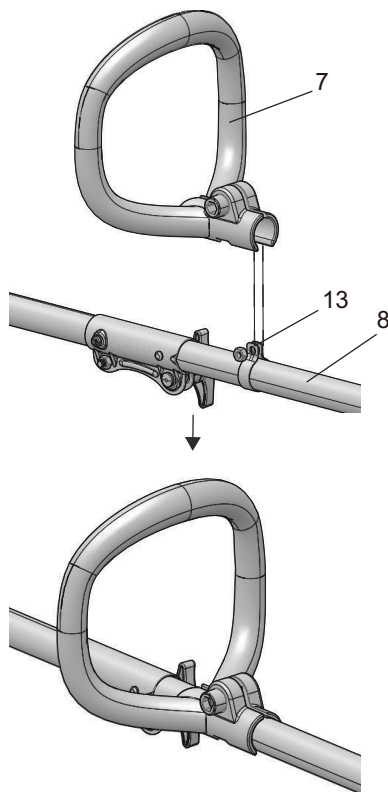


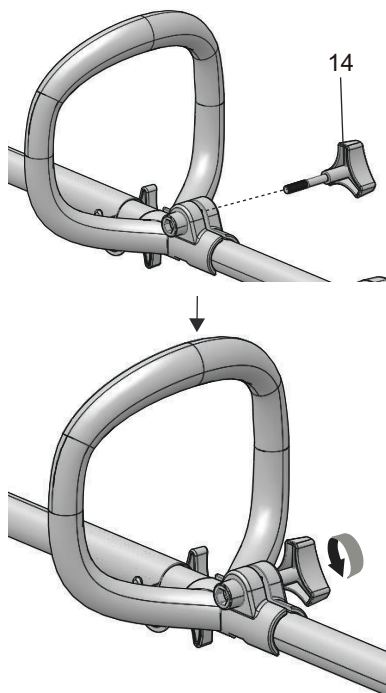
i NOTA

Si el botón no se libera totalmente en el orificio de posicionamiento, los ejes no se bloquean en su posición. Gire de lado a lado hasta que el botón quede bloqueado en su posición.

1. Afloje el mando de bloqueo (12) del acoplamiento (11).
2. Alinee el botón de desbloqueo (9) con el orificio de posicionamiento (10) y deslice los dos ejes juntos.
3. Gire el eje superior (8) hasta que el botón de desbloqueo (9) se bloquee en el orificio de posicionamiento (10).
4. Apriete el mando de bloqueo (12).

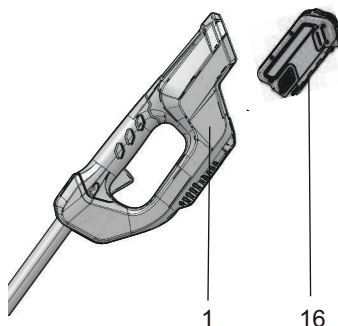
9.3 FIJACIÓN DEL ASA AUXILIAR





1. Introduzca el asa auxiliar (7) en el eje superior (8).
2. Mueva el asa auxiliar (7) sobre el anillo metálico (13) y asegúrese de que el anillo (13) encaje entre la ranura del asa auxiliar (7).
3. Alinee los orificios del asa auxiliar (7) y el anillo metálico (13).
4. Introduzca el mando del asa (14) por los orificios y apriételo.

9.4 INSTALACIÓN DE LA BATERÍA



▲ AVISO

- Si la batería o el cargador ha sufrido daños, sustituya la batería o el cargador.
- Detenga la máquina y espere hasta que el motor se pare antes de instalar o retirar la batería.
- Debe leer, conocer y seguir las instrucciones del manual de la batería y el cargador.

1. Alinee las nervaduras de elevación de la batería (16) con las ranuras del compartimento de la batería (1).
2. Introduzca la batería en el compartimento de la batería (1) hasta que la batería (16) encaje en su posición.
3. Cuando escuche un clic, la batería está instalada.

9.5 RETIRADA DE LA BATERÍA

1. Pulse y mantenga pulsado el botón de desbloqueo de la batería.
2. Retire la batería (16) de la máquina.

10 FUNCIONAMIENTO

▲ AVISO

Lleve protección ocular durante el funcionamiento.

10.1 FUNCIONAMIENTO EN CONDICIONES DE FRÍO

La temperatura de funcionamiento seguro de la batería varía de 1°F (-17°C) a 113°F (45°C).

▲ AVISO

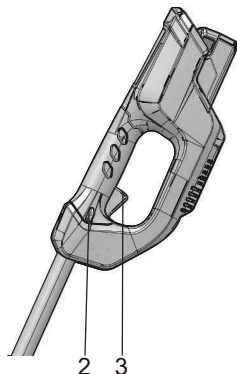
No almacene ni cargue la batería en el exterior.

La batería debe cargarse y almacenarse en interiores antes de utilizar la máquina.

Si la máquina no arranca por debajo de 1°F (-17°C),

- retire la batería de la máquina,
- cargue la batería durante 10 minutos en una zona cálida o cuando el piloto de carga cambie a verde.
- Instale de nuevo la batería.

10.2 PUESTA EN MARCHA DE LA MÁQUINA



1. Pulse y mantenga pulsado el botón de desbloqueo (2).
2. Apriete el gatillo (3) para poner en marcha la máquina.
3. Suelte el botón de desbloqueo (2).

▲ AVISO

Examine la superficie de trabajo. Retire todas las piedras, palos, alambres, huesos y otros residuos que puedan rebotar debido al rotor giratorio.

¡ NOTA

Si es posible, quite la nieve en la dirección del viento.

10.3 DETENCIÓN DE LA MÁQUINA

1. Suelte el gatillo (3) para detener la máquina.

10.4 FUNCIONAMIENTO DE LA MÁQUINA



1. Ponga en marcha la máquina.
2. Empuje la máquina hacia delante hasta que vaya sobre el rascador (14).

¡ NOTA

La velocidad de avance depende de la profundidad y el peso de la nieve.

11 MANTENIMIENTO

▲ AVISO

Retire la batería de la máquina antes de realizar tareas de mantenimiento.

▲ AVISO

Lleve ropa, guantes y gafas de seguridad adecuadas antes del mantenimiento.

▲ PRECAUCIÓN

Utilice únicamente piezas de repuesto aprobadas.

▲ PRECAUCIÓN

No permita que líquidos de frenos, gasolina y otros derivados del petróleo toquen las piezas de plástico. Las sustancias químicas pueden dañar el plástico y hacer que quede inservible.

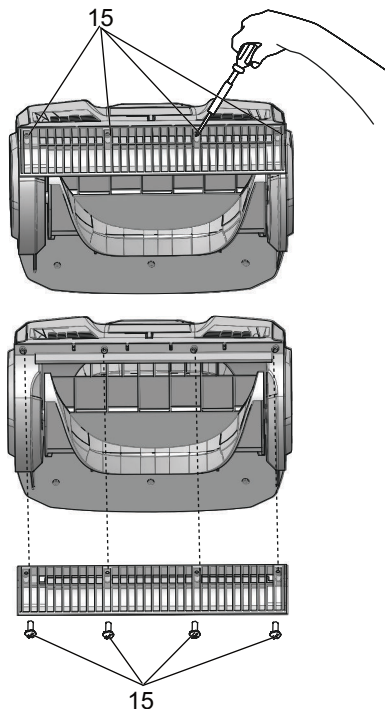
▲ PRECAUCIÓN

No utilice disolventes o detergentes fuertes en la carcasa o los componentes de plástico.

11.1 MANTENIMIENTO GENERAL

- Antes de cada uso, examine la máquina para comprobar si hay piezas dañadas, ausentes o sueltas como tornillos, tuercas, pernos y tapas.
- Apriete correctamente todos los elementos de fijación y las tapas.
- Limpie los restos de nieve de la máquina con un cepillo.

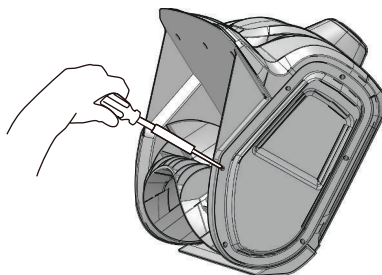
11.2 SUSTITUCIÓN DEL RASCADOR



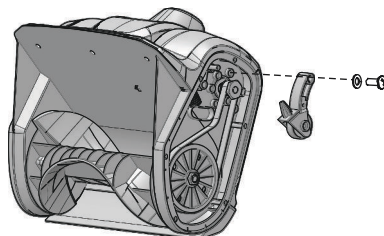
1. Ponga la máquina sobre una superficie plana y nivelada.
2. Oriente hacia arriba el rotor.
3. Retire los 4 tornillos debajo del rotor (4) que fijan el rascador (5) a la máquina.
4. Retire el rascador gastado (5).
5. Instale el rascador nuevo (5).
6. Instale y apriete los tornillos (15) que ha retirado.

11.3 SUSTITUCIÓN DEL ROTOR

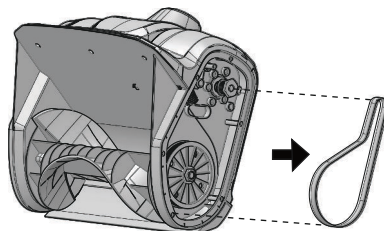
1. Retire 6 tornillos en la cubierta del lado derecho.



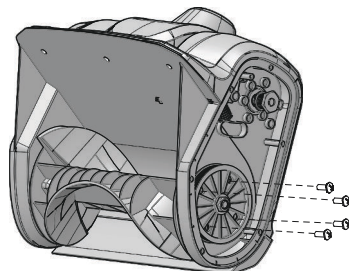
2. Tire del tensor de la correa para separarlo de la polea del motor. Asegúrese de que no falten la arandela, el muelle y el tornillo.



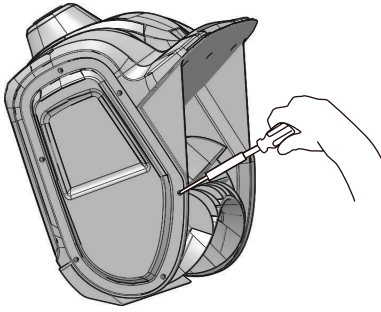
3. Retire la correa.



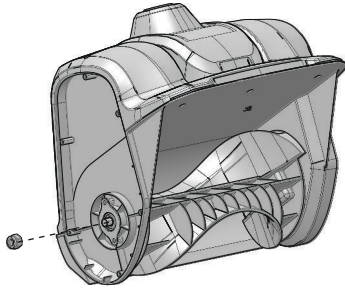
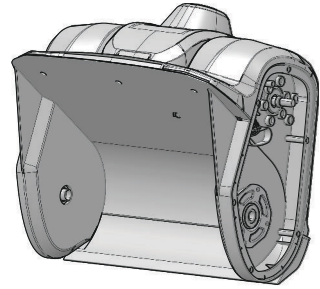
4. Retire los 4 tornillos.



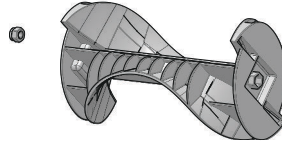
5. Retire los 6 tornillos en la cubierta del lado izquierdo.



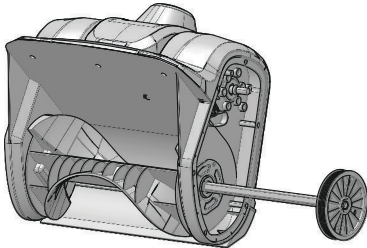
6. Retire la tuerca en la placa lateral izquierda.



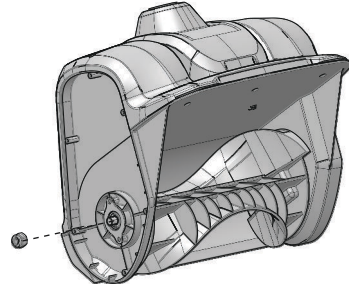
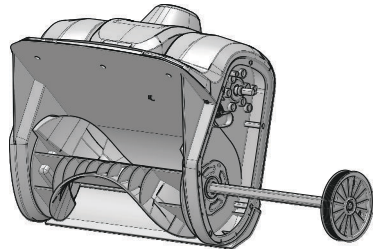
7. Retire el eje del rotor con el conjunto de la polea fijado.



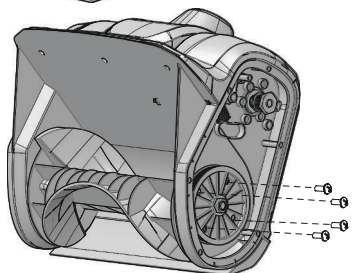
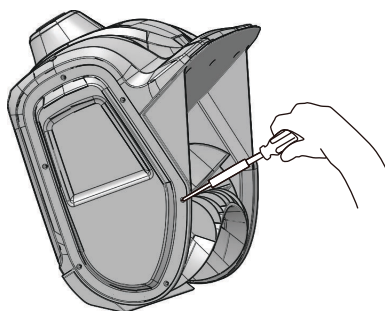
9. Instale el eje del rotor con el conjunto de la polea fijado en el nuevo rotor. Asegúrese de volver a colocar el manguito del eje conservado en el lado izquierdo del eje.



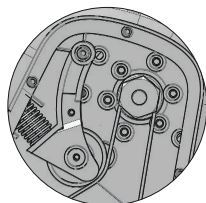
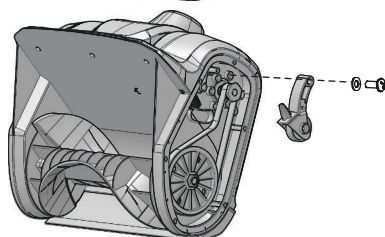
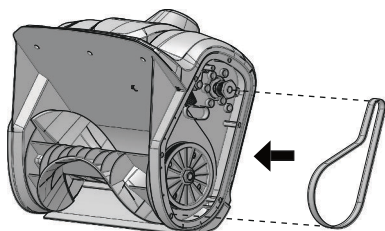
8. Retire el rotor dañado (13). Asegúrese de que no falte el manguito del eje en el lado izquierdo del eje.



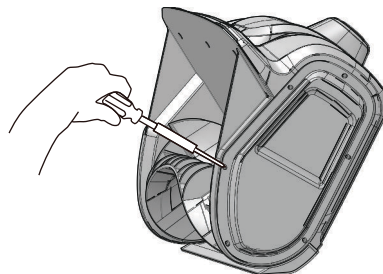
10. Vuelva a colocar y apriete la tuerca restante en el conjunto de la placa lateral izquierda, los tornillos en la cubierta lateral izquierda y los tornillos en el conjunto de la polea.



11. Coloque la correa y el tensor de la polea en su posición.



12. Vuelva a colocar y apriete los tornillos restantes en la cubierta lateral derecha.



12 TRANSPORTE Y ALMACENAMIENTO

- Limpie la máquina antes del almacenamiento.
- Asegúrese de que el motor no esté caliente cuando almacene la máquina.
- Asegúrese de que la máquina no tenga piezas sueltas o dañadas. Si es necesario, siga estos pasos/estas instrucciones:
 - Sustituya las piezas dañadas.
 - Apriete los pernos.
 - Hable con una persona de un centro de servicio aprobado.
- Almacene la máquina en una zona seca y cerrada.
- Asegúrese de que los niños no puedan acercarse a la máquina.
- Cuando mueva la máquina, sujétela por el asa superior y el asa auxiliar.

13 SOLUCIÓN DE PROBLEMAS

Problema	Posible causa	Solución
El asa no está en posición.	Los pernos no se han acoplado correctamente.	Ajuste la altura del asa y asegúrese de que los mandos y los pernos se hayan alineado correctamente.

Problema	Posible causa	Solución
La máquina no se pone en marcha.	La batería no está cargada.	Cargue la batería siguiendo los procedimientos del manual de la batería y el cargador.
	El interruptor está defectuoso.	El interruptor debe ser sustituido por un centro de servicio autorizado.
	La batería está demasiado fría.	Retire la batería del quitanieves. Coloque la batería en el cargador y deje que se cargue durante 10 minutos o hasta que el piloto de carga cambie a verde. Retire del cargador e instale en el quitanieves para el uso.
	La batería puede necesitar servicio o sustitución.	Llame a la línea de asistencia telefónica gratuita, en el 1-888-909-6757 o sustituya la batería.
El motor está encendido, pero el rotor no gira.	La correa ha sufrido daños.	Sustituya la correa.
Queda una capa fina de nieve.	El rascador ha sufrido daños.	Sustituya el rascador.

* Si no puede encontrar la solución a estos problemas, avise a 1-888-909-6757.

14 DATOS TÉCNICOS

Tensión	40 V
Velocidad sin carga	1800 RPM
Ancho de retirada	12 in (30.5 cm)
Profundidad de retirada	6 in (15.2 cm)
Tamaño del rotor	11 in (27.9 cm)
Peso (sin batería)	15.4 lbs (7 kg)
Batería	29662 y otras series BAF
Cargador	29692 y otras series CAF

15 GARANTÍA LIMITADA



Por la presente Greenworks garantiza este producto, al comprador original con el comprobante de compra, durante un periodo de tres (3) años frente a defectos en materiales, piezas o mano de obra. A su entera discreción Greenworks reparará o sustituirá cualquiera y todas las piezas que resulten ser defectuosas, con un uso normal, sin coste alguno para el cliente. Esta garantía es válida únicamente para unidades que se hayan utilizado para uso personal que no han sido compradas o alquiladas para uso industrial/comercial y cuyo mantenimiento se ha realizado de acuerdo con las instrucciones del manual del propietario suministrado con el producto nuevo.

ARTÍCULOS NO CUBIERTOS POR LA GARANTÍA:

1. Cualquier pieza que no funcione debido a mal uso, uso comercial, abuso, negligencia, accidente, mantenimiento inadecuado o alteración; o
2. La unidad, si no ha sido utilizada o mantenida de acuerdo con el manual del propietario; o
3. Desgaste normal;
4. Artículos de mantenimiento de rutina tales como lubricantes, afilado de cuchillas;
5. Deterioro normal del acabado exterior debido al uso o la exposición.

LÍNEA DE ASISTENCIA TELEFÓNICA:

Puede contactar con el servicio de garantía llamando a nuestra línea de asistencia telefónica gratuita a 1-888-909-6757.

COSTES DE TRANSPORTE:

Los costes de transporte por el desplazamiento de cualquier unidad o accesorio de equipos eléctricos son responsabilidad del comprador. Es responsabilidad del comprador pagar los costes de transporte de cualquier pieza enviada para su sustitución bajo esta garantía, a menos que dicha devolución sea solicitada por escrito por Greenworks.

Dirección en EE.UU.: Dirección en Canadá:

Greenworks Tools Greenworks Tools Canada, Inc.

P.O. Box 1238

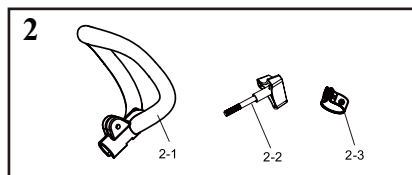
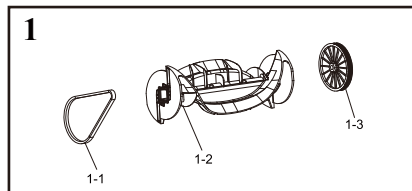
P.O. Box 93095, Newmarket,

Ontario

Mooresville, NC 28115

L3Y 8K3

16 VISTA DESPIEZADA



N.º	N.º pieza	Cant.	Descripción
1	R0200289-00	1	Conjunto del rotor
1-1	R0201587-00	1	Correa
1-2	R0202976-00	1	Rotor
1-3	R0201930-00	1	rueda
2	R0202973-00	1	Conjunto de asa auxiliar
2-1	R0203074-00	1	Asa auxiliar
2-2	R0203072-00	1	Mando de asa auxiliar
2-3	R0202533-00	1	Anillo metálico

