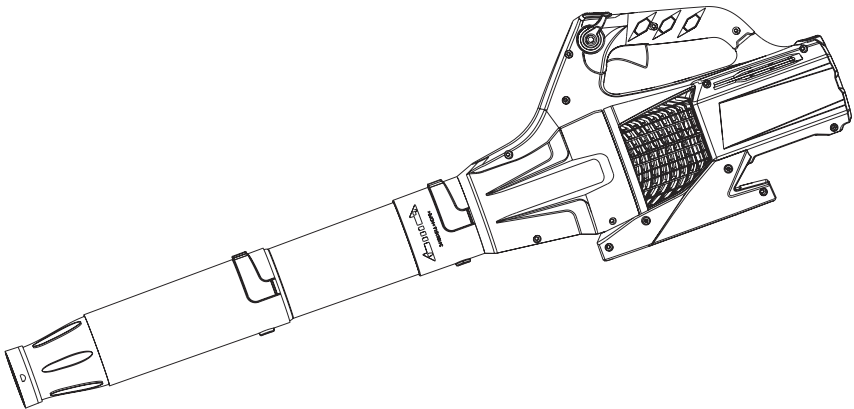




80V BRUSHLESS AXIAL BLOWER
BL80L00



Intertek
3091488

Owner's Manual

TOLL-FREE HELPLINE: 1-855-345-3934

www.greenworkstools.com/80V-PRO

Read all safety rules and instructions carefully before operating this tool.

CONTENTS

Contents	2
Product Specifications	2
General Safety Rules	3
Symbols	6
Know Your Blower	8
Assembly Instruction	9
Operation	12
Environmentally Safe Battery Disposal	14
Troubleshooting	15
Warranty	16
Exploded View	17
Parts List	17

PRODUCT SPECIFICATIONS

80V CORDLESS BRUSHLESS AXIAL BLOWER

Type	Cordless, battery operated
Battery	80V (2.5 Ah) Lithium-Ion
Motor	80V Brushless
Air Volume (CFM)	580 CFM
Speed (MPH)	145 MPH
Trigger	Variable Speed
Cruise Control	Yes
Charge Time	40 minutes
Weight (With Battery)	8.33 lbs (3.78 kg)
Weight (Without Battery)	5.41 lbs (2.45 kg)



GENERAL SAFETY RULES

READ ALL INSTRUCTIONS BEFORE USING (THIS POWER TOOL)

⚠ W A R N I N G

Read and understand all instructions before using this product. Failure to follow all instructions listed below may result in electric shock, fire, and/or serious personal injury. When using an electrical appliance, basic precautions should always be followed, including the following:

- Do not allow to be use as a toy. Close attention is necessary when used by or near children.
- Use only as described in this manual. Use only manufacturer's recommended attachments.
- Do not put any object into openings. Do not use if any openings are blocked. Keep openings free of dust, lint, hair, and anything that may reduce air flow.
- Keep hair, loose clothing, fingers and all body parts away from openings and moving parts.
- Use extra care when cleaning on stairs.
- Do not use to pick up flammable or combustible liquids, such as gasoline, or use in areas where they may be present.
- Do not operate power tools in an explosive atmosphere, such as in the presence of flammable liquids, gases, or dust. Power tools create sparks that may ignite the dust or fumes.
- Do not expose power tools to rain or wet conditions. Water entering a power tool will increase the risk of electric shock.
- Do not use on wet surfaces. Do not expose to rain. Store indoors.
- Store indoors. Do not expose to rain or water, avoid direct sunlight.
- Do not handle appliance with wet hands.
- Never allow children to operate the equipment. Never allow adults to operate the equipment without proper instruction.
- Always wear safety glasses with side shields that comply with ANSI Z87.1. Everyday glasses only have impact resistant lenses. They are NOT safety glasses. Following this rule will reduce the risk of eye injury. If working in a dusty area, use a dusk mask.
- Wear heavy long pants, boots, and gloves. Avoid loose garments or jewellery that could get caught in moving parts of the machine or its motor.
- Do not force tool. Use the correct tool for your application. The correct tool will do the job better and safer at the rate for which it is designed.
- Do not operate the equipment while barefoot or when wearing sandals or similar lightweight footwear. Wear protective footwear that will protect your feet and improve your footing on slippery surfaces.
- Secure long hair so it is above shoulder level to prevent entanglement in any moving parts.
- Keep firm footing and balance. Do not overreach. Overreaching can result in loss of balance.
- Do not use the tool if the switch does not turn it on or off. Any tool that cannot be controlled with the switch is dangerous, and must be repaired.
- Keep all bystanders, children, and pets at least 50' (15 m) away.
- Do not point the blower nozzle in the direction of people or pets.
- Never run the unit without the proper equipment attached. Always ensure the blower tube is installed.
- Use only Greenworks Batteries: GBA80250, 2902402, 2902502, 2901302
- Use only Greenworks Charger: 2901402
- Do not operate this unit when you are tired, ill, or under the influence of alcohol, drugs, or medication.
- Do not operate in poor lighting.
- When not in use, product should be stored indoors in a dry, locked place out of the reach of children.

GENERAL SAFETY RULES

- Maintain tool with care. Keep fan area clean for best and safest performance. Follow instructions for proper maintenance.
- Keep all parts of your body away from any moving parts and all hot surfaces of the unit.
- Check the work area before each use. Remove all objects such as rocks, broken glass, nails, wire, or string which can be thrown or become entangled in the machine.
- This appliance is provided with double insulation. Use only identical replacement parts. See instructions for Servicing of Double-Insulated Appliances.
- Use only identical manufacturer's replacement parts and accessories. Use of any other parts may create a hazard or cause product damage.
- Remove the battery pack before connecting tool.

FOR BATTERY-OPERATED POWER TOOLS:

- Do not charge battery in rain, or in wet locations.
- Do not use battery-operated appliance in rain.
- Remove or disconnect battery before servicing, cleaning, or removing material from the appliance.
- Do not dispose of the battery in a fire. The cell may explode. Check with local codes for possible special disposal instructions.
- Do not open or mutilate the battery. Released electrolyte is corrosive and may cause damage to the eyes or skin. It may be toxic if swallowed.
- Use appliances only with specifically designated battery packs. Use of any other battery packs may create a risk of injury and fire.
- Exercise care in handling batteries in order not to short the battery with conducting materials such as rings, bracelets, and keys. The battery or conductor may overheat and cause burns.
- Prevent unintentional starting. Ensure the switch is in the off-position before connecting to battery pack, picking up or carrying the appliance. Carrying the power tool with your finger on the switch or energizing power tool that have the switch on invites accidents.
- Disconnect the battery pack from the power tool before making any adjustments, changing accessories, or storing the power tool. Such preventive safety measures reduce the risk of starting the power tool accidentally.
- Battery tools do not have to be plugged into an electrical outlet; therefore, they are always in operating condition. Be aware of possible hazards when not using your battery tool or when changing accessories. Following this rule will reduce the risk of electric shock, fire, or serious personal injury.
- Batteries can explode in the presence of a source of ignition, such as a pilot light. To reduce the risk of serious personal injury, never use any cordless product in the presence of open flame. An exploded battery can propel debris and chemicals. If exposed, flush with water immediately.
- Do not crush, drop or damage battery pack. Do not use a battery pack or charger that has been dropped or received a sharp blow. A damaged battery is subject to explosion. Properly dispose of a dropped or damaged battery immediately.
- Do not attempt to clear clogs from tool without first removing the battery.
- Do not handle the charger, including the charger plug and terminals, with wet hands.
- Use only the charger supplied by the manufacturer to recharge the battery.
- Recharge only with the charger specified by the manufacturer. A charger that is suitable for one type of battery pack may create a risk of fire when used with another battery pack.
- Do not charge the battery outdoors.
- Do not incinerate the appliance even if it is severely damaged. The batteries can explode in a fire.
- When battery pack is not in use, keep it away from other metal objects, like paper clips, coins, keys, nails, screws or other small metal objects, that can make a connection from one terminal to another. Shorting the battery terminals together may cause burns or a fire.

GENERAL SAFETY RULES

- Under extreme usage or temperature conditions, battery leakage may occur. If liquid comes in contact with your skin, wash immediately with soap and water, then neutralize with lemon juice or vinegar. If liquid gets into your eyes, flush them with clean water for at least 10 minutes, then seek immediate medical attention. Following this rule will reduce the risk of serious personal injury.
- Do not use a battery pack or appliance that is damaged or modified. Damaged or modified batteries may exhibit unpredictable behavior resulting in fire, explosion or risk of injury.
- Do not expose a battery pack or appliance to fire or excessive temperature. Exposure to fire or temperature above 265°F may cause explosion.
- For best results, your battery tool should be charged in a location where the temperature is more than 43°F but less than 104°F. To reduce the risk of serious personal injury, do not store outside or in vehicles.
- Have servicing performed by a qualified repair person using only identical replacement parts. This will ensure that the safety of the product is maintained.
- Do not modify or attempt to repair the appliance or the battery pack (as applicable) except as indicated in the instructions for use and care.
- Save these instructions. Refer to them frequently and use them to instruct others who may use this power tool. If you loan someone this power tool, loan them these instructions also.
- Follow all charging instructions and do not charge the battery pack or appliance outside of the temperature range specified in the instructions. Charging improperly or at temperatures outside of the specified range may damage the battery and increase the risk of fire.

⚠ W A R N I N G (PROPOSITION 65)

This product contains a chemical known to the state of California to cause cancer, birth defects or other reproductive harm.

Some dust created by power sanding, sawing, grinding, drilling, and other construction activities contains chemicals known to cause cancer, birth defects or other reproductive harm. Some examples of these chemicals are:

- Lead from lead-based paints
- Crystalline silica from bricks and cement and other masonry products, and
- Arsenic and chromium from chemically treated lumber.

Your risk of exposure to these chemicals varies depending on how often you do this type of work. To reduce your exposure to these chemicals, work in a well-ventilated area, and work with approved safety equipment, such as dust masks that are specially designed to filter out microscopic particles.

CHILD SAFETY











Tragic accidents can occur if the operator is not aware of the presence of children.

- Keep children out of the working area and under the watchful care of a responsible adult.
- Do not allow children under the age of 14 to operate this blower. Children who are 14 years of age and older must read and understand the operating instructions and safety rules in this manual and must be trained and supervised by a parent.
- Stay alert, and turn the blower off if a child or any other person enters the working area.
- Use extreme care when approaching blind corners, doorways, shrubs, trees, or other objects that may obscure your view of a child who may run into the path of the blower.

SAVE THESE INSTRUCTIONS




SYMBOLS

Some of the following symbols may be used on this product. Please study them and learn their meaning. Proper interpretation of these symbols will allow you to operate the product better and safer.

SYMBOL	NAME	DESIGNATION/EXPLANATION
V	Volts	Voltage
A	Amperes	Current
Hz	Hertz	Frequency (cycles per second)
W	Watts	Power
min	Minutes	Time
~	Alternating Current	Type of current
≡	Direct Current	Type or a characteristic of current
	Class II Construction	Double-insulated construction.
/min	Per Minute	Revolutions, strokes, surface speed, orbits etc., per minute
	Safety Alert	Precautions that involve your safety.
	Read The Operator's Manual	To reduce the risk of injury user must read and understand operator's manual before using this product.
	Eye Protection	Always wear eye protection with side shields marked to comply with ANSI Z87.1 when operating this equipment.
	Wear ear protection	Wear ear protection when operating this equipment.
	Long Hair	Failure to keep long hair away from the air inlet could result in personal injury.
	Loose Clothing	Failure to keep loose clothing from being drawn into air intake could result in personal injury.
	Keep Bystanders Away	Keep all bystanders at least 50 ft. (15m) away.
	Blower Tubes	Do not operate without tubes in place.
	Impeller Blades	Rotating impeller blades can cause severe injury.

SYMBOLS

The following signal words and meanings are intended to explain the levels of risk associated with this product.

SYMBOL	SIGNAL	MEANING
	DANGER	Indicates an imminently hazardous situation, which, if not avoided, will result in death or serious injury.
	WARNING	Indicates a potentially hazardous situation, which, if not avoided, could result in death or serious injury.
	CAUTION	Indicates a potentially hazardous situation, which, if not avoided, may result in minor or moderate injury.
	CAUTION	(Without Safety Alert Symbol) Indicates a situation that may result in property damage.

SERVICE

Servicing requires extreme care and knowledge and should be performed only by a qualified service technician. For service we suggest you return the product to your nearest **AUTHORIZED SERVICE CENTER** for repair. When servicing, use only identical replacement parts.

⚠ WARNING

To avoid serious personal injury, do not attempt to use this product until you have read this Owner's Manual thoroughly and understand it completely. If you do not understand the warnings and instructions in this Owner's Manual, do not use this product. Call the Toll-free Helpline (1-855-345-3934) for assistance.

⚠ WARNING



The operation of any power tool can result in foreign objects being thrown into your eyes, which can result in severe eye damage. Before beginning power tool operation, always wear safety goggles or safety glasses with side shields and, when needed, a full face shield. We recommend Wide Vision Safety Mask for use over eyeglasses or standard safety glasses with side shields. Always use eye protection which is marked to comply with ANSI Z87.1.

SAVE THESE INSTRUCTIONS

KNOW YOUR BLOWER

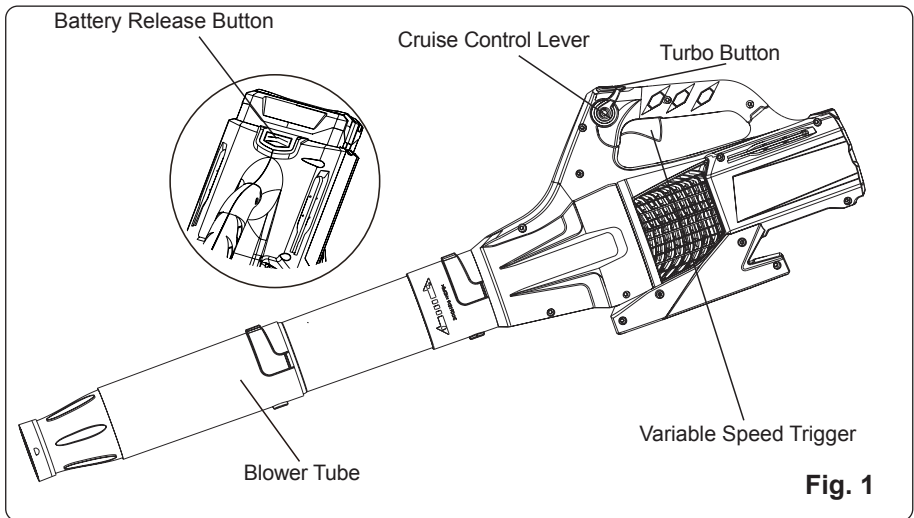


Fig. 1

KNOW YOUR BLOWER (See Figure 1.)

The safe use of this product requires an understanding of the information on the product and in this operator's manual as well as a knowledge of the project you are attempting. Before use of this product, familiarize yourself with all operating features and safety rules.

BLOWER TUBE

The blower tube can be easily installed on the blower without any additional tools.

VARIABLE SPEED TRIGGER

Starts/Stops the flow of air through the blower.

BATTERY RELEASE BUTTON

Releases the battery pack from the blower.

CRUISE CONTROL LEVER

Pull backwards on the Cruise Control Lever to engage and lock the trigger. Push forward on the Cruise Control Lever to release and disengage the trigger.

TURBO BUTTON

Press the Turbo Button to boost the speed. Release the turbo button to make the blower run at the normal speed.



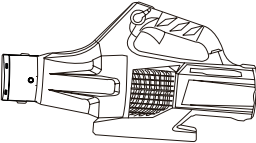

ASSEMBLY INSTRUCTION

UNPACKING

This product requires assembly.

- Carefully remove the product and any accessories from the box. Make sure that all items listed in the package contents section are included.
- Inspect the product carefully to make sure no breakage or damage occurred during shipping.
- Do not discard the packing material until you have carefully inspected and satisfactorily operated the product.
- If any parts are damaged or missing, please call (1-855-345-3934) for assistance.

PACKING LIST

PART NAME	FIGURE	QTY
Front Blower Tube		1
Rear Blower Tube		1
80V Axial Blower		1
Operator's Manual		1

⚠ WARNING

If any parts are damaged or missing, do not operate this product until the parts are replaced. Using a product with damaged or missing parts could result in serious personal injury.

⚠ WARNING

Do not attempt to modify this product or create accessories not recommended for use with this product. Any such alteration or modification is misuse and could result in a hazardous condition leading to possible serious personal injury.

⚠ WARNING

Do not insert the battery until assembly is complete. Failure to comply could result in accidental starting and possible serious personal injury.

ASSEMBLY INSTRUCTION

BATTERY

IMPORTANT! The battery pack is not charged when it is purchased. Before using the blower for the first time, place the battery pack in the battery charger and charge. Make sure to read all safety precautions, and follow the instructions in the Battery Charger section.

To Remove (See Figure 2.)

1. Press and hold the battery release button with firm grip.
2. Grasp the trigger handle firmly. Pull the battery pack out of the handle.

NOTE: The battery pack fits into the handle snugly in order to prevent accidental dislodging. It may require a strong pull to remove it.

To Install (See Figure 2.)

1. Align the tongue of the battery pack with the cavity in the handle housing.
2. Insert the battery into the battery opening until the battery release button locks into place.
3. Grasp the trigger handle firmly.
4. Push the battery pack into the handle until both sides lock. The latch button will click when locked into place.
5. Do not use force when inserting the battery pack. It should slide into place and click.

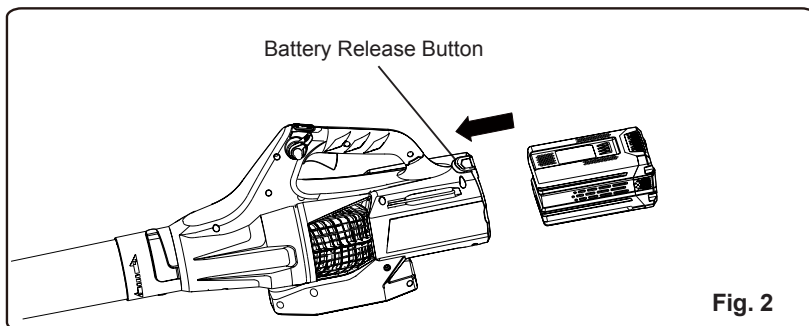


Fig. 2

⚠ WARNING

Follow these instructions in order to avoid injury and to reduce the risk of electric shock or fire:

- Replace the battery pack or the charger immediately if the battery case or charger cord is damaged.
- Verify that the switch is in the OFF position before inserting or removing the battery pack.
- Verify that the battery pack is removed and the switch is in the OFF position before inspecting, adjusting, or performing maintenance on any part of the blower.
- Read, understand, and follow the instructions contained in the section entitled Charging Procedure.

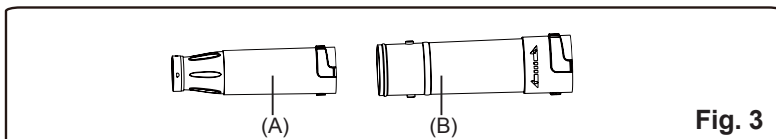
ASSEMBLY INSTRUCTION

BLOWER TUBE ASSEMBLY

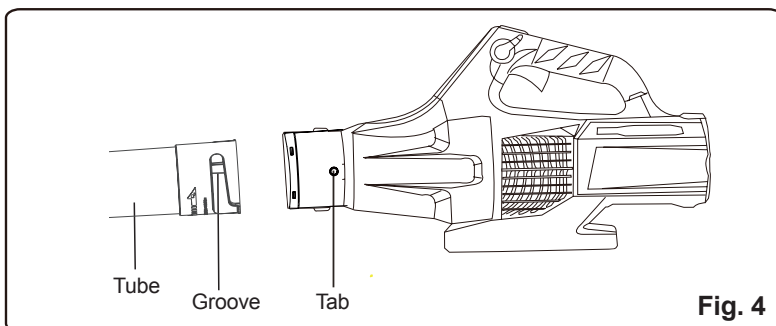
⚠ WARNING

To prevent accidental starting that could cause serious personal injury, always remove the battery pack from the tool when assembling parts.

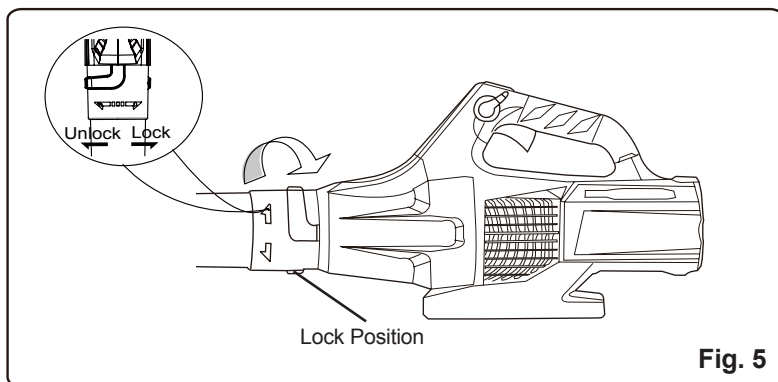
1. Connect tube (A) to tube (B). Twist clockwise until the tubes lock into position (See Figure 3).



2. Align either of the grooves in the tube with the tabs on the blower housing. Push the tube into the blower housing until the tab engages the grooves (See Figure 4).



3. Turn the tube in the direction of the arrow until both of the tabs slide into the lock positions (See Figure 5).



OPERATION

⚠ WARNING

Do not allow familiarity with this product to make you careless. Remember that a careless fraction of a second is sufficient to inflict serious injury.

⚠ WARNING

Always wear eye protection with side shields marked to comply with ANSI Z87.1, along with hearing protection. Failure to do so could result in objects being thrown into your eyes and other possible serious injuries.

⚠ WARNING

Do not use any attachments or accessories not recommended by the manufacturer of this product. The use of attachments or accessories not recommended can result in serious personal injury. Before each use, inspect the entire product for damaged, missing, or loose parts, such as screws, nuts, bolts, caps, etc. Securely tighten all fasteners and caps and do not operate this product until all missing or damaged parts are replaced.

APPLICATION

You may use this product for the purposes listed below:

- Clearing hard surfaces such as driveways and walkways.
 - Keeping decks and driveways free from leaves and pine needles.
-

CHARGE BEFORE FIRST USE.

⚠ WARNING

Always remove battery pack from the product when you are assembling parts, making adjustments, cleaning, or when not in use. Removing battery pack will prevent accidental starting that could cause serious personal injury.

OPERATION

STARTING/STOPPING THE BLOWER (See Figure 6)

- Ensure that the battery is installed in the blower.
- Squeeze the trigger to start the blower.
- Release the trigger to stop.

USING CRUISE CONTROL (See Figure 6)

This blower is equipped with a cruise control function. Please read and understand the function of the Cruise Control.

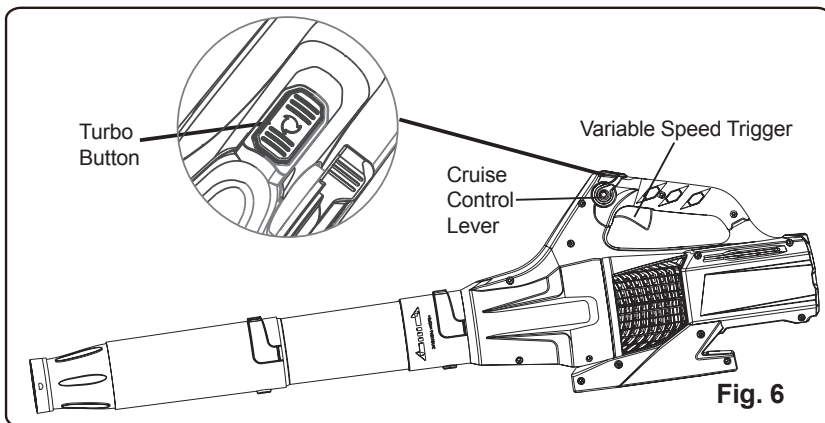
- Squeeze the trigger to start the unit.
- Once the unit is on, push back the lever clockwise to increase the speed. This will lock the speed at the desired setting.
- To decrease the speed, push the lever counter clockwise to decrease the speed to the desired setting.

NOTE: If you decrease the speed all the way, the unit will shut off and step one will need to be repeated.

USING TURBO BUTTON (See Fig 6.)

This blower is equipped with a turbo button. Please read and understand the function of the turbo button.

- Squeeze the switch trigger to start.
- To boost speed, press the turbo button so that the blower can be operated at the highest speed. Once the turbo button is released, the blower will be operated at the normal speed.



OPERATING THE BLOWER

- To keep from scattering debris, blow around the outer edges of a debris pile. Never blow directly into the center of a pile.
- To reduce sound levels, limit the number of pieces of equipment used at any one time.
- Use rakes and brooms to loosen debris before blowing. In dusty conditions, slightly dampen surfaces when water is available.
- Conserve water by using power blowers instead of hoses for many lawn and garden applications, including areas such as gutters, screens, patios, grills, porches, and gardens.
- Watch out for children, pets, open windows, or freshly washed cars, and blow debris safely away.
- After using blowers or other equipment, clean up. Dispose of debris properly.

ENVIRONMENTALLY SAFE BATTERY DISPOSAL

⚠ W A R N I N G

The following toxic and corrosive materials are in the batteries used in this blower battery pack: Lithium-Ion, a toxic material.



All toxic materials must be disposed of in a specified manner to prevent contamination of the environment. Before disposing of damaged or worn out Lithium-Ion battery packs, contact your local waste disposal agency, or the local Environmental Protection Agency for information and specific instructions. Take the batteries to a local recycling and/or disposal center, certified for lithium-ion disposal.

⚠ W A R N I N G

If the battery pack cracks or breaks, with or without leaks, do not recharge it and do not use. Dispose of it and replace with a new battery pack. **DO NOT ATTEMPT TO REPAIR IT!** To avoid injury and risk of fire, explosion, or electric shock, and to avoid damage to the environment:

- Cover the battery's terminals with heavy-duty adhesive tape.
 - DO NOT attempt to remove or destroy any of the battery pack components.
 - DO NOT attempt to open the battery pack.
 - If a leak develops, the released electrolytes are corrosive and toxic. DO NOT get the solution in the eyes or on skin, and do not swallow it.
 - DO NOT place these batteries in your regular household trash.
 - DO NOT incinerate.
 - DO NOT place them where they will become part of any waste landfill or municipal solid waste stream.
 - Take them to a certified recycling or disposal center.
-

TROUBLESHOOTING

PROBLEM	POSSIBLE CAUSE	SOLUTION
Motor fails to start when switch is depressed.	Battery is not secure. Battery is not charged.	Check to ensure the battery is fully connected to the blower. Press down on the battery until the latches click together. Charge the battery pack according to the instructions included with your model.
Unit will not start.	Defective power switch.	Return the unit to a repair center or call customer service at 1-855-345-3934.
Unit will not blow.	Blocked tube.	Clear the blockage.
Cruise Control Lever does not work.	The screw is loose.	Tighten the screw with a phillips head screwdriver.

LIMITED WARRANTY



GREENWORKS™ hereby warrants this product, to the original purchaser with **proof of purchase**, for a period of four (4) years against defects in materials, parts or workmanship. GREENWORKS™, at its own discretion will repair or replace any and all parts found to be defective, through normal use, free of charge to the customer. This warranty is valid only for units which have been used for personal use that have not been hired or rented for industrial/ commercial use, and that have been maintained in accordance with the instructions in the owners' manual supplied with the product from new.

Battery and charger carry a two (2) year warranty against defects in workmanship and materials. Batteries must be charged in accordance with the operator's manuals directions and regulations in order to be valid.

ITEMS NOT COVERED BY WARRANTY:

1. Any part that has become inoperative due to misuse, commercial use, abuse, neglect, accident, improper maintenance, or alteration; or
2. The unit, if it has not been operated and/or maintained in accordance with the owner's manual; or
3. Normal wear, except as noted below;
4. Routine maintenance items such as lubricants, blade sharpening;
5. Normal deterioration of the exterior finish due to use or exposure.

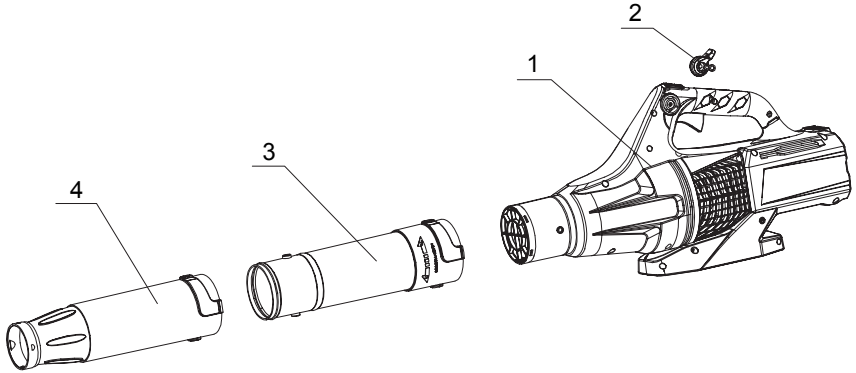
GREENWORKS HELPLINE (1-855-345-3934):

Warranty service is available by calling our toll-free helpline, 9 am to 5 pm EST. at **1-855-345-3934**.

TRANSPORTATION CHARGES:

Transportation charges for the movement of any power equipment unit or attachment are the responsibility of the purchaser. It is the purchaser's responsibility to pay transportation charges for any part submitted for replacement under this warranty unless such return is requested in writing by GREENWORKS.

EXPLODED VIEW



PARTS LIST

Item No.	Part No.	Description	Qty
1	3110171952	Housing Assembly	1
2	3110181952	Cruise Control Assembly	1
3	341061816	Upper Blower Tube	1
4	341071816	Lower Blower Tube	1

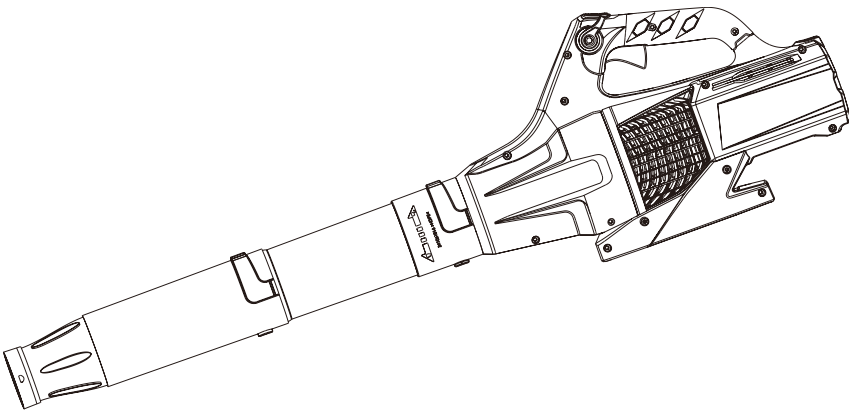


**Greenworks Tools
PO Box 1238
Mooresville, NC 28115**

TOLL-FREE HELPLINE: 1-855-345-3934




80V VENTILADOR INALÁMBRICO
AXIAL SIN ESC OBILLAS
BL80L00



Manual Del Propietario

Línea Gratuita Línea De Ayuda: 1-855-345-3934

www.greenworkstools.com/80V-PRO

 Leer todas las normas de seguridad y las instrucciones cuidadosas antes de utilizar esta herramienta.

ÍNDICE

Índice.....	2
Especificaciones del Producto.....	2
Información de Seguridad.....	3
Símbolos.....	7
Conozca su Soplador.....	9
Ensamblaje.....	10
Funcionamiento.....	13
Eliminación de Baterías sin Daño para el Ambiente.....	16
Resolución de Averías.....	17
Garantie Limitée.....	18
Diagrama de Componentes.....	19
Lista de Piezas.....	19

ESPECIFICACIONES DEL PRODUCTO

VENTILADOR AXIAL DE IÓN-LITIO DE 80V

Tipo.....	Inalámbrico, activado por baterías
Batería.....	80V (2.5 Ah) Lithium-Ion
Motor.....	80V Brushless
Volumen de aire (CFM).....	580 CFM
Velocidad del aire (MPH).....	145 MPH
Gatillo.....	Velocidad variable
Control de Velocidad.....	Sí
Tiempo de carga.....	40 Min
Peso (con batería).....	8.33 lbs (3.78 kg)
Peso (sin batería).....	5.41 lbs (2.45 kg)



INFORMACIÓN DE SEGURIDAD

LEA TODAS LAS INSTRUCCIONES ANTES DEL PRIMER USO (DEL APARATO)

⚠ ADVERTENCIA

Lea y comprenda todas las instrucciones antes de usar este producto. El incumplimiento de las instrucciones siguientes puede ser causa de descargas eléctricas, incendios y lesiones personales graves. Siempre se deben tomar precauciones básicas al usar aparatos eléctricos, incluidas las siguientes:

- No permita que se utilice como juguete. Es necesario prestar mucha atención cuando se utiliza cerca de niños.
 - Utilizar únicamente como se describe en este manual. Utilice sólo los complementos recomendados por el fabricante.
 - No coloque ningún objeto en las aberturas. No utilice con cualquier abertura bloqueada. Mantenga las aberturas libres de polvo, pelusas, pelo y cualquier cosa que pueda reducir el flujo de aire.
 - Mantenga el cabello, la ropa suelta, los dedos y todas las partes del cuerpo alejados de las aberturas y piezas móviles.
 - Tenga especial cuidado al limpiar en las escaleras.
 - No use el aparato para recoger líquidos combustibles o inflamables, tales como gasolina, ni en áreas donde estos puedan estar presentes.
 - No opere herramientas eléctricas en entornos explosivos, por ejemplo ante la presencia de líquidos, gases o aserrín inflamables. Las herramientas eléctricas producen chispas que podrían incendiar el aserrín o los vapores.
 - Evite el contacto corporal con superficies conectadas a tierra, como tuberías, radiadores, estufas y refrigeradores. Existe un mayor riesgo de descargas eléctricas si su cuerpo está conectado a tierra.
 - No utilice sobre superficies mojadas. No exponga a la lluvia. Almacenar en interior.
 - Almacene en interiores. No exponga a la lluvia o el agua, evite la luz solar directa.
 - No manipule el aparato con las manos mojadas.
 - No permita que los niños utilicen el equipo. No permita que ningún adulto utilice este equipo sin la debida instrucción.
 - Use siempre gafas de seguridad con pantallas laterales de conformidad con ANSI Z87.1. Los anteojos comunes sólo tienen lentes resistentes. NO son anteojos de seguridad. Siguiendo esta regla se reduce el riesgo de lesiones en los ojos. En caso de trabajar en un lugar polvoriento, utilice una mascarilla.
 - No permita que los niños utilicen el equipo. No permita que ningún adulto utilice este equipo sin la debida instrucción.
 - No fuerce la herramienta. Utilice la herramienta correcta para su aplicación. El aparato funcionará de manera más eficiente y segura si se utiliza según el ritmo para el que fue diseñado.
 - No utilice el equipo mientras está descalzo o cuando lleve sandalias o un calzado ligero similar. Utilice calzado de protección que proteja sus pies y mejore su agarre en superficies resbaladizas.
 - Recoja el cabello largo para que quede por encima del nivel de los hombros y evitar así que se enmarañe en cualquier pieza móvil.
 - Manténgase firme y equilibrado. No realice sobreesfuerzos. Una sobreextensión puede resultar en la pérdida del equilibrio.
 - No utilice la herramienta si el interruptor no enciende ni apaga. Cualquier herramienta que no puede ser controlada con el interruptor es peligrosa y debe ser reparada.
 - Las personas, niños y animales deberán estar a 50' (15 m) del aparato como mínimo.
 - No dirija la boquilla del soplador hacia personas o animales domésticos.
-

INFORMACIÓN DE SEGURIDAD

- Nunca utilice la unidad sin los accesorios correctos. Asegúrese siempre de que el tubo del soplador está instalado.
- Utilice solo baterías Greenworks: GBA80250, 2902402, 2902502, 2901302
- Utilice solo cargador Greenworks: 2901402
- No utilice este aparato si está cansado o si se encuentra bajo la influencia de drogas, alcohol o medicamentos.
- No trabaje con poca luz.
- Cuando no esté en uso, el producto debe guardarse en un lugar seco, bajo llave, fuera del alcance de los niños.
- Utilice las herramientas con cuidado. Mantenga el área de abanico limpia para que realicen un trabajo mejor y más seguro. Siga las instrucciones para un mantenimiento adecuado.
- Mantenga todas las partes de su cuerpo lejos de cualquier parte móvil y todas las superficies calientes de la unidad.
- Compruebe el área de trabajo antes de cada uso. Retire todos los objetos como rocas, cristales rotos, clavos, cables o cuerdas que puedan salir despedidos o quedar enganchados en la máquina.
- Este aparato tiene un doble aislamiento. Utilice solamente recambios originales. Lea las instrucciones para la reparación de los dispositivos de doble aislamiento.
- Utilice sólo piezas y accesorios de recambio del mismo fabricante. El uso de otras piezas puede ocasionar riesgos o daños en el producto.
- Retire la batería antes de conectar la herramienta.

PARA EL APARATO QUE FUNCIONA CON BATERÍA:

- No cargue la batería bajo la lluvia ni en lugares húmedos.
- No utilice aparatos que funcionan con batería bajo la lluvia.
- Quite o desconecte la batería antes del mantenimiento, limpieza o retirada de material del aparato.
- No tire la batería al fuego. La celda podría explotar. Compruebe la normativa local si existen instrucciones de desecho especiales.
- No abra ni desmonte la batería. El electrolito liberado es corrosivo y puede causar daño a los ojos o la piel. Puede ser tóxico si se ingiere.
- Utilice el aparato solo con baterías específicamente diseñadas para éste. Utilizar cualquier otro tipo de baterías puede causar lesiones o un riesgo de incendio.
- Tenga cuidado al manipular las baterías para que no se produzca ningún cortocircuito con materiales conductores como anillos, pulseras y llaves. La batería o el conductor pueden sobrecalentarse y provocar quemaduras.
- Evite la puesta en marcha accidental de la herramienta. Asegúrese de que el interruptor está en posición OFF antes de conectar la herramienta a una batería, y levantar o transportar el aparato. El transporte del aparato con el dedo sobre el interruptor o la conexión del aparato con el interruptor en ON puede causar accidentes.
- Desconecte la batería de la herramienta de alimentación antes de hacer cualquier ajuste, sustitución de accesorios, o almacenar el aparato. Estas medidas preventivas de seguridad reducen el riesgo de arranque accidental del aparato.
- Las herramientas de batería no necesitan estar enchufados a una toma de corriente; por lo tanto, están siempre en condiciones de funcionamiento. Sea consciente de los posibles riesgos cuando no utilice la herramienta a batería o al cambiar accesorios. Siguiendo esta regla reducirá el riesgo de descargas eléctricas, incendios o lesiones personales graves.
- Las baterías pueden explotar en presencia de una fuente de ignición, como un piloto. Para reducir el riesgo de lesiones personales graves, nunca use un producto inalámbrico en presencia de una llama expuesta. Si una batería explotase podría despedir desechos y productos químicos. Si se expusiera a estos, debería enjuagar las zonas expuestas con agua inmediatamente.

INFORMACIÓN DE SEGURIDAD

- No aplaste, golpee o dañe la batería. No utilice una batería o un cargador que se haya caído o haya recibido un golpe fuerte. Una batería dañada podría explotar. Deseche correctamente y de forma inmediata una batería que haya caído o que esté dañada.
- No intente limpiar una obstrucción de la herramienta sin haberle quitado la batería.
- No toque el enchufe ni ningún otro aparato con las manos mojadas.
- Recargue la unidad solamente con el cargador especificado por el fabricante.
- Recargue la unidad solamente con el cargador especificado por el fabricante. Podría haber un riesgo de incendio cuando se utilice un cargador con una batería para la que no está diseñado.
- No cargue la batería en exteriores.
- No queme el aparato, aunque esté muy dañada. Las baterías podrían explotar en contacto con el fuego.
- Cuando la batería no está en uso, manténgala alejada de otros objetos metálicos como clips, monedas, llaves, clavos, tornillos u otros objetos metálicos pequeños que puedan crear una conexión desde una terminal a otra. Si se produjese un cortocircuito en los terminales de la batería, éste podría causar quemaduras o un incendio.
- Bajo condiciones de uso o temperatura extrema, puede ocurrir fugas de las pilas. Si el líquido entra en contacto con la piel, lave inmediatamente con agua y jabón, luego neutralice con jugo de limón o vinagre. Si el líquido entra en sus ojos, lávelos con agua limpia durante al menos 10 minutos, y luego acuda a su médico. Si sigue estas indicaciones reducirá el riesgo de lesiones personales graves.
- No utilice una batería o apartado dañado o modificado. Las baterías dañadas o modificadas pueden comportarse de modo imprevisto que puede causar incendio, explosión o riesgo de lesión.
- No exponga ni las baterías ni el aparato al fuego ni a altas temperaturas. La exposición a temperaturas superiores a 265°F puede provocar una explosión.
- Para obtener mejores resultados, la herramienta debe cargarse en un lugar donde la temperatura sea superior a 42.8°F, pero inferior a 104°F. Para reducir el riesgo de lesiones personales graves, no almacene el producto al aire libre o en vehículos.
- Su producto debería ser reparado por personas cualificadas, que deberían utilizar únicamente piezas de repuesto idénticas. Esto garantizará la seguridad a la hora de utilizar el producto.
- No modifique y no intente reparar el aparato o la batería (según proceda) excepto lo indicado en las instrucciones para uso y mantenimiento.
- Guarde estas instrucciones. Consulte los manuales con frecuencia y facilíteselos a otras personas que puedan utilizar esta herramienta eléctrica. Si presta esta herramienta eléctrica, facilite también estas instrucciones.
- Siga todas las instrucciones de carga y no cargue la batería o aparato fuera del rango de temperaturas mencionado en las instrucciones. Cargar de forma inadecuada o con temperaturas fuera del rango especificados puede dañar la batería y aumentar el riesgo de incendio.

INFORMACIÓN DE SEGURIDAD

▲ ADVERTENCIA (PROPOSICIÓN 65)

El polvo creado por la arena a chorro, el aserrado, esmerilado, taladrado y otras actividades de la construcción podría contener productos químicos que se sabe provocan cáncer, defectos de nacimiento y otras lesiones reproductivas. Algunos ejemplos de estos productos químicos son:

- Plomo en pintura a base de plomo
- Sílice cristalino en ladrillos, cemento y otros productos de mampostería, y
- Arsénico y cromo de madera con tratamiento químico.

Su riesgo de exposición a estos productos químicos depende de la frecuencia en que efectúe este tipo de trabajo. Para reducir su exposición a estos productos químicos, trabaje en áreas bien ventiladas y use equipo de seguridad aprobado, tal como máscaras contra el polvo especialmente diseñadas para filtrar partículas microscópicas.

SEGURIDAD DE NIÑOS











Si el operador no se percata de la presencia de niños, se pueden generar accidentes trágicos.

- Mantenga a los niños alejados del área de trabajo y bajo el cuidado atento de un adulto responsable.
- No deje que niños menores de 14 años operen este recortador. Los niños de 14 años o más deben leer y comprender las instrucciones de funcionamiento y las reglas de seguridad de este manual y uno de sus padres les debe capacitar y supervisar.
- Manténgase alerta, y apague el recortador si un niño o cualquier otra persona ingresa al área de trabajo.
- Tenga extremo cuidado al acercarse a esquinas ciegas, entradas, arbustos, árboles u otros objetos que le pudieran obstruir la visión de niños, los cuales pudieran correr hacia el área de trabajo del recortador.

GUARDE ESTAS INSTRUCCIONES

SÍMBOLOS

Este producto podría contener algunos de los siguientes símbolos. Sírvase estudiarlos y aprender su significado. La comprensión apropiada de esos símbolos le permitirá operar mejor el producto y de una forma más segura.

SÍMBOLO	NOMBRE	DESIGNACIÓN/EXPLICACIÓN
V	Voltios	Voltaje
A	Amperios	Corriente
Hz	Hertz	Frecuencia (ciclos por segundo)
W	Vatios	Potencia eléctrica
min	Minutos	Tiempo
~	Corriente alterna	Tipo de corriente
≡	Corriente directa	Tipo o característica de la corriente
	Construcción Clase II	Construcción con doble aislamiento
/min	Por minuto	Revoluciones, carreras, velocidad superficial, órbitas, etc. por minuto
	Alerta de seguridad	Precauciones que involucran su seguridad.
	Lea el manual del operador	Para reducir el riesgo de lesiones el usuario debe leer y comprender el manual del operador antes de usar el producto.
	Utilice botas y ropa de seguridad	Use protección para los ojos con protectores laterales que cumpla con la ANSI Z87.1 al usar este producto.
	Use protección para los oídos.	Use protección ocular con la que la marca de cumplimiento de la norma ANSI Z87.1 al operar este equipo.
	Cabello largo	Si no se mantiene alejado el cabello largo de la entrada de aire se podrían provocar lesiones personales.
	Ropa suelta	Si no se evita que la ropa suelta sea succionada hacia la entrada de aire se podrían provocar lesiones personales.
	Mantenga alejados a los espectadores	Mantenga a todos los espectadores a 15 m. (50 pies) de distancia por lo menos.
	Tubos de soplado	No opere sin los tubos en su lugar.
	Palas del rotor	Las palas del rotor en movimiento pueden causar lesiones graves.

SÍMBOLOS

Los siguientes rótulos y significados se usan para explicar el nivel de riesgo relacionado con este producto.

SÍMBOLO	AVISO	SIGNIFICADO
	DANGER	Indica situaciones inminentemente peligrosas que, si no se evitan, resultan en la muerte o en lesiones serias.
	ADVERTENCIA	Indica situaciones potencialmente peligrosas que, si no se evitan, podrían resultar en la muerte o en lesiones serias.
	PRECAUCIÓN	Indica situaciones potencialmente peligrosas que, si no se evitan, podrían resultar en lesiones entre mínimas y moderadas.
	PRECAUCIÓN	(Sin el símbolo de alerta por seguridad) indica una situación que podría resultar en daños a la propiedad.

SERVICIO

Para dar servicio es necesario tener extremo cuidado y conocimiento, el servicio debe ser proporcionado solamente por técnicos de servicio calificados. Sugerimos que para dar servicio al producto lo regrese a su **CENTRO DE SERVICIO AUTORIZADO** más cercano para que lo reparen. Al dar servicio, use solamente repuestos idénticos.

ADVERTENCIA

Para evitar lesiones personales graves, no trate de usar este producto antes de haber leído completamente el presente Manual del Propietario y haberlo comprendido en su totalidad. Si no comprende las advertencias y las instrucciones que aparecen en el presente Manual del Propietario, no use el producto. Llame gratis al (1-855-345-3934) para recibir ayuda.

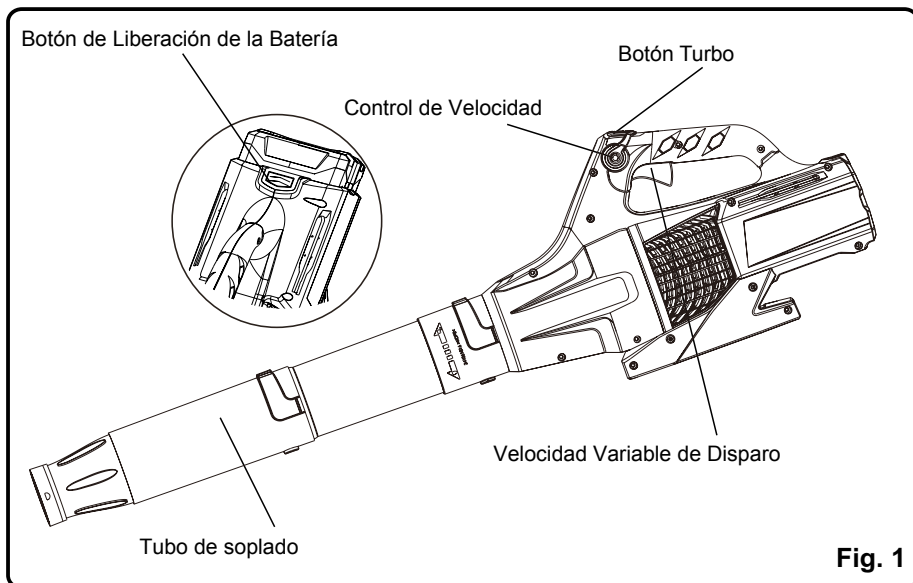
ADVERTENCIA



Toda herramienta eléctrica al funcionar puede lanzar objetos extraños hacia sus ojos, lo que podría provocarles lesiones graves. Antes de comenzar el funcionamiento de una herramienta eléctrica, use siempre gafas de seguridad o gafas de seguridad con protecciones laterales y, si es necesario, una careta completa. Recomendamos usar caretas de seguridad con rango visual ancho encima de gafas de seguridad estándar, o usar gafas de seguridad estándar con protecciones laterales. Use siempre protección para los ojos con viñetas que indiquen que cumplen ANSI Z87.1.

GUARDE ESTAS INSTRUCCIONES

CONOZCA SU SOPLADOR



CONOZCA SU SOPLADOR (Vea la figura 1)

Para usar con seguridad este producto es necesario comprender la información que se presenta en el producto y en el presente manual del operador, así como tener conocimiento del proyecto que se intenta efectuar. Antes de usar este producto, familiarícese con todas las características de funcionamiento y las reglas de seguridad.

TUBO DE SOPLADO

Se puede instalar fácilmente el tubo de soplado en el soplador sin herramientas adicionales.

VELOCIDAD VARIABLE DE DISPARO

Inicia / Detiene el flujo de aire a través del ventilador.

BOTÓN DE SALIDA DE LA BATERÍA

Desbloquee la batería del soplador.

INTERRUPTOR DE CONTROL DE VELOCIDAD

Girar hacia atrás el interruptor de control de velocidad para bloquear el gatillo. Girar hacia delante el interruptor control de velocidad para desbloquear el gatillo.

BOTÓN TURBO

Pulse el botón Turbo para aumentar la velocidad. Suelte el botón Turbo para que el soplador funcione a velocidad normal.



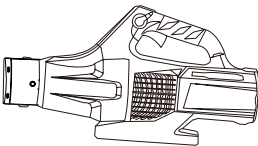

ENSAMBLAJE

DESEMBALAJE

Es necesario montar este producto.

- Retire con cuidado el producto y los accesorios de la caja. Asegúrese de que están incluidos todos los elementos que figuran en la lista del paquete de embalaje
- Revise el producto con atención para asegurarse de que no se produjeron daños o roturas durante el transporte.
- No tire el material de embalaje hasta que haya revisado con atención y haya utilizado el producto de manera satisfactoria.
- Si falta alguna parte dañada o se encuentra dañada, llame al 1-855-345-3934 para que le proporcionen asistencia.

LISTA DE PIEZAS

NOMBRE DE	FIGURA	QTD
Tubo frontal del ventilador		1
Tubo trasero del ventilador		1
80 V Conjunto del ventilador		1
Manual de instrucciones		1

⚠️ A D V E R T E N C I A

Si faltan piezas o estas están dañadas, no opere este producto hasta reemplazar dichas piezas. El uso de este producto con piezas dañadas o faltantes podría provocar lesiones personales graves.

⚠️ A D V E R T E N C I A

No intente modificar este producto ni crear accesorios que no estén recomendados para usar con este soplador. Cualquier alteración o modificación de ese tipo representa mal uso y puede generar condiciones peligrosas que causen posibles lesiones personales graves.

⚠️ A D V E R T E N C I A

No coloque la batería hasta completar el ensamblaje. De lo contrario la unidad puede ponerse en marcha accidentalmente, con el consiguiente riesgo de lesiones serias.

ENSAMBLAJE

BATERÍA

IMPORTANTE! El paquete de baterías no está cargado al momento de la compra. Antes de usar el soplador por primera vez, coloque el paquete de baterías en el cargador de baterías y cárguelo completamente. Asegúrese de leer todas las precauciones de seguridad y de seguir las instrucciones en la sección titulada Procedimiento para cargar.

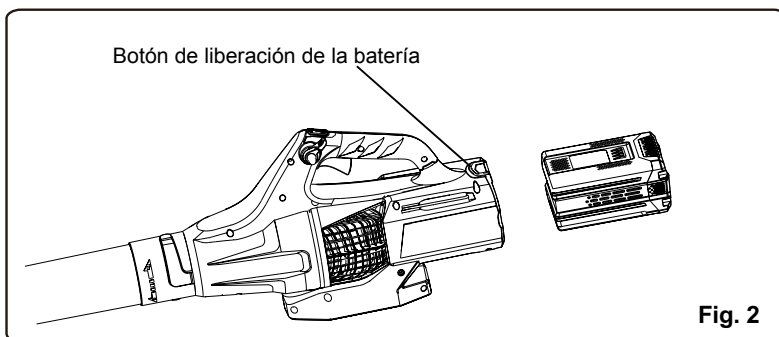
Para sacarlo (vea la figura 2)

1. Mantenga pulsado el botón de apertura de la batería sujetándolo con firmeza.
2. Sujete firmemente el mango. Retire la batería de la empuñadura.

NOTA: El paquete de baterías encaja cómodamente en la manija para evitar que se salga accidentalmente. Podría ser necesario tirar fuertemente de él para sacarlo.

Para insertarlo (vea la figura 2)

1. Alinee la lengüeta del paquete de baterías con el hueco en la carcasa del soplador.
2. Presione el paquete de baterías hasta que calce a presión en su posición.
3. Agarre firmemente el soplador.
4. Empuje la batería en el mango hasta que ambos lados se bloquean. El botón de cierre hace clic una vez cerrado en su lugar.
5. No use fuerza al colocar el paquete de baterías. Deberá llegar a su posición y chasquear.



⚠ ADVERTENCIA

Siga estas instrucciones para evitar lesiones y reducir el riesgo de choques eléctricos e incendio:

- Reemplace el paquete de baterías o el cargador inmediatamente si la caja de la batería o el cordón del cargador se han dañado.
- Antes de insertar y de sacar el paquete de baterías, compruebe que el interruptor se encuentre en la posición apagada.
- Compruebe que se ha quitado el paquete de baterías y que el interruptor se encuentra en la posición de apagado antes de inspeccionar, ajustar o efectuar trabajos de mantenimiento en cualquier parte del soplador.
- Lea, comprenda y cumpla las instrucciones que aparecen en la sección titulada Procedimiento para cargar.

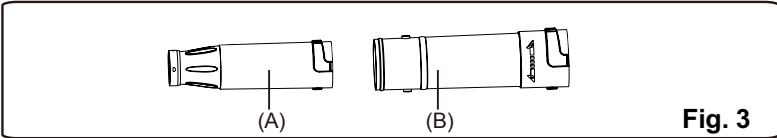
ENSAMBLAJE

MONTAJE DEL TUBO DEL SOPLADOR

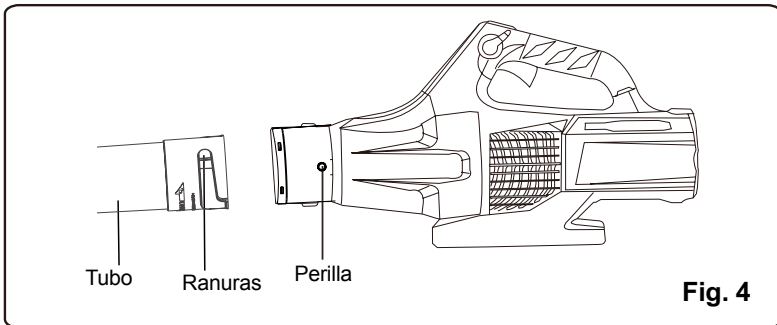
⚠ ADVERTENCIA

Para evitar un arranque accidental que podría causar lesiones corporales serias, retire siempre la batería de la herramienta al ensamblar las piezas.

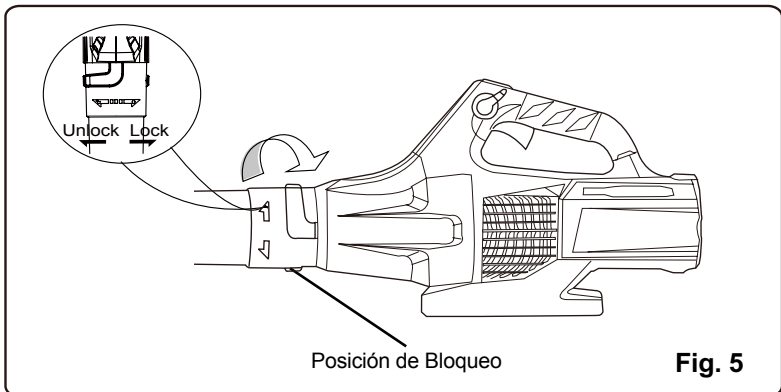
1. Conecte el tubo (A) al tubo (B). Gire en el sentido de las agujas del reloj hasta que los tubos encajen en su posición. (vea la figura 3)



2. Alinee cualquiera de las ranuras en el tubo con la perilla en la carcasa del soplador. Empuje el tubo hacia la carcasa del soplador hasta que la perilla se enganche en las ranuras (vea la figura 4).



2. Gire el tubo en dirección de la flecha hasta que ambas perillas se deslicen a las posiciones de bloqueo (vea la figura 5).



FUNCIONAMIENTO

⚠ A D V E R T E N C I A

Preste especial atención aunque esté familiarizado con el producto. Recuerde que un despiste de una sola fracción de segundo es suficiente para causar daños graves.

⚠ A D V E R T E N C I A

Use siempre gafas de protección con protección lateral que cumplan la normas ANSI Z87.1, junto con protección auditiva. Si no sigue estas recomendaciones, podrían entrar objetos extraños en los ojos y podría sufrir otras lesiones graves.

⚠ A D V E R T E N C I A

No utilice conexiones ni accesorios que no estén recomendados por el fabricante de este producto. El uso de conexiones o accesorios no recomendados podría causar graves daños personales. Antes de cada uso, inspeccione todo el producto para comprobar si hay piezas dañadas, extraviadas o sueltas como tornillos, tuercas, pernos, tapas, etc. Apriete bien todos los tornillos y las tapas y no haga funcionar el producto hasta que todas las partes que faltan o dañadas sean reemplazadas.

APLICACIÓN

Puede utilizar este producto para los fines que figuran a continuación:

- Mantenga despejadas las superficies duras, como entradas para coches y senderos.
- Mantenga siempre las cubiertas y orificios de entrada libres de hojas y agujas de pino.

CÁRGUELO ANTES DE USARLO POR PRIMERA VEZ.

⚠ A D V E R T E N C I A

Retire siempre la batería del producto cuanto esté instalando piezas, haciendo ajustes, limpiándolo o cuando no esté en uso. Retirar la batería evitará un arranque accidental que puede provocar lesiones personales graves.

FUNCIONAMIENTO

ARRANCAR/DETERENER EL SOPLADOR (Vea la figura 6)

- Asegúrese de que la batería está instalada en el soplador.
- Accione el interruptor de encendido.
- Para variar la velocidad gire gradualmente el gatillo.

INTERRUPTOR DE CONTROL DE VELOCIDAD (Vea la figura 6)

Este soplador dispone de un dispositivo de control de velocidad. Por favor lea las instrucciones de la función de control de velocidad.

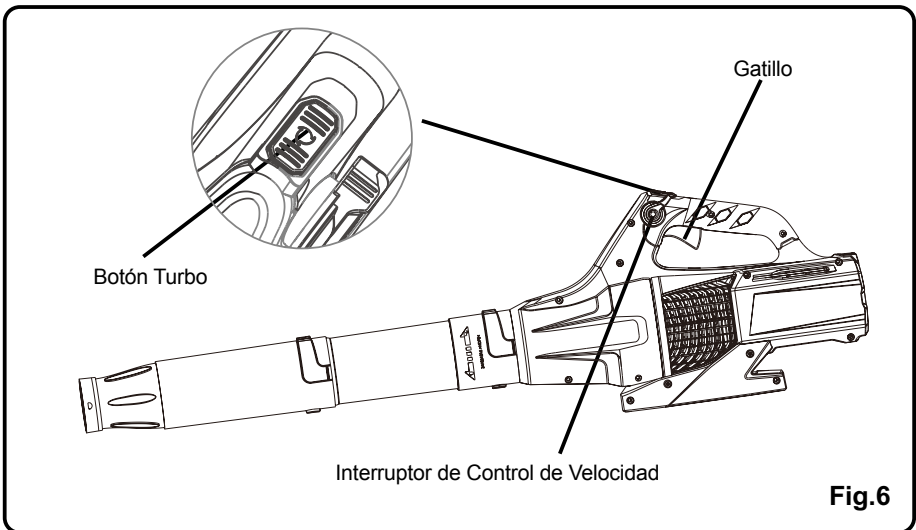
- Apriete el botón para arrancar la unidad.
- Una vez encendido, gire hacia atrás el interruptor en el sentido de las agujas del reloj para aumentar la velocidad. De este modo fijará la velocidad en el grado deseado.
- Para reducir la velocidad, gire el interruptor en el sentido contrario a las agujas del reloj hasta el nivel deseado.

NOTA: si disminuye la velocidad de todo, el soplador se apagará y tendrá que repetir el paso uno.

USO DEL BOTÓN TURBO (Vea la figura 6)

Este soplador dispone de un botón turbo. Por favor lea las instrucciones de la función del botón turbo.

- Accione el interruptor de encendido.
- Para aumentar la velocidad, pulse el botón Turbo para que el soplador funcione a la máxima velocidad. Cuando suelte el botón Turbo, el soplador funcionará a la velocidad normal.



FUNCIONAMIENTO

FUNCIONAMIENTO DEL SOPLADOR

- Para evitar la dispersión de los escombros, dirija el soplador hacia los bordes exteriores de un montón de escombros. Nunca dirija el soplador directamente al centro de un montón de escombros.
- Para reducir los niveles de ruido, limite el número de piezas del equipo que se utilicen al mismo tiempo.
- Use rastrillos y escobas para esparcir los desechos antes de utilizar el soplador. En condiciones de polvo, humedezca ligeramente la superficie cuando haya agua disponible.
- Ahorre agua utilizando sopladores en lugar de mangueras para muchas aplicaciones de césped y jardín, incluyendo áreas tales como canalones, pantallas, enrejados, barbacoas, porches y jardines.
- Preste especial atención a los niños, mascotas, ventanas abiertas, o coches recién lavados, cuando vaya a utilizar el soplador. Después de usar sopladores u otros equipos, limpie la zona. Deshágase de los desechos adecuadamente.
- Después de usar sopladores u otros equipos, limpie la zona. Deshágase de los desechos adecuadamente.

ELIMINACIÓN DE BATERÍAS SIN DAÑO PARA EL AMBIENTE

⚠️ ADVERTENCIA

Las baterías utilizadas en este cortasetos contienen los siguientes materiales tóxicos y corrosivos: Litio-ión, un material tóxico.



Todos los materiales tóxicos deben ser desechados de forma específica para evitar contaminar el medio ambiente. Antes de desechar una batería de litio-ión estropeada o gastada, póngase en contacto con el organismo encargado del tratamiento de residuos más próximo o con su agencia de protección medioambiental para informarse y solicitar instrucciones específicas. Recicle las baterías en un centro o dispositivo adecuado, autorizado para el tratamiento del Litio-ión.

⚠️ ADVERTENCIA

Si la batería se agrieta o se rompe, con o sin escapes, no la recargue ni la utilice.

Deséchela y sustitúyala por una batería nueva. ¡NO INTENTE REPARARLA!

Para evitar lesiones y riesgos de incendio, explosión o shock eléctrico, así como dañar el medio ambiente:

- Cubra los terminales de la cubierta de la batería con cinta adhesiva resistente.
- NO intente retirar ni destruir componentes de la batería.
- NO intente abrir la batería.
- Si aparece una grieta, los electrolitos que se liberan son corrosivos y tóxicos. NO permita que la solución entre en contacto con los ojos o la piel y no la ingiera.
- NO tire estas baterías a la basura.
- NO las incinere.
- NO las ponga donde puedan acabar en el basurero o en una línea de tratamiento de residuos municipal.
- Llévelas a un centro oficial de reciclaje o recogida de desechos.

RESOLUCIÓN DE AVERÍAS

PROBLEMA	CAUSAS POSIBLES	SOLUCIONES
El motor no arranca cuando está pulsado el gatillo interruptor.	La batería no está bien colocada. La batería no tiene carga.	Para asegurar la batería, asegúrese de que los pestillos superiores del pack de la batería encajan en su lugar. Cargue la batería según las instrucciones incluidas con su modelo.
La unidad no arranca.	La batería no tiene carga.	El interruptor debe ser sustituido por un centro de reparación autorizado (1-855-345-3934).
La herramienta arrancará, pero no fluirá aire a través del tubo.	Tubo bloqueado.	Desaloje la obstrucción.
La palanca de control de crucero no funciona.	El tornillo está suelto.	Apriete el tornillo con un destornillador de cruz.

GARANTIE LIMITÉE



Por este medio y por un período de cuatro años GREENWORKS™ garantiza este producto contra defectos en materiales, piezas o mano de obra al comprador original que cuente con una prueba de compra. GREENWORKS™, a su sola discreción reparará o reemplazará, sin costo alguno para el cliente, cualquier pieza defectuosa, siempre y cuando se haya hecho uso normal de ella. Esta garantía es válida solamente para unidades utilizadas de manera personal y que no hayan sido utilizadas o alquiladas para uso industrial o comercial, y que hayan recibido mantenimiento de acuerdo a las instrucciones que aparecen en el manual del propietario que se suministró con el producto nuevo.

La batería tiene dos (2) años de garantía contra defectos de fabricación y materiales. Las baterías deben ser cargadas de acuerdo con las instrucciones del manual de usuario y la normativa en vigor para ser válida.

ARTÍCULOS QUE NO CUBRE LA GARANTÍA:

1. Cualquier pieza que se haya vuelto inoperante debido a mal uso, uso comercial, abuso, descuido, accidente, mantenimiento inapropiado o alteración; o
2. La unidad, si no ha sido operada o si no se le ha dado mantenimiento de acuerdo al manual del propietario; o
3. Desgaste normal, excepto según se indica a continuación;
4. Artículos de mantenimiento rutinario tales como lubricantes, afilado de cuchillas;
5. Deterioro normal del acabado exterior debido al uso y la exposición al entorno.

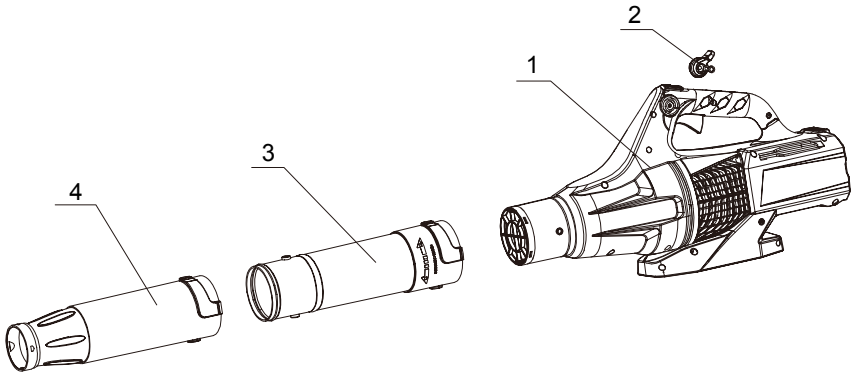
LÍNEA TELEFÓNICA PARA AYUDA DE 1-855-345-3934:

Se puede obtener servicio relacionado con la garantía llamando de lunes a viernes el **1-855-345-3934**.

CARGOS DE TRANSPORTE:

Los cargos de transporte por el traslado de cualquier unidad de equipo o accesorio eléctrico son responsabilidad del comprador. El comprador es responsable de pagar los cargos de transporte de cualquier pieza presentada para reemplazo de acuerdo a esta garantía a menos que GREENWORKS solicite por escrito tal retorno.

DIAGRAMA DE COMPONENTES



LISTA DE PIEZAS

ARTICULO NO.	PIEZA NO.	DESCRIPCIÓN	CANTIDAD
1	3110171952	Conjunto de la Carcasa	1
2	3110181952	Interruptor de Control de Velocidad	1
4	341061816	Tubo Superior del Soplador	1
5	341071816	Tubo Inferior del Soplador	1



**Greenworks Tools
PO Box 1238
Mooreville, NC 28115**

Línea Gratuita Línea De Ayuda: 1-855-345-3934

Rev: 00 (12-09-16)



Impreso en China en el 100% de papel reciclado