



SCALE: A5

技术要求：

1. 材质要求：60g双胶纸；
2. 36P, 内容见电子档；
3. 要求无色差、无污点；
4. 骑马钉，裁切均匀、无连页；
5. 以封样为准；
6. 料件需符合格力博HSF文件(编号：GLB-CGR-146) 里关于环保和有害物质的具体要求。

版本号

B2

重要度等级

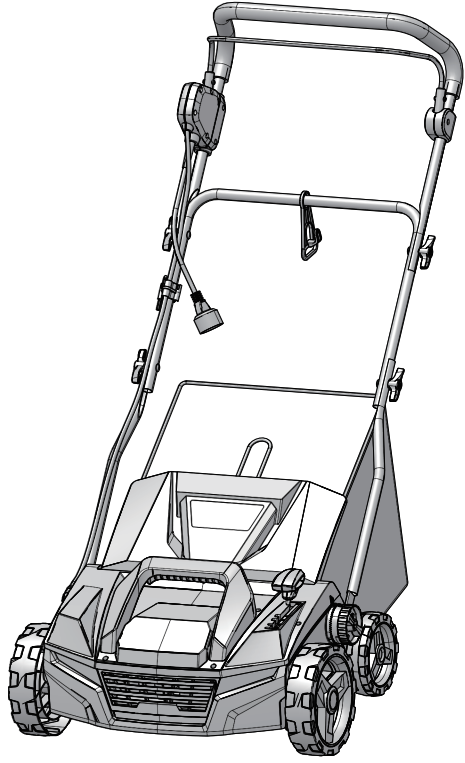
B

日期

					说明书				常州格力博集团			
									GW AC Scarifier			
@	1	调高图片更新	许乃鑫	21.03.09					2533502			
@	1	附件更新 轮子尺寸	许乃鑫	20.12.25								
		标记处数	更改文件号	签名	日期					ERP号		
设计	许乃鑫	标准化	王小妮	阶段标记	视角标记	重量	比例					
校对	陈丽	审定		S	A	B						
审核	周艳	批准	李海平	共 1 张		第 1 张						
工艺		日期	20.12.18									

greenworks

EN	Dethatcher	OPERATOR MANUAL
FR	Déchaumeur	MANUEL D'UTILISATION
ES	Escarificador	MANUAL DEL OPERADOR



DHA103

www.greenworkstools.com

1	Description.....	4	3.5	Set the blade height.....	8
1.1	Purpose.....	4	4	Operation.....	8
1.2	Overview.....	4	4.1	Start the machine.....	9
1.3	Packing list.....	4	4.2	Stop the machine.....	9
2	Read all instructions.....	4	4.3	Use the cord retainer.....	9
2.1	General Operation.....	4	4.4	Empty the grass catcher.....	9
2.2	Symbols on the product.....	5	5	Maintenance.....	10
2.3	Risk levels.....	6	5.1	General maintenance.....	10
2.4	Children and Bystanders.....	6	5.2	Replace the cylinder.....	10
2.5	Electrical.....	6	5.3	Store the machine.....	10
2.6	Proposition 65.....	7	6	Troubleshooting.....	10
3	Installation.....	7	7	Technical data.....	11
3.1	Unpack the machine.....	7	8	Limited warranty.....	11
3.2	Install the lower handle.....	7	9	Exploded view.....	12
3.3	Install the upper handle.....	8			
3.4	Install the grass catcher.....	8			

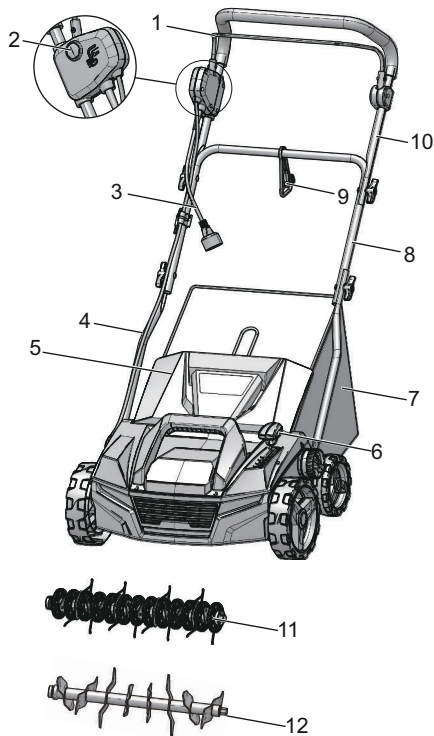
1 DESCRIPTION

1.1 PURPOSE

This scarifier machine is intended for private use in home and garden environments. The included blade cylinder is designed to rip moss, weeds, and their root systems out of the soil while also loosening the soil to promote better lawn growth.

This machine can be easily converted to a lawn dethatcher in just a few steps using the additional included tine cylinder.

1.2 OVERVIEW



- 1 Bail switch
- 2 Start button
- 3 Power cable
- 4 Lower handle
- 5 Rear discharge door
- 6 Depth adjustment lever
- 7 Grass catcher
- 8 Middle handle
- 9 Cord retainer
- 10 Upper handle
- 11 Tine cylinder

- 12 Blade cylinder

1.3 PACKING LIST

- 1 Scarifier/Dethatcher
- 2 Grass catcher
- 3 Handle fasteners
- 4 Cable clips
- 5 Tine cylinder

2 READ ALL INSTRUCTIONS

▲ DANGER

This machine was built to be operated according to the rules for safe operation included in this manual. As with any type of power equipment, carelessness or error on the part of the operator can result in serious injury. This machine is capable of amputating hands and feet and throwing objects. Failure to observe all safety instructions could result in serious injury or death.

▲ WARNING

When using electric scarifiers or dethatchers, basic safety precautions should always be followed to reduce the risk of fire, electric shock, and personal injury. These basic precautions include the following:

2.1 GENERAL OPERATION

▲ WARNING

The term "appliance" in the warnings refers to your corded power tool, dethatcher or scarifier. When using electric gardening appliances, basic safety precautions should always be followed to reduce the risk of fire, electric shock, and personal injury, including the following:

- Carefully read all instructions on the appliance and in the manual before attempting to assemble and operate the machine. Keep this manual in a safe place for future reference, and consult it regularly.
- Become familiar with all controls and their proper operation. Know how to stop the appliance and how to disengage the power in an emergency.
- Do not allow children under the age of 14 to operate this appliance. Children who are 14 years of age and older must read and understand the operating instructions and the safety rules in this manual, and must be trained and supervised by a parent.
- Avoid dangerous conditions. Do not use in wet or damp areas or expose to rain.
- Do not use in the presence of flammable liquids or gases.
- Dress for safety. Do not wear loose clothing, gloves, neckties, or jewelry (rings, watches, etc.) when operating tool. Loose clothing can get caught and pull you into moving parts. Use of rubber gloves and substantial footwear is recommended when working outdoors. Wear protective hair covering to contain long hair..









- In order to prevent electric shock, use this appliance only with a CSA/UL listed extension cord that is approved for outdoor use, such as Type SW, SOW, STW, STOW, SJW, SJOW, SJTW, or SJTOW.
- Extension Cord: Verify that the extension cord is in good condition, is the proper gauge to carry the current that your appliance will draw, and is polarized (one blade of the plug is wider than the other). A 25 ft (7.6 m) extension cord should be of 14 gauge, a 50 ft (15 m) extension cord should be 12 gauge. Undersized cords cause a drop in the line voltage, which leads to a loss of power and overheating.
- Always wear eye protection.
- Use Right Tool – Do not use appliance for any job except that for which it is intended. Always remove the power cord plug from the electric outlet when making adjustments, changing parts, or cleaning.
- Avoid accidental start-ups. Make sure the power switch is in the off position before plugging in the power cord. Ground Fault Circuit Interrupter (GFCI) protection should be provided on the circuit(s) or outlet(s) to be used for the dethatcher. Receptacles are available having built-in GFCI protection and may be used for this measure of safety.
- Do not abuse the power cord. Do not use it to carry the dethatcher. Keep cord away from heat, oil, sharp edges, or moving parts. Replace damaged cords immediately; they may create a shock or fire hazard.
- Avoid Unintentional Starting – Don't carry plugged-in dethatcher with finger on switch. Be sure switch is off when plugging in.
- Never leave a running tool unattended. Turn the power switch to off. Do not leave the dethatcher until it has come to a complete stop.
- Don't Force Appliance – It will do the job better and with less likelihood of a risk of injury at the rate for which it was designed.
- Stay Alert – Watch what you are doing. Use common sense. Do not operate the dethatcher when you are tired.
- Do not overreach. Keep proper footing and balance at all times.
- Disconnect Appliance. Disconnect the dethatcher from their power supplies when not in use, prior to servicing and when changing accessories such as blades, tines and cylinders etc.
- Keep all safety devices in place.
- Know locations and functions of all controls.
- Maintain the Appliance With Care – Keep cutting edge sharp and clean for best performance and to reduce the risk of injury. Follow instructions for lubricating and changing accessories. Inspect appliance cord periodically, and if damaged, have it repaired by an authorized service facility. Inspect extension cords periodically and replace if damaged. Keep handles dry, clean, and free from oil and grease. Always keep the dethatcher clean and in good working order.
- Check Damaged Parts – Before further use of the appliance, a guard or other part that is damaged should be






carefully checked to determine that it will operate properly and perform its intended function. Check for alignment of moving parts, binding of moving parts, breakage of parts, mounting, and any other condition that may affect its operation. A guard or other part that is damaged should be properly repaired or replaced by an authorized service center unless indicated elsewhere in this manual.

- Keep hands away from blades.

2.2 SYMBOLS ON THE PRODUCT




Some of the following symbols may be used on this mower. Please study them and learn their meaning. Proper interpretation of these symbols will allow you to operate the mower better and safer.

Symbol	Name	Explanation
V	Volt	Voltage
A	Amperes	Current
Hz	Hertz	Frequency (cycles per second)
W	Watt	Power
min	Minutes	Time
/min	Per Minute	Revolutions, strokes, surface speed, orbits etc., per minute
	Alternating Current	Type of current
	Direct Current	Type or a characteristic of current
n_0	No Load Speed	Rotational speed, at no load
	Safety Alert	Precautions that involve your safety.
	Eye Protection	Always wear eye protection with side shields marked to comply with ANSI Z87.1 when operating this equipment.
	WARNING --- Wet Conditions	Do not expose the product to rain or moist conditions.
	Read Operator's Manual	To reduce the risk of injury, user must read and understand operator's manual before using this product.
	Maintain Safety Devices	Do not open or remove safety devices while the tool is running.
	Look Behind While Backing	Look down and behind first to avoid tripping when pulling back.

Symbol	Name	Explanation
	DANGER --- Keep Hands and Feet Away	To reduce the risk of injury, keep hands and feet away from rotating parts. Do not operate unless discharge cover or grass bag is in its proper place. If damaged, replace immediately.
	DANGER --- Keep Bystand- ers Away	All visitors should be kept at a distance from work area.
	DANGER --- Thrown Debris	Remove objects that can be thrown by the blade in any direction. Wear safety glasses.
	DANGER --- Steep Slope Hazard	Use extra caution on slopes. do not mow slopes greater than 15 degrees.
	DANGER --- Keep Feet Away	Keep feet away from the rotating cylinder.

2.3 RISK LEVELS

The following signal words and meanings are intended to explain the levels of risk associated with this product.

SYM- BOL	SIGNAL	MEANING
	DANGER	Indicates an imminently hazardous situation, which, if not avoided, will result in death or serious injury.
	WARNING	Indicates a potentially hazardous situation, which, if not avoided, could result in death or serious injury.
	CAUTION	Indicates a potentially hazardous situation, which, if not avoided, may result in minor or moderate injury.
	CAUTION	(Without Safety Alert Symbol) Indicates a situation that may result in property damage.

2.4 CHILDREN AND BYSTANDERS

Tragic accidents can occur if the operator is not alert to the presence of children or bystanders.

- Keep the area of operation clear of all persons, particularly small children, and pets.
- Use extreme care when approaching blind corners, doorways, shrubs, trees, or other objects that may obscure your vision of a child or bystander. Keep children, bystanders, helpers and pets at least 100 feet (30m) from

the mower while it is in operation. Stop the machine if anyone enters the area.

- Never allow children under 14 years old to operate a power mower. Operators 14 years old and over should fully read and understand the operator's manual and safety rules. Only responsible individuals who are familiar with these rules of safe operation should be allowed to use this machine.

2.5 ELECTRICAL

▲ WARNING

The double insulated system is intended to protect the user from shock resulting from a break in the tool's internal insulation. Observe all normal safety precautions to avoid electrical shock.

Electrical connection

This product has a precision-built electric motor. It should be connected to a power supply that is 120 V, AC only (normal household current), 60 Hz. Do not operate this product on direct current (DC). A substantial voltage drop will cause a loss of power and the motor will overheat. If the product does not operate when plugged into an outlet, double-check the power supply.

Extension cords

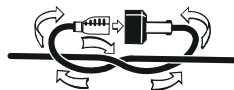
When using a power tool at a considerable distance from a power source, be sure to use an extension cord that has the capacity to handle the current the product will draw. An undersized cord will cause a drop in line voltage, resulting in overheating and loss of power. Use the chart to determine the minimum wire size required in an extension cord. Only round jacketed cords listed by Underwriter's Laboratories (UL) should be used.

When working outdoors with a product, use an extension cord that is designed for outside use. This type of cord is designated with "W-A" or "W" on the cord's jacket.

Before using any extension cord, inspect it for loose or exposed wires and cut or worn insulation.

A proper extension cord is available at an authorized service center.

It is possible to tie the extension cord and power cord in a knot to prevent them from becoming disconnected during use. Make the knot as shown in the figure, then connect the plug end of the power cord into the receptacle end of the extension cord. This method can also be used to tie two extension cords together.



Minimum Gauge for Extension Cords (AWG)

(when using 120 V only)

Amp Rating		Total Length of Cord in Feet (meters)			
More Than	Not More Than	25' (7.6 m)	50' (15 m)	100' (30 m)	150' (45m)
0	6	18	16	16	14
6	10	18	16	14	12
10	12	16	16	14	12
12	16	14	12	Not Recommended	

Keep the extension cord clear of the working area. Position the cord so that it will not get caught on lumber, tools, or other obstructions while you are working with a power tool. Failure to do so can result in serious personal injury.

Check extension cords before each use. If damaged replace immediately. Never use the product with a damaged cord since touching the damaged area could cause electrical shock resulting in serious injury.

2.6 PROPOSITION 65

▲ WARNING

This product contains a chemical known to the state of California to cause cancer, birth defects or other reproductive harm. Some dust created by power sanding, sawing, grinding, drilling, and other construction activities contains chemicals known to cause cancer, birth defects or other reproductive harm. Some examples of these chemicals are:

- Lead from lead-based paints;
- Crystalline silica from bricks and cement and other masonry products;
- Arsenic and chromium from chemically treated lumber.

Your risk of exposure to these chemicals varies depending on how often you do this type of work. To reduce your exposure to these chemicals, work in a well-ventilated area, and work with approved safety equipment, such as dust masks that are specially designed to filter out microscopic particles.

Save these instructions.

3 INSTALLATION

▲ WARNING

Before you assemble the machine, read and understand the safety chapter and the installation instructions.

3.1 UNPACK THE MACHINE

▲ WARNING

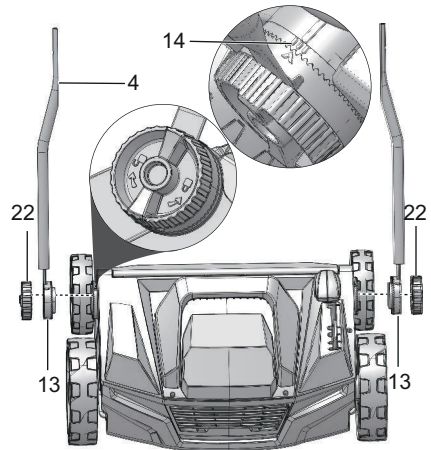
Make sure that you correctly assemble the machine before use.

▲ WARNING

- If parts of the machine are damaged, do not use the machine.
- If you do not have all the parts, do not operate the machine.
- If parts are damaged or missing, contact the service center.

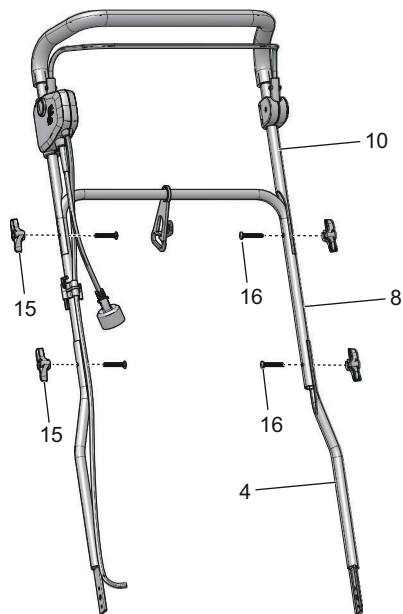
1. Open the package.
2. Read the documentation provided in the box.
3. Remove all the unassembled parts from the box.
4. Remove the machine from the box.
5. Discard the box and packing material in compliance with local regulations.

3.2 INSTALL THE LOWER HANDLE



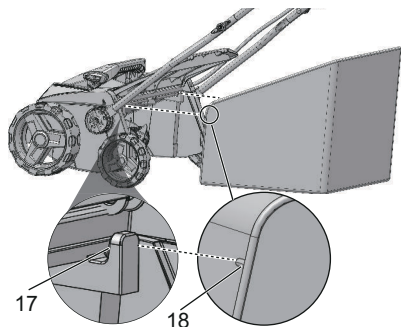
1. Attach the handle holders (13) to the sides of the machine
2. Put the bolts of the handle knobs (22) through the holders.
3. Turn the handle knobs clockwise to lock the lower handle (4).
4. Adjust the lower handle in one of the three positions (14).

3.3 INSTALL THE UPPER HANDLE



1. Align the holes in the upper handle (10), the middle handle (8) and the lower handle (4).
2. Put the bolt (16) through the hole.
3. Tighten the knob (15) onto the bolts.
4. Repeat the same operation on the other side.

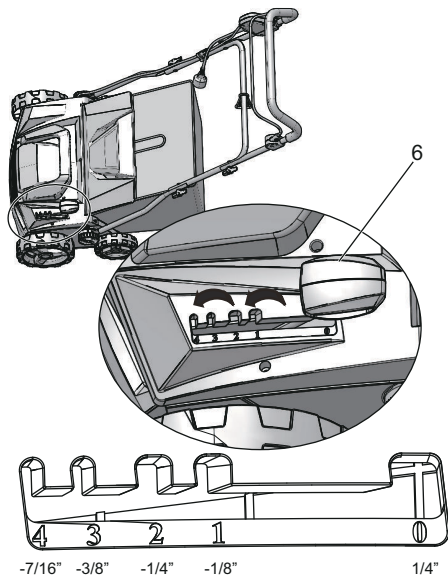
3.4 INSTALL THE GRASS CATCHER



1. Open the rear discharge door and hold it.
2. Hold the grass catcher by its handle and engage the hooks (18) over the slots (17).
3. Close the rear discharge door.

3.5 SET THE BLADE HEIGHT

The machine can be set to different working depths.



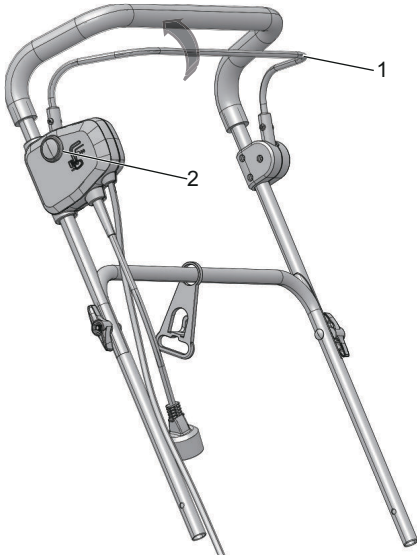
1. Pull the depth adjustment lever (6) forwards to increase the working depth.
2. Pull the depth adjustment lever backwards to decrease the working depth.

4 OPERATION

▲ WARNING

To avoid serious personal injury, wear goggles or safety glasses at all times when operating the dethatcher. Wear a face mask or dust cover at dusty locations.

4.1 START THE MACHINE



1. Connect the machine into an approved outdoor extension cable.
2. Push and hold the start button (2).
3. While you hold the start button, pull the bail switch (1) in the direction of the handle bar.
4. Release the start button to start the machine.

4.2 STOP THE MACHINE

1. Release the bail switch to stop the machine.

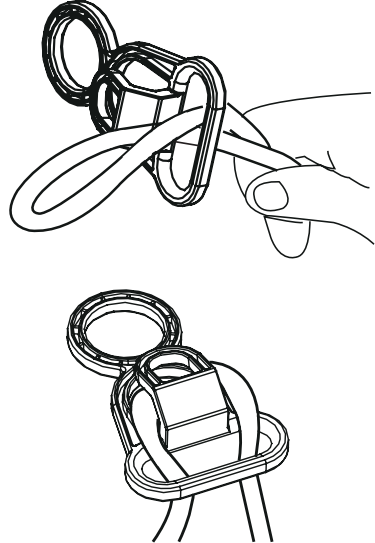
▲ WARNING

Wait until the cylinder fully stops before you start the machine again. Do not quickly turn the machine off and on.

▲ WARNING

Always disconnect from the power supply after you complete the work.

4.3 USE THE CORD RETAINER



In the condition that the extension cable disconnects from the power supply during operation, the machine contains a cord retainer. The cord retainer hangs from the cord guide bar.

i NOTE

Make a loop of the extension cable around the cord retainer before we connect the extension cable into the outlet.

To use the cord retainer:

1. Make a tight loop near the cord retainer.
2. Push the loop through the bottom hole in the cord retainer.
3. Move the loop over the retaining clip, and pull down until the cable attaches to the cord retainer.

4.4 EMPTY THE GRASS CATCHER

1. Stop the machine.
2. Disconnect the machine from the power supply.
3. Open the rear discharge door and hold it.
4. Hold the grass catcher by its handle and unhook it from the slots.
5. Close the rear discharge door.
6. Empty the grass catcher.

5 MAINTENANCE

▲ WARNING

Before maintenance, make sure that you

- Stop the machine.
- Wait until all the moving parts stop.
- Disconnect the machine from the power source.

▲ WARNING

Do not use strong solvents or detergents on the plastic housing or components.

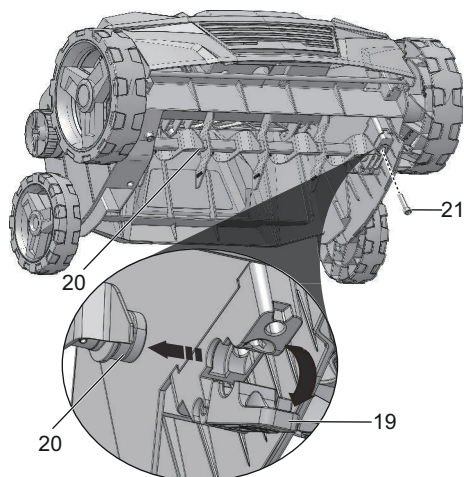
▲ WARNING

Do not let brake fluids, gasoline, petroleum-based materials touch the plastic parts. Chemicals can cause damage to the plastic, and make the plastic unserviceable.

5.1 GENERAL MAINTENANCE

- Before each use, examine the machine for damaged, missing, or loose parts such as screws, nuts, bolts and tines.
- Tighten correctly all the fasteners and knobs.

5.2 REPLACE THE CYLINDER



▲ WARNING

Only use approved replacement cylinder.

▲ WARNING

Wear adequate clothing, gloves and goggles before carrying out any maintenance.

▲ WARNING

Wear heavy gloves or wind cloth around the cylinder when you touch the cylinder.

1. Stop the machine.
2. Make sure that the cylinder fully stops.
3. Disconnect from the power source.
4. Turn the machine to its side to expose the blade cylinder (20).
5. Untighten the screw (21) to loosen the lock handle (19).
6. Open up the lock handle (19).
7. Push the cylinder toward the housing to loosen the other end of the cylinder.
8. Remove the cylinder.
9. Place a new cylinder into the holder under the housing.
10. Properly engage the other end of the bearing with the holder and push in the cylinder.
11. Lock down the lock handle (19) and tighten the screw (21) to secure the cylinder.

i NOTE

Follow the instructions as mentioned above while replacing a tine cylinder.

5.3 STORE THE MACHINE

- Clean the machine before storage.
- Make sure the motor is not hot when you store the machine.
- Make sure that the machine does not have loose or damaged parts. If it is necessary, do these steps/instructions:
 - Replace the damaged parts.
 - Tighten the bolts.
 - Speak to a person at an approved service center.
- Store the machine in a dry area.
- Make sure that children cannot come near the machine.


6 TROUBLESHOOTING

Problem	Possible Cause	Solution
Abnormal noise.	Foreign objects on the dethatcher cylinder are hitting the dethatcher.	Switch off the dethatcher, wait until the cylinder has stopped rotating.
Clattering in the unit. Whistling sound.	Foreign objects blocking the dethatching cylinder.	Remove foreign objects.
		Check the dethatcher immediately.

Problem	Possible Cause	Solution
Whistling sound.	Belt slipping.	Contact an authorized service centre.
Motor will not start.	The extension cable is not connected to the outlet.	Reconnect the cable.
	The extension cable is not connected to the power supply.	Connect the extension cable to a live 120V AC, 60 Hz AC receptacle.
The dethatcher is hard to push.	Blocked by foreign objects.	Switch off the motor, wait until the tine cylinder comes to a complete stop. Remove the foreign objects. After approximately one minute, switch on the dethatcher.
	The grass is too tall.	Mow the lawn before dethatching.
Dethatching results are not satisfactory.	Spring tine wear.	Adjust the dethatcher cylinder.
	Belt fault.	Contact an authorized service centre.
	Lawn has grown too tall.	Mow the lawn before using the dethatcher.

* If you cannot find the solution to these problems, go to the service center.

7 TECHNICAL DATA

Voltage	120 V
Frequency	60 Hz
No load speed	3200 RPM
Working path	14" (36 cm)
Number of blades	20 Pcs
Scarifying depth	- 7/16" / -3/8" / -1/4" / -1/8" / 1/4"
Dethatching depth	- 7/16" / -3/8" / -1/4" / -1/8" / 1/4"
Front wheel	8"
Rear wheel	6"
Weight	28.2 lbs (12.8 kg)
Double-insulated construction	

The recommended ambient temperature range:

Item	Temperature
Dethatcher storage temperature range	32°F (0°C) - 113°F (45°C)
Dethatcher operation temperature range	32°F (0°C) - 113°F (45°C)

8 LIMITED WARRANTY



Greenworks hereby warranties this product, to the original purchaser with proof of purchase, for a period of three (3) years against defects in materials, parts or workmanship. Greenworks, at its own discretion, will repair or replace any and all parts found to be defective, through normal use, free of charge to the customer. This warranty is valid only for units which have been used for personal use that have not been purchased or rented for industrial/commercial use, and that have been maintained in accordance with the instructions in the owners' manual supplied with the product when new.

ITEMS NOT COVERED BY WARRANTY:

- Any part that has become inoperative due to misuse, commercial use, abuse, neglect, accident, improper maintenance, or alteration; or
- The unit, if it has not been operated and/or maintained in accordance with the owner's manual; or
- Normal wear;
- Routine maintenance items such as lubricants, blade sharpening;
- Normal deterioration of the exterior finish due to use or exposure.

HELPLINE:

Warranty service is available by calling our toll-free helpline at 1-888-909-6757.

TRANSPORTATION CHARGES:

Transportation charges for the movement of any power equipment unit or attachment are the responsibility of the purchaser. It is the purchaser's responsibility to pay transportation charges for any part submitted for replacement under this warranty unless such return is requested in writing by Greenworks.

USA address:

Canadian address:

Greenworks Tools

Greenworks Tools Canada, Inc.

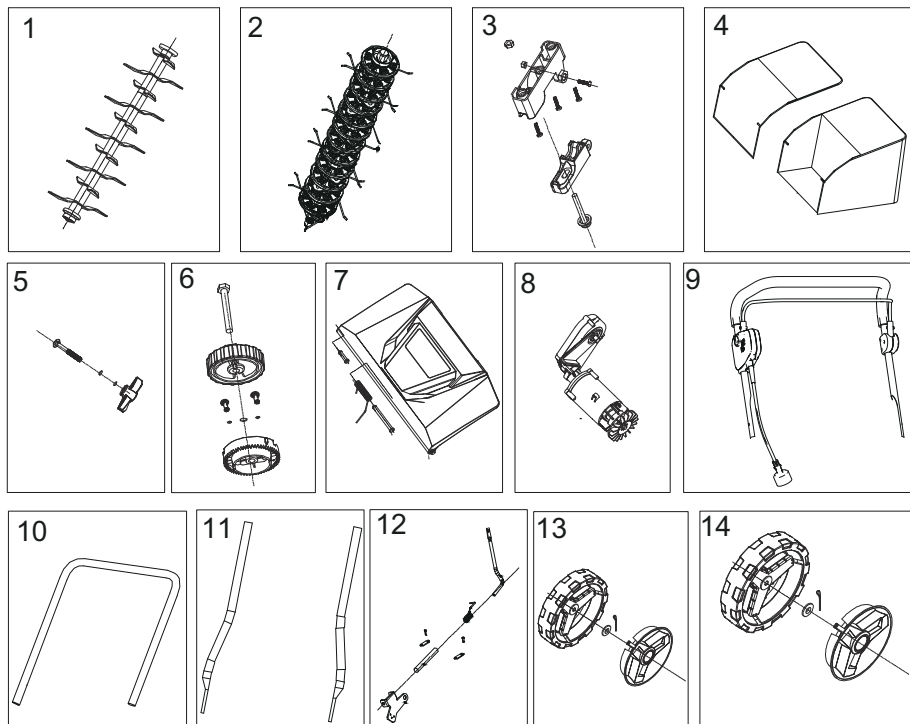
P.O. Box 1238

P.O. Box 93095, Newmarket,

Ontario

Mooresville, NC 28115

L3Y 8K3

9 EXPLODED VIEW

No.	Description	Part No.	Qty.
1	Blade cylinder	R0202580-00	1
2	Tine cylinder	R0202581-00	1
3	Cylinder lock assembly	R0202582-00	1
4	Grass catcher	R0202583-00	1
5	Upper/middle handles fastener assembly	R0202584-00	4
6	Lower handle knob assembly	R0202585-00	2
7	Rear discharge flap	R0202586-00	1
8	Motor	R0202587-00	1
9	Upper handle control assembly	R0202588-00	1
10	Middle handle	R0202589-00	1
11	Lower handle	R0202590-00	2
12	Depth adjustment lever	R0202591-00	1

No.	Description	Part No.	Qty.
13	Rear wheel assembly	R0202592-00	2
14	Front wheel assembly	R0202593-00	2

1	Description.....	15			
1.1	But.....	15	4	Utilisation.....	20
1.2	Aperçu.....	15	4.1	Démarrer la machine.....	20
1.3	Liste du contenu de l'emballage.....	15	4.2	Arrêter la machine.....	20
2	Lire toutes les instructions.....	15	4.3	Utilisez le dispositif de retenue du cordon.....	21
2.1	Fonctionnement.....	15	4.4	Videz le sac arrière.....	21
2.2	Symboles figurant sur la machine.....	16	5	Entretien.....	21
2.3	Niveaux de risques.....	17	5.1	Entretien général.....	21
2.4	Les enfants et les curieux.....	17	5.2	Remplacez le cylindre.....	21
2.5	Électrique.....	17	5.3	Entreposer la machine.....	22
2.6	Proposition 65.....	18	6	Dépannage.....	22
3	Installation.....	18	7	Données techniques.....	22
3.1	Déballer la machine.....	18	8	Garantie limitée.....	23
3.2	Installez la poignée inférieure.....	19	9	Vue éclatée.....	24
3.3	Installez la poignée supérieure.....	19			
3.4	Installer le sac arrière.....	19			

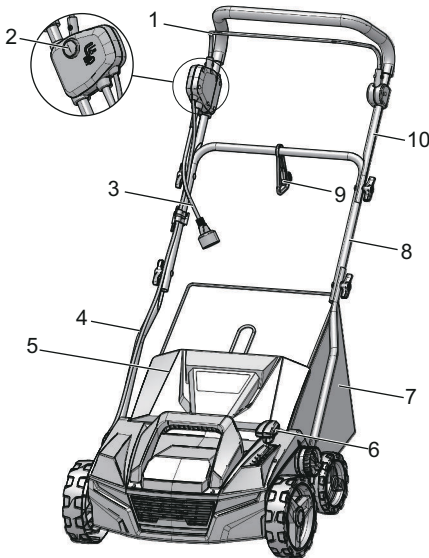
1 DESCRIPTION

1.1 BUT

Ce scarificateur est destiné à un usage personnel à domicile et dans le jardin. Le cylindre porte-lames inclus est conçu pour arracher la mousse, les mauvaises herbes et leurs systèmes racinaires du sol tout en ameublissant le sol pour favoriser une meilleure croissance du gazon.

Cette machine peut être facilement transformée en un déchaumeur de pelouse en quelques étapes à l'aide du cylindre à dents supplémentaire inclus.

1.2 APERÇU



- 1 Barre de sécurité
- 2 Bouton de démarrage
- 3 Câble d'alimentation
- 4 Poignée inférieure
- 5 Couvercle d'éjection arrière
- 6 Levier de réglage de la profondeur
- 7 Sac arrière
- 8 Poignée centrale
- 9 Dispositif de retenue du cordon

- 10 Partie supérieure du guidon
- 11 Cylindre à dents
- 12 Cylindre de lame

1.3 LISTE DU CONTENU DE L'EMBALLAGE

- 1 Scarificateur / déchaumeur
- 2 Sac arrière
- 3 Fixations de la poignée
- 4 Clips de câble
- 5 Cylindre à dents

2 LIRE TOUTES LES INSTRUCTIONS

▲ DANGER

Cette machine a été fabriquée pour être utilisée conformément aux consignes de sécurité qui figurent dans ce manuel. Comme avec tout autre type d'équipement motorisé, la négligence ou une erreur de la part de l'utilisateur peut provoquer des blessures graves. Cette machine est capable d'amputer les mains et les pieds et de projeter des objets. Le non-respect de toutes les consignes de sécurité peut entraîner des blessures graves, voire mortelles.

▲ AVERTISSEMENT

Lorsque vous utilisez des scarificateurs ou des déchaumeurs électriques, des précautions de sécurité de base doivent toujours être prises pour réduire les risques d'incendie, de décharge électrique et de blessures corporelles. Ces précautions de base comprennent ce qui suit :

2.1 FONCTIONNEMENT

▲ AVERTISSEMENT

Le mot « appareil » dans ces avertissements fait référence à votre outil, scarificateur ou déchaumeur électrique à fil. Lors de l'utilisation d'appareils de jardinage électriques, des précautions de sécurité de base doivent toujours être prises pour réduire les risques d'incendie, de choc électrique et de blessures corporelles, notamment les suivantes :

- Lisez attentivement toutes les instructions sur l'appareil et dans le manuel d'utilisation avant d'essayer d'assembler ou d'utiliser la machine. Conservez ce manuel dans un endroit sûr pour référence future et consultez-le régulièrement.
- Familiarisez-vous avec toutes les commandes et leur bon fonctionnement. Sachez comment arrêter l'appareil et comment couper l'alimentation électrique en cas d'urgence.
- Ne laissez pas un enfant de moins de 14 ans utiliser cet appareil. Les enfants de 14 ans et plus doivent lire et comprendre les instructions d'utilisation et les règles de

sécurité contenues dans ce manuel et doivent être formés et supervisés par un parent.














- Évitez les conditions dangereuses. N'utilisez pas l'appareil dans des endroits humides ou mouillés et ne l'exposez pas à la pluie.
- Ne l'utilisez pas en présence de liquides ou de gaz inflammables.
- Portez des vêtements sécuritaires. Ne portez pas de vêtements amples, de gants, de cravates ou de bijoux (bagues, montres, etc.) lorsque vous utilisez l'outil. Les vêtements amples peuvent se coincer et vous tirer vers des pièces mobiles. L'utilisation de gants en caoutchouc et de chaussures adaptées est recommandée lorsque vous travaillez à l'extérieur. Portez un couvre-chef protecteur pour retenir les cheveux longs.
- Afin d'éviter tout risque de décharge électrique, n'utilisez cet appareil qu'avec une rallonge électrique homologuée CSA/UL pour une utilisation extérieure, tel que les types SW, SOW, STW, STOW, SJW, SJOW, SJTW, ou SJTOW.
- Rallonge électrique : Vérifiez que la rallonge électrique est en bon état, qu'elle est bien calibrée pour prendre en charge le courant qu'utilise la tondeuse et qu'elle est polarisée (une lame de la prise est plus large que l'autre). Une rallonge de 25 pieds (7.6 mètres) doit être de calibre 14, une rallonge de 50 pieds (15 mètres) doit être de calibre 12. Des cordons trop petits provoquent une chute de la tension secteur, ce qui entraîne une perte de puissance et une surchauffe.
- Portez toujours des lunettes de protection.
- Utilisez le bon outil - N'utilisez pas l'appareil pour une tâche autre que celle à laquelle il est destiné. Retirez toujours la fiche du cordon d'alimentation de la prise électrique lorsque vous effectuez des réglages, changez des pièces ou nettoyez l'appareil.
- Évitez les démarrages accidentels. Assurez-vous que l'interrupteur est en position d'arrêt avant de brancher le cordon d'alimentation. Un disjoncteur différentiel de fuite à la terre (DDFT) doit être installé sur le ou les circuits ou les prises de courant à utiliser pour le déchaumeur. Les réceptacles sont fournis avec une protection DDFT intégrée et peuvent être utilisés pour cette mesure de sécurité.
- N'utilisez pas le cordon d'alimentation à des fins abusives. Ne l'utilisez pas pour transporter le déchaumeur. Éloignez le cordon de la chaleur, de l'huile et des bords tranchants ou des pièces mobiles. Remplacez immédiatement les cordons endommagés, car ils peuvent poser un risque de décharge électrique ou d'incendie.
- Évitez tout démarrage accidentel – Ne transportez pas le déchaumeur branché avec un doigt sur l'interrupteur. Assurez-vous que l'interrupteur est éteint lorsque vous branchez l'outil.
- Ne laissez jamais l'outil en marche sans surveillance. Éteignez l'interrupteur d'alimentation. Ne laissez pas le déchaumeur avant qu'il ne s'arrête complètement.
- Ne forcez pas l'appareil - Il fera mieux le travail et avec moins de risque de blessure à la vitesse pour laquelle il a été conçu.

- Soyez vigilant – Faites attention à ce que vous faites. Faites appel à votre bon sens. N'utilisez pas le déchaumeur lorsque vous êtes fatigué.
- Ne vous penchez pas trop en avant. Gardez un bon équilibre en tout temps.
- Débranchez l'appareil. Débranchez le déchaumeur de son alimentation électrique lorsqu'il n'est pas utilisé, avant de procéder à son entretien et lors du changement d'accessoires tels que les lames, les dents et les cylindres, etc.
- Maintenez tous les dispositifs de sécurité en place.
- Assurez-vous de connaître l'emplacement et les fonctions de toutes les commandes.
- Entretenez l'appareil avec soin. Gardez les bords tranchants et propres pour une meilleure performance et pour réduire les risques de blessures. Suivez les instructions pour lubrifier et changer les accessoires. Inspectez périodiquement le cordon de l'appareil. S'il est endommagé, faites-le réparer par un réparateur agréé. Inspectez périodiquement les rallonges électriques et remplacez-les si elles sont endommagées. Veillez à ce que les poignées restent propres, sèches et exemptes d'huile et de graisse. Gardez toujours le déchaumeur propre et en bon état de fonctionnement.
- Vérifier les pièces endommagées – Avant de continuer à utiliser la machine, il convient de vérifier soigneusement une garde protectrice ou toute autre pièce endommagée pour s'assurer qu'il fonctionnera correctement comme prévu. Vérifiez l'alignement des pièces mobiles, la fixation des pièces mobiles, la cassure des pièces, les fixations endommagées et toute autre condition qui pourrait affecter leur fonctionnement. Une garde protectrice ou toute autre pièce endommagée doit être correctement réparée ou remplacée par un centre de service agréé, sauf en cas d'indication contraire dans ce manuel.
- Éloignez vos mains des lames.

2.2 SYMBOLES FIGURANT SUR LA MACHINE


Certains des symboles suivants peuvent être utilisés sur cette tondeuse. Veuillez les étudier et apprendre leur signification. Une bonne interprétation de ces symboles vous permettra de mieux utiliser la tondeuse et de manière plus sécuritaire.

Symbole	Nom	Explication
V	Volt	Voltage
A	Ampères	Courant
Hz	Hertz	Fréquence (cycles par seconde)
W	Watt	Puissance
min	Minutes	Heure
/min	Par minute	Tours, coups, vitesse périphérique, orbites, etc., par minute

Symbole	Nom	Explication
	Courant alternatif	Type de courant
	Courant continu	Type ou caractéristique du courant
n_0	Vitesse à vide	Vitesse rotationnelle, à vide
	Alerte de sécurité	Précautions destinées à assurer la sécurité.
	Protection des yeux	Portez toujours des lunettes de protection avec des protections latérales marquées conformément à la norme ANSI Z87.1 lorsque vous utilisez cet équipement.
	AVERTISSEMENT --- Conditions humides	Ne pas exposer la machine à la pluie ou à l'humidité.
	Lisez le manuel d'opérateur	Pour réduire les risques de blessures, l'utilisateur doit lire et comprendre le manuel d'opérateur avant d'utiliser ce produit.
	Entretien les dispositifs de sécurité	Ne pas ouvrir ou retirer les dispositifs de sécurité lorsque l'outil est en marche.
	Regardez derrière vous quand vous reculez	Regardez d'abord vers le bas et vers l'arrière pour éviter de trébucher lorsque vous tirez vers l'arrière.
 	DANGER --- Maintenez à distance les mains et les pieds	Pour réduire les risques de blessures, éloignez les mains et les pieds des pièces en mouvement. Ne pas faire fonctionner à moins que le couvercle de décharge ou le sac d'herbe ne soit à sa place appropriée. S'il est endommagé, remplacez-le immédiatement.
	DANGER --- Gardez les gens à distance	Tous les visiteurs doivent être tenus à bonne distance de la zone de travail.
	DANGER --- Débris rejetés	Retirez les objets qui peuvent être projetés par la lame dans n'importe quelle direction. Portez des lunettes de protection.
	DANGER --- Danger sur pente abrupte	Soyez particulièrement prudent sur les pentes. Ne tondez pas sur une pente inclinée à plus de 15°.
	DANGER --- Gardez les pieds à distance	Éloignez les pieds du cylindre rotatif.

2.3 NIVEAUX DE RISQUES

Les termes de mise en garde suivants et leur signification ont pour but d'expliquer les niveaux de risques associés à l'utilisation de ce produit.

SYMBOLE	SIGNAL	SIGNIFICATION
	DANGER	Indique une situation dangereuse imminente qui, si elle n'est pas évitée, peut entraîner la mort ou des blessures graves.
	AVERTISSEMENT	Indique une situation potentiellement dangereuse qui, si elle n'est pas évitée, peut entraîner la mort ou des blessures graves.
	MISE EN GARDE	Indique une situation potentiellement dangereuse qui, si elle n'est pas évitée, pourrait causer des blessures mineures ou modérées.
	MISE EN GARDE	(Sans symbole d'alerte de sécurité) indique une situation pouvant entraîner des dommages matériels.

2.4 LES ENFANTS ET LES CURIEUX

Des accidents tragiques peuvent se produire si l'opérateur ne fait pas attention à la présence des enfants ou des curieux.

- Garder la zone d'opération à l'écart de toute personne, en particulier les jeunes enfants et les animaux domestiques.
- Soyez extrêmement prudent lorsque vous approchez un angle mort, une porte, un arbuste, un arbre ou tout autre objet qui pourrait obscurcir votre vision d'un enfant ou d'un curieux. Gardez les enfants, les curieux, les assistants et les animaux domestiques à au moins 30 m (100 pi) de la tondeuse lorsqu'elle est en marche. Arrêtez la machine si quelqu'un s'approche.
- Ne permettez jamais à des enfants de moins de 14 ans d'utiliser une tondeuse électrique. Les opérateurs âgés de 14 ans et plus doivent lire et comprendre le manuel d'opérateur et les règles de sécurité. Seules les personnes responsables et qui connaissent ces règles de sécurité doivent être autorisées à utiliser cette machine.

2.5 ÉLECTRIQUE

▲ AVERTISSEMENT

Le système à double isolation est destiné à protéger l'utilisateur contre les chocs résultant d'une rupture de l'isolation interne de l'outil. Respectez toutes les mesures de sécurité normales pour éviter les chocs électriques.

Connexion électrique

Ce produit est équipé d'un moteur électrique de précision. Il doit être raccordé à une source d'alimentation de 120 V, CA seulement (courant domestique normal), 60 Hz. N'utilisez pas cet appareil avec du courant continu (C.C). Une chute de tension importante entraînera une perte de puissance et le moteur surchauffera. Si l'appareil ne fonctionne pas lorsqu'il est branché dans une prise de courant, vérifiez à nouveau l'alimentation électrique.

Rallonges électriques

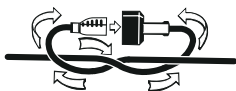
Lorsque vous utilisez un outil électrique à une distance considérable d'une source d'alimentation, assurez-vous d'utiliser une rallonge électrique capable de supporter le courant que le produit consommera. Un cordon d'alimentation trop petit provoquera une chute de la tension secteur, ce qui entraînera une surchauffe et une perte de puissance. Utilisez le tableau pour déterminer la taille minimale de fil requise pour une rallonge électrique. Seuls les cordons à gaine ronde homologués par les Underwriter's Laboratories (UL) doivent être utilisés.

Lorsque vous travaillez à l'extérieur avec un produit, utilisez une rallonge électrique conçue pour un usage extérieur. Ce type de cordon est désigné par la mention « W-A » ou « W » sur la gaine du cordon.

Avant d'utiliser une rallonge électrique, vérifiez qu'il n'y a pas de fils détachés ou exposés et qu'il n'y a pas d'isolant coupé ou usé.

Une rallonge électrique appropriée est disponible dans un centre de service autorisé.

Il est possible d'attacher la rallonge et le cordon d'alimentation dans un nœud pour éviter qu'ils ne se débranchent pendant l'utilisation. Faites le nœud comme indiqué sur la figure, puis branchez l'extrémité de la fiche du cordon d'alimentation dans l'extrémité de la prise du cordon d'extension. Cette méthode peut également être utilisée pour attacher deux rallonges électriques ensemble.



Jauge minimale pour rallonges (AWG)

(en cas d'utilisation de 120 V uniquement)

Capacité nominale	Longueur totale du cordon en mètres (pieds)				
Plus de	Pas plus de	7,6 m (25')	15 m (50')	30 m (100')	45 m (150')
0	6	18	16	16	14
6	10	18	16	14	12
10	12	16	16	14	12
12	16	14	12	Pas recommandé	

Gardez la rallonge électrique à l'écart de la zone de travail. Placez le cordon de manière à ce qu'il ne se coince pas dans le bois, les outils ou d'autres obstructions lorsque vous travaillez avec un outil électrique. Le non-respect de cette consigne peut entraîner des blessures corporelles.

Vérifiez les rallonges électriques avant chaque utilisation. S'il est endommagé, remplacez-le immédiatement. N'utilisez jamais l'appareil si le cordon d'alimentation est endommagé, car tout contact avec la zone endommagée pourrait provoquer un choc électrique et entraîner des blessures graves.

2.6 PROPOSITION 65

▲ AVERTISSEMENT

Ce produit contient un produit chimique connu dans l'état de Californie comme étant une cause de cancer, de malformations congénitales ou d'autres problèmes de reproduction. Certaines poussières produites par le ponçage mécanique, le sciage, le meulage, le perçage et d'autres activités de construction contiennent des produits chimiques connus pour causer le cancer, des malformations congénitales ou d'autres problèmes de reproduction. Voici quelques exemples de ces produits chimiques :

- Plomb provenant de peintures à base de plomb;
- Silice cristalline provenant de briques, de ciment et d'autres produits de maçonnerie;
- Arsenic et chrome provenant de bois traité chimiquement.

Votre risque d'exposition à ces produits chimiques varie selon la fréquence à laquelle vous faites ce type de travail. Pour réduire votre exposition à ces produits chimiques, travaillez dans un endroit bien ventilé et utilisez un équipement de sécurité approuvé, comme des masques anti-poussière spécialement conçus pour filtrer les particules microscopiques.

Conservez ces instructions.

3 INSTALLATION

▲ AVERTISSEMENT

Avant d'assembler la machine, lisez et comprenez les consignes de sécurité et les instructions d'installation.

3.1 DÉBALLER LA MACHINE

▲ AVERTISSEMENT

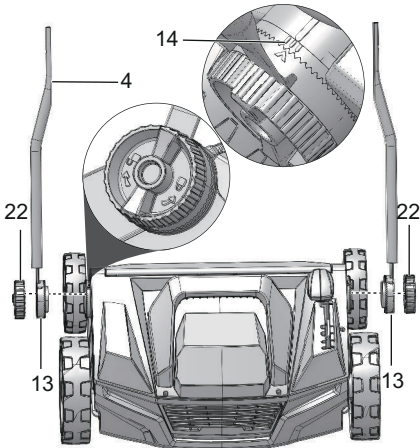
Assurez-vous d'assembler correctement la machine avant de l'utiliser.

▲ AVERTISSEMENT

- Si les pièces de la machine sont endommagées, ne l'utilisez pas.
- Si vous n'avez pas toutes les pièces, n'utilisez pas la machine.
- Si des pièces sont endommagées ou manquantes, communiquez avec le centre de service.

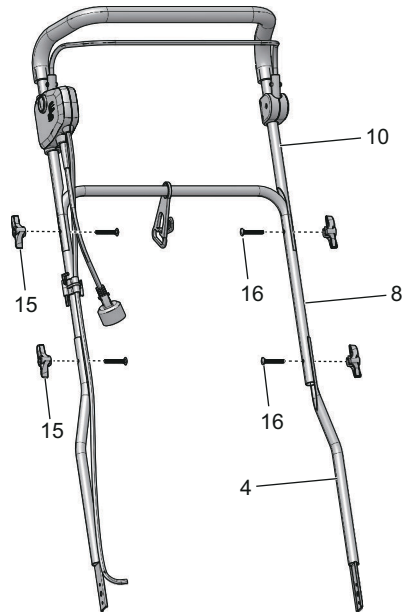
1. Ouvrez l'emballage.
2. Lisez la documentation contenue dans la boîte.
3. Retirez toutes les pièces non assemblées de la boîte.
4. Retirez la machine de sa boîte.
5. Jetez la boîte et l'emballage conformément aux règlements locaux.

3.2 INSTALLEZ LA POIGNÉE INFÉRIEURE



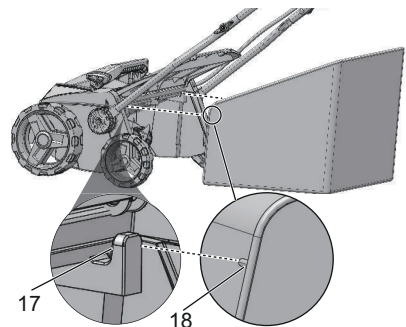
1. Fixez les supports de poignée (13) sur les côtés de la machine
2. Faites passer les boulons des boutons de poignée (22) dans les supports.
3. Tournez les boutons de la poignée dans le sens des aiguilles d'une montre pour verrouiller la poignée inférieure (14).
4. Réglez la poignée inférieure dans l'une des trois positions (14).

3.3 INSTALLEZ LA POIGNÉE SUPÉRIEURE



1. Alignez les trous de la poignée supérieure (10), de la poignée centrale (8) et de la poignée inférieure (4).
2. Introduisez le boulon (16) dans le trou.
3. Serrez le bouton (15) sur les boulons.
4. Faites la même opération sur l'autre côté.

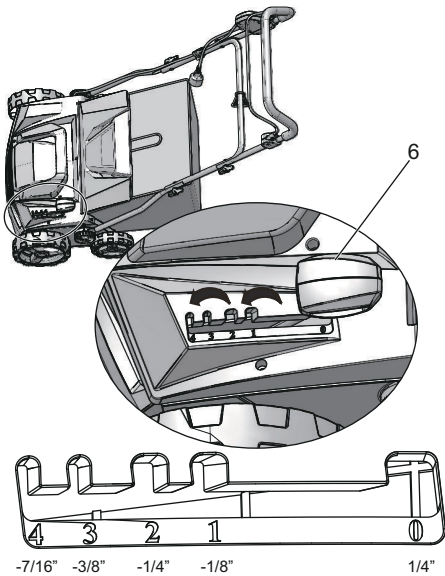
3.4 INSTALLER LE SAC ARRIÈRE



1. Ouvrez et retenez le couvercle d'éjection arrière.
2. Tenez le sac arrière par sa poignée et engagez les crochets (18) sur les fentes (17).
3. Fermez le couvercle d'éjection arrière.

3.5 RÉGLEZ LA HAUTEUR DE LA LAME

La machine peut être réglée à différentes profondeurs de travail.



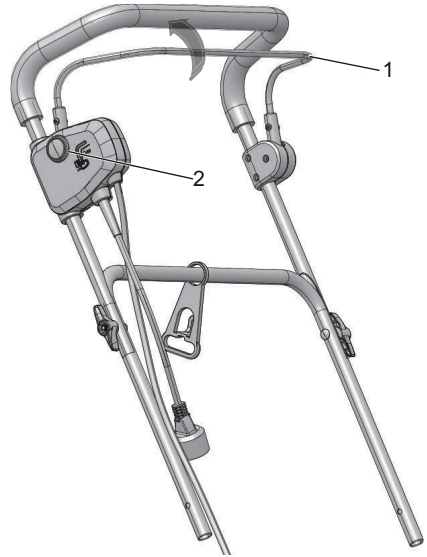
1. Tirez le levier de réglage de la profondeur (6) vers l'avant pour augmenter la profondeur de travail.
2. Tirez le levier de réglage de la profondeur vers l'arrière pour diminuer la profondeur de travail.

4 UTILISATION

▲ AVERTISSEMENT

Pour éviter des blessures graves, portez des lunettes de sécurité ou des lunettes de protection en tout temps lorsque vous utilisez le déchaumeur. Portez un masque facial ou une housse de protection contre la poussière dans les endroits poussiéreux.

4.1 DÉMARRER LA MACHINE



1. Raccordez la machine à une rallonge électrique extérieure approuvée.
2. Appuyez sur le bouton de mise en marche et maintenez-le enfoncé (2).
3. Pendant que vous maintenez le bouton de démarrage enfoncé, tirez l'interrupteur d'écartement (1) dans la direction du guidon.
4. Relâchez le bouton de démarrage pour démarrer la machine.

4.2 ARRÊTER LA MACHINE

1. Relâchez l'interrupteur d'arrêt d'urgence pour arrêter la machine.

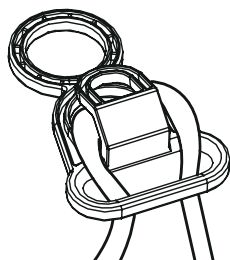
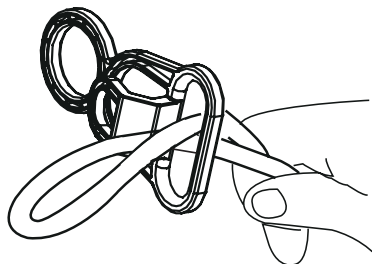
▲ AVERTISSEMENT

Attendez que le cylindre s'arrête complètement avant de redémarrer la machine. N'éteignez pas et n'allumez pas brusquement la machine.

▲ AVERTISSEMENT

Débranchez toujours l'appareil de l'alimentation électrique après avoir terminé les travaux.

4.3 UTILISEZ LE DISPOSITIF DE RETENUE DU CORDON



Si la rallonge électrique se déconnecte de l'alimentation électrique en cours de fonctionnement, la machine est équipée d'un dispositif de retenue du cordon d'alimentation. La corde de rétention est suspendue à la tige de guidage du cordon.

i REMARQUE

Faites une boucle de la rallonge électrique autour de la corde de retenue avant de connecter la rallonge électrique à la prise de courant.

Pour utiliser la corde de rétention :

1. Faites une boucle serrée près de la corde de rétention.
2. Poussez la boucle dans le trou inférieur de la corde de rétention.
3. Déplacez la boucle sur le clip de retenue et tirez vers le bas jusqu'à ce que le câble se fixe sur la corde de retenue.

4.4 VIDEZ LE SAC ARRIÈRE

1. Arrêtez la machine.
2. Débranchez la machine de l'alimentation électrique.
3. Ouvrez et retenez la trappe d'éjection arrière.
4. Tenez le sac arrière par sa poignée et décrochez-le des fentes.
5. Fermez la trappe d'éjection arrière.
6. Videz le sac arrière.

5 ENTRETIEN

▲ AVERTISSEMENT

Avant d'effectuer l'entretien, assurez-vous que

- Arrêtez la machine.
- Attendez que toutes les pièces se soient immobilisées.
- Débranchez la machine de la source de courant.

▲ AVERTISSEMENT

N'utilisez pas de solvants ou de détergents puissants sur le boîtier ou les composants en plastique.

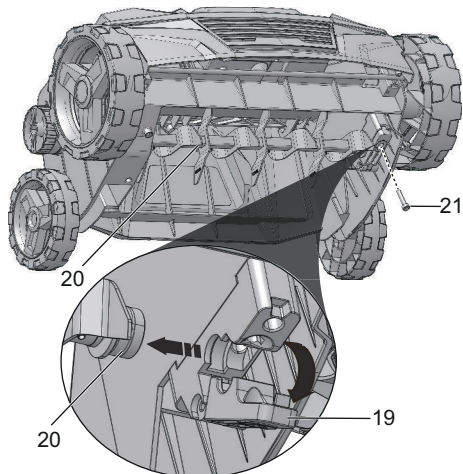
▲ AVERTISSEMENT

Évitez que les liquides de freins, l'essence et les matériaux à base de pétrole ne viennent en contact avec les pièces en plastique. Les produits chimiques peuvent endommager le plastique et le rendre inutilisable.

5.1 ENTRETIEN GÉNÉRAL

- Avant chaque utilisation, vérifiez que la machine ne contient pas de pièces endommagées, manquantes ou desserrées, telles que vis, écrous, boulons et dents.
- Serrez correctement toutes les fixations et les boutons.

5.2 REMPLACEZ LE CYLINDRE



▲ AVERTISSEMENT

Utilisez uniquement un cylindre de recharge approuvé.

▲ AVERTISSEMENT

Portez des vêtements, des gants et des lunettes de protection adéquats avant d'effectuer tout entretien.

▲ AVERTISSEMENT

Portez des gants épais ou enroulez le cylindre avec un chiffon lorsque vous le touchez.

1. Arrêtez la machine.
2. Assurez-vous que le cylindre s'est complètement arrêté.
3. Débranchez l'appareil de la source de courant.
4. Tournez la machine sur le côté pour exposer le cylindre de la lame (20).
5. Dévissez la vis (21) pour desserrer la poignée de verrouillage (19).
6. Ouvrez la poignée de verrouillage (19).
7. Poussez le cylindre vers le boîtier pour desserrer l'autre extrémité du cylindre.
8. Retirez le cylindre.
9. Placez un nouveau cylindre dans le support sous le boîtier.
10. Engagez correctement l'autre extrémité du roulement avec le support et enfoncez le cylindre.
11. Verrouillez la poignée de verrouillage (19) et serrez la vis (21) pour fixer le cylindre.

i REMARQUE

Suivez les instructions mentionnées ci-dessus lors du remplacement d'un cylindre à dents.

5.3 ENTREPOSER LA MACHINE

- Nettoyez la machine avant de l'entreposer.
- Assurez-vous que le moteur n'est pas chaud lorsque vous entreposez la machine.
- Assurez-vous que la machine n'a pas de pièces mal fixées ou endommagées. Au besoin, suivez ces étapes/instructions :
 - Remplacez les pièces endommagées.
 - Serrez les boulon.
 - Parlez à une personne d'un centre de service certifié.
- Entreposez la machine dans un endroit sec.
- Assurez-vous que les enfants ne peuvent pas s'approcher de la machine.

6 DÉPANNAGE


Problème	Cause possible	Solution
Bruit anormal.	Des corps étrangers sur le cylindre du déchaumeur frappent le déchaumeur.	Éteignez le déchaumeur, attendez que le cylindre ne tourne plus.

Problème	Cause possible	Solution
Cliquetis dans l'appareil. Bruit de sifflement.	Des corps étrangers bloquent le cylindre de déchaumage.	Retirez les corps étrangers.
		Vérifiez le déchaumeur immédiatement.
Bruit de sifflement.	Glissement de la ceinture.	Communiquez avec un centre de service agréé.
Le moteur ne démarre pas.	La rallonge électrique n'est pas raccordée à la prise.	Reconnectez le câble.
	La rallonge électrique n'est pas raccordée à l'alimentation électrique.	Branchez la rallonge électrique à une prise 120 V CA, 60 Hz CA.
Le déchaumeur n'avance pas facilement.	Blocage dû aux corps étrangers.	Arrêtez le moteur, attendez jusqu'à l'arrêt complet du cylindre portedents. Retirez les corps étrangers. Après environ une minute, allumez le déchaumeur.
		L'herbe est trop haute.
Les résultats du déchaumage ne sont pas satisfaisants.	Usure des dents à ressort.	Réglez le cylindre du déchaumeur.
	Défaut de la ceinture.	Communiquez avec un centre de service agréé.
	La pelouse est devenue trop haute.	Tondez la pelouse avant d'utiliser le déchaumeur.

* Si vous ne trouvez pas une solution à ces problèmes, communiquez avec le centre de service.

7 DONNÉES TECHNIQUES

Voltage	120 V
Fréquence	60 Hz
Vitesse à vide	3200 RPM
Chemin de travail	14" (36 cm)
Nombre de lames	20 Pcs
Profondeur de scarification	- 7/16" / -3/8" / -1/4" / -1/8" / 1/4"

Profondeur de déchaumage	- 7/16" / -3/8" / -1/4" / -1/8" / 1/4"
Roue avant	8"
Roue arrière	6"
Poids	28.2 lbs (12.8 kg)
Conception à double isolation	

ASSISTANCE TÉLÉPHONIQUE :

Le service de garantie est accessible en appelant notre ligne d'assistance téléphonique sans frais, au 1-888-909-6757.

FRAIS DE TRANSPORT :

Les frais de transport pour le déplacement de tout équipement motorisé ou accessoire sont à la charge de l'acheteur. Il incombe à l'acheteur de payer les frais de transport pour toute pièce retournée pour remplacement en vertu de la présente garantie, à moins qu'un tel retour soit demandé par écrit par Greenworks.

La plage de température ambiante recommandée :

Article	Température
Plage de température d'entreposage du déchaumeur	32°F (0°C) - 113°F (45°C)
Plage de température de fonctionnement du déchaumeur	32°F (0°C) - 113°F (45°C)

Adresse aux États-Unis : Adresse au Canada :

Greenworks Tools	Greenworks Tools Canada Inc.
P.O. Box 1238	P.O. Box 93095, Newmarket, Ontario
Mooresville, NC 28115	L3Y 8K3

8 GARANTIE LIMITÉE



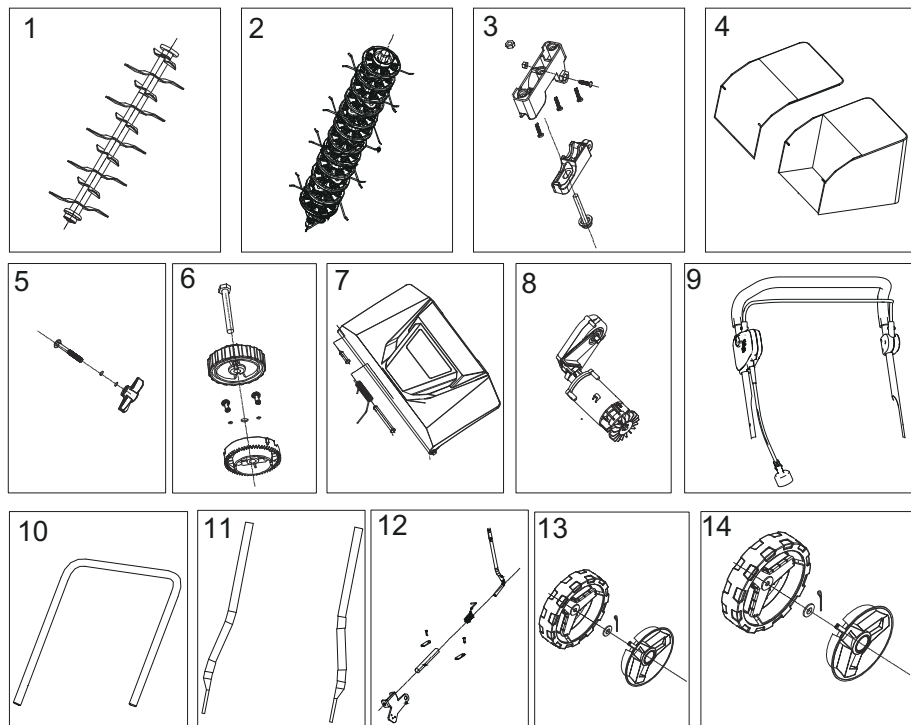
Greenworks garantit par la présente ce produit, à l'acheteur original avec preuve d'achat, pour une période de trois (3) ans contre tout défaut de matériaux, de pièces ou de main-d'œuvre. Greenworks, à sa propre discrétion, réparera ou remplacera toutes les pièces défectueuses, dans des conditions normales d'utilisation, sans frais pour le client. Cette garantie n'est valable que pour les appareils qui ont été utilisés à des fins personnelles, qui n'ont pas été loués à des fins industrielles ou commerciales et qui ont été entretenus conformément aux instructions du manuel du propriétaire fourni avec le produit neuf.

ARTICLES NON COUVERTS PAR LA GARANTIE :

1. Toute pièce qui est devenue inopérante en raison d'une mauvaise utilisation, d'une utilisation commerciale, d'un abus, d'une négligence, d'un accident, d'un entretien inapproprié ou d'une modification; ou
2. L'appareil, s'il n'a pas été utilisé et/ou entretenu conformément au manuel du propriétaire; ou
3. Usure normale;
4. Articles d'entretien courant tels que lubrifiants, affûtage des lames;
5. Détérioration normale du fini extérieur due à l'utilisation ou à l'exposition.

9 VUE ÉCLATÉE

FR



No	Description	No de pièce	Qté.
1	Cylindre de lame	R0202580-00	1
2	Cylindre à dents	R0202581-00	1
3	Ensemble de serrure à cylindre	R0202582-00	1
4	Sac arrière	R0202583-00	1
5	Ensemble de fixation des poignées supérieures / centrales	R0202584-00	4
6	Ensemble de bouton de poignée inférieure	R0202585-00	2
7	Volet d'éjection arrière	R0202586-00	1
8	Moteur	R0202587-00	1
9	Ensemble de commande de poignée supérieure	R0202588-00	1
10	Poignée centrale	R0202589-00	1
11	Poignée inférieure	R0202590-00	2
12	Levier de réglage de la profondeur	R0202591-00	1
13	Ensemble de roue arrière	R0202592-00	2
14	Ensemble de roue avant	R0202593-00	2

1 Descripción.....	26	3.5 Ajuste de la altura de la cuchilla.....	31
1.1 Finalidad.....	26	4 Funcionamiento.....	31
1.2 Perspectiva general.....	26	4.1 Puesta en marcha de la máquina.....	31
1.3 Lista de embalaje.....	26	4.2 Detención de la máquina.....	31
2 Lea todas las instrucciones.....	26	4.3 Uso de la retención del cable.....	32
2.1 Funcionamiento general.....	26	4.4 Vaciado del recogehierba.....	32
2.2 Símbolos en el producto.....	27	5 Mantenimiento.....	32
2.3 Niveles de riesgo.....	28	5.1 Mantenimiento general.....	32
2.4 Niños y transeúntes.....	28	5.2 Sustitución del cilindro.....	32
2.5 Sistema eléctrico.....	28	5.3 Almacenamiento de la máquina.....	33
2.6 Propuesta 65.....	29	6 Solución de problemas.....	33
3 Instalación.....	29	7 Datos técnicos.....	33
3.1 Desembalaje de la máquina.....	29	8 Garantía limitada.....	34
3.2 Instalación del asa inferior.....	30	9 Vista despiezada.....	35
3.3 Instalación del asa superior.....	30		
3.4 Instalación del recogehierba.....	30		

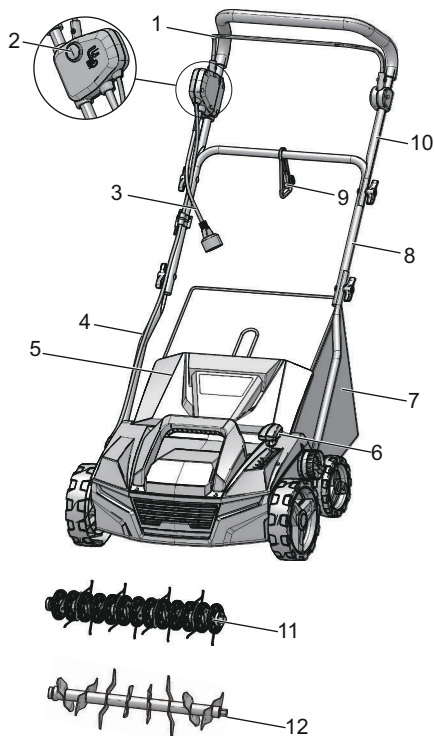
1 DESCRIPCIÓN

1.1 FINALIDAD

Esta máquina escarificadora está destinada a uso privado en entornos domésticos y de jardinería. El cilindro de la cuchilla que se incluye se ha diseñado para arrancar de la tierra el musgo, las malas hierbas y sus sistemas radiculares, a la vez que se afloja la tierra para fomentar un mejor crecimiento del césped.

Esta máquina puede convertirse fácilmente en un escarificador de césped en unos pocos pasos gracias al cilindro de dientes adicional que se incluye.

1.2 PERSPECTIVA GENERAL



- 1 Interruptor de seguridad
- 2 Botón de puesta en marcha
- 3 Cable de alimentación
- 4 Asa inferior
- 5 Puerta de descarga trasera
- 6 Palanca de ajuste de profundidad
- 7 Recogehierba
- 8 Asa intermedia

- 9 Retención del cable
- 10 Asa superior
- 11 Cilindro de dientes
- 12 Cilindro de la cuchilla

1.3 LISTA DE EMBALAJE

- 1 Escarificador
- 2 Recogehierba
- 3 Elementos de fijación del asa
- 4 Pinzas de cable
- 5 Cilindro de dientes

2 LEA TODAS LAS INSTRUCCIONES

▲ PELIGRO

Esta máquina se ha construido para utilizarse de acuerdo con las normas para un funcionamiento seguro que se incluyen en este manual. Como con cualquier tipo de equipo eléctrico, un descuido o un error por parte del operario puede provocar lesiones graves. Esta máquina es capaz de amputar manos y pies y de lanzar objetos. El incumplimiento de las instrucciones de seguridad podría provocar lesiones graves o incluso la muerte.

▲ AVISO

Cuando utilice escarificadores eléctricos, siempre deben seguirse precauciones básicas de seguridad a fin de reducir el riesgo de incendios, descargas eléctricas y lesiones personales. Estas precauciones básicas incluyen lo siguiente:

2.1 FUNCIONAMIENTO GENERAL

▲ AVISO

El término "aparato" empleado en las advertencias hace referencia a su herramienta eléctrica con cable o escarificador. Cuando utilice aparatos de jardinería eléctricos, siempre deben seguirse precauciones básicas de seguridad a fin de reducir el riesgo de incendios, descargas eléctricas y lesiones personales, entre las que se incluyen:

- Lea detenidamente todas las instrucciones en el aparato y en el manual antes de intentar montar y utilizar la máquina. Guarde este manual en un lugar seguro para futuras consultas y consúltelo periódicamente.
- Familiarícese con todos los controles y su funcionamiento adecuado. Debe saber cómo detener el aparato y cómo desconectar la alimentación en una emergencia.
- No permita que niños menores de 14 años utilicen este aparato. Los niños de 14 años y mayores deben leer y entender las instrucciones de funcionamiento y las normas de seguridad que se encuentran en este manual y deben recibir formación y supervisión por parte de uno de sus progenitores.





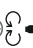





- Evite las condiciones peligrosas. No utilice en zonas mojadas o húmedas ni exponga a la lluvia.
- No utilice en presencia de líquidos o gases inflamables.
- Lleve indumentaria de seguridad. No lleve ropa holgada, guantes, corbatas o joyas (anillos, relojes, etc.) cuando utilice la herramienta. La ropa holgada puede quedar atrapada y arrastrarle hacia las piezas móviles. Se recomienda el uso de guantes de goma y calzado resistente cuando se trabaje en el exterior. Lleve una protección capilar para sujetar el cabello largo.
- Para evitar descargas eléctricas, utilice este aparato únicamente con un cable alargador con certificación CSA/UL que esté aprobado para su uso en exterior, como el tipo SW, SOW, STW, STOW, SJW, SJOW, SJTW, o SJTOW.
- Cable alargador: Verifique que el cable alargador esté en buen estado, que tenga el calibre adecuado para transportar la corriente que utiliza el aparato y que esté polarizado (una clavija del enchufe es más ancha que la otra). Un cable alargador de 25 ft (7.6 m) debe ser de calibre 14 , un cable alargador de 50 ft (15 m) debe ser de calibre 12. Los cables de tamaño insuficiente producen una caída en la tensión de la línea, lo que da lugar a pérdida de potencia y sobrecalentamiento.
- Lleve siempre protección ocular.
- Utilice la herramienta adecuada – No utilice la herramienta para trabajos distintos del previsto. Retire siempre el enchufe del cable de alimentación de la toma eléctrica cuando realice ajustes, cambie piezas o durante la limpieza.
- Evite la puesta en marcha accidental. Asegúrese de que el interruptor de encendido esté en la posición de apagado antes de enchufar el cable de alimentación. Debe proporcionarse protección mediante un interruptor de circuito de fallo a tierra (GFCI) en los circuitos o las tomas que se utilizarán para el esscarificador. Hay receptáculos que tiene protección GFCI incorporada y pueden utilizarse para esta medida de seguridad.
- No maltrate el cable de alimentación. No lo utilice para transportar el esscarificador. Mantenga el cable alejado del calor, el aceite, los bordes afilados o las piezas móviles. Sustituya inmediatamente los cables dañados ya que pueden generar un riesgo de descarga o incendio.
- Evite la puesta en marcha accidental – No transporte un esscarificador enchufado con el dedo sobre el interruptor. Asegúrese de que el interruptor esté desactivado al enchufar.
- Nunca deje una herramienta desatendida cuando esté en marcha. Sitúe el interruptor de alimentación en la posición de apagado. No deje el esscarificador hasta que se haya detenido por completo.
- No fuerce el aparato – Hará el trabajo mejor y con menos probabilidades de sufrir lesiones a la velocidad para la que se diseñó.
- Manténgase alerta – Observe lo que está haciendo en todo momento. Utilice el sentido común. No utilice el esscarificador cuando esté cansado.
- No se estire. Mantenga en todo momento una postura adecuada y el equilibrio.
- Desconecte el aparato. Desconecte el esscarificador de sus fuentes de alimentación cuando no esté en uso, antes del mantenimiento y cuando cambie accesorios como cuchillas, dientes y cilindros, etc.
- Mantenga en su posición todos los dispositivos de seguridad.
- Conozca las posiciones y las funciones de todos los controles.
- Cuide el mantenimiento del aparato – Mantenga el filo afilado y limpio para un mejor rendimiento y para reducir el riesgo de lesiones. Siga las instrucciones para la lubricación y el cambio de accesorios. Inspeccione periódicamente el cable del aparato, y si está dañado, haga que lo repare un centro de servicio técnico autorizado. Inspeccione periódicamente los cables alargadores y sustitúyalos si están dañados. Mantenga las asas secas, limpias y sin restos de aceite y grasa. Mantenga el esscarificador siempre limpio y en buen estado de funcionamiento.
- Compruebe las piezas dañadas – Antes de seguir utilizando el aparato, una protección u otra pieza dañada debe comprobarse detenidamente para determinar si funcionará correctamente y cumplirá su función prevista. Compruebe la alineación de las piezas móviles, la unión de las piezas móviles, la rotura de piezas, el montaje y cualquier otra condición que pueda afectar a su funcionamiento. Una protección u otra pieza que esté dañada debe ser reparada o sustituida debidamente por un centro de servicio autorizado, a menos que se indique lo contrario en este manual.
- Mantenga las manos alejadas de las cuchillas.

2.2 SÍMBOLOS EN EL PRODUCTO

En este cortacésped pueden utilizarse algunos de los siguientes símbolos. Le rogamos que los estudie y aprenda su significado. La interpretación correcta de estos símbolos le permitirá manejar el cortacésped mejor y de manera más segura.



Símbolo	Nombre	Explicación
V	Voltios	Tensión
A	Amperios	Corriente
Hz	Hertzios	Frecuencia (ciclos por segundo)
W	Vatios	Potencia
min	Minutos	Tiempo
/min	Por minuto	Revoluciones, carreras, velocidad de superficie, órbitas, etc., por minuto
~	Corriente alterna	Tipo de corriente
— — —	Corriente continua	Tipo o una característica de corriente

ES

Símbolo	Nombre	Explicación
	Velocidad sin carga	Velocidad rotacional, sin carga
	Alerta de seguridad	Precauciones que afectan a su seguridad.
	Protección ocular	Lleve siempre protección ocular con protectores laterales marcada para cumplir la ANSI Z87.1 cuando utilice este equipo.
	ADVERTENCIA --- Condiciones húmedas	No exponga el producto a la lluvia o a condiciones de humedad.
	Lea el manual del operario	Para reducir el riesgo de lesiones, el usuario debe leer y entender el manual del operario antes de utilizar este producto.
	Mantenga los dispositivos de seguridad	No abra ni retire los dispositivos de seguridad mientras la herramienta esté funcionando.
	Mire hacia atrás cuando retroceda	Mire hacia abajo y hacia atrás en primer lugar para evitar tropezar al retroceder.
	PELIGRO --- Mantenga alejados los pies y las manos	Para reducir el riesgo de lesiones, mantenga las manos y los pies alejados de las piezas giratorias. No utilice a menos que la cubierta de descarga o la bolsa de hierba estén en su posición. En caso de daños, sustituya inmediatamente.
	PELIGRO --- Mantenga alejados a los transeúntes	Todos los visitantes deben mantenerse a una distancia segura de la zona de trabajo.
	PELIGRO --- Proyección de residuos	Retire los objetos que puedan ser proyectados por la cuchilla en cualquier dirección. Lleve gafas de seguridad.
	PELIGRO --- Riesgo en pendientes pronunciadas	Tenga mucho cuidado en las pendientes. No siegue en pendientes con una inclinación superior a 15 grados.
	PELIGRO --- Mantenga los pies alejados	Mantenga los pies alejados del cilindro giratorio.

2.3 NIVELES DE RIESGO

Las siguientes indicaciones y significados tienen como fin explicar los niveles de riesgo asociados a este producto.

SÍMBOLO	INDICACIÓN	SIGNIFICADO
	PELIGRO	Indica una situación de peligro inminente que, de no evitarse, provocará lesiones graves o incluso la muerte.
	ADVERTENCIA	Indica una situación de peligro potencial que, de no evitarse, podría provocar lesiones graves o incluso la muerte.
	PRECAUCIÓN	Indica una situación de peligro potencial que, de no evitarse, puede provocar lesiones leves o moderadas.
	PRECAUCIÓN	(Sin símbolo de alerta sobre seguridad) Indica una situación que puede provocar daños materiales.

2.4 NIÑOS Y TRANSEÚNTES

Pueden producirse accidentes trágicos si el operario no está alerta a la presencia de niños y transeúntes.

- Mantenga la zona de funcionamiento libre de cualquier persona, especialmente niños pequeños y mascotas.
- Tenga mucho cuidado al acercarse a esquinas ciegas, portales, arbustos, árboles u otros objetos que puedan ocultar su visión de un niño o un transeúnte. Mantenga a los niños, los transeúntes, los ayudantes y las mascotas al menos a 30m (100 pies) del cortacésped cuando esté en funcionamiento. Detenga la máquina si alguien entra en la zona.
- Nunca permita que niños menores de 14 utilicen un cortacésped eléctrico. Los operarios de 14 años en adelante deben leer y entender en su totalidad el manual del operario y las normas de seguridad. Únicamente están autorizadas a utilizar la máquina personas responsables que estén familiarizadas con estas normas de funcionamiento seguro.

2.5 SISTEMA ELÉCTRICO

▲ AVISO

El sistema de doble aislamiento se ha diseñado para proteger al usuario de descargas que resulten de una ruptura en el aislamiento interno de la herramienta. Respete todas las precauciones de seguridad habituales para evitar descargas eléctricas.

Conexión eléctrica

Este producto tiene un motor eléctrico fabricado con precisión. Debe conectarse a una fuente de alimentación de 120 V, únicamente CA (corriente doméstica habitual), 60 Hz. No utilice este producto con corriente continua (CC). Una caída de tensión considerable provocará una pérdida de

potencia y el motor se sobrecalentará. Si el producto no funciona cuando está enchufado a una toma, haga una doble comprobación de la fuente de alimentación.

Cables alargadores

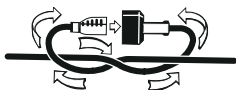
Cuando utilice una herramienta eléctrica a una distancia considerable de una fuente de alimentación, asegúrese de utilizar un cable alargador que tenga la capacidad de manejar la corriente que utilizará el producto. Un cable de tamaño insuficiente producirá una caída en la tensión de la línea, lo que a su vez generará sobrecalentamiento y pérdida de energía. Utilice el gráfico para determinar el tamaño mínimo de cable necesario en un cable alargador. Únicamente deben utilizarse cables redondos revestidos con certificación de Underwriter's Laboratories (UL).

Cuando trabaje en el exterior con un producto, utilice un cable alargador que se haya diseñado para uso en exterior. Este tipo de cable está designado "W-A" o "W" en el revestimiento del cable.

Antes de utilizar cualquier cable alargador, inspeccione si hay hilos sueltos o expuestos y si el aislamiento está cortado o desgastado.

Puede encontrar un cable alargador adecuado a través de los centros de servicio autorizados.

Es posible atar el cable alargador y el cable de alimentación en un nudo para evitar que se desconecten durante el uso. Haga el nudo como se muestra en la figura, posteriormente conecte el extremo del enchufe del cable de alimentación en el extremo del receptáculo del cable alargador. Este método también puede utilizarse para atar dos cables alargadores.



Calibre mínimo para cables alargadores (AWG)

(únicamente cuando se utilizan 120 V)

Amperaje	Longitud total del cable en pies (metros)					
	Más de	No más de	25' (7,6 m)	50' (15 m)	100' (30 m)	150' (45m)
0	6	18	16	16	14	
6	10	18	16	14	12	
10	12	16	16	14	12	
12	16	14	12	No se recomienda		

Mantenga el cable alargador alejado de la superficie de trabajo. Coloque el cable de manera que no quede atrapado en madera, herramientas u otras obstrucciones mientras trabaja con una herramienta eléctrica. De no hacerlo podrían producirse lesiones personales graves.

Compruebe los cables alargadores antes de cada uso. En caso de daños sustituya inmediatamente. Nunca utilice el producto con un cable dañado, ya que si toca la zona dañada podría producirse una descarga eléctrica con las consiguientes lesiones graves.

2.6 PROPUESTA 65

▲ AVISO

Este producto contiene una sustancia química conocida en el estado de California como causante de cáncer, defectos de nacimiento u otros daños reproductivos. El polvo generado por el lijado eléctrico, el serrado, el esmerilado, la perforación y otras actividades de construcción contiene sustancias químicas que se sabe que son causantes de cáncer, defectos de nacimiento u otros daños reproductivos. Algunos ejemplos de estas sustancias químicas son:

- Plomo de pinturas con base de plomo;
- Sílice cristalina de ladrillos y cemento y otros productos de albañilería;
- Arsénico y cromo de la madera tratada químicamente.

El riesgo de exposición a estas sustancias químicas varía según la frecuencia con la que realice este tipo de trabajo. Para reducir su exposición a estas sustancias químicas, trabaje en una zona bien ventilada y trabaje con equipos de seguridad aprobados, como máscaras antipolvo, que estén especialmente diseñadas para filtrar partículas microscópicas.

Conservar estas instrucciones.

3 INSTALACIÓN

▲ AVISO

Antes de montar la máquina, debe leer y entender el capítulo de seguridad y las instrucciones de instalación.

3.1 DESEMBALAJE DE LA MÁQUINA

▲ AVISO

Asegúrese de montar correctamente la máquina antes del uso.

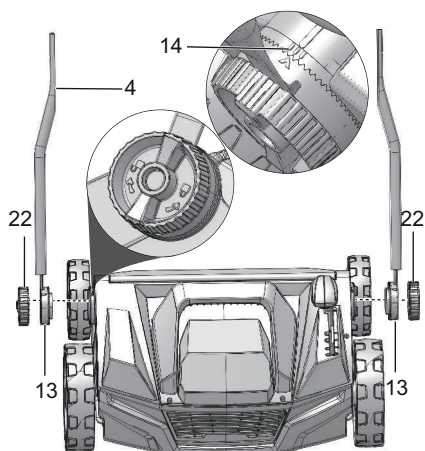
▲ AVISO

- Si las piezas de la máquina presentan daños, no utilice la máquina.
- Si no tiene todas las piezas, no utilice la máquina.
- Si faltan piezas o hay piezas dañadas, contacte con el centro de servicio.

1. Abra el embalaje.
2. Lea la documentación que se proporciona en la caja.
3. Retire todas las piezas sin montar de la caja.
4. Retire la máquina de la caja.

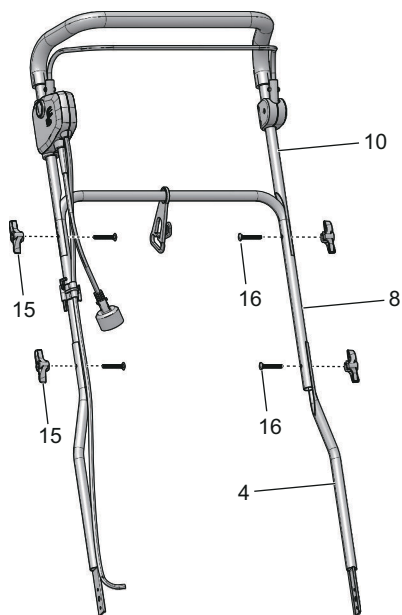
5. Deseche la caja y el material de embalaje de conformidad con los reglamentos locales.

3.2 INSTALACIÓN DEL ASA INFERIOR



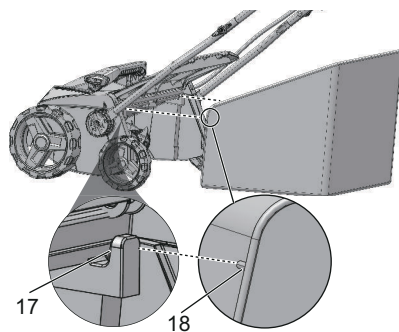
1. Fije los soportes de las asas (13) a los laterales de la máquina
2. Introduzca los pernos de los mandos del asa (22) por los soportes.
3. Gire los mandos del asa en sentido horario para bloquear el asa inferior (4).
4. Ajuste el asa inferior en una de las tres posiciones (14).

3.3 INSTALACIÓN DEL ASA SUPERIOR



1. Alinee los orificios del asa superior (10), el asa intermedia (8) y el asa inferior (4).
2. Introduzca el perno (16) por el orificio.
3. Apriete el mando (15) en los pernos.
4. Repita la misma operación en el otro lado.

3.4 INSTALACIÓN DEL RECOGEHIERBA

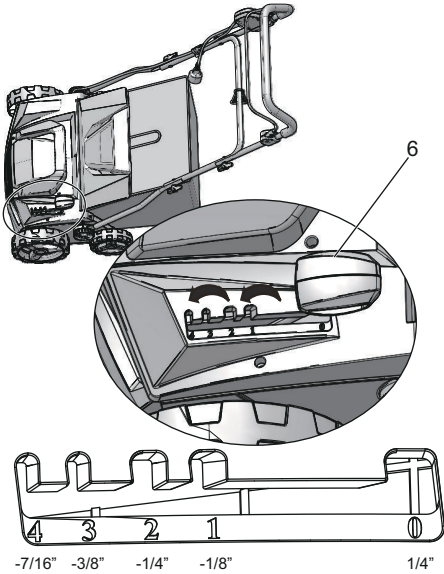


1. Abra la puerta de descarga trasera y sujétela.
2. Sostenga el recogehierba por el asa y acople los ganchos (18) sobre las ranuras (17).

3. Cierre la puerta de descarga trasera.

3.5 AJUSTE DE LA ALTURA DE LA CUCHILLA

La máquina puede ajustarse a distintas profundidades de trabajo.



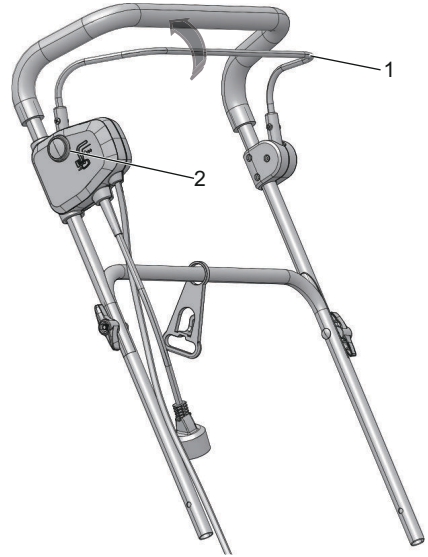
1. Tire hacia delante de la palanca de ajuste de profundidad (6) para aumentar la profundidad de trabajo.
2. Tire hacia atrás de la palanca de ajuste de profundidad para disminuir la profundidad de trabajo.

4 FUNCIONAMIENTO

▲ AVISO

Para evitar lesiones personales graves, lleve gafas de seguridad en todo momento cuando utilice el escarificador. Lleve una mascarilla facial o una protección antipolvo en lugares polvorientos.

4.1 PUESTA EN MARCHA DE LA MÁQUINA



1. Conecte la máquina a un cable alargador aprobado para exterior.
2. Pulse y mantenga pulsado el botón de puesta en marcha (2).
3. Mientras mantiene pulsado el botón de puesta en marcha, tire del interruptor de seguridad (1) en la dirección del manillar.
4. Suelte el botón de puesta en marcha para poner en marcha la máquina.

4.2 DETENCIÓN DE LA MÁQUINA

1. Suelte el interruptor de seguridad para detener la máquina.

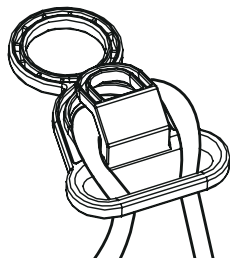
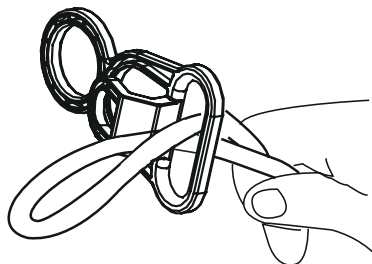
▲ AVISO

Espere hasta que el cilindro se detenga por completo antes de volver a poner en marcha la máquina. No apague y encienda la máquina rápidamente.

▲ AVISO

Desconecte siempre de la fuente de alimentación después de finalizar el trabajo.

4.3 USO DE LA RETENCIÓN DEL CABLE



Para evitar una situación en que el cable alargador se desconecte de la fuente de alimentación durante el funcionamiento, la máquina cuenta con una retención del cable. La retención del cable cuelga de la barra de guía del cable.

i NOTA

Haga un bucle del cable alargador alrededor de la retención del cable antes de conectar el cable alargador en la toma.

Para utilizar la retención del cable:

1. Haga un bucle apretado cerca de la sujeción del cable.
2. Introduzca el bucle a través del orificio inferior de la retención del cable.
3. Mueva el bucle sobre la pinza de retención y tire hacia abajo hasta que el cable se fije a la sujeción del cable.

4.4 VACIADO DEL RECOGEHIERBA

1. Detenga la máquina.
2. Desconecte la máquina de la fuente de alimentación.
3. Abra la puerta de descarga trasera y sujétela.
4. Sostenga el recogehierba por el asa y desengánchelo de las ranuras.
5. Cierre la puerta de descarga trasera.
6. Vacíe el recogehierba.

5 MANTENIMIENTO

▲ AVISO

Antes del mantenimiento, asegúrese de

- Detenga la máquina.
- Espere hasta que se detengan todas las piezas móviles.
- Desconecte la máquina de la fuente de alimentación.

▲ AVISO

No utilice disolventes o detergentes fuertes en la carcasa o los componentes de plástico.

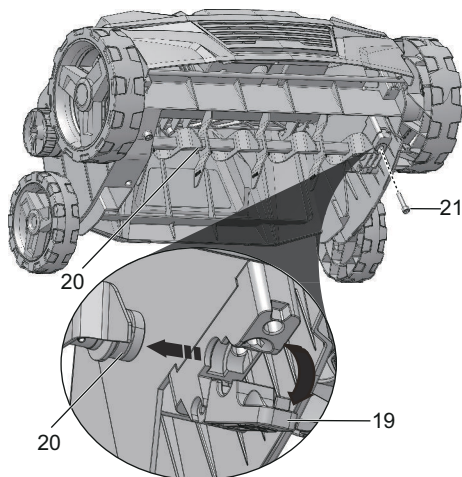
▲ AVISO

No permita que líquidos de frenos, gasolina y otros derivados del petróleo toquen las piezas de plástico. Las sustancias químicas pueden dañar el plástico y hacer que quede inservible.

5.1 MANTENIMIENTO GENERAL

- Antes de cada uso, examine la máquina para comprobar si hay piezas dañadas, ausentes o sueltas como tornillos, tuercas, pernos y dientes.
- Apriete correctamente todos los elementos de fijación y los mandos.

5.2 SUSTITUCIÓN DEL CILINDRO



▲ AVISO

Utilice únicamente un cilindro de repuesto aprobado.

▲ AVISO

Lleve ropa, guantes y gafas adecuados antes de realizar cualquier tarea de mantenimiento.

▲ AVISO

Lleve guantes gruesos o enrolle un trapo alrededor del cilindro cuando lo toque.

1. Detenga la máquina.
2. Asegúrese de que el cilindro se detenga por completo.
3. Desconecte de la fuente de alimentación.
4. Gire la máquina hacia un lado para dejar a la vista el cilindro de la cuchilla (20).
5. Afloje el tornillo (21) para soltar el asa de bloqueo (19).
6. Abra el asa de bloqueo (19).
7. Empuje el cilindro en la dirección de la carcasa para aflojar el otro extremo del cilindro.
8. Retire el cilindro.
9. Coloque un cilindro nuevo en el soporte debajo de la carcasa.
10. Acople correctamente el otro extremo del rodamiento con el soporte y empuje hacia dentro el cilindro.
11. Bloquee el asa de bloqueo (19) y apriete el tornillo (21) para fijar el cilindro.

i NOTA

Siga las instrucciones mencionadas anteriormente al sustituir un cilindro de dientes.

5.3 ALMACENAMIENTO DE LA MÁQUINA

- Limpie la máquina antes del almacenamiento.
- Asegúrese de que el motor no esté caliente cuando almacene la máquina.
- Asegúrese de que la máquina no tenga piezas sueltas o dañadas. Si es necesario, siga estos pasos/estas instrucciones:
 - Sustituya las piezas dañadas.
 - Apriete los pernos.
 - Hable con una persona de un centro de servicio aprobado.
- Almacene la máquina en una zona seca.
- Asegúrese de que los niños no puedan acercarse a la máquina.


6 SOLUCIÓN DE PROBLEMAS

Problema	Posible Causa	Solución
Ruido anormal.	Hay objetos extraños en el cilindro escarificador que están golpeando al escarificador.	Apague el escarificador, espere hasta que el cilindro haya dejado de girar.
Ruido en la unidad. Silbido.	Objetos extraños bloquean el cilindro escarificador.	Retire los objetos extraños.
		Compruebe inmediatamente el escarificador.
Silbido.	La correa derrapa.	Contacte con un centro de servicio autorizado.
El motor no arranca.	El cable alargador no está conectado a la toma de pared.	Reconecte el cable.
	El cable alargador no se ha conectado a la fuente de alimentación.	Conecte el cable alargador a una toma CA de 120V CA, 60 Hz.
Es difícil empujar el escarificador.	Bloqueo de objetos extraños.	Apague el motor, espere hasta que el cilindro de dientes se detenga por completo. Retire los objetos extraños. Tras aproximadamente un minuto, encienda el escarificador.
	La hierba es demasiado alta.	Corte el césped antes de escarificar.
Los resultados de escarificado no son satisfactorios.	Desgaste del diente a resorte.	Ajuste el cilindro del escarificador.
	Fallo de correa.	Contacte con un centro de servicio autorizado.
	El césped está demasiado alto.	Corte el césped antes de utilizar el escarificador.

* Si no puede encontrar la solución a estos problemas, vaya al centro de servicio.

7 DATOS TÉCNICOS

Tensión	120 V
Frecuencia	60 Hz

Velocidad sin carga	3200 RPM
Recorrido de trabajo	14" (36 cm)
Número de cuchillas	20 Pcs
Profundidad de escarificado	- 7/16" / -3/8" / -1/4" / -1/8" / 1/4"
Profundidad de escarificado	- 7/16" / -3/8" / -1/4" / -1/8" / 1/4"
Rueda delantera	8"
Rueda trasera	6"
Peso	28.2 lbs (12.8 kg)
Estructura con doble aislamiento	

El intervalo de temperatura ambiente recomendado:

Elemento	Temperatura
Intervalo de temperatura de almacenamiento del escarificador	32°F (0°C) - 113°F (45°C)
Intervalo de temperatura de funcionamiento del escarificador	32°F (0°C) - 113°F (45°C)

8 GARANTÍA LIMITADA



Por la presente Greenworks garantiza este producto, al comprador original con el comprobante de compra, durante un periodo de tres (3) años frente a defectos en materiales, piezas o mano de obra. A su entera discreción Greenworks reparará o sustituirá cualquiera y todas las piezas que resulten ser defectuosas, con un uso normal, sin coste alguno para el cliente. Esta garantía es válida únicamente para unidades que se hayan utilizado para uso personal que no han sido compradas o alquiladas para uso industrial/comercial y cuyo mantenimiento se ha realizado de acuerdo con las instrucciones del manual del propietario suministrado con el producto nuevo.

ARTÍCULOS NO CUBIERTOS POR LA GARANTÍA:

1. Cualquier pieza que no funcione debido a mal uso, uso comercial, abuso, negligencia, accidente, mantenimiento inadecuado o alteración; o
2. La unidad, si no ha sido utilizada o mantenida de acuerdo con el manual del propietario; o
3. Desgaste normal;
4. Artículos de mantenimiento de rutina tales como lubricantes, afilado de cuchillas;
5. Deterioro normal del acabado exterior debido al uso o la exposición.

LÍNEA DE ASISTENCIA TELEFÓNICA:

Puede contactar con el servicio de garantía llamando a nuestra línea de asistencia telefónica gratuita a 1-888-909-6757.

COSTES DE TRANSPORTE:

Los costes de transporte por el desplazamiento de cualquier unidad o accesorio de equipos eléctricos son responsabilidad del comprador. Es responsabilidad del comprador pagar los costes de transporte de cualquier pieza enviada para su sustitución bajo esta garantía, a menos que dicha devolución sea solicitada por escrito por Greenworks.

Dirección en EE.UU.:

Greenworks Tools
P.O. Box 1238

Mooresville, NC 28115

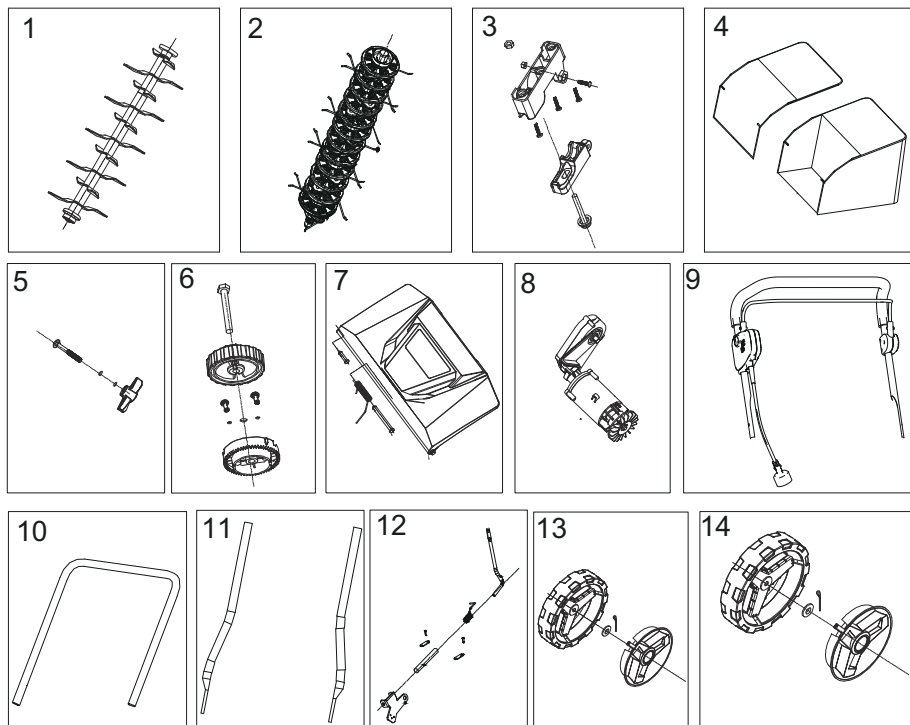
Dirección en Canadá:

Greenworks Tools Canada, Inc.
P.O. Box 93095, Newmarket,
Ontario

L3Y 8K3

9 VISTA DESPIEZADA

ES



Nº	Descripción	Nº pieza	Cant.
1	Cilindro de la cuchilla	R0202580-00	1
2	Cilindro de dientes	R0202581-00	1
3	Conjunto de bloqueo del cilindro	R0202582-00	1
4	Recogehierba	R0202583-00	1
5	Conjunto de fijaciones de asas superior/intermedia	R0202584-00	4
6	Conjunto de mando de asa inferior	R0202585-00	2
7	Aleta de descarga trasera	R0202586-00	1
8	Motor	R0202587-00	1
9	Conjunto de control de asa superior	R0202588-00	1
10	Asa intermedia	R0202589-00	1
11	Asa inferior	R0202590-00	2
12	Palanca de ajuste de profundidad	R0202591-00	1
13	Conjunto de rueda trasera	R0202592-00	2
14	Conjunto de rueda delantera	R0202593-00	2

