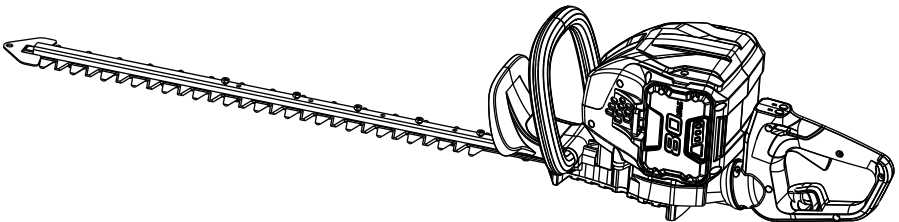



greenworks™

80V LITHIUM-ION CORDLESS HEDGE TRIMMER
2200702




C US
218549

Owner's Manual
TOLL-FREE HELPLINE: 1-855-345-3934
www.GreenWorksTools.com

 Read all safety rules and instructions carefully before operating this tool.

CONTENTS

Contents	2
Specifications	2
Safety information.....	3-7
Symbols.....	8-9
Know your 80v cordless hedge trimmer.....	10
Assembly instruction.....	11-12
Operating instructions.....	13-14
Battery charger.....	15-16
Maintenance.....	17
Environmentally safe battery disposal.....	18
Troubleshooting.....	19
Warranty	20
Exploded View.....	21
Parts List.....	22

SPECIFICATIONS

80V LITHIUM-ION 24" CORDLESS HEDGE TRIMMER

Type.....	Cordless, battery-operated
Blade length.....	24" (61 cm)
Cutting capacity.....	3/4"
Reciprocating speed.....	3400 (±10%) SPM
Weight (without battery)	8.7 lbs.



SAFETY INFORMATION

⚠ WARNING

READ AND UNDERSTAND ALL INSTRUCTIONS. Failure to follow all instructions listed below may result in electric shock, fire and/or serious personal injury.

Save all warnings and instructions for future reference. The term "power tool" in all of the warnings listed below refers to your mains-operated battery-operated (cordless) power tool.

WORK AREA

- **Keep your work area clean and well lit.** Cluttered or dark areas invite accidents.
- **Do not operate power tools in explosive atmospheres, such as in the presence of flammable liquids, gases, or dust.** Power tools create sparks which may ignite the dust or fumes.
- **Keep bystanders, children, and visitors away while operating a power tool.** Distractions can cause you to lose control.

ELECTRICAL SAFETY

- **A battery-operated tool with integral batteries or a separate battery pack must be recharged only with the specified charger for the battery.** A charger that may be suitable for one type of battery may create a risk of fire when used with another battery.
- **Use a battery-operated tool only with specified battery pack.** Use of any other batteries may create a risk of fire.
- **Do not expose power tools to rain or wet conditions.**

PERSONAL SAFETY

- **Stay alert, watch what you are doing, and use common sense when operating a power tool. Do not use tool while tired or under the influence of drugs, alcohol, or medication.** A moment of inattention while operating power tools may result in serious personal injury.
- **Use personal protective equipment. Always wear eye protection.** Protective equipment such as dust mask, non-skid safety shoes, hard hat, or hearing protection used for appropriate conditions will reduce personal injuries.
- **Dress properly. Do not wear loose clothing or jewelry.** Contain long hair. Keep your hair, clothing, and gloves away from moving parts. Loose clothes, jewelry, and long hair can be caught in moving parts.
- **Avoid accidental start-ups. Make sure the switch is in the locked or off position before inserting battery pack.** Carrying tools with your finger on the switch or inserting the battery pack into a tool with the switch on invites accidents.
- **Remove adjusting keys or wrenches before turning the tool on.** A wrench or key that is left attached to a rotating part of the tool may result in personal injury.
- **Do not overreach. Keep proper footing and balance at all times.** Proper footing and balance enable better control of the tool in unexpected situations.



ALWAYS WEAR EYE PROTECTION. A Hedge Trimmer can throw foreign objects into your eyes which could cause permanent eye damage. ALWAYS wear safety goggles or safety glasses that comply with ANSI Z87.1. Ordinary eyeglasses have only impact-resistant lenses...they are NOT safety goggles or glasses.

- **Do not force the power tool. Use the correct power tool for your application.** The correct power tool will do the job better and safer at the rate for which it was designed.
-

SAFETY INFORMATION

- **Do not use tool if switch does not turn it on or off.** A tool that can not be controlled with the switch is dangerous and must be repaired.
- **Disconnect battery pack from tool before making any adjustments, changing accessories or storing the tool.** Such preventive safety measures reduce the risk of starting the tool accidentally.
- **Store idle tools out of reach of children and other untrained persons.** Tools are dangerous in the hands of untrained users.
- **Maintain power tools.** Before using, check for misalignment or binding of moving parts, breakage of parts, and any other condition that may affect the tool's operation. If damaged, have the tool serviced before using. Many accidents are caused by poorly maintained tools.
- **Keep cutting tools sharp and clean.** Properly maintained cutting tools with sharp cutting edges are less likely to be bind and are easier to control.
- **Use only accessories that are recommended by the manufacturer for your tool.** Accessories that may be suitable for one tool may create a risk of injury when used on another tool.

SERVICE

- **Tool service must be performed only by qualified repair personnel.** Service or maintenance performed by unqualified personnel may result in a risk of injury.

SAFETY INFORMATION

FOR HEDGE TRIMMERS

D A N G E R

If the hedge trimmer blade jams or gets caught on an electrical cord or wires, **DO NOT TOUCH THE BLADE FOR ANY REASON!** IT CAN BE ELECTRICALLY LIVE AND CAUSE SERIOUS OR FATAL INJURY! Release or drop the trimmer in the quickest, safest way. If possible, disconnect the dbattery from the tool. If that is not possible, call an electrician, electrical contractor, or the power company for assistance. Failure to heed this danger warning will cause serious personal injury and possible death. **Keep hands away from blade.**

W A R N I N G

Use both hands when operating the hedge trimmer. Using one hand could cause loss of control and result in serious personal injury. ALWAYS keep both hands on the hedge trimmer handles to prevent your hand from touching the blade.

- **Keep all parts of the body away from the cutter blade. Do not remove cut material or hold material to be cut when blades are moving. Make sure the switch is off when clearing jammed material.** A moment of inattention while operating the hedge trimmer may result in serious personal injury.
 - **Carry the hedge trimmer by the handle with the cutter blade stopped. When transporting or storing the hedge trimmer always fit the cutting device cover.** Proper handling of the hedge trimmer will reduce possible personal injury from the cutter blades.
 - **Hold the power tool by insulated gripping surfaces only, because the cutter blade may contact hidden wiring or its own cord.** Cutter blades contacting a "live" wire may make exposed metal parts of the power tool "live" and could give the operator an electric shock.
 - **DO NOT operate the hedge trimmer when you are tired or your visibility is limited.** Do not use the trimmer at night or in reduced light.
 - **Keep cable away from cutting area.** During operation the cable may be hidden in shrubs and can be accidentally cut by the blade.
 - **DO NOT use the hedge trimmer if the handle guard is damaged.**
-

D A N G E R

To avoid serious injury, risk of fire, explosion and danger of electric shock or electrocution:

- **DO NOT probe the charger with conductive materials. The charging terminals hold 120V.**
 - **If the battery pack case is cracked or damaged, DO NOT insert into the charger or tool. Replace the battery pack.**
 - **DO NOT charge these battery packs with any other type of charger.**
 - **DO NOT allow liquid inside the charger.**
 - **DO NOT try to use the charger for any other purpose than what is presented in this manual.**
-

SAFETY INFORMATION

W A R N I N G

If the battery fluid gets in your eyes, flush immediately with clean water for at least 15 minutes. Get immediate medical attention. Do not charge the battery pack in rain or in wet conditions. Do not immerse the tool, battery pack, or charger in water or other liquid.

- **Do not allow the battery pack or charger to overheat.** If they are warm, allow them to cool down. Recharge only at room temperature.
 - **Do not cover the ventilation slots on the top of the charger.** Do not set the charger on a soft surface. Keep the ventilation slots of the charger clear.
 - **Do not allow small metal items or material such as steel wool, aluminum foil, or other foreign particles into the charger cavity.**
 - **Unplug the charger before cleaning and when there is no battery pack in the cavity.**
 - **Do not leave the battery charger or the battery pack in the sun or in a warm environment for extended periods of time.** Keep at normal room temperature.
 - **Do not try to connect two chargers together.**
 - **The battery pack cells may develop a small leak under extreme usage or temperature conditions.** If the outer seal is broken and the leakage gets on your skin:
 - Use soap and water to wash immediately.
 - Neutralize with lemon juice, vinegar, or other mild acid.
-

W A R N I N G (PROPOSITION 65)

Some dust created by power sanding, sawing, grinding, drilling, and other construction activities contains chemicals known to cause cancer, birth defects or other reproductive harm. Some examples of these chemicals are:

- Lead from lead-based paints
- Crystalline silica from bricks and cement and other masonry products, and
- Arsenic and chromium from chemically treated lumber.

Your risk of exposure to these chemicals varies depending on how often you do this type of work. To reduce your exposure to these chemicals, work in a well-ventilated area, and work with approved safety equipment, such as dust masks that are specially designed to filter out microscopic particles.

SAFETY INFORMATION


⚠ WARNING

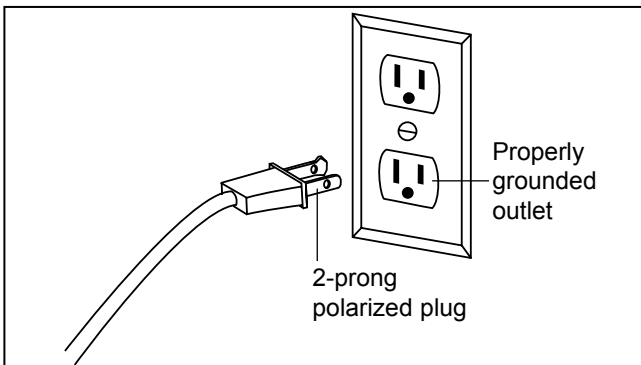
READ AND UNDERSTAND ALL INSTRUCTIONS. Failure to follow safety rules listed below may result in electric shock, fire, and/or personal injury:

- Do not place the charger where the power cord might be stepped on, tripped on, or subjected to damage.
 - A battery-operated tool with integral batteries or a separate battery pack must be recharged only with the specified charger for the battery. A charger that may be suitable for one type of battery may create a risk of fire when used with another battery.
 - Use a battery-operated tool only with the specifically designated battery pack. Use of any other batteries may create a risk of fire.
-

GROUNDING











In the event of a malfunction or breakdown, grounding provides the path of least resistance for electric current, and reduces the risk of electric shock.

This battery charger is double insulated  and has a two-prong polarized plug (one blade is wider than the other). This plug will fit into a polarized outlet only one way. If the plug does not fit fully in the outlet, reverse the plug. If it still does not fit, contact a qualified electrician to install the proper outlet. **DO NOT** change the plug in any way. **IN ALL** cases make sure the outlet is properly grounded. If you are not sure, have a certified electrician check the power outlet.






SYMBOLS

Some of the following symbols may be used on this product. Please study them and learn their meaning. Proper interpretation of these symbols will allow you to operate the product better and safer.

SYMBOL	NAME	DESIGNATION/EXPLANATION
V	Volts	Voltage
A	Amperes	Current
Hz	Hertz	Frequency (cycles per second)
W	Watt	Power
min	Minutes	Time
~	Alternating Current	Type of current
≡	Direct Current	Type or a characteristic of current
	Wet Conditions Alert	Do not expose to rain or use in damp locations
	Read The Operator's Manual	To reduce the risk of injury user must read and understand operator's manual before using this product.
	Safety Alert	Precautions that involve your safety.
	Keep Bystanders Away	Keep all bystanders at least 50 ft. away.
	Eye Protection	Always wear safety goggles or safety glasses that comply with ANSI Z87.1 with side shields and, as necessary, a full face shield when operating this product.
	Ricochet	Thrown objects can ricochet and result in personal injury or property damage.
	Sharp Blade	Keep hands away from sharp, moving blades.
	Class II Construction	Double-insulated construction
	Wet Conditions Alert	Do not expose to rain or use in damp locations.
	Gloves	Wear non-slip, heavy duty gloves.

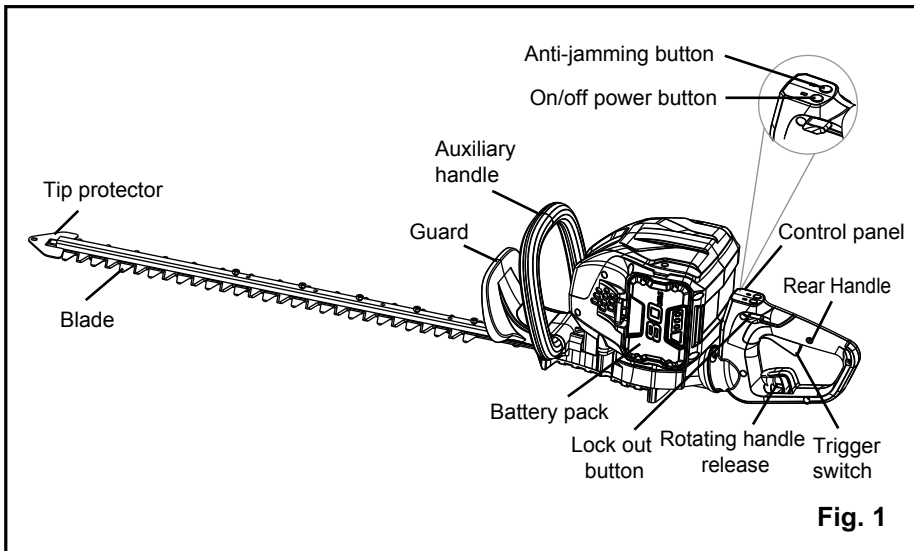
SYMBOLS

The following signal words and meanings are intended to explain the levels of risk associated with this product.

SYMBOL	SIGNAL	MEANING
	DANGER	Indicates an imminently hazardous situation, which, if not avoided, will result in death or serious injury.
	WARNING	Indicates a potentially hazardous situation, which, if not avoided, could result in death or serious injury.
	CAUTION	Indicates a potentially hazardous situation, which, if not avoided, may result in minor or moderate injury.
	CAUTION	(Without Safety Alert Symbol) Indicates a situation that may result in property damage.

SAVE THESE INSTRUCTIONS

KNOW YOUR 80V CORDLESS HEDGE TRIMMER



KNOW YOUR HEDGE TRIMMER (See Figure 1.)

The safe use of this product requires an understanding of the information on the product and in this operator's manual as well as a knowledge of the project you are attempting. Before use of this product, familiarize yourself with all operating features and safety rules.

GUARD

The guard helps to deflect chips or other debris away from the operator's hands and eyes.

TRIGGER SWITCH

The lock out button must be depressed before the trigger switch is depressed. Once the trigger switch is engaged, the lock out button can be released. When the trigger switch is released, the lock out button will automatically return to the locking position.

ASSEMBLY INSTRUCTION

BATTERY

IMPORTANT! The battery pack (2901302 Rated 80VDC,144WH) is not charged when it is purchased. Before using the hedger for the first time, place the battery pack on the battery charger and charge. Make sure to read all safety precautions, and follow the instructions in the Battery Charger section.

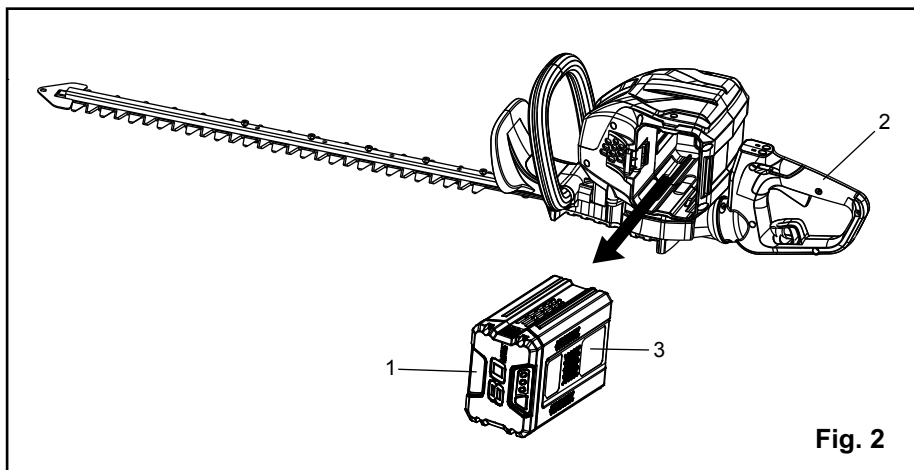
To install the battery (See Figure 2):

1. Align the tongue (3) of the battery pack with the cavity in the handle housing.
2. Grasp the rear handle (2) firmly.
3. Push the battery pack into the handle until the latch locks into place.

NOTE: The battery pack fits snugly into the handle to prevent accidental dislodging. It may require a strong pull to remove.

To remove the battery (See Figure 2):

1. Press the latch button on the battery pack down (1) and hold.
2. Grasp the rear handle (2) firmly. Pull the battery pack out of the handle.



IMPORTANT! DO NOT remove the blade assembly unless it needs sharpening, straightening, or replacing. Take it to a qualified person for repair.

⚠ WARNING

Follow these instructions in order to avoid injury and to reduce the risk of electric shock or fire:

- Replace the battery pack or the charger immediately if the battery case or charger cord is damaged.
- Verify that the switch is in the OFF position before inserting or removing the battery pack.
- Verify that the battery pack is removed and the switch is in the OFF position before inspecting, adjusting, or performing maintenance on any part of the hedger.
- Read, understand, and follow the instructions contained in the section entitled Charging Procedure.

ASSEMBLY INSTRUCTION

UNPACKING

- This product requires no assembly.
- Carefully remove the product and any accessories from the box. Make sure that all items listed in the packing list are included.
- Inspect the product carefully to make sure no breakage or damage occurred during shipping.
- Do not discard the packing material until you have carefully inspected and satisfactorily operated the product.
- If any parts are damaged or missing, please call **1-855-345-3934** for assistance.

PACKING LIST

- Cordless hedge trimmer
- Operator's manual

W A R N I N G

To avoid personal injury:

- Handle the blade with care.
 - Do not place your fingers or hand between the notches in the blade or in any position where they could get pinched or cut.
 - Never service the blade or hedge trimmer unless the battery pack is removed.
 - Do not use if the blade assembly is damaged or bent. Take to a qualified person to straighten, replace, or sharpen.
 - Always keep both hands on the hedge trimmer handles to prevent your hand from touching the blade.
-

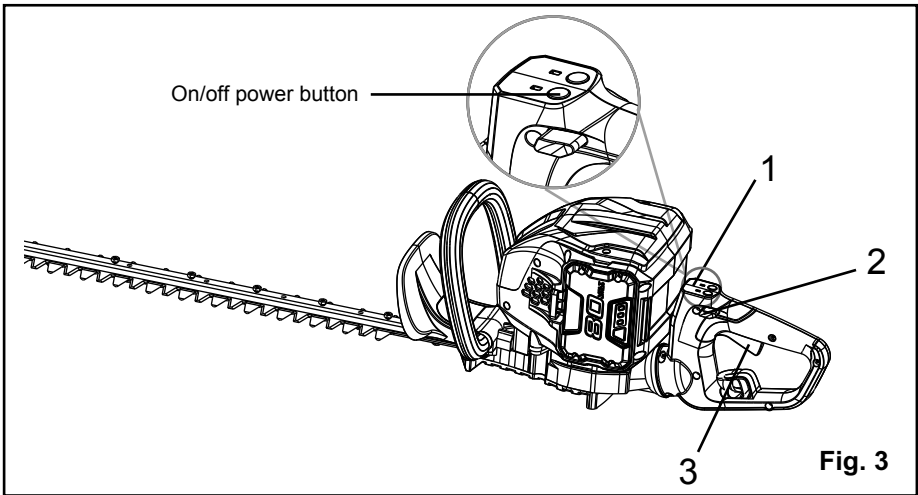
OPERATING INSTRUCTIONS

ON/Off SWITCHES *(See Figure 3.)*

The hedge trimmer has an electronic control panel with on/off button and an anti-jam function. It also has a lock-out button and switch trigger.

1. Push the power button (I/O) to turn the unit on.
2. Slide the lock-out button (2) into the handle and hold.
3. Squeeze the trigger switch (3). The hedge trimmer will turn ON.
4. Release the lock-out button. The hedge trimmer will stay on as long as the trigger switch is engaged.
5. The hedge trimmer will stop if you release the trigger handle.

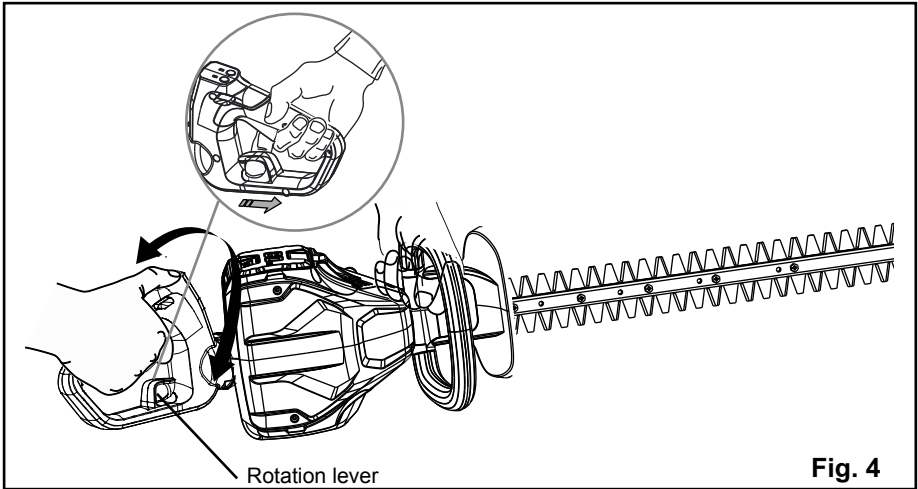
IMPORTANT: If the hedge trimmer is accidentally dropped, the hedge trimmer will turn OFF and the blade will coast to a stop after several seconds. The hedge trimmer will then be locked OFF again.



OPERATING INSTRUCTIONS

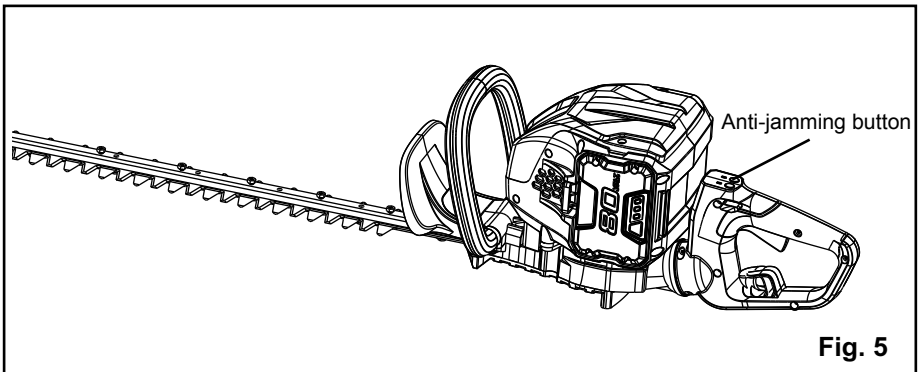
USING THE ROTATING REAR HANDLE (See Figure 4.)

1. Place the hedge trimmer on a flat and even surface.
2. Make sure that you released the trigger.
3. Pull the rotation lever and begin turning the rear handle. Release the rotation lever and turn the handle 90 degrees to either side until it clicks into place and the lever locks in.
4. To turn the handle back to center, pull the rotation lever again, turn the handle slightly, release the rotation lever and continue turning the handle until it locks into place.



ANTI-JAMMING FUNCTION (See Figure 5.)

If the branch is blocked in the blade, press the anti-jamming button on the control panel, the blade will reverse twice, and the branch should be released.



BATTERY CHARGER

SPECIFICATIONS

80V charger: 2901402

Input: 120VAC, 50/60Hz, Max. 5A

Output: 80VDC, Max. 4.5A

Weight: 3.3 lbs (1.5kg)

CHARGING PROCEDURE (See Figure 6.)

NOTE: The battery is not shipped fully charged. It is recommended to fully charge before first use to ensure that maximum run time can be achieved. This lithium-ion battery will not develop a memory and may be charged at any time.

Low voltage charging:

If the battery has been stored with little to no charge for a long period of time, the charger will go into recovery mode, which will take 20 hrs to fully charge the battery. This will enhance the life of the battery. Once it is fully charged, the next charge will return to standard charging.

A fully discharged battery pack will require the allotted time as stated in the battery manual. Plug the charger into an AC power outlet.

- Insert the battery into the charger.

This is a diagnostic charger. The Charger LED Lights will illuminate in specific order to communicate the current battery status. They are as follows:

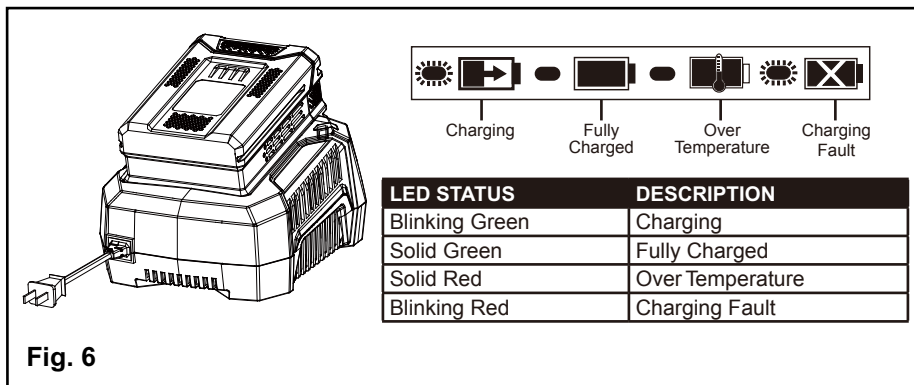


Fig. 6

False defect note:

When the battery is inserted into the charger and the status LED blinks RED, remove the battery from the charger for 1 minute, then reinsert. If the status LED blinks GREEN, then the battery is properly charging. If the status LED is still blinking RED, remove the battery and unplug the charger for 1 minute. After 1 minute, plug in the charger and reinsert the battery. If the status LED blinks GREEN, then the battery is properly charging. If the status LED is still blinking RED, the battery is defective and needs to be replaced.

BATTERY CHARGER

CHECKING THE CHARGE

If the battery pack does not charge properly:

- Check the current at the power outlet with another tool . Make sure that the outlet is not turned off.
- Check that the charger contacts have not been shorted by debris or foreign material.
- If the air temperature is above 104°F or below 45°F, move the charger and battery pack to a room temperature location.

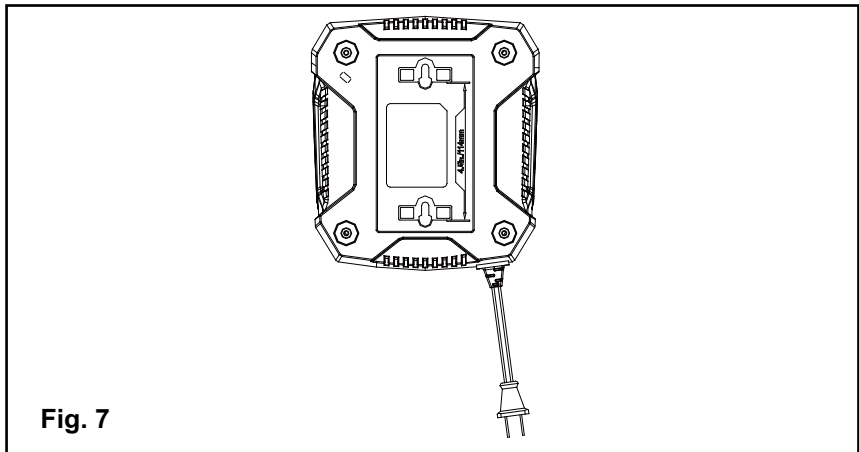
⚠ WARNING

If the battery is inserted into the charger when warm or hot, the CHARGING LED indicator light on the charger may switch on and illuminate RED. If this occurs allow the battery to cool inside of the charger for up to 30 minutes. Charging should automatically start once battery has cooled.

CHARGER MOUNTING *(See Figure 7.)*

1. This charger can be installed hanging on a wall using two #8 screws (not included).
2. Locate the placement for the charger to be wall mounted.
3. If fastening to wood studs use 2 wood screws (not included) .
4. Drill two holes on center 4.5 in. apart ensuring that they are vertically aligned.
5. If fastening to drywall use wall anchors (not included) and screws to secure the charger to the wall.

Note: If the battery and the charger won't be used for a long time, remove the battery from the charger and pull out the AC power plug.



MAINTENANCE

WARNING

To avoid risk of fire, electric shock, or electrocution:

- Do not use a damp cloth or detergent on the battery or battery charger.
 - Always remove the battery pack before cleaning, inspecting, or performing any maintenance on the hedge trimmer.
-

Cleaning

1. Wipe the outside of the hedge trimmer with a dry, soft cloth. Do not hose down or wash with water.
2. Scrape the guard to remove dried clippings and mud.
3. Brush or blow dust, debris, and grass clippings out of the air vents. Keep them free of obstruction.

Battery Pack

- Store the battery pack fully charged.
- Once the charging light turns green, remove the battery from the charger.
- Do not store the battery pack on the tool.
- After charging, the battery pack may be stored in the charger, as long as the charger is not plugged in.

Charger Maintenance

- Keep the charger clean and clear of debris. Do not allow foreign material to get into the recessed cavity or onto the contacts. Wipe the charger clean with a dry cloth. Do not use solvents or water, and do not place the charger in wet conditions.
- Unplug the charger when there is no battery pack in it.
- Fully charge the batteries before placing them in storage.
- Store the charger at normal room temperature. Do not store it in excessive heat. Do not use the charger in direct sunlight. Recharge at room temperature between 45°F and 104°F (7°C and 40°C). If the battery pack is hot, allow it to cool down before recharging.

ENVIRONMENTALLY SAFE BATTERY DISPOSAL



The following toxic and corrosive materials are in the batteries used in this hedge trimmer battery pack: **Lithium-Ion, a toxic material.**

W A R N I N G

All toxic materials must be disposed of in a specified manner to prevent contamination of the environment. Before disposing of damaged or worn out Lithium-Ion battery packs, contact your local waste disposal agency, or the local Environmental Protection Agency for information and specific instructions. Take the batteries to a local recycling and/or disposal centre, certified for lithium-ion disposal.

W A R N I N G

If the battery pack cracks or breaks, with or without leaks, do not recharge it and do not use. Dispose of it and replace with a new battery pack. **DO NOT ATTEMPT TO REPAIR IT!** To avoid injury and risk of fire, explosion, or electric shock, and to avoid damage to the environment:

- Cover the battery's terminals with heavy-duty adhesive tape.
 - DO NOT attempt to remove or destroy any of the battery pack components.
 - DO NOT attempt to open the battery pack.
 - If a leak develops, the released electrolytes are corrosive and toxic. DO NOT get the solution in the eyes or on skin, and do not swallow it.
 - DO NOT place these batteries in your regular household trash.
 - DO NOT incinerate.
 - DO NOT place them where they will become part of any waste landfill or municipal solid waste stream.
 - Take them to a certified recycling or disposal centre.
-

TROUBLESHOOTING

PROBLEM	POSSIBLE CAUSE	SOLUTION
Motor fails to start when switch trigger is depressed.	Battery is not secure.	To secure the battery pack, make sure the latches on the top of the battery pack snap into place.
	Battery is not charged.	Charge the battery pack according to the instructions included with your model.
Motor runs, but cutting blades do not move.	Hedger damaged. Do not use hedge trimmer.	Call for technical service.
Hedge trimmer smokes during operation.	Hedger damaged. Do not use hedge trimmer.	Call for technical service.
Motor hums, blades do not move.	Debris or other may be jamming the blades	Remove battery, clear debris blockage from blades.

WARRANTY



GREENWORKS™ hereby warranties this product, to the original purchaser with **proof of purchase**, 4 year consumer warranty, 1 year commercial warranty against defects in materials, parts or workmanship. GREENWORKS™, at its own discretion will repair or replace any and all parts found to be defective, through normal use, free of charge to the customer. This warranty is valid only for units which have been used for personal use that have not been hired or rented for industrial/commercial use, and that have been maintained in accordance with the instructions in the owners' manual supplied with the product from new.

ITEMS NOT COVERED BY WARRANTY:

1. Any part that has become inoperative due to misuse, abuse, neglect, accident, improper maintenance, or alteration; or
2. The unit, if it has not been operated and/or maintained in accordance with the owner's manual; or
3. Normal wear, except as noted below;
4. Routine maintenance items such as lubricants, blade sharpening;
5. Normal deterioration of the exterior finish due to use or exposure.

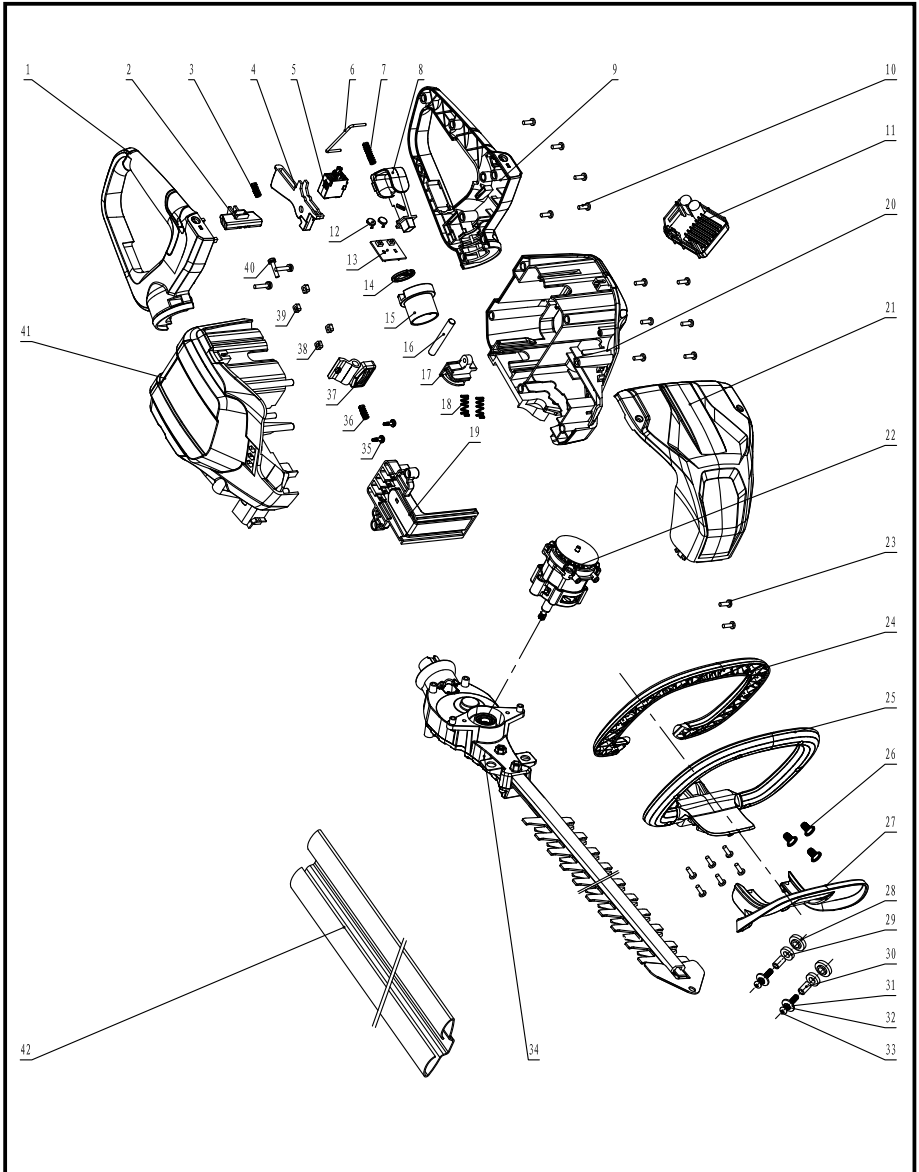
GREENWORKS HELPLINE (1-855-345-3934):

Warranty service is available by calling our toll-free helpline, 9am to 5pm EST. at **1-855-345-3934**.

TRANSPORTATION CHARGES:

Transportation charges for the movement of any power equipment unit or attachment are the responsibility of the purchaser. It is the purchaser's responsibility to pay transportation charges for any part submitted for replacement under this warranty unless such return is requested in writing by GREENWORKS.

EXPLODED VIEW



PARTS LIST

ITEM NO.	PART NO.	DESCRIPTION	QTY
1	34104897	Right handle	1
2	34108897	Lock-out button	1
3	33202896	Lock-out spring	1
4	34107897	Trigger switch	1
5	36301815	Switch	1
6	33400897	Steel wire	1
7	32903897	Spring	1
8	34106897	Knob	1
9	34105897	Left handle	1
10	3220505D	Screw ST4*16-F	17
11	36200897	PCB board	1
12	34114815-2	Button	2
13	36201897	Board	1
14	34201897	Shock pad	1
15	34115897	Sleeve	1
16	322031075	Pin	1
17	34120897	Board	1
18	33308877	Spring	1
19	34119897	Insert seat	1
20	34112897	Left housing	1
21	34103897	Top cover	1
22	36101897	Brushless DC motor	1
23	3220511D	Screw M4*12	2
24	34117697	Auxiliary handle upper cover	1
25	34117697	Auxiliary handle lower cover	1
26	3220163	Screw ST4*8-F	3
27	34110897	Guard	1
28	34206897	Shock pad	2
29	34205897	Shock pad	2
30	33309897	Sleeve	2
31	34901897	Washer	2
32	32916131	Spring washer	2
33	32201659	Bolt M5*25	6
34	31108897	Gear assembly	1
35	32201897	Screw ST3.5*12	2
36	33904511-1	Spring	1
37	34110811-2	Battery pack button	1
38	32201504	Nut M5	4
39	32203166	Nut	4
40	3220131A	Screw M4*20	9
41	34111897	Right housing	1
42	34113897	Blade guard	1



TOLL-FREE HELPLINE: 1-855-345-3934

Rev: 02 (07-03-12)



Printed in China on 100% Recycled Paper